



# Bosch Nexxt<sup>®</sup> Series MISTCARE<sup>™</sup> Gas Dryers



**BOSCH**

Invented for life



en Dryer: Operating, Care and Installation Instructions  
fr Seche-linge: Notice d'utilisation, de maintenance et d'installation  
es Secador: Operación, cuidado y instrucciones para la instalación

# Features and Benefits of Your New Dryer

## DUOTRONIC® Technology

Moisture and temperature levels are constantly monitored to ensure precise drying results for a wide array of fabrics. Everything from T-shirts to baby blankets come out warm and soft every time.

Constant monitoring ensures the lowest energy usage possible, cutting consumption by up to 50% per year.

## WRINKLEBLOCK™

Sometimes you can't get your laundry right when the buzzer rings. Extended **WRINKLEBLOCK™** gives you one hour of intermittent tumbling, preventing creases from setting in and, ultimately, reducing ironing time.

## Stainless Steel Drum

Nexxt™ dryers feature smooth stainless steel drums for the gentlest of care.

## 180° Door Hinge

Finally, a dryer door that completely opens up to a full 180° – making it easier to load and unload laundry. Washer and dryer doors also open in opposite directions, so when set up side by side, transferring your damp laundry to the dryer becomes an effortless task.

## Quiet Performance

Bosch laundry appliances use brushless motors, suspended pump systems and special sound-deadening material to keep them exceptionally quiet while in operation. Which means they can be installed virtually anywhere in the home without causing a disturbance.

## Dryer Rack

The Nexxt™ dryer rack protects the most delicate fabrics or a pair of tennis shoes, and it dries without the tumbling. It is standard on the Nexxt™ Premium model or available as an accessory.

## Lint Trap

Our lint trap is conveniently located in the appliance housing below the dryer door for easy access. The lint trap's fine mesh filter captures even the smallest lint particles. And to increase drying efficiency, there's also a lint filter light that illuminates should the filter need immediate cleaning.

## MISTCARE™

**MISTCARE™** programs utilize added moisture to help relax fabric, ease wrinkling, and freshen cotton blend laundry items to reduce odor.

## AQUASTOP® Hose

The **AQUASTOP®** Hose stops water flow in the event the hose experiences flood-type leakage.



**WARNING: For your safety the information in this manual must be followed to minimize the risk of fire or explosion or to prevent property damage, personal injury or death.**

- Do not store or use gasoline or other flammable vapors and liquids in the vicinity of this or any other appliance.
- **WHAT TO DO IF YOU SMELL GAS**
  - Do not try to light any appliance.
  - Do not touch any electrical switch. Do not use any phone in your building.
  - Clear the room, building or area of all occupants.
  - Immediately call your gas supplier from a neighbor's phone. Follow the gas supplier's instructions.
  - If you cannot reach your gas supplier, call the fire department.
- Installation and service must be performed by a qualified installer, service agency or the gas supplier.

---

# Table of Contents

<b>Definitions</b> .....	<b>4</b>
<b>IMPORTANT SAFETY INSTRUCTIONS</b> .....	<b>4</b>
GROUNDING INSTRUCTIONS .....	5
<b>INSTALLATION INSTRUCTIONS</b> .....	<b>6</b>
Introduction .....	6
Information concerning waste disposal .....	6
Before installing the dryer .....	6
Installation – step by step .....	7
Electrical connection .....	10
Gas connection .....	10
Exhaust air connection .....	11
Accessories .....	13
Preparing to transport the dryer – step by step .....	14
<b>OPERATING INSTRUCTIONS</b> .....	<b>15</b>
Panel .....	15
<b>Additional Safety information</b> .....	<b>16</b>
<b>Protection of the environment</b> .....	<b>16</b>
<b>Laundry</b> .....	<b>16</b>
Identification of fabrics .....	16
Drying tips .....	16
<b>Program Selection Table</b> .....	<b>17</b>
Options .....	17
Indicator of program sequence .....	17
Automatic programs .....	18
MISTCARE programs .....	18
Special programs .....	18
Time programs .....	18
<b>Operation</b> .....	<b>20</b>
Using the dryer .....	20
Cleaning the lint filter .....	21
Using the dryer rack (Option) .....	21
<b>Cleaning and care</b> .....	<b>23</b>
Cleaning the dryer .....	23
Cleaning the exhaust duct .....	23
Cleaning the moisture sensor .....	23
Cleaning the bearing shield .....	23
Change the light bulb .....	24
<b>Troubleshooting</b> .....	<b>25</b>
SERVICE and REPAIR .....	26
<b>STATEMENT OF LIMITED PRODUCT WARRANTY</b> .....	<b>27</b>

Congratulations on having selected a Bosch clothes dryer, the choice of those that demand exceptional drying performance and care from their clothes dryer.

This dryer complies with ANSI Z21.5.1/CGA 7.1-2002 Clothes Dryers Vol. 1.

A distinctive feature of your dryer is low energy consumption.

An easy operation philosophy, a variety of customized drying programs and a solid touch and feel make this appliance a user-friendly assistant in your household.

The Bosch dryers offer the following standard features:

- High efficiency precision drying system
- Large stainless steel drum with a capacity of up to 17.6 lbs (8 kg)
- Large port hole (18"/457 mm), and door interlock with automatic drum stop function
- Exceptionally quiet operation
- Sensor controlled auto cycles
- Timed cycles  
500 Series Dryer: 30 and 60 minutes  
800 Series Dryer: 10 to 150 minutes (in increments of 10 minutes)
- Short program for ½ load (25 minutes) (800 Series only)

Each dryer which leaves our factory has undergone a thorough performance test and is in full working condition. If you have any questions especially concerning installation of the dryer – our customer service team will be happy to assist you.

Further information and a selection of our products can be found on our web site:  
[www.boschappliances.com](http://www.boschappliances.com)

#### Information

Please read and follow these operating and installation instructions and all other information enclosed with the dryer.

## Definitions



### WARNING

**WARNING** – This indicates that death or serious injuries may occur as a result of non-observance of this warning.



### CAUTION

**CAUTION** – This indicates that minor or moderate injuries may occur as a result of non-observance of this warning.

### NOTICE

**NOTICE** – This indicates that damage to the appliance or property may occur as a result of non-observance of this warning.



This symbol is used to draw the user's attention to important matters.

## ⚠ IMPORTANT SAFETY INSTRUCTIONS



### WARNING

To reduce the risk of fire, electric shock, serious injury or death to persons and /or damage when using your dryer, follow basic precautions, including the following.

1. Read all instructions before using the dryer. Bosch dryers are provided with Operating, Care and Installation Instructions.
2. Do not dry articles that have been previously cleaned, washed, soaked, or spotted with gasoline, dry cleaning solvents, other flammable, or explosive substances as they give off vapors that could **ignite** or explode.

To reduce the risk of **fire**, clothes, cleaning rags, mop heads and the like which have traces of any

flammable substance, such as vegetable oil, cooking oil, petroleum based oils or distillates, waxes, fats, etc., must not be placed in the dryer. These items may contain some flammable substance(s) even after washing, which may smoke or catch **fire** by themselves.

3. The dryer must only be used for its intended purpose.
4. Do not allow children to play on or in the appliance at any time; severe **injury** or **death** could result. Children should be kept a safe distance away from appliances at all times. Children should only be permitted within an

appliance's vicinity if under close, constant adult supervision.

5. When children become old enough to operate the appliance, it is the legal responsibility of the parents or legal guardians to ensure that they are instructed in safe practices by qualified persons.
6. BEFORE THE APPLIANCE IS REMOVED FROM SERVICE OR DISCARDED, REMOVE THE DOOR TO THE DRYING COMPARTMENT.
7. Do not reach into the appliance if the drum is rotating.
8. Do not install or store this appliance where it will be exposed to the weather or the elements, such as water/moisture, dirt, corrosive/salt air, and excessive cold.
9. Do not tamper with the controls.

10. Do not repair or replace any part of the appliance or attempt any service unless specifically recommended in the user-maintenance instructions or in published user repair instructions that you understand and have the skills to carry out.
11. Do not use fabric softeners or products to eliminate static unless recommended by the fabric manufacturer.
12. Do not use heat to dry articles containing foam rubber (may be labeled latex foam) or similarly textured rubber-like materials. Foam rubber materials can **ignite** by spontaneous combustion.
13. Do not dry articles containing spunbonded olefin. Spunbonded olefin can melt and can **ignite** by spontaneous combustion.
14. Clean lint screen before and after each load. Excess lint buildup can damage the dryer and create a potential **fire hazard**.
15. Keep area around the exhaust opening and adjacent surrounding areas free from the accumulation of lint, dust and dirt. An obstructed port might reduce the airflow and cause overheating.
16. The interior of the machine and exhaust duct should be cleaned periodically by qualified service personnel.
17. Removing any panel or cover, including the light cover, may expose live electrical circuits. Removing any panel, including the round service panel in the front, can also expose sharp edges and points as well as hot surfaces. Always unplug the dryer from the electrical supply before attempting any service. Disconnect the power cord by grasping the plug, not the cord.
18. Store all laundry chemicals and aids in a cool dry place according to the manufacturer's instructions. Make sure children cannot reach them. Gasoline, combustible materials and flammable vapors, liquids, and substances that pose a fire hazard-must not be stored near the dryer.
19. Do not sit on top of the dryer.
20. To avoid fire hazards, do not use an extension cord, an adapter, or any other non-manufacturer supplied electrical connector or cord, to connect the dryer to the electrical supply. Dryers are powerful machines, and must have dedicated electrical outlets.
21. Always check clothing pockets and shake out all laundry items before placing into dryer; inappropriate objects can damage the dryer and certain items like cigarette lighters can pose a **fire hazard**.
22. To reduce the risk of fire and electrical shock hazards, do not use the dryer if the power cord is frayed or damaged, or if the plugs are loose.
23. Do not operate the dryer if any guards and/or panels have been removed or if any parts are missing or broken.
24. Do not bypass any safety devices.
25. Do not use a plastic or non-metal flexible duct with this dryer. Plastic or non-metal flexible duct is a potential **fire hazard**.
26. Do not operate this dryer until you are sure that the dryer has been installed according to the INSTALLATION INSTRUCTIONS and that installation and electrical grounding are in compliance with all local regulations and/or other applicable regulations and requirements.
27. Failure to install, maintain and/or operate the dryer according to the manufacturer's instructions may result in **injury** and/or damage.
28. To avoid floor damage and mold growth, do not let spills or splashout to cause standing water around or under the appliance.
29. No other fuel-burning appliances shall be installed in the same closet as the dryer.
30. Make sure that all water connections to the dryer have a shut-off valve that is readily accessible. Close the appliance water shut-off valve(s) at the end of each day of use.
31. Check the fill hose connections on a regular basis to ensure that they are tight and not leaking.

#### Notes:

- A The IMPORTANT SAFEGUARDS and WARNINGS presented in this manual do not cover all possible conditions that may occur. Common sense, caution and care must be exercised when installing, maintaining or operating the dryer.
- B Always contact your dealer, distributor, service agent or the manufacturer about any problems or conditions that you do not understand.
- C Follow the Safety Information provided in the INSTALLATION INSTRUCTIONS and the OPERATING INSTRUCTIONS.

## GROUNDING INSTRUCTIONS

This appliance must be grounded. In the event of malfunction or breakdown, grounding will reduce the risk of electric **shock** by providing a path of least resistance for the electric current.

This appliance is equipped with a cord having an equipment-grounding conductor and a grounding plug. The plug must be plugged into an appropriate outlet that is properly installed and grounded in accordance with all local codes and ordinances.

#### For the State of Massachusetts Installations:

1. Installation must be performed by a licensed plumber or gas fitter licensed by the state, province or region where this appliance is being installed.
2. Shut-off valve must be a "T" handle gas cock.
3. Flexible gas connector must not be longer than 36 inches (0.91 m).

## WARNING

Improper connection of the equipment grounding conductor can result in a risk of electric **shock**.

Check with a qualified electrician or service person if you are in doubt as to whether the dryer is properly grounded.

DO NOT modify the plug provided with the appliance. If it will not fit the outlet, have a proper outlet installed by a qualified electrician.

## KEEP THESE INSTRUCTIONS FOR FUTURE REFERENCE.

In case of change of ownership, manual should be conveyed with the dryer.

## SAVE THESE INSTRUCTIONS

# INSTALLATION INSTRUCTIONS

## Introduction

Read these installation instructions completely and carefully. They will save you time and effort and help to ensure optimum dryer performance. Be sure to observe all listed warnings and cautions.

## WARNING

WARNING – Risk of Fire.

- Clothes dryer installation must be performed by a qualified installer.
- Install the clothes dryer according to the manufacturer's instructions and local codes.
- Do not install a clothes dryer with flexible plastic venting materials. If flexible metal (foil type) duct is installed, it must be of a specific type identified by the appliance manufacturer as suitable for clothes dryers. Flexible venting materials are known to collapse, be easily crushed and trap lint. These conditions will obstruct clothes dryer airflow and increase the risk of fire.
- To reduce the risk of severe injury or death, follow all installation instructions.
- SAVE THESE INSTRUCTIONS.

In addition to these instructions the dryer must be installed in accordance with all local codes or, in the absence of a local code:

- In the **U.S.A.**, in accordance with the National Electric Code, ANSI/NFPA70 – latest edition/State and Municipal codes and/or local codes.
- In **Canada**, in accordance with the Canadian Electric Code C22.1 – latest edition/Provincial and

Municipal codes and/or local codes.

The gas installation must conform with local codes, or in absence of local codes, with the National Fuel Gas Code, ANSI Z223.1/NFPA 54 or the Canadian Natural Gas and Propane Installation Code CAN/CSA-B149.1

### Note:

This gas dryer has been UL and C-UL listed for safe operation up to a height of 7,700 ft. without any modifications to components for natural gas.

## Information concerning waste disposal

### Disposal of the packaging

## WARNING

Keep children away from shipping carton and packaging components. Danger of suffocation from plastic foil and folding cartons.

All packaging materials are environmentally friendly and can be reused. Please dispose of packaging in an environmentally friendly manner.

Please ask your dealer or inquire at your local authority about the current means of disposal.

### Disposal of the old appliance

## WARNING

If appliance is no longer usable, pull out main plug, cut off power cord and discard with main plug. To prevent children from locking themselves in the appliance, remove the door.

Old appliances are not worthless rubbish! Valuable raw materials can be reclaimed from environmentally friendly recycling.

Please ask your dealer or inquire at your local authority about the current means of disposal.

## Before installing the dryer

Before installing the dryer to a previously used ductwork system make sure the system is clean. Professional ductwork cleaning is recommended annually and also when attaching your dryer to a previously used ductwork system.

Maintaining clean ductwork will reduce drying time and will improve drying performance.

### Unpacking the appliance

## CAUTION

The dryer is very heavy. Do not lift it by yourself. Do not lift the appliance by projecting components (e.g. door) – due to risk of breakage.

## NOTICE

Remove the appliance packaging carefully to prevent damage to the surfaces.

Check the dryer for transportation damage. Do not install a dryer which is visibly damaged. If in doubt, contact your dealer.

## Supplied components

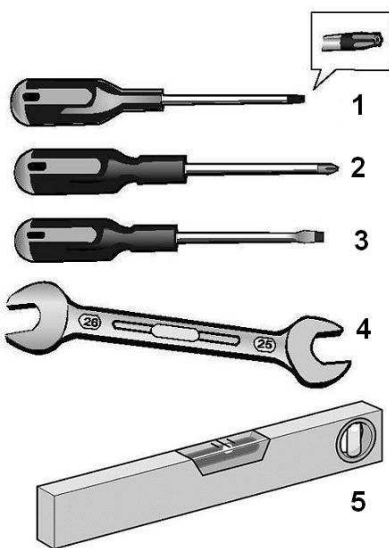
### NOTICE

After removing the packaging, immediately remove any objects from the drum.

## Useful Tools

The following tools are helpful during installation:

1. T20 star head screwdriver
2. Philips screwdriver (#2)
3. Flat blade screwdriver
4. Open end wrench 1 in. (25mm)
5. Bubble level



## Checklist for Installation

1. Unpack the dryer.
2. Remove all objects from the drum.
3. Check the dryer for visible damage.
4. Position the dryer near the installation location (see page 7).
5. If required, change the door hinge to the left (see page 13).
6. If required, install the side or bottom exhaust air outlet on the dryer (see page 13).
7. Have the gas supply connected by an qualified technician (see page 10).
8. Check for "Y" connection, short hose and AQUASTOP® Hose

included with the dryer packaging (see page 9).

9. Connect the water supply to the back of the dryer (see page 8 for detailed instructions).
10. Install exhaust ductwork if necessary.

Follow the installation instructions supplied by the appropriate ductwork parts manufacturers (see page 13)

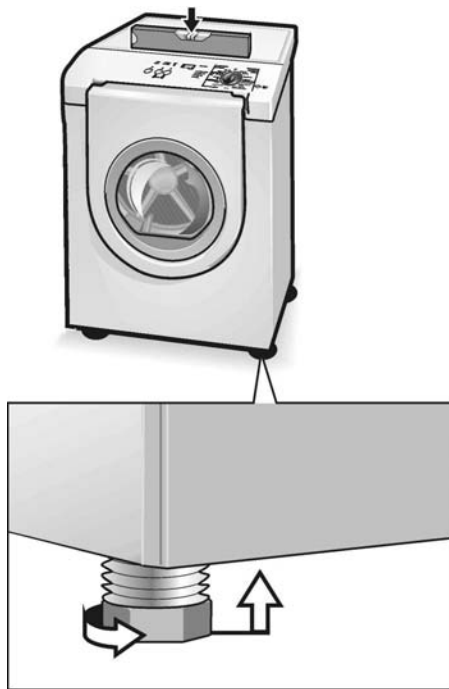
**i** If space is very restricted, it is recommended to fit the initial parts of the exhaust duct to the dryer before the dryer is moved to its final installation location.

11. Move the dryer to its final location.

### NOTICE

Do not slide dryer across the floor if height-adjustable feet have been extended. Feet and/or dryer base may be damaged if dryer is slid across floor with height-adjustable feet extended.

12. Position and then level the dryer.



The dryer should be level with all four feet firmly on the ground. The dryer must not wobble. If the dryer is not level or if it does wobble, the feet must be adjusted. Adjust the height-adjustable feet until the dryer does not rock and is level, both front-to-back and side-to-side.

- After making preliminary adjustments, press down on each corner of the dryer to make sure the unit does not wobble. If it does wobble, lower the foot on that corner until the foot touches the floor firmly.

Install the dryer and level side to side and front to back. Use a bubble level. Never remove the height-adjustable feet!

13. Connect the exhaust duct to the exhaust air outlet on the dryer (see page 11).

14. Insert the dryer electrical plug into the wall receptacle (see page 10).

15. Open the shut-off valve.

16. Read the operating instructions to understand how your dryer operates. (see page 15).

17. Conduct an appliance test:

- Check that the drum is empty.
- Close the dryer door.
- Switch the dryer to "Extra Dry" and then press the "Start" button.
- After 3–5 minutes press the Stop button and open the door.
- If the interior of the dryer feels warm, the dryer has been connected properly. Switch the dryer to "OFF".
- If the dryer does not work, switch the dryer to "OFF". Look in the troubleshooting section (page 25) and find the fault.

## Installation location

### WARNING

- DO NOT install the dryer:
- outdoors
  - in an environment with dripping water,
  - near flammable materials,
  - in rooms which are at risk of frost,
  - in rooms which may contain gas or other fuels,
  - in cupboards with lockable doors or in alcoves.
  - with other fuel-burning appliances in the same closet.

The installation room must be well ventilated, otherwise the dryer will operate below optimum performance.

Do not operate the dryer at temperatures above 104°F (40°C) or below 41°F (5°C). Low temperatures affect the automatic program sequence and may prolong the drying times.

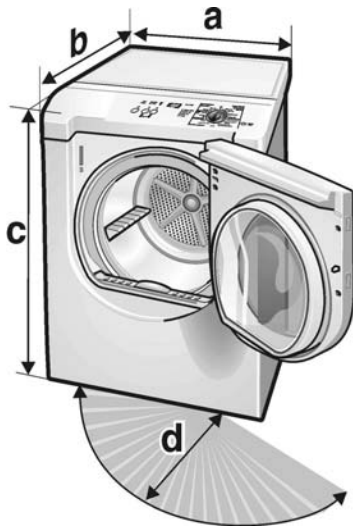
The installation surface for the dryer must be clean, level and firm. Do not install the appliance on carpets!

Compensate for uneven floors with the height-adjustable feet.

The size of the installation area depends on the dimensions of the dryer. Ensure that there is adequate room for the swivel range of the door!

## ⚠ WARNING

If installed in a garage, the dryer must be installed on a substantial platform at least 18 inches (46 cm) above the floor to reduce the likelihood of igniting flammable vapors and be located or protected so it cannot be damaged by a moving vehicle



	Dimension	Weight
a	27.0" (686 mm)	125 lbs (56 kg)
b	31.8" (808 mm)	with packaging
c	37.2" (945 mm)	
d	19.7" (500 mm)/ angle 170 – 180°	143 lbs (64 kg)

If installing the dryer in a closet, observe the minimum distances according to the following table:

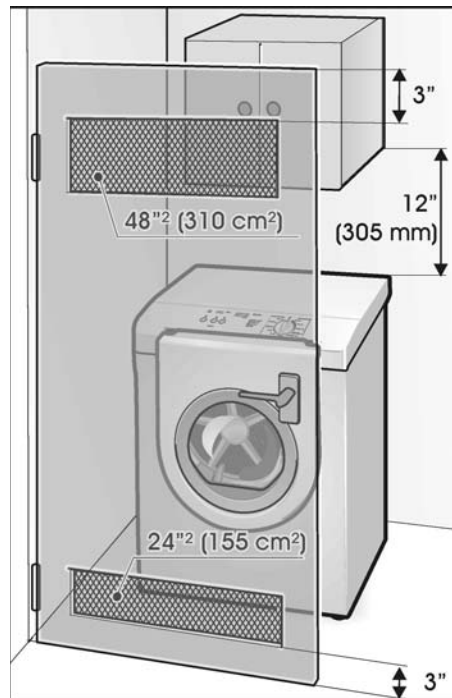
### Minimum Installation Clearances

	Closet
Sides	0" (0 mm)
Top	12" (305 mm)
Rear*	0" (0 mm)

\* as close to wall as gas piping or venting or water connection will allow.

Important information concerning minimum distances:

- Depending on the location of the exhaust air connection, an additional minimum distance of 5½ inch (14 cm) must be provided on this side for ducts/brackets (see page 13).
- Benefits of maintaining greater distance (clearances) than the minimum shown include:
  - reduction of the risk of mold formation behind the appliance.
  - reduced noise transmission
  - facilitation of installation and service.
  - more air cools the dryer, keeps the dryer from overheating, and improves drying performance.
- If the dryer is installed in a small room, the doors of the room must be fitted with vents of a specified minimum size. Refer to the following figure for additional information.



The dryer door is delivered with hinges on the right.

If the door hinge is to be changed over to the left see page 13.

## Water Connection

Attach the dryer water supply hose to a cold water faucet (the faucet must be located within 4 ft (1.2 m) of the water inlet valve on the back of the dryer).

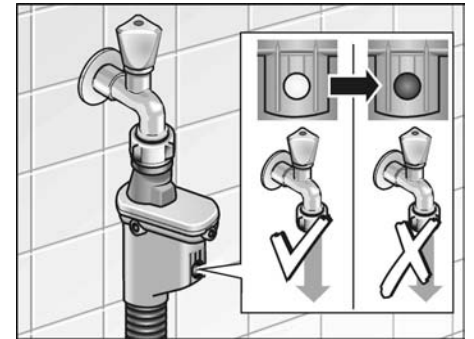
It is recommended to have a water supply pressure of 20 – 100 psi (1.37 – 6.89 bar) for best performance.

A “Y” connector is provided along with a short hose (if needed) in order to connect it to the cold water faucet.

## AQUASTOP® Hose

### NOTICE

Properly secured EXTERNAL hose connections are the sole responsibility of the customer. The manufacturer assumes no responsibility or liability for improperly installed EXTERNAL hose or other connections.



The AQUASTOP® Hose prevents potential flooding if the hose leaks.

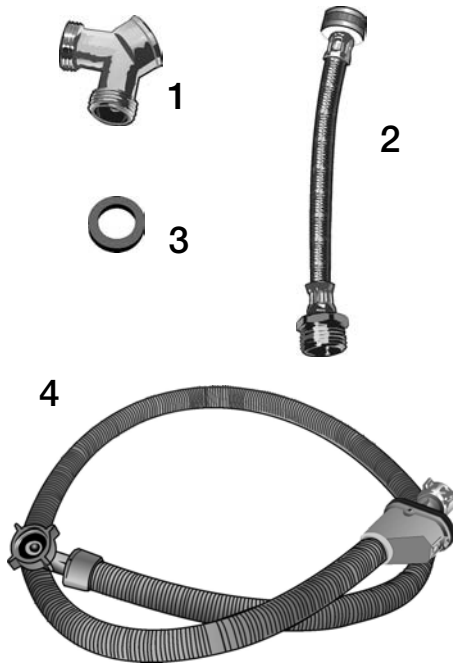
If the hose leaks, a red mark is displayed and the water inlet is blocked.

- ❑ An AQUASTOP® Hose that has activated cannot be reset. Contact Customer Service for a replacement hose (see page 26).



## MISTCARE™ Dryer Parts Supplied

The following parts are included with the shipment of your dryer.

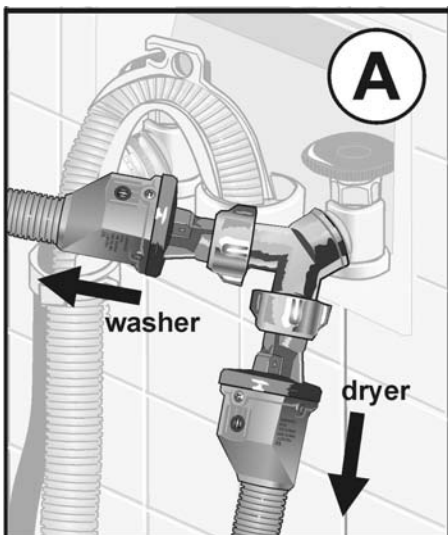


1. "Y" connector
2. Short metal-braided inlet hose
3. Rubber washer
4. AQUASTOP® Hose

### Connecting the Inlet Hose

**i** The dryer must be connected to the "Y" connector using the **AQUASTOP®** Hose. Do not use an old hose.

1. Turn off the cold water faucet and remove the washer water supply hose.



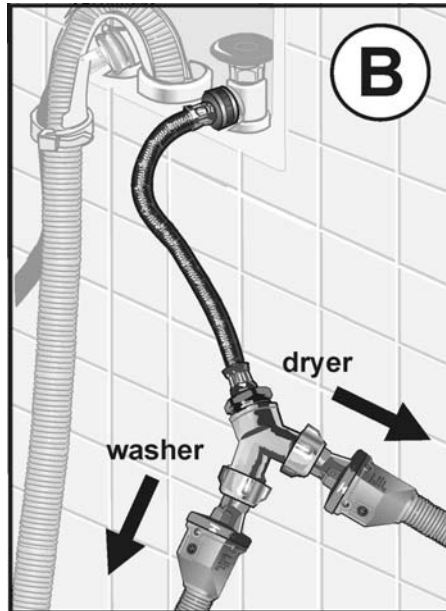
2. Check to be sure that the rubber washer is fully inserted and seated

in the female end of the short hose prior to continuing. The rubber washer is shown as item 3 in the supplied parts illustration. It is illustrated separately from the hose for clarity.

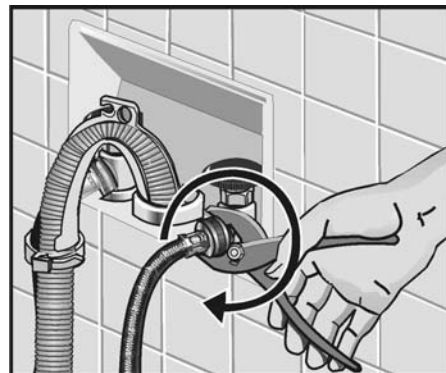
3. If space permits, attach the internally threaded (female) end of the "Y" connector directly to the cold water faucet (option **A** as shown in the illustration above) and continue to step 6.

### For optional Installation with Y Connector

If the "Y" connector cannot be attached directly, use the short hose provided to connect the "Y" connector to the cold water faucet (option **B** as shown in the illustration shown), **and continue with steps 4 through 5.**



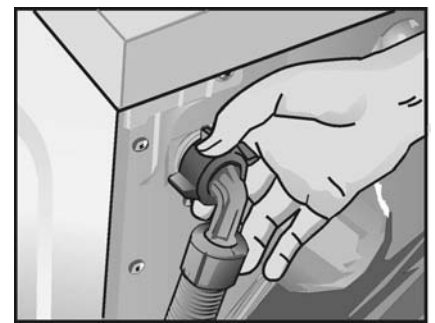
4. Attach the short hose to the cold water faucet. Tighten the connection by hand until the coupling is seated on the faucet.
5. Use pliers to tighten the connection an additional two-thirds turn.



**i** Do not overtighten. Damage to the coupling could result.

6. Attach the "Y" adapter to the short hose. Tighten the coupling by hand until it is firmly seated on the hose.
7. Attach the washer cold water supply hose to the "Y" connector. Hand tighten.
8. Attach the dryer **AQUASTOP®** Hose to the other coupling of the "Y" connector. Hand tighten.
9. Tighten all three couplings on the "Y" connector an additional two-thirds turn using pliers.

**i** Do not overtighten. Damage to the coupling could result.



10. Attach the right-angle connector on the **AQUASTOP®** Hose to the inlet valve located at the top left of the dryer.

**i** Check to see that the rubber washer does not fall out, and is properly seated in the right-angle connector.

11. **Hand tighten** the coupling until it is seated on the connector. Do not use pliers, hand tighten only.

**i** Do not overtighten. Damage to the coupling could result.

12. Turn on the water faucet.

13. Check for leaks around the "Y" connector, faucet and all hoses.

## Electrical connection

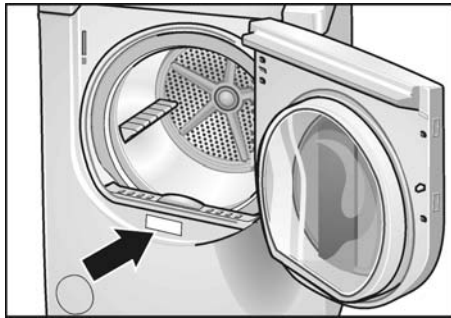
### GROUNDING INSTRUCTIONS

#### WARNING

The dryer must only be connected to an individual branch circuit via a socket which has been properly installed and grounded.

The household electrical voltage must correspond to the voltage specification on the dryer (rating plate).

You will find the rating plate on the inside of the front panel.



Connection specifications as well as the electrical requirements are stipulated on the appliance nameplate.

Make sure that:

- the power cord plug fits into the socket.
- the power cord is acceptable for use in this application.
- the grounding system is properly installed.

The power cord may be replaced by a qualified technician or a licensed electrician only.

Replacement power cords are available from Customer Service (see page 26).

Volts	Hertz	Amperes	Watts
110–120	60	9	1080

## Gas connection

#### WARNING

Explosion hazard!  
Use a new AGA or CSA approved gas supply line.  
Install a shut-off valve.  
Securely tighten all gas connections.  
Do not crush or kink the gas line.  
Have a qualified person make sure gas pressure does not exceed 14 in. W.C./ 3.49 kPa/ 0.506 psig. (Natural Gas and Propane).  
Example of a qualified person include:

- licensed heating personnel,
- authorized gas supplier personnel,
- authorized service personnel.

Failure to do so can result in explosion or fire.  
Risk of death or injury!  
All gas line connections must be tested for leaks prior to appliance operation. Apply soapy water to gas line connections and check for formation of new bubbles. Bubbles indicate a leak!

When installing the gas supply to the gas dryer inlet pipe, do not exceed 26 ft–lb (35 Nm).

#### WARNING

Never use an open flame to test for gas leaks.

### Gas type

This dryer when equipped for use with NATURAL GAS will employ an orifice size 46 and will have a gas outlet pressure of 3.5 in. W.C.

Your dryer must have the correct valve for the type of gas in your home. Valve information is located on the rating plate behind the door below the port hole.

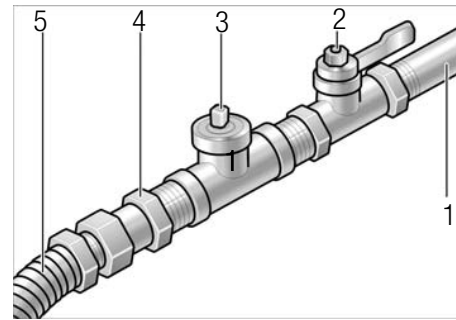
If the rating-plate information does not agree with the type of gas available, contact your dealer or our customer service team (see page 26).

### Gas supply line

1/2" I.D. pipe is recommended.  
3/8" approved tubing is acceptable for lengths under 20 ft (6.1 m) if local codes and gas supplier permit.  
Must include 1/8" NPT plugged tapping, immediately upstream of the gas connection.

A shut off valve must be included:

- **USA:**  
An individual manual shut-off valve must be installed within 6 ft (1.8 m) of the dryer in accordance with the National Fuel Gas Code, ANSI Z223.1/NFPA 54.
- **Canada:**  
An individual manual shut-off valve must be installed in accordance with the B149, Installation Codes, CAN/CSA B149.1 and CAN/CSA B149.2. It is recommended that an individual manual shut-off valve be installed within 6 ft (1.8 m) of the dryer.



- 1 – 1/2" NPT gas supply line
- 2 – Gas shut-off valve
- 3 – 1/8" NPT plugged tapping
- 4 – 3/8" pipe to flare adapter fitting
- 5 – 3/8" flexible gas connector (to the dryer)

The shut-off valve should be easy to reach for opening and closing.

### Dryer gas pipe

The gas pipe that comes out through the rear of the dryer has a 3/8" male pipe thread.

#### Note:

The dryer must be checked for proper operation whenever the gas connections have been broken.

### Connection of the dryer

#### CAUTION

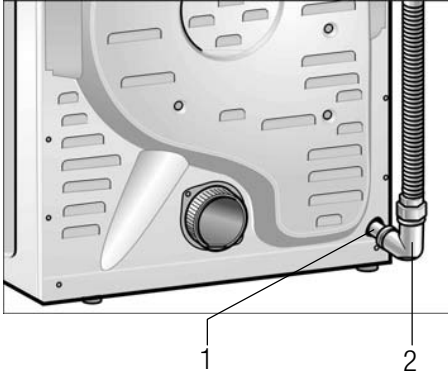
Connection must be made by a qualified technician.  
The dryer must be disconnected from the gas supply piping system during pressure testing.  
When using for the first time make sure that there is no air in the piping system.

## WARNING

Do not use copper pipes and tubing if connected to natural gas.

The connection may be different, according to the supply line type, size and location.

If local codes permit, use a flexible stainless steel connector (Design certified by the America Gas Association or CSA International) to connect the dryer.



To reduce the distance between body sheet and wall install a  $\frac{3}{8}$ " elbow on the gas pipe of the dryer.

- 1 – gas pipe ( $\frac{3}{8}$ " male pipe thread)
- 2 –  $\frac{3}{8}$ " elbow

## Exhaust air connection

The following warnings must be adhered to without exception.

### WARNING

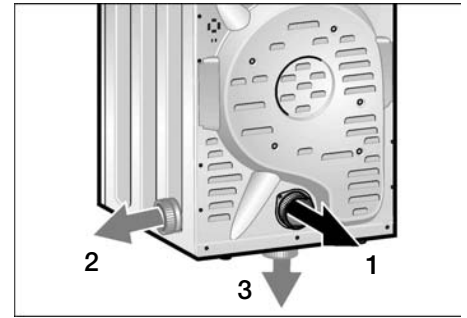
1. To reduce the risk of fire, this dryer **MUST BE EXHAUSTED OUTDOORS**.
2. To reduce the risk of fire, do not use ductwork longer than recommended. Refer to the maximum ductwork length table (see page 12).
3. **DO NOT** use a plastic, metal foil, or any other non-metal duct with this dryer. Only rigid or flexible metal duct shall be used for exhausting. Metal foil and flexible metal ducting are **NOT** the same.
4. **DO NOT** use more than 2.4 m of flexible metal ducting.
5. **DO** use a duct that is 4 inches (102 mm) in diameter.
6. **DO NOT** exhaust the dryer into: a chimney, wall, ceiling, concealed space of a building, furnace cold air duct, attic, crawl space, or any other ductwork used for venting.
7. **DO NOT** install a flexible duct in an enclosed wall, ceiling or floor.
8. **DO NOT** crush or kink the duct.
9. Do clean and inspect the exhaust system on a regular basis; at least once a year.
10. The exhaust duct must terminate with an approved exhaust vent hood to prevent back drafts or entry of birds or other wildlife.
11. **DO NOT** use exhaust hoods with magnetic latches.
12. **DO NOT** assemble the duct work with screws or fasteners that extend into the duct. They serve as an accumulation point for lint. Joints should be secured with aluminum tape.

### Exhaust air outlet on the dryer

The dryer is delivered with an exhaust air outlet on the rear of the appliance.

To take account of the spatial requirements and an existing exhaust air system, the following connection options are possible for the exhaust air outlet:

- on right side of the appliance,
- on the underside of the appliance.



- 1 – Exhaust air outlet on the rear of the appliance (standard)
- 2 – Exhaust air outlet on the side (optional)
- 3 – Exhaust air outlet on the underside of the appliance (optional)

Special exhaust air connections can be obtained from your dealer, part supplier or customer service for either connection type (see page 13).

- Side exhaust kit
- Bottom exhaust kit

A qualified technician should change the exhaust air outlet to the optional connection location.

### Ductwork

The dryer vent system moves moist air away as your clothes tumble dry. You can shorten drying times, save energy and help ensure the safety of the system by making sure your dryer's exhaust duct system is properly installed and maintained.

### Important Points to Consider:

- Keep exhaust duct runs (total length of the exhaust duct system from the dryer to the exhaust hood outside) as short as possible (refer to the table "Maximum Ductwork Length" on page 12.)
- Use the minimum number of elbows needed when installing the exhaust duct system. Avoid placing two 90 degree elbows adjacent to one another.

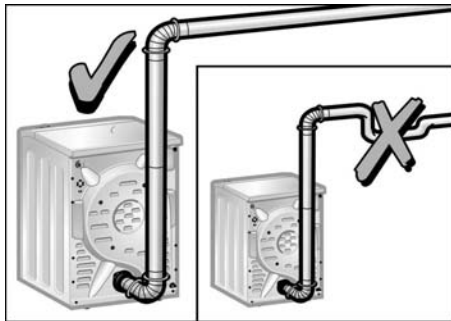
- ❑ Check and clean the exhaust duct system and exhaust hood at least once each year, and any time you suspect dryer performance is decreased.

Remove accumulated lint to prevent diminished air flow or clogging of the system. Professional cleaning is recommended annually and when attaching your dryer to a previously used exhaust duct system.

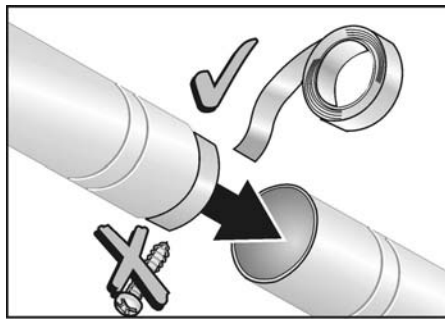
- ❑ Replace any plastic or metal foil venting sections with rigid metal or flexible metal ducting. Rigid metal ducting is recommended.

**i** Correct exhaust system installation is the responsibility of the consumer.

**Problems that result from incorrect installation are not covered by the appliance warranty.**



Exhaust ducting which is longer than specified in the maximum ductwork length table on page 12 is not permitted. Not adhering to this table will extend drying time, cause lint to accumulate and affect dryer performance and dryer life-time.



All joints should be tight to avoid leaks. The male end of each duct section must point away from the dryer.

Whether connecting to an existing venting system or a new venting system, make sure that all ducting is clean and free of lint.

The maximum permitted length for rigid duct and for rigid duct used with flexible metal duct is shown in the table below. If using flexible metal ducting to connect the appliance to the ductwork system, the total length of flexible metal duct used shall not exceed 2.4 m and can only be used to connect the dryer to the ductwork system. As the table below shows, the maximum overall ductwork length is reduced if flexible ducting is used.

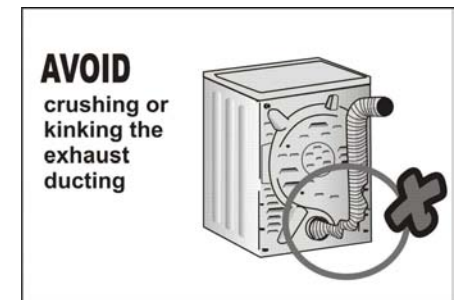
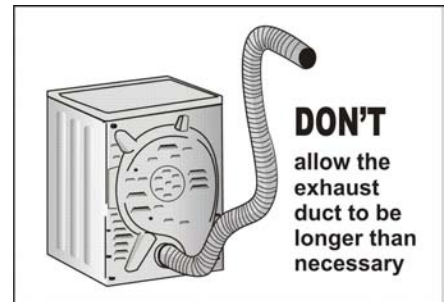
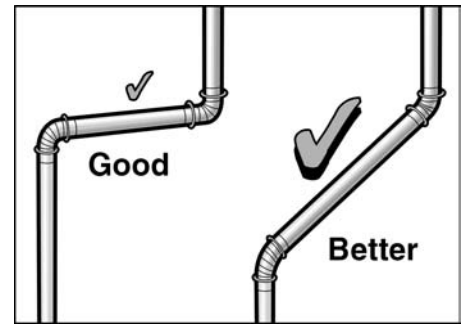
#### Maximum Ductwork Length

Number of 90° Turns or Elbows	Rigid Duct	Flexible Duct in Combination with Rigid Duct
0	66 ft. (2011 cm)	45 ft. (1372 cm)
1	56 ft. (1707 cm)	36 ft. (1097 cm)
2	48 ft. (1463 cm)	29 ft. (884 cm)
3	39 ft. (1189 cm)	22 ft. (671 cm)
4	30 ft. (914 cm)	16 ft. (488 cm)

#### Note:

Side and bottom exhaust installations have a 90° turn inside the dryer. Take this into account when using the table above.

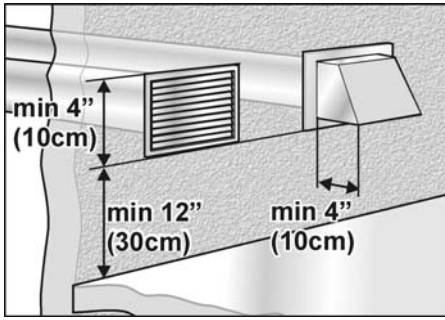
More than two 90° turns are not recommended. For best performance, separate all turns by at least 4 ft. of straight duct, including distance between last turn and exhaust hood.



#### Exhaust vent hood

The exhaust duct must end with an approved exhaust vent hood with swing out damper(s). DO NOT use an exhaust vent hood with magnetic latches.

To avoid exhaust restriction, the outlet must be a minimum of 12 inches (30 cm) above ground level or any other obstructing surface.



### Required Ductwork Parts

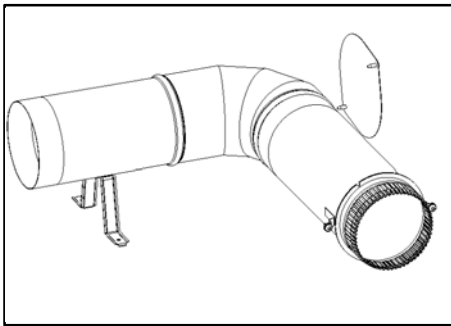
The parts required for the exhaust air system (elbows, lines, exhaust air outlets) are not included in standard delivery of the dryer (see the Accessories section for information on ordering parts.)

Professional installation of ductwork is recommended.

## Accessories

The following optional accessories for your dryer may be obtained from customer service (see page 26) or from your local dealer. Please follow the installation instructions supplied by the appropriate manufacturer.

### Side exhaust kit



part no. **WTZ 1265**

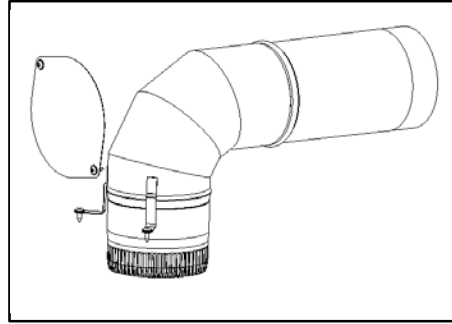
#### Note:

See notes on maximum number of elbows on page 12.

**i** A special tool is required for cutting the exhaust hole in the dryer side panel.

For further information please contact your local dealer.

### Bottom exhaust kit

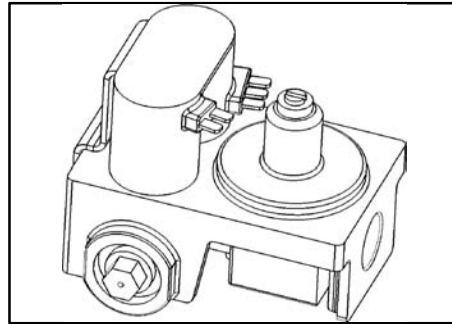


part no. **WTZ 1270**

#### Note:

See notes on maximum number of elbows on page 12.

### LP – Gas Kit



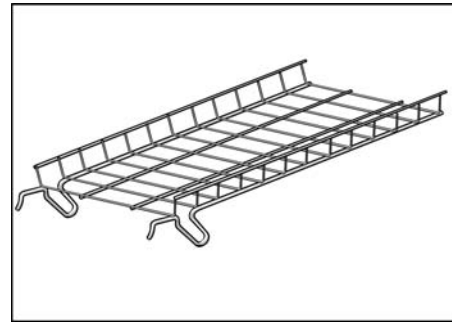
part no. **WTZ 1280**

The parts required for the LP version can be obtained from your local dealer. Please follow the installation instructions supplied by the appropriate manufacturer!

#### Note:

Dryer must be checked for proper operation whenever the gas connections have been broken.

### Dryer rack



part no. **WTZ1290**

Use the dryer rack to dry washable woolen textiles (e.g. sweaters) and shoes.

### Left hinge kit

part no. **WTZ1260** for white  
part no. **WTZ1260S** for solid silver tone  
and for duo-tone color

The door is hinged on the right side at the factory. The door catch can be reversed if necessary. Please contact your dealer or our customer service team (see page 26)

### Pedestal Mounting Kit

8 inch pedestal accessory number

**WTZ 1295** for solid white color

**WTZ 1295S** for solid tone silver

**WTZ 1295P** for duo tone silver/white

15 inch pedestal accessory number

**WTZ 1500** for solid white color

**WTZ 1500S** for solid tone silver

**WTZ 1500P** for duo tone silver/white

**WTZ 1500C** for duo tone champagne/white

If mounting the dryer on the pedestal follow the instructions supplied with the pedestal before proceeding any further.

### Mobile home kit

part no. **WTZ 1275**

#### Note:

Please check with the Authority Having Jurisdiction in your area to verify if a gas dryer can be installed in your mobile home. Once that has been verified, installation of the dryer shall conform to the Manufactured Home Construction and Safety Standard, Title 24 CFR, Part 3280 {formerly the Federal Standard for Mobile Home Construction and Safety, Title 24, HUD (Part 280)}, and/or Standard CAN/CSA-Z240 MH.

The kit includes a means to secure the dryer to the structure.

See page 11 "Exhaust Air Connection" for the exhaust duct installation instructions.

The exhaust duct must be securely fastened to a noncombustible portion of the mobile home structure and must not terminate beneath the mobile home.

An opening to the outside must be provided during installation. Insure that the free area of the opening for the introduction of outside air is not less than twice the area of the dryer exhaust outlet or use at least a 5 inch diameter exhaust or at least a 25 in<sup>2</sup> square exhaust duct for the opening.

## Preparing to transport the dryer – step by step

**i** These procedures should only be performed by a qualified person.

1. Close the shut-off valve.
2. Rotate the program selector to "OFF".
3. Disconnect the power supply (turn circuit breaker off, unplug the appliance)
4. Disconnect gas supply.
5. Turn off the water faucet connected to the water supply hose. Disconnect the water supply hose.
6. Disconnect the exhaust duct from the exhaust air outlet on the dryer.
7. Collect any accessories and package them for shipment with the appliance.
8. Close the door and secure with adhesive tape.
9. Screw the height-adjustable feet of the dryer into the housing to prevent them from being damaged during transportation.
10. **Reinstallation of the Dryer at the New Location** – refer to the Installation Instructions in this manual (see page 6).

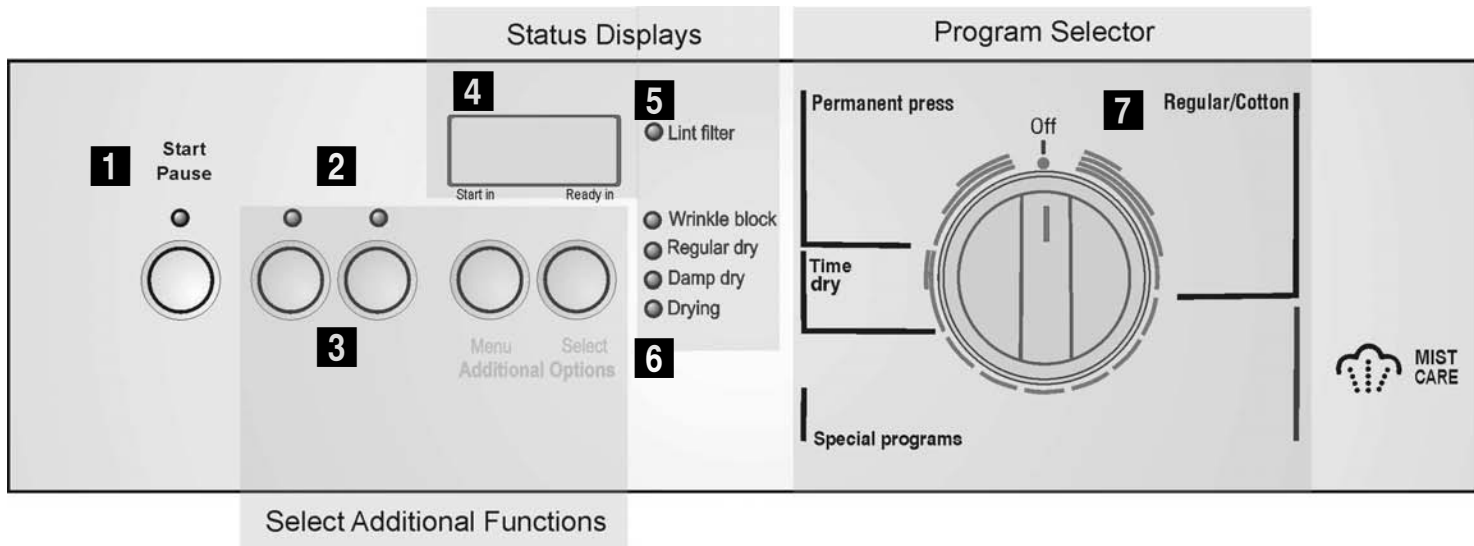
# OPERATING INSTRUCTIONS

## Before using

### WARNING

Before using your dryer, read and follow all installation and operating instructions.

## Panel



### **1** Start/Pause button

Starts, interrupts and ends the drying process.

#### Start/Pause LED Status

**Lit Red:** Program is running and "Pause" can be activated.

**Blinking:** Settings can be changed, the drying cycle can be started, or program is in "Pause" mode.

**Not Lit:** Program is finished or there is no program selected.

### **2** Option buttons

Add functions to the program selected. The option button LED is lit when the option is selected. Press the option button again to turn the option off (LED turns off).

**Delicates low temp:** Press for temperature-sensitive textiles (e.g. acrylic fibers). The temperature of the drying process is reduced, the drying time is extended correspondingly.

**ECO e:** Press for additional energy savings (use only for cotton and permanent press auto programs). Press the option button prior to starting an automatic program.

### **3** Signal (500 Series)

Press the two option buttons at the same time to enable an acoustic signal that indicates the end of the program (see page 45). The 800 Series signal is set on the LCD menu (see page 19).

### **4** Display

#### 500 Plus Series

Indicates the estimated remaining time of programs.

#### 800 Series

Indicates the settings of the additional options and the estimated remaining time of programs. (See page 19)

#### Additional Options

**Menu** selects one of the additional options

**Select** changes the settings of the selected option

### **5** Lint Filter LED

**Blinks as a reminder to clean the lint filter before and after use.** Lit (steady) when the door is opened during a program, or in the event airflow is reduced enough to create an E:01 error (see troubleshooting guide, page 25).

### **6** Indicator Lights

LED'S light up in sequence to show the current moisture state of the drying process.

**Wrinkle block** – at the end of the drying program an acoustic signal sounds and the Wrinkle block LED lights up. The drum rotates at specific intervals for one hour to prevent the laundry from creasing (see page 17).

### **7** Program Selector

Switches the machine on and off and selects the program (see page 17). Can be turned in both directions.

To switch off the dryer, rotate the program selector to "Off".

---

## Additional Safety Information



### WARNING

Always follow the IMPORTANT SAFETY INSTRUCTIONS (see page 4).

---

## Protection of the environment

### Tips on saving energy

To save energy, money and time, Bosch recommends the following:

- **Drain the laundry thoroughly!**  
Before drying, spin the laundry thoroughly in the washing machine. Use the highest possible spin speed for the type of laundry! Higher spin speeds reduce the drying time and the energy consumption.
- **Use optimum load!**  
Use maximum recommended loads. However, do not exceed loads.
- **Clean filter!**  
Clean the filter before and after each drying process (see page 21).
- **Ventilate the room!**  
During the drying process provide an adequate supply of fresh air.
- **Do not dry unsuitable materials!**  
Do not dry rubberized or air-tight items.
- **Clean and inspect the exhaust system on a regular basis!**  
Blockages may extend drying time or may cause the dryer to malfunction.

---

## Temporary disconnection of the dryer

Operate your dryer only when you are at home. If you intend going on vacation or are not using your dryer for an extended period of time, you should:

1. Turn off the circuit breaker.
2. Pull out the power supply plug if possible.
3. Clean the lint filter.
4. Turn off the water supply.
5. Close the shut-off valve

---

## Laundry

### Identification of fabrics

Observe the treatment symbols on the textile labels. They provide valuable information as well as limitations about the drying process.

Do not dry the following textiles in the dryer:

- Air-tight textiles (e.g. rubberized)
- Delicate fabrics (silk, synthetic curtains)

**i** Dry woolen or wool-rich textiles with dryer rack only!

**i** Use the time program “Air fluff/No heat” to dry articles containing foam rubber or similarly textured rubber-like materials.

## Drying tips

In principle, the following applies to all drying programs:

- To ensure a uniform drying result, sort the laundry according to fabric type and drying program.
- Fasten zippers, hooks and eyes. Fasten loose belts, apron strings, etc..
- Do not overdry easy-care laundry – risk of wrinkling! Leave laundry to dry in the air.
- Do not iron laundry immediately after drying. Place the laundry in a pile for a short while. Residual moisture will then be distributed uniformly.
- Knitted textiles (e.g. T-shirts, cotton jersey laundry) often shrink when dried for the first time. Do not use the “Very dry/Extra dry” program.



# Program selection

For optimum drying results your dryer offers several program groups and additional options.

**Automatic programs** include Regular/Cotton and Permanent press. Program selection is based in part on the laundry fabric type. These programs are controlled via moisture sensors. Program time is determined by the measured degree of moisture in the laundry and on the degree of dryness selected (e.g. Damp dry, Regular Dry, Extra Dry).

**Time programs** run for a user specified length of time. The Air fluff/No heat timed cycle uses ambient air (room temperature) without a heat supply and runs for 20 minutes.

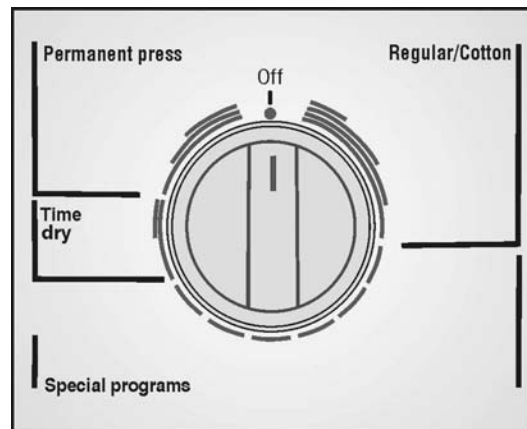
**Special programs** are custom designed for specific types of fabric such as wool or jeans. Wool or woolen products should only be dried using the dryer rack.

**MISTCARE®** cycles are best suited for smoothing out wrinkles and reducing odors. These programs should be used with loads consisting of three to four items made of wrinkle free cotton, cotton/polyester blend, cotton knit pullovers or synthetics.

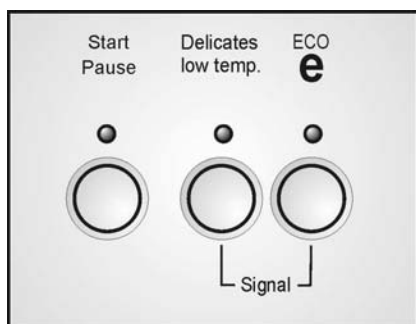
During this cycle a small amount of water is sprayed into the drum while tumbling with heat. This process is repeated, followed by additional tumbling and a brief cool down period. The heat level and time are preset for these programs.

Note: Results may vary with fabric type. Garments that are 100% cotton and have wrinkle-resistant finish may give better results.

If the nozzle stops spraying during one of the **MISTCARE®** cycles (symptoms would be water is not seen spraying into drum, clothes are less wrinkle-free than they customarily are with this function) check to be sure the nozzle is not clogged. Lint may accumulate to block the nozzle tip or hard water may cause buildup on the nozzle (see page 26).



## Option Buttons



### Delicates low temp.

Press the "Delicates low temp." button for temperature sensitive textiles. Observe the care information or symbols on the textiles. The temperature of the drying process is reduced, the drying time is extended.

### ECO e

Your dryer has an "energy savings" ECO option. This option is used only with cotton and permanent press automatic programs. Less heat is applied, and drying time is extended. Press the option button prior to starting an automatic program.

**i** The "energy savings" of the ECO e program is affected by the load size, textile type and climatic conditions.

**i** Combining with the Delicates low temp. button can produce more savings.

### Signal 500 Series

Your dryer outputs different signals for certain events. You may enable or disable the signal by simultaneously depressing the buttons shown. The following audible tones will be generated indicating the status of the appliance.

Signal	Type
Start	Short tone
End	Sequence of short tones
Mal-operation	Sequence of long tones
Warning of malfunction	Sequence of long tones

**i** The signal "Warning of malfunction" is active regardless of whether or not the signal has been disabled.

## LED Indicators of Program Sequence

The dryer uses an electronic scanning system for all programs except the time programs. A moisture sensor continuously checks the moisture in the laundry. Drying ends automatically as soon as the selected degree of dryness has been reached.

The drum continues to rotate at specific intervals for one hour to prevent creasing.

The current degree of drying and the level reached during the program sequence is indicated via indicator lights (Drying, Damp dry, Regular dry, Wrinkle block).



**i** If the indicator light "Wrinkle block" illuminates when the program selector is in Off-Position – turn off the circuit breaker and call for customer service!

## Automatic Programs

### Regular/Cotton ECOSENSOR

For Cottons and coloreds made of cotton or linen. Press the “Delicates low temp.” option button for temperature-sensitive textiles.

<b>Damp dry</b>	Bed linen, table linen, towels	to be ironed
	Bed linen and table linen, towels, T-shirts, sports shirts, overalls	
	T-shirts, sports shirts, dresses, trousers, overalls, underwear	
<b>Regular dry</b>	Terry towels, kitchen towels, hand towels, bed linen, underwear, cotton socks	not to be ironed
<b>Very dry</b>	Terry towels, kitchen towels, hand towels, bed linen, underwear, cotton socks	not to be ironed, thick multi-ply
<b>Extra dry</b>	Terry bathrobes and terry bed linen,	particularly thick or multi-ply

### Permanent press ECOSENSOR

Easy-care (drip-dry) laundry made of synthetic and blended fabric (e.g. cotton/polyester). Press the “Delicates low temp.” button for very temperature-sensitive textiles.

<b>Damp dry</b>	Trousers, dresses, skirts, shirts, blouses, leggings, sports clothing with synthetic-rich fibers, lingerie	not to be ironed or only lightly ironed
<b>Regular dry</b>	Shirts, blouses, sports clothing	not to be ironed
<b>Very dry</b>	Bed linen and table linen, track suits, comforters, blankets	not to be ironed, thick multi-ply

## MISTCARE® Programs

<b>MISTCARE® Refresh</b>	Cotton, cotton–polyester blends, common knits and synthetic shirts, cotton blend pants, skirts, t–shirts and pullovers. Wrinkle free fabrics give best results. Helps smooth out wrinkles and reduce odors. Use with a light load, such as one consisting of 3 to 4 shirts. Program time is about 16 minutes.	
<b>MISTCARE® Wrinkle relax</b>	Helps smooth out wrinkles. Use with a light load, such as one consisting of 3 to 4 shirts. Program time is about 12 minutes.	
<b>MISTCARE® Touch up</b>	This program is used to refresh a cotton textile load that has been dried and has been left in the drum of the dryer at the end of the cycle overnight. This 20 minute program refreshes the load to help smooth out the wrinkles caused by the load pressing down under its own weight.	
	Clothing containing foam, rubber, or plastic must be refreshed on a clothes–line or by using the Air–fluff/No heat cycle as these articles may ignite due to the heat of the MISTCARE® program.	

## Special Programs

<b>Wool</b>	Washable woolen textiles (e.g. sweaters, woolen pullover, skirts) <b>Dry woolen or wool–rich textiles with dryer rack only!</b>
<b>Jeans</b>	Heavy jean fabric
<b>Quick</b> (800 Series)	Small loads, loads that need a short drying time (e.g. sports shirts, work–out clothes (cotton, synthetic))

## Time Programs

<p><b>30 min., 60 min.</b> (500 Series) <b>Medium +</b> required drying time (800 Series)</p> <p>(800 Series) If you choose a program with variable time (e.g. time programs, wool care) the display starts to flash. You have to set the time.</p>	<p>Pre-dried textiles with low moisture content, individual small items, e.g. bath towels, bathing suits, dish cloths. For the smallest loading condition from 0.22 lb – 0.44 lb (i. e. one small towel), for this a time dry program should be selected</p> <p>Press the “Delicates low temp.” button for temperature-sensitive textiles option.</p> <p>– Cottons and coloreds made of cotton or linen.</p>
<p><b>Air fluff / No heat</b> (500 Series) <b>Air fluff / No heat +</b> required time (800 Series)</p>	<p>Freshening or airing little worn items of clothing and drying of extreme sensitive textiles. For all textile types inclusive foam rubber (e.g. pillows, stuffed toys), plastic (e.g. shower curtains, table clothes), rubber (e.g. backed rugs), sheer nylon, olefin.</p>

## Additional options 800 Series

**i** Before setting additional options, choose a program with the program selector!



Select the option to be changed with the “Menu” button. Press the button to move to the next option on the display. The active symbol starts flashing.

The current active option setting is displayed on the right.

These settings can now be changed with the “Select” button. Press the button to jump to the next possible setting.

**i** Pressing the “Menu” button again, saves the previously settings. If you don’t press any button for 10 seconds the settings are saved automatically.

Symbol	Function	Settings	Explanation
	Sets the delay start time of the dryer (Start in .. hours!)	0–12 h (0.5 h steps)	
	Extra care (more gentle than “Delicates/low temp.”)	On/Off	If you have chosen the additional option “Extra care” the “Delicates/low temp.” indicator light illuminates. Pressing the “Delicates/low temp.” button cancels the additional option “Extra care”.
	Child-proof lock (only effective while the program is running)	On/Off	This additional option allows you to lock your settings to prevent unintended use of the dryer. To start the dryer when the Safety guard is active: Press and hold the “Start/Stop” button for 4 seconds. To unlock this additional option when the dryer is running: Press and hold the “Start/Stop” button for 4 seconds.
	Extra Drying Time User selectable degree of dryness	0, 1, 2, 3 (0=default, 1=dryer, 3=dryest)	If you have chosen the steps 1 to 3 of the additional option “Degree of dryness” the symbol ☀ is displayed. 0 is standard setting – symbol ☀ is not displayed.
	Volume of the end signal and the damp dry signal	Off, medium, maximum	Your dryer outputs different signals for certain events. You may enable or disable the signal by simultaneously depressing the buttons shown.
	Spin speed optimized drying time coordinates the remaining time displayed for the dryer to the spin speed at which the laundry was previously spun in the washing machine	400 600 800 1000 1200	To optimize the remaining time display, the spin speed at which the laundry was previously spun in the washing machine can be entered by the user.
			<b>Event</b>
			<b>Signal</b>
			Enable Signal
			Short tone
			Disable Signal
			Two short tones
			Start Cycle
			Short tone
			End Cycle
			Sequence of short tones
			Mal-Operation
			Sequence of long tones
			Warning of Malfunction
			Sequence of long tones (maximum volume)

# Operation

## Using the dryer

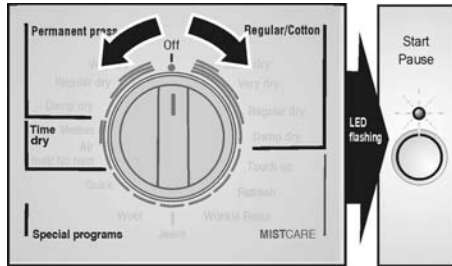
1. Open the door.



2. Check lint filter.

The filter should be cleaned before and after using the dryer. Cleaning the filter reduces the drying time and saves energy. (See page 21 for lint filter cleaning instructions).

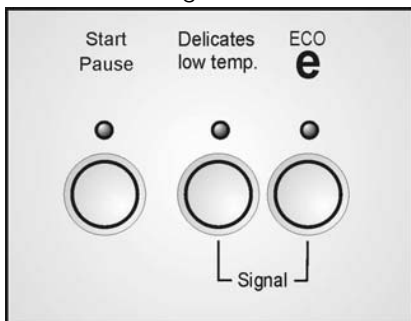
- i** Bleach may cause discoloration of the dryer's colored surface. Therefore, it is important to keep bleach away from the colored surface of your dryer. If any bleach spills on the surface, use a moist paper towel to thoroughly clean it immediately.



3. Rotate program selector to the desired program.

Select the program which corresponds to the laundry in the dryer from the program selection table (see page 17). The dryer light turns on inside the drum.

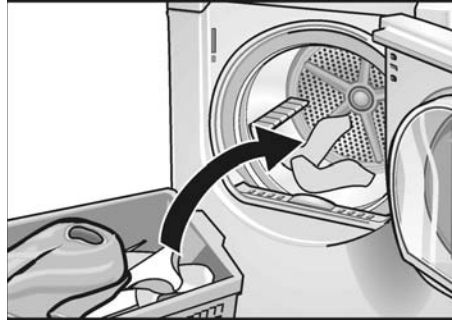
- i** The "Start/Stop" indicator light starts flashing.



4. If required, select an available option ("Delicates low temp" or "ECO e") by pressing the corresponding button (see figure above).

All available "Options" are explained on page 17.

- i** The estimated remaining time will be displayed.



5. Place laundry in the empty drum. Put each piece of laundry into the machine separately.

For best results the laundry to be dried must be sorted according to type of laundry and desired degree of drying. For further information see page 16.

- i** Observe drying symbols of the laundry manufacturer. If drying woolen clothing and shoes, see the information on page 21.

Ensure that there is only laundry in the drum. Check that all items are completely in the drum.

6. Close the door.



The "Start/Stop" indicator light continues flashing.

- i** If the door has not been closed properly, the dryer will not start.

7. Press the "Start/Stop" button. The "Start/Stop" indicator light illuminates.

- i** The program starts with an acoustic signal (if set).

If a standard program has been selected, the indicator lights indicate the progress of the program sequence.

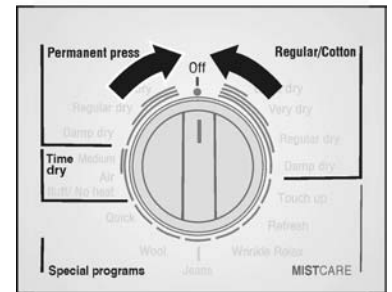


- i** At program end an acoustic signal is emitted (if set) and the LED "Wrinkle block" illuminates.

- i** When the drying process is complete (program or selected time program ended), the drum rotates at specific intervals for 1 hour. This prevents the laundry from creasing. The laundry remains loose and fluffy until it is removed. The laundry should be removed before this time has elapsed.

8. Open the door.

9. Take the laundry out of the dryer.



10. Rotate the program selector to "Off".

The dryer light goes out.

11. Clean the filter. The filter should be cleaned after each drying process. Cleaning the filter reduces the drying time and saves energy.

12. Close the door.

## Cleaning the lint filter

A dirty filter extends the drying time and increases energy consumption. The filter should be cleaned before and after each drying process. If a warning signal and an "E:01" warning message are emitted during a drying program, clean the filter immediately and check the exhaust duct.

**i** The program interrupts automatically.

1. Switch off the dryer by turning the program selector to "Off".

### CAUTION

The inside of the door heats up during the drying process.

2. Open the door.



3. Remove the lint filter.



4. Remove lint by stroking your hand over the filter.

The filter should be lightly scrubbed twice a year with warm soapy water. The filter is clean when it no longer holds water. The filter must be dried thoroughly before being replaced.



5. Insert the filter.
6. Close the door.

## Using the dryer rack

(Option, see page 13)

Use the dryer rack to dry washable woolen textiles (e.g. sweaters) and shoes. The dryer rack remains stationary while the drum rotates. Damp wool should not be moved, as it has a tendency to matt. Drying shoes without a rack could damage the drum.

**i** The dryer rack must be used for drying with the wool cycle. If the rack is not used, the sensor will shut the dryer off after approximately 7 minutes.

### NOTICE

Dry only one item of clothing or one pair of shoes – maximum dry load 2.2 lbs (1 kg)! The laundry must have been spun! Only dry prewashed shoes! The laundry must not touch the drum! It could jam and be damaged. After using the dryer rack, take it out of the dryer immediately.

#### Inserting the dryer rack

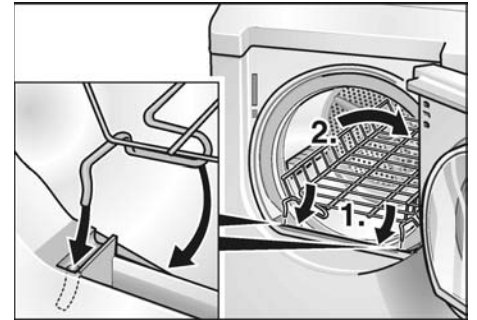
1. Open the dryer door.
2. Check that the drum is empty.



3. Remove the lint filter.



4. Place the dryer rack horizontally into the drum.



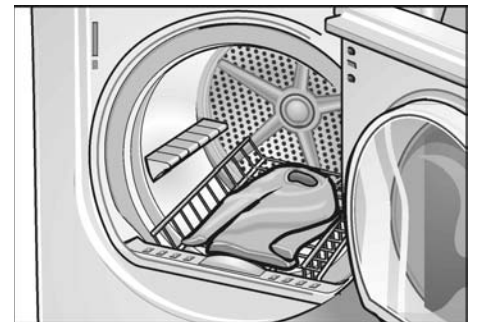
5. Place the dryer rack so that the catches are inserted at the front in the locating holes.



6. Insert the lint filter. The lint filter must be inserted flush with the drum edge!

#### Drying laundry items on the dryer rack

1. Fold laundry to fit the dryer rack.

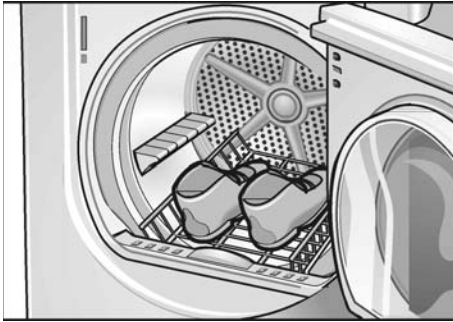


2. Place laundry loosely on the basket. Do not crush! Laundry must not touch the drum! Do not allow items to hang over the dryer rack!
3. Close the door.

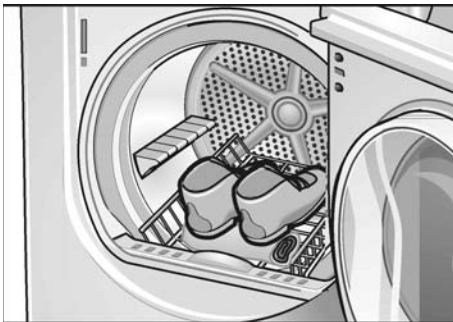
4. Rotate program selector to “Time dry/.... min.”.
- Select the drying time according to the laundry type.

### Drying shoes on the dryer rack:

1. Prepare shoes.
  - Clean shoes to prevent the drum from becoming soiled.
  - If preparing sports shoes, extend the tongue.
  - Loosen or remove shoe-laces.
  - Remove insoles and heel pads.

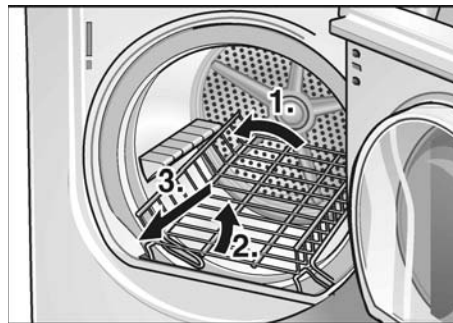


2. Place shoes on the rack.
  - Directly on the dryer rack
 or
  - Roll up a towel and place the heels of the shoes on the towel. This will ensure a more uniform drying result.



3. Close the door.

4. Press the “**Start/Stop**” button. The “Start/Stop” indicator light illuminates.
5. If the item of clothing still contains residual moisture after the indicated drying time:
  - Fold the item of clothing so that the damp parts are on the outside.
  - Restart the program and reduce the drying duration depending on the degree of residual moisture.
6. After drying, spread and expose the laundry to air for approx. 15 min. (shoes for approx. 30 min.).
7. Remove the lint filter.



8. Take the dryer rack out of the drum.



9. Re-insert the lint filter.

# Cleaning and care

## CAUTION

The access panel located on the bottom left of the dryer is for Service Access and is to be opened only by an Authorized or Qualified Service Technician. (Panel may be hidden from view by door extension).



## Cleaning the dryer

### WARNING

**TO AVOID RISK OF EXPLOSION!**  
Never use solvents or highly flammable liquids for cleaning.

### NOTICE

Incorrect cleaning may damage the dryer. Do not spray with a water jet. Do not use scouring agents or all-purpose cleaners. Do not use steam cleaners.

Wipe the housing and fascia with a soft cloth and soapy water only.

Wipe the drum, door seal and inside of the door with a damp cloth only.

## Cleaning the exhaust duct

Inspect and clean the exhaust ducting at least once a year to prevent clogging. A partially clogged exhaust will lengthen the drying time and will result in poor performance of the dryer.

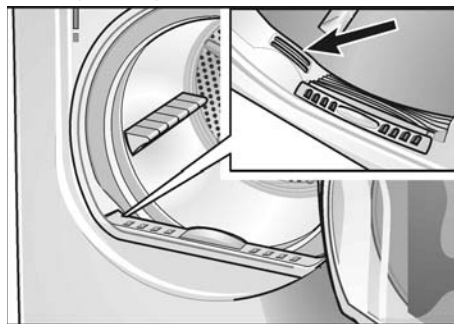
- Turn off the circuit breaker
- Pull out power supply plug
- Close the shut-off valve.
- Disconnect the duct from the dryer.
- Vacuum and reconnect the duct.

### WARNING

Remove gas connection before moving the dryer to clean the duct. Be careful not to damage the gas connection when cleaning the duct. Refer to page 10 for instructions on how to re-establish the gas connection.

## Cleaning the moisture sensor

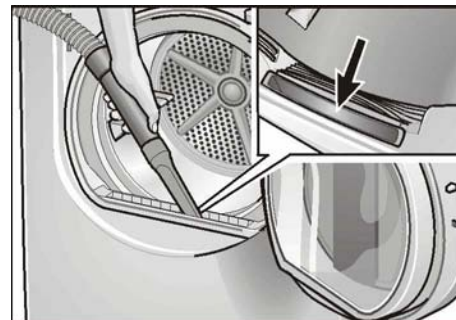
The moisture sensor has to be cleaned because a fine layer of transparent buildup is deposited on the sensors.



This deposit can easily be removed by wiping the sensors (the two bars next to the lint filter) with a cloth and a little white vinegar. Use white vinegar only! Clean the moisture sensor once a month.

## Cleaning the bearing shield

Over time, fluff from the drying process collects in the bearing shield.



This fluff can be easily removed using your vacuum cleaner, at least once a month.

## Cleaning the MISTCARE™ Nozzle

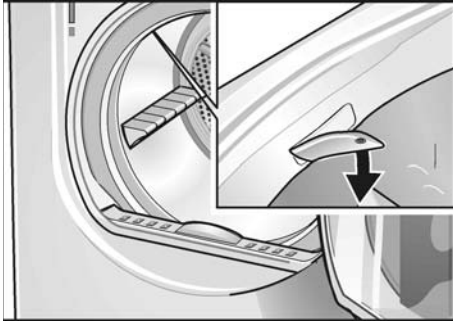
Once a year inspect the nozzle outlet. If you suspect blockage, wipe the outside of the nozzle with a cloth moistened with vinegar. If the nozzle is completely blocked, consult the troubleshooting guide (see page 26) for removal and cleaning instructions. If the nozzle remains blocked, call customer service (see page 26).

## Change the light bulb

The dryer light turns on inside the drum when you open the door.

To change the light bulb:

- Set program selector to "Off".
- Turn off the circuit breaker.
- Pull out power supply plug.
- Open the door and locate the light bulb on the upper left side of the seal.



- Loosen the screw of the cover and open the cover.
- Turn bulb counterclockwise. Replace the bulb with a new appliance bulb only (obtainable through parts department).

**i** Parts are available at [www.boschappliances.com](http://www.boschappliances.com) or by calling 1-800-944-2904.

- Replace the cover and secure with the screw.
- Plug in dryer or reconnect power supply.



# Troubleshooting

## WARNING

TO AVOID RISK OF ELECTRICAL SHOCK! Repairs or replacement of parts shall be carried out by qualified technicians or licensed electricians only.

Before calling the customer service, check whether you can rectify the fault yourself by means of the following table.

If a fault cannot be rectified or a repair is required:

1. Set program selector to "Off".
2. Turn off the circuit breaker.
3. Pull the main plug out of the socket.
4. Call customer service (see page 26).

Problem	Possible cause	Remedial action
Dryer does not start. "Start/Stop" indicator light does not illuminate.	Main plug not inserted at all or not inserted correctly.	Insert main plug correctly.
	A fuse of power supply has tripped.	Replace/switch on fuse.
	"Start/Stop" button not pressed.	Press "Start/Stop" button.
	No program selected.	Select program.
	Door not closed.	Close door.
	Ambient temperature below 41°F (5 °C.)	Increase room temperature.
Laundry is wet after drying.	The shut-off valve is closed.	Open the shut-off valve.
Program has been interrupted. A warning signal is emitted and the display shows "E:01".	Lint filter dirty.	Clean filter as described on page 21. Switch off/switch on again.
	Exhaust air duct is blocked or too long.	Clean exhaust air duct. Reduce exhaust air duct to maximum length as described on page 12. Switch off/switch on again.
	Fault in program sequence or malfunction.	Switch off dryer, leave to cool down for 30 min, switch on again. Restart program.
	The room/cabinet is not adequately ventilated.	Provide an adequate supply of fresh air. Switch off/switch on again.
Degree of drying has not been reached or the drying time is too long. Display may indicate "E:03".	Moisture sensor dirty.	Clean moisture sensor as described on page 23. Switch off/switch on again.
	Exhaust air duct is blocked or too long.	Clean exhaust air extraction. Reduce exhaust air duct to maximum length as described on page 12. Switch off/switch on again.
	Lint filter dirty.	Clean filter as described on page 21. Switch off/switch on again.
	Laundry was too wet.	Spin laundry at higher speed in the washing machine. Switch off/switch on again.
	Unsuitable program selected.	Select program with aid of the program selection table (see page 17). Switch off/switch on again.
	Maximum drying time was exceeded.	Clean lint filter (see page 21). Check exhaust air extraction. Spin laundry at a higher speed in your washer.
	Motor limit temperature was exceeded.	Switch off dryer, leave to cool down for 30 min. Switch on again. Start program.
	Degree of dryness not correctly set	800 Series, Change settings for degree of dryness, see page 19
Drum light does not function.	No program selected.	Select program.
	Light bulb defective, light bulb burned out.	Change light bulb, see page 24.
	No power supply.	Guarantee power supply.
	Light bulb is loose.	Tighten light bulb. Remove and reinstall the cover as directed on page 24.
"Start/Stop" indicator light does not illuminate. "Wrinkle block" indicator lights. The display shows "000".	Fault in "program sequence or malfunction.	Switch off dryer, leave to cool down for 30 min, switch on again. Restart program.
Lint filter LED is blinking after lint filter has been cleaned	Blinking of lint filter LED is not an indication of a problem. It is used only as a reminder.	No action required. Light will stop blinking.

## Troubleshooting (continued)


Problem	Possible cause	Remedial action
Unusual noise: thumping sound	Drum suspension rollers need time to warm up.	No action required. As suspension system rollers warm up thumping will decrease and should stop within 2 to 3 minutes of dryer use
Unusual noise: Steady vibration	Dryer is not level.	Level the dryer (see user manual section "Installation Instructions")
Unusual noise: Rhythmic vibration	Laundry balled up causing load to bounce.	Stop dryer, separate load items, restart dryer.
Water is not sprayed into the unit during MISTCARE™ cycles	Water tap(s) not turned on.	Turn on water tap.
	AQUASTOP® Hose safety feature activated.	Confirm activation of AQUASTOP® Hose by visual inspection of red indicator in hose (see page 8). If red indicator shows (hose is activated) replace hose.
	Blocked nozzle	Remove the nozzle using a 7/16 inch socket wrench. Place the nozzle into a container filled with enough white vinegar to cover the nozzle. Allow the nozzle to soak for five minutes, then scrub the nozzle tip gently with a toothbrush to remove residue. Rinse the nozzle and reinsert it back into the dryer and hand tighten, then tighten 1 additional turn with the wrench.

## SERVICE and REPAIR

### WARNING

**WARNING** – Label all wires prior to disconnection when servicing controls. Wiring errors can cause improper operation that could cause serious damage to the appliance or personal injury. Verify proper operation after servicing.

The Bosch dryers require no special care other than the care and cleaning noted above.

 If you are having a problem with your dryer, please refer to the troubleshooting table on page 25, before calling for service.

If service becomes necessary, contact your dealer or installer or an authorized service center. Do not attempt to repair the appliance yourself. Any work performed by unauthorized personnel may void the warranty.

If you are having a problem with your Bosch dryer and are not pleased with the service you have received:

- First, please contact your installer or the Bosch Authorized Service Contractor in your area and explain to them why you are not satisfied. This will usually correct the problem.
- If after working with your installer or service person the problem still has not been resolved to your satisfaction, please let us know by either writing to us at,

BSH Home Appliances Corporation  
5551 McFadden Avenue  
Huntington Beach, CA 92649  
or, calling us at

**1-800-944-2904.**

Please be sure to include, if writing, or have available, if calling, the following information:

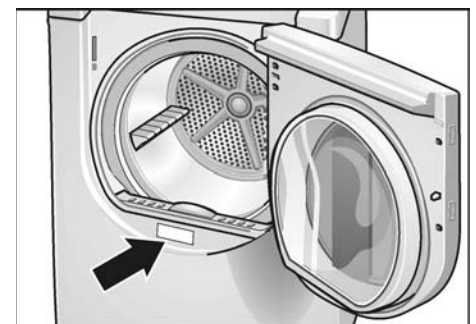
- Model Number
- Serial Number
- Date of Original Purchase
- Date Problem Originated
- Explanation of Problem

Also, if writing, please be sure to include a daytime telephone number and a copy of the sales invoice.

You will find the model number and serial number information on the rating plate located on the inside of the front panel.

The image below shows the approximate location of the rating plate. The model number has a rectangle around it. The serial number is located below the model number.

An example is shown below.



The manufacturer reserves the right to make changes in the product or manual without notification.

# STATEMENT OF LIMITED PRODUCT WARRANTY

Bosch Nexxt® Clothes Dryer

**What this Warranty Covers & Who it Applies to:** The limited warranty provided by BSH Home Appliances Corporation (Bosch) in this Statement of Limited Product Warranty applies only to the Bosch Nexxt® Clothes Dryer (“Product”) sold to you, the first using purchaser, but strictly conditioned on the Product having been purchased: (1) for your normal, household (non-commercial) use, and has in fact at all times only been used for normal household purposes (any commercial use or setting of the Product automatically voids the warranty); (2) new at retail (not a display, “as is”, or previously returned model) purchased directly by the end-user consumer, and not for resale, or commercial use; and (3) within the United States or Canada, and has at all times remained within the country of original purchase. The warranties stated herein apply only to the first purchaser of the Product and are not transferable. The warranty is automatically void if the Product was a display model, sold “as is”, tampered with, a damaged or “scratch and dent” model, or a previously returned model, a free give-away, charitable donation or contest prize.

- Please make sure to return your registration card; while not necessary to effectuate warranty coverage, it is the best way for Bosch to notify you in the unlikely event of a safety notice or product recall.

**How Long the Warranty Lasts:** Bosch warrants that the Product is free from defects in materials and workmanship for a period of three hundred sixty-five days (365) days from the date of purchase. The foregoing timeline begins to run upon the date of purchase, and shall not be stalled, tolled, extended, or suspended, for any reason whatsoever.

**Repair/Replace as Your Exclusive Remedy:** During this warranty period, Bosch or one of its authorized service providers will repair your Product without charge to you (subject to certain limitations stated herein) if your Product proves to have been manufactured with a defect in materials or workmanship. If reasonable attempts to repair the Product have been made without success, then Bosch will replace your Product (upgraded models may be available to you, in Bosch’s sole discretion, for an additional charge). All removed parts and components shall become the property of Bosch at its sole option. All replaced and/or repaired parts shall assume the identity of the original part for purposes of this warranty and this warranty shall not be extended with respect to such parts. Bosch’s sole liability and responsibility hereunder is to repair manufacturer-defective Product only, using a Bosch-authorized service provider during normal business hours. For safety and property damage concerns, Bosch highly recommends that you do not attempt to repair the Product yourself, or use an un-authorized servicer; Bosch will have no responsibility or liability for repairs or work performed by a non-authorized servicer. If you choose to have someone other than an authorized service provider work on your Product, THIS WARRANTY WILL AUTOMATICALLY BECOME NULL AND VOID.

Authorized service providers are those persons or companies that have been specially trained on Bosch products, and who possess, in Bosch’s opinion, a superior reputation for customer service and technical ability (note that they are independent entities and are *not* agents, partners, affiliates or representatives of Bosch). Notwithstanding the foregoing, Bosch will not incur any liability, or have responsibility, for the Product if it is located in a remote area (more than 100 miles from an authorized service provider) or is reasonably inaccessible, hazardous, threatening, or treacherous locale, surroundings, or environment; in any such event, if you request, Bosch would still pay for labor and parts and ship the parts to the nearest authorized service provider, but you would still be fully liable and responsible for any travel time or other special charges by the service company, assuming they agree to make the service call.

## Extended Limited Warranty:

LENGTH OF WARRANTY	SCOPE OF WARRANTY
2 Year Limited Warranty From Date of Purchase	Bosch will provide replacement parts, free of charge, for any component part that proves defective under conditions of normal home use during the first two years from the date of purchase, normal (non-expedited) shipping costs included, labor charges excluded.
2 Year Limited Warranty on Electronics From Date of Purchase	Bosch will repair or replace, free of charge, any microprocessor or printed circuit board that proves defective under conditions of normal home use during the first two years from the date of purchase, labor charges excluded.
2 Year Limited Warranty on Motor From Date of Purchase	Bosch will repair or replace, free of charge, any motor or component part of the motor that proves defective under conditions of normal home use during the first two years from the date of purchase, labor charges excluded.

**Out of Warranty Product:** Bosch is under no obligation, at law or otherwise, to provide you with any concessions, including repairs, pro-rates, or Product replacement, once this warranty has expired.

**Warranty Exclusions:** The warranty coverage described herein excludes all defects or damage that are not the direct fault of Bosch, including without limitation, one or more of the following: (1) use of the Product in anything other than its normal, customary and intended manner (including without limitation, any form of commercial use, use or storage of an indoor product outdoors, use of the Product in conjunction with air or water-going vessels); (2) any party’s willful misconduct, negligence, misuse, abuse, accidents, neglect, improper operation, failure to maintain, improper or negligent installation, tampering, failure to

follow operating instructions, mishandling, unauthorized service (including self-performed "fixing" or exploration of the appliance's internal workings); (3) adjustment, alteration or modification of any kind; (4) a failure to comply with any applicable state, local, city, or county electrical, plumbing and/or building codes, regulations, or laws, including failure to install the product in strict conformity with local fire and building codes and regulations; (5) ordinary wear and tear, spills of food, liquid, grease accumulations, or other substances that accumulate on, in, or around the Product; and (6) any external, elemental and/or environmental forces and factors, including without limitation, rain, wind, sand, floods, fires, mud slides, freezing temperatures, excessive moisture or extended exposure to humidity, lightning, power surges, structural failures surrounding the appliance, and acts of God. In no event shall Bosch have any liability or responsibility whatsoever for damage to surrounding property, including cabinetry, floors, ceilings, and other structures or objects around the Product. Also excluded from this warranty are scratches, nicks, minor dents, and cosmetic damages on external surfaces and exposed parts; Products on which the serial numbers have been altered, defaced, or removed; service visits to teach you how to use the Product, or visits where there is nothing wrong with the Product; correction of installation problems (you are solely responsible for any structure and setting for the Product, including all electrical, plumbing or other connecting facilities, for proper foundation/flooring, and for any alterations including without limitation cabinetry, walls, floors, shelving, etc.); and resetting of breakers or fuses. TO THE EXTENT ALLOWED BY LAW, THIS WARRANTY SETS OUT YOUR EXCLUSIVE REMEDIES WITH RESPECT TO PRODUCT, WHETHER THE CLAIM ARISES IN CONTRACT OR TORT (INCLUDING STRICT LIABILITY, OR NEGLIGENCE) OR OTHERWISE. THIS WARRANTY IS IN LIEU OF ALL OTHER WARRANTIES, WHETHER EXPRESS OR IMPLIED. ANY WARRANTY IMPLIED BY LAW, WHETHER FOR MERCHANTABILITY OR FITNESS FOR A PARTICULAR PURPOSE, OR OTHERWISE, SHALL BE EFFECTIVE ONLY FOR THE PERIOD THAT THIS EXPRESS LIMITED WARRANTY IS EFFECTIVE. IN NO EVENT WILL THE MANUFACTURER BE LIABLE FOR CONSEQUENTIAL, SPECIAL, INCIDENTAL, INDIRECT, "BUSINESS LOSS", AND/OR PUNITIVE DAMAGES, LOSSES, OR EXPENSES, INCLUDING WITHOUT LIMITATION TIME AWAY FROM WORK, HOTELS AND/OR RESTAURANT MEALS, REMODELLING EXPENSES IN EXCESS OF DIRECT DAMAGES WHICH ARE DEFINITELY CAUSED EXCLUSIVELY BY Bosch, OR OTHERWISE. SOME STATES DO NOT ALLOW THE EXCLUSION OR LIMITATION OF INCIDENTAL OR CONSEQUENTIAL DAMAGES, AND SOME STATES DO NOT ALLOW LIMITATIONS ON HOW LONG IMPLIED WARRANTY LASTS, SO THE ABOVE LIMITATIONS MAY NOT APPLY TO YOU. THIS WARRANTY GIVES YOU SPECIFIC LEGAL RIGHTS, AND YOU MAY ALSO HAVE OTHER RIGHTS, WHICH VARY FROM STATE TO STATE. No attempt to alter, modify or amend this warranty shall be effective unless authorized in writing by an officer of BSH.

**How to Obtain Warranty Service:** To obtain warranty service for your Product, you should contact the nearest Bosch authorized service center.

**BSH Home Appliances Corporation** – 5551 McFadden Avenue, Huntington Beach, CA 92649 / 800-944-2904

# Dispositifs et avantages de votre nouveau sèche-linge

## Technologie DUOTRONIC®

Les niveaux d'humidité et de température sont constamment surveillés pour obtenir des résultats de séchage précis avec une vaste gamme de textiles. Tout le linge, des t-shirts à la layette de bébé, sort chaud et doux quand vous le voulez.

Une surveillance permanente garantit la consommation d'énergie la plus faible possible et réduit le gaspillage de jusqu'à 50 % par an.

## WRINKLEBLOCK™

Quand l'alarme se déclenche, vous n'êtes pas toujours satisfait de votre linge. La fonction **WRINKLEBLOCK™** vous donne une heure de culbutage par intermittence, pour éviter que le linge ne se froisse et fondamentalement réduire le temps de repassage.

## Tambours en acier inoxydable

Le tambour du lave-linge **Nexxt™** d'acier inoxydable pour le plus léger de soin.

## Charnière de porte à 180°

Enfin, une porte de sèche-linge qui s'ouvre jusqu'à 180° pour faciliter le chargement et le déchargement du linge. De plus, les portes des lave-linge et sèche-linge s'ouvrent en sens inverse. Le transfert du linge humide au sèche-linge se fait donc presque sans effort lorsque les appareils sont installés l'un à côté de l'autre.

## Fonctionnement silencieux

Les lave-linge Bosch font appel à des moteurs sans balais, à des systèmes de pompage suspendus et à des matériaux insonorisants pour qu'ils dégagent extrêmement peu de bruit pendant leur fonctionnement. Ceci signifie qu'il est possible de les installer de facto n'importe où dans la maison, sans qu'ils ne gênent personne.

## Râtelier de séchage

Le râtelier de séchage **Nexxt™** protège les textiles les plus délicats ou une paire de chaussures de tennis par exemple, et permet de les faire sécher sans malaxage. Il est installé standard sur le modèle **Nexxt™ Premium** ou disponible sinon comme accessoire.

## Filtre à charpie

Notre filtre à charpie pratique est situé à la porte du sèche-linge pour un accès facile. Les petites mailles du filtre à charpie retiennent même les plus petites particules de charpie. Et pour assurer l'efficacité du séchage, un voyant de filtre de charpie s'allume si le filtre a besoin d'un nettoyage immédiat.

## MISTCARE™

Les programmes **MISTCARE™** utilisent une quantité d'humidité supplémentaire pour assouplir les tissus, éliminer les faux plis et rafraîchir les pièces de linge composées d'un mélange de coton en éliminant les odeurs.

## Tuyau AQUASTOP®

Le tuyau **AQUASTOP®** arrête l'écoulement de l'eau s'il détecte une fuite pouvant provoquer une inondation.

**AVERTISSEMENT: Assurez-vous de bien suivre les instructions données dans cette notice pour réduire au minimum le risque d'incendie ou d'explosion ou pour éviter tout dommage matériel, toute blessure ou la mort.**

- **N'entreposer pas et n'utilisez pas d'essence ni d'autres vapeurs ou liquides inflammables dans le voisinage de cet appareil et de tout autre appareil.**
- **QUE FAIRE SI VOUS SENTEZ UNE ODEUR DE GAZ:**
  - Ne tentez pas d'allumer d'appareil.**
  - Ne touchez à aucun interrupteur. Ne vous servez pas des téléphones se trouvant dans le bâtiment où vous vous trouvez.**
  - Evacuez la pièce, le bâtiment ou la zone.**
  - Appelez immédiatement votre fournisseur de gaz depuis un voisin. Suivez les instructions du fournisseur.**
  - Si vous ne pouvez rejoindre le fournisseur de gaz, appelez le service des incendies.**
- **L'installation et l'entretien doivent être assurés par un installateur ou un service d'entretien qualifié ou par le fournisseur de gaz.**

# Table des matières

Définitions .....	31
<b>INSTRUCTIONS DE SÉCURITÉ IMPORTANTES .....</b>	<b>31</b>
Instructions de mise à la terre .....	33
<b>Instructions d'installation .....</b>	<b>34</b>
Introduction .....	34
Informations sur la mise au rebut .....	34
Avant d'installer le sèche-linge .....	34
Installation pas à pas .....	35
Branchement électrique .....	38
Branchement du gaz .....	38
Raccordement du conduit d'échappement .....	39
Accessoires .....	41
Préparation pas à pas au transport du sèche-linge .....	42
<b>INSTRUCTIONS D'UTILISATION .....</b>	<b>43</b>
Le bandeau de commande .....	43
<b>Informations de sécurité supplémentaires .....</b>	<b>44</b>
<b>Protection de l'environnement .....</b>	<b>44</b>
<b>Linge .....</b>	<b>44</b>
Détermination de la nature du tissu .....	44
Conseils pour le séchage .....	44
<b>Sélection du programme .....</b>	<b>45</b>
Options .....	45
Indicateur de déroulement du programme .....	45
Programmes automatiques .....	47
Programmes MISTCARE™ .....	47
Programmes assortis d'une durée .....	47
<b>Utilisation .....</b>	<b>49</b>
Utilisation du sèche-linge .....	49
Nettoyage du filtre à peluches .....	50
Utilisation du tiroir de séchage (options) .....	50
<b>Nettoyage et entretien .....</b>	<b>52</b>
Nettoyage du sèche-linge .....	52
Nettoyage du conduit d'échappement .....	52
Nettoyage des capteurs d'humidité .....	52
Nettoyage de la flasque .....	52
Changer l'ampoule de l'éclairage .....	53
<b>Dérangement et remèdes .....</b>	<b>54</b>
SERVICE ET RÉPARATIONS .....	56
<b>ÉNONCÉ DE GARANTIE DE PRODUIT LIMITÉE .....</b>	<b>57</b>

Vous venez d'acheter un sèche-linge Bosch et nous vous en félicitons. Vous venez de faire le même choix que font tous les consommateurs attendant de leur sèche-linge des performances exceptionnelles.

Ce sèche-linge se conforme à la norme ANSI Z21.5.1 / CGA 7.1-2002

Appareils de séchage des vêtements Vol. 1.

Ce sèche-linge offre une caractéristique particulièrement intéressante: il consomme peu d'énergie.

Une philosophie de fonctionnement simple, tout un éventail de programmes de séchage personnalisés et un agréable retour haptique attestant de la robustesse de l'appareil font de ce dernier un assistant pratique au service de votre foyer.

Ce sèche-linge Bosch offre les caractéristiques standard suivantes:

- Système de séchage hautement efficace et précis.
- Le grand tambour d'acier inoxydable avec une capacité d'augmente à 17,6 livres (8 kg).
- Hublot grand format (18 po/457 mm), et dispositif de verrouillage « interlock » avec arrêt automatique de la fonction du tambour.
- Fonctionnement extrêmement silencieux.
- Cycles automatiques contrôlés par des capteurs.
- Cycles chronométrés  
500 Series sèche-linge: 30 et 60 minutes  
800 Series sèche-linge: 10 à 150 minutes (dans le graduations de 10 minutes)
- Le programme court pour ½ chargement (25 minutes) (800 Series seulement)

Chaque sèche-linge quittant notre usine a subi des tests complets de performances et se trouve en parfait état de marche. Si vous souhaitez formuler quelque question que ce soit notamment sur l'installation de votre sèche-linge, notre équipe du service après-vente se fera un plaisir d'y répondre.

Vous trouverez d'autres informations et tout un choix de nos produits sur le site Web suivant:

[www.boschappliances.com](http://www.boschappliances.com)

#### Information

Veuillez s.v.p. lire et respecter l'intégralité de cette notice d'installation et d'utilisation, ainsi que toutes les informations qui ont été fournies avec ce sèche-linge.

## Définitions

### AVERTISSEMENT

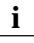
**Avvertissement** – Ce symbole vous prévient d'un danger de mort ou d'un risque de blessures graves si vous ne respectez pas l'avertissement qui l'accompagne.

### PRUDENCE

**PRUDENCE** – Ce message vous prévient d'un risque de blessures légères ou moyennement graves si vous ne respectez pas cet avertissement.

### NOTIFICATION

**NOTIFICATION** – Ce message vous prévient d'un risque de dégâts pour l'appareil ou la propriété est possible si vous ne respectez pas cet avertissement.

 Ce symbole est destiné à attirer votre attention sur quelque chose de particulier.

## INSTRUCTIONS DE SÉCURITÉ IMPORTANTES

### AVERTISSEMENT

Pour réduire le risque d'incendie, de choc électrique, de blessure grave ou de mort et/ou risque de dommages matériels pendant l'utilisation de votre sèche-linge, veuillez prendre des précautions de base incluant celles qui suivent.

1. Veuillez lire toutes les instructions avant d'utiliser le sèche-linge. Les sèche-linge Bosch sont fournis avec des instructions d'utilisation, de soin et d'installation.
2. Ne faites pas sécher des pièces de linge qui ont été préalablement

nettoyées, lavées et tachées avec ou trempées dans le l'essence, des solvants de dégraissage à sec ou d'autres substances dégageant des vapeurs susceptibles de **s'enflammer** ou d'exploser.

Pour réduire le risque **d'incendie**, ne mettez jamais dans le sèche-linge des vêtements, chiffons de nettoyage, accessoires de nettoyage à franges, comportant des traces de toute substance inflammable comme l'huile végétale, l'huile de cuisine, les huiles ou produits distillés à base de pétrole, les

cires, les graisses, etc. Une ou plusieurs substances inflammables peuvent être restées sur ces pièces de linge même après le lavage. Elles risquent de se mettre à fumer ou de prendre **feu** spontanément.

Ne mettez pas à sécher dans l'appareil des pièces de linge exposées aux huiles de cuisson. Ces pièces de linge contaminées par les huiles de cuisson peuvent contribuer à une réaction chimique qui ferait prendre feu à la charge de linge.

3. Le sèche-linge ne devrait servir qu'aux fins pour lesquelles il a été conçu.
4. Lorsque les enfants arrivent à l'âge de faire marcher l'appareil, leurs parents ou tuteurs légaux ont la responsabilité de veiller à ce que des personnes qualifiées leur enseignent des méthodes d'utilisation sûres.
5. Ne laissez jamais les enfants jouer dans ou sur l'appareil : il y a un risque de  **blessures**  graves ou de  **mort** . Les enfants doivent être tenus à une distance sécuritaire des électroménagers en tout temps. Les enfants doivent être laissés approcher un électroménager seulement sous la surveillance constante d'un adulte.-
6. AVANT DE METTRE L'APPAREIL HORS SERVICE OU AU REBUT, RETIREZ LA PORTE DU COMPARTIMENT DE SECHAGE.
7. N'introduisez pas les mains dans l'appareil tandis que le tambour tourne.
8. N'installez ou ne rangez pas cet électroménager dans un endroit où il sera exposé aux intempéries, à l'eau, à la moisissure, à la saleté, à un air corrosif ou salin, ou au froid extrême.
9. Ne cherchez pas à modifier les commandes de l'appareil.
10. Ne tentez pas de réparer ni remplacer quelque pièce que ce soit de l'appareil, ne le soumettez pas à des opérations de maintenance autres que celles spécifiquement indiquées dans les instructions de maintenance ou de réparation et permises à l'utilisateur, ceci à condition que vous en compreniez le contenu et ayez l'habileté requise pour réaliser ces opérations.
11. Pour supprimer l'électricité statique, n'utilisez pas d'adoucissant ou produit pour tissu, sauf si le fabricant le recommande.
12. Ne vous servez pas de la chaleur pour sécher des articles contenant du caoutchouc mousse (une étiquette peut indiquer la présence de mousse de latex) ou des matériaux en caoutchouc texturés de façon similaire. Les matériaux contenant du caoutchouc mousse peuvent, dans certaines circonstances, s'enflammer et brûler spontanément lorsque chauffés.
13. Ne mettez pas de pièces de linge contenant de l'oléfine nontissée par filage direct dans le sèche-linge. L'oléfine nontissée par filage direct peut  **prendre feu**  spontanément.
14. Avant et après le passage, nettoyez les peluches déposées sur le filtre. L'accumulation excessive de peluche peut causer des dommages au sèche-linge et créer un risque  **d'incendie** .
15. Veillez à ce que la zone située autour de l'orifice de sortie et les zones voisines soient exemptes de bourres, peluches et poussières accumulées. Un orifice obstrué risque de réduire le flux d'air et causer la surcharge.
16. Il faudrait que le personnel de service après-vente qualifié nettoie régulièrement l'intérieur de la machine et le conduit d'échappement d'air.
17. Si vous enlevez un capot ou panneau quelconque, incluant le couvercle de la lampe, vous risquez de vous exposer à des circuits électriques sous tension. Enlever tout panneau, incluant le panneau de service rond à l'avant peut aussi vous exposer à des arêtes coupantes, des pointes et des surfaces chaudes. Débranchez toujours l'alimentation électrique avec de tenter toute réparation. Débranchez le cordon en tirant sur la fiche et non le cordon.
18. Rangez tous les produits chimiques et accessoires de traitement du linge dans un endroit sec et frais, en respectant les instructions publiées par leurs fabricants. Cet endroit doit se trouver hors de portée des enfants. L'essence, les matières combustibles et les vapeurs, liquides et substances inflammables posant un risque d'incendie ne doivent pas être rangés près du sèche-linge.
19. Ne vous asseyez pas sur le sèche-linge.
20. Pour réduire le risque d'incendie ou de choc électrique, N'UTILISEZ PAS de prolongateur ni d'adaptateur pour raccorder le sèche-linge à une prise du secteur électrique. Les sèche-linge sont des appareils puissants qui nécessitent leur propre circuit électrique.
21. Toujours vérifier le contenu des poches des vêtements et secouer les articles de votre lessive avant de les placer dans le sèche-linge ; les objets inappropriés peuvent endommager le sèche-linge et certains articles tels que les briquets peuvent constituer un  **risque d'incendie** .
22. Pour réduire les risques d'incendie ou de choc électrique, n'utilisez pas le sèche-linge si le cordon d'alimentation est effiloché ou endommagé ou si les prises sont lâches.
23. N'utilisez pas le sèche-linge si des gardes et ou des panneaux ont été enlevés ou si des pièces sont manquantes ou cassées.
24. Ne tentez pas de contourner un dispositif de sécurité quelconque.
25. N'utilisez pas de conduit flexible en plastique ou non métallique avec ce sèche-linge. Les conduits en plastique ou non-métalliques peuvent poser un  **risque d'incendie** .
26. Ne faites pas marcher le sèche-linge si vous n'êtes pas certain qu'il a été installé conformément aux INSTRUCTIONS D'INSTALLATION et que l'installation et la mise à la terre sont conformes aux règlements locaux et/ou aux autres règlements et exigences applicables.
27. Tout manquement à installer, entretenir et/ou faire marcher le sèche-linge en conformité avec les instructions du fabricant peut provoquer des dommages corporels et/ou des dégâts matériels.
28. Pour éviter d'endommager le sol ou la prolifération de moisissures, ne laissez pas l'eau répandue ou les éclaboussures en permanence autour de l'appareil ou sous celui-ci.
29. N'installez pas d'appareil au fuel dans le placard du séchoir.
30. Assurez-vous que tous les raccordements d'eau au sèche-linge sont dotés d'un robinet d'arrêt d'accès facile. Fermez le ou les robinets d'arrêt d'eau de l'appareil après l'utilisation en fin de journée.
31. Vérifiez régulièrement les raccords du boyau de remplissage pour vous assurer qu'ils sont bien serrés et ne fuient pas.



**Remarques :**

- A Les MISES EN GARDE et AVERTISSEMENTS IMPORTANTS figurant dans le présent manuel ne sauraient envisager toutes les situations possibles et imaginables. Faites preuve de bon sens, de prudence et de soin pendant l'installation, l'entretien et l'utilisation de ce sèche-linge.
- B Contactez toujours votre revendeur, distributeur, agent du service après-vente (SAV) ou le fabricant en présence de problèmes ou situations vous paraissant incompréhensibles.
- C Suivez toutes les consignes de sécurité fournies dans les INSTRUCTIONS D'INSTALLATION et les INSTRUCTIONS D'UTILISATION.

**Instructions de mise à la terre**

Il faut impérativement raccorder ce sèche-linge à la terre. En cas de dysfonctionnement ou de panne, sa liaison avec la terre réduira le risque de choc électrique en fournissant au courant électrique un chemin de passage à résistance électrique très réduite.

Cet appareil est équipé d'un cordon d'alimentation avec fil intégré de raccordement de l'appareil à la terre, et d'une fiche de raccordement à la terre. Il faudra brancher la fiche dans une prise femelle appropriée, reliée à la terre conformément à la réglementation et aux décrets locaux.

** AVERTISSEMENT**

Le branchement inexpert du fil chargé de raccorder l'appareil à la terre peut engendrer un risque de choc électrique. Avec l'aide d'un électricien agréé ou d'un technicien du service après-vente (SAV), vérifiez en cas de doute que le sèche-linge est bien raccordé à la terre. **NE MODIFIEZ PAS LA FICHE MÂLE** accompagnant l'appareil. Si elle ne rentre pas dans la prise, demandez à un électricien agréé de vous installer une prise femelle appropriée à ce sèche-linge.

**Conservez cette notice afin de pouvoir la consulter à nouveau ultérieurement.**

Si l'appareil doit un jour changer de propriétaire, remettez-lui le manuel en même temps que le sèche-linge.

**CONSERVEZ CETTE NOTICE**

# Instructions d'installation

## Introduction

Veillez lire ces instructions d'installation entièrement et soigneusement. Elles vous feront économiser du temps et des efforts et vous aideront à obtenir des performances optimales de votre sèche-linge. Veillez à bien respecter tous les avertissements et mises en garde énoncés.

### AVERTISSEMENT

AVERTISSEMENT – Risque d'incendie.

- L'installation du sèche-linge doit être réalisée par un installateur qualifié.
- Installez le sèche-linge conformément aux instructions du fabricant et aux codes locaux.
- Ne pas installer un sèche-linge en combinaison avec des matériaux de ventilation flexibles en plastique. Si un conduit en métal flexible (de type aluminium) est installé, il doit s'agir d'un type spécifique indiqué par le fabricant de l'appareil électroménager comme étant compatible avec les sèche-linge. Les matériaux de ventilation flexibles sont réputés comme pouvant s'affaisser, s'écraser facilement et emprisonner la charpie. Ces conditions auront tendance à bloquer la circulation de l'air du sèche-linge et à accroître le risque d'incendie.
- Pour réduire le risque de graves blessures ou de mort, suivez toutes les instructions d'installation.
- CONSERVEZ CES INSTRUCTIONS.

Les présentes instructions d'utilisation sont destinées à des installateurs qualifiés. Outre le respect de ces instructions, vous devez installer le séchoir conformément à toutes les réglementations locales ou bien, en l'absence de telles recommandations:

- Aux **Etats-Unis** : conformez-vous au National Electric Code, ANSI/NFPA70 – en son édition la plus récente / en conformité avec la réglementation édictée par l'Etat de résidence, la réglementation municipale et/ou locale.

- Au **Canada** : conformez-vous au Code Electrique Canadien C22.1 – en son édition la plus récente / en conformité avec la réglementation édictée par la province de résidence, la réglementation municipale et/ou locale.

L'installation du gaz doit être conforme aux codes locaux ou, en l'absence de codes locaux, selon le National Fuel Gas Code, ANSI Z223.1/NFPA 54 ou le Canadian Natural Gas and Propane Installation Code CAN/CSA-B149.1 et aux réglementations d'installation.

### Remarque :

Ce sèche-linge figure dans la liste UL et C-UL et offre un fonctionnement sûr jusqu'à une altitude de 7700 pieds (2350 m) sans qu'il ne faille modifier quoi que ce soit aux organes traversés par le gaz naturel.

## Informations sur la mise au rebut

### Mise au rebut de l'emballage

#### AVERTISSEMENT

Eloignez les enfants de tout carton d'emballage et composants d'emballage. Les feuilles en plastique et les cartons pliants comportent un risque d'étouffement.

Tous les matériaux composant l'emballage sont écologiques et recyclables. Pour contribuer vous aussi à la protection de la nature, mettez les matériaux d'emballage au rebut de façon respectueuse de l'environnement.

Pour connaître les circuits de mise au rebut, veuillez consulter votre revendeur ou les services compétents de votre mairie.

### Mise au rebut de l'ancien appareil

#### AVERTISSEMENT

Si l'appareil ne doit plus jamais servir, débranchez sa fiche mâle de la prise de courant, coupez son cordon d'alimentation et jetez-le avec la fiche mâle.

Pour empêcher que des enfants ne s'enferment dans l'ancien appareil et risquent leur vie, détruisez le système de fermeture du hublot ou retirez ce dernier.

Les appareils anciens ne sont pas des déchets sans valeur! Un recyclage respectueux de l'environnement permet de récupérer de précieuses matières premières.

Pour connaître les circuits de mise au rebut, veuillez consulter votre revendeur ou les services compétents de votre mairie.

## Avant d'installer le sèche-linge

### Déballage de l'appareil

Avant de connecter le sèche-linge à un système de conduits ayant déjà servi, veillez à ce que le système soit propre. Il est recommandé de faire nettoyer professionnellement le système de conduits tous les ans et lors de l'installation du sèche-linge à un système de conduits ayant déjà servi.

Un système de conduits propre contribue à diminuer la durée de séchage et à améliorer l'efficacité du sèche-linge.

### PRUDENCE

Ce sèche-linge est très lourd. Ne tentez pas de le soulever. Ne tentez pas de soulever l'appareil par certaines parties saillantes (sa porte par ex.). Vous risqueriez de les casser.

### NOTIFICATION

Retirez soigneusement tout l'emballage de l'appareil, ceci pour empêcher d'endommager des surfaces.

Vérifiez si le sèche-linge a subi des dommages lors du transport. N'installez pas un sèche-linge comportant des dommages visibles. En cas de doute, communiquez avec le marchand.

### Accessoires fournis

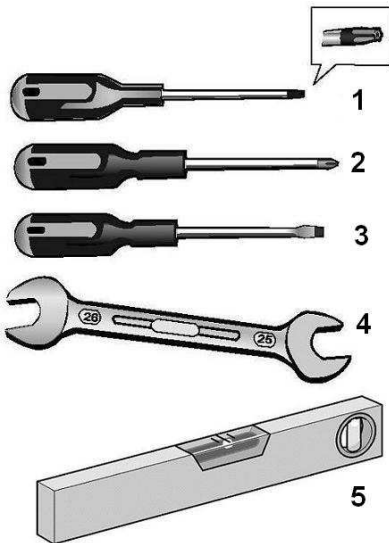
### NOTIFICATION

Après avoir retiré l'emballage, sortez tous les objets éventuellement présents dans le tambour.

## Outillage utile

Les outils suivants sont utiles pour l'installation:

1. Tournevis de tête d'étoilé de T20
2. Tournevis Phillips (#2)
3. Tournevis à lame plate (#2)
4. Clé à fourche (1 po/25mm)
5. Niveau à bulle



## Installation pas à pas

1. Déballez le sèche-linge.
2. Retirez tous les objets présents dans le tambour.
3. Vérifiez l'absence de dégâts apparents sur le sèche-linge.
4. Placez le sèche-linge à proximité de son emplacement définitif (consultez la page 36).
5. Si nécessaire, déplacez les charnières du côté gauche (consultez la page 41).
6. Si nécessaire, positionnez la sortie d'évacuation de l'air sur le sèche-linge par le côté ou par le bas (voir page 41).
7. Faites raccorder l'alimentation de gaz par un technicien qualifié (consultez la page 38).
8. Vérifiez le connecteur en « Y », le tuyau court et le Tuyau AQUASTOP® inclus dans l'emballage du sèche-linge (voir page 37).
9. Connectez l'arrivée d'eau à l'arrière du sèche-linge (voir page

37 pour obtenir des instructions détaillées).

10. Installez des conduits d'échappement au besoin.

Suivez les instructions d'installation fournie par le fabricant des pièces de conduits (consultez la page 39)

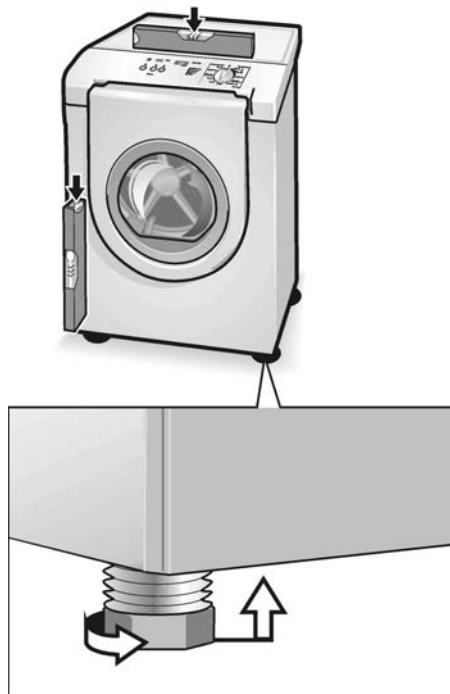
**i** En présence d'un espace très exigü, nous recommandons de fixer l'orifice de départ du conduit d'échappement sur le sèche-linge avant d'amener le sèche-linge sur son emplacement définitif.

11. Amenez le sèche-linge sur son emplacement définitif.

## NOTIFICATION

Ne faites pas glisser le sèche-linge sur le sol si ses pieds réglables en hauteur se trouvent en position sortie. Vous risquez d'endommager les pieds et/ou la base du sèche-linge si vous le faites glisser sur le sol avec les pieds en position sortie.

12. Positionnez le sèche-linge et mettez-le de niveau (consultez la page 35).



Il faudrait que le sèche-linge se retrouve bien à l'horizontale, avec ses quatre pieds fermement en appui sur le sol. Le sèche-linge ne doit pas osciller. S'il n'est pas parfaitement à l'horizontale ou s'il oscille, il faudra corriger le réglage des pieds. Vissez ou dévissez les pieds réglables en hauteur jusqu'à ce que le sèche-linge cesse de s'agiter et se trouve parfaitement à l'horizontale, tant de l'avant vers l'arrière que d'un côté à l'autre.

**i** Vous devrez éventuellement utiliser une paire de pinces pour maintenir le pied et l'empêcher de tourner avec l'écrou que vous serrez. Si le pied tourne, ce dernier va modifier la hauteur du coin.

13. Raccordez le conduit d'échappement à l'orifice prévu à cet effet sur le sèche-linge (consultez la page 40).
14. Branchez la fiche mâle dans la prise de courant murale (consultez la page 38).
15. Ouvrez le robinet de gaz.
16. Veuillez lire les instructions d'utilisation pour comprendre comme votre sèche-linge fonctionne. (consultez la page 43).
17. Soumettez l'appareil à un test:
  - Vérifiez que le tambour est vide.
  - Fermez la porte du sèche-linge.
  - Commutez le sèche-linge sur «Extra Dry» (Très sec) puis appuyez sur le bouton Start.
  - 3 à 5 minutes plus tard, appuyez sur le bouton Stop puis ouvrez la porte.
  - Si l'intérieur du tambour paraît chaud, ceci signifie que vous avez connecté le sèche-linge correctement. Commutez l'interrupteur sur «OFF».

- ❑ Si le sèche-linge ne fonctionne pas, commutez le sèche-linge sur «OFF». Consultez la section de ces TROUBLESHOOTING consacrée au dépannage (page 54) et essayez de localiser le dérangement.

### Lieu d'installation

## ⚠ AVERTISSEMENT

N'installez pas ce sèche-linge :

- hors de locaux fermés par une porte,
- dans un environnement où de l'eau goutte,
- près de matériaux inflammables,
- dans des locaux comportant un risque de gel,
- dans des locaux pouvant contenir du gaz, de l'essence ou d'autres combustibles,
- dans des placards à portes fermant à clé et dans des alcôves.
- avec d'autres appareils brûlant du combustible et placés dans le même réduit.

Le local d'installation doit être bien aéré, sinon le sèche-linge fonctionnera en dessous de ses performances optimales.

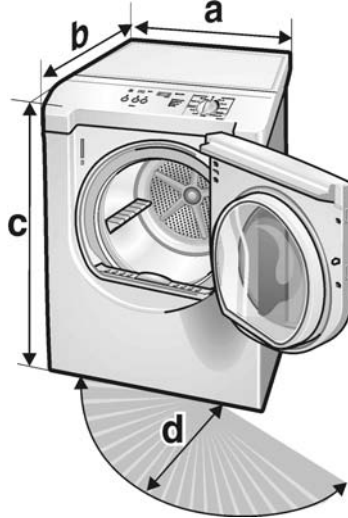
Ne faites pas marcher le sèche-linge à des températures supérieures à 104 °F (40 °C) et inférieures à 41 °F (5 °C). Les basses températures affectent le séquençage automatique des programmes et peuvent allonger la durée de séchage.

La surface sur laquelle se trouve le sèche-linge doit être propre, horizontale et dure. N'installez jamais l'appareil sur des tapis et moquettes. Compensez les irrégularités du sol par ses pieds réglables en hauteur. Installez le séchoir, puis assurez sa planéité latéralement et d'avant en arrière. Utilisez un niveau à bulle. N'enlevez jamais les pieds réglables en hauteur!

Les dimensions de la surface d'installation dépendent de celles du sèche-linge. Vérifiez qu'il reste suffisamment de place pour que sa porte puisse tourner!

## ⚠ AVERTISSEMENT

Si le sèche-linge a été installé dans un garage, il faut le placer sur une plate-forme plus haute d'au moins 18 pouces (46 cm) que le sol environnant, ceci pour supprimer tout risque que des vapeurs inflammables ne prennent feu. Il faudra en outre le positionner et le protéger de sorte qu'aucun véhicule ne puisse l'endommager.



	Dimensions	Poids
a	27,0" (686 mm)	125 lbs (56 kg)
b	31,8" (808 mm)	avec l'emballage
c	37,2" (945 mm)	143 lbs (64 kg)
d	19,7" (500 mm)	angle 170 - 180°

Si vous installez le sèche-linge dans un placard d'encastrement, respectez les distances minimums conformément au tableau ci-dessous :

Distance minimum à respecter lors de l'installation

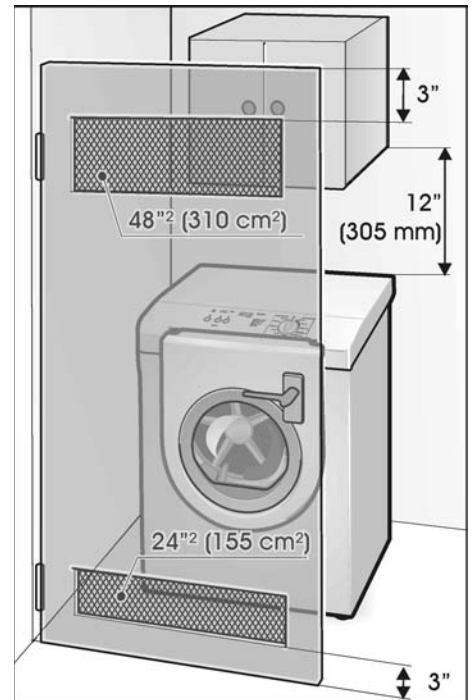
	Placard
Côtés	0" (0 mm)
Dessus	12" (305 mm)
Arrière*	0" (0 mm)

\* laussi près du mur que ne le permettent de la tuyauterie de gaz ou l'évacuation de l'air ou le branchement de l'eau.

Informations importantes sur les distances minimums

- Selon l'emplacement de la sortie de l'évacuation de l'air, prévoyez une distance supplémentaire minimale de 5,5 po (14 cm) de ce côté pour la tuyauterie/les supports (voir page 39).

- Avantages associés au maintien d'une distance plus importante (dégagements) que le minimum indiqué :
  - réduction du risque de formation de moisissure derrière l'appareil.
  - réduction de la transmission du bruit
  - facilité d'installation et de réparation
  - davantage d'air disponible pour refroidir le sèche-linge afin d'éviter qu'il ne chauffe trop et amélioration des performances de séchage.
- Si le sèche-linge est installé dans une petite pièce, les portes de la pièce doivent avoir des événements d'une taille minimum spécifiée. Consultez l'illustration ci-dessous pour des renseignements additionnels.



La porte du sèche-linge a été fournie avec des charnières sur la droite.

S'il faut les déplacer sur la gauche, consultez la page 41.

## Branchement de l'eau

Reliez le tuyau d'alimentation en eau à un robinet d'eau froide (celui-ci doit se trouver à 4 pi (1,2 m) de distance de la vanne d'admission d'eau située à l'arrière du sèche-linge).

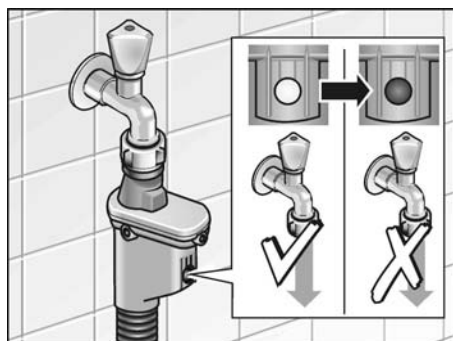
Une pression d'alimentation d'eau de 20 à 100 psi (1,37 à 6,89 bars) est recommandée pour obtenir les meilleures performances.

Un connecteur en « Y » est fourni ainsi qu'un tuyau court (en cas de besoin) pour le relier au robinet d'eau froide.

Tuyau **AQUASTOP®**

### NOTIFICATION

Le client est seul responsable de la fixation solide des raccords EXTÉRIEURS de tuyau. Le fabricant n'assume aucune responsabilité ou obligation pour tout raccordement EXTÉRIEUR de tuyau ou tout autre raccordement mal effectué.



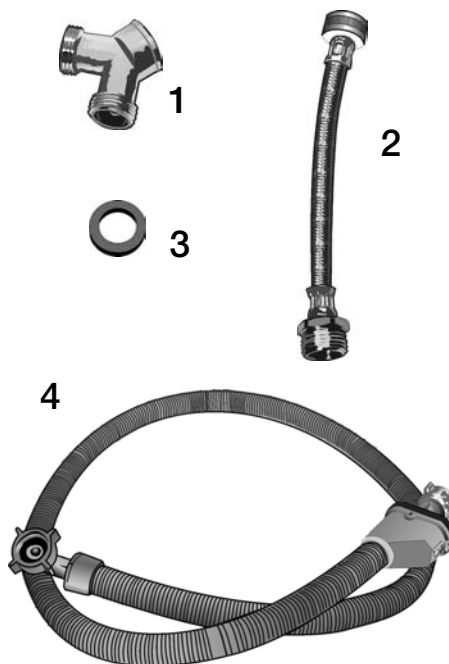
Le tuyau **AQUASTOP®** prévient les inondations possibles en cas de fuite du tuyau.

En cas de fuite du tuyau, une marque rouge s'affiche et l'arrivée d'eau est coupée.

- ❑ Un tuyau **AQUASTOP®** qui s'est déclenché ne peut pas être réinitialisé. Contactez le service clientèle pour obtenir un tuyau de rechange (voir page 56).

## MISTCARE™ Pièces fournies pour le sèche-linge

Les pièces suivantes sont incluses dans l'emballage de votre sèche-linge.

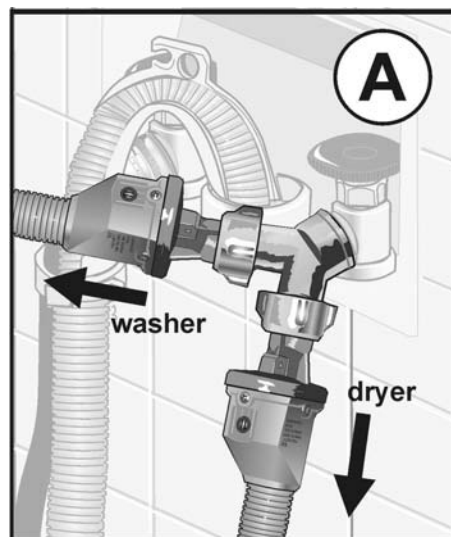


1. Connecteur en « Y »
2. Tuyau d'alimentation court en métal tressé
3. Rondelle de caoutchouc
4. Tuyau **AQUASTOP®**

### Branchement du tuyau d'alimentation

**i** Le sèche-linge doit être connecté au connecteur en « Y » à l'aide du tuyau **AQUASTOP®**. Ne pas utiliser un tuyau usagé.

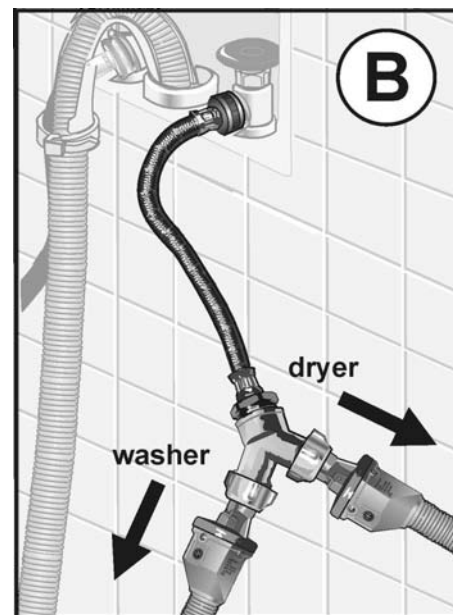
1. Fermez le robinet d'eau froide et retirez le tuyau d'alimentation de l'eau du sèche-linge.



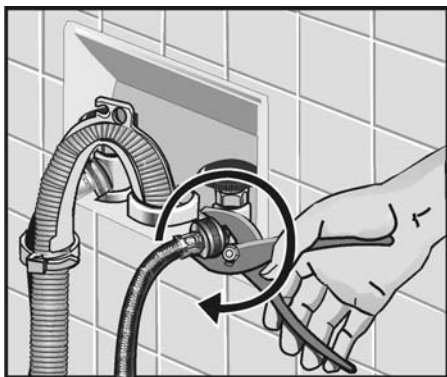
2. Avant de continuer, vérifiez que la rondelle de caoutchouc est bien introduite et positionnée sur l'extrémité femelle du tuyau court. La rondelle de caoutchouc est représentée sous le numéro 3 sur l'illustration des pièces fournies. Elle est illustrée séparément dans la représentation du tuyau pour plus de clarté.
3. Si l'espace le permet, reliez l'extrémité (femelle) auto-foréuse du connecteur en « Y » directement au robinet d'eau froide (option **A** comme le montre l'illustration ci-dessus) et continuez à l'étape 6.

### Installation facultative du connecteur en « Y »

Si le connecteur en « Y » ne peut pas être relié directement, utilisez le tuyau court fourni pour relier le connecteur en « Y » au robinet d'eau froide (option **B** comme représenté sur l'illustration), **et continuez en passant aux étapes 4 et 5.**



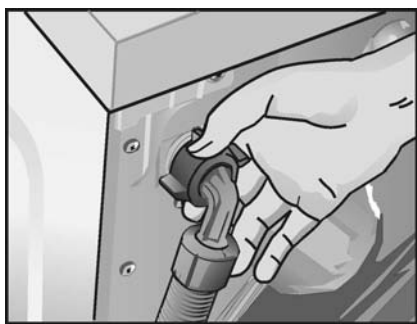
4. Reliez le tuyau court au robinet d'eau froide. Serrez la connexion à la main jusqu'à ce que le raccord se mette bien en place sur le robinet.
5. Utilisez une pince pour serrer la connexion de 2/3 de tour en plus.



**i** Ne pas trop serrer. Vous pourriez endommager le raccord.

6. Reliez le connecteur en « Y » au tuyau court. Serrez le raccord à la main jusqu'à ce qu'il soit bien en place sur le tuyau.
7. Reliez le tuyau d'alimentation d'eau froide du lave-linge au connecteur en « Y ». Serrez à la main.
8. Reliez le tuyau **AQUASTOP®** du sèche-linge à l'autre raccord du connecteur en « Y ». Serrez à la main.
9. Serrez les trois raccords sur le connecteur en « Y » de 2/3 de tour en plus à l'aide d'une pince.

**i** Ne pas trop serrer. Vous pourriez endommager le raccord.



10. Reliez le connecteur à angle droit sur le tuyau **AQUASTOP®** à la valve d'admission située en haut à gauche du sèche-linge.

**i** Vérifiez que la rondelle de caoutchouc ne tombe pas, et qu'elle est correctement positionnée sur le connecteur à angle droit.

11. **Serrez le raccord à la main** jusqu'à ce qu'il soit bien en place sur le connecteur. Ne pas utiliser de pince. Serrez uniquement à la main.

**i** Ne pas trop serrer. Vous pourriez endommager le raccord.

12. Ouvrez le robinet d'eau.
13. Vérifiez s'il y a des fuites autour du connecteur en « Y », du robinet et de tous les tuyaux.

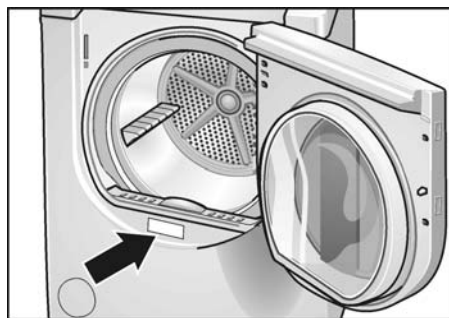
## Branchement électrique

### Instructions de mise à la terre

#### **⚠ AVERTISSEMENT**

Il faut raccorder le sèche-linge à une ligne spécifique dérivée du secteur et se terminant par une prise femelle réglementairement installée et raccordée à la terre.

La tension électrique présente dans votre foyer doit correspondre à la tension spécifiée sur le sèche-linge (voir sa plaque signalétique). Vous trouverez la plaque signalétique sur la face intérieure du panneau frontal.



Les spécifications de branchement et l'ampérage requis des fusibles / disjoncteurs figurent sur la plaque nominative de l'appareil.

Assurez-vous que :

- La fiche mâle du cordon d'alimentation est bien fixée dans la prise.
- Le cordon d'alimentation est bien adapté à cette application.
- Le circuit de raccordement à la terre a été correctement installé.

Le cordon d'alimentation peut être remplacé seulement par un technicien qualifié ou un électricien certifié.

Vous pouvez commander un cordon d'alimentation de remplacement auprès du service à la clientèle (consultez la page 56).

Volts	Hertz	Ampères	Watts
110-120	60	9	1080

## Branchement du gaz

#### **⚠ AVERTISSEMENT**

##### **Pour éviter Risque d'explosion!**

Utilisez un tuyau d'alimentation en gaz neuf et homologué AGA ou CSA.

Installez un robinet de fermeture. Serrez de manière sûre tous les raccords de gaz.

Demandez à une personne qualifiée de vérifier que la pression du gaz ne dépasse pas 14" (colonne d'eau)/ 3,49 kPa/0,509 psig (gaz naturel et propane).

Cette personne qualifiée peut être par exemple :

- un technicien détenteur d'une licence d'entretien des appareils de chauffage,
- le personnel agréé du fournisseur du gaz,
- le personnel agréé du service après-vente.

Si vous ne prenez pas ces précautions, vous vous exposez à un risque d'explosion ou d'incendie. Danger de mort ou de blessures! Tous les raccords situés sur la conduite d'alimentation en gaz devraient faire l'objet d'un contrôle d'étanchéité avant de faire marcher l'appareil. Appliquez de l'eau savonneuse sur tous les raccords et vérifiez la formation de nouvelles bulles. Ces bulles révèlent la présence d'une fuite !

Lors de l'installation du tuyau d'admission de gaz du sèche-linge, ne dépassez pas un couple de 26 lb-pi (35 Nm).

#### **⚠ AVERTISSEMENT**

N'utilisez jamais de flamme nue pour détecter la présence de fuites de gaz.

### Type de gaz

Ce gaz plus sec quand équipé pour l'usage avec LE GAZ NATUREL, emploiera une taille d'orifice 46 et a une pression de sortie de gaz de 3,5 dans W.C.

Votre sèche-linge doit avoir été équipé avec la vanne adaptée au type de gaz disponible chez vous. Les informations sur la vanne se trouvent sur la plaque signalétique elle-même située derrière la porte, au bas de l'orifice.

Si les informations figurant sur la plaque signalétique ne concordent pas avec le type de gaz disponible, veuillez contacter votre revendeur ou notre équipe du service après-vente (voir page 56).

## Conduite d'alimentation en gaz

Nous recommandons l'emploi d'une conduite faisant  $1/2$ " de diamètre intérieur.

Les conduites de  $3/8$ " sont admises aux conditions suivantes: la conduite doit faire moins de 20 pieds de long (6.1 m);

si la réglementation locale et le fournisseur de gaz admettent de telles conduites.

La conduite doit comprendre une dérivation enfichée  $1/8$ " à filetage NPT, en amont de la connexion du gaz.

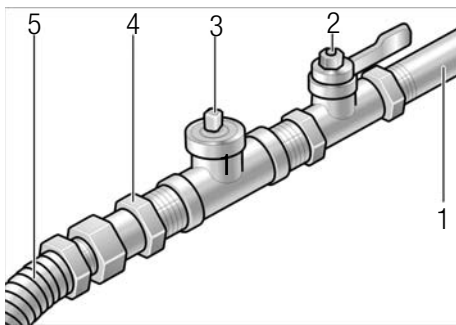
Prévoyez un robinet de fermeture :

### – Etats-Unis :

Il faut installer un robinet individuel de fermeture manuelle à 6 pieds (1,8 m) du séchoir, ceci conformément au National Fuel Gas Code (Code national sur le gaz combustible), ANSI Z223.1/NFPA 54.

### – Canada :

Il faut installer un robinet individuel de fermeture manuelle conformément à B149, aux règlements d'installation, à CAN/CSA B149.1 et CAN/CSA B149.2. Nous recommandons d'installer un robinet individuel de fermeture manuelle à 6 pieds (1,8 m) du séchoir.



- 1 – Conduite d'alimentation en gaz à filetage  $1/2$ " NPT
- 2 – Robinet de fermeture du gaz
- 3 – Dérivation enfichée à filetage  $1/8$ " NPT
- 4 – Conduite  $3/8$ " aboutissant à la robinetterie adaptatrice
- 5 – Raccord flexible à gaz,  $3/8$ " (vers le sèche-linge)

Il faut que le robinet de fermeture reste aisément accessible pour pouvoir l'ouvrir et le fermer chaque fois que nécessaire.

## Conduite de gaz du sèche-linge

La conduite de gaz qui sort par l'arrière du sèche-linge présente un filetage mâle de  $3/8$ ".

### Remarque:

Si les raccords à gaz se sont cassés, vérifiez ensuite que le séchoir fonctionne correctement.

## Branchement du sèche-linge

### ⚠ PRUDENCE

Le branchement est exclusivement réservé à un technicien agréé. Avant d'effectuer l'essai sous pression, il faut débrancher le sèche-linge du réseau d'alimentation en gaz. Lors du premier emploi du sèche-linge, assurez-vous qu'il n'y a pas d'air dans le réseau de conduites.

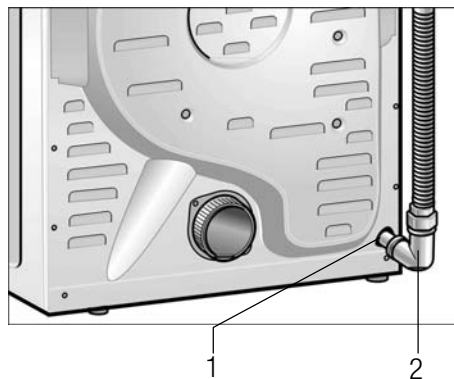
### ⚠ AVERTISSEMENT

Si l'appareil doit être raccordé au gaz naturel, n'utilisez pas de conduites et tubes en cuivre.

Les modalités de branchement peuvent différer suivant le type de conduite d'alimentation, sa taille et son emplacement.

Si la réglementation locale le permet, servez-vous, pour raccorder le sèche-linge, d'un raccord flexible en acier inoxydable (d'une conception agréée par l'American Gas Association ou par CSA International).

+



Pour réduire la distance entre la tôle du corps et le mur, installez un coude de  $3/8$ " sur la conduite de gaz du sèche-linge.

- 1 – Conduite de gaz (à filetage mâle  $3/8$ " )
- 2 – Coude  $3/8$ "

## Raccordement du conduit d'échappement

### ⚠ AVERTISSEMENT

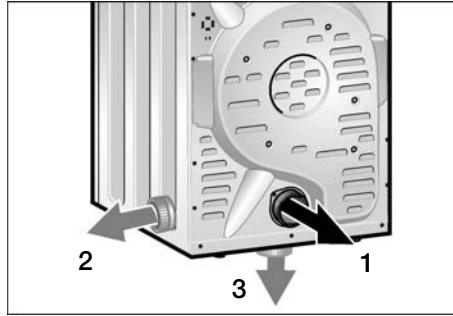
1. Pour réduire le risque d'incendie, il faut que le conduit d'échappement de ce sèche-linge aboutisse en plein air.
2. Pour réduire le risque d'incendie, ne pas utiliser des gaines et conduits plus longs que ce qui est recommandé. Reportez-vous au tableau des longueurs de conduit maximum (voir page 40).
3. NE PAS utiliser de conduits en plastique, en feuille métallique ou tout autre conduit non métallique avec ce sèche-linge. Seul un conduit en métal rigide ou flexible doit être utilisé pour l'évacuation. Les conduits en feuille métallique et les conduits flexibles ne sont PAS identiques.
4. NE PAS utiliser plus de 2,4 m de conduit en métal flexible.
5. UTILISER un conduit mesurant 4 po (102 mm) de diamètre.
6. NE PAS évacuer l'air du sèche-linge dans : une cheminée, un mur, un plafond, tout vide dissimulé d'un bâtiment, le conduit d'air froid d'une chaudière, un grenier, un vide sanitaire ou tout autre conduit ou gaine d'aération.
7. N'INSTALLEZ PAS un conduit flexible dans un mur, plafond ou plancher situé dans une enceinte.
8. N'ÉCRASEZ ET NE vrillez pas le conduit.
9. Nettoyez et vérifiez le circuit d'échappement de façon régulière, au minimum une fois par an.
10. Le conduit d'échappement doit se terminer de manière à empêcher tout refoulement d'air ou la pénétration d'oiseaux ou d'animaux non domestiqués.
11. N'UTILISEZ PAS de hottes aspirantes équipées de fermetures magnétiques.
12. NE PAS monter les conduits à l'aide de vis ou d'attaches qui débouchent à l'intérieur du conduit. Elles constituent un point d'accumulation de la charpie. Les joints doivent être obturés à l'aide de ruban en aluminium.

## Orifice de sortie d'air sur le sèche-linge

Ce sèche-linge a été livré avec un orifice de sortie d'air à l'arrière.

Pour tenir compte des impératifs architecturaux et de la présence d'un système préexistant d'échappement de l'air, il est possible de placer l'orifice de sortie à d'autres endroits :

- Sur le côté droit de l'appareil,
- Sur la face inférieure de l'appareil.



- 1 – Orifice de sortie d'air situé à l'arrière de l'appareil (standard)
- 2 – Orifice de sortie d'air sur le côté (option)
- 3 – Orifice de sortie d'air sur la face inférieure (option)

Des raccords d'échappement d'air sont disponibles auprès de votre marchand, d'un fournisseur de pièces ou du service à la clientèle pour un type de connexion ou l'autre (consultez la page 41).

- Kit de sortie par le côté
- Kit de sortie par le bas.

Il faudrait confier le changement d'orifice de sortie d'air (passage de l'orifice standard à un orifice en option) à un technicien qualifié.

## Conduit d'échappement

Le système d'évacuation du sèche-linge évacue l'air humide tandis que vos vêtements sèchent par culbutage.

Vous pouvez écourter la durée de séchage, économiser de l'énergie et contribuer à assurer la sécurité du système en veillant à ce que le système de conduits d'évacuation de votre sèche-linge soit correctement installé et entretenu.

### Points importants à prendre en compte :

- Les conduits d'échappement (la longueur totale du sèche-linge à la hotte d'échappement extérieure) doivent être aussi courts que possible (reportez-vous au tableau « Longueur maximale du conduit » à la page 40.)

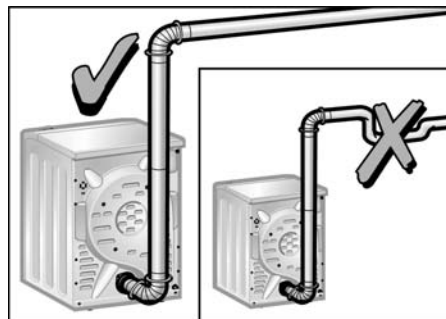
- Utiliser le moins de coudes possibles nécessaires pour installer le système de conduits d'évacuation. Éviter de placer deux coudes à 90° adjacents l'un à l'autre.
- Vérifiez et nettoyez le système de conduit et la hotte d'échappement au moins une fois par année et chaque fois que le rendement du sèche-linge diminue.

Éliminer les peluches accumulées pour éviter la baisse de circulation de l'air ou l'obstruction du système. Il est recommandé de faire nettoyer le système de conduits une fois par an par un service de nettoyage professionnel et lorsque vous raccordez votre sèche-linge à un système de conduits d'évacuation utilisé antérieurement.

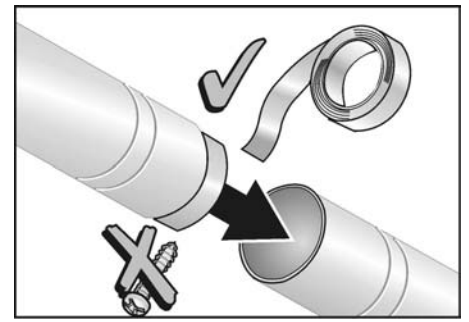
- Remplacer les sections de ventilation en plastique ou en feuille métallique par des conduits métalliques rigides ou flexibles. Il est recommandé d'utiliser des conduits métalliques rigides.

- i** Le propriétaire a la responsabilité de pourvoir à l'installation adéquate du système d'évacuation.

**Les problèmes résultant d'une mauvaise installation ne sont pas couverts par la garantie qui accompagne l'appareil.**



Les conduits d'évacuation dont la longueur est supérieure aux spécifications du tableau des longueurs de conduit maximum, page 40 ne sont pas autorisés. Le non respect des indications de ce tableau aura pour effet de prolonger la durée de séchage, d'entraîner l'accumulation de charpie et de nuire aux performances du sèche-linge ainsi qu'à la durée de vie de ce dernier.



Il faudrait que toutes les jonctions soit étanches pour éviter les fuites. La partie mâle de chaque segment de conduit doit regarder en direction opposée à celle du sèche-linge. Que vous raccordiez le conduit à un système d'aération préexistant ou à un nouveau système, assurez-vous que l'intérieur du conduit est intégralement propre et exempt de peluches. La longueur maximale autorisée pour un conduit rigide et pour un conduit rigide utilisé avec un conduit métallique flexible est indiquée au tableau ci-dessous. Si vous utilisez des conduits métalliques flexibles pour relier l'appareil au système de conduits, la longueur totale du conduit métallique flexible ne doit pas dépasser 2,4 m et celui-ci doit servir uniquement à relier le sèche-linge au système de conduits. Comme l'indique le tableau ci-dessous, la longueur de conduit maximum totale est réduite si l'on utilise des conduits flexibles.

### Longueur maximale de conduit

Nombre de virages ou coudes à 90°	Conduit rigide	Utilisation d'un conduit flexible combiné à un conduit rigide
0	66 ft. (2011 cm)	45 ft. (1372 cm)
1	56 ft. (1707 cm)	36 ft. (1097 cm)
2	48 ft. (1463 cm)	29 ft. (884 cm)
3	39 ft. (1189 cm)	22 ft. (671 cm)
4	30 ft. (914 cm)	16 ft. (488 cm)

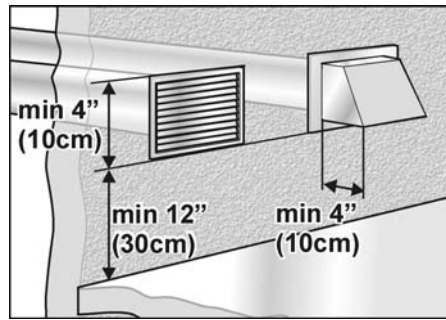
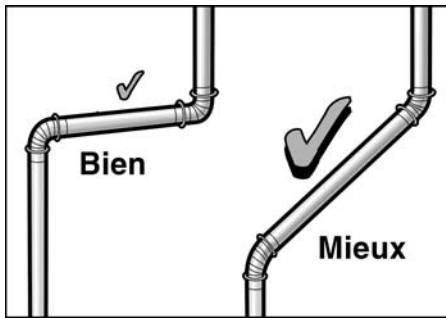
### Remarque:

Les installations latérales et inférieures font un angle de 90° à l'intérieur du sèche-linge. Tenez compte de ce facteur en utilisant le tableau ci-dessus.

Plus de deux coudes à 90° sont déconseillés. Pour obtenir les meilleures performances, veillez à ce que tous les virages soient distants



d'au moins 4 pieds les uns des autres, y compris la distance entre le dernier virage et la hotte d'échappement.

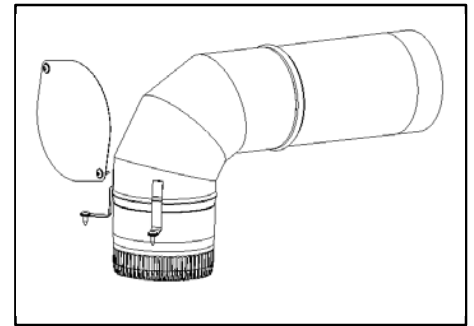


### Pièces de conduit requises

Les pièces nécessaires au système d'évacuation d'air (coudes, canalisations, bouches d'évacuation) ne sont pas incluses avec la sècheuse en livraison standard (voir la section consacrée aux accessoires pour de plus amples informations sur les commandes de pièces.)

L'installation professionnelle est recommandée pour le système de conduits.

### Kit de sortie par le bas.

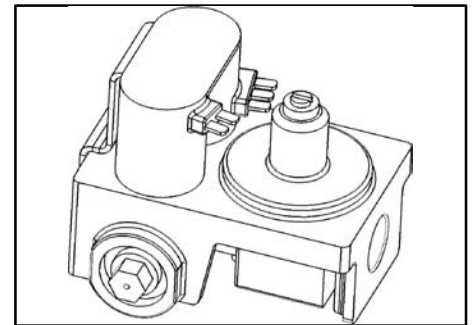


N° de réf. **WTZ 1270**

#### Remarque :

Voir les remarques concernant le nombre maximum de coudes page 40.

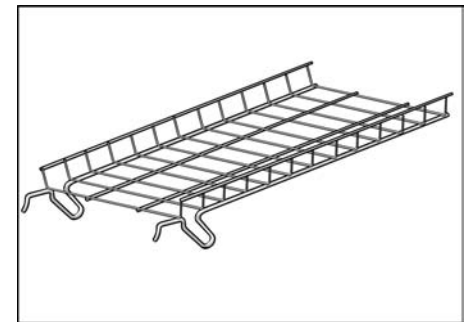
### Kit de LP-Gaz



N° de réf. **WTZ 1280**

Les pièces nécessaires pour la conversion au pl pourront vous être fournies par votre revendeur local. Veuillez s.v.p. suivre les instructions d'installation publiées par le fabricant correspondant.

### Tiroir de séchage



N° de réf. **WTZ 1290**

Servez-vous du tiroir de séchage pour sécher les textiles lavables en laine (les chandails par ex.) et les chaussures.

### Charnières gauches en kit

N° de réf. **WTZ 1260** (Sèche-Linge Blancs)

N° de réf. **WTZ 1260S** (Sèche-Linge Argentés et deux tons)

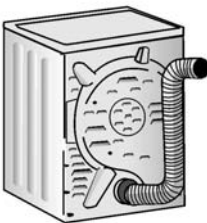
La porte est installée en usine avec les charnières sur la droite. Le loquet de la porte peut être inversé au besoin. Veuillez communiquer avec votre marchand ou le service à la clientèle (consultez la page 56).

### À NE PAS FAIRE



N'utilisez pas un conduit d'évacuation plus long que nécessaire

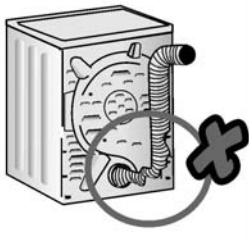
### À FAIRE



Faites en sorte que le conduit d'évacuation soit le plus court possible

### À ÉVITER

Éviter d'écraser ou de tordre les conduits d'évacuation



### Hotte d'échappement

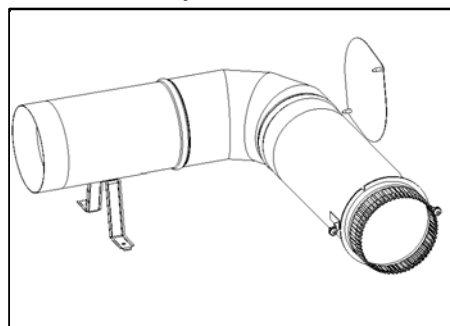
Le conduit doit se terminer par une hotte d'échappement homologuée présentant un ou plusieurs volets pivotant. N'UTILISEZ PAS de hotte d'échappement à fermetures magnétiques.

Pour éviter tout freinage de l'air sortant, il faudrait que la bouche de sortie se trouve au minimum 12 pouces (30 cm) au-dessus du niveau du sol ou de toute surface faisant obstruction.

## Accessoires

Vous pouvez obtenir les accessoires en option suivants auprès du service à la clientèle (consultez la page 56) ou de votre marchand local. Veuillez suivre les instructions d'installation fournies par le fabricant respectif.

### Kit de sortie par le côté



N° de réf. **WTZ 1265**

#### Remarque :

Voir les remarques concernant le nombre maximum de coudes page 40.

**i** Un outil spécial est nécessaire pour découper l'orifice d'évacuation dans le panneau latéral de la sècheuse.

Pour de plus amples informations, veuillez contacter votre revendeur local.

## Montage sur estrade

nombre accessoire de piédestal de 8  
pouces

N° de réf. **WTZ 1295** (Sèche-Linge  
Blancs)

N° de réf. **WTZ 1295S** (Sèche-Linge  
Argentés)

N° de réf. **WTZ 1295P** (Sèche-Linge  
Argentés de tonalité4 de duo)

nombre accessoire de piédestal de 15  
pouces

**WTZ 1500** pour la couleur blanche  
pleine

**WTZ 1500S** pour l'argent pleine

**WTZ 1500P** pour l'argent de tonalité  
de duo

**WTZ 1500C** de tonalité pour le  
champagne de tonalité de duo

Si le sèche-linge est monté sur un  
piédestal, suivez les instructions  
fournies avec celui-ci avant de  
continuer.

## Kit pour mobile-home

N° de réf. **WTZ 1275**

### Remarque :

Avec les autorités compétentes dans  
votre région, veuillez vérifier s'il est  
permis d'installer un sèche-linge dans  
votre mobile-home. Une fois cette  
vérification faite, l'installation sera  
conforme au Manufactured Home  
Construction and Safety standard, titre  
24 CFR, section 3280 (anciennement  
Federal Standard for Mobile Home  
Construction and Safety, titre 24, HUD  
(section 280)), et/ou au standard  
CAN/CSA - Z240 MH.

La trousse comprend un moyen de  
fixer le sèche-linge à la structure.

Reportez-vous à la page 39

«Raccordement du conduit  
d'échappement d'air» pour connaître  
les instructions sur l'installation de ce  
conduit.

Il faudra fixer le conduit d'échappement  
à une partie non combustible de la  
structure du mobile-home et le conduit  
ne doit pas déboucher par le bas du  
mobile-home.

Pendant l'installation, il faudra ménager  
une ouverture vers l'extérieur.

Assurez-vous que la surface libre de  
l'ouverture servant à l'admission d'air  
extérieur n'est pas inférieure à deux fois  
la surface de la bouche  
d'échappement d'air du sèche-linge,  
ou utilisez, dans cet orifice, un conduit  
d'échappement faisant au moins 5  
pouces de diamètre ou au moins 25  
pouces carrés.

## Préparation pas à pas au transport du sèche-linge

**i** Ces procédures doivent être  
effectuées uniquement par une  
personne qualifiée.

1. Fermez le robinet de gaz.
2. Amenez le programmateur  
sur «OFF».
3. Débranchez l'alimentation (couper  
le courant au disjoncteur,  
débrancher l'appareil).
4. Débranchez le conduit de gaz.
5. Fermez le robinet d'eau connecté  
au tuyau d'alimentation en eau.  
Débranchez le tuyau  
d'alimentation en eau.
6. Débranchez le conduit de l'orifice  
d'échappement d'air situé contre  
l'appareil.
7. Rassemblez tous les accessoires  
et emballez-les pour les expédier  
avec l'appareil.
8. Fermez la porte et maintenez-la  
fermée avec du ruban adhésif.
9. Révissez les pieds réglables  
en hauteur dans le corps de  
l'appareil pour empêcher qu'ils  
soient endommagés pendant  
le transport.
10. **Réinstallation du sèche-linge  
dans un nouvel emplacement** –  
reportez-vous aux  
instructions d'installation  
contenues dans ce manuel  
(consultez la page 34).

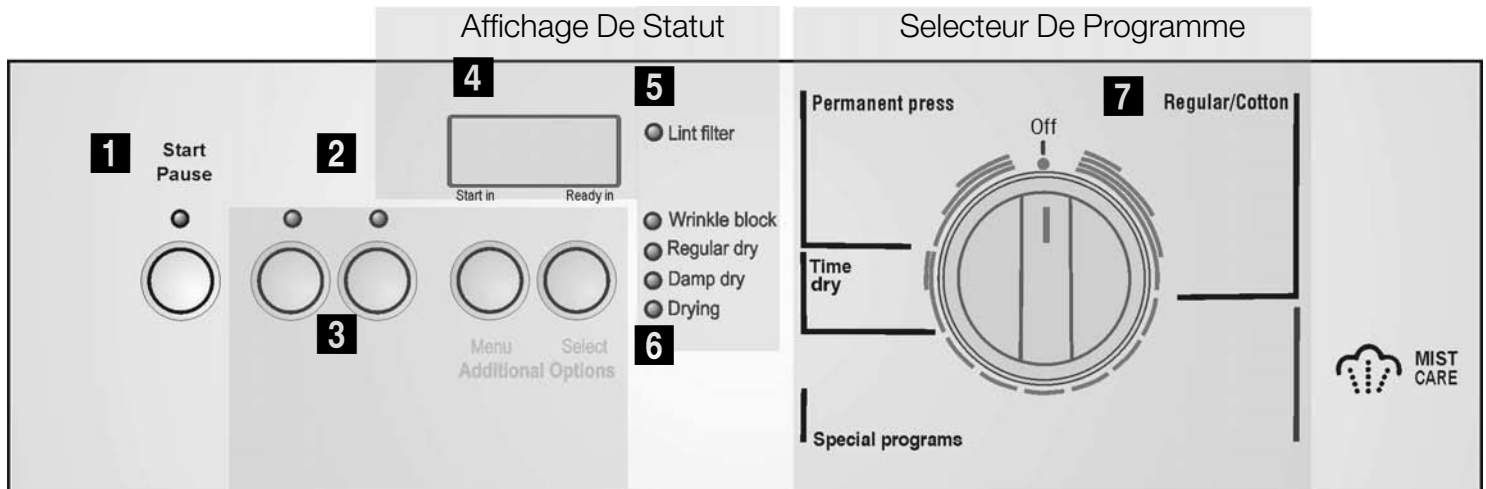
# INSTRUCTIONS D'UTILISATION

Avant d'allumer le sèche-linge

Le bandeau de commande

## AVERTISSEMENT

Before using your dryer, read and follow all installation and operating instructions.



Choisissez Les Fonctions Additionnelles

### 1 Bouton Start/Pause

Ce bouton sert à faire démarrer, à interrompre et à mettre fin au processus de séchage.

#### État du voyant DEL Démarrage/Pause

**Allumé en rouge :** Le programme est en marche et la touche "Pause" peut être activée.

**Clignotant :** Les paramètres peuvent être modifiés, le cycle de séchage peut démarrer ou le programme est en mode « Pause ».

**Non allumé :** Le programme est terminé ou il n'y a plus de programme sélectionné.

### 2 Boutons des options

Ajoutez des fonctions au programme sélectionné. La DEL du bouton d'option est allumée lorsque l'option est sélectionnée. Appuyez de nouveau sur le bouton d'option pour la désactiver (la DEL s'éteint).

#### Déliçats/Basse température :

Appuyez sur ce bouton pour les textiles sensibles à la température (par exemple les fibres en acrylique). La température du processus de séchage est réduite, la durée de séchage est prolongée en conséquence.

**ECO e :** Appuyez sur ce bouton pour faire des économies d'énergie supplémentaires (utiliser uniquement pour les programmes automatiques Coton et Perma-press). Appuyez sur le bouton d'option avant de démarrer un programme automatique.

### 3 Signal (500 Series)

Appuyez sur le bouton d'option pour activer un signal sonore qui indique la fin du programme (voir page 45). Le signal de la Série 800 est paramétré sur le menu LCD (voir page 45).

### 4 Ecran

#### Série 500 Plus

Indique la durée restante prévue des programmes.

#### Série 800

Indique les paramètres des options supplémentaires et la durée restante prévue des programmes. (voir page 45)

#### Options supplémentaires

**Menu** sélectionne l'une des options supplémentaires

**Select** (Sélection) modifie les paramètres de l'option sélectionnée

### 5 Le voyant de signalisation du filtre de fibre Clignote pour vous rappeler de nettoyer le filtre à charpie avant et après chaque utilisation.

Allumé (constamment) lorsque le hublot est ouvert en cours de programme ou lorsque le débit d'air est réduit à tel point qu'une erreur E:01 est générée (voir le guide de dépannage, page 54).

### 6 Voyant indicateur (LED)

Les DEL s'allument l'une après l'autre pour indiquer la teneur en humidité actuelle du processus de séchage.

**Wrinkle block** – à la fin du programme de séchage, un signal sonore retentit et la DEL Wrinkle block (Élimination des faux-plis) s'allume. La rotation du tambour s'opère à intervalles spécifiques pendant une heure pour éviter que la lessive ne se froisse (voir page 45).

### 7 Programmeur

Sélectionnez un programme. Voir page 17. Vous pouvez le faire tourner dans les deux directions.

Pour éteindre le sèche-linge, ramenez le programmeur sur la position «Off».

## Informations de sécurité supplémentaires

### AVERTISSEMENT

Respectez toujours les INSTRUCTIONS DE SÉCURITÉ IMPORTANTES (voir page 31).

## Protection de l'environnement

### Conseils pour économiser de l'énergie

Pour économiser de l'énergie, de l'argent et du temps, Bosch vous recommande ceci :

- **Essorez suffisamment le linge.**  
Avant le séchage, faites bien essorer le linge dans le lave-linge. Servez-vous de la plus haute vitesse d'essorage possible adaptée au type de linge. Une vitesse d'essorage assez élevée réduit la durée du séchage et la consommation d'énergie.
- **Mettez la charge maximale de linge.**  
Mettez une charge de linge correspondant au maximum recommandé. Ne chargez toutefois pas de quantités excessives de linge.
- **Nettoyez le filtre.**  
Nettoyez le filtre avant et après chaque séance de séchage (voir page 50).
- **Aérez la pièce.**  
Pendant la séance de séchage, veillez à ce qu'il arrive suffisamment d'air frais dans la pièce.
- **Ne séchez pas de matériaux inadaptés!**  
Ne faites pas sécher de pièces de linge enrobées de caoutchouc ou hermétiques.
- **Nettoyez et inspectez régulièrement le système d'évacuation !**  
Les blocages peuvent prolonger la durée de séchage ou empêcher le sèche-linge de fonctionner correctement.

## Débranchement temporaire du sèche-linge

Ne faites marcher votre sèche-linge que pendant que vous vous trouvez à votre domicile. En prévision d'un départ en vacances ou si vous devez ne pas utiliser le sèche-linge pendant une période prolongée, vous devrez :

1. Ramener le disjoncteur en position éteinte.
2. Débrancher la fiche mâle de la prise de courant (si possible).
3. Fermez le robinet de gaz.
4. Fermez le robinet d'eau
5. Nettoyer le filtre à peluches.

## Linge

### Détermination de la nature du tissu

Veuillez respecter les symboles de traitement figurant sur les étiquettes des pièces de linge. Elles contiennent des informations précieuses ainsi que des restrictions quant au processus de séchage.

Avec cet appareil, ne séchez pas les textiles suivants :

- Textiles étanches (par ex. enrobés de caoutchouc)
- Les textiles délicats (soie, voilages synthétiques)

**i** Séchez les textiles en laine ou à forte proportion de laine uniquement dans le tiroir de séchage.

**i** Servez-vous du programme à durée limitée «Air fluff/No heat» (Défouillage à l'air/aucune chaleur) pour sécher les articles contenant du caoutchouc mousse ou des articles à texture similaire à celle du caoutchouc.

### Conseils pour le séchage

En principe, les instructions suivantes s'appliquent à tous les programmes de séchage :

- Pour assurer un résultat de séchage uniforme, trie le linge conformément aux types de tissu et au programme voulu.
- Refermez les fermetures à glissières, les crochets et les œilletons. Fixez les ceintures

détachées, les lanières des tabliers, etc.

- Ne séchez pas à l'excès le linge synthétique – risque de le froisser ! Laissez ce linge finir de sécher à l'air.
- Ne repassez pas le linge immédiatement après le séchage. Laissez le linge reposer en pile pendant un petit moment. Ceci permettra à l'humidité résiduelle de se répartir uniformément.
- Les textiles à mailles (par ex. les t-shirts, le linge en coton tricoté en jersey) rétrécit souvent lors du premier séchage au sèche-linge. N'utilisez pas le programme «Very dry/Extra dry» (Très sec/Extra sec).

# Sélection du programme

Pour des résultats de séchage optimum, votre sèche-linge possède plusieurs groupes de programmes et options supplémentaires.

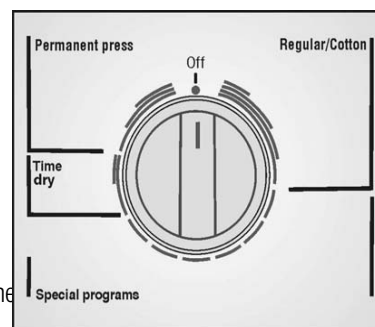
**Les programmes automatiques** comprennent Regular/Cotton (Normal/Coton) et Permanent press (Perma-press). La sélection des programmes est, entre autre, fonction du type de tissu à laver. Ces programmes sont contrôlés par des capteurs d'humidité. La durée des programmes est déterminée par la teneur en humidité mesurée dans la lessive et par le niveau de séchage sélectionné (par exemple, Damp dry (Sec/humide), Regular Dry (Sec/normal), Extra Dry (Très sec).

**Les programmes à minuterie** s'exécutent pour une durée de temps spécifiée par l'utilisateur. Le cycle programmé Air fluff/No heat (Duvetage/Sans chaleur) utilise l'air ambiant (à la température de la pièce) sans alimentation de chaleur et s'exécute pendant 20 minutes.

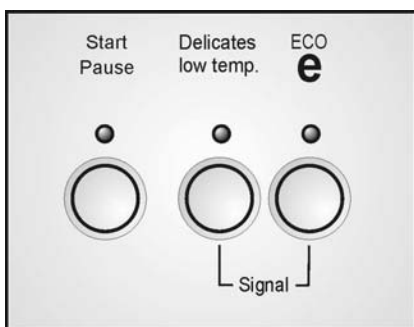
**Les programmes spéciaux** sont individualisés en fonction des types spécifiques de tissus, par exemple la laine ou les jeans. La laine ou les produits laineux doivent être séchés uniquement avec la grille du sèche-linge.

Les cycles **MISTCARE®** est particulièrement indiqué pour éliminer les faux plis et réduire les odeurs. Ces programmes doivent être utilisés avec des lessives contenant trois ou quatre articles en coton infroissable, composés d'un mélange de coton et polyester, des pull-overs en coton ou des synthétiques. Au cours de ce cycle, une faible quantité d'eau est vaporisée dans le tambour pendant le culbutage avec chaleur. Ce processus est répété, puis est suivi d'un culbutage supplémentaire et d'une période de refroidissement de courte durée. Le niveau de chaleur et la durée sont pré-réglés pour ces programmes. Remarque : Les résultats varient en fonction du type de tissu. Il est possible que les vêtements 100 % coton avec fini infroissable donnent de meilleurs résultats.

Si le gicleur s'arrête de vaporiser pendant l'un des cycles **MISTCARE®** (les symptômes à observer sont l'absence de vaporisation d'eau dans le tambour, des vêtements plus froissés qu'habituellement lorsque vous utilisez cette fonction), assurez-vous que le gicleur n'est pas bouché. La charpie peut s'accumuler sur le gicleur et bloquer son fonctionnement ou l'eau dure peut entraîner une accumulation de dépôts sur le gicleur (voir page 55).



## Option Boutons



**Delicates low temp.** (Déli-cats basse température)

Appuyez sur le bouton «Delicates low temp.» (Déli-cats basse température) pour sécher les textiles craignant la chaleur. Respectez les conseils ou symboles d'entretien figurant sur ces textiles. La température du processus de séchage diminue, la durée de séchage augmente.

### ECO e

Votre sèche-linge est doté d'une option « Économie d'énergie » ECO. Cette option est utilisée uniquement avec les programmes automatiques Coton et Perma-press. Moins de chaleur est appliquée et la durée de séchage est prolongée. Appuyez sur le bouton d'option avant de démarrer un programme automatique.

**i** Les "économies d'énergie" réalisées grâce au programme ECO e sont affectées par la taille de la charge de lavage, le type de textile et les conditions climatiques.

**i** En combinaison avec le bouton Delicates low temp. (Déli-cats/Basse température), ce programme peut faire réaliser des économies d'énergie supplémentaires.

### Signal (Signal sonore)

#### Serie 500

Votre sèche-linge émet différents signaux si vous avez appuyé sur le bouton «Signal». Usted puede permitir o puede incapacitar la señal por deprimir simultáneamente los botones mostrados. Tonos audibles entonces siguientes serán engendrados indicando el estatus del aparato.

Signal	Type
Départ	Signal bref
Fin	Séquence de tons courts
Dysfonctionnement	Séquence de tons longs
Alarme de dérangement	Séquence de tons longs

**i** Le signal «alarme de dérangement» fonctionne dans tous les cas.

## Indicateur de déroulement du programme

Le sèche-linge utilise un système de scannérisation électronique dans tous les programmes excepté les programmes à durée réglable. Un capteur d'humidité vérifie constamment l'humidité présente dans le linge. Le séchage prend fin automatiquement dès que le degré de séchage sélectionné a été atteint. Le tambour continue, pendant une heure, de tourner selon une intermittence spécifique afin d'empêcher le linge de se froisser. Les voyants renseignent sur le degré de séchage actuel et le niveau atteint pendant le déroulement du programme ; ces voyants correspondent à plusieurs degrés de séchage: drying (séchage en cours), damp dry (humide), regular dry (normalement sec), Wrinkle block (anti-froissage).



**i** Si le voyant «Wrinkle block» (bloc anti-froissage) s'allume une fois que le programmeur se trouve sur la position Off, ramenez le disjoncteur en position éteinte et prévenez le service après-vente.

## Programmes automatiques

### Regular/Cottons (ECOSENSOR Linge normal/Coton)

Pour le cotons et le linge de couleur en coton ou en lin Appuyez sur le bouton «Delicates low temp.» pour sécher les textiles craignant la chaleur.

<b>Damp dry</b> (Humide)	Lingerie de lit et de table	qu'il faut repasser
	Lingerie de lit et de table, serviettes, T-shirts, maillots de sport, tabliers	
	T-shirts, maillots de sport, tenues, pantalons, tabliers, lingerie de corps	
<b>Regular dry</b> (Normalement sec)	Serviettes en tissu éponge, serviettes de cuisine et à mains, lingerie de lit, lingerie de corps, chaussettes en coton	qu'il ne faut pas repasser
<b>Very dry</b> (Très sec)	Serviettes en tissu éponge, serviettes de cuisine et à mains, lingerie de lit, lingerie de corps, chaussettes en coton	qu'il ne faut pas repasser, à plusieurs couches épaisses
<b>Extra dry</b> (Extra sec)	Peignoirs de bain en tissu éponge, linge de lit en tissu éponge	particulièrement épais ou comportant plusieurs couches

### Permanent press ECOSENSOR (Infroissable)

Linge facile à entretenir (encore gouttant), à base de tissus synthétiques et mixtes, de coton, en polyester par ex.

Appuyez sur le bouton «Delicates low temp.» pour sécher les textiles très sensibles à la chaleur

<b>Damp dry</b> (Humide)	Pantalons, tenues, jupes, chemises, chemisiers, leggings, tenues de sport et fibres à fort pourcentage synthétique, lingerie	qu'il ne faut pas repasser ou alors seulement légèrement.
<b>Regular dry</b> (Normalement sec)	Chemises, chemisiers, tenues de sport	qu'il ne faut pas repasser
<b>Very dry</b> (Très sec)	Lingerie de lit et de table, survêtements, anoraks, draps	qu'il ne faut pas repasser, à plusieurs couches épaisses

## Programmes MISTCARE<sup>®</sup>

<b>MISTCARE<sup>®</sup> Refresh (Rafraîchissement)</b>	Coton, mélanges coton–polyester, tissus à maille courants et chemises synthétiques, pantalons constitués d'un mélange de coton, jupes, t-shirts et pull-overs. Les tissus infroissables donnent les meilleurs résultats. Permet d'éliminer les faux plis et de réduire les odeurs. Utilisez avec une petite lessive, par exemple 3 ou 4 chemises. La durée du programme est de l'ordre de 16 minutes.	
<b>MISTCARE<sup>®</sup> Wrinkle relax (Défroisser)</b>	Permet d'éliminer les faux plis. Utilisez avec une petite lessive, par exemple 3 ou 4 chemises. La durée du programme est de l'ordre de 12 minutes.	
<b>MISTCARE<sup>®</sup> Touch up (Retoucher)</b>	Ce programme est utilisé pour rafraîchir une lessive contenant des textiles en coton qui a été séchée et laissée dans le tambour à la fin de cycle jusqu'au lendemain matin. Ce programme de 20 minutes rafraîchit la lessive en éliminant les faux plis qui se sont formés du fait de la pression exercée sur le linge par le poids de la lessive.	
	Les vêtements contenant de la mousse, du caoutchouc ou du plastique doivent être rafraîchis sur une corde à linge ou moyennant le cycle Air–fluff/No heat (Défouillage à l'air/Aucune chaleur), car ces articles risquent de s'enflammer du fait de la chaleur émise par le programme MISTCARE <sup>®</sup> .	

## Special Programs

<b>Wool</b>	Textiles de laine lavables (par exemple les tricots, les pull-overs de laine, les jupes) <b>Faites sécher les textiles de laine ou en mélange de laine seulement avec la grille !</b>
<b>Jeans</b>	Tissu de jean lourd
<b>Quick (Rapide)</b> (Série 800)	Petites lessives, lessives qui n'ont pas besoin de sécher longtemps (par exemple les chemises de sport, les vêtements de travail [coton, synthétiques])

## Time Programs

<b>30 min., 60 min.</b> (500 Series) <b>Medium + required drying time</b> (800 Series) (Série 800) Si vous choisissez un programme avec durée variable (par exemple les programmes à minuterie, Wool Care [soin de la laine]) l'affichage commence à clignoter. Vous devez programmer la durée.	Les textiles pré-séchés à basse teneur en humidité, les articles individuels de petite taille, comme par exemple les serviettes de bain, les maillots de bain, les torchons. Pour les très petites lessives pesant de 0,22 à 0,44 lb (100 à 200 g) (une petite serviette par exemple), sélectionnez un programme de séchage court.  Appuyez sur le bouton «Delicates low temp.» si ces textiles sont sensibles à la chaleur. – Textiles sensibles à la chaleur.
<b>Air fluff / No heat</b> (500 Series) <b>Air fluff / No heat + required time</b> (800 Series)	Rafraîchissement ou aération de la lingerie peu portée et séchage de textiles craignant beaucoup la chaleur. Pour tous les types de textiles, y compris le caoutchouc mousse (par ex. les oreillers, les jouets rembourrés), le plastique (par ex. les rideaux de douche, les serviettes de table), le caoutchouc (par ex. les nattes à dos en caoutchouc, le nylon seul, le polypropylène).

## Options additionnelles 800 Series

**i** Avant de régler des options additionnelles, choisissez un programme par le programmeur.

Sélectionnez l'option que vous voulez modifier à l'aide du bouton «Menu». Appuyez sur le bouton pour passer à l'option suivante sur l'écran. Le symbole active commence à clignoter.

Les réglages de l'option actuellement active s'affichent sur la droite.



Maintenant, vous pouvez changer ces réglages à l'aide du bouton «Select». Appuyez sur le bouton pour passer au réglage suivant possible.

**i** Le fait d'appuyer à nouveau sur le bouton «Menu» vous permet de sauvegarder les réglages effectués. Si vous n'appuyez sur aucun bouton pendant 10 secondes, l'appareil mémorise les nouveaux réglages automatiquement.

Symbole	Fonction	Reglage possible	Explication
	Fixe l'heure de départ différé du sèche-linge (départ dans ... heures)	0-12 h (par pas de 0,5 h)	
	Extra care (Traitement encore plus doux que la fonction «Delicates/low temp.»)	On/Off	Si vous avez choisi l'option additionnelle "supplémentaire inquiétez-vous" la "température de Delicates/low." le voyant de signalisation illumine. Pression de la "température de Delicates/low." le bouton décommande l'option additionnelle "soin supplémentaire".
	Protection enfants (active seulement pendant la marche du programme)	On/Off	Cette option additionnelle vous permet de fermer vos arrangements pour empêcher l'utilisation fortuite du dessiccateur. Pour mettre en marche le dessiccateur quand la garde de sûreté est en activité : Appuyez sur et tenez le bouton "début / arrêt" pendant 4 secondes. Pour ouvrir cette option additionnelle quand le dessiccateur fonctionne : Appuyez sur et tenez le bouton "début / arrêt" pendant 4 secondes.
	Extra Drying Time (Durée de séchage supplémentaire) Degré de séchage à sélectionner par l'utilisateur	0, 1, 2, 3 (0=defaut, 1=plus sec, 3=le plus sec)	Si vous avez choisi les étapes 1 à 3 de l'option additionnelle "degré de la sécheresse" le symbole est montré. 0 est la norme plaçant 0 symboles n'est pas montré.
	Volume du signal sonore en fin de séchage et du signal prévenant que le linge a atteint le degré de séchage <b>Damp dry</b> (humide)	Off continuel maximal	Votre dessiccateur produit différents signaux pour certains événements. Vous pouvez permettre ou neutraliser le signal en enfonçant simultanément les boutons montrés.
	La durée de séchage optimisée par la vitesse de rotation coordonne le temps restant affiché pour le sèche-linge et la vitesse de rotation à laquelle la lessive a été préalablement essorée dans le lave-linge.	400 600 800 1000 1200	Pour optimiser la durée restante affichée, la vitesse de rotation à laquelle la lessive a été préalablement essorée dans le lave-linge peut être saisie par l'utilisateur.
			<b>Event</b>
			<b>Signal</b>
			Permettez le signal
			Tonalité courte
			Neutralisez le signal
			Deux tonalités courtes
			Commencez Le Cycle
			Tonalité courte
			Cycle D'Extrémité
			Ordre des tonalités courtes
			Défaut de fonctionnement
			Ordre de longues tonalités
			Avertir du défaut de fonctionnement
			Ordre de longues tonalités (maximum volume)



# Utilisation

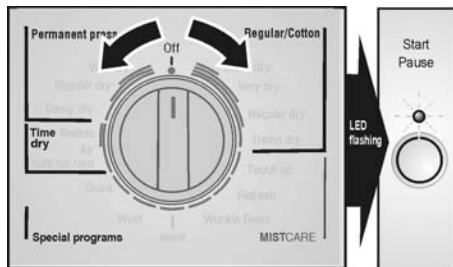
## Utilisation du sèche-linge

1. Ouvrez la porte.



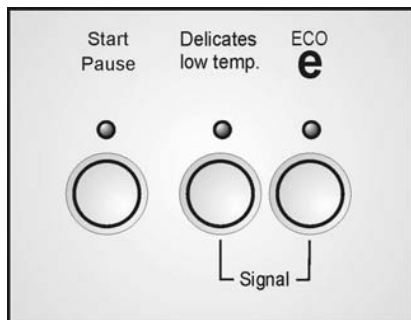
2. Le filtre doit être nettoyé avant et après l'utilisation du sèche-linge. Le nettoyage du filtre réduit la durée de séchage et permet de faire des économies d'énergie. (voir page 50 pour des instructions sur le nettoyage du filtre à charpie).

**i** La javel peut décolorer la face externe en couleur de sèche-linge. Pour cette raison, il est important de ne pas faire entrer en contact la face externe en couleur de votre sèche-linge avec de la javel. Si vous faites tomber de la javel sur sa face externe, nettoyez cette dernière immédiatement et avec soin à l'aide d'un essui-tout humide.



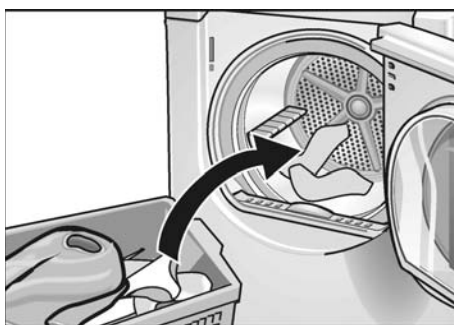
3. Amenez le programmateur sur le programme voulu. A l'aide du tableau de sélection, choisissez un programme adapté au linge présent dans le tambour (voir page 45). L'éclairage du sèche-linge s'allume dans le tambour.

**i** Le voyant «start/stop» se met à clignoter.



4. Si nécessaire, sélectionnez «Option» ("Delicates low temp" or "ECO e") en appuyant sur le bouton. L'explication des options figure à la page 45.

**i** Le temps restant prévu sera affiché.



5. Introduisez le linge dans le tambour vide. Placez individuellement chaque pièce de linge dans la machine. Pour obtenir les meilleurs résultats, triez d'abord le linge en fonction du type de linge et du degré de séchage requis. La page 44 contient des informations plus détaillées.

**i** Respectez les symboles de séchage utilisés par le fabricant du linge. Si vous voulez sécher des vêtements en laine ou des chaussures, reportez-vous aux informations figurant aux page 50.

Assurez-vous qu'il n'y a que du linge dans le tambour. Vérifiez que toutes les pièces de linge se trouvent entièrement dans le tambour.

6. Refermez la porte.



Le voyant «Start/Stop» se met à clignoter.

**i** Si vous n'avez pas fermé la porte correctement, le sèche-linge ne démarrera pas.

7. Appuyez sur le bouton «Start/Stop». Le voyant «Start/Stop» s'allume.

**i** Le programme démarre avec émission d'un signal sonore (si vous l'avez réglé).

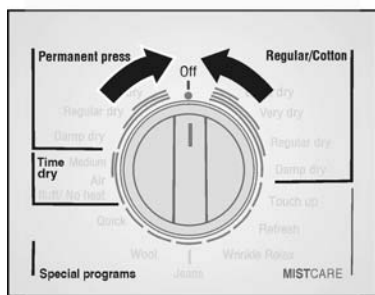
Si vous avez sélectionné un programme standard, les voyants indiquent le stade déroulement du programme.



**i** A la fin du programme, l'appareil émet un signal sonore (si vous l'avez réglé) et le voyant lumineux «Wrinkle block» (protection antfroissage) s'allume.

**i** Une fois le processus de séchage terminé (le programme ou le programme à durée réglable a pris fin), le tambour continue de tourner par intermittence pendant 1 heure. Ceci empêche le linge de se froisser. Le linge repose non tassé et bien défoulé dans le tambour jusqu'à ce que vous l'enleviez. Il faudrait retirer le linge au plus tard une fois cette période écoulée.

8. Ouvrez la porte.
9. Sortez le linge du sèche-linge.



10. Amenez le programmateur sur «Off».

L'éclairage du sèche-linge s'éteint.

11. Nettoyez le filtre. Il faudrait nettoyer le filtre après chaque séance de séchage. Le nettoyage du filtre réduit la durée de séchage et permet d'économiser de l'énergie.

12. Refermez le hublot.

## Nettoyage du filtre à peluches

Un filtre sale accroît la durée de séchage ainsi que la consommation d'énergie.

Il faudrait nettoyer le filtre avant et après chaque séance de séchage.

Si un signal d'alarme et un message E01 avertissement sont émis pendant un programme de séchage, nettoyez le filtre immédiatement et vérifiez le conduit d'échappement.

**i** Le programme s'interrompt automatiquement.

1. Eteignez le sèche-linge. Ramenez le programmateur sur «Off».

## **⚠ PRUDENCE**

L'intérieur de la porte s'échauffe pendant le séchage.

2. Ouvrez la porte.



3. Retirez le filtre à peluches.



4. Retirez les peluches en passant la main sur le filtre.

Le filtre devrait être légèrement frotté deux fois par an avec de l'eau savonneuse chaude. Le filtre est nettoyé quand il ne tient plus l'eau. Séchez bien le filtre avant de le remettre en place.



5. Remettez le filtre en place.
6. Refermez la porte.

## Utilisation du tiroir de séchage

(Accessoire, voir page 41)

**i** L'étendoir livré avec la sècheuse doit être utilisé pour faire sécher le linge conjointement avec le programme laine. Si l'étendoir n'est pas utilisé, le capteur mettra la sècheuse à l'arrêt au bout d'environ 7 minutes.

Servez-vous du tiroir de séchage pour sécher les textiles lavables en laine (les chandails par ex.) et les chaussures. Le tiroir de séchage reste immobile tandis que le tambour tourne. Evitez de déplacer la laine humide vu qu'elle a tendance à feutrer. Le séchage de chaussures sans utiliser le tiroir pourrait endommager le tambour.

## NOTIFICATION

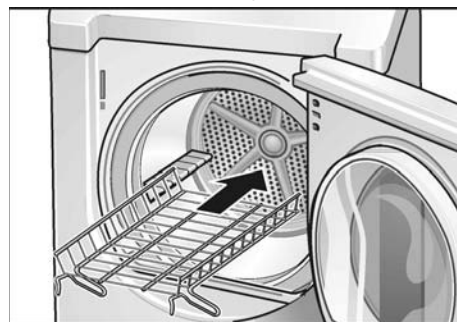
Ne faites sécher qu'un vêtement ou une paire de chaussures à la fois (charge maximale de linge sec 2,2 lbs (1 kg)). Il faut que le linge ait été essoré. Ne séchez que des chaussures préalablement lavées. Le linge ne doit pas toucher le tambour car il pourrait se coincer et être endommagé par le tambour. Après avoir utilisé le tiroir de séchage, retirez-le immédiatement du sèche-linge.

### Insertion du tiroir de séchage

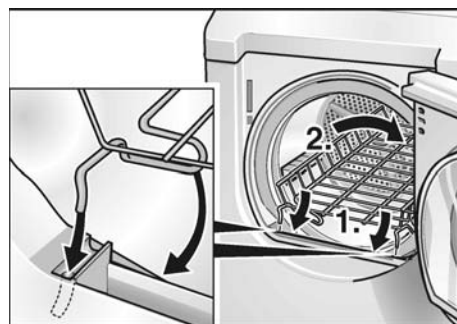
1. Ouvrez la porte du sèche-linge.
2. Vérifiez que le tambour est vide.



3. Retirez le filtre à peluches.



4. Soulevez le tiroir de séchage horizontalement pour l'introduire dans le tambour.



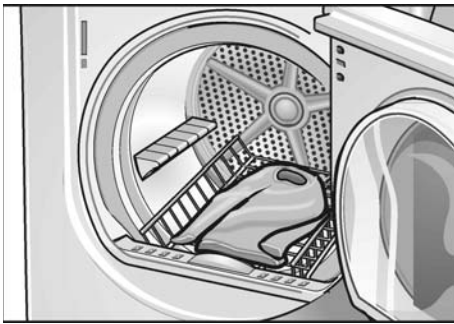
5. Placez le tiroir de séchage de telle sorte que les tiges pénètrent dans les trous de positionnement situés à l'avant.



6. Insérez le filtre à peluches.  
Introduisez le filtre en veillant à ce qu'il soit bien aligné sur le bord du tambour!

### Sécher des pièces de linge sur le tiroir

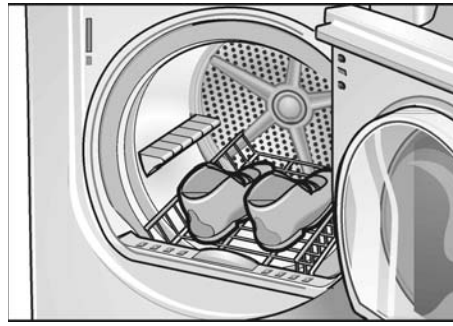
1. Pliez le linge pour qu'il rentre dans le tiroir.



2. Placez le linge non tassé dans le panier. N'appuyez pas sur le linge. Ce dernier ne doit pas toucher le tambour. Veillez à ce qu'aucune pièce de linge ne pende du tiroir.  
3. Refermez le hublot.  
4. Amenez le programmateur sur «Time dry/...min» (Séchage à durée réglable/...min).  
– Sélectionnez la durée de séchage à partir du tableau suivant, en respectant le type de linge.

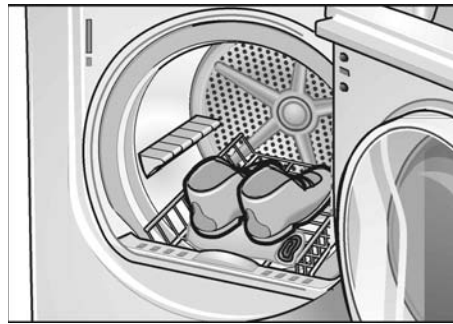
### Séchage de chaussures sur le tiroir :

1. Préparez les chaussures.  
 Nettoyez les chaussures pour empêcher le tambour de se salir.  
 Si vous préparez des chaussures de sport, étirez leur languette.  
 Desserrez ou retirez les lacets.  
 Retirez les semelles intérieures et les talonnettes.



2. Placez les chaussures sur le panier.  
 Directement sur le tiroir de séchage

ou



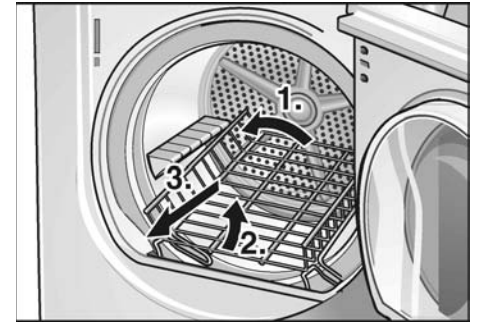
- Enroulez une serviette et placez les talons dessus. Ceci permettra d'obtenir un résultat de séchage plus uniforme.



3. Refermez la porte.  
4. Appuyez sur le bouton «Start/Stop». Le voyant «Start/Stop» s'allume.  
5. Si la pièce de linge concernée contient encore une humidité résiduelle une fois écoulée la durée de séchage indiquée :  
 Pliez cette pièce de linge de sorte que les parties humides se retrouvent exposées.  
 Relancez le programme et réduisez la durée du séchage en fonction du degré d'humidité résiduel requis.

6. Après le séchage, étalez le linge à l'air pendant approximativement 15 min. (les chaussures pendant env. 30 min.).

7. Retirez le filtre à peluches.



8. Sortez le tiroir de séchage du tambour.



9. Insérez à nouveau le filtre à peluches.

# Nettoyage et entretien

## PRUDENCE

La trappe d'accès située en bas à gauche du sèche-linge est réservée au personnel d'entretien. Elle ne doit être ouverte que par un technicien d'entretien agréé ou qualifié. (le panneau peut être caché de la vue par prolongation de porte).



## Nettoyage du sèche-linge

### AVERTISSEMENT

#### POUR EVITER RISQUE D'EXPLOSION !

Pour nettoyer, n'utilisez jamais de solvants ou de liquides inflammables.

## NOTIFICATION

Un nettoyage incorrect peut endommager le sèche-linge. Ne le nettoyez pas avec un jet d'eau. N'utilisez pas de produits récurants ou de détergents multi-usage. N'utilisez pas non plus de nettoyeurs à vapeur.

Essayez le corps de l'appareil et le bandeau uniquement avec un chiffon doux additionné d'un peu d'eau savonneuse.

Essayez le tambour, le joint de la porte et l'intérieur de la porte uniquement avec un chiffon humide.

## Nettoyage du conduit d'échappement

Inspectez et nettoyez le conduit d'échappement au moins une fois par an pour empêcher qu'il ne se bouche. Un conduit d'échappement partiellement obstrué allonge la durée de séchage.

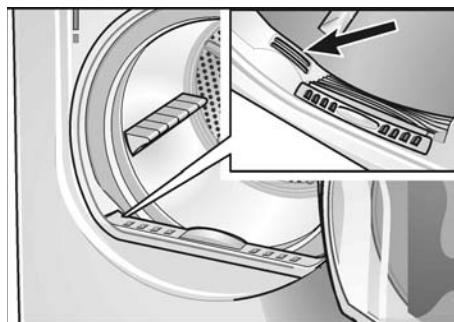
- Ramener le disjoncteur en position éteinte
- Débranchez la fiche mâle de la prise de courant
- Fermez le robinet de gaz.
- Débranchez le conduit du sèche-linge.
- Passez le conduit à l'aspirateur puis rebranchez-le.

### AVERTISSEMENT

Débranchez le raccordement du gaz avant de déplacer le sèche-linge pour nettoyer le conduit. Prendre garde de ne pas endommager le raccordement de gaz avant de nettoyer le conduit. Consultez la page 10 pour connaître les instructions pour rétablir le raccordement au gaz.

## Nettoyage des capteurs d'humidité

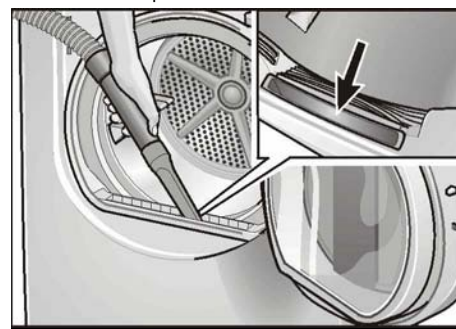
Il faut nettoyer les capteurs d'humidité de temps en temps vu qu'une couche fine de matière transparente se dépose dessus.



Ce dépôt s'enlève facilement en essuyant les capteurs (il s'agit des deux barres situées à côté du filtre à peluches) au moyen d'un chiffon et d'un peu de vinaigre blanc. N'utilisez que du vinaigre blanc. Nettoyez le capteur d'humidité une fois par mois.

## Nettoyage de la flasque

A la longue, les peluches créées par le processus de séchage se rassemblent dans la flasque.



Ces peluches s'enlèvent facilement avec l'aspirateur ; nettoyez au moins une fois par mois.

## Nettoyage du bec de MISTCARE™

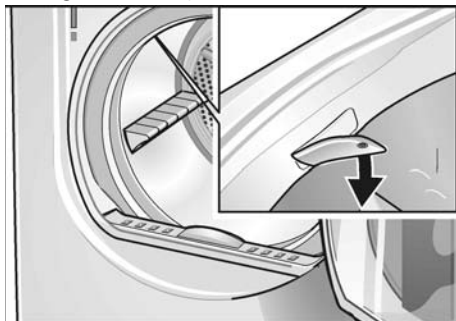
Inspectez une fois par an la sortie de bec. Si vous suspectez le colmatage, essuyez l'extérieur du bec avec un tissu humidifié du vinaigre. Si le gicleur est complètement bloqué, consultez le guide de dépannage (voir page 55) pour obtenir des instructions de démontage et de nettoyage. Si vous ne parvenez pas à déboucher le gicleur, appelez le service clientèle (voir page 56).

## Changer l'ampoule de l'éclairage

Lorsque vous ouvrez la porte, l'éclairage du tambour s'allume à l'intérieur du tambour.

Pour changer l'ampoule :

- Placez le sélecteur de programme à "off."
- Ramener le disjoncteur en position éteinte.
- Débranchez la fiche mâle de la prise de courant.
- Ouvrez la porte et localisez l'ampoule sur le côté supérieur gauche du joint.



- Desserrez la vis du couvercle puis ouvrez ce dernier.
- Tournez l'ampoule en sens inverse des aiguilles d'une montre. Remplacez-la par une ampoule neuve adaptée à l'appareil (fournie par le service après-vente).

**i** Toutes les pièces sont disponibles auprès de notre site [www.boschappliances.com](http://www.boschappliances.com) ou en appelant le 1-800-944-2904.

- Remettez le couvercle en place puis fixez-le en position à l'aide de la vis.
- Rebranchez la fiche mâle du sèche-linge dans une prise de courant.

# Dérangement et remèdes

## AVERTISSEMENT

### POUR ÉVITER LES RISQUES DE CHOC ÉLECTRIQUE !

La réparation ou le remplacement de pièces doivent être effectués seulement par un technicien qualifié ou un électricien certifié.

Avant d'appeler le service après-vente, vérifiez si vous ne pouvez pas supprimer la panne vous-même en vous servant du tableau ci-dessous. Si vous ne parvenez pas à la supprimer ou si une réparation s'impose :

1. Réglez le sélecteur de programme sur «Off».
2. Retirez le fusible.
3. Débranchez la fiche mâle de la prise de courant.
4. Appelez le service après-vente (voir page 56).

Problème	Cause possible	Remède
Le sèche-linge ne démarre pas. Le voyant «Start/Stop» ne s'allume pas.	Fiche mâle pas branchée du tout ou alors incorrectement dans la prise de courant.	Branchez la fiche mâle correctement dans la prise de courant.
	Un fusible / disjoncteur protégeant le secteur de la maison a grillé / disjoncté.	Remplacez le fusible / Réarmez le disjoncteur.
	Vous n'avez pas appuyé sur le bouton «Start/Stop»	Appuyez sur le bouton «Start/Stop»
	Vous n'avez pas sélectionné de programme.	Sélectionnez un programme.
	Porte pas fermée.	Refermez la porte.
	Température ambiante inférieure à 41 °F / 5 °C	Accroissez la température de la pièce
La lessive est mouillée après avoir séché.	La soupape d'arrête est fermée.	Ouvrir la soupape d'arrête.
Le programme a été interrompu. L'appareil émet un signal d'avertissement et la mention «E:01» s'affiche sur l'écran.	Le filtre à peluches est sale.	Nettoyez le filtre comme décrit à la page 50. Eteignez l'appareil puis rallumez-le ensuite.
	Le conduit d'échappement d'air obstrué ou trop long.	Nettoyez le conduit d'échappement. Ramenez la longueur du conduit d'échappement à la longueur maximale, comme décrit à la page 40. Eteignez l'appareil puis rallumez-le ensuite.
	Défaut dans le déroulement du programme ou dysfonctionnement.	Eteignez le sèche-linge, laissez-le refroidir pendant 30 minutes puis rallumez-le. Relancez ensuite le programme.
	La pièce / le réducteur n'est pas correctement aéré.	Prévoyez un apport suffisant d'air frais. Eteignez l'appareil puis rallumez-le ensuite.
Degré de séchage pas atteint ou durée de séchage trop longue. La mention «E:03» peut s'afficher sur l'écran	Capteur d'humidité sale.	Nettoyez le capteur d'humidité comme décrit à la page 52. Eteignez l'appareil puis rallumez-le ensuite.
	Conduit d'échappement d'air obstrué ou trop long.	Nettoyez l'orifice de sortie du conduit d'échappement. Ramenez la longueur du conduit d'échappement à la longueur maximale, comme décrit à la page 40. Eteignez l'appareil puis rallumez-le ensuite.
	Le filtre à peluches est sale.	Nettoyez le filtre comme décrit à la page 50. Eteignez l'appareil puis rallumez-le ensuite.
	Linge trop humide.	Dans le lave-linge, essorez le linge à une vitesse plus élevée. Eteignez l'appareil puis rallumez-le ensuite.
	Sélection d'un programme inadapté.	Sélectionnez le programme en vous servant du tableau de sélection des programmes (voir page 45). Eteignez l'appareil puis rallumez-le ensuite.
	Dépassement de la durée maximale de séchage	Nettoyez le filtre (voir page 50). Vérifiez l'orifice de sortie du conduit d'échappement. Dans le lave-linge, essorez le linge à une vitesse plus élevée.
	Dépassement de la température limite du moteur.	Eteignez le sèche-linge, laissez-le refroidir pendant 30 minutes. Rallumez-le ensuite. Faites démarrer un programme.
	Le degré de sécheresse n'a pas été réglé correctement.	800 Series, les cadres de changement pour le degré de sécheresse, voir la page 48
L'éclairage du tambour ne fonctionne pas.	Vous n'avez pas sélectionné de programme.	Sélectionnez un programme.
	Lampe défectueuse, ampoule grillée.	Changez l'ampoule, voir page 53.
	L'éclairage ne reçoit pas d'électricité.	Veillez à ce que l'électricité arrive.

Problème	Cause possible	Remède
	L'ampoule est lâchée.	Serrez l'ampoule. Enlevez et réinstallez la couverture comme dirigé à la page 50.
Le voyant «Start/Stop ne s'allume pas. Le voyant «Wrinkle block» est allumé. La mention «000» s'affiche sur l'écran.	Défaut dans le déroulement du programme ou dysfonctionnement.	Eteignez le sèche-linge, laissez-le refroidir pendant 30 minutes puis rallumez-le. Relancez ensuite le programme.
Le filtre LED de fibre clignote après que le filtre de fibre ait été nettoyé.	Le clignotement du filtre LED de fibre n'est pas une indication d'un problème. Il est employé seulement comme rappel pour nettoyer le filtre de fibre.	Aucune action requise. La LED cessera le clignotement.
Bruit inhabituel    Cognement	Les galets de suspension du tambour ont besoin de temps pour se réchauffer.	Aucune action requise. Lorsque les galets du système de suspension se réchaufferont, le cognement diminuera et devrait cesser après 2 ou 3 minutes de fonctionnement du sèche-linge.
Bruit inhabituel    Vibration constante	Le sèche-linge n'est pas de niveau.	Mettez le sèche-linge de niveau (consultez la section du manuel intitulée « Instructions d'installation »).
Bruit inhabituel    Vibration rythmique	Lessive en boule causant le bondissement de la charge.	Arrêtez le sèche-linge, séparez les pièces de linge et faites redémarrer le sèche-linge.
Unusual noise: Rhythmic vibration	Laundry balled up causing load to bounce.	Stop dryer, separate load items, restart dryer.
L'eau n'est pas vaporisée dans l'unité pendant les cycles <b>MISTCARE™</b>	Robinet(s) d'eau non ouvert.	Ouvrez le robinet d'eau.
	<b>La fonction de sécurité du tuyau AQUASTOP®</b> est activée.	Confirmez l'activation du tuyau <b>AQUASTOP®</b> en effectuant une inspection visuelle de l'indicateur rouge se trouvant dans le tuyau (voir page 37). Si l'indicateur rouge est visible (tuyau activé), remplacez le tuyau.
	Gicleur bloqué	Retirez le gicleur à l'aide d'une clé à douilles de 7/16 po. Placez le gicleur dans un récipient rempli de vinaigre de manière à recouvrir le gicleur. Laissez le vinaigre agir sur le gicleur pendant cinq minutes, puis essuyez délicatement l'embout du gicleur à l'aide d'une brosse à dents pour enlever les résidus. Rincez le gicleur et remettez-le en place dans le sèche-linge et serrez à la main, puis serrez de 1 tour de plus avec la clé.



# SERVICE ET RÉPARATIONS

## **⚠ AVERTISSEMENT**

**AVERTISSEMENT –**  
Répertoriez tous les fils avant tout débranchement de l'appareil lors de l'entretien des commandes. Les erreurs de câblage peuvent entraîner un mauvais fonctionnement de l'appareil pouvant causer de sérieux dégâts à l'appareil ou des blessures corporelles. Vérifiez que l'appareil fonctionne bien après tout dépannage.

Ce sèche-linge ne demande aucun entretien particulier autre que les opérations de nettoyage et entretien précédemment mentionnées.

**i** Si vous avez un problème avec votre sèche-linge, consultez le tableau de dérangement et remèdes à la page 54, avant d'appeler le service après-vente.

Si des opérations de SAV s'avèrent nécessaires, veuillez contacter votre installateur ou un point de SAV agréé. Ne tentez pas de réparer l'appareil par vos propres moyens. Toute réparation accomplie par des personnes non autorisées risque de vous faire perdre le bénéfice de la garantie.

Si le sèche-linge vous cause un problème quelconque, et si les prestations reçues ne vous ont pas satisfait,

- Commencez s.v.p. par contacter votre installateur ou l'entreprise de SAV Bosch agréée située dans votre région, et expliquez-lui les raisons de votre mécontentement. Ceci suffira normalement à résoudre le problème.
- Si le problème persiste après avoir collaboré avec votre installateur ou avec le technicien du SAV, faites-nous le savoir soit en nous écrivant à l'adresse suivante,

BSH Home Appliances Corporation  
5551 McFadden Ave.  
Huntington Beach, CA 92649,  
USA

soit en nous appelant au numéro suivant :

**1-800-944-2904.**

Si vous nous écrivez, n'oubliez pas de joindre / Si vous nous appelez, n'oubliez pas de préparer, les informations suivantes :

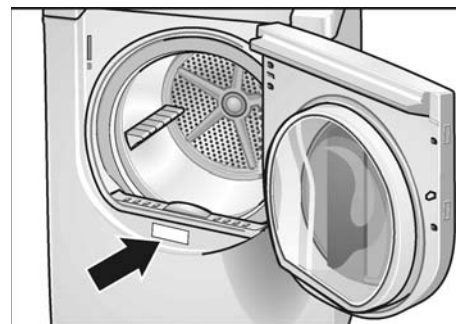
- Le numéro du modèle
- Le numéro de série
- La date d'achat d'origine
- La date d'apparition du problème
- Une description du problème

De même, si vous nous écrivez, veuillez joindre une copie de la facture et nous indiquer un numéro de téléphone où nous pouvons vous joindre dans la journée.

Vous trouverez le numéro du modèle et le numéro de série sur la plaque signalétique située sur la face intérieure du panneau avant.

L'image ci-dessous illustre l'emplacement approximatif de la plaque signalétique. Le numéro de modèle est entouré d'un rectangle. Le numéro de série est situé sous le numéro de modèle.

Un exemple est montré ci-dessous.



Le fabricant se réserve le droit d'effectuer des modifications au produit ou au manuel sans avis préalable.



# ÉNONCÉ DE GARANTIE DE PRODUIT LIMITÉE

Lave-linge Bosch Nexxt®

**Couverture de la garantie et application :** La garantie limitée fournie par BSH Home Appliances Corporation (Bosch) dans cet énoncé de garantie de produit limitée s'applique seulement au lave-linge Bosch Nexxt® (le « Produit ») vendu au premier acheteur utilisateur, mais à la stricte condition que le Produit ait été acheté : (1) pour un usage domestique normal (non commercial) et qu'il ait effectivement, en tout temps, été utilisé uniquement à des fins domestiques normales (tout usage commercial ou dans un environnement commercial de ce Produit annule automatiquement la garantie) ; (2) neuf au détail (non comme modèle exposé, « tel quel » ou préalablement retourné), acheté directement par le consommateur final, et non pour la revente ou l'utilisation commerciale ; et (3) aux États-Unis ou au Canada, et qu'il soit en tout temps demeuré dans le pays de l'achat d'origine. Les garanties énoncées aux présentes s'appliquent seulement au premier acheteur du Produit et ne sont pas cessibles. La garantie est automatiquement annulée si le Produit était un modèle exposé, s'il a été vendu « tel quel », trafiqué, s'il est abîmé ou s'il a été « vendu légèrement endommagé », ou si c'est un modèle qui a été préalablement retourné, octroyé gratuitement, un don de bienfaisance ou un prix de concours.

- S'assurer de retourner la carte d'enregistrement : Quoique non nécessaire pour que la couverture de la garantie prenne effet, elle constitue le meilleur moyen pour Bosch de vous prévenir dans l'éventualité improbable d'un avis de sécurité ou d'un retrait de produit.

**Durée de la garantie** Bosch garantit que le Produit est exempt de défaut de matière ou de fabrication pendant une période de trois-cent-soixante-cinq jours (365) jours à compter de la date d'achat. Cette période commence à courir à partir de la date d'achat.

**Réparation ou remplacement du produit comme recours exclusif :** Pendant cette période de garantie, Bosch ou l'un de ses prestataires de services agréés réparera le Produit sans frais de votre part (sous réserve de certaines limitations énoncées aux présentes) s'il s'avère que la fabrication du Produit présente un défaut de matière ou de fabrication. Si des tentatives raisonnables de réparation du Produit ont été faites sans succès, alors Bosch remplacera le Produit (des modèles mis à niveau peuvent être mis à votre disposition), à la seule discrétion de Bosch, moyennant des frais supplémentaires). Tout composant ou pièce enlevés deviennent la propriété de Bosch, à sa seule option. Toute pièce remplacée et/ou réparée doit assumer l'identité de la pièce d'origine aux fins de la présente garantie, et cette dernière ne sera pas prolongée au regard de ces pièces. La seule obligation et responsabilité de Bosch en vertu des présentes est de réparer seulement le Produit présentant un défaut de fabrication, par l'entremise d'un prestataire de services agréé Bosch aux heures normales de travail. Pour des questions de sécurité et de dommages à la propriété, Bosch recommande vivement de ne pas tenter de réparer soi-même le Produit, ni d'utiliser un service de réparation non autorisé. Bosch décline toute responsabilité ou obligation pour les réparations ou le travail effectués par un service de réparation non autorisé. Si vous choisissez de faire réparer le Produit par une personne autre qu'un prestataire de services agréé, CETTE GARANTIE DEVIENDRA AUTOMATIQUEMENT NULLE ET NON AVENUE. Les prestataires de services agréés sont des personnes ou des compagnies qui ont été spécialement formées pour les produits Bosch et qui possèdent, de l'avis de Bosch, une excellente réputation pour le service à la clientèle et des aptitudes techniques (il est à noter qu'il s'agit d'entités indépendantes et non des agents, partenaires, affiliés ou représentants de Bosch). Nonobstant les dispositions précédentes, Bosch n'assumera aucune responsabilité ou obligation à l'égard du Produit s'il est situé dans une région éloignée (plus de 100 miles (160 km) d'un prestataire de services agréé) ou s'il est raisonnablement inaccessible ou à un endroit, dans une zone ou dans un environnement dangereux, menaçants ou hasardeux ; dans un tel cas, si vous en faites la demande, Bosch pourrait payer les frais de main-d'œuvre et de pièce et expédier les pièces au prestataire de service agréé le plus proche, mais vous seriez quand même entièrement responsable pour tout déplacement ou autres frais spéciaux requis par le service de réparation, à supposer qu'il accepte d'effectuer une visite de réparation.

## Garantie limitée prolongée :

DURÉE DE LA GARANTIE	PORTÉE DE LA GARANTIE
Garantie limitée de 2 ans À compter de la date d'achat	Bosch fournira gratuitement les pièces de rechange de tout élément constituant s'avérant défectueux dans des conditions normales d'utilisation domestique pendant les deux premières années courantes à compter de la date d'achat, frais d'expédition normaux (non accélérés) inclus, frais de main-d'œuvre exclus.
Garantie limitée de 2 ans sur les composants électroniques À compter de la date d'achat	Bosch réparera ou remplacera gratuitement tout microprocesseur ou carte à circuits imprimés s'avérant défectueux dans des conditions normales d'utilisation domestique pendant les deux premières années courantes à compter de la date d'achat, frais de main-d'œuvre exclus.
Garantie limitée de 2 ans sur le moteur À compter de la date d'achat	Bosch réparera ou remplacera gratuitement tout moteur ou composant du moteur s'avérant défectueux dans des conditions normales d'utilisation domestique pendant les deux premières années courantes à compter de la date d'achat, frais de main-d'œuvre exclus.

**Produit hors garantie** Bosch n'est nullement tenu, en droit ou autrement, de vous offrir toute concession, y compris réparations, tarifs proportionnels ou remplacement de Produit, une fois la garantie expirée.

**Exclusions de la garantie :** La couverture de garantie décrite aux présentes exclut tout défaut ou dommage ne découlant pas d'une faute directe de Bosch, y compris sans limitation, un ou plusieurs des cas suivants : (1) utilisation du Produit d'une façon autre que normale, habituelle et prévue (y compris, sans limitation, toute forme d'utilisation commerciale, utilisation ou rangement d'un produit pour l'intérieur à l'extérieur, utilisation du Produit avec des vaisseaux aériens ou flottants) ; (2) mauvaise conduite volontaire de toute partie, conduite négligente, mauvaise utilisation, abus, accidents, négligence, exploitation irrégulière, manquement à l'entretien, installation inadéquate ou négligée, altération, manquement à observer les instructions de fonctionnement, manipulation sans précaution, service non autorisé (y compris le « bricolage » fait soi-même ou l'exploration du fonctionnement interne de l'appareil) ; (3) réglage, altération ou modification de toute sorte ; (4) manquement à se conformer à tous les codes électriques, de plomberie et/ou de construction de l'état, locaux, municipaux ou du comté, règlements ou lois en vigueur, y compris le manquement à installer le Produit strictement en conformité avec les codes et règlements d'incendie et de construction locaux ; (5) usure et détérioration normales, déversements d'aliments, de liquides, accumulation de graisse, ou autres substances accumulées sur, dans ou autour du Produit ; et (6) toute force et facteur externes, élémentaires et/ou environnementaux, y compris sans limitation, pluie, vent, sable, inondations, incendies, glissements de terrain, gel, humidité excessive ou exposition prolongée à l'humidité, foudre, surtensions, défauts de structure environnante de l'appareil, et catastrophes naturelles. En aucun cas Bosch n'assumera la moindre obligation ou responsabilité pour des dommages survenus à la propriété environnante, y compris armoires, planchers, plafonds et autres structures ou objets autour du Produit. Également exclus de la garantie sont les égratignures, éraflures, encoches mineures et dommages esthétiques sur les surfaces externes et les pièces exposées ; Les produits dont les numéros de série ont été modifiés, effacés ou enlevés ; les visites de service pour montrer au client comment utiliser le Produit ou les visites alors que le Produit ne présente aucun problème ; la correction de problèmes d'installation (vous êtes uniquement responsable de toute structure et réglage du Produit, y compris électricité, plomberie ou autres services utilitaires, pour un plancher/fondation appropriés et pour toute modification y compris, sans limitation, des armoires, murs, planchers, étagères, etc.) ; et pour la remise en fonction des coupe-circuits ou fusibles. **DANS LA MESURE OU LA LOI LE PERMET, LA PRÉSENTE GARANTIE ÉNONCE VOS RECOURS EXCLUSIFS À L'ÉGARD DU PRODUIT, QUE LA RÉCLAMATION SOIT DE NATURE CONTRACTUELLE OU DÉLICTEUELLE (Y COMPRIS LA RESPONSABILITÉ ABSOLUE OU LA NÉGLIGENCE) OU AUTRE. LA PRÉSENTE GARANTIE REMPLACE TOUTES LES AUTRES GARANTIES, EXPRESSES OU IMPLICITES. TOUTE GARANTIE IMPLICITE EN VERTU DE LA LOI, QUE CE SOIT À DES FINS DE QUALITÉ MARCHANDE OU D'ADAPTATION À UN BUT PARTICULIER, OU AUTREMENT, EST EN VIGUEUR UNIQUEMENT PENDANT LA PÉRIODE AU COURS DE LAQUELLE LA PRÉSENTE GARANTIE LIMITÉE EXPRESSE EST EN VIGUEUR. LE FABRICANT NE SERA EN AUCUN CAS RESPONSABLE DES DOMMAGES, PERTES OU FRAIS CONSÉCUTIFS, PARTICULIERS, ACCESSOIRES, INDIRECTS, ET/OU PUNITIFS, DES « PERTES COMMERCIALES », Y COMPRIS, NOTAMMENT, LE TEMPS D'ABSENCE AU TRAVAIL, L'HÉBERGEMENT ET/OU LES REPAS AU RESTAURANT, LES FRAIS DE REMANIEMENT EN EXCÉDENT DES DOMMAGES DIRECTS QUI SONT MANIFESTEMENT CAUSÉS EXCLUSIVEMENT PAR BOSCH OU AUTREMENT. CERTAINS ÉTATS NE PERMETTENT PAS L'EXCLUSION OU LA LIMITATION DES DOMMAGES ACCESSOIRES OU INDIRECTS ET CERTAINS ÉTATS NE PERMETTENT PAS LA LIMITATION SUR LA DURÉE D'UNE GARANTIE IMPLICITE, DE SORTE QUE LES LIMITATIONS CI-DESSUS PEUVENT NE PAS S'APPLIQUER À VOTRE CAS. LA PRÉSENTE GARANTIE VOUS DONNE DES DROITS JURIDIQUES SPÉCIFIQUES ET VOUS POUVEZ AVOIR ÉGALEMENT D'AUTRES DROITS QUI VARIENT D'UN ÉTAT À L'AUTRE.** Aucune tentative d'altérer, de modifier ou d'amender la présente garantie ne peut être effective à moins d'une autorisation écrite par un représentant de BSH.

**Obtention du service sous garantie :** Pour obtenir le service sous garantie pour votre Produit, contactez le centre de service autorisé de Bosch le plus proche.

**BSH Home Appliances Corporation** – 5551 McFadden Avenue, Huntington Beach, CA 92649 / 800-944-2904

# Características y ventajas de la nueva secadora

## Technologie DUOTRONIC®

La humedad y los niveles de temperatura se controlan continuamente, a fin de lograr resultados de secado precisos para una paleta amplia de tejidos diferentes. Cualquier cosa desde camisetas, hasta las sábanas del bebé, salen tibias y suaves en todo momento.

El monitoreo constante garantiza el uso de energía más bajo posible y reduce hasta un 50% del consumo por año.

## WRINKLEBLOCK™

A veces no es posible quitar la ropa apenas suena el zumbido. Extended **WRINKLEBLOCK™** (Protección contra arrugado prolongada) provee una hora de giro intermitente del tambor y evita la formación de arrugas y, en definitiva, reduce el tiempo de planchado.

## Tambores de acero inoxidable

El tambor de lavado **Nexxt™** tiene centenas de orificios de bordes redoblados, que permiten a sus prendas rodar suavemente sin presentar enganches.

## Bisagra de la puerta de 180°

Por fin una puerta de secadora que se abre completamente a 180° y facilita cargar y descargar la ropa. Las puertas de la lavadora y la secadora se abren en sentidos opuestos para que, al instalarlas una al lado de la otra, no tenga dificultad en traspasar su ropa húmeda a la secadora.

## Funcionamiento silenciosos

Los electrodomésticos de lavado de ropa de Bosch utilizan motores libres de escobillas, sistemas de bombas suspendidas y materiales de aislamiento acústico, a fin de lograr una marcha silenciosa. Esto quiere decir, que puede instalárselos prácticamente en cualquier sitio del hogar, sin que produzcan perturbaciones.

## Estante de secado

El estante de secado **Nexxt™** protege los tejidos delicados o bien un par de zapatillas, secándolos sin girar. Es estándar en el modelo Premium **Nexxt™** o puede solicitárselo como accesorio.

## Dispositivo atrapapelusa

Nuestro dispositivo para pelusas está ubicado cómodamente en la carcasa del electrodoméstico debajo de la puerta del secador para permitir el fácil acceso. El filtro de malla fina del dispositivo atrapapelusa captura incluso las partículas de pelusa más pequeñas. Y para aumentar la eficiencia de secado, el filtro del dispositivo atrapapelusa tiene una luz que se enciende si el filtro necesita limpieza inmediata.

## MISTCARE™

Los programas **MISTCARE™** utilizan humedad adicional para ayudar a distender el tejido, aflojar las arrugas y refrescar las prendas de algodón mezcladas del lavado para reducir los olores.

## Manguera AQUASTOP®

La manguera **AQUASTOP®** detiene el flujo de agua en caso de que la manguera tenga una pérdida por inundación.

**ADVERTENCIA:** Por su seguridad, las informaciones contenidas en este manual deben tenerse en cuenta a fin de minimizar el riesgo de incendios, explosión o de prevenir daños a la propiedad, personales o la muerte.

- No almacene ni utilice gasolina u otros gases o líquidos inflamables en la cercanía de éste u otros electrodomésticos.
- **SI SIENTE OLOR A GAS**
  - No intente encender ningún electrodoméstico.
  - No toque conmutador eléctrico alguno. No utilice ningún teléfono dentro de sus edificio.
  - Evacue todas las personas del ambiente, edificio o zona.
  - Llame inmediatamente a su proveedor de gas desde el teléfono de una casa vecina. Siga las instrucciones de su proveedor de gas.
  - Si no puede comunicarse con su proveedor de gas, llame a los bomberos.
- La instalación y el servicio deben efectuarlos un instalador calificado, una agencia de servicio o el proveedor de gas.

# Índice

Definiciones .....	61
<b>INSTRUCCIONES IMPORTANTES DE SEGURIDAD .....</b>	<b>61</b>
INSTRUCCIONES PARA LA PUESTA A TIERRA .....	63
<b>INSTRUCCIONES PARA LA INSTALACIÓN .....</b>	<b>64</b>
Introducción .....	64
Información sobre eliminación de residuos .....	64
Antes de instalar el secador .....	64
La instalación paso a paso .....	65
Conexión eléctrica .....	68
Conexión de gaz .....	68
Conexión del tubo de aire de salida .....	69
Accesorios .....	71
Preparar el secador para el transporte, paso a paso .....	72
<b>INSTRUCCIONES DE FUNCIONAMIENTO .....</b>	<b>73</b>
Panel de manejo .....	73
<b>Informaciones para su seguridad .....</b>	<b>74</b>
<b>Protección del medio ambiente .....</b>	<b>74</b>
<b>Ropa .....</b>	<b>74</b>
Identificación de prendas .....	74
Consejos para el secado .....	74
<b>Selección del programa .....</b>	<b>75</b>
Opciones .....	75
Indicador de estado del programa .....	75
MISTCARE programa .....	75
Programas automáticos .....	76
Programas temporizados .....	76
<b>Tabla de selección de programas .....</b>	<b>76</b>
<b>Funcionamiento .....</b>	<b>78</b>
Uso del secador .....	78
Limpiar el filtro para pelusas .....	79
Uso de la canastilla (opciones) .....	79
<b>Limpieza y cuidado .....</b>	<b>81</b>
Limpieza del secador .....	81
Limpiar el tubo de aire de salida .....	81
Limpiar el sensor de humedad .....	81
Limpieza de la protección del rodamiento .....	81
Cambiar la lamparilla .....	82
<b>Localización de fallos .....</b>	<b>83</b>
SERVICIO y REPARACIONES .....	86
<b>DECLARACIÓN DE GARANTÍA LIMITADA DEL PRODUCTO .....</b>	<b>87</b>

Lo felicitamos por haber seleccionado un secador de ropa Bosch, que eligen todos aquellos que requieren un rendimiento excepcional en sus secador de ropa.

El secador cumple con la norma ANSI Z21.5.1/CGA 7.1-2002 Secadores de ropa Vol. 1

Uno de las características fundamentales de su secador es el bajo consumo de energía.

Una filosofía fácil en el manejo, una gran variedad de programas de lavado y una sensación de solidez, hacen de este secador un asistente sumamente útil en su hogar.

El secador Bosch presenta las siguientes características estándar:

- un sistema de secado de alto rendimiento
- un tambor de acero inoxidable grande con una capacidad hasta 17.6 lbs (8 kg)
- Gran abertura de carga (18 pulg./457 mm), con un sistema de traba para la puerta con función de detención automática de tambor
- funcionamiento excepcionalmente sereno
- ciclos automáticos controlados por sensor
- Ciclos temporizados  
500 Series secadora: 30 y 60 minutos  
800 Series secadora: 10 av 150 minutos (en encrementos of 10 minutos)
- Corti program para ½ cargas (25 minutos) (800 Series solamente)

Todo secador que deja nuestra planta, ha aprobado un control de rendimiento realístico y está en perfectas condiciones de funcionamiento.

Si tiene cualquier pregunta respecto de la instalación de nuestros secadores, nuestro grupo de servicio a clientes, gustosamente le responderá.

En nuestra página de web, encontrará más información referida a nuestros productos y su selección:  
[www.boschappliances.com](http://www.boschappliances.com)

### Información

Rogamos leer y seguir estas instrucciones de funcionamiento e instalación conjuntamente con todas aquellas informaciones entregadas con nuestra máquina de lavar.

## Definiciones



### ADVERTENCIA

**ADVERTENCIA** – Esto significa que puede resultar la muerte o lesiones graves debido a la inobservancia de esta advertencia.



### CUIDADO

**CUIDADO** – Esto significa que pueden resultar lesiones leves o moderadas debido a la inobservancia de esta advertencia.

### AVISO

**AVISO** – Esto significa que se pueden producir daños en el electrodoméstico o en los bienes debido a la inobservancia de esta advertencia.



Este símbolo se utiliza para llamar la atención del usuario respecto de algo en particular.

## ⚠️ INSTRUCCIONES IMPORTANTES DE SEGURIDAD



### ADVERTENCIA

**ADVERTENCIA:** Para reducir el riesgo de incendio, descargas eléctricas, lesiones de gravedad o muerte y/o daños al emplear su secador, tome las siguientes precauciones básicas.

1. Lea todas las instrucciones antes de utilizar el secador.  
Los secadores Bosch se entregan con instrucciones de manejo, cuidado e instalación.
2. No seque prendas que anteriormente hayan sido limpiadas, lavadas, remojadas, o se le hayan quitado las manchas con gasolina, limpiadores en seco, solventes, otros productos

inflamables o explosivos de las cuales puedan desprenderse vapores que puedan **encenderse** o explotar.

Para reducir el riesgo de **incendio**, no ponga ropa, paños para la limpieza, estropajos o cosas similares en el secador, si contienen sustancias inflamables como aceites vegetales, aceite de cocina, aceites a base de petróleo o destilados de éstos, ceras, grasas, etc. Estas prendas pueden contener sustancias inflamables que pueden producir humo o **causar un incendio** espontáneamente aun después de haberlas lavado.

No ubique prendas sucias con aceite de cocina en su secador.

Prendas con este tipo de suciedad pueden contribuir a reacciones químicas que pueden causar un **incendio**.

3. El secador debe usarse únicamente para lo que fue diseñado.
4. No permita que los niños jueguen en o con el electrodoméstico en ningún momento; esto puede provocar **lesiones** graves o la **muerte**. Los niños deben permanecer a una distancia segura de los electrodomésticos en todo momento. Se debe permitir a los niños estar cerca de un electrodoméstico solamente si están supervisados estrictamente y en forma constante por un adulto.

5. Cuando los niños llegan a una edad adecuada para operar equipos electrodomésticos, es responsabilidad legal de los padres o reponsables legales, hacerlos instruir por personal adecuadamente calificado respecto de las medidas de seguridad correspondientes
6. ANTES DE SACAR EL ELECTRODOMESTICO DE SERVICIO, quite la puerta de acceso al compartimiento de secado.
7. No introduzca las manos en el electrodoméstico mientras el tambor está girando.
8. No instale ni deje este electrodoméstico a la intemperie o expuesto a elementos como agua/humedad, suciedad, aire corrosivo/salado y frío excesivo.
9. No juegue con los controles.
10. No reparar o reemplazar ninguna parte del secador ni intentar cualquier tipo de servicio a menos que haya sido recomendado en las instrucciones de mantenimiento o en instrucciones de reparación para usuarios, que se hayan comprendido plenamente y para las que se disponga de habilidad.
11. No utilice suavizadores para prendas u otros productos para eliminar las cargas estáticas, salvo que estén recomendados por el fabricante de las prendas.
12. No seque con calor, artículos que contengan espuma de goma (puede denominarse espuma de latex) u otros materiales que se parezcan a los mencionados. Las espumas de goma pueden **encenderse** por autoignición cuando se los calienta bajo ciertas circunstancias.
13. No seque prendas que contengan olefina spunbonded. La olefina spunbonded puede derretirse y **encenderse** por combustión espontánea.
14. Limpie el filtro para pelusas antes o después de cada carga. El exceso de pelusa acumulada puede dañar el secador y crear un posible riesgo de **incendio**.
15. Mantenga el área alrededor de la salida de aire y las zonas adyacentes libres de pelusas, suciedad y polvo. La obstrucción de la abertura puede reducir el flujo de aire y producir un sobrecalentamiento.
16. El interior de la máquina y de la salida de aire debe limpiarse periódicamente por personal calificado.
17. Desmontando cualquier panel o tapa, incluida la tapa de la luz, pueden quedar expuestos circuitos eléctricos con corriente. Desmontando cualquier panel, incluido el panel de manejo redondo ubicado en el frente, también pueden quedar expuestos cantos y puntas filosas, y superficies calientes. Siempre desenchufe el secador de la fuente de suministro eléctrico antes de intentar repararlo. Desconecte el cable de alimentación tomándolo del enchufe, no del cable.
18. Almacene todos los productos químicos y aditivos en un lugar fresco y seco de acuerdo con las instrucciones del fabricante. Asegúrese de que los niños no tengan acceso a ellos. No debe colocar gasolina, materiales combustibles y vapores inflamables, líquidos ni sustancias que representan un riesgo de incendio cerca del secador.
19. No se siente sobre el secador.
20. Para evitar un riesgo de incendio, no utilice un cable de prolongación, un adaptador ni ningún otro conector o cable eléctrico no suministrado por el fabricante para conectar el secador a la alimentación de energía eléctrica. Los secadores son máquinas potentes y deben tener tomas de corriente eléctrica exclusivas.
21. Siempre verifique que los bolsillos de la ropa estén vacíos y quite todos los artículos de la ropa antes de ponerla en el secador; los objetos inadecuados pueden dañar el secador, y ciertos artículos como los encendedores pueden presentar un **riesgo de incendio**.
22. Para reducir el riesgo de incendio y descargas eléctricas, no use el secador si el cable de alimentación está deshilachado o dañado, o si los enchufes están sueltos.
23. No utilice el secador si se quitaron las protecciones y/o los paneles, si faltan piezas o si están rotas.
24. No elimine la función de los dispositivos de seguridad.
25. No utilice conductos de material plástico o materiales flexibles no metálicos con este secador. Los conductos flexibles de material plástico o materiales no metálicos pueden representar un posible **riesgo de incendio**.
26. No haga funcionar el secador antes de asegurarse que fue instalado de acuerdo con las INSTRUCCIONES DE FUNCIONAMIENTO y que la instalación y puesta a tierra cumplen con todos los reglamentos locales y/u otras reglas y requerimientos de aplicación.
27. Fallos en la instalación, el mantenimiento y/o operación del secador respecto de la instrucciones del fabricante, pueden ser causa de **lesiones** o daños.
28. Para evitar daños en el piso y también en el crecimiento de moho, no permita que salpicaduras o derramamientos de agua se acumulen alrededor o debajo del secador.
29. No deben instalarse otros equipos de uso doméstico que funcionen quemando combustibles en el mismo ambiente.
30. Asegúrese de que todas las conexiones de agua del secador tengan una válvula de paso y de que se encuentren en un lugar fácilmente accesible. Cierre la(s) válvula(s) de paso del electrodoméstico al final de cada día de uso.
31. Verifique las conexiones de la manguera de llenado con frecuencia para asegurarse de que estén apretadas y de que no haya pérdidas.

**Notas:**

- A. Las INSTRUCCIONES IMPORTANTES DE SEGURIDAD y los LLAMADOS DE ATENCIÓN que se presentan en este manual no cubren todas las situaciones posibles que pueden tener lugar. Deben aplicarse el sentido común, precaución y cuidado al instalar, mantener o hacer funcionar el secador.
- B. Consultar siempre con el comerciante, distribuidor, agente de servicio o fabricante cualquier problema o bien condiciones que no se han comprendido completamente.
- C. Tenga en cuenta también las informaciones de seguridad que se incluyen en las INSTRUCCIONES DE INSTALACIÓN y las INSTRUCCIONES DE FUNCIONAMIENTO.

**INSTRUCCIONES PARA LA PUESTA A TIERRA**

Este electrodoméstico debe conectarse a tierra. En caso de fallos en el funcionamiento o roturas, la conexión a tierra reduce el riesgo de descargas eléctricas, presentando una vía de baja resistencia por la que puede fluir la corriente.

Este electrodoméstico está provisto de un cable de conexión con un conductor de tierra y el tomacorriente con la toma de tierra correspondiente. El tomacorriente debe conectarse en un enchufe adecuado que esté de acuerdo con todos los reglamentos y ordenanzas locales.

**ADVERTENCIA**

La conexión inadecuada de la puesta a tierra de este equipo puede conducir a un riesgo elevado de descargas eléctricas.

Haga controlar la instalación por un electricista calificado si tiene dudas, a fin de determinar que el secador esté correctamente conectada a tierra.

NO modifique el enchufe suministrado con el secador.

Si no es adecuado al tomacorriente, haga instalar un tomacorriente adecuado por un electricista calificado o cambie el cable por uno que sea adecuado al secador.

**CONSERVE ESTAS INSTRUCCIONES PARA CONSULTAS POSTERIORES.**

En caso de un cambio de propietario, este manual debe entregarse conjuntamente con el secador.

**CONSERVE ESTAS INSTRUCCIONES**

# INSTRUCCIONES PARA LA INSTALACIÓN

## Introducción

Lea estas instrucciones completamente y con cuidado. Esto va a evitar que pierda tiempo y esfuerzo, permitiendo lograr un funcionamiento óptimo del secador. Asegúrese de tener en cuenta todas las advertencias y precauciones.



## ADVERTENCIA

ADVERTENCIA – Riesgo de incendio.

- La instalación del secador de ropa debe ser realizada por un instalador calificado.
- Instale el secador de ropa según las instrucciones del fabricante y los códigos locales.
- No instale un secador de ropa con materiales de ventilación de plástico flexibles. Si se instala un conducto de metal flexible (tipo hoja metálica), debe ser de un tipo específico identificado por el fabricante del electrodoméstico como apto para un secador de ropa. Se sabe que los materiales de ventilación flexibles se hunden, se aplastan fácilmente y atrapan pelusa. Estas condiciones obstruyen el flujo de aire del secador de ropa y aumentan el riesgo de incendio.
- Para reducir el riesgo de lesiones graves o de muerte, siga todas las instrucciones de instalación.
- CONSERVE ESTAS INSTRUCCIONES.

Estas instrucciones para la instalación están destinadas para ser usadas por personal calificado. Adicionalmente a estas instrucciones, el secador debe instalarse de acuerdo con todas las reglas locales o bien, en su ausencia, con:

- en los **Estados Unidos**, el National Electric Code, ANSI/NFPA70 en su última edición y las reglas municipales y/o locales vigentes.
- En **Canadá**, el Canadian Electrical Code C22.1 en su última edición y las reglas municipales y/o locales vigentes.

La instalación de gas debe cumplir con los códigos locales o bien, en ausencia de éstos, con el National Fuel Gas Code, ANSI Z223.1/NFPA 54 o el Canadian Natural Gas and Propane Installation Code CAN/CSA-B149.

### Nota:

Este secador posee la aprobación UL y C-UL para un funcionamiento seguro hasta alturas de 7700 ft (2350 m) sin más modificaciones en los componentes de gas natural.

## Información sobre eliminación de residuos

### Eliminación del embalaje



## ADVERTENCIA

Mantenga alejados a los niños tanto del cartón como de los demás componentes del embalaje. Existe peligro de asfixia con la lámina plástica y con los cartones plegados.

Ninguno de los materiales del embalaje es dañino para el medio ambiente y pueden reciclarse. Rogamos eliminarlos según las normas de protección del mismo.

Rogamos ponerse en contacto con su vendedor o la autoridad competente respecto de las disposiciones vigentes.

### Desecho de electrodomésticos viejos



## ADVERTENCIA

En los artefactos que se van a poner fuera de servicio, desconecte el enchufe principal, corte el cable de red y elimine el cable junto con el enchufe.

Para evitar que los niños al jugar se pongan en peligro al quedar atrapados, asegurarse de que el mecanismo de cierre de la puerta esté desactivado o desmonte la puerta.

¡Los electrodomésticos viejos no son basura! Pueden utilizarse materias primas valiosas en un reciclado adecuado al medio ambiente.

Rogamos ponerse en contacto con su vendedor o la autoridad competente respecto de las disposiciones vigentes.

## Antes de instalar el secador

Antes de instalar el secador a un sistema de conductos utilizado previamente, asegúrese de que el sistema esté limpio. Se recomienda realizar una limpieza profesional del sistema de conductos en forma anual y al conectar el secador a un sistema de conductos utilizado previamente. Mantener limpio el sistema de conductos reducirá el tiempo de secado y mejorará el rendimiento del secado.

### Desembalaje del electrodoméstico



## CUIDADO

No levante el electrodoméstico personalmente. Tampoco debe levantárselo de partes protuberantes debido al riesgo de quebraduras.

## AVISO

Quite el embalaje cuidadosamente, para evitar daños en las superficies.

Controle si el secador se ha dañado durante el transporte. No conecte un secador visiblemente dañado. En caso de duda, consulte con su vendedor.

### Volumen de entrega



## CUIDADO

El secador se provee sin el cable de alimentación. El cable de alimentación debe conectarlo un técnico calificado o un electricista con licencia.

## AVISO

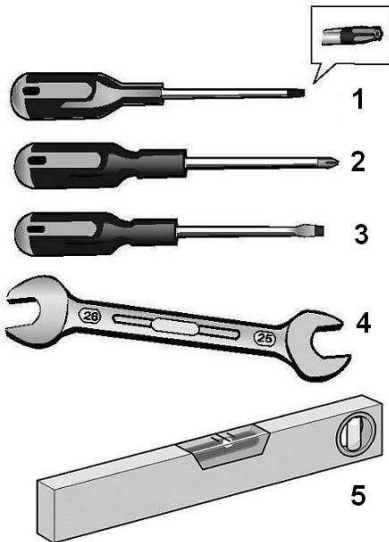
Una vez eliminado el embalaje, quite inmediatamente todos los objetos contenidos en el tambor.



## Herramientas útiles

Las siguientes herramientas son útiles para la instalación:

1. Destornillador de cabeza T20
2. Destornillador Phillips (Núm. 2)
3. Destornillador de hoja plana
4. Llave fija (1 pulg./25 mm)
5. Nivel de burbuja



## Lista de comprobación para la instalación

1. Quite el secador de su embalaje.
2. Quite todos los objetos del tambor.
3. Controle si el secador presenta daños visibles.
4. Ubique el secador cerca del sitio de emplazamiento (consulte la página 65).
5. Si hace falta, cambie las bisagras de la puerta a la izquierda (ver página 71).
6. Si hace falta, instale la salida de aire del escape lateral o inferior en el secador (ver página 70).
7. Haga conectar la alimentación de gas por un técnico calificado (ver página 68).
8. Revise la conexión "Y", la manguera corta y la manguera AQUASTOP® incluidas con embalaje del secador (ver página 67).
9. Conecte el suministro de agua a la parte posterior del secador (ver página 66 para conocer las instrucciones detalladas).

10. Instale los conductos del escape si es necesario.

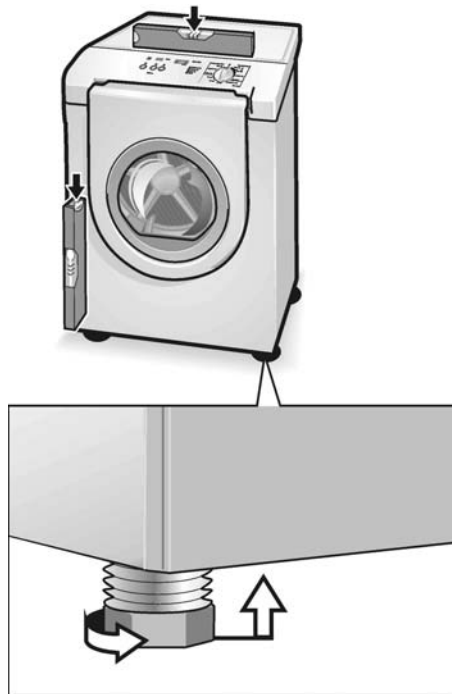
Siga las instrucciones de instalación provistas por el fabricante de piezas de conductos apropiado (ver página 69)

- i** Si las condiciones de espacio son muy reducidas, se recomienda montar las primeras partes de la tubería antes de ubicar el secador en su sitio de emplazamiento definitivo.
11. Ubique el secador en su sitio de emplazamiento definitivo.

### AVISO

No arrastre el secador por el suelo, si los pies ajustables fueron extendidos. En este caso se dañarían tanto los pies ajustables, como la parte inferior del secador.

12. Posicione y nivele luego el secador.



El secador debe nivelarse con todos los pies ajustables firmemente asentados en el piso. No debe tambalearse. Si el secador no está nivelado o si se tambalea, deben regularse los pies ajustables. Los pies deben ajustarse hasta que el secador no se bambolea y está nivelado tanto de un lado respecto del otro, como de atrás respecto de adelante.

- i** Después de realizar los ajustes preliminares, presione cada esquina de la secadora hacia abajo para asegurarse de que la unidad no se tambalee. Si se tambalea, baje el pie de esa esquina hasta que se apoye firmemente en el piso.

13. Abra la válvula de paso.
14. Conecte el tubo de ventilación a la salida de aire del secador (consulte la página 69).
15. Conecte el tomacorriente en el enchufe correspondiente (consulte la página 68).
16. Lea las instrucciones de funcionamiento, para enterarse como funciona su secador (consulte la página 73).
17. Efectúe un control del electrodoméstico:
  - Controle que el tambor esté vacío.
  - Cierre la puerta del secador.
  - Conmute el secador a «Extra dry» (Extra seco) y enciéndalo.
  - Párelo después de aproximadamente 3 a 5 minutos y abra la puerta.
  - Si el interior del secador está tibio, significa que está correctamente conectado. Apague el secador.
  - Si el secador no funciona, conmutelo a «Off». Consulte en la localización de fallos (ver página 83) y determine el fallo.

## Emplazamiento

### **⚠ ADVERTENCIA**

No instale el secador:

- en el exterior,
- en ambientes donde gotea el agua,
- ceca de materiales inflamables,
- en ambientes con riesgo de congelamiento,
- en ambientes donde puede haber gas u otros combustibles,
- en armarios con puertas que se puedan trabar o en nichos.
- con otro equipo a quemador de combustible en el mismo retrete.

El ambiente de emplazamiento debe poseer una buena ventilación, de otro modo el secador trabajará con rendimiento reducido.

No opere el secador a temperaturas superiores a los 104 °F (40 °C) o debajo de 41 °F (5 °C). Las temperaturas bajas pueden afectar la secuencia el programa automático y pueden prolongar los tiempos del secado.

La superficie donde se vaya a instalar el secador deben estar limpias, parejas y firmes. ¡No instale el secador sobre alfombras! Compense las irregularidades en el piso mediante los pies ajustables en altura.

Instale el secador y nivélelo un lado respecto del otro y la parte anterior respecto de la parte posterior.

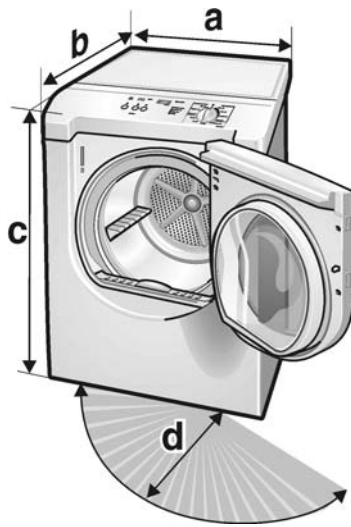
Utilice un nivel de alcohol.

¡Nunca desenrosque totalmente los pies ajustables!

El tamaño del área de instalación depende de las medidas del secador. ¡Asegúrese que exista espacio suficiente para el área de giro de la puerta!

### **⚠ ADVERTENCIA**

Si se desea hacer funcionar el secador en un garaje, debe instalárselo sobre una base sólida con una elevación de por lo menos 18 pulgadas sobre el nivel del suelo, a fin de reducir la probabilidad de que vapores inflamables se incendien y además, para asegurarlo contra daños producidos por el eventual movimiento de vehículos



	Medidas	Peso
a	27.0" (686 mm)	125 lbs (56 kg)
b	31.8" (808 mm)	
c	37.2" (954 mm)	con embalaje
d	19.7" (500 mm)/ángulo	143 lbs (64 kg)

Si instala el secador en un retrete, observe el cumplimiento de las distancias mínimas de acuerdo con la siguiente tabla:

	Retrete
A los lados	0" (0 mm)
Arriba	12" (305 mm)
Detrás*	0" (0 mm)

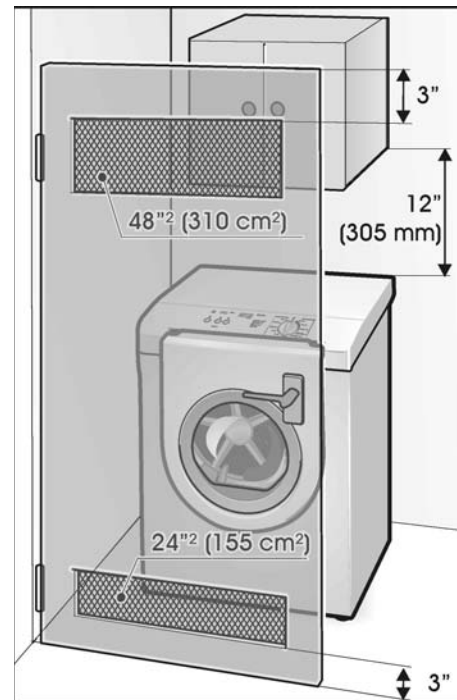
\* tan cerca de la pared como lo permita la tubería de gasy la ventilación o la conexión de agua

Información importante respecto de las distancias mínimas:

- Según la ubicación de la conexión de aire del escape, se debe sumar una distancia adicional mínima de 5½ pulgadas (14 cm) sobre este lado para conductos/soportes (ver página 71).
- Los beneficios de mantener una distancia superior (espacios libres) a la mínima que se muestra incluyen:
  - reducción del riesgo de que se produzca moho detrás del electrodoméstico.
  - reducción de la transmisión de ruidos
  - facilitación de la instalación y del servicio técnico.
  - hay más circulación de aire que enfría el secador, evita que el

secador se caliente en exceso y mejora su rendimiento .

- Si se instala el secador en ambientes reducidos, las puertas del ambiente deberán estar equipadas con ventilaciones de dimensiones mínimas establecidas. Consulte la siguiente figura para obtener información adicional.



La puerta del secador se provee con bisagras sobre el lado derecho.

Si necesita cambiar las bisagras a la izquierda, vea la página 71.

## Conexión de agua

Conecte la manguera de suministro de agua del secador a un grifo de agua fría (el grifo debe estar ubicado dentro de los 4 pies (1.2 m) de la válvula de entrada de agua en la parte posterior del secador).

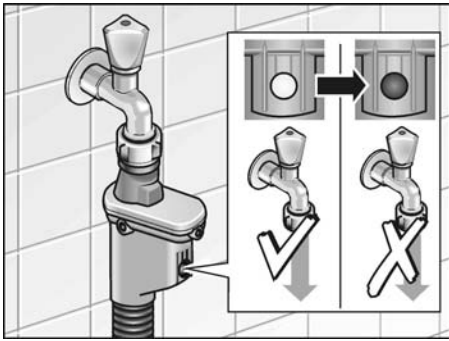
Se recomienda tener una presión de suministro de agua de 20 – 100 psi (1.37 – 6.89 bar) para un mejor rendimiento.

Se proporciona un conector "Y" junto con una manguera corta (si es necesaria) para conectarla al grifo de agua fría.

# Manguera AQUASTOP®

## NOTICE

El correcto aseguramiento de las conexiones EXTERNAS de las mangueras es de única y exclusiva responsabilidad del cliente. El fabricante no asume ninguna responsabilidad ni obligación por una conexión EXTERNA de manguera u otro tipo de conexión que no esté correctamente instalada.



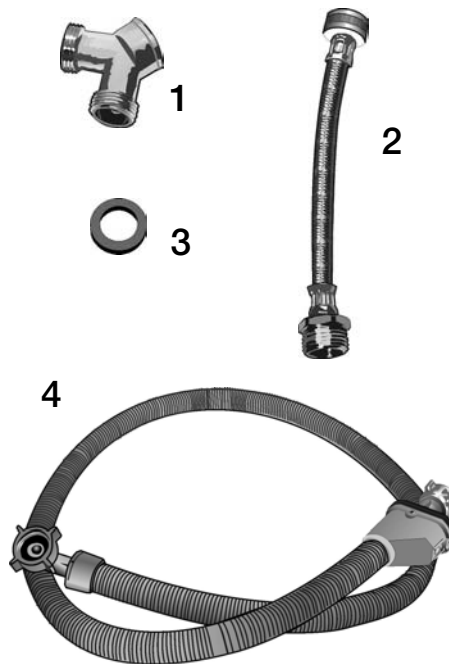
La manguera **AQUASTOP®** evita la posibilidad de inundaciones si la manguera tiene una pérdida.

Si la manguera tiene una pérdida, se visualiza una marca roja y se bloquea la entrada de agua.

- ❑ Una manguera **AQUASTOP®** que se ha activado no se puede reprogramar. Consulte a servicio al cliente para obtener un repuesto de la manguera (ver página 86).

## Piezas del secador MISTCARE™ suministradas

Las siguientes piezas están incluidas con el envío de su secador.

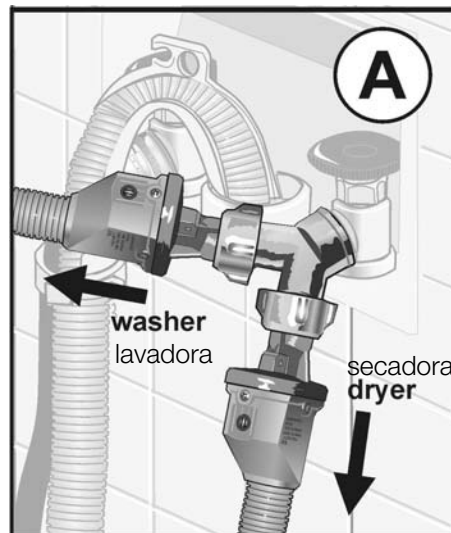


1. Conector "Y"
2. Manguera de entrada de metal trenzado corta
3. Arandela de hule
4. Manguera **AQUASTOP®**

## Para conectar la manguera de entrada

- i** El secador debe conectarse al conector "Y" usando la manguera **AQUASTOP®**. No use una manguera vieja.

1. Cierre el grifo de entrada de agua y retire la manguera de suministro de agua de la lavadora.

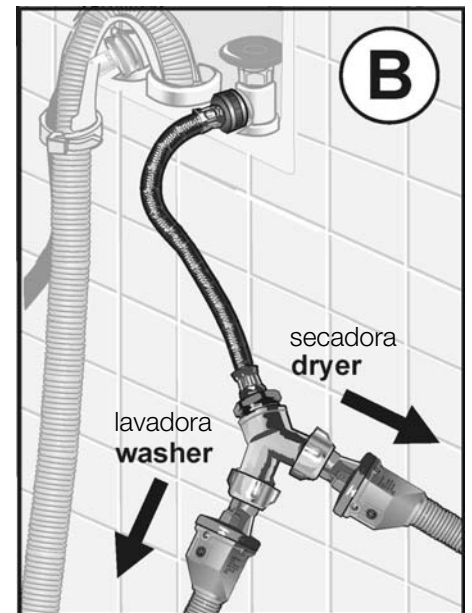


2. Verifique que la arandela de hule esté completamente insertada y asentada en el extremo hembra de la manguera corta antes de continuar. La arandela de hule aparece como ítem 3 en la ilustración de las piezas suministradas. Se ilustra separada de la manguera para mayor claridad.

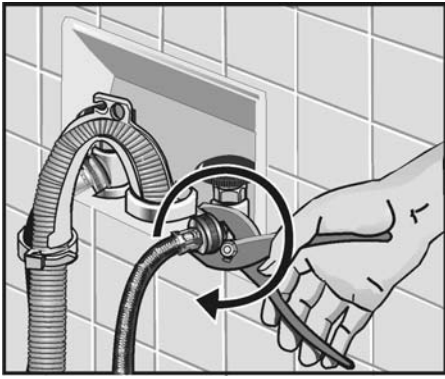
3. Si el espacio lo permite, conecte el extremo roscado internamente (hembra) del conector "Y" directamente al grifo de agua fría (opción **A** como se muestra en la ilustración anterior) y siga con el paso 6

## Para instalación opcional con el conector Y

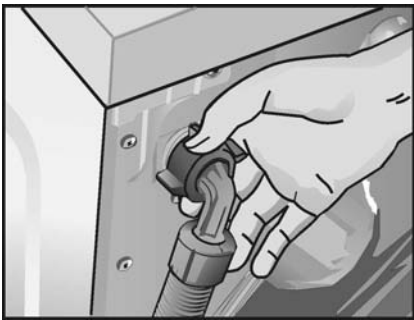
Si el conector "Y" no se puede sujetar directamente, use la manguera corta suministrada para conectar el conector "Y" al grifo de agua fría (opción **B** como se muestra en la ilustración), y continúe con los pasos 4 a 5.



4. Conecte la manguera corta al grifo de agua fría. Apriete la conexión a mano hasta que el acople esté asentado en el grifo.
5. Use pinzas para apretar la conexión con un giro adicional de dos tercios de vuelta.



- i** No apriete en exceso. Se puede dañar el acople.
6. Conecte el adaptador "Y" a la manguera corta. Apriete el acople a mano hasta que quede firmemente asentado en la manguera.
  7. Conecte la manguera de suministro de agua fría de la lavadora al conector "Y". Apriete a mano.
  8. Conecte la manguera **AQUASTOP®** del secador al otro acople del conector "Y". Apriete a mano.
  9. Apriete los tres acoples sobre el conector "Y" con un giro adicional de dos tercios de vuelta, usando pinzas.
- i** No apriete en exceso. Se puede dañar el acople.



10. Conecte el conector en ángulo recto de la manguera **AQUASTOP®** a la válvula de entrada ubicada en la parte superior izquierda del secador.
- i** Verifique que la arandela de hule no se caiga y que esté bien asentada en el conector en ángulo recto.
11. **Apriete a mano** el acople hasta que quede asentado en el conector. No use pinzas, apriete a mano únicamente.

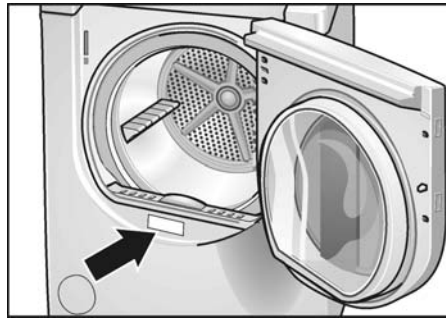
- i** No apriete en exceso. Se puede dañar el acople.
12. Abra el grifo de agua.
  13. Verifique que no haya pérdidas alrededor del conector "Y", del grifo y de ninguna manguera.

## Conexión eléctrica

### ⚠ ADVERTENCIA

El secador debe conectarse a un ramal individual del circuito eléctrico mediante un enchufe que ha sido debidamente conectado al suministro de energía eléctrica y a tierra.

El voltaje del domicilio debe corresponder a aquél de las especificaciones del secador (chapa de características). La chapa de características la encontrará en la parte interior del panel frontal.



Las especificaciones de la conexión al igual que los fusibles necesarios se especifican en la placa de identificación del electrodoméstico.

Asegúrese que:

- el enchufe de alimentación corresponda al enchufe.
- el cable de alimentación es adecuado al secador.
- el sistema de puesta a tierra esté correctamente instalado.

El cable de alimentación debe reemplazarlo exclusivamente un técnico calificado o un electricista con licencia.

El servicio a clientes dispone de cables de alimentación de reemplazo (ver página 86).

Volts	Hertz	Amperes	Wattios
110-120	60	9	1080

## Conexión de gas

### ⚠ ADVERTENCIA

¡Para Evitar Peligro de explosiones! Utilice una línea de gas nueva aprobada por AGA o CSA para la alimentación. Instale una válvula de paso. Sujete firmemente todas las conexiones de gas. Haga controlar por personal calificado que la presión de gas no exceda 14 in. W.C./ 3.49 kPa/ 0.506 psig. (Gas natural y propano). Un ejemplo de personal calificado incluye:

- personal autorizado de calefacción,
- personal de proveedor de gas autorizado,
- personal de servicio autorizado.

Fallas en estos casos pueden causar explosiones o fuego. ¡Peligro de muerte o lesiones! Debe controlarse que no hay pérdidas en todas las líneas, antes de poner en funcionamiento el electrodoméstico. Aplique agua jabonosa en las uniones y controle si se forman burbujas nuevas. ¡Estas señalan las pérdidas!

Cuando instale la alimentación de gas al tubo de ingreso de gas del secador, no exceda 26 lb-ft (35 Nm).

### ⚠ ADVERTENCIA

Nunca use una llama abierta para determinar pérdidas de gas.

### Tip de gas

Este secador de gas cuando equipado para el uso con GAS NATURAL, empleará un tamaño de orificio 46 y tiene una presión de salida de gas de 3.5" en. W.C.

Su secador debe tener la válvula adecuada para el tipo de gas que tiene en su hogar. La información referente a la válvula se encuentra en la chapa de características detrás de la puerta debajo del orificio de la misma.

Si las indicaciones antedichas no concuerdan con el tipo de gas a disposición, consulte con su vendedor o bien nuestro equipo de servicio a clientes (ver página 86).

### Línea de alimentación de gas

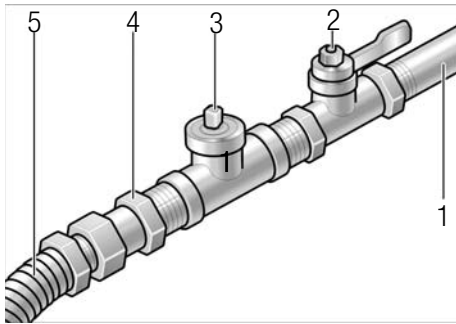
Se recomienda un tubo de 1/2" de diámetro interior.

Se acepta un tubo de  $\frac{3}{8}$ " en longitudes inferiores a lo 20 ft (6,1 m) si lo permiten las reglamentaciones locales y el proveedor de gas.

La línea debe poseer una abertura de inspección de  $\frac{1}{8}$ " con tapa, inmediatamente antes de la conexión de gas.

Debe instalarse:

- **En USA:**  
una válvula de paso manual dentro de los 6 ft (1,8 m) antes del secador según el National Fuel Code, ANSI Z223.1/NFPA 54.
- **En Canadá:**  
una válvula de paso manual de acuerdo con el B149, del Instalation Code, CAN/CSA B149.1 y CAN/CSA B149.2. Se recomienda instalar una válvula de paso manual dentro de los 6 ft (1.8 m) antes del secador.



- 1 – Línea de gas de  $\frac{1}{2}$ "
- 2 – Válvula de paso para gas
- 3 – Abertura de inspección con tapa de  $\frac{1}{8}$ "
- 4 – Conexión adaptadora de  $\frac{3}{8}$ "
- 5 – Conector de gas flexible de  $\frac{3}{8}$ " (hacia el secador)

La válvula de paso debe ser de fácil acceso para la apertura y el cierre.

**Nota:**

El secador debe funcionar correctamente siempre que se interrumpa la conexión de gas

**Tubo de gas para el secador**

El tubo de gas que sale de la parte posterior del secador es del tipo macho de  $\frac{3}{8}$ ".

**Conexión del secador**



**CUIDADO**

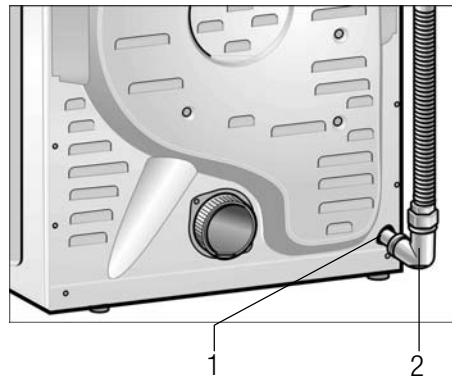
La conexión debe hacerla personal calificado. El secador debe estar desconectado del sistema de tuberías de alimentación de gas durante las pruebas de presión. Cuando se lo utilice por primera vez, debe asegurarse que no haya aire en la línea.



**ADVERTENCIA**

No utilice líneas y tubos de cobre cuando haga la conexión al gas natural.

La conexión puede modificarse si el tipo de la línea de alimentación, su tamaño y localización cambian. Si las reglamentaciones locales lo permiten, utilice un conector flexible de acero inoxidable (diseño certificado por la American Gas Association o CSA International) para la conexión del secador.



Para reducir la distancia entre el frente del equipo y la pared, utilice un codo de  $\frac{3}{8}$ " para acceder al tubo de gas del secador.

- 1 – tubo de gas ( $\frac{3}{8}$ " tubo macho)
- 2 – Codo de  $\frac{3}{8}$ "

**Conexión del tubo de aire de salida**



**ADVERTENCIA**

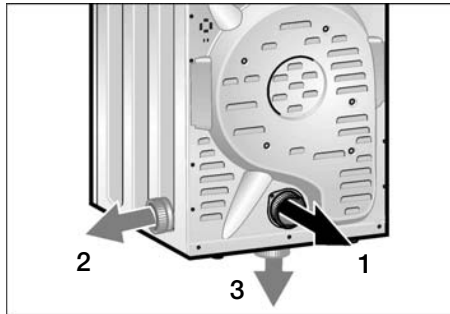
1. A fin de reducir el peligro de incendio, el aire de salida de este electrodoméstico DEBE CONDUCIRSE AL EXTERIOR.
2. Para reducir el riesgo de incendio, no utilice sistemas de conductos más largos que los recomendados. Consulte la tabla de Longitud máxima del sistema de conductos (ver página 70).
3. No use un conducto de plástico u hojas metálicas, ni ningún otro conducto no metálico con este secador. Sólo se deben usar conductos de metal rígido o flexible para la extracción. Los conductos de hojas metálicas y de metal flexible NO son lo mismo.
4. NO use más de 2.4 m de conductos de metal flexible.
5. NO use un conducto de menos de 4 pulgadas de diámetro.
6. NO descargue el aire del secador en: chimeneas, paredes, techos, lugares cerrados de un edificio, conductos de aire frío de un horno, áticos, huecos sanitarios ni otro sistema de conductos para ventilación.
7. No instale un tubo flexible empotrado en la pared, un cielorraso o piso.
8. NO retuerza ni doble el tubo.
9. Controle y limpie la tubería regularmente. Como mínimo una vez al año.
10. El tubo de salida de aire debe terminar de modo de evitar la circulación inversa, la entrada de pájaros u otros animales.
11. NO arme el sistema de conductos con tornillos ni sujetadores que queden introducidos en él.
12. NO arme el sistema de conductos con tornillos ni sujetadores que queden introducidos en él. Sirven como punto de acumulación de pelusa. Las uniones se deben sujetar con cinta de aluminio.

## Salida de aire del secador

El secador se provee con una salida de aire ubicada en la parte posterior del mismo.

Para tener en cuenta los requerimientos de espacio y un sistema de ventilación eventualmente existente, se posibilitan las siguientes opciones de conexión:

- en el lado derecho del electrodoméstico,
- en la parte inferior del electrodoméstico.



- 1 - Salida de aire en la parte posterior del electrodoméstico (estándar)
- 2 - Salida de aire en el costado del electrodoméstico (opción)
- 3 - Salida de aire en la parte inferior del electrodoméstico (opción)

Las conexiones especiales para el aire de salida, se las provee su vendedor al igual que parte requeridas para cada opción (ver la página 71).

- Juego para salida lateral
- Juego de salida inferior

El cambio de la salida de aire y una conexión opcional, debe efectuarla un técnico calificado.

## Tubería

### Puntos importantes a considerar:

El sistema de respiradero del secador separa el aire húmedo mientras la ropa se seca. Usted puede acortar tiempos de secado, salvar energía y ayudar a asegurar la seguridad del sistema cerciorándose que el sistema del conducto de escape de secador sea instalado apropiadamente y es mantenido.

- ❑ Mantenga los tramos de conducto (la totalidad del sistema de conductos del escape, desde la secadora hasta la parte externa de la campana del escape) lo más cortos posible (consulte la tabla "Longitud máxima del sistema de conductos" de la página 70.)
- ❑ Use la cantidad mínima de codos necesaria para instalar el sistema de conductos del escape. Evite

colocar dos codos de 90 grados uno al lado del otro.

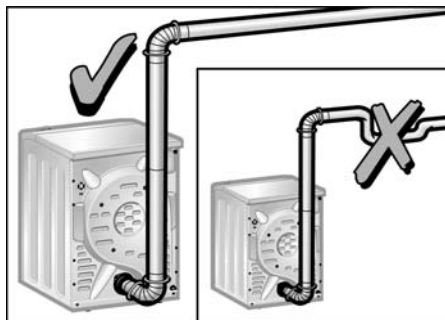
- ❑ Verifique y limpie el sistema de conductos del escape y la campana del escape, por lo menos, dos veces por año, y siempre que sospeche que el funcionamiento de la secadora ha empeorado.

Retire la pelusa acumulada para evitar la disminución del flujo de aire o las obstrucciones del sistema. Se recomienda realizar una limpieza profesional en forma anual y al conectar la secadora a un sistema de conductos de escape utilizado previamente.

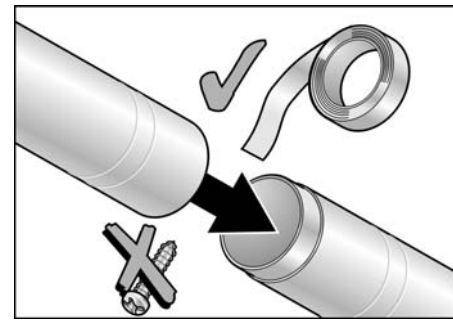
- ❑ Reemplace cualquier tramo de ventilación de plástico u hojas metálicas con conductos de metal rígido o metal flexible. Se recomienda el uso de conductos de metal rígido.

- i** La correcta instalación del sistema del escape es responsabilidad del consumidor.

**Los problemas que se produzcan debido a la instalación incorrecta no están cubiertos por la garantía del electrodoméstico.**



No está permitido el uso de un sistema de conductos del escape más largo que el especificado en la tabla de longitud máxima del sistema de conductos en la página 70. No ajustarse a esta tabla prolongará el tiempo de secado, se acumulará pelusa, y el rendimiento del secador, así como su vida útil, se verán afectados.



Todas las juntas de los tubos deben sellarse para que no presenten pérdidas. El extremo del tubo de menor diámetro, deberá señalar en el sentido de circulación del aire.

Independientemente de conectar la tubería a un sistema existente o nuevo, asegure que esté libre de pelusas.

En la siguiente tabla, se incluye la longitud máxima permitida tanto para conductos rígidos como para conductos rígidos usados con conductos de metal flexible. Si se usan conductos de metal flexible para conectar el electrodoméstico al sistema de conductos, la longitud total del conducto de metal flexible utilizado no excederá los 2.4 m y puede utilizarse únicamente para conectar el secador al sistema de conductos. Como se muestra en la siguiente tabla, la longitud máxima del sistema de conductos se reduce si se utilizan conductos flexibles.

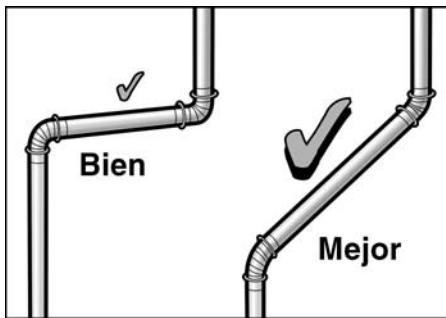
### Longitud máxima del sistema de conductos

Número de codos de 90°	Tubo rígido	Conductos flexibles en combinación con conductos rígidos
0	66 ft. (2011 cm)	45 ft. (1372 cm)
1	56 ft. (1707 cm)	36 ft. (1097 cm)
2	48 ft. (1463 cm)	29 ft. (884 cm)
3	39 ft. (1189 cm)	22 ft. (671 cm)
4	30 ft. (914 cm)	16 ft. (488 cm)

### Nota:

Las instalaciones del escape lateral e inferior tienen un giro de 90° dentro del secador. Tome esto en cuenta al usar la tabla anterior.

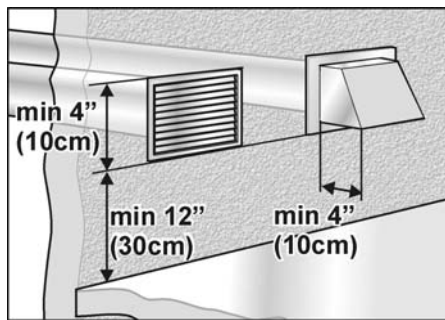
No se recomienda el uso de más de 2 codos de 90°. Para un resultado óptimo, separe los codos por lo menos con 4 pies de tubería recta, incluyendo en ello la distancia entre el último codo y el sombrerete.



### Sombrerete de ventilación

El tubo de ventilación debe terminar en un sombrerete de ventilación aprobado con laminillas de cierre amortiguado. NO utilice un sombrerete con seguros magnéticos.

Para evitar restricciones en la ventilación, la salida debe presentar un distancia mínima de 12 pulgadas (30 cm) sobre el suelo u otra superficie de obstrucción.



### Piezas necesarias para el sistema de conductos

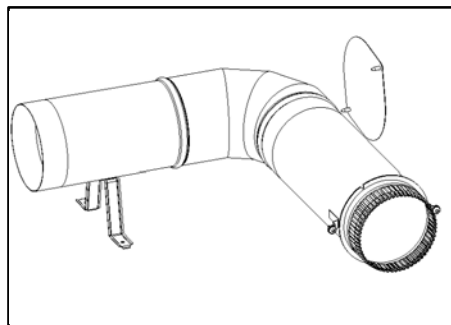
Las piezas necesarias para el sistema de aire del escape (codos, líneas, salidas de aire del escape) no se incluyen en la entrega estándar de la secadora (consulte la sección Accesorios para obtener información sobre cómo solicitar las piezas). Siga las instrucciones suministradas con las piezas.

Se recomienda la instalación profesional del sistema de conductos.

## Accesorios

Los siguientes accesorios opcionales para su secadora pueden solicitarse al servicio técnico (consulte la página 86) o a su distribuidor local. ¡Rogamos tener en cuenta las instrucciones de instalación que provee el fabricante!

### Juego para salida lateral



Nº de parte: **WTZ1265**

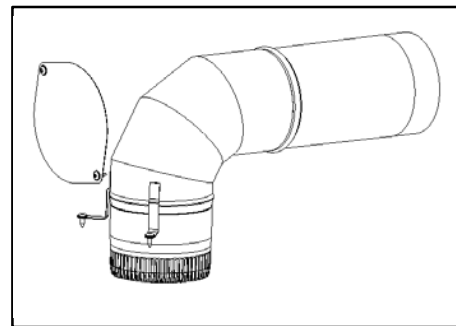
#### Nota:

Consulte las notas sobre la cantidad máxima de codos en la página 70.

**i** Se necesita una herramienta especial para calar el orificio del escape en el panel lateral de la secadora.

Para obtener más información, comuníquese con su distribuidor local.

### Juego de salida inferior

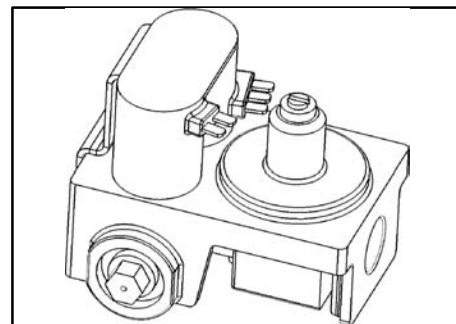


Nº de parte: **WTZ1270**

#### Nota:

Consulte las notas sobre la cantidad máxima de codos en la página 70.

### Juego LP Kit



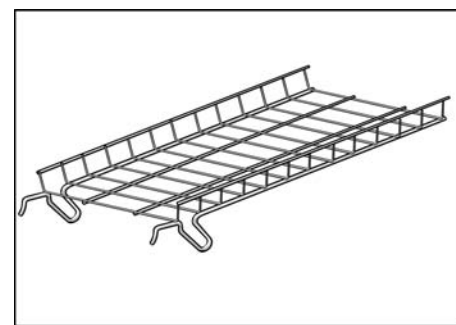
Nº de parte: **WTZ 1280**

Las partes necesarias para la conversión lp, pueden obtenerse del comerciante de la zona. ¡Rogamos se tengan en cuenta las instrucciones suministradas por el fabricante adecuado!

#### Nota:

El secador debe funcionar correctamente siempre que se interrumpa la conexión de gas

### Canastilla para secar



Nº de parte: **WTZ1290**

Utilice la canastilla para secar prendas de lana lavables (p. ej. suéteres) y calzados.

### Juego de salida por la izquierda

Nº de parte: **WTZ1260** (Secadores de Blancos y para secadores de dos colores)

Nº de parte: **WTZ1260S** (Secadores de Plata y tono duo)

De fábrica, la puerta presenta las bisagras a la derecha. El asa de la puerta puede cambiarse al lado opuesto si es necesario. Consulte con su vendedor o con nuestro equipo de servicio a clientes (ver página 86).

### Montje sobre pedestal

Número accesorio del pedestal de 8 pulgadas

Nº de parte: **WTZ 1295** (Secodores de Blancos)

Nº de parte: **WTZ 1295S** (Secodores de Plata)

Nº de parte: **WTZ 1295P** (Secodores de Plata/blanco del tono del duo)

Número accesorio del pedestal de 15 pulgadas

**WTZ 1500** para el color blanco sólida

**WTZ 1500S** para la plata sólida

**WTZ 1500P** del tono para el plata/blanco del tono duo

**WTZ 1500C** del tono para el champán/blanco del tono del duo

Si monta el secador Sobre un pedestal de Bosch siga las instrucciones suministradas con el pedestal.

### Juego domiciliario móvil

Nº de parte: **WTZ 1275**

#### Nota:

Rogamos hacer controlar por la autoridad competente de su zona si puede instalarse un secador a gas en su vivienda móvil. Una vez verificado, la instalación del secador debe realizarse de acuerdo con el Manufactured Home Construction An Safety standard, Título 24 CFR, parte 3280 (formerly the federal Standard for Mobile Home Construction and Safety, título 24, HUD (parte 289) y/o Standard CAN/CSA-Z240 MH).

El conjunto incluye un medio para asegurar el secador en la estructura.

Ver página 71 «Conexión del tubo de aire de salida» para la instalación del tubo correspondiente.

El tubo de aire de salida debe estar sujeto a una parte no inflamable de la vivienda móvil y no debe terminar debajo de la misma.

Debe existir un apertura hacia el exterior durante la instalación.

Asegúrese que el área de la apertura para el ingreso de aire del exterior sea de por lo menos dos veces el área de la salida de aire del secador o utilice un tubo de por lo menos 5" de diámetro o como mínimo 25 in<sup>2</sup> de tubo de salida para la apertura.

## Preparar el secador para el transporte, paso a paso

**i** Estos procedimientos deben ser realizados por personal calificado únicamente.

1. Cierre la válvula de paso.
2. Gire el selector de programas a la posición «Off».
3. Desconecte la alimentación (apague el disyuntor, desenchufe el electrodoméstico).
4. Desconecte el alimentación de gas.
5. Cierre el grifo de agua conectado a la manguera de suministro de agua. Desconecte la manguera de suministro de agua.
6. Desconecte el tubo de ventilación de la salida correspondiente en el secador.
7. Recoja todos los accesorios y embálelos para enviarlos con el electrodoméstico.
8. Cierre la puerta y asegúrela con cinta adhesiva.
9. Atornille los pies ajustables en altura hasta que queden dentro de la carcasa para evitar que se dañen durante el transporte.
10. **Reinstalación del secador en una nueva ubicación** – Consulte las Instrucciones de Instalación en este manual (ver página 64).



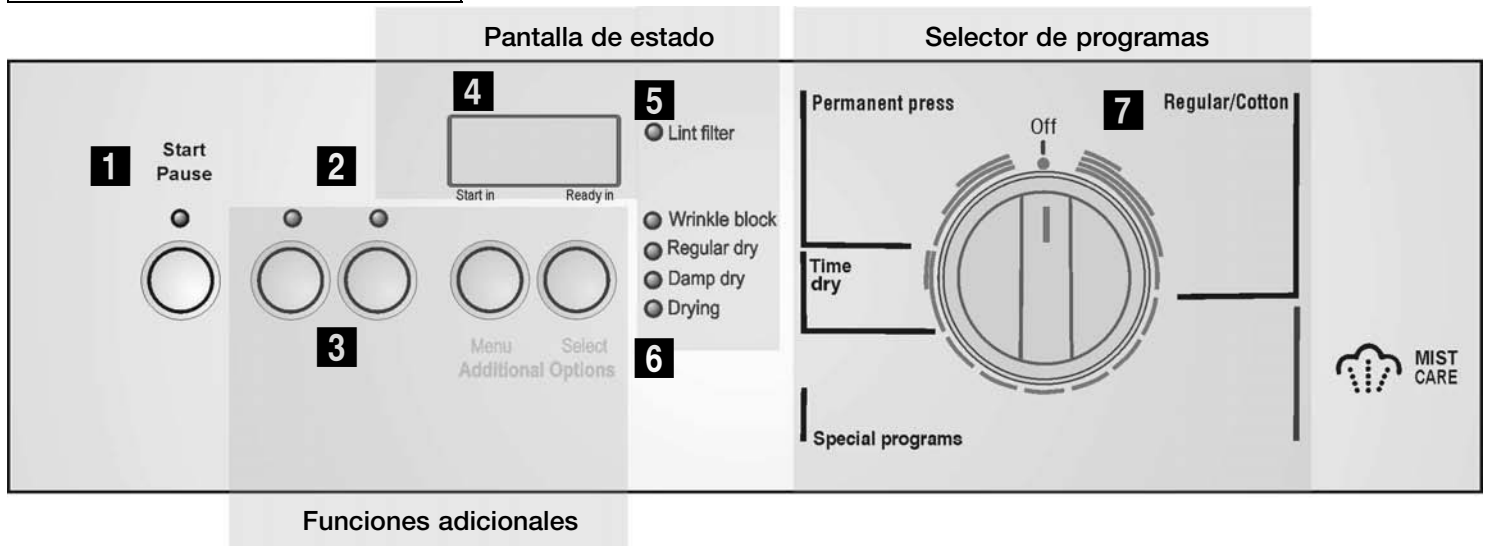
# INSTRUCCIONES DE FUNCIONAMIENTO

Antes de usar

Panel de manejo

## ADVERTENCIA

Antes de usar su secadora, lea y siga todas las instrucciones de la instalación y funcionamiento.



### Funciones adicionales

#### **1** Botón Start/Pause

Arranque y parada)  
Arranca, interrumpe y para el proceso de secado.

#### Estado del indicador luminoso Start/Pause (Arranque/Pausa)

**Luz titilante:** Pueden cambiarse los ajustes, puede arrancarse el ciclo de secado, o el programa está en modo "Pause" (Pausa).

**Luz titilante:** Pueden cambiarse los ajustes, puede arrancarse el ciclo de secado, o el programa está en modo "Pause" (Pausa).

**No encendida:** El programa finalizó, o no se ha seleccionado ningún programa.

#### **2** Botón Opcione

Agregue funciones al programa seleccionado. El indicador luminoso está encendido cuando el botón de opciones está seleccionado. Presione el botón de opciones nuevamente para apagar la opción (el indicador luminoso se apaga).

**Delicates low temp. (Ropa fina baja temperatura):** Presione el botón Delicates low temp. (Ropa fina baja temperatura) para tratar prendas sensibles a la temperatura (p. ej., fibras de acrílico). Se reduce la temperatura y se prolonga el tiempo que dura el proceso de secado, en la misma proporción.

**ECO E:** Presiónelo para ahorrar más energía (úselo sólo para los programas automáticos para algodón y planchado permanente). Presione el botón de la opción antes de arrancar un programa automático.

#### **3** Signal (Señal) (500 Series)

Presione los dos botones de opciones al mismo tiempo para habilitar una señal acústica que indique la finalización del programa (ver página 75). La señal de la Serie 800 se configura en el menú de la pantalla (ver página 77).

#### **4** Display Serie 500 Plus

Indica el tiempo restante estimado de los programas.

#### Serie 800

Indica los ajustes de las opciones adicionales y el tiempo restante estimado de los programas. (Ver página 77)

#### Opciones adicionales

**Menu (Menú)** selecciona una de las opciones adicionales

**Select (Seleccionar)** cambia los ajustes de la opción seleccionada

#### **5** Lint Filter LED

**Titila para recordarle que limpie el filtro para pelusas antes y después del uso.** Encendida (fija) cuando se abre la puerta durante un programa o en caso de que el flujo de aire se reduzca lo suficiente para crear un error E:01 (ver guía de localización de fallos, página 83).

#### **6** Luces indicadoras (LED)

Los indicadores luminosos se encienden en secuencia para mostrar el estado de humedad actual del proceso de secado.

**Protección contra arrugado** – al final del programa de secado, suena una señal acústica y se enciende el indicador luminoso Wrinkle block (Protección contra arrugado). El tambor rota a intervalos específicos durante una hora para evitar que la ropa se arrugue (ver página 75).

#### **7** Selector de programa

Selecciona el programa. Ver página 75. Puede girárselo en ambas direcciones.

Para apagar el secador, conmutar el selector de programa a «Off».

## Información adicional de seguridad



### ADVERTENCIA

Tenga siempre en cuenta las INSTRUCCIONES DE SEGURIDAD IMPORTANTES (Ver página 61).

## Protección del medio ambiente

### Consejos para la racionalización de energía

Bosch recomienda lo siguiente, para racionalizar energía, dinero y tiempo:

- **¡Escorra la ropa prolijamente!**  
Antes del secado, centrifugue la ropa prolijamente en la máquina de lavar. ¡Utilice la velocidad de centrifugado máxima admisible para el tipo de ropa en cuestión! Velocidades de centrifugado elevadas reducen el tiempo de secado y el consumo de energía.
- **¡Utilice la carga óptima!**  
Use la carga máxima recomendada. Sin embargo no debe excedérsela.
- **¡Limpie el filtro!**  
Limpie el filtro antes y después de cada proceso de secado (ver página 79).
- **¡Ventile el ambiente de emplazamiento!**  
Provea un suministro adecuado de aire fresco durante el proceso de secado.
- **¡No seque materiales inadecuados!**  
No seque prendas engomadas o impermeables.
- **¡Limpie e inspeccione el sistema de escape en forma regular!**  
Las obstrucciones pueden prolongar el tiempo de secado o hacer que el secador funcione mal.

## Desconexión temporal del secador

Haga funcionar su secador únicamente cuando está en su casa. Si tiene intención de irse de vacaciones o no va a usar el secador por un tiempo prolongado:

1. Corte el conmutador de alimentación.
2. Si es posible, desconecte el enchufe de alimentación.
3. Limpie el filtro de pelusas.
4. Cierre los grifos de agua.
5. Cierre la válvula de paso.

## Ropa

### Identificación de prendas

Observe el símbolo que determina el tratamiento en las etiquetas de las prendas. Éstas proveen información importante respecto de eventuales limitaciones concernientes al proceso de secado.

No seque textiles de los siguientes tipos:

- Impermeables (p. ej. engomadas)
- Ropa fina (seda, cortinas sintéticas)

**i** ¡Seque prendas de lana o con alto contenido de lana, únicamente sobre la cesta!

**i** Utilice el programa «Air fluff/no heat» (Suavizado a aire/ningún calor) para secar materiales de espuma de goma o similares.

## Consejos para el secado

En principio, lo siguiente encuentra aplicación en todos los programas:

- Para lograr un secado uniforme, seleccione la ropa de acuerdo al tipo de prenda y al programa a utilizar.
- Cierre cierres, ganchos y botones. Sujete cintas sueltas, delantales, cordeles, etc.
- No seque demasiado prendas de fácil cuidado. ¡Existe el peligro que se arruguen! Deje que estas prendas se sequen al aire libre.
- No planche la ropa inmediatamente después de secarla. Deje la ropa apilada por un momento. De esta manera se distribuye de modo pareja la humedad.
- Trabajos de punto (p. ej. camisas, prendas de jersey) muchas veces encogen cuando se las seca por primera vez. No utilice el programa «Very dry/Extra dry» (Muy seco/Extra seco).

# Selección del programa

Para obtener resultados de secado óptimos, su secador ofrece varios grupos de programas y opciones adicionales.

**Los programas automáticos** incluyen Regular/Cotton (Normal/Algodón) y Permanent press (Planchado permanente). La selección del programa se basa, en parte, en el tipo de tejido del lavado. Estos programas se controlan con sensores de humedad. La duración de los programas depende del grado de humedad medido en la ropa y del grado de secado seleccionado (p. ej., Damp dry (Húmedo), Regular Dry (Seco normal) o Extra dry (Extra seco)).

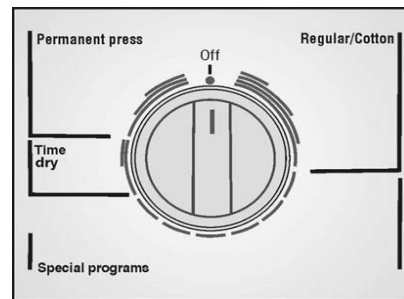
**Los programas de tiempo** tienen una duración especificada. El ciclo de tiempo Air fluff/No heat (Suavizado a aire/Ningún calor) funciona por 20 minutos con aire del medio ambiente (temperatura ambiente) y sin suministro de calor.

**Los programas especiales** tienen un diseño personalizado para tipos específicos de tejidos, tales como lana o mezclilla. Los productos o las prendas de lana sólo deben secarse usando la canastilla del secador.

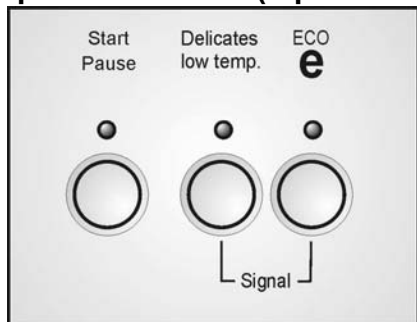
**Los ciclos MISTCARE®** son mejores para eliminar arrugas y reducir olores. Estos programas deben usarse con cargas que consistan en tres o cuatro prendas de algodón inarrugable, mezcla de algodón/poliéster, suéteres de algodón tejido o fibras sintéticas.

Durante este ciclo, se pulveriza una pequeña cantidad de agua en el tambor mientras gira con calor. Este proceso se repite, seguido de más giros y un breve período de enfriamiento. Para estos programas, el nivel de calor y el tiempo están preajustados.

Nota: Los resultados pueden variar según el tipo de tejido. Las prendas de 100% algodón con acabado antiarrugas pueden dar mejores resultados. Si la boquilla deja de pulverizar durante uno de los ciclos MISTCARE® (los síntomas serían que no se observa pulverización de agua en el tambor, la ropa tiene más arrugas que lo habitual con esta función), asegúrese de que la boquilla no esté obstruida. Es posible que se acumule pelusa que obstruya la punta de la boquilla, o el agua dura puede provocar acumulación de sarro en la boquilla (ver página 81).



## Option Buttons (Opciones)



### Delicates low temp. (Ropa fina baja temperatura)

Presione el botón «Delicates low temp.» (Ropa fina baja temperatura) para tratar prendas sensibles a la temperatura. Tenga en cuenta las informaciones de cuidado o los símbolos sobre las prendas. Se reduce la temperatura y se prolonga el tiempo que dura el proceso de secado.

### ECO e

Su secador tiene una opción ECO para «ahorro de energía». Esta opción se usa sólo con los programas automáticos para algodón y planchado permanente. Se reduce la temperatura y se prolonga el tiempo que dura el proceso de secado. Presione el botón de la opción antes de arrancar un programa automático.

**i** El tamaño de la carga, el tipo de tejido y las condiciones climáticas afectan la opción "ahorro de energía" del programa ECO e.

**i** Combinar esta función con el botón Delicates low temp. (Ropa fina baja temperatura) puede generar más ahorro.

### Signal (Señal)

#### 500 Serie

Su secador emite diversas señales. Si se presiona el botón "Signal" (Señal) y se enciende la luz indicadora, se generan los siguientes tonos audibles que indican el estado del electrodoméstico.

Señal	Tipo
Arranque	Sonido corto
Fin de programa	Secuencia de sonidos cortos
Fallo en el funcionamiento	Secuencia de sonidos prolongados
Advertencia de mal funcionamiento	Secuencia de sonidos prolongados

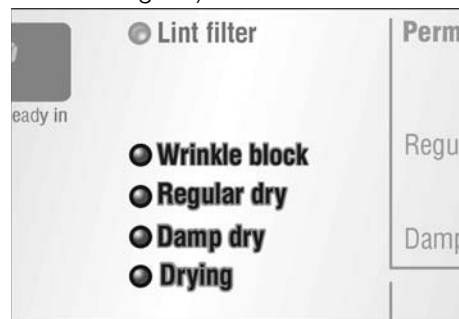
**i** La señal "Warning of malfunction" (Advertencia de mal funcionamiento) está siempre activa, se haya presionado o no el botón "Signal" (Señal).

## Indicador de estado del programa

El secador utiliza un sistema de seguimiento para todos los programas, excepto los programas de tiempo. Un sensor de humedad controla permanentemente el grado de humedad de la ropa. El secado concluye inmediatamente, en cuanto se logra el grado de humedad ajustado.

El tambor sigue girando por una hora a intervalos específicos, a fin de evitar que la ropa se arrugue.

El grado de humedad vigente y el nivel logrado durante la secuencia del programa se indica a través de luces indicadoras: drying (secado), damp dry (no muy seco), regular dry (secado normal) y Wrinkle block (protección contra arrugado).



**i** Si se enciende el indicador luminoso «Wrinkle block» mientras el selector de programas está en la posición Off, corte el suministro de energía eléctrica apagando el conmutador correspondiente y llame al servicio a clientes.

## Programas automáticos

**Regular/Cotton ECOSENSOR** (Normal/Algodón) Para algodón y ropa de color hecha de algodón o lino. Presione «Delicates low temp.» (Ropa fina baja temperatura) para ropa sensible a altas temperaturas.

<b>Damp dry</b> (Húmedo seco)	Sábanas, manteles y toallas	debe plancharse
	Sábanas, manteles y toallas, camisas, camisas deportivas, ropa de trabajo	
	Camisas, camisas deportivas, trajes, pantalones, ropa de trabajo e interior	
<b>Regular dry</b> (Medianamente seco)	Toallas de rizo, repasadores, y toallas de mano, sábanas, ropa interior, soquetes de algodón	que no debe plancharse
<b>Very dry</b> (Muy seco)	Toallas de rizo, repasadores, y toallas de mano, sábanas, ropa interior, soquetes de algodón	que no debe plancharse gruesos multicapa
<b>Extra dry</b> (Extra seco)	Salidas de baño de rizo y sábanas de rizo,	particularmente gruesas o multicapa

**Permanent Press ECOSENSOR** (Estampados) Ropa de fácil cuidado (sin centrifugar) de fibra sintética o mezcla, algodón con poliéster. Presione el botón «Delicates low temp.» para prendas extremadamente sensibles a altas temperaturas.

<b>Damp dry</b> (Húmedo seco)	Pantalones, trajes, faldas, camisas, blusas, jeans, ropa deportiva con abundante fibra sintética, lencería	que no debe plancharse o solo ligeramente
<b>Regular dry</b> (Medianamente seco)	Camisas, blusas, ropa deportiva	que no debe plancharse
<b>Very dry</b> (Muy seco)	Sábanas y manteles, equipos de gimnasia, anoraks, frazadas	que no debe plancharse gruesos multicapa

## MISTCARE® Programs

<b>MISTCARE® Refresh</b>	Algodón, mezclas de algodón/poliéster, tejidos comunes y camisas sintéticas, pantalones, faldas, camisetas y pulóveres de mezcla de algodón. Los tejidos inarrugables dan los mejores resultados. Ayuda a alisar las arrugas y reducir los olores. Úselo con una carga ligera, por ejemplo, 3 ó 4 camisas. El programa dura aproximadamente 16 minutos.
<b>MISTCARE® Wrinkle relax</b>	Ayuda a alisar las arrugas. Úselo con una carga ligera, por ejemplo, 3 ó 4 camisas. El programa dura aproximadamente 12 minutos.
<b>MISTCARE® Touch up</b>	Este programa se usa para retocar una carga de tejidos de algodón que se ha secado y ha quedado en el tambor del secador durante toda la noche, al finalizar el ciclo. Este programa de 20 minutos retoca la carga para ayudar a alisar las arrugas causadas por el propio peso de la carga.
	La ropa que contiene espuma, hule o plástico debe dejarse secar en un tendedero o usando el ciclo Air fluff/No heat (Suavizado a aire/Ningún calor) ya que estos artículos pueden prenderse fuego debido al calor que emite el programa MISTCARE.

## Special Programs

<b>Wool</b>	Tejidos de lana lavables (p.ej., suéteres, pulóveres de lana, faldas) <b>¡Los tejidos de lana secos o con alto contenido de lana deben secarse sólo con la canastilla del secador!</b>
<b>Jeans (Mezclilla)</b>	Tela de mezclilla gruesa
<b>Quick</b> (800 Series)	Cargas pequeñas, cargas que necesitan poco tiempo de secado, (p. ej., camisas deportivas, prendas para hacer ejercicios (algodón, fibras sintéticas))

## Programas temporizados

<b>30 min., 60 min.</b> (Serie 500) <b>Medium + required drying time</b> (800 Series)  (Serie 800) Si selecciona un programa de duración variable (p. ej., programas de tiempo, para lana) la pantalla comienza a centellear. Debe ajustar el tiempo.	Prendas centrifugadas con bajo contenido de humedad, pequeños artículos individuales, p. ej., toallas de baño, trajes de baño, repasadores. Para la condición de carga más pequeña, de 0.22 lb a 0.44 lb (es decir, una toalla pequeña) debe seleccionarse un programa de secado por tiempo. – Para algodón y ropa de color hecha de algodón o lino. – Textiles sensibles a altas temperaturas.
<b>Air fluff/No heat</b> (Suavizado a aire/Ningún calor)(500 Series) <b>Air fluff / No heat + required time</b> (800 Series)	Refrescado o ventilación de prendas con poco uso y secado de textiles muy delicados. Para todos los tipos de prendas incluyendo goma espuma (p. ej. almohadas, animales de peluche), plástico (p. ej. cortinas de baño, manteles), goma (p. ej. alfombrillas), nylon puro, polipropileno, olefin).

## Opciones adicionales Serie 800

**i** ¡Antes de activar opciones adicionales, seleccione un programa con el selector correspondiente!



Seleccione la opción que desea cambiar mediante el botón «Menu». Presione el botón para cambiar al punto siguiente en el menú. El símbolo correspondiente a la opción activa comienza a centellear.

El ajuste de la opción activa en el momento se indica en el display. Estos ajustes pueden cambiarse ahora, mediante el botón «Select». Presione este botón para saltar al próximo ajuste posible.

**i** Presionando nuevamente el botón «Menu», se memorizan los ajustes realizados anteriormente. Si no presiona botón alguno en los 10 segundos siguientes, los ajustes se memorizan automáticamente.

Símbolo	Función	Ajustes posibles	Explanacion														
	Ajusta el retraso del tiempo de iniciación del secador (Arranque en ... horas!)	0 a 12 h (pasos de 0.5 hs)															
	Cuidado intensivo (más cuidadoso que «Delicates/low heat» (Ropa fina/baja temperatura))	On/Off	Si usted ha elegido la opción adicional "cuidado adicional" la "temperatura baja Delicada/low." la luz de indicador ilumina. Presionar la "temperatura de Delicada/low." el botón cancela la opción adicional "cuidado adicional".														
	Bloqueo de datos (efectivo solamente mientras el programa está en curso)	On/Off	Esta opción adicional permite que usted trabaje sus ajustes para prevenir el uso involuntario del secador. Para encender el secador cuando el protector de seguridad esté activo: Presione y sostenga el botón "prender y parar" por 4 segundos. Para abrir esta opción adicional cuando el secador está funcionando: Presione y sostenga el botón "prender y parar" por 4 segundos.														
	Extra Drying Time Grado de secado seleccionable por el usuario	0, 1, 2, 3 (0=default, 1=dryer, 3=dryest)	Si usted ha elegido los pasos 1 a 3 de la opción adicional "grado de la sequedad" se exhibe el símbolo Z. 0 es el estándar que fija 0 símbolos no se exhibe Z.														
	Volumen de la señal de finalización de programa y de secado	Off, Continuo, Máximo	Su secador hace salir diversas señales para ciertos acontecimientos. Usted puede permitir o inhabilitar la señal simultáneamente presionando los botones demostrados.														
	El tiempo de secado optimizado para la velocidad de centrifugado coordina el tiempo restante mostrado para el secador con la velocidad de centrifugado a la cual se centrifugó previamente la ropa en la lavadora	400 600 800 1000 1200	Para optimizar la pantalla de tiempo restante, la velocidad de centrifugado a la cual se centrifugó previamente la ropa en la lavadora puede ser ingresada por el usuario.														
			<table border="1"> <thead> <tr> <th>Event</th> <th>Signal (señal)</th> </tr> </thead> <tbody> <tr> <td>Permita la señal</td> <td>Tono corto</td> </tr> <tr> <td>Inhabilite la señal</td> <td>Dos tonos cortos</td> </tr> <tr> <td>Comience El Ciclo</td> <td>Tono corto</td> </tr> <tr> <td>Terminar el ciclo</td> <td>Secuencia de tonos cortos</td> </tr> <tr> <td>Mal-Operación</td> <td>Secuencia de tono largas</td> </tr> <tr> <td>Cuidado del malfuncionamiento</td> <td>Ordre de longues tonalités (volumen maximos)</td> </tr> </tbody> </table>	Event	Signal (señal)	Permita la señal	Tono corto	Inhabilite la señal	Dos tonos cortos	Comience El Ciclo	Tono corto	Terminar el ciclo	Secuencia de tonos cortos	Mal-Operación	Secuencia de tono largas	Cuidado del malfuncionamiento	Ordre de longues tonalités (volumen maximos)
Event	Signal (señal)																
Permita la señal	Tono corto																
Inhabilite la señal	Dos tonos cortos																
Comience El Ciclo	Tono corto																
Terminar el ciclo	Secuencia de tonos cortos																
Mal-Operación	Secuencia de tono largas																
Cuidado del malfuncionamiento	Ordre de longues tonalités (volumen maximos)																

# Funcionamiento

## Uso del secador

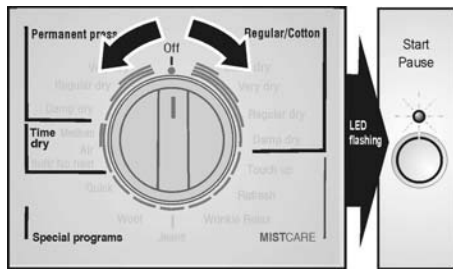
1. Abra la puerta.



2. Controle el filtro.

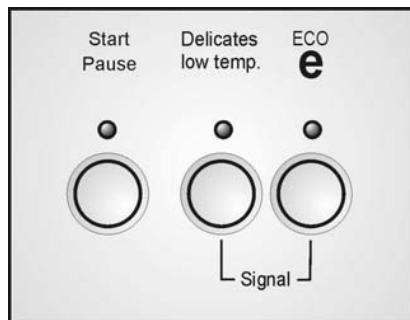
Debe limpiarse el filtro antes y después de usar el secador. Limpiar el filtro reduce el tiempo de secado y ahorra energía. (Ver página 79 para consultar las instrucciones de limpieza del filtro para pelusas).

**i** Si las superficies coloreadas de la secador entran en contacto con el blanqueador, puede ocurrir que éstas se decoloren. Por ello es importante que el blanqueador no entre en contacto con las superficies mencionadas. Si se desparramara blanqueador sobre las superficies coloreadas, limpie inmediatamente con un paño de papel húmedo on la mayor prolijidad.



3. Gire el selector de programas al programa deseado. Seleccione el programa que corresponda a la ropa colocada en el secador de la tabla correspondiente (ver página 75). Se enciende la luz en el interior del secador.

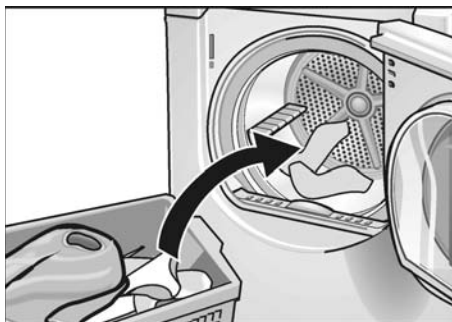
**i** La luz indicadora «start/stop» comienza a centellear.



4. Si hace falta, seleccione una opción disponible ("Delicates low temp" (Ropa fina baja temperatura) o "ECO e") presionando el botón correspondiente (ver figura anterior).

Las «Opciones» se explican en la página 75.

**i** Se mostrará el tiempo restante estimado.



5. Coloque la ropa en el tambor vacío. Coloque cada prenda por separado en el interior de la máquina. Para un resultado óptimo, debe separarse la ropa en función de su tipo y el grado de humedad residual deseado. Para más información, consulte la página 74.

**i** Tenga en cuenta los símbolos para el secado de la ropa, colocados por el fabricante. Si está por secar prendas de lana y calzados, consulte la página 79.

Asegúrese que haya solamente ropa en el tambor. Controle que todas las prendas estén completamente dentro del tambor.

6. Cierre la puerta.

La luz indicadora «Start/Stop» continúa a centellear.

**i** Si la puerta no fue cerrada correctamente, el secador no arrancará.



7. Presione el botón «Start/Stop». Le luz indicadora «Start/Stop» quedará encendida permanentemente.

**i** El programa comienza con una señal acústica (si así fue ajustado). Si fue seleccionado un programa estándar, las luces indicadoras señalan el avance de la secuencia del programa.

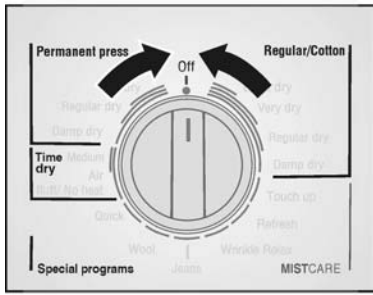


**i** Al finalizar el programa se emite una señal acústica (si así fue ajustado) y se enciende el LED «Wrinkle block» (protección contra arrugado).

**i** Una vez que el proceso de secado ha finalizado (el programa o el programa de tiempo han concluido), el tambor gira en intervalos específicos durante 1 hora. Esto evita que la ropa se arrugue. La ropa permanece suelta y suave hasta que se la quita. Deberá quitarse la ropa como máximo, una vez concluido este tiempo.

8. Abra la puerta.

9. Saque la ropa del secador.



10. Gire el selector de programas a la posición «Off». La luz del secador se apaga.
11. Limpie el filtro. El filtro debe limpiarse después de cada proceso de secado. Un filtro limpio reduce el tiempo de secado y ahorra energía.
12. Cierre la puerta.

## Limpiar el filtro para pelusas

Un filtro sucio incrementa el tiempo de secado y aumenta el consumo de energía.

El filtro debe limpiarse antes y después de cada proceso de secado o a más tardar.

Si tanto la señal como el mensaje de alerta E:01 son omitidos durante algún ciclo de secado, limpie el filtro inmediatamente y chequee el ducto de escape.

**i** El programa se interrumpe automáticamente.

1. Apague el secador. Coloque el selector de programas en "Off" (Apagado).

## **⚠ CUIDADO**

La parte interior de la puerta se calienta durante el proceso.

2. Abra la puerta.



3. Quite el filtro.



4. Quite las pelusas pasando la mano sobre el filtro.

El filtro debe ser restregado suavemente dos veces al año con agua tibia enjabonada. El filtro debe ser limpiado cuando no es capaz de mantener el agua. El filtro debe estar bien seco antes de que sea reemplazado.



5. Coloque el filtro.
6. Cierre la puerta.

## Uso de la canastilla

(Accesorio, ver página 71)

Utilice la canastilla para secar prendas de lana lavables (p. ej. suéteres) y calzados. La canastilla para secar permanece quieta mientras el tambor gira. La lana húmeda no debe moverse ya que tiende a afeltrarse. Secar calzados sin la canastilla, puede dañar el tambor.

**i** Utilice la canastilla para secar con el ciclo para prendas de lana. Si no utiliza la canastilla, el sensor apagará el secador después de aproximadamente 7 minutos.

## AVISO

¡Seque solamente una prenda o un par de zapatos por vez! ¡La carga máxima para secar es de 2,2 lbs (1 kg)! ¡La ropa debe haberse centrifugado! ¡El calzado a secar debe presentar solamente la humedad residual después de un lavado! ¡La ropa no debe tocar el tambor! Puede engancharse en éste y dañarse. Una vez utilizada la canastilla para secar, sáquela inmediatamente del secador.

## Colocar la canastilla para secar

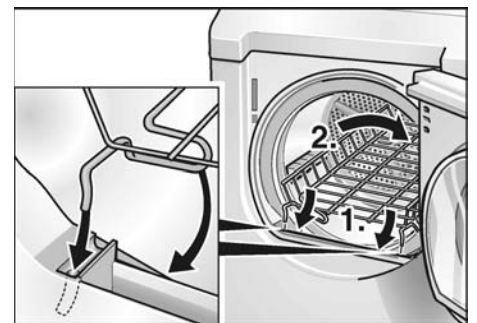
1. Abra la puerta del secador.
2. Controle que el tambor esté vacío.



3. Quite el filtro.



4. Inserte la canastilla para secar horizontalmente en el tambor.



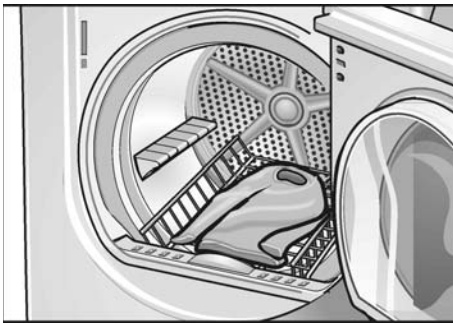
5. Coloque la canastilla para secar de modo que los soportes penetren en los alojamientos frontales previstos a tal fin.



6. Coloque el filtro para la pelusa. ¡Este debe insertarse de modo que quede alineado con el borde del tambor!

### Secar prendas de ropa sobre la canastilla

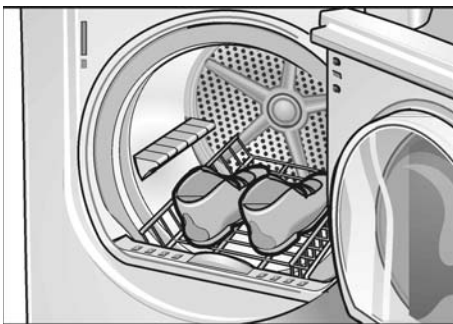
1. Pliegue la ropa de modo que quepa en la canastilla.



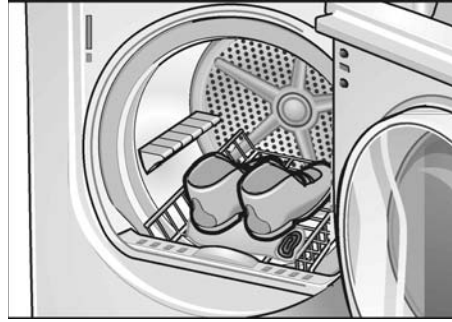
2. Coloque la ropa suelta sobre la canastilla. ¡No la aplaste! ¡La ropa no debe tocar el tambor! ¡No permita que la ropa cuelgue fuera de la canastilla!
3. Cierre la puerta.
4. Gire el selector de programas a «Time dry/...min».
- Seleccione el tiempo de secado de acuerdo con el tipo de ropa.

### Secar calzado sobre la canastilla:

1. Prepare el calzado.
- Limpie el calzado para evitar que el tambor se ensucie.
  - Al preparar el calzado, extienda la lengua de los mismos.
  - Afloje o quite los cordones.
  - Extraiga partes adicionales como plantillas.



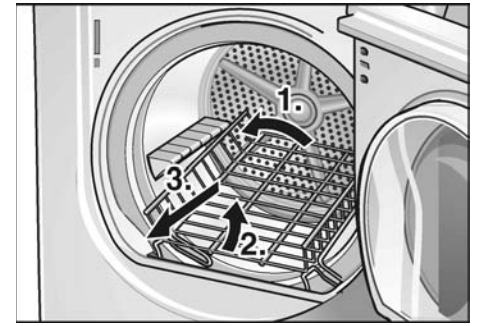
2. Coloque el calzado sobre la canastilla.
- Directamente sobre la canastilla o bien



- Coloque una toalla y, sobre ésta, los tacos del calzado. Esto conducirá a un resultado más uniforme del secado.



3. Vuelva a colocar el filtro para las pelusas.
4. Presione el botón «Start/Stop». Le luz indicadora «Start/Stop» quedará encendida permanentemente.
5. Si la prenda aún presenta una humedad residual después del secado:
- pliegue la prenda de modo que las partes húmedas están hacia fuera,
  - vuelva a hacer arrancar el proceso de secado y selecciones un tiempo de secado menor, según el grado de humedad residual.
6. Después del secado, extienda la ropa al aire libre por aproximadamente 15 minutos (el calzado por aproximadamente 30 minutos).
7. Quite el filtro.



8. Extraiga la canastilla del tambor.



9. Vuelva a colocar el filtro para las pelusas.



# Limpeza y cuidado

## CUIDADO

El panel de acceso ubicado en la parte inferior izquierda de la secadora, es exclusiva- mente para tareas de service y debe ser abierto solamente por personal debidamente autoriza- do y capacitado. (el panel se puede ocultar de la visión por la extensión de la puerta).



## Limpeza del secador

### ADVERTENCIA

**PARA EVITAR  
¡PELIGRO DE EXPLOSIONES!**  
Nunca utilice solventes o líquidos altamente inflamables para la limpieza.

### AVISO

Una limpieza incorrecta, puede dañar el secador. No limpie con chorro de agua a presión. No utilice agentes agresivos o limpiadores multiuso. No utilice limpiadores a vapor.

Friegue la carcasa y el frente con un paño suave y agua con jabón. Friegue el tambor, la junta de la puerta y el interior del mismo solamente con un paño húmedo.

## Limpiar el tubo de aire de salida

Inspeccione y limpie los conductos del escape, por lo menos, una vez al año para prevenir obstrucciones. Un conducto de escape parcialmente obstruido prolonga el tiempo de secado y tiene como consecuencia un bajo rendimiento del secador.

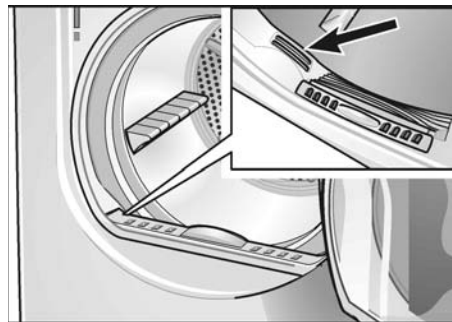
- Corte el conmutador de alimentación
- Desconecte el enchufe de alimentación
- Cierre la válvula de paso.
- Desconecte el tubo del secador.
- Vacíe el tubo y vuélvalo a conectar.

### ADVERTENCIA

Desconecte las conexiones de gas antes de mover el secador a fin de limpiar el conducto. Sea cuidadoso de no destruir la conexión de gas durante la limpieza del conducto.

## Limpiar el sensor de humedad

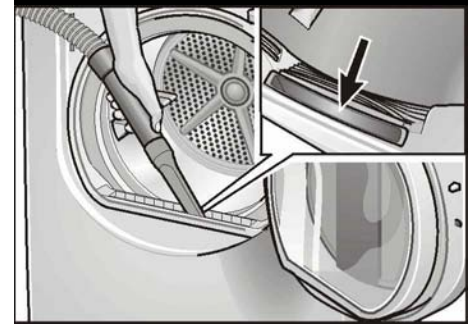
Ocasionalmente debe limpiarse el sensor de humedad, ya que se genera una capa fina de depósitos sobre la superficie del mismo.



El depósito puede eliminarse fácilmente, fregando el sensor (las dos barras próximas al filtro para pelusas) mediante un paño y un poco de vinagre blanco.  
¡Utilice solamente vinagre blanco!  
Limpie el sensor de humedad una vez al mes.

## Limpeza de la protección del rodamiento

A través del tiempo, se junta pelusa resultante de los sucesivos procesos de secado en la protección del rodamiento.



Esta pelusa puede eliminarse fácilmente utilizando la aspiradora, por lo menos una vez al mes.

## Limpe el MISTCARE™ Inyector

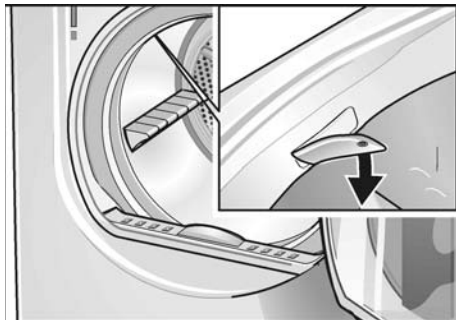
Una vex al año examine el enchufe del inyector. Si usted sospecha la obstrucción, limpie el exterior del inyector con un paño humedecido con vinagre. Si la boquilla está completamente obstruida, consulte la guía de localización de fallos (ver página 85) para conocer las instrucciones de remoción y limpieza. Si la boquilla permanece obstruida, llame a servicio al cliente (ver página 85).

## Cambiar la lamparilla

La luz del secador se enciende, cuando abre la puerta del mismo.

Para cambiar la lamparilla:

- Fije el selector del programa a "Off."
- Corte el conmutador de alimentación.
- Desconecte el enchufe de alimentación.
- Abra la puerta y localice la lamparilla en la parte superior izquierda del la junta.



- Afloje el tornillo de la cobertura y ábrala.
  - Gire la lamparilla en el sentido opuesto a las agujas del reloj. Reemplace la lamparilla únicamente por una del tipo para electrodomésticos (se adquiere en el servicio a clientes).
- i** Piezas disponibles en [www.boschappliances.com](http://www.boschappliances.com) o llamando al 1-800-944-2904.
- Vuelva a colocar la cubierta y sujétela mediante el tornillo.
  - Vuelva a enchufar el secador o a conectar la alimentación.

# Localización de fallos



## ADVERTENCIA

¡PARA EVITAR RIESGO DE DESCARGAS ELÉCTRICAS!  
Eventuales reparaciones o reemplazos de piezas deben efectuarse exclusivamente por técnicos calificados o electricistas con licencia.

Antes de llamar el servicio a clientes, controle si no puede reparar el fallo usted mismo, consultando la esta tabla.  
Si es necesario efectuar reparaciones y usted no puede eliminar el fallo mediante la tabla siguiente:

1. Gire el selector de programas a «Off».
2. Quite el fusible.
3. Desconecte el enchufe del tomacorriente.
4. Llame al servicio para clientes (consulte la página 86).

Problema	Causa posible	Remedio
El secador no arranca. «Start/Stop» la luz de indicador no ilumina.	El enchufe no está conectado o incorrectamente conectado.	Conecte el enchufe correctamente.
	Se ha quemado un fusible de la alimentación.	Cambie o reponga el fusible.
	No fue pulsado el botón «Start/Stop».	Presione el botón «Start/Stop».
	No fue seleccionado programa alguno.	Seleccione un programa.
	La puerta no está cerrada.	Cierre la puerta.
La ropa sucia es mojada después de secar.	La válvula de la válvula es cerrada.	Abra la válvula de válvula
	La temperatura ambiente está debajo de los 41 °F/5 °C.	Aumente la temperatura del ambiente.
Fue interrumpido el programa. Se emite una señal de advertencia y el display indica «E:01».	El filtro para pelusas está sucio.	Limpie el filtro para pelusas según se describe en página 79. Apague y vuelva a encender equipo.
	El tubo de aire de salida está obstruido o es demasiado largo.	Limpie el tubo de aire de salida. Reduzca la longitud del tubo de aire de salida a su longitud máxima según se describe en página 70. Apague y vuelva a encender equipo.
	Hay un fallo en el desarrollo del programa o fallo en la máquina.	Apague el secador, déjelo enfriar por 30 minutos y vuelva a encenderlo. Haga arrancar nuevamente el programa.
	El ambiente o gabinete no posee la ventilación suficiente.	Provea un acceso de aire fresco suficiente. Apague y vuelva a encender equipo.

No se ha logrado el grado de humedad deseado o el tiempo de secado es demasiado largo. El display indica «E:03».	Está sucio el sensor de humedad.	Limpie el sensor de humedad según se describe en la página 81. Apague y vuelva a encender el equipo.
	El tubo de aire de salida está obstruido o es demasiado largo.	Limpie el tubo de aire de salida. Reduzca la longitud del tubo de aire de salida a su longitud máxima según se describe en página 70. Apague y vuelva a encender equipo.
	El filtro para pelusas está sucio.	Limpie el filtro para pelusas según se describe en página 79. Apague y vuelva a encender equipo.
	La ropa está demasiado mojada.	Centrifugue la ropa a mayor velocidad en la máquina de lavar. Apague y vuelva a encender el equipo.
	Se ha seleccionado un programa no admisible.	Seleccione el programa con ayuda de la tabla correspondiente (ver página 77. Apague y vuelva a encender el equipo.
	Se excede el tiempo de secado máximo.	Limpie el filtro para pelusas (ver página 79). Controle la salida de aire. Centrifugue la ropa a mayor velocidad en su lavadora.
	El motor ha excedido la temperatura máxima.	Apague el secador, déjelo enfriar por 30 minutos y vuelva a encenderlo. Haga arrancar el programa.
	El grado de humedad honesta correctamente ajustado	800 Serie, Cambia ajustes para el grado de la sequedad, véase en la página 77.

Problema	Causa posible	Remedio
No funciona la luz en el tambor.	No fue seleccionado programa alguno.	Seleccione un programa.
	La lamparilla está defectuosa o quemada.	Cambie la lamparilla según se indica en la página 82.
	No hay alimentación de energía.	Controle que la alimentación de energía funcione correctamente.
	La bombilla es floja.	Apriete la bombilla. Quite y reinstale la cubierta según lo dirigido en la página 76.
No se enciende la luz indicadora «Start/Stop». La luz indicadora “Wrinkle block” (Protección contra arrugado). EL display indica «000».	Error en el desarrollo del programa o fallo en la máquina.	Apague el secador, déjelo enfriar por 30 minutos y vuelva a encenderlo. Haga arrancar nuevamente el programa.
El filtro de la pelusa LED esta intermitente después de que el filtro ha sido cambiado.	La intermitencia del filtro de la pelusa LED no es indicación de que hay un problema. Solo es usado como un recordatorio para limpiar el filtro de la pelusa.	No requiere de ninguna acción. LED dejara de estar intermitente.
Ruido inusual      ruido sordo	Los rodillos de suspensión del tambor necesitan tiempo para calentarse.	No se requiere hacer nada. Cuando los rodillos del sistema de suspensión se calienten, el ruido sordo disminuirá y deberá detenerse a los 2–3 minutos de empezar a usar el secador.
Ruido inusual      Vibración constante	El secador no está nivelado.	Nivele el secador (consulte la sección “Instrucciones de Instalación” del manual del usuario).
Ruido inusual      Vibración rítmica	La carga rebota porque la ropa se agrupó formando una bola.	Detenga el secador, separe las prendas, vuelva a encender el secador.

No se pulveriza agua en la unidad durante los ciclos MISTCARE™	La(s) llave(s) de agua no está(n) abierta(s).	Abra la llave de agua.
	<b>La función de seguridad de la manguera AQUASTOP®</b> está activada.	Confirme la activación <b>de la manguera AQUASTOP®</b> mediante inspección visual del indicador rojo de la manguera (ver página 67). Si aparece el indicador rojo (la manguera está activada) reemplace la manguera.
	Boquilla obstruida	Retire la boquilla con una llave de cubo de 7/16 pulgada. Coloque la boquilla en un recipiente lleno con vinagre blanco en cantidad suficiente para cubrir la boquilla. Deje la boquilla en remojo durante cinco minutos y luego friegue la punta de la boquilla suavemente con un cepillo dental para eliminar los residuos. Enjuague la boquilla y vuelva a insertarla en el secador. Apriétela a mano y luego apriete una vuelta más con la llave.

# SERVICIO y REPARACIONES

## ADVERTENCIA

**ADVERTENCIA:** Identifique todos los cables antes de desconectarlos al realizar el servicio técnico de los controles. Los errores de cableado pueden causar una operación incorrecta que podría provocar graves daños al electrodoméstico o lesiones personales. Verifique la correcta operación después de realizar el servicio técnico.

El secador no requiere de otros cuidados especiales, aparte de aquellos especificados más arriba.

**i** Si tiene un problema con su secador, antes de llamar el servicio a clientes, consulte la tabla en página 83.

Si se hace necesario un servicio, póngase en contacto con su vendedor, instalador u otro centro de servicios autorizado. No intente reparar el electrodoméstico usted mismo. Cualquier trabajo realizado por personal no autorizado, hará caducar la garantía.

Si tiene problemas y no está conforma con el servicio recibido:

- Primero rogamos ponerse en contacto con su instalador o bien el servicio autorizado y contratado Bosch de su zona, explicando porque no está conforme, explicando a que se debe su disconformidad.
- Si después del trabajo realizado por su instalador o técnico de servicio el problema no ha sido solucionado a su satisfacción, háganoslo saber, o bien escribiendo a:

BSH Home Appliances Corporation  
5551 McFadden Ave.  
Huntington Beach, CA 92649

O bien llámenos a

**1-800-944-2904.**

Tanto en caso de escribir o de llamar, asegúrese de incluir o tener a mano la siguiente información:

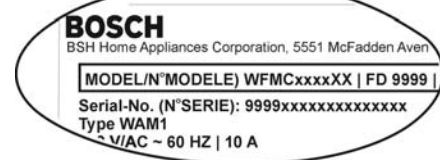
- Número de modelo
- Número de serie
- Fecha de compra original
- Fecha en la cual ha ocurrido el problema
- Explicación del problema

En caso que nos escriba, rogamos incluir también un número telefónico diurno y una copia de la factura de compra.

Encontrará la información respecto del número de modelo y de serie sobre la chapa de características ubicada en el interior del panel frontal.

La imagen a continuación muestra la ubicación aproximada de la placa de valores nominales. El número de modelo tiene un rectángulo alrededor. El número de serie está ubicado debajo del número de modelo.

Un ejemplo se demuestra abajo.



El fabricante se reserva el derecho de realizar modificaciones al producto o al manual sin notificación.

# DECLARACIÓN DE GARANTÍA LIMITADA DEL PRODUCTO

Secador de ropa Bosch Nexxt®

**Cobertura de esta garantía y a quiénes se aplica:** La garantía limitada otorgada por BSH Home Appliances Corporation (Bosch) en esta Declaración de Garantía Limitada del Producto se aplica únicamente al secador de ropa (“Producto”) Bosch Nexxt® vendido a usted, el primer comprador usuario, pero estrictamente condicionada a que el producto haya sido comprado: (1) para uso doméstico (no comercial) normal y haya sido utilizado en todo momento únicamente para fines domésticos normales (cualquier uso o programación comercial del producto anula automáticamente la garantía); (2) nuevo en una tienda minorista (que no sea un producto de exhibición, ni un producto vendido “en las condiciones en que se encuentra”, ni un modelo devuelto anteriormente) comprado directamente por el consumidor final, y no esté destinado para reventa ni uso comercial; y (3) dentro de los Estados Unidos o Canadá, y permanezca en todo momento dentro del país de compra original. Las garantías incluidas en el presente se aplican únicamente al primer comprador del Producto y no son transferibles. La garantía se anula automáticamente si el Producto fue un modelo de exhibición, un producto vendido “en las condiciones en las que se encuentra”, forzado, un modelo dañado o “con ralladuras y abolladuras”, o un modelo devuelto anteriormente, un obsequio, donación caritativa o premio de un concurso.

- Asegúrese de devolver su tarjeta de registro; si bien no es necesario para hacer efectiva la cobertura de la garantía, es la mejor manera para que Bosch le notifique en el caso poco probable de que se emita un aviso de seguridad o se retire del mercado un producto.

**Duración de la garantía:** Bosch garantiza que el Producto no tiene defectos en los materiales ni en la mano de obra durante un período de trescientos sesenta y cinco (365) días a partir de la fecha de compra. El período precedente comienza a regir a partir de la fecha de compra y no se interrumpirá, dejará sin efecto, extenderá ni suspenderá por ningún motivo.

**Reparación/reemplazo como único recurso:** Durante el período de esta garantía, Bosch o uno de sus proveedores de servicio técnico autorizados reparará su Producto sin cargo para usted (con sujeción a determinadas limitaciones especificadas en el presente) si se prueba que su Producto ha sido fabricado con un defecto en los materiales o en la mano de obra. Si se ha intentado de manera razonable reparar el Producto sin éxito, Bosch reemplazará su Producto (es posible que usted tenga disponibles modelos mejorados, a entera discreción de Bosch, por un cargo adicional). Todas las piezas y los componentes extraídos serán propiedad de Bosch, a su entera discreción. Todas las piezas reemplazadas y/o reparadas se considerarán como la pieza original a los fines de esta garantía, y esta garantía no se extenderá con respecto a dichas piezas. En virtud del presente, la única y exclusiva responsabilidad y obligación de Bosch es únicamente reparar el Producto defectuoso de fábrica, a través de un proveedor de servicio técnico autorizado por Bosch durante el horario normal de oficina. Por cuestiones de seguridad y daños materiales, Bosch recomienda categóricamente que no intente reparar el Producto usted mismo ni use un centro de servicio técnico no autorizado; Bosch no tendrá responsabilidad ni obligación alguna por las reparaciones o trabajos realizados por un centro de servicio técnico no autorizado. Si usted prefiere que una persona que no es un proveedor de este servicio técnico autorizado trabaje en su Producto, ESTA GARANTÍA SE ANULARÁ AUTOMÁTICAMENTE. Los proveedores de servicio técnico autorizados son aquellas personas o compañías que han sido especialmente capacitadas para manejar los productos Bosch y que tienen, según el criterio de Bosch, una reputación superior de servicio al cliente y capacidad técnica (debe tener en cuenta que son entidades independientes y *no* son agentes, socios, afiliados ni representantes de Bosch). Sin perjuicio de lo que antecede, Bosch no tendrá responsabilidad ni obligación alguna por el Producto que se encuentre en un área remota (a más de 100 millas de un proveedor de servicio técnico autorizado) o en un lugar, área circundante o entorno que no sea accesible por medios razonables o que sea peligroso, hostil o arriesgado; en cualquier caso, a su solicitud, Bosch de todas maneras pagará por la mano de obra y las piezas, y enviará las piezas al proveedor de servicio técnico autorizado más cercano, pero usted seguirá siendo totalmente responsable por el tiempo de viaje y demás cargos especiales de la compañía de servicio técnico, suponiendo que acepte hacer la visita de servicio técnico.

## Garantía limitada extendida:

DURACIÓN DE LA GARANTÍA	ALCANCE DE LA GARANTÍA
2 años de garantía limitada a partir de la fecha de compra	Bosch proveerá repuestos, sin cargo, de los componentes que se encuentren defectuosos en condiciones de uso doméstico normal durante los dos primeros años a partir de la fecha de compra, incluidos los costos normales (no acelerados) de envío y sin incluir los gastos por mano de obra.
2 años de garantía limitada para sistemas electrónicos a partir de la fecha de compra	Bosch reparará o reemplazará, sin cargo, cualquier microprocesador o tablero de circuitos impreso que se encuentre defectuoso en condiciones de uso doméstico normal durante los dos primeros años a partir de la fecha de compra, sin incluir los cargos por mano de obra.
2 años de garantía limitada para el motor a partir de la fecha de compra	Bosch reparará o reemplazará, sin cargo, cualquier motor o componente de un motor que se encuentre defectuoso en condiciones de uso doméstico normal durante los dos primeros años a partir de la fecha de compra, sin incluir los cargos por mano de obra.

**Producto fuera de garantía:** Bosch no tiene obligación alguna, en virtud de la ley o por otro motivo, de otorgarle ninguna concesión, incluidos reparaciones, prorrates o reemplazo del Producto, con posterioridad al vencimiento de la garantía.

**Exclusiones de la garantía:** La cobertura de garantía descrita en el presente excluye todos los defectos o daños que no fueron provocados directamente por Bosch, incluidos, entre otros, alguno de los siguientes: (1) uso del Producto de maneras distintas del uso normal, habitual y previsto (incluidos, entre otros, cualquier forma de uso comercial, uso o almacenamiento en exteriores de un producto diseñado para interiores, uso del Producto en aeronaves o embarcaciones); (2) conducta indebida, negligencia, uso indebido, abuso, accidentes, descuido, operación inadecuada, omisión de mantener, instalación inadecuada o negligente, adulteración, omisión de seguir las instrucciones de operación, manipulación inadecuada, servicio técnico no autorizado (incluidos “arreglos” o exploración de los mecanismos internos del electrodoméstico realizados por uno mismo) por parte de cualquier persona; (3) ajuste, alteración o modificación de cualquier tipo; (4) incumplimiento de los códigos, reglamentaciones o leyes de electricidad, plomería y/o construcción locales, municipales o de condado, incluida la omisión de instalar el producto cumpliendo estrictamente con los códigos y reglamentaciones locales de construcción y protección contra incendios; (5) desgaste habitual, derrames de alimentos, líquidos, acumulaciones de grasa u otras sustancias que se acumulen sobre, dentro o alrededor del Producto; y (6) cualquier fuerza y factor externo, elemental y/o ambiental, incluidos, entre otros, lluvia, viento, arena, inundaciones, incendios, aludes de lodo, temperaturas bajas extremas, humedad excesiva o exposición prolongada a la humedad, rayos, sobrecargas eléctricas, fallas estructurales alrededor del electrodoméstico y caso fortuito. En ningún caso, Bosch tendrá responsabilidad ni obligación alguna por los daños ocasionados a los bienes circundantes, incluidos los gabinetes, pisos, techos y demás estructuras u objetos que se encuentren alrededor del producto. También se excluyen de esta garantía las rayas, hendiduras, abolladuras menores y daños estéticos en superficies externas y piezas expuestas; productos en los cuales los números de serie hayan sido alterados, modificados o eliminados; visitas del servicio técnico para enseñarle a usar el Producto o visitas en las que se determine que no hay ningún problema con el Producto; corrección de los problemas de instalación (usted es el único responsable de cualquier estructura y soporte del Producto, incluidas las instalaciones de electricidad y plomería o demás instalaciones de conexión, de la correcta instalación en bases/pisos y de cualquier alteración, incluidos, entre otros, gabinetes, paredes, pisos, repisas, etc.); y el restablecimiento de disyuntores o fusibles. EN LA MEDIDA PERMITIDA POR LA LEY, ESTA GARANTÍA ESTABLECE SUS RECURSOS EXCLUSIVOS CON RESPECTO AL PRODUCTO, INDEPENDIENTEMENTE DE QUE LA RECLAMACIÓN SEA CONTRACTUAL O EXTRA CONTRACTUAL (INCLUIDA LA RESPONSABILIDAD OBJETIVA O LA NEGLIGENCIA), O DE CUALQUIER OTRO MODO. ESTA GARANTÍA REEMPLAZA TODAS LAS DEMÁS GARANTÍAS EXPRESAS O IMPLÍCITAS. LAS GARANTÍAS IMPLÍCITAS POR LEY, YA SEA DE COMERCIABILIDAD O APTITUD PARA UN FIN ESPECÍFICO, O DE CUALQUIER OTRO TIPO, TENDRÁN VIGENCIA ÚNICAMENTE POR EL PERÍODO DE VIGENCIA DE LA PRESENTE GARANTÍA LIMITADA EXPRESA. EN NINGÚN CASO, EL FABRICANTE SERÁ RESPONSABLE POR LOS DAÑOS CONSECUENTES, ESPECIALES, INCIDENTALES, INDIRECTOS, POR “PÉRDIDAS COMERCIALES” Y/O DAÑOS PUNITIVOS, PÉRDIDAS O GASTOS, INCLUIDOS, ENTRE OTROS, TIEMPO FUERA DEL TRABAJO, HOTELES Y/O COMIDAS EN RESTAURANTES, GASTOS DE REMODELACIÓN QUE SUPEREN LOS DAÑOS DIRECTOS, QUE DEFINITIVAMENTE HAYAN SIDO CAUSADOS DE MANERA EXCLUSIVA POR BOSCH O DE OTRO MODO. ALGUNOS ESTADOS NO PERMITEN LA EXCLUSIÓN O LIMITACIÓN DE DAÑOS INCIDENTALES O CONSECUENTES, Y ALGUNOS ESTADOS NO PERMITEN LIMITACIONES CON RESPECTO AL PLAZO DE VIGENCIA DE UNA GARANTÍA IMPLÍCITA; POR LO TANTO, ES POSIBLE QUE LAS LIMITACIONES PRECEDENTES NO SE APLIQUEN. ESTA GARANTÍA LE OTORGA DERECHOS LEGALES ESPECÍFICOS, Y TAMBIÉN PUEDEN CORRESPONDERLE OTROS DERECHOS QUE PUEDEN VARIAR SEGÚN EL ESTADO. Ningún intento de alterar, modificar o enmendar la presente garantía entrará en vigencia, a menos que fuera autorizado por escrito por un ejecutivo de BSH.

**Cómo obtener el servicio técnico de la garantía:** Para obtener el servicio técnico de la garantía de su Producto, debe comunicarse con el centro de servicio autorizado de Bosch más cercano.

**BSH Home Appliances Corporation** – 5551 McFadden Avenue, Huntington Beach, CA 92649 / 800-944-2904