

30" Dual Fuel Slide-in Range 700 Series - Stainless Steel HDI7282U



Features and Benefits

Key Features

- Genuine European Convection™ with Advanced Circulation System (ACS)
- Metal Colored Knobs
- PowerSim® – Quick Heating with Large Flame or Gentle Simmering with a Diffuser Cap
- OptiSim® – Simmer Delicate Sauces without Scorching
- Integrated Warming Drawer

Design

- ClearTouch™ Electronic Oven Controls
- Stainless steel cooktop control panel
- Low Profile Grates
- Metal Colored Knobs

Performance

- Genuine European Convection™ with Advanced Circulation System (ACS)
- PowerSim® – Quick Heating with Large Flame or Gentle Simmering with a Diffuser Cap
- OptiSim® – Simmer Delicate Sauces without Scorching
- 16,000 BTU, 12,500 BTU, 12,500 BTU, 5,500 BTU burners
- Convection Assisted Self Cleaning Oven

Convenience

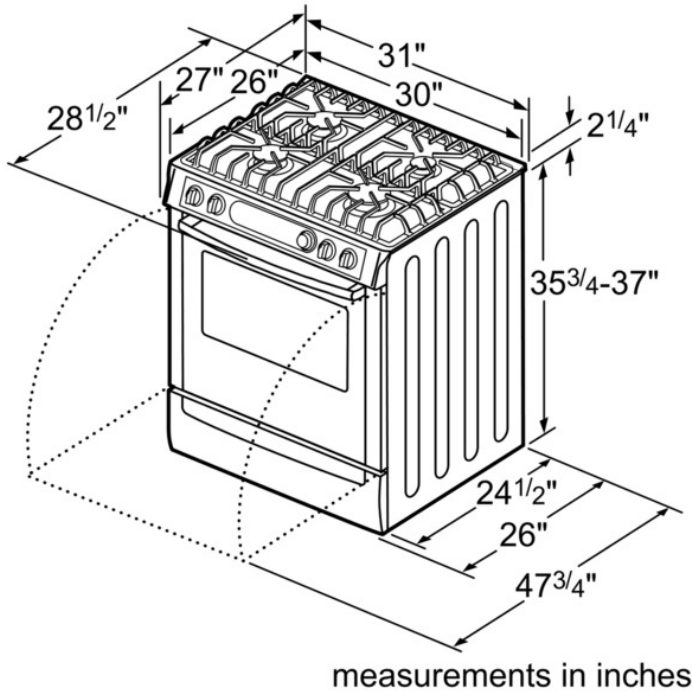
- Full Extension Rack
- Touch & Turn® Electronic Oven Control with 8 Cooking Modes
- Temperature probe with automatic switch-off
- Continuous Grates - Effortlessly Move Pots and Pans. Easy to Clean

Notes: All height, width and depth dimensions are shown in inches. *Please refer to installation instructions prior to making cutout. BSH reserves the absolute and unrestricted right to change product materials and specifications, at any time, without notice. Consult the product's installation instructions for final dimensional data and other details. Applicable product warranty can be found in a accompanying product literature or you may contact your account manager for further details.

For more information on our entire line of products, go to boschappliances.com or call 1-800-944-2904.
Copyright ©2013 BSH Home Appliances Corporation. All rights reserved. Bosch is a registered trademark of Robert Bosch GmbH.

Litho Date: 04/2013

30" Dual Fuel Slide-in Range
700 Series - Stainless Steel
HDI7282U



Features

Total number of cooktop burners	4
Cooking method first cavity	Bake, Broil, Convection Bake, Convection Broil, Convection Roast, Dehydrate, Proof, Sabbath function, Self-Clean, Warm, Warming drawer
Cleaning system - cavity 1	, Self Clean
Oven Control	electronical
Knob Material	Plastic with steel cap
Included accessories	3 x Oven racks /upper, 1 x Temperature probe /upper
Sealed Burners	Yes
Number of Double grates	
Bake Element Wattages cavity 1 (W)	2000
Broil Element Wattages cavity 1 (W)	
Convection Element Wattages cavity 1 (W)	1100
Number of gas burners	4
Location of 1st heating element	front left
Power of 1st burner (BTU)	12500
Location of 2nd heating element	back left
Power of 2nd burner (BTU)	12500
Location of 3rd heating element	
Power of 3rd burner (BTU)	
Location of 4th heating element	back right
Power of 4th burner (BTU)	5500
Location of 5th heating element	front right
Power of 5th burner (BTU)	16000
Location of 6th heating element	
Power of 6th burner (BTU)	
Power of griddle element	
Display	green, red
Safety device	Thermostat

Technical Specification

UPC code	825225844426
Product color	Stainless steel
Gas type	Natural gas 15 mbar (USA)
Alternative gas type	Liquid gas 27,5 mbar (USA)
Total BTU load	46500
Watts (W)	5200

Notes: All height, width and depth dimensions are shown in inches. *Please refer to installation instructions prior to making cutout. BSH reserves the absolute and unrestricted right to change product materials and specifications, at any time, without notice. Consult the product's installation instructions for final dimensional data and other details. Applicable product warranty can be found in a accompanying product literature or you may contact your account manager for further details.

For more information on our entire line of products, go to boschappliances.com or call 1-800-944-2904.
Copyright ©2013 BSH Home Appliances Corporation. All rights reserved. Bosch is a registered trademark of Robert Bosch GmbH.

Litho Date: 04/2013