

30" Dual Fuel Freestanding Range 700 Series - Stainless Steel HDS7052U



Features and Benefits

Key Features

- Genuine European Convection™ with Advanced Circulation System (ACS)
- PowerSim® – Quick Heating with Large Flame or Gentle Simmering with a Diffuser Cap
- OptiSim® – Simmer Delicate Sauces without Scorching
- Integrated Warming Drawer

Design

- ClearTouch™ Electronic Oven Controls
- Stainless steel cooktop
- Low Profile Grates

Performance

- Genuine European Convection™ with Advanced Circulation System (ACS)
- PowerSim® – Quick Heating with Large Flame or Gentle Simmering with a Diffuser Cap
- OptiSim® – Simmer Delicate Sauces without Scorching
- 16000 BTU, 12500 BTU, 9100 BTU, 5500 BTU burners
- Convection Assisted Self Cleaning Oven

Convenience

- Touch & Turn® Electronic Oven Control with 8 Cooking Modes
- Continuous Grates - Effortlessly Move Pots and Pans. Easy to Clean
- Sealed Burners Prevent Spills From Entering the Burner Box
- Self Clean Cycle Saves Time. Quickly and Easily Cleans your Oven.
- Integrated Warming Drawer
- True Hidden Bake Element

Capacity

- 4.6 cu.ft. Oven Capacity

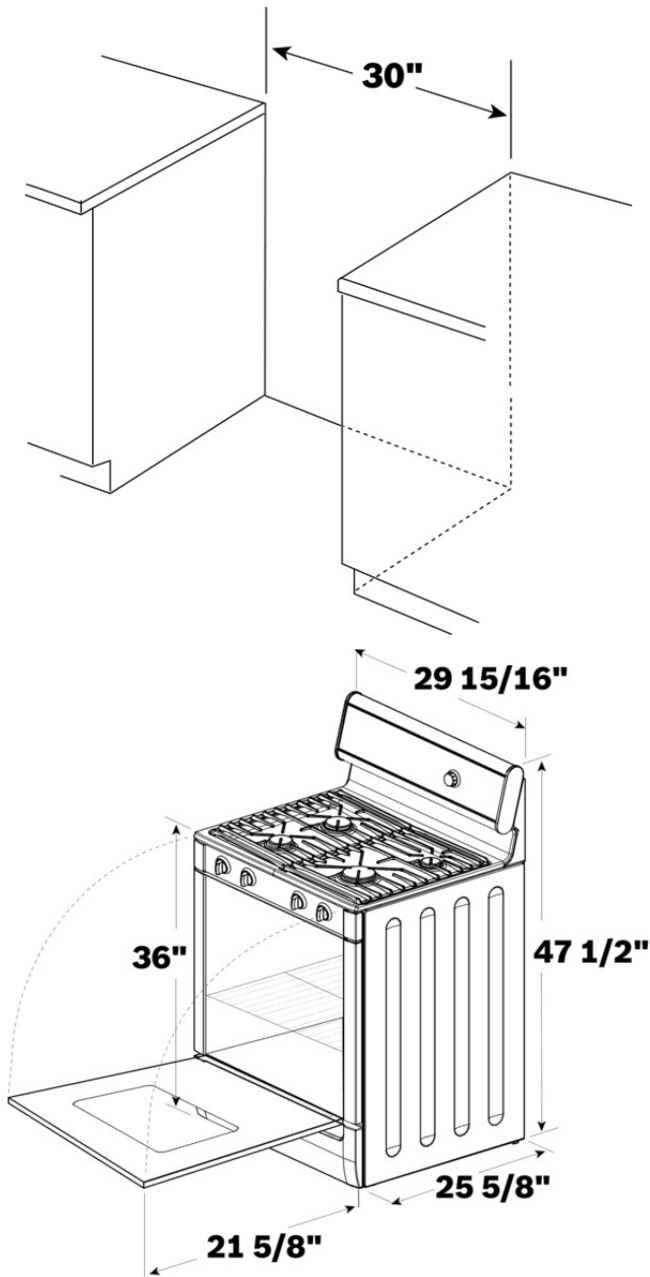
Notes: All height, width and depth dimensions are shown in inches. *Please refer to installation instructions prior to making cutout. BSH reserves the absolute and unrestricted right to change product materials and specifications, at any time, without notice. Consult the product's installation instructions for final dimensional data and other details. Applicable product warranty can be found in a accompanying product literature or you may contact your account manager for further details.

For more information on our entire line of products, go to boschappliances.com or call 1-800-944-2904.

Copyright ©2014 BSH Home Appliances Corporation. All rights reserved. Bosch is a registered trademark of Robert Bosch GmbH.

Litho Date: 03/2014

30" Dual Fuel Freestanding Range 700 Series - Stainless Steel HDS7052U



Features

Total number of cooktop burners	4
Cooking method primary cavity	Convection Bake, Convection Roast, Dehydrate, Dough proving, Half width variable grill, Sabbath function, Selfcleaning pyrolytic, Top/bottom heat, Warming, Warming drawer
Cleaning system - primary cavity	, Self Clean
Oven Control	electronical
Knob Material	Plastic with steel ring
Included accessories	3 x Oven racks /upper
Sealed Burners	Yes
Number of Double grates	2
Bake Element Wattages primary cavity (W)	2000
Broil Element Wattages primary cavity (W)	3600
Convection Element Wattages primary cavity (W)	1100
Number of gas burners	4
Location of 1st heating element	front left
Power of 1st burner (BTU)	9100
Location of 2nd heating element	back left
Power of 2nd burner (BTU)	12500
Location of 3rd heating element	
Power of 3rd burner (BTU)	
Location of 4th heating element	back right
Power of 4th burner (BTU)	5500
Location of 5th heating element	front right
Power of 5th burner (BTU)	16000
Location of 6th heating element	
Power of 6th burner (BTU)	
Power of griddle element	
Display	green, red
Safety device	Thermostat

Technical Specification

UPC code	825225842644
Product color	Stainless steel
Gas type	Natural gas 15 mbar (USA)
Alternative gas type	Liquid gas 27,5 mbar (USA)
Total BTU load	43100
Watts (W)	7200
Current (A)	30; 25
Volts (V)	240/208

Notes: All height, width and depth dimensions are shown in inches. *Please refer to installation instructions prior to making cutout. BSH reserves the absolute and unrestricted right to change product materials and specifications, at any time, without notice. Consult the product's installation instructions for final dimensional data and other details. Applicable product warranty can be found in a accompanying product literature or you may contact your account manager for further details.

For more information on our entire line of products, go to boschappliances.com or call 1-800-944-2904.

Copyright ©2014 BSH Home Appliances Corporation. All rights reserved. Bosch is a registered trademark of Robert Bosch GmbH.

Litho Date: 03/2014