

30" Electric Slide-in Range

Benchmark® Series – Stainless Steel HEIP054C



HEIP054C
Stainless Steel

The newly designed full-depth electric slide-in range fits into any freestanding range cutout, and offers a versatile tri-ring element

Features & Benefits

Genuine European Convection for even baking results on multiple racks.

Cook with a 6", 9" or 12" element.

Dampened hinges softly and quietly guide the QuietClose® door shut.

At 4.6 cu. ft., a large oven capacity accommodates most pots and pans.

A full-extension telescopic rack offers safe access to the oven cavity.



General Properties

Cooking modes	Bake, Variable Broil (hi & low), Roast, Warm, Proof Dough, Convection Bake, Convection Broil, Convection Roast, Multi-Rack Genuine European Convection, Convection Conversion, Pizza, Temperature Probe, Fast Preheat, Sabbath
---------------	--

Cleaning type	Self clean
Knob material	Metal
Drawer type	Warming drawer

Oven Performance

Bake / broil element watts (W)	2,400 / 3,800 W
Convection element watts (W)	2,000 W

Element Performance

Total number of cooktop elements	5
Power of front left element watts (W)	1,050 / 1,950 / 3,000 W
Power of back left element watts (W)	1,200 W
Power of center element watts (W)	100 W
Power of back right element watts (W)	1,200 W
Power of front right element watts (W)	1,100 / 3,200 W

Element Size

Dimension of front left heating element	6" / 9" / 12"
Dimension of back left heating element	6"
Dimension of center heating element	6"
Dimension of back right heating element	6"
Dimension of front right heating element	9.5"

Technical Details

Watts (W)	11,300 / 14,800 W
Circuit breaker (A)	40 A
Volts (V); Frequency (Hz)	208 V / 240 V; 60 Hz
Plug type	N/A
Cord length (in.)	N/A
Energy source	Electric

Dimensions & Weight

Overall appliance dimensions (HxWxD)(in.)	35 1/2" x 31 1/2" x 28 7/8"
Required cutout size (HxWxD) (in.)	35 1/2" x 30" x 25"
Adjustable range height (in.)	1 1/2"
Overall oven interior dimensions (HxWxD)(in.)	17 13/16" x 24 1/8" x 18"
Usable oven interior dimensions (HxWxD)(in.)	12 5/16" x 23 1/4" x 15 1/4"
Net weight (lbs)	248 lbs

Accessories—Included

Use and care manual, installation guide, temperature probe, standard racks, telescopic rack

Accessories—Optional



HEZTR301
30" Telescopic rack



HEZBS301
4" Low backguard



HEZ390210
8" AutoChef® pan for 6" element



HEZ390220
9" AutoChef® pan for 7" element



HEZ390230
10" AutoChef® pan for 8" and 9" elements

For help and assistance with Bosch accessories please call 1-800-944-2904 Mon-Fri 8am to 6pm EST

Notes: All height, width and depth dimensions are shown in inches. BSH reserves the absolute and unrestricted right to change product materials and specifications, at any time, without notice. Consult the product's installation instructions for final dimensional data and other details prior to making cutout. Applicable product warranty can be found in accompanying product literature or you may contact your account manager for further details.

Warranties: Bosch warrants that the Product is free from defects in materials and workmanship for a period of three hundred and sixty-five (365) days from the date of purchase. The foregoing timeline begins to run upon the date of purchase, and shall not be stalled, tolled, extended, or suspended, for any reason whatsoever. This Product is also warranted to be free from cosmetic defects in material and workmanship (such as scratches of stainless steel, paint/porcelain blemishes, chip, dents, or other damage) to the finish of the Product, for a period of thirty (30) days from the date of purchase or closing date for new construction. This cosmetic warranty excludes slight color variations due to inherent differences in painted and porcelain parts, as well as differences caused by kitchen lighting, product location, or other similar factors. This cosmetic warranty specifically excludes any display, floor, "As Is", or "B" stock appliances.

For more information on our entire line of products, go to www.bosch-home.ca or call 1-800-944-2904

© BSH Home Appliances Limited. All rights reserved. Bosch is a registered trademark of Robert Bosch GmbH.

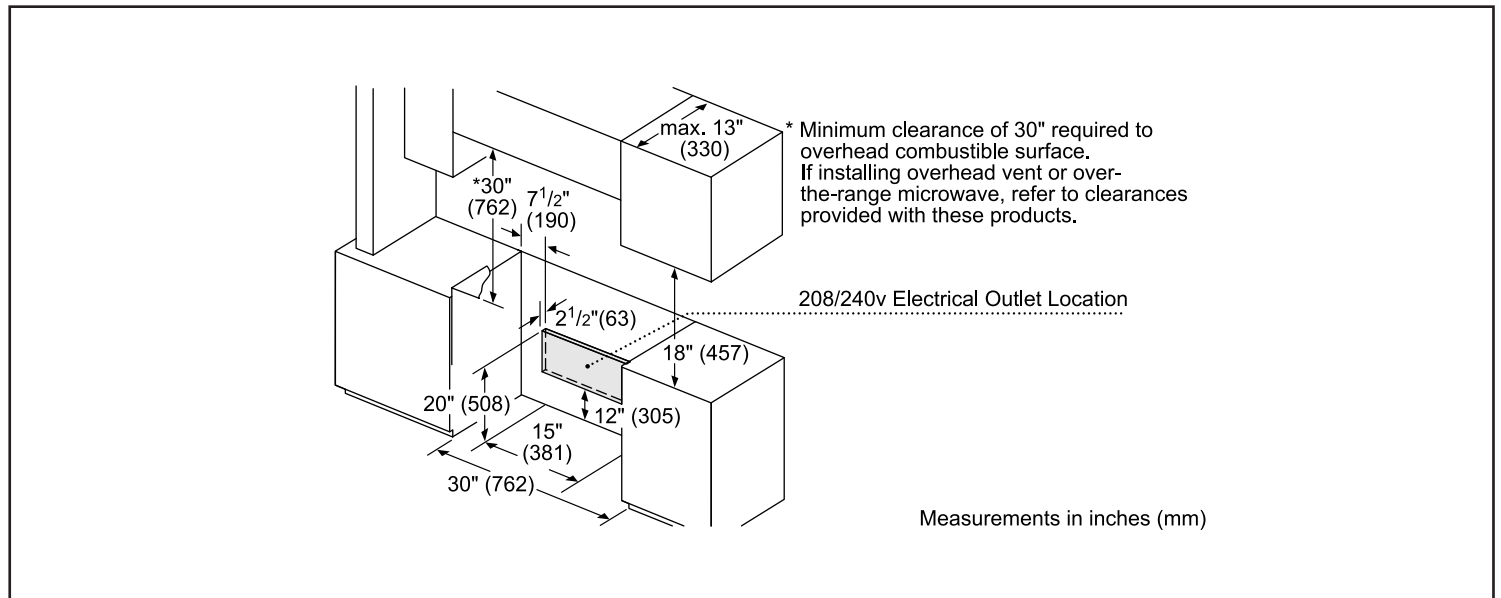
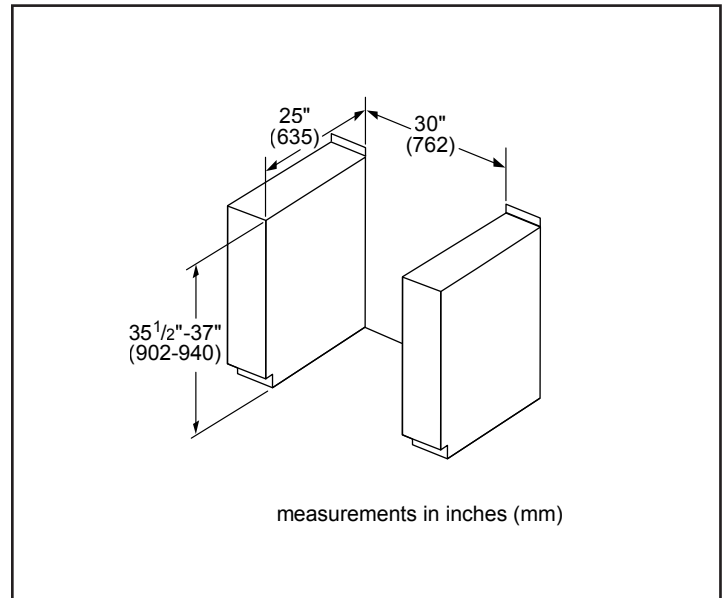
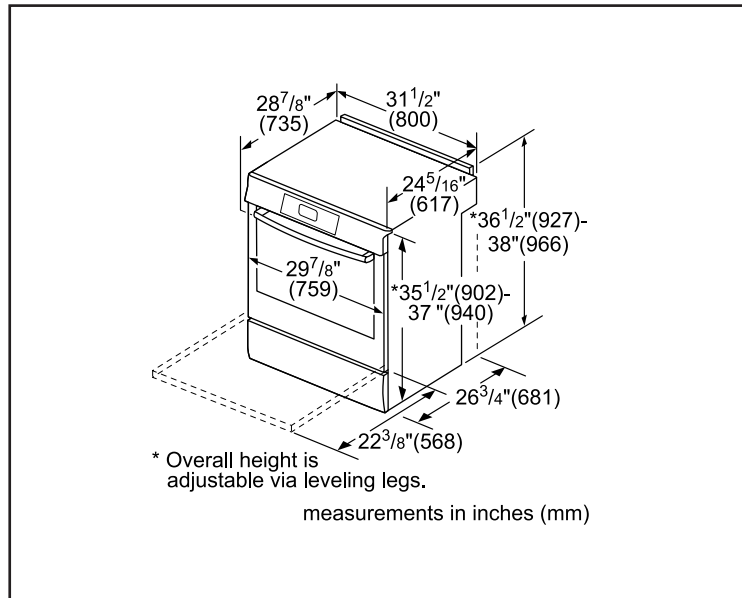
09/15

30" Electric Slide-in Range

Benchmark® Series – Stainless Steel HEIP054C



Installation Details



For help and assistance with Bosch accessories please call 1-800-944-2904 Mon-Fri 8am to 6pm EST

Notes: All height, width and depth dimensions are shown in inches. BSH reserves the absolute and unrestricted right to change product materials and specifications, at any time, without notice. Consult the product's installation instructions for final dimensional data and other details prior to making cutout. Applicable product warranty can be found in accompanying product literature or you may contact your account manager for further details.

Warranties: Bosch warrants that the Product is free from defects in materials and workmanship for a period of three hundred and sixty-five (365) days from the date of purchase. The foregoing timeline begins to run upon the date of purchase, and shall not be stalled, tolled, extended, or suspended, for any reason whatsoever. This Product is also warranted to be free from cosmetic defects in material and workmanship (such as scratches of stainless steel, paint/porcelain blemishes, chip, dents, or other damage) to the finish of the Product, for a period of thirty (30) days from the date of purchase or closing date for new construction. This cosmetic warranty excludes slight color variations due to inherent differences in painted and porcelain parts, as well as differences caused by kitchen lighting, product location, or other similar factors. This cosmetic warranty specifically excludes any display, floor, "As Is", or "B" stock appliances.

For more information on our entire line of products, go to www.bosch-home.ca or call 1-800-944-2904

© BSH Home Appliances Limited. All rights reserved. Bosch is a registered trademark of Robert Bosch GmbH.

09/15