

Dual Fuel and Gas Ranges

Installation Instructions

Slide-In Ranges

HDI8054C, HDI8054U, HDIP054C, HDIP054U,
HGI8054UC, HGIP054UC



BOSCH

Invented for life



Table of Contents

Safety Definitions	1	Electrical Outlet and Gas Connection Location	7
PLEASE READ ALL INSTRUCTIONS BEFORE USING THIS APPLIANCE	2	Cabinet Requirements	7
Gas Safety	2	Install Ventilation	7
Propane Gas Installation	2	Required Clearance	8
Appliance Handling Safety	3	Avoid obstructing air flow	9
Unpacking the Range	3	Prepare Walls and Floor	9
Disposing of Packaging Materials	3	Countertop Requirements	9
Safety Codes and Standards	3	Removing Packaging	9
Installation Location	3	Installation Procedure	9
Child Safety	3	Installation of the anti-tip bracket	9
Electric Safety	3	Electrical Connection	10
Related Equipment Safety	4	Dual Fuel Ranges - Connect Electric Range Cord	10
Conversion to Liquefied Petroleum Gas ..	4	Connect Electric Flexible Conduit	12
High Altitude Installation	4	Complete the installation	15
Preparation	5	Removing/Replacing the Oven Door and Warming Drawer	17
Before You Begin	5	Removing the Oven Door	17
Tools and Parts Needed	5	Replacing the Oven Door	18
Parts Included	5	Removing the Warming Drawer	18
Additional Parts Needed for Hard-Wired Installations	5	Replacing the Warming Drawer	18
Remove Packaging	5	Testing Operation	19
Installation Checklist	5	Service	20
General Information	6	Before Calling Service	20
Overall Dimensions	6		
Location Level and Plumb	6		
Installation Hints	6		
Electrical Requirements	6		
Gas Models	6		
Dual Fuel Models	6		

This Bosch Appliance is made by
BSH Home Appliances Corporation
1901 Main Street, Suite 600
Irvine, CA 92614

Questions?

1-800-944-2904

www.bosch-home.com/us

We look forward to hearing from you!

IMPORTANT SAFETY INSTRUCTIONS

READ AND SAVE THESE INSTRUCTIONS

Safety Definitions

WARNING

This indicates that death or serious injuries may occur as a result of non-observance of this warning.

CAUTION

This indicates that minor or moderate injuries may occur as a result of non-observance of this warning.

NOTICE: This indicates that damage to the appliance or property may occur as a result of non-compliance with this advisory.

Note: This alerts you to important information and/or tips.

WARNING:

If the information in this manual is not followed exactly, a fire or explosion may result causing property damage, personal injury or death.

-- **Do not store or use combustible materials, gasoline or other flammable vapors and liquids in the vicinity of this or any other appliance.**

-- **WHAT TO DO IF YOU SMELL GAS**

- **Do not try to light any appliance.**
- **Do not touch any electrical switch.**
- **Do not use any phone in your building.**
- **Immediately call your gas supplier from a neighbor's phone. Follow the gas supplier's instructions.**
- **If you cannot reach your gas supplier, call the fire department.**

-- **Installation and service must be performed by a qualified installer, authorized service agency or the gas supplier.**

IMPORTANT SAFETY INSTRUCTIONS

READ AND SAVE THESE INSTRUCTIONS

IMPORTANT: SAVE THESE INSTRUCTIONS FOR THE LOCAL INSPECTOR'S USE.

INSTALLER: LEAVE THESE INSTRUCTIONS WITH THE APPLIANCE AFTER INSTALLATION IS COMPLETE.

OWNER: PLEASE RETAIN THESE INSTRUCTIONS FOR FUTURE REFERENCE.

WARNING

If the information in this manual is not followed exactly, fire or shock may result causing property damage or personal injury.

PLEASE READ ALL INSTRUCTIONS BEFORE USING THIS APPLIANCE

- For Massachusetts installations:
 - Installation must be performed by a qualified or licensed contractor, plumber or gas fitter qualified or licensed by the state, province or region where this appliance is being installed.
 - Shut-off valve must be a "T" handle gas cock.
 - Flexible gas connector must not be longer than 36 inches.
- Installer - show the owner where the gas shut-off valve is located.

Gas Safety

Leak testing must be conducted by the installer according to the instructions in this manual.

The appliance and its individual shutoff valve must be disconnected from the gas supply piping system during any pressure testing of the gas supply piping system at test pressures in excess of ½ psi (3.5 kPa).

Propane Gas Installation

- The propane gas tank must be equipped with its own high pressure regulator. In addition, the regulator supplied with this unit must also be used.

The appliance is shipped from the factory for use with natural gas. It must be converted for use with propane. A qualified technician or installer must do the conversion.

WARNING

TIP OVER HAZARD!

A child or adult can tip the range over and be killed. Verify that the anti-tip bracket is securely installed. Ensure the anti-tip bracket is engaged whenever the range is moved to a new location.



Do not operate the range without the anti-tip bracket in place. Failure to follow the instructions in this manual can result in death or serious burns to children and adults.

Check for proper installation and use of the anti-tip bracket. Carefully tip the range forward pulling from the back to ensure that the anti-tip bracket engages the range leg and prevents tip-over. Range should not move more than 1" (25 mm).

WARNING

Do not repair or replace any part of the appliance unless specifically recommended in the manuals. Improper installation, service or maintenance can cause injury or property damage. Refer to this manual for guidance. All other servicing should be done by a qualified technician.

- **Ask your dealer to recommend a qualified technician and an authorized repair service.**
 - **Install only per the procedures in this Installation Manual.**
 - **Never modify or alter the construction of the range including by removing leveling legs, panels, wire covers, anti-tip brackets, or screws, or any other part of the appliance.**
-

IMPORTANT SAFETY INSTRUCTIONS

READ AND SAVE THESE INSTRUCTIONS

Appliance Handling Safety

CAUTION

- Unit is heavy and requires at least two persons or proper equipment to move.
- Hidden surfaces may have sharp edges. Use caution when reaching behind or under appliance.
- Do not use the oven or warming drawer (if equipped) for storage.

Do not lift appliance by the oven door handle. Remove the oven door for easier handling and installation. See the section “*Removing/Replacing the Oven Door and Warming Drawer*” on page 17.

CAUTION

Wear gloves to avoid cutting fingers on sharp edges during installation.

Disposing of Packaging Materials

Properly dispose of the carton, straps, and plastic bags after unpacking the range. Never allow children to play with packaging materials.

Safety Codes and Standards

This appliance complies with one or more of the following Standards:

- UL 858, Household Electric Ranges
- CAN/CSA-C22.2 No. 61 Household Cooking Ranges
- ANSI Z21.1b-2012 Household Cooking Gas Appliances

It is the responsibility of the owner and the installer to determine if additional requirements, such as local codes and/or standards, apply to specific installations. In the absence of local codes, the installation must conform with the National Fuel Code, ANSI Z223.1/NFPA54.

Installation Location

To eliminate the risk of burns or fire by reaching over heated surface units, cabinet storage space located above the surface units should be avoided. If cabinet storage is to be provided, the risk can be reduced by installing a hood that projects horizontally a minimum of 5" (127 mm) beyond the bottom of the cabinet.

Verify that cabinets above the cooktop are a maximum of 13" (330 mm) deep.

WARNING

NEVER cover any slots, holes or passages in the oven bottom or cover an entire rack with materials such as aluminum foil. Doing so blocks air flow through the oven and may cause carbon monoxide poisoning. Aluminum foil linings may also trap heat, causing a fire hazard.

Child Safety

Do not store items of interest to children in the cabinets above the range or on the backguard of a range. Children climbing on the range to reach items could be seriously injured.

Electric Safety

Before you plug in an electrical cord, be sure all controls are in the OFF position.

Be sure your appliance is properly installed and grounded by a qualified technician in accordance with the National Electrical Code ANSI/NFPA 70 latest edition and local electrical code requirements.

Local codes vary. Installation, electrical connections and grounding must comply with all applicable codes.

For appliances equipped with a cord and plug, do not cut or remove the ground prong. It must be plugged into a matching grounding type receptacle to avoid electrical shock. If there is any doubt as to whether the wall receptacle is properly grounded, the customer should have it checked by a qualified electrician.

If required by the National Electrical Code (or Canadian Electrical Code), this appliance must be installed on a separate branch circuit.

Only a power supply cord kit rated for this appliance and marked “for use with ranges” shall be used.

Installer - show the owner the location of the circuit breaker or fuse. Mark it for easy reference.

Before installing, turn power OFF at the service panel. Lock service panel to prevent power from being turned ON accidentally.

Refer to data plate for more information. See "Data Plate" under "Service" for data plate location.

Related Equipment Safety



IMPORTANT SAFETY INSTRUCTIONS

READ AND SAVE THESE INSTRUCTIONS

Never modify or alter the construction of the appliance. For example, do not remove leveling legs, panels, wire covers or anti-tip brackets/screws.

WARNING

State of California Proposition 65 Warnings:

This product contains chemicals known to the State of California to cause cancer, birth defects or other reproductive harm.

IMPORTANT SAFETY NOTICE: The California Safe Drinking and Toxic Enforcement Act requires the Governor of California to publish a list of substances known to the State to cause cancer, birth defects or other reproductive harm, and requires businesses to warn customers of potential exposure to such substances.

Conversion to Liquified Petroleum Gas

WARNING

Personal injury or death from electrical shock may occur if the range is not installed by a qualified installer or electrician.

Any additions, changes, or conversions required in order for this appliance to satisfactorily meet the application needs must be made by a qualified technician.

Your gas range model is designed to allow for LP conversion by a qualified service technician. Before installing the kit be sure to follow the LP Installation Instructions carefully.

High Altitude Installation

Contact customer service for use at altitudes above 2,000 feet (610 meters).

Preparation

Before You Begin

Tools and Parts Needed

- Dual Fuel models only - 40 or 50 Amp power supply cord kit with strain relief (depending on local code).
Note: Not necessary for Canadian installations, cord is preinstalled at factory.
- Measuring Tape
- Phillips Head Screwdriver
- 1¼" Wrench
- Pencil
- T-20 Torx Screwdriver
- Screws (2) and Anchors (2) for Anti-Tip Bracket (Style will vary depending on mounting surface)
- Level
- Drill and Drill Bit (3/16" masonry bit for concrete screws)
- Soapy Water
- Safety Gloves and Goggles
- Cloth or Cardboard (Optional - to Protect Floor)
- Pipe Wrench
- Gas-approved Teflon Tape
- Channel Lock Pliers
- Gas Leak Test Solution
- Gas Supply Line (½" NPT Minimum)
- Gas Shutoff Valve

Parts Included

- Anti-Tip Bracket
- 2 wood screws
- 2 anchorless concrete screws
- Terminal Lugs (For Use With Hard Wire Installations)
Note: Terminal lugs not necessary for Canadian installations.

Additional Parts Needed for Hard-Wired Installations

Dual Fuel models only

- Flexible conduit
- Torque wrench

Note: Power supply cord kit is not necessary for hard-wired installations.

Remove Packaging

- If straps are present, cut the straps.
- Cut plastic down back of unit making sure not to cut the unit.
- Remove plastic film.
- Lift cardboard around the top portion of the unit, off of the unit.
- Remove cardboard corner posts, making sure that any posts or other packaging materials running between corner posts are also removed.
- Remove all internal packaging and tape.

Installation Checklist

Please refer to the pages following for complete installation instructions. Use this checklist to verify that you have completed each step of the installation process. This can help you avoid mistakes.

- ___ 1. Before installing the range, be sure to verify the cabinet dimensions are correct for your unit and that the required electrical and gas connections are present.
- ___ 2. Refer to the installation manual for content regarding Safety, Cabinet Dimensions, Removing Packaging, Electrical Installation, Gas Connection, and Customer Service.
- ___ 3. Removing the oven door and warming drawer prior to installation reduces the unit weight and makes the range easier to move. Additionally, the removal of the oven door provides access to handholds for lifting.
- ___ 4. Move the range (2 people needed) into place in front of the installation opening, leaving the bottom packaging on the unit to avoid damaging flooring.
- ___ 5. Plug the range into a properly configured receptacle.
- ___ 6. Protect the flooring from damage, then slide the unit all the way into place, making sure to route the power cord correctly.
- ___ 7. Reinstall the oven door and warming drawer removed in step 3 above.

8. Consult the complete installation instructions and follow the remainder of the procedures listed, including performing an operation test.

General Information

Overall Dimensions

Dimension	Inches	Centimeters
Height	36½" - 38"	927 mm - 966 mm
Width	31½"	800 mm
Depth	26¾"	681 mm

Location Level and Plumb

For best results, cabinets, countertops, walls and floors in the installation location should be as level and plumb as possible. Variance may cause damage to countertops and floors during installation, and may adversely affect cooking and baking performance.

Installation Hints

To make the range lighter and easier to handle during installation, remove the range oven door (see "Removing the Oven Door" on page 17).

If the warming drawer is not removed then tape must be placed securely on the warming drawer before installation to prevent it from opening while the range is being installed.

Place a piece of cardboard or cloth under the range during installation to protect floors.

Gas Requirements

▲ WARNING

Make certain that gas shutoff valve and all burner controls are in the OFF position before beginning.

Shut off main gas supply valve before disconnecting the old range and leave it off until the new hook-up has been completed. Don't forget to re-light the pilot, if applicable, on other gas appliances when you turn the gas back on.

Electrical Requirements

Refer to data plate for more information. See the product "Data Plate" in the Service section of this manual.

Gas Models

120 volt, 15 Amp minimum, 60 Hz is required. The 120 volt power cord is factory installed on gas ranges.

Dual Fuel Models

We recommend that the range be installed with a power cord set (not supplied with U.S. models). The electrical rating of the power cord set must be 120/240 volt, 30 amperes minimum. The power cord set must be marked "For Use with Ranges." Always use a new power cord.

Verify that wiring to the house is adequate. Contact your local utility company to verify that the present electrical service to your home is adequate. In some instances, the size of the wiring to the house and service switch must be increased to handle the electrical load demanded by the range.

Some wiring codes require a separate circuit with separate disconnect switch and fuses either in the main entrance panel or in a separate switch and fuse box.

The range requires a minimum of a three-wire 120/240 or 120/208 volt, 25 or 30 amp, 60 Hz AC circuit. Check local codes for proper amperage ratings. A four-wire connection is preferred. Most local building regulations and codes require that electrical wiring be done by licensed electricians. Be sure to install your range according to the electrical codes in your region.

Electrical kW Rating

Ranges are dual rated for use on either 120/240 VAC or 120/208 VAC. Check the data plate for the kW rating. Reference the kW rating in the table below to determine amperage requirements.

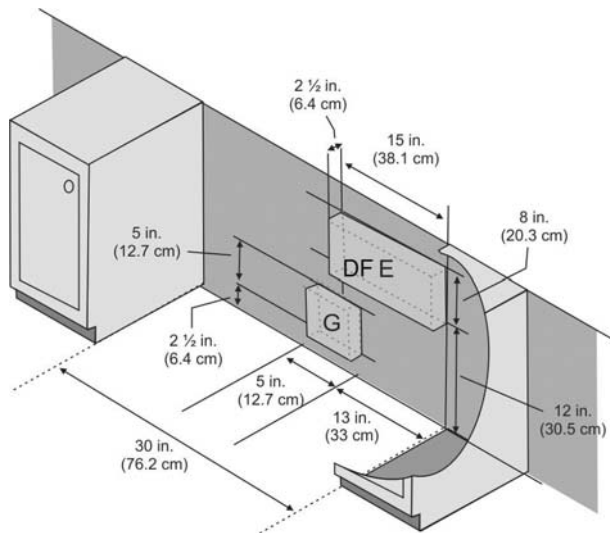
VOLTS A/C	HZ	RATING KW	CIRCUIT BREAKER
120/240	60	6.4	30 amps*
120/208	60	4.8	25 amps*

* Varies by location. Check local codes.

Electrical Outlet and Gas Connection Location

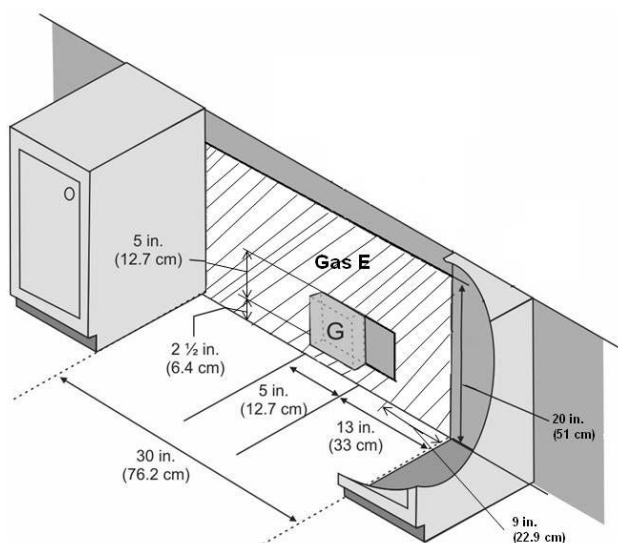
Dual Fuel models: A flush mount 208/240 VAC dedicated circuit outlet is required. Use the diagram below to make sure your installation is properly prepared for the range. Note the available space for the electrical outlet is shown in the gray box (DF E) in the illustration following.

The gas connection is accessed by removing the warming drawer. The available space for the gas connection is shown in the gray box (G) in the illustration following.



Gas Models: The power cord and outlet are 120 VAC. Use the diagram below to make sure your installation area is properly prepared for the range. Note the available space for the electrical outlet (flush mount) is shown in the gray striped box (Gas E) in the illustration following.

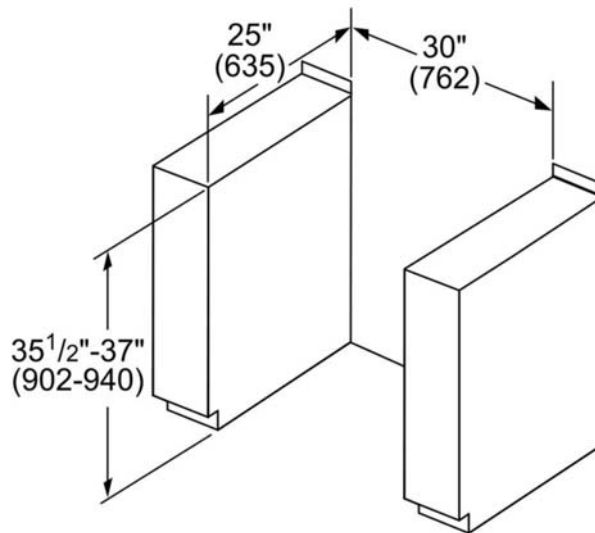
The gas connection is accessed by removing the warming drawer. The available space for the gas connection is shown in box G in the following illustration.



Cabinet Requirements

This unit is designed for installation near adjacent walls and projecting surfaces constructed of combustible materials. Prepare the countertop and cabinets.

Allow a minimum of 30" (762 mm) between cabinets where range is to be installed. No side clearance is required. Height is set by adjusting the range legs (see later section, "Complete the installation" on page 15").



Note: The slide-in range can also replace a freestanding range. In this case, verify that the opening is at least 30" (762 mm).

Install Ventilation

Bosch strongly recommends the installation of a ventilation hood above this range. For most kitchens, a certified hood rating of not less than 300 CFM is recommended. The range hood must be installed according to instructions furnished with the hood.

Required Clearance

These instructions were determined using standard American cabinets. Standard base cabinets measure 36" (914 mm) high x 25" (635 mm) deep. Cabinets over the cooking surface and cabinets adjacent to those over the cooking surface measure 13" (330 mm) deep from backwall. If nonstandard cabinets are used, care should be taken to alter dimensions accordingly.

⚠ WARNING

To eliminate the risk of burns or fire by reaching over heated surface units, cabinet storage space located above the surface units should be avoided. If cabinet storage is to be provided, the risk can be reduced by installing a hood that projects horizontally a minimum of 5" (127 mm) beyond the bottom of the cabinet.

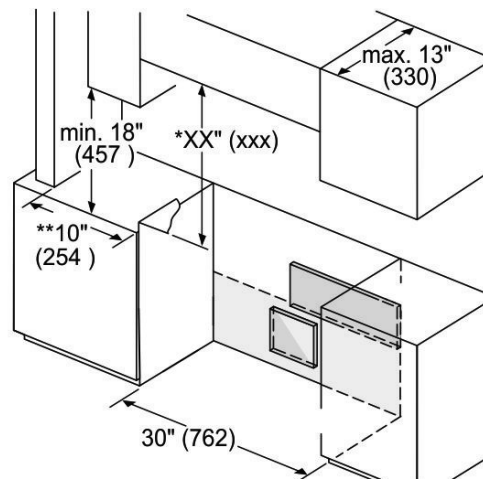
From cooktop to materials above:

- Minimum clearance of 36" (914 mm) for gas SIR, 30" (762 mm) for Dual Fuel SIR, is required to an overhead combustible surface.
- Bosch recommends the minimum clearances shown in the installation diagrams contained in this manual. Clearances from non-combustible materials are not part of ANSI Z21.1 scope and are not certified by CSA. Clearances less than shown in the installation diagrams must be approved by local codes and/or by the local authority having jurisdiction.

From the cooking surface to side materials:

No clearance is required from unit walls to adjacent vertical combustible walls on rear, right, or left.

Note: Some cabinet finishes cannot survive the temperatures allowed by safety standards, particularly self-cleaning ovens; the cabinets may discolor or stain. This is most noticeable with laminate cabinets.



measurements in inches (mm)

* XX Minimum clearance of 36" (914 mm) for gas SIR, 30" (762 mm) for dual fuel SIR, required to overhead combustible surface. If installing overhead vent or over-the-range microwave, refer to clearances provided with these products.

** Minimum clearance of 10" required from cutout to combustible side walls.

Flame retardant materials bear the mark:

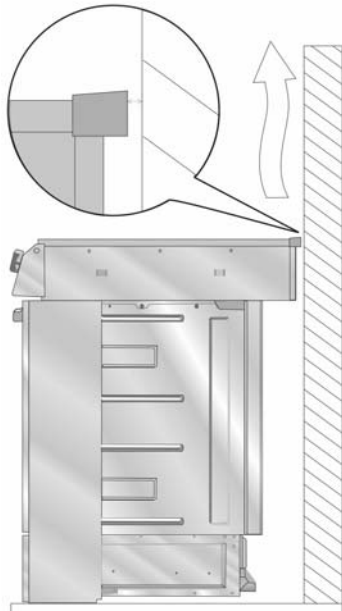
UNDERWRITERS LABORATORIES INC. CLASSIFIED MINERAL AND FIBER BOARDS SURFACE BURNING CHARACTERISTICS, followed by the flame spread and smoke ratings. These designations are shown as "FHC (Flame Spread/Smoke Developed)". Materials with "O" flame spread ratings are flame-retardant. Local codes may allow other flame spread ratings. It is the responsibility of the installer to ensure installation is in accordance with these ratings.

Avoid obstructing air flow

⚠ WARNING

Risk of fire - do not obstruct the vent space at the rear of the range top. Do not caulk or otherwise seal this opening.

Proper vent spacing for the Dual Fuel or Gas ranges is automatically achieved when the rear of the range is against the wall. If the resulting gap is obstructed, even temporarily, the range and/or the surrounding cabinetry could overheat, creating a fire hazard.



Prepare Walls and Floor

Seal any holes in the walls or floor. Remove any obstructions (extra electrical or gas connections, etc.) so that range will rest against wall properly.

Countertop Requirements

Countertops must be smooth and level.

Removing Packaging

1. If straps are present, cut the straps.
2. Cut plastic down back of unit making sure not to cut the unit.
3. Remove plastic film.
4. Lift cardboard around the top portion of the unit, off of the unit.
5. Remove cardboard corner posts, making sure that any posts or other packaging materials running between corner posts are also removed.
6. Remove all internal packaging and tape.

Installation Procedure

Installation of the anti-tip bracket

⚠ WARNING

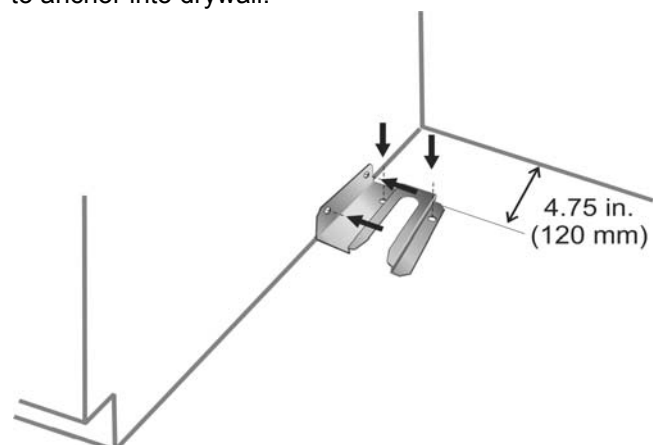
A child or adult can tip the range over and be killed. Verify that the anti-tip bracket is securely installed. Ensure the anti-tip bracket is engaged when the range is moved.



The range can tip forward, potentially causing injury and damage, if the anti-tip bracket is not properly installed. Do not operate the range without the anti-tip bracket in place.

Steps to Install the Anti-Tip Bracket

1. Adjust height of range to match countertop height and level it by rotating the adjustable leg supports on the bottom of the range, using a 1/4" wrench.
2. Position the bracket as shown below in the back left corner of the installation opening, against the back wall and the left cabinet wall. Mount the bracket using two screws into either the floor or the base of the adjacent cabinet. **Note:** The mounting surface must be secure. When mounting to the cabinet wall make sure the screws engage the frame of the cabinet, not the thin wall of the cabinet only. Do not use a block or spacer to fill a gap between the anti-tip bracket and the cabinet wall.
3. Secure the bracket with two screws to the floor or to the base of the cabinet wall. Depending on the floor or cabinet material, use wood or anchorless concrete screws (included). Concrete screws require the use of a 3/16" masonry bit. Screws should provide firm attachment into solid wood or flooring. Do not attempt to anchor into drywall.



Electrical Connection

The Dual Fuel slide in range may be connected using an electric range cord (as specified in the Electrical Requirements section preceeding) or using a flexible conduit electrical connection. The Gas slide-in range has a 120 volt power cord and plugs into a standard 120 volt wall outlet.

⚠ WARNING

Do not use an extension cord. If the power supply cord is too short, have a qualified electrician install an outlet near the appliance.

Gas Ranges

The 120 volt power cord is installed on gas ranges.

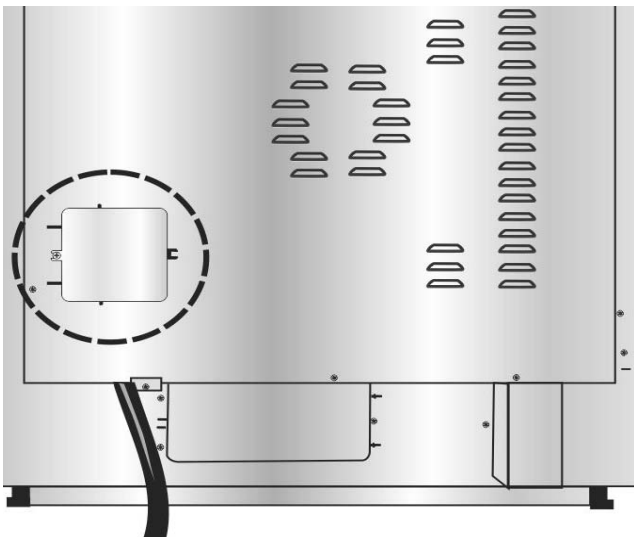
Dual Fuel Ranges - Connect Electric Range Cord

This section applies only to dual fuel ranges (does not apply to gas ranges). Dual fuel ranges have a gas cooktop and an electric oven.

Note: In Canada, the range is shipped from the factory with the range cord already installed. Continue to “*Complete the installation*” on page 15.

Note: It is recommended that only qualified persons add a power cord or make electrical connections to this appliance.

For installations other than those in Canada, connect the range cord at the terminal block. Access the terminal block by removing the cover in the lower left hand corner of the range back panel.



Install Strain Relief

Place strain relief in knockout below terminal block.

⚠ WARNING

The strain relief provided with your range cord must be properly installed. Strain reliefs vary. Carefully read and follow the instructions included with your strain relief.

1. In the knockout panel below the terminal block, remove the knockout that fits the strain relief that comes with your range cord.
2. Feed the range cord through the hole and the strain relief up to terminal block. Allow for slack in the cord between the strain relief and terminal block.
3. Once the cord length/slack has been adjusted, attach the strain relief per instructions included with strain relief.

Tip: The knockout panel (below the terminal block) can be removed from the range to install the strain relief. Remove the panel from range, install strain relief in panel and reattach. DO NOT remove entire range back panel.


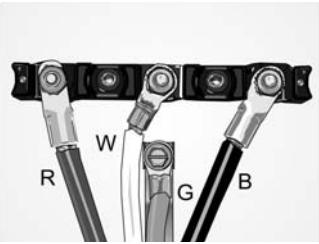
Preparation for Power Connection

⚠ WARNING

Risk of Electric Shock or Fire. Grounding through the neutral conductor is prohibited for new branch-circuit installations (1996 NEC), mobile homes, and recreational vehicles, or in an area where local codes prohibit grounding through the neutral conductor.

For installations where grounding through the neutral conductor is prohibited: (a) disconnect the link from the neutral, (b) use grounding terminal or lead to ground unit, (c) connect neutral terminal to lead branch circuit neutral in the usual manner. When the appliance is to be connected by means of a cord kit, use 4-conductor cord for this purpose.

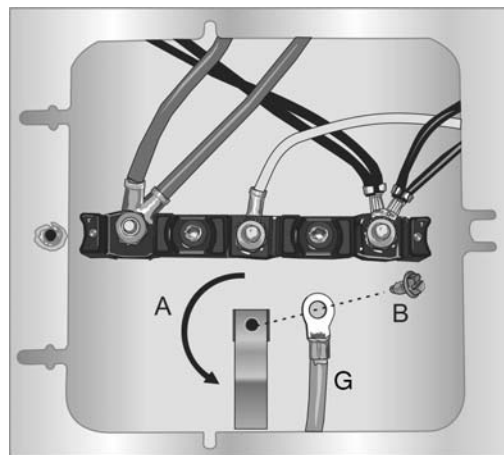
Use only cord kits rated 125/250 volts, 30 amperes (minimum), and labeled “For Use with Ranges”. Strain relief provided with the cord must be installed per instructions included with the cord.

3-Wire Hookup	4-Wire Hookup
	
R = Red W = White GS = Grounding Strip B = Black	R = Red W = White G = Green B = Black

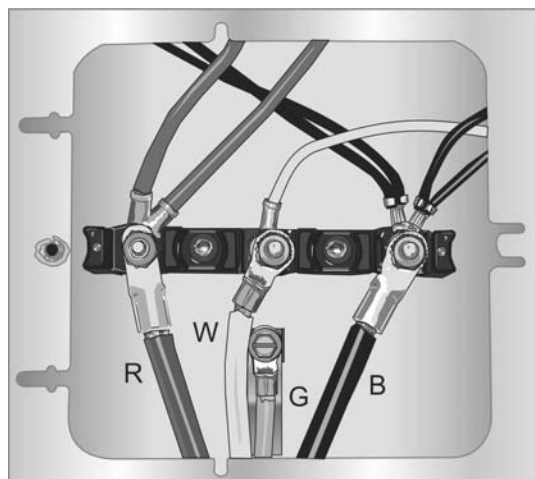
⚠ WARNING

To prevent electrical shock, the grounding prong on the range cord should not be cut or removed under any circumstances. It must be plugged into a matching grounding type receptacle and connected to a correctly polarized 240-Volt circuit. If there is any doubt as to whether the wall receptacle is properly grounded, have it checked by a qualified electrician.

bar. Rotate the grounding strip (A) so that the wide end is up and align the hole with the grounding hole below the terminal block. Use the green grounding screw (B) to attach the green wire (G) on top of grounding strap. Tighten the grounding screw firmly, but do not overtighten.

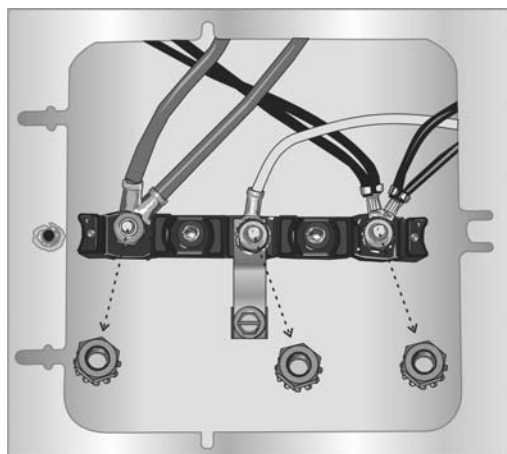


- Attach the red wire to the left junction block terminal using one of the nut/washers removed in step 2.



Four-wire Range Cord Connection (Recommended Method)

- Disconnect electrical power at breaker box. Remove the terminal block cover to expose the terminal block.
- Remove the top nut (has an attached locking washer) from each post.
Note: DO NOT remove the second nut/washer on each post; these must stay in place to anchor the internal wiring attached to the terminal block.



- Remove screw from the bottom end of the ground strap.
- Remove the green grounding screw from the lower end of the grounding strap. Remove the upper end of the grounding strap from the center post of the junction

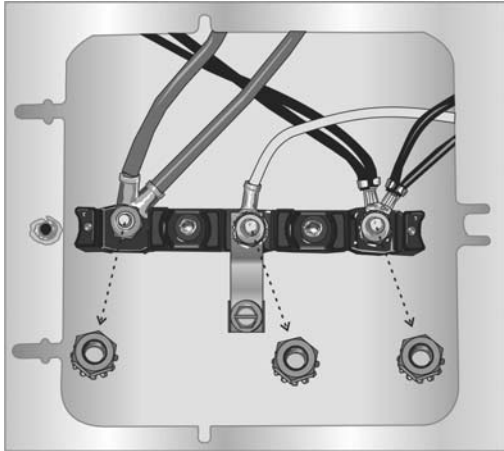
- Attach the white wire to the center junction block terminal using one of the nut/washer parts.
 - Attach the black wire to the right junction block terminal using one of the nut/washer parts.
 - Tighten all connections securely and replace terminal block cover.
 - Properly secure strain relief (see previous section).
- Note:** DO NOT plug in the range at this time.

Three-wire Range Cord Connection (Alternate Method)

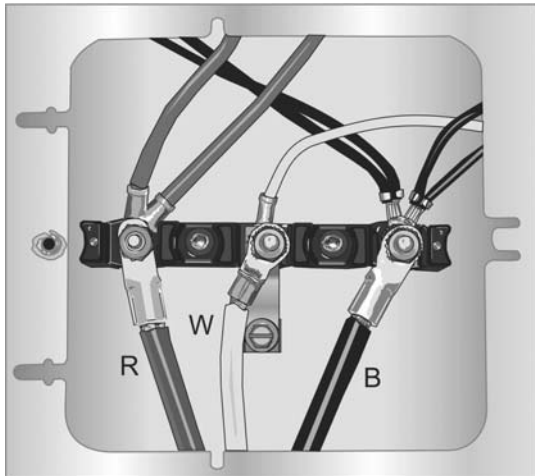
The four-wire connection (above) is preferred, but where local codes and ordinances permit grounding through the neutral and where conversion to four-wire is impractical, the unit may be connected to the power supply via a three-wire connection.

1. Disconnect electrical power at breaker box.
2. Remove the terminal block cover to expose the terminal block.
3. Remove the top nut (has an attached locking washer) from each terminal post.

Note: DO NOT remove the second nut/washer on each post. These must stay in place to anchor the internal wiring attached to the terminal block.



4. Attach the white wire to the center junction block terminal using one of the nut/washer parts.
5. Attach the red wire to the left junction block terminal using one of the nut/washer parts removed in step 2.
6. Attach the black wire to the right junction block terminal using one of the nut/washer parts.



7. Tighten all connections securely and replace terminal block cover.
8. Properly secure strain relief (see previous section).

Note: DO NOT plug in range at this time.

Connect Electric Flexible Conduit

The range can also be connected via flexible conduit. If using this method, always use the lugs supplied.

Note: In Canada, the range is shipped from the factory with the range cord already installed. Continue to “*Complete the installation*”. For installations other than those in Canada, connect the flexible conduit at the terminal block.

Terminal Lug/Wire Connection

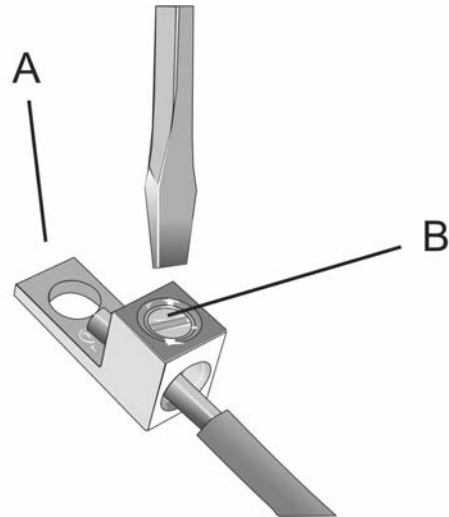
In each instance where a wire is to be attached to a terminal lug, perform the following steps:

1. Strip 3/8" (9.5 mm) of insulation from the end of the wire.



2. Insert the stripped end of the wire into the terminal lug (A) and then tighten each clamping screw (B) with the appropriate torque (see table).

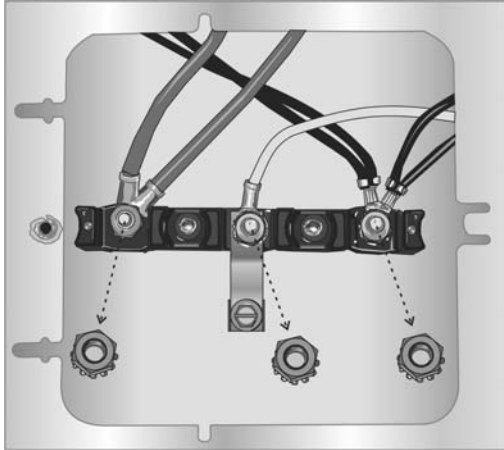
Wire Gauge	Torque (in/lbs)	Torque (Nm)
6	35	3.95
8	25	2.82



Four-wire Flexible Conduit Connection

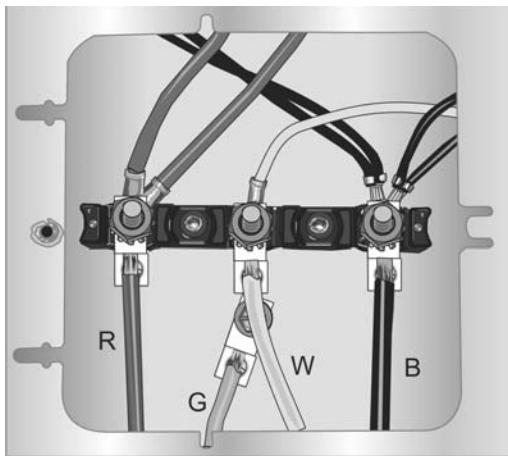
1. Disconnect electrical power at the breaker box.
2. Remove the terminal block cover to expose the terminal block.

- Remove the top nut (has an attached locking washer) from each terminal post.



Note: DO NOT remove the second nut/washer on each post. These must stay in place to anchor the internal wiring attached to the terminal block.

- Remove the green grounding screw from the lower end of the grounding strap.
- Remove the grounding strap from the center post on the terminal block. The strap will not be needed with the flexible conduit electrical installation. Remove it from the unit.



- Attach the insulated grounding wire (G) to a terminal lug (packaged with this manual) and secure the terminal lug to the grounding hole with the green grounding screw. Tighten the screw firmly, but do not overtighten.
- Attach the red wire (R) to a terminal lug and place the terminal lug onto the left post. Replace the nut/washer on the post and tighten to 20 in/lbs (2.26 nm) of torque.
- Attach the black wire (B) to a terminal lug and place the terminal lug onto the right post. Replace the nut/washer on the post and tighten to 20 in/lbs (2.26 nm) of torque.

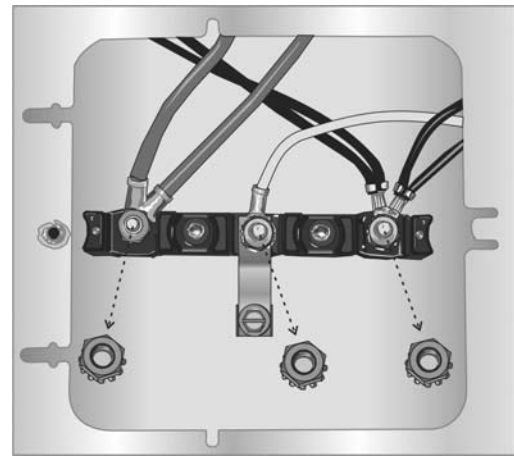
- Properly secure the flexible conduit at knockout on angle and at supply side junction box. The wiring is now complete.

Note: DO NOT connect electrical power to the range at this time.

Three-wire Flexible Conduit Connection

The four-wire connection is preferred, but where local codes and ordinances permit grounding through neutral and/or conversion to four-wire is impractical, the unit may be connected to the power supply via a three-wire connection.

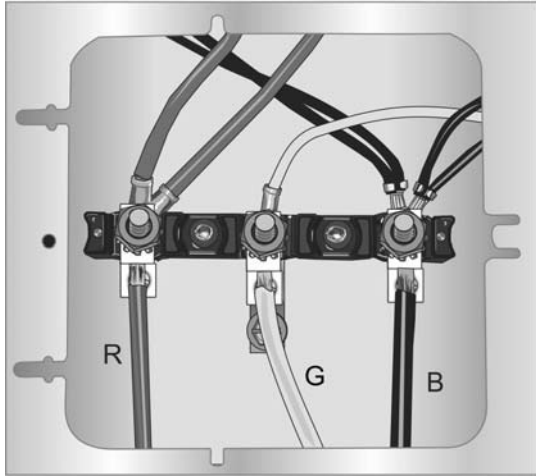
- Disconnect electrical power at the breaker box.
- Remove the terminal block cover to expose the terminal block.
- Remove the top nut, star washer, and round washer from each post.



Note: DO NOT remove last round washer, last nut, or internal wire leads.

- Attach the red wire (R) to a terminal lug (packaged with this manual) and place the terminal lug onto the left post. Replace the nut/washer on the post and tighten to 20 in/lbs. (2.26 nm) of torque.
- Attach the black wire (B) to a terminal lug and place the terminal lug onto the right post. Replace the nut/washer on the post and tighten to 20 in/lbs. (2.26 nm) of torque.
- Attach the green wire (G) to a terminal lug and place the terminal lug onto the center post. Replace the nut/washer on the post and tighten to 20 in/lbs. (2.26 nm) of torque.

7. Properly secure flexible conduit at knockout panel on range and at supply side junction box. The wiring is now complete.



Note: DO NOT connect electrical power to the range at this time.

Connect Gas Supply

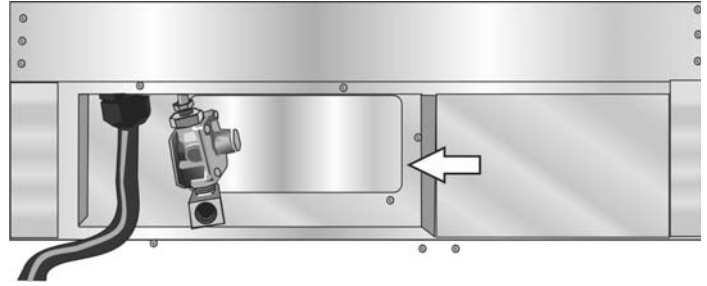
Note: It is recommended that only qualified persons make gas connections to this appliance.

Shut off main gas supply valve before disconnecting the old range and leave it off until the new hook-up has been completed. **Don't forget to relight the pilot on other gas appliances when you turn the gas back on.**

The range can be installed using rigid pipe or a CSA International-certified flexible metal appliance connector. If using a flexible connector, always use a new connector.

Apply pipe joint compound or Teflon® tape appropriate for use with LP gas and Natural gas around all male pipe threads to prevent leaks.

The gas connection is located below the back panel of the range. It is accessible through the drawer access panel or from the back of the range. To reach the access panel, remove the warming drawer.



Important note for LP users

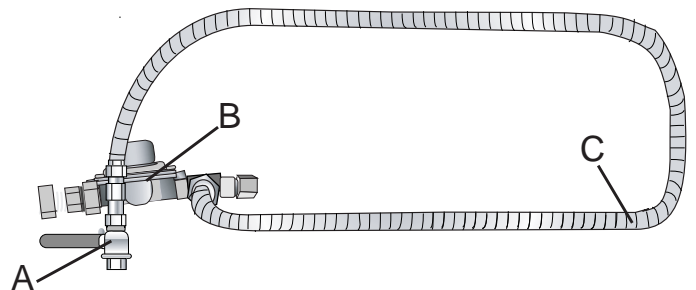
The range is shipped from the factory for use with natural gas. For use with propane (LP) gas, your range must first be converted using the LP conversion kit supplied with your range. The conversion must be done by a qualified technician.

Flexible Connector Method

If using rigid pipe, skip to "Rigid Pipe Connector Method" section following.

Attach Connector

1. Install male $\frac{1}{2}$ " flare adapter at the $\frac{1}{2}$ " NPT internal thread of the range inlet. Use a backup wrench on the elbow fitting to avoid damage.
2. Install male $\frac{1}{2}$ " or $\frac{3}{4}$ " flare union adapter on the internal thread of the manual shutoff valve.
3. Connect flexible metal appliance connector.



Item

A Gas Shutoff Valve

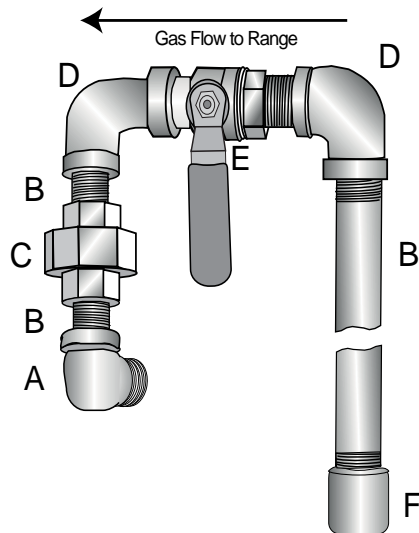
B Regulator

C Flexible Connector

Rigid Pipe Connector Method

If using a flexible connector, return to “Flexible Connector Method”.

The configuration of the rigid pipe connection will vary depending on the location of the gas pipe stub.



Item

A	Elbow; connect to regulator here
B	Pipe Nipple
C	Union
D	Elbow
E	Gas Shutoff Valve
F	$\frac{1}{2}$ " to $\frac{3}{4}$ " Gas Pipe

Complete Gas Connection

Connect pipe to range at the union. Access the connection through the access panel behind the drawer.

The gas connection is complete. It is important to test for gas leaks before proceeding with the remainder of the installation.

Test for Gas Leaks

⚠ WARNING

Never check for gas leaks with a flame.

Leak testing is to be conducted by the installer according to the instructions given in this section.

Note: Be careful not to apply pressure to warming drawer element during rigid pipe testing.

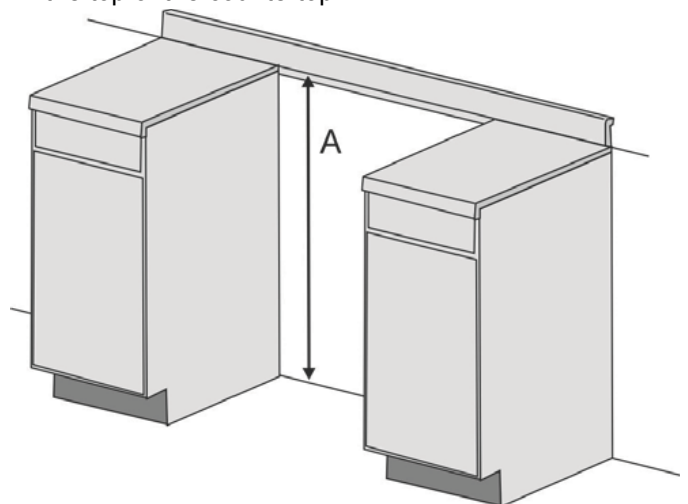
1. Turn on gas.
2. Apply a non-corrosive leak detection fluid. Include all joints and fittings between the shutoff valve and the range. Include gas fittings and joints in the range if connections may have been disturbed during installation.
3. Inspect for leaks. Bubbles appearing around fittings and connections indicate a leak.
4. If a leak appears, turn off supply line gas shutoff valve and tighten connections.
5. Retest for leaks. Turn gas back on at supply line shutoff valve and reapply leak detection fluid.
6. When no bubbles appear, test is complete. Wipe off all detection fluid residue.

Do not continue to the next step until all leaks are eliminated.

Complete the installation

Adjust Leveling Legs

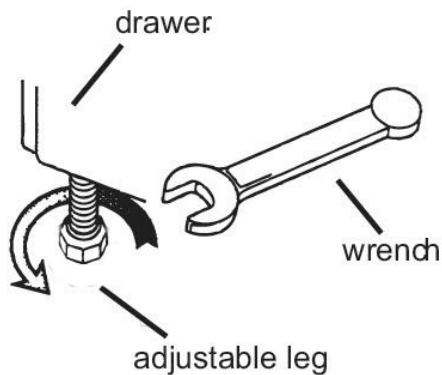
1. Make sure that the circuit breaker is off and then plug range cord into the electrical outlet.
2. Line up range in front of opening.
3. Measure (A) back left corner of opening from floor to the top of the countertop.



4. Measure the back left corner of the range to the bottom of cooktop (B). Adjust leveling legs until this height is the same as the corner dimension.



5. Repeat in the back right corner.
6. Use a 1/4 " wrench to adjust front leveling legs so that the height from the bottom of the cooktop to the floor matches the height of the corresponding countertop surface.



Slide Range into Opening

NOTICE

To avoid risk of damage to the range oven door, do not lift, push, or pull the range by holding the door handle. After the door has been removed, reach inside the top of the oven cavity to locate a ridged area near the front of the oven. Take care not to touch the oven heating element also located at the top of the oven cavity, just behind the ridged area.



Note: It is recommended to wear gloves and long sleeves to protect hands and forearms from abrasion and potential scratches during the lifting process. It is also recommended to take off watches and jewelry and to wear work shoes during installation for foot protection.

1. Remove oven door using the procedure "Removing the Oven Door" on page 17 and lift the range off of the packaging base.
2. Plug in the power cord.
3. Dampen countertop and floor at bottom of opening with soapy water.

Note: Clean up any remaining soapy water immediately after sliding the range in place.
4. Slide the range into the opening (two people needed), being careful not to damage countertops, floors, or the range door or warming drawer front. Do not apply pressure to cooktop when sliding into position. Be careful not to crimp the flexible electrical connector.
5. Install the oven door using the procedure "Replacing the Oven Door" on page 18.

Check Back of Range for Proper Installation

1. The cooktop should rest lightly on the countertop.
2. There should not be any gap between the countertop and the cooktop; however, the weight of the range must not rest on the countertop. Look under the range to verify that both back legs are resting solidly on the floor. Also verify that the left range leg is retained by the anti-tip bracket.

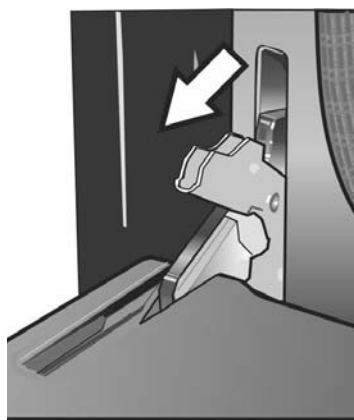
Removing/Replacing the Oven Door and Warming Drawer

Removing the Oven Door

⚠ WARNING

When removing the door:

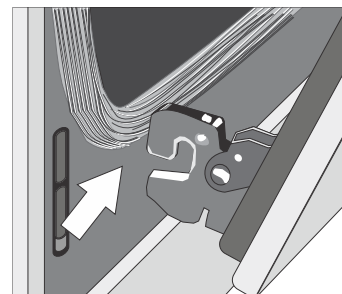
- Make sure oven is cool and power to the oven has been turned off before removing the door. Failure to do so could result in electrical shock or burns.
- The oven door is heavy and parts of it are fragile. Use both hands to remove the oven door. The door front is glass. Handle carefully to avoid breakage.
- Grasp only the sides of the oven door. Do not grasp the handle as it may swing in your hand and cause damage or injury.
- Failure to grasp the oven door firmly and properly could result in personal injury or product damage.
- To avoid injury from hinge bracket snapping closed, be sure that both levers are securely in place before removing the door. Also, do not force door open or closed—the hinge could be damaged and injury could result.
- Do not lay removed door on sharp or pointed objects as this could break the glass. Lay on a flat, smooth surface, positioned so that the door cannot fall over.



To help avoid injury or damage be sure to read the above WARNING before attempting to remove the oven door.

1. Open the oven door to its fully open, horizontal position.
2. Flip levers on hinges toward you.

Note: It may be necessary to use a tool, such as a screwdriver, to gently pry the upper part of the lever away from the housing. Take care to avoid scratching the housing.



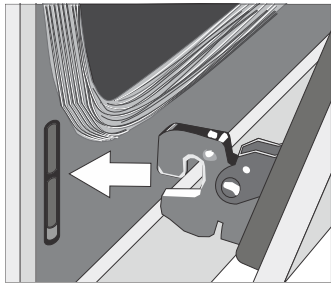
3. Bring both door hinge levers to their fullest down position as shown in the illustration. The left and right door hinge levers may differ slightly but operate in the same manner.

4. Close the oven door until it catches on the hinge stop levers, locking the hinges at the proper angle for door removal. The door will be open about 7 inches at the top. This takes the spring tension off the hinges so the door can be easily lifted out.

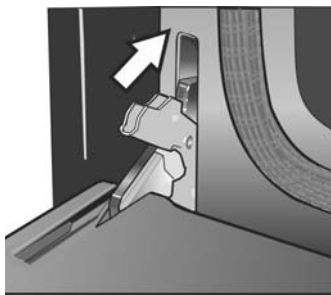
5. The door is heavy. Use both hands to firmly grip it by the sides. Do not grip the door by the handle. Maintaining the door angle, lift the door straight up approximately $\frac{3}{4}$ " to unhook the hinges from the slots and then pull it out towards you until the hinges are clear of the oven housing.

6. Place the door in a convenient and stable location until you are ready to reinstall it. Lay the door on a towel or section of protective foam padding to avoid damage to the door or the floor.

Replacing the Oven Door



1. Holding the door firmly in both hands, grip it on either side, not by the handle.
2. Tilt the door back slightly towards you until it opens about 7" at the top.
3. Slide the hinges into the slots as far as they will go and then lower the door straight down. The angle of the door may need to be adjusted slightly to allow the hinges to engage properly and the door to lower into place. The door should lower about $\frac{3}{4}$ " and stop. If not, the hinges have not engaged properly and the door could fall if it is released.
4. Once both hinges are fully engaged as described in Step 3, gently open the door until it is fully open.

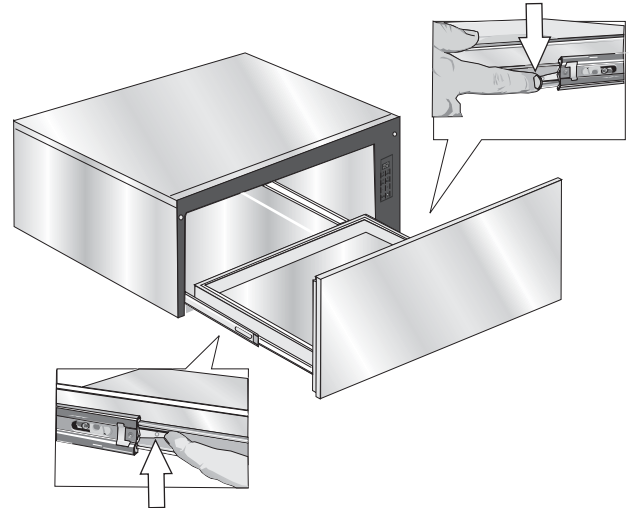


5. Push the levers on both the hinges up and forward until they are locked into the slot, flush with the front of the oven body.
6. Close and open door slowly to be sure it is correctly and securely in place.

Removing the Warming Drawer

▲ CAUTION

To prevent burns, do not remove drawer while hot. Be sure the drawer is empty before removing.



Parts

- | | |
|---|---------------|
| 1 | Housing |
| 2 | Drawer |
| 3 | Housing slide |
| 4 | Drawer rail |

1. Pull drawer to fully open position.
2. Press down right drawer clip.
3. Lift up left drawer clip.
4. Firmly pull the drawer straight out.
5. Retract housing slides while drawer is removed.

Replacing the Warming Drawer

1. Be sure housing slides are pushed inside housing.
2. Align the drawer rails with the housing slides attached to the drawer housing.
3. Firmly push the drawer straight into the drawer housing until the drawer clicks into place. **Note:** The drawer has a "push-to-open" operation. Pressing the lower center front of the drawer causes the drawer to self-open.
4. Open and close drawer to test operation. **Note:** if the drawer will not close, verify that the rails on the drawer are properly aligned to housing slides and that the rail release levers are properly positioned.

Testing Operation

Test the Oven

1. Turn on power at the breaker.
2. Test the oven mode.
Select the **BAKE** mode. See the Use and Care Manual for detailed operation instructions.
3. Verify that the oven light comes on and the oven begins to preheat.
4. Test the door lock.
Set the **SELF CLEAN** mode. Confirm that the door locks when the lock icon appears in the display.
5. If any of the tests do not result as explained above, contact Bosch service for assistance. Otherwise, continue with testing the rangetop burners.

Test the Rangetop Burners

Each burner must be tested for proper lighting, proper flame characteristics on the low setting and proper flame characteristics on the high setting.

Test for proper ignition:

1. Push down and turn the knob to the flame symbol.
2. Verify that the ignitor/spark module clicks.
3. Once the air has been purged from the supply lines, verify that the burner lights within four (4) seconds. After burner lights, turn knob to the off position.
4. Test each rangetop burner in this fashion. Call Service if any of the burners do not light.

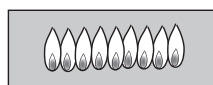
Test flame characteristics on the low setting:

1. Push in and turn the knob to the flame symbol until the burner ignites.
2. Turn knob quickly to the low setting.
3. Verify that the flame is:
 - A minimum height (approximately 1/4" or 6 mm).
 - Steady (The flame should not go out, lift or blow off of the burner. It should carry over, or surround, the entire burner.)
 - The right color (It should be blue with an inner and outer cone). See the *Flame Characteristics* table that follows for more information.
4. Test each rangetop burner in this fashion. If any flame goes out, does not carry over properly or is too large, contact Bosch Service.

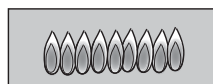
Test flame characteristics on the high setting:

1. Push in and turn the knob to the flame symbol until the burner ignites.
2. Turn knob to the high setting.
3. Verify that the flame is:
 - Steady (The flame should not go out, lift or blow off of the burner. It should carry over, or surround, the entire burner.)
 - The right color (It should be blue with an inner and outer cone). See the *Flame Characteristics* table that follows for more information.
4. Test each rangetop burner in this fashion. If any flame burns yellow or does not carry over properly, contact service.

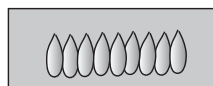
Flame Characteristics



Yellow Flames:
Further adjustment is required.



Yellow Tips on Outer Cones:
Normal for LP Gas.



Soft Blue Flames:
Normal for Natural Gas.

If the flame is completely or mostly yellow, verify that the regulator is set for the correct fuel. After adjustment, retest.

Some yellow streaking is normal during the initial start-up. Allow unit to operate 4-5 minutes and re-evaluate.

When correct color, carryover, and size are verified, the burner testing is complete.

If any of the tests do not result as explained above, contact Bosch Service for assistance. Otherwise, the installation is complete at this time.

Service

Before Calling Service

See Use and Care Manual for troubleshooting information. Refer to the Statement of Limited Warranty in the Use and Care Manual.

To reach a service representative, see the contact information at the front of the manual. Please be prepared with the information printed on your product data plate when calling.

Data Plate

The data plate shows the model and serial number. Refer to the data plate on the appliance when requesting service. The data plate is located on the back side of the drawer front. Open the drawer to see it.

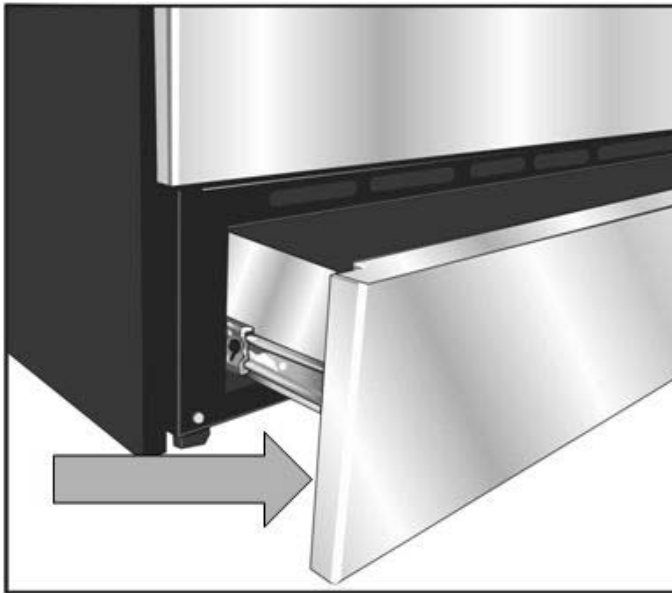


Table des matières

Définitions concernant la sécurité	1	Emplacement de la prise électrique et du raccordement de gaz	8
VEUILLEZ LIRE INTÉGRALEMENT CES INSTRUCTIONS AVANT D'UTILISER CET APPAREIL	2	Exigences relatives aux armoires	9
Sécurité en matière de gaz	2	Installation de la ventilation	9
Installation du gaz propane	2	Dégagement requis	9
Sécurité de manutention de l'appareil	3	Évitez de bloquer le passage de l'air	10
Élimination des fournitures d'emballage	3	Préparation des murs et du sol	10
Codes et normes de sécurité	3	Exigences portant sur les comptoirs	10
Emplacement prévu pour l'installation	3	Retrait de l'emballage	10
Sécurité des enfants	4	Procédure d'installation	11
Sécurité en matière d'électricité	4	Installation du support antibasculement	11
Sécurité complémentaire de l'équipement	4	Branchement électrique	11
Conversion au gaz de pétrole liquéfié	5	Cuisinières bi-énergie - Raccordement du cordon d'alimentation de la cuisinière électrique	11
Installation à haute altitude	5	Raccordement du conduit électrique flexible	14
Préparation	6	Terminer l'installation	17
Avant de commencer	6	Démontage/Remontage de la porte du four et du tiroir-réchaud	19
Outils et pièces nécessaires	6	Démontage de la porte du four	19
Pièces comprises	6	Remontage de la porte du four	21
Pièces supplémentaires nécessaires pour les installations sur circuit en fil métallique	6	Démontage du tiroir-réchaud	21
Retirer l'emballage	6	Remontage du tiroir-réchaud	22
Liste de pointage de l'installation	6	Tests de fonctionnement	22
Informations générales	7	Dépannage	23
Dimensions hors tout	7	Avant d'appeler le service de dépannage	23
Emplacement, mise à niveau et à plomb	7		
Conseils d'installation	7		
Spécifications électriques	7		
Modèles au gaz	7		
Modèles bi-énergie	7		

Cet appareil électroménager Bosch est fabriqué par
BSH Home Appliances, Corporation
1901 Main Street, Suite 600
Irvine, CA 92614

Questions?

1-800-944-2904

www.bosch-home.com/us

Il nous fait toujours plaisir de recevoir vos commentaires!

IMPORTANTES CONSIGNES DE SÉCURITÉ

LIRE ET CONSERVER CES CONSIGNES

Définitions concernant la sécurité

AVERTISSEMENT

Ceci indique que le non-respect de cet avertissement peut entraîner des blessures graves, voire la mort.

ATTENTION

Ceci indique que le non-respect de cet avertissement peut entraîner des blessures légères ou modérées.

AVIS : Ceci indique que la non-conformité à cet avis de sécurité peut entraîner des dégâts à l'appareil ou à la propriété.

Remarque : Ceci vous avertit que d'importantes informations et/ou conseils sont fournis.

AVERTISSEMENT :

Si les informations de ce manuel ne sont pas suivies à la lettre, un incendie ou une explosion peuvent se produire entraînant des dommages matériels, des lésions corporelles ou la mort.

- **Ne pas ranger ou utiliser de matériaux combustibles, d'essence ou d'autres liquides et vapeurs inflammables à proximité de cet appareil ou d'aucun autre appareil.**

- **QUE FAIRE SI VOUS SENTEZ UNE ODEUR DE GAZ**
 - **Ne tentez pas d'allumer un appareil, quel qu'il soit.**
 - **Ne touchez à aucun interrupteur électrique.**
 - **N'utilisez pas les téléphones de votre immeuble.**
 - **Téléphonez immédiatement à votre fournisseur de gaz de chez un voisin. Suivez les instructions du fournisseur de gaz.**
 - **Si vous ne parvenez pas à joindre votre fournisseur de gaz, appelez le service d'incendie.**

- **L'installation et les réparations doivent être effectuées par un installateur qualifié, un organisme de service autorisé ou le fournisseur de gaz.**

INSTALLATEUR : LAISSEZ CES INSTRUCTIONS AVEC L'APPAREIL APRÈS AVOIR TERMINÉ L'INSTALLATION.

IMPORTANT : À CONSERVER POUR L'USAGE DE L'INSPECTEUR LOCAL.

▲ AVERTISSEMENT

Si les informations de ce manuel ne sont pas suivies à la lettre, un incendie ou un choc électrique peuvent se produire entraînant des dommages matériels ou des lésions corporelles.

VEUILLEZ LIRE INTÉGRALEMENT CES INSTRUCTIONS AVANT D'UTILISER CET APPAREIL

- Remarque concernant l'installation en haute altitude : Pour les installations en haute altitude veuillez vous adresser au service après-vente.
- Installations effectuées dans l'état du Massachusetts :
 - L'installation doit être effectuée par un entrepreneur qualifié ou titulaire d'une licence, un plombier ou installateur de gaz qualifié ou titulaire d'une licence octroyée par l'état, la province ou la région où l'appareil est installé.
 - Le robinet d'arrêt doit être pourvu d'une poignée en « T ».
 - La longueur du raccord de gaz flexible ne doit pas dépasser 36 po (914 mm).
- Installateur - indiquez au propriétaire où se trouve le robinet d'arrêt de gaz.

Sécurité en matière de gaz

Un essai d'étanchéité doit être effectué par l'installateur conformément aux instructions du présent manuel.

L'appareil et son robinet d'arrêt individuel doivent être débranchés du système de tuyauterie d'alimentation en gaz lorsque vous effectuez des essais sous pression de ce système à des pressions d'essai dépassant 1/2 psi (3,5 kPa).

Installation du gaz propane

- Le réservoir de gaz propane doit être doté d'un régulateur haute pression. En outre, le régulateur fourni avec cet appareil doit être également utilisé.

Cet appareil est réglé à sa sortie de l'usine pour fonctionner au gaz naturel. Pour faire fonctionner l'appareil au gaz propane, il doit être converti. Cette conversion doit être effectuée par un technicien ou installateur qualifié.

▲ AVERTISSEMENT

DANGER DE BASCULEMENT!

Il est possible pour un enfant ou un adulte de faire basculer la cuisinière et d'être tué. Vérifier que le support antibasculement est solidement installé. S'assurer que le support antibasculement est réengagé lorsque la cuisinière est déplacée.



Ne pas faire fonctionner la cuisinière si le support antibasculement n'est pas en place. Le non-respect des instructions de ce manuel peut entraîner la mort ou des brûlures graves aux enfants ou adultes.

Vérifier que le support antibasculement est installé et utilisé correctement. Saisir l'extrémité arrière de la cuisinière et tirer pour essayer de l'incliner doucement vers l'avant. Vérifier si les dispositifs antibasculement sont engagés au niveau des pieds de la cuisinière et empêchent celle-ci de basculer. La cuisinière ne doit pas se déplacer de plus de 1 po (2,5 cm).

IMPORTANTES CONSIGNES DE SÉCURITÉ

LIRE ET CONSERVER CES CONSIGNES

Sécurité de manutention de l'appareil

ATTENTION

- Cet appareil est lourd et il faut au moins deux personnes ou l'équipement approprié pour le déplacer.
- Les surfaces cachées peuvent comporter des arêtes vives. Faites attention en tendant le bras derrière l'appareil ou en dessous.
- Ne pas utiliser le four ou le tiroir chauffant (si l'appareil en est équipé) comme espace de rangement.

Ne pas soulever l'appareil par la poignée de la porte du four. Retirer la porte du four pour faciliter la manutention et l'installation de celui-ci. Voir la section « *Démontage/ Remontage de la porte du four et du tiroir-réchaud* », page 19.

ATTENTION

Se munir de gants pour éviter de s'entailler les doigts sur les arêtes vives au cours de l'installation.

Élimination des fournitures d'emballage

Retirer le ruban adhésif et l'emballage avant d'utiliser la cuisinière. Détruire la boîte en carton et les sacs en plastique après avoir déballé la cuisinière. Ne jamais laisser d'enfants jouer avec les fournitures d'emballage.

Codes et normes de sécurité

Cet appareil est conforme à une ou plusieurs des normes suivantes :

- UL 858, Cuisinières électriques domestiques
- CAN/CSA-C22.2 N° 61, Cuisinières domestiques pour la cuisson des aliments
- ANSI Z21.1b-2012, Appareils électroménagers de cuisson au gaz

Il est de la responsabilité du propriétaire et de l'installateur de déterminer si des exigences supplémentaires, comme des codes ou des normes locales, s'appliquent à une installation spécifique. En l'absence de codes locaux,

l'installation doit être conforme avec le code national pour le gaz combustible, ANSI Z223.1/NFPA54.

Emplacement prévu pour l'installation

Pour éliminer le risque de brûlures ou d'incendie pouvant survenir en tendant le bras au-dessus des éléments de surface chauds, les espaces de rangement situés au-dessus des éléments de surface, telle une armoire de cuisine, sont à éviter. Dans le cas où un espace de rangement serait mis à disposition, le risque peut être diminué grâce à l'installation d'une hotte dépassant horizontalement d'au moins 5 po (12,7 cm) de la base de l'armoire.

Vérifier que les armoires situées au-dessus de la table de cuisson ont 13 po (330 mm) de profondeur maximum.

AVERTISSEMENT

NE JAMAIS couvrir les fentes, orifices ou ouvertures de la sole du four ni boucher intégralement une grille avec des matériaux tels que le papier aluminium. Ceci risque de bloquer la circulation de l'air à l'intérieur du four et peut entraîner un empoisonnement au monoxyde de carbone. Les doublures de papier aluminium peuvent d'autre part piéger la chaleur ce qui peut entraîner un risque d'incendie.

Sécurité des enfants

Ne pas entreposer d'objets pouvant intéresser les enfants dans les armoires se trouvant au-dessus d'une cuisinière ou sur son dosseret. Un enfant qui grimperait sur la cuisinière pour saisir ces objets pourrait se blesser sérieusement.

Sécurité en matière d'électricité

Avant de brancher le cordon électrique, s'assurer que toutes les commandes sont en position d'arrêt (OFF).

S'assurer que votre appareil est correctement installé et mis à la terre par un technicien qualifié conformément à la dernière édition du Code national de l'électricité ANSI/ NFPA 70 et des exigences des codes locaux en matière d'électricité.

Les codes locaux peuvent varier. L'installation, les branchements électriques et la mise à la terre doivent être conformes à tous les codes applicables.



IMPORTANTES CONSIGNES DE SÉCURITÉ

LIRE ET CONSERVER CES CONSIGNES

Pour les appareils équipés d'un cordon et d'une prise, ne pas couper ni retirer le contact de mise à la terre. Il doit être branché dans une prise de courant homologue avec mise à la terre afin d'éviter les chocs électriques. S'il y a un doute quelconque concernant la mise à la terre correcte de la prise murale, le client doit faire vérifier l'installation par un électricien qualifié.

Si le Code national de l'électricité (ou le Code canadien de l'électricité) l'exige, cet appareil doit être installé sur un circuit de dérivation séparé.

Utiliser uniquement un nécessaire de cordon d'alimentation électrique homologué pour cet appareil et portant la mention « Pour utilisation avec les cuisinières ».

Installateur - Veuillez indiquer au propriétaire l'emplacement du disjoncteur ou du fusible. Identifier sa position pour pouvoir le retrouver facilement.

Important - Conserver ces instructions pour l'usage de l'inspecteur en électricité local.

Avant de procéder à l'installation, couper le courant au panneau d'entrée d'électricité. Verrouiller le panneau d'entrée d'électricité pour éviter que le courant ne soit rétabli accidentellement.

Pour des informations supplémentaires, consulter la plaque signalétique. Voir « Plaque signalétique » sous « Dépannage » pour connaître l'emplacement de la plaque signalétique.

Sécurité complémentaire de l'équipement

Ne jamais modifier ni altérer la structure de l'appareil. Par exemple, ne pas retirer les pieds de nivellement, les panneaux, les couvre-fils ni les supports/vis antibasculement.

AVERTISSEMENT

Avertissements conformément à la Proposition 65 de l'État de Californie :

Ce produit contient des substances chimiques reconnues par l'État de Californie comme pouvant causer le cancer, des malformations congénitales ou d'autres troubles de la reproduction.

AVIS DE SÉCURITÉ IMPORTANT : En application de la loi californienne concernant la salubrité de l'eau et la protection contre les substances chimiques (« California Safe Drinking Water and Toxic Enforcement Act »), le gouverneur de Californie est tenu de publier une liste des substances reconnues par l'État de Californie comme étant

cancérigènes ou pouvant causer des malformations ou présenter un danger pour la reproduction, et les entreprises sont tenues d'avertir les consommateurs des risques potentiels d'exposition à de telles substances.

Conversion au gaz de pétrole liquéfié

▲ AVERTISSEMENT

Si l'installation de la cuisinière n'est pas exécutée par un installateur ou un électricien qualifié, des blessures personnelles ou la mort peuvent se produire à la suite d'un choc électrique.

Toute adjonction, modification ou conversion nécessaire pour faire en sorte que cet appareil électroménager réponde de façon satisfaisante aux besoins de l'application doivent être réalisées par un technicien qualifié.

Votre modèle de cuisinière à gaz est conçu pour pouvoir être converti au gaz PL par un technicien en entretien et en réparation qualifié. Avant d'installer le nécessaire, assurez-vous de suivre attentivement la notice d'installation du gaz PL.

Installation à haute altitude

Contactez le service d'entretien pour l'utilisation à une altitude supérieure à 2000 pieds (610 m).

Préparation

Avant de commencer

Outils et pièces nécessaires

- Modèles bi-énergie uniquement - Nécessaire de cordon d'alimentation électrique de - 40 ou 50 ampères avec réducteur de tension (selon le code local).

Remarque : Celui-ci n'est pas nécessaire pour les installations effectuées au Canada car le cordon est installé au préalable en usine.

- Mètre à ruban
- Tournevis cruciforme
- Clé de 1-1/4 po (32 mm)
- Crayon
- Tournevis à pointe à six lobes T-20
- Vis (2) et brides d'ancrage (2) pour le support antibasculement (le style varie en fonction de la surface de montage)
- Niveau
- Perceuse et foret (foret de maçonnerie de 3/16 po ou 4,7 mm pour vis de scellement)
- Eau savonneuse
- Gants et lunettes de sécurité
- Toile ou carton (facultatif - pour protéger le sol)
- Clé à tube
- Ruban pour joints filetés (homologués pour le gaz)
- Pince multiprise à crémaillère
- Solution de détection de fuites de gaz
- Conduite d'alimentation de gaz (1/2 po NPT (1,27 cm minimum))
- Robinet d'arrêt de gaz

Pièces comprises

- Support antibasculement
- 2 vis à bois
- 2 vis de scellement sans bride d'ancrage
- Cosses (Pour installations câblées)

Remarque : Les cosses ne sont pas nécessaires pour les installations au Canada.

Pièces supplémentaires nécessaires pour les installations sur circuit en fil métallique

Modèles bi-énergie uniquement

- Conduit flexible
- Clé dynamométrique

Remarque : Le nécessaire de cordon d'alimentation électrique n'est pas nécessaire pour les installations sur circuit en fil métallique.

Retirer l'emballage

- Si des bandes sont présentes, veuillez les couper.
- Couper le film de plastique à l'arrière de l'appareil en veillant à ne pas couper une partie de l'appareil.
- Enlever le film de plastique.
- Soulever et retirer la pièce en carton qui entoure la partie supérieure de l'appareil.
- Enlever les cornières cartonnées en veillant à retirer également tout montant ou autre matériau d'emballage placé entre les cornières.
- Enlever l'emballage intérieur et le ruban adhésif.

Liste de pointage de l'installation

Pour la notice d'installation complète, veuillez vous référer aux pages suivantes. Utilisez cette liste de pointage pour vérifier que vous avez effectué chaque étape du processus d'installation. Ceci peut vous aider à éviter de commettre des erreurs.

- ___ 1. Avant d'installer la cuisinière, s'assurer que les dimensions des armoires sont correctes pour votre appareil et que les branchements électriques et de gaz requis sont présentes.
- ___ 2. Consulter le manuel d'installation pour des informations sur la sécurité, les dimensions des armoires, le déballage de l'appareil, l'installation électrique, les branchements de gaz, les tests réalisés sur l'installation et le service après-vente.
- ___ 3. Le démontage de la porte du four et du tiroir-réchaud avant l'installation permettent d'alléger le poids de la cuisinière et d'en faciliter le déplacement. De plus, le démontage de la porte du four permet d'accéder aux alvéoles pour soulever l'appareil.

- ___ 4. Déplacer la cuisinière pour la mettre en place devant l'ouverture où elle sera installée sans enlever l'emballage inférieur qui la protège pour éviter d'endommager le sol.
- ___ 5. Brancher la cuisinière sur une prise de courant correctement configurée.
- ___ 6. Protéger le sol des dommages qu'il pourrait subir, puis faire glisser l'appareil intégralement pour le mettre en place en veillant à faire suivre correctement le cordon d'alimentation.
- ___ 7. Remettre en place la porte du four et du tiroir-réchaud que vous avez démontée à l'étape 3 ci-dessus.
- ___ 8. Consulter l'intégralité de la notice d'installation et suivre le restant des procédures répertoriées, y compris l'exécution d'un essai de fonctionnement.

Informations générales

Dimensions hors tout

Dimension	Pouces	Centimètres
Hauteur	36½ - 38 po	92.7 - 96.6 cm
Largeur	31½ po	80 cm
Profondeur	26¾ po	68.1 cm

Emplacement, mise à niveau et à plomb

Pour de meilleurs résultats, les armoires, les comptoirs, les parois et les planchers doivent être aussi de niveau et d'aplomb que possible. Une variation de niveau peut mettre en péril l'intégrité des comptoirs et des planchers au cours de l'installation et compromettre le rendement de cuisson et de boulangerie.

Conseils d'installation

Pour alléger le poids de la cuisinière et en faciliter la manutention au cours de l'installation, retirer la porte du four de la cuisinière (voir la section sur le démontage/remontage de la porte et du tiroir-réchaud).

Si vous ne retirez pas le tiroir-réchaud, fixez-le solidement avec du ruban adhésif avant l'installation pour éviter qu'il ne s'ouvre pendant l'installation de la cuisinière.

Mettre un morceau de carton ou une toile sous la cuisinière au cours de l'installation afin de protéger les planchers.

Exigences concernant le gaz

▲ AVERTISSEMENT

S'assurer que le robinet d'arrêt de gaz et que toutes les commandes de brûleurs sont dans la position OFF (arrêt) avant de commencer.

Fermez la soupape d'alimentation principale en gaz avant de déconnecter l'ancienne cuisinière et laissez-la fermée tant que vous n'aurez pas terminé le nouveau raccordement. N'oubliez pas de rallumer la veilleuse, le cas échéant, sur d'autres appareils à gaz lorsque vous rétablissez l'alimentation du gaz.

Spécifications électriques

Pour des informations supplémentaires, consulter la plaque signalétique. Voir la « Plaque signalétique » du produit dans la section Dépannage du présent manuel.

Modèles au gaz

120 volts, 15 Amp minimum, 60 Hz sont requis. Un cordon d'alimentation de 120 volts est installé par le fabricant sur les cuisinières à gaz.

Modèles bi-énergie

Nous recommandons d'installer la cuisinière avec un nécessaire de cordon d'alimentation (non fourni avec les modèles vendus aux États-Unis). La cote électrique du nécessaire de cordon d'alimentation doit être de 120/240 volts, 30 ampères minimum. Le nécessaire de cordon d'alimentation doit porter la mention « Pour utilisation avec les cuisinières ». Toujours utiliser un cordon d'alimentation neuf.

Vérifier que le câblage vers la résidence est adéquat. Communiquer avec les services publics locaux afin de vérifier si l'alimentation électrique de votre résidence est adéquate. Dans certains cas, il faudra augmenter le calibre du câblage de la résidence et de l'interrupteur secteur pour satisfaire la consommation en électricité de la cuisinière.

Certains codes de câblage exigent l'installation d'un circuit séparé doté d'un sectionneur et de fusibles séparés sur le tableau de distribution de l'entrée principale ou dans une boîte de distribution et de fusibles séparée.

La cuisinière nécessite au minimum un circuit trifilaire à courant alternatif de 120/240 volts ou de 120/208 volts, 25 ou 30 ampères, 60 Hz. Vérifier les codes locaux pour obtenir l'intensité nominale correcte. Un raccordement à 4 fils est privilégié. La plupart des règlements et codes du bâtiment locaux exigent que le câblage électrique soit réalisé par des électriciens agréés. S'assurer d'installer la cuisinière conformément aux codes électriques en vigueur dans votre région.

Régime nominal en kW

Les cuisinières sont à double tension, ce qui permet de les utiliser en 120/240 VCA ou en 120/208 VCA. Vérifier la plaque signalétique pour le régime nominal en kW. Consulter le régime nominal en kW dans le tableau ci-dessous pour déterminer les exigences en matière d'intensité de courant.

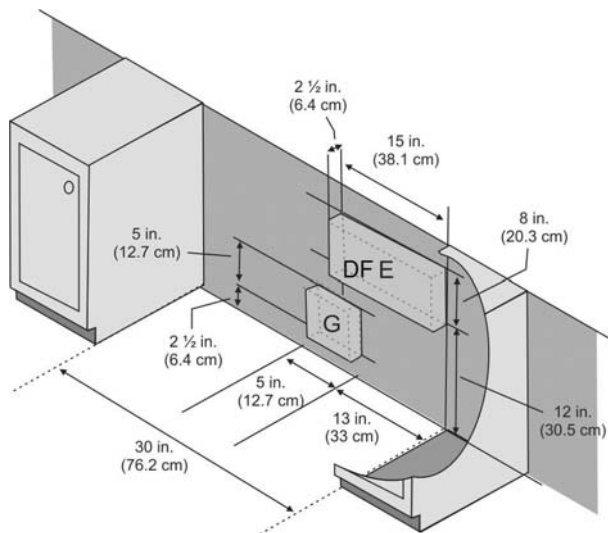
VOLTS C/A	HZ	RÉGIME NOMINAL KW	DISJONC- TEUR
120/240	60	6,4	30 ampères*
120/208	60	4,8	25 ampères*

* Varie selon le lieu. Vérifier les codes locaux.

Emplacement de la prise électrique et du raccordement de gaz

Modèles bi-énergie Une prise encastrée avec circuit spécialisé de 208/240 VCA est requise. Utiliser le schéma ci-dessous pour vous assurer que l'installation est correctement préparée pour la cuisinière. Remarquez que l'espace disponible pour la prise électrique est indiqué dans la boîte grise (DF E) dans l'illustration suivante.

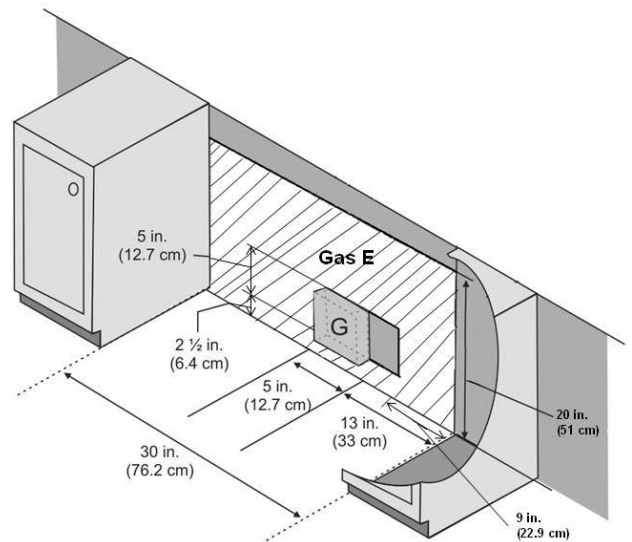
Pour accéder au raccordement de gaz, vous devez retirer le tiroir-réchaud. L'espace disponible pour le raccordement de gaz est indiqué dans la boîte grise (G) dans l'illustration suivante.



Modèles au gaz Le cordon d'alimentation et la prise sont de 120 VCA. Utilisez le schéma ci-dessous pour vérifier que la zone d'installation est prête pour l'installation de la cuisinière. Remarquez que l'espace disponible pour la prise électrique (encastrée) est indiqué dans la boîte grise (Gaz E) dans l'illustration suivante.

Pour accéder au raccordement de gaz, vous devez retirer le tiroir-réchaud. L'espace disponible pour le raccordement

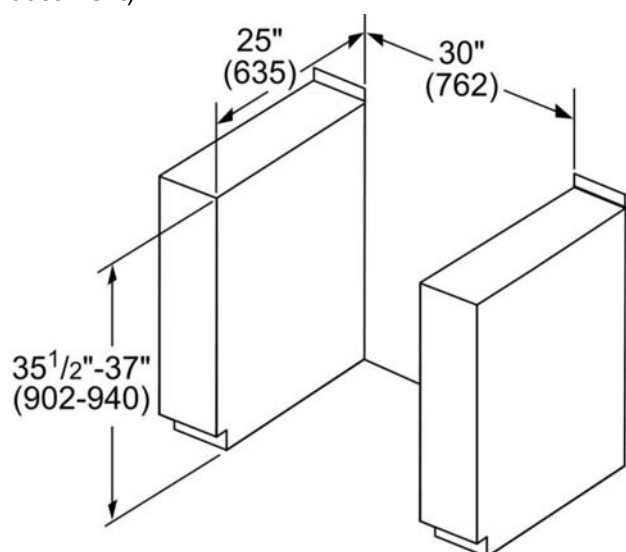
de gaz est indiqué dans la boîte grise (G) dans l'illustration ci-dessous.



Exigences relatives aux armoires

Cet appareil a été conçu pour une installation près de parois adjacentes et de surfaces en saillie construites en matières combustibles. Préparer le comptoir de cuisine et les armoires.

Prévoir un espace de 30 po (76,2 cm) minimum entre les armoires où la cuisinière doit être installée. Aucun dégagement latéral n'est requis aux. La hauteur est réglée en ajustant les pieds de la cuisinière (voir la section « Terminer l'installation » plus loin dans ce document).



Remarque : La cuisinière insérée peut également remplacer une cuisinière autonome. Dans ce cas, vérifier que l'ouverture mesure au moins 30 po (762 mm).

Installation de la ventilation

Bosch recommande les espacements minimaux indiqués dans les diagrammes d'installation contenus dans ce manuel. Les espacements pour les matériaux non combustibles ne font pas partie de la norme ANSI Z21.1 et ne sont pas certifiés par la CSA. Les espacements moindres que ceux indiqués dans les diagrammes d'installation doivent être approuvés par les codes locaux ou les autorités locales ayant juridiction.

Dégagement requis

Ces instructions ont été développées en utilisant des armoires américaines standard. Les armoires de base standard mesurent 36 po (91,4 cm) de hauteur x 25 po (63,5 cm) de profondeur. Les armoires qui se trouvent au-dessus de la surface de cuisson et celles qui sont adjacentes à ces dernières mesurent 13 po (33 cm) de profondeur depuis la paroi arrière. Si des armoires non standard sont utilisées, veiller à modifier les dimensions en conséquence.

▲ AVERTISSEMENT

Pour éliminer le risque de brûlures ou d'incendie pouvant survenir en tendant le bras au-dessus des éléments de surface chauds, les espaces de rangement situés au-dessus des éléments de surface, telle une armoire de cuisine, sont à éviter. Dans le cas où un espace de rangement serait mis à disposition, le risque peut être diminué grâce à l'installation d'une hotte dépassant horizontalement d'au moins 5 po (127 mm) de la base de l'armoire.

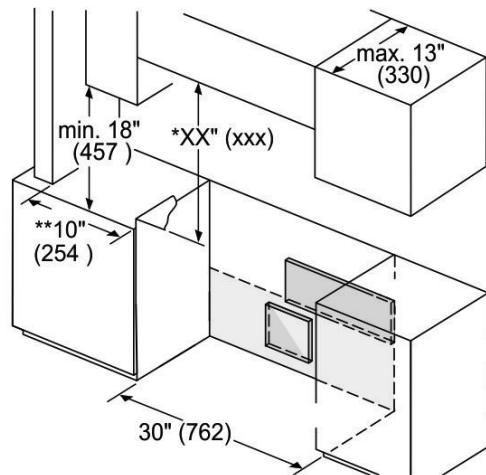
Entre la table de cuisson et les matériaux se trouvant au-dessus :

- Il doit y avoir un dégagement minimum de 36 po (914 mm) pour un four encastrable au gaz et 30 po (762 mm) pour un four encastrable bicom bustible entre le dessus de la surface de cuisson et la partie inférieure d'une armoire en bois ou en métal non protégée.
- Bosch recommande les espacements minimaux indiqués dans les diagrammes d'installation contenus dans ce manuel. Les espacements pour les matériaux non combustibles ne font pas partie de la norme ANSI Z21.1 et ne sont pas certifiés par la CSA. Les espacements moindres que ceux indiqués dans les diagrammes d'installation doivent être approuvés par les codes locaux ou les autorités locales ayant juridiction.

Entre la surface de cuisson et les matériaux latéraux :

Aucun dégagement n'est requis entre les parois de l'appareil et les parois combustibles verticales adjacentes à l'arrière, à droite ou à gauche.

.Remarque : Certains revêtements d'armoire ne peuvent pas résister aux températures autorisées par les normes de sécurité et, en particulier, celles des fours auto-nettoyants; ainsi, les armoires risquent de se décolorer ou de se tacher. Ceci est particulièrement visible sur les armoires laminées.



Mesures en pouces (mm)

*XX Espacement minimal de 914 mm (36 po) pour un four encastrable au gaz et 762 mm (30 po) pour un four encastrable bicom bustible requis au-dessus d'une surface combustible. Pour un ventilateur ou un four à micro-ondes au-dessus de la surface, consulter les espacements fournis avec ces produits.

** 10 po (254 mm) si le mur latéral contient des matériaux combustibles.

Les matériaux ignifuges portent la mention suivante :

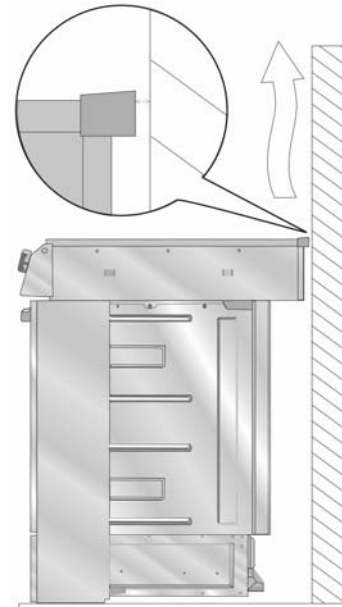
« UNDERWRITERS LABORATORIES INC. CLASSIFIED MINERAL AND FIBER BOARDS SURFACE BURNING CHARACTERISTICS » (Caractéristiques relatives à l'inflammabilité de panneaux de fibres et de minéraux classés de l'Underwriter's Laboratories, Inc.) Cette indication est suivie par des indices de propagation de flamme et de fumée. Ces désignations sont indiquées par le signe « FHC » (Flame Spread/Smoke Developed - Propagation de la flamme/Production de fumée). Les matériaux ayant un indice ignifuge de « O » sont ignifuges. Les codes locale peuvent autoriser un indice de propagation de flamme différent. Il est de la responsabilité de l'installateur de veiller à ce que l'installation soit conforme à ces indices.

Évitez de bloquer le passage de l'air

▲ AVERTISSEMENT

Risque d'incendie - Ne pas bloquer l'espace de ventilation à l'arrière de la surface de cuisson. Ne pas appliquer de mastic ni sceller autrement cette ouverture.

L'espacement de ventilation adéquat pour les cuisinières bi-énergie ou au gaz est obtenu automatiquement lorsque l'arrière de la cuisinière est contre le mur. Si l'espace libre qui en résulte est obstrué, même temporairement, la cuisinière et/ou les armoires qui l'entourent peuvent surchauffer, ce qui pourrait entraîner un danger d'incendie.



Préparation des murs et du sol

Sceller tous les trous dans les murs ou le sol. Supprimer les obstructions (connexions électriques ou de gaz accessoires, etc.) afin que la cuisinière puisse être adossée correctement contre le mur.

Exigences portant sur les comptoirs

Les comptoirs doivent être lisses et de niveau.

Retrait de l'emballage

1. Si des bandes sont présentes, veuillez les couper.
2. Couper le film de plastique à l'arrière de l'appareil en veillant à ne pas couper une partie de l'appareil.
3. Enlever le film de plastique.
4. Soulever et retirer la pièce en carton qui entoure la partie supérieure de l'appareil.
5. Enlever les cornières cartonnées en veillant à retirer également tout montant ou autre matériau d'emballage placé entre les cornières.
6. Enlever l'emballage intérieur et le ruban adhésif.

Procédure d'installation

Installation du support antibasculement

⚠ AVERTISSEMENT

Il est possible pour un enfant ou un adulte de faire basculer la cuisinière et d'être tué. Vérifier que le dispositif antibasculement est solidement monté. S'assurer que le support antibasculement est réengagé lorsque la cuisinière est déplacée.

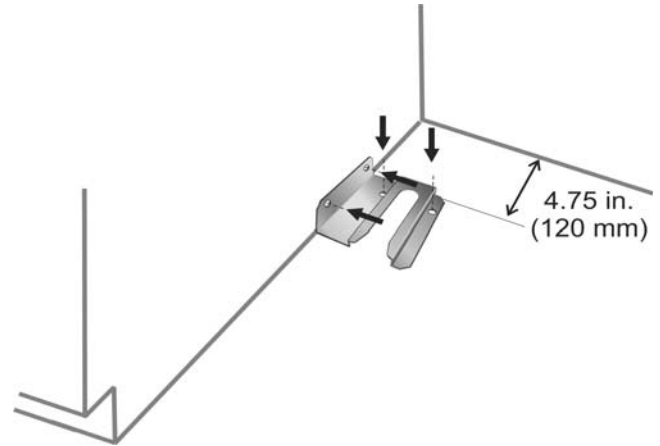


Il est possible pour la cuisinière de basculer vers l'avant et de causer des blessures et des dégâts si le support antibasculement n'est pas correctement installé. Ne pas faire fonctionner la cuisinière si le support antibasculement n'est pas en place.

Étapes d'installation du support antibasculement

1. Régler la hauteur de la cuisinière par rapport à la hauteur du comptoir et mettre celle-ci de niveau en faisant pivoter les pieds d'appui réglables au bas de la cuisinière à l'aide d'une clé de 1-1/4 po (32 mm).
2. Positionner le support comme indiqué ci-dessous dans le coin arrière gauche de l'ouverture prévue pour l'installation, contre la paroi arrière et la paroi gauche du placard. Monter le support à l'aide de deux vis sur le plancher ou le socle du placard adjacent. **Remarque :** La surface de montage doit être stable. Lors du montage sur la paroi du placard, assurez-vous que les vis se logent dans le bâti du placard, et non pas seulement dans la paroi mince de celui-ci. Ne pas utiliser de cale ni de pièce d'espacement pour combler un vide entre le support antibasculement et la paroi du placard.
3. Fixer solidement le support à l'aide de deux vis sur le plancher ou le bas de la paroi du placard. En fonction du sol ou des matériaux du placard, utiliser des vis à bois ou des vis de scellement sans bride d'ancrage (livrées). Les vis de scellement nécessitent l'utilisation d'une mèche à maçonnerie de 3/16 po (4,76 mm). Les vis doivent être fixées solidement dans le bois ou le

plancher massif. Ne pas tenter de fixer les vis sur une cloison sèche.



Branchement électrique

La cuisinière bi-énergie peut être connectée à l'aide d'un cordon électrique pour cuisinière (comme indiqué à la section précédente « Spécifications électriques ») ou au moyen d'une connexion électrique à conduit flexible. La cuisinière à gaz insérée est équipée d'un cordon d'alimentation de 120 volts et se branche dans une prise murale standard de 120 volts.

⚠ AVERTISSEMENT

Ne pas utiliser une rallonge. Si le cordon d'alimentation est trop court, demandez à un électricien qualifié d'installer une prise près de l'appareil.

Cuisinières à gaz

Un cordon d'alimentation de 120 volts est installé sur les cuisinières à gaz.

Cuisinières bi-énergie - Raccordement du cordon d'alimentation de la cuisinière électrique

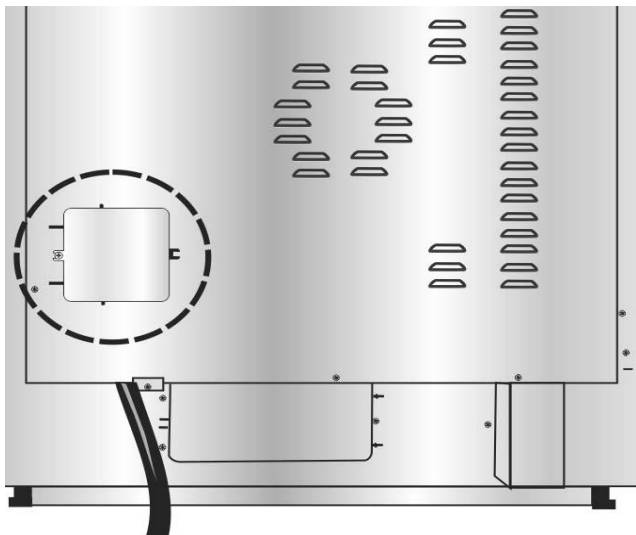
Cette section s'applique aux cuisinières bi-énergie uniquement (elle ne s'applique pas aux cuisinières à gaz). Les cuisinières à gaz sont équipées d'une table de cuisson au gaz et d'un four électrique.

Remarque : Au Canada, la cuisinière est expédiée de l'usine avec le cordon d'alimentation déjà en place. Passer à la section « Terminer l'installation », page 17.

Remarque : Il est recommandé de confier l'ajout d'un cordon d'alimentation ou les branchements électriques de cet appareil uniquement à des personnes qualifiées.

Pour les installations en dehors du Canada, raccorder le cordon de la cuisinière au bornier. Pour accéder au bornier,

retirer le couvercle dans le coin inférieur gauche du panneau arrière de la cuisinière.



Installation du réducteur de tension

Mettre le réducteur de tension en place dans le panneau amovible sous le bornier.

⚠ AVERTISSEMENT

Le réducteur de tension livré avec le cordon de votre cuisinière doit être correctement installé. Les réducteurs de tension varient d'un modèle à l'autre. Lire et suivre attentivement les instructions comprises avec votre réduction de tension.

1. Dans le panneau amovible qui se trouve sous le bornier, retirer la plaque d'éjection qui s'adapte sur le réducteur de tension livré avec le cordon d'alimentation de votre cuisinière.
2. Faire passer le cordon d'alimentation de la cuisinière par le trou et le réducteur de tension jusqu'au bornier. Laisser un peu de mou dans le cordon entre le réducteur de tension et le bornier.
3. Une fois la longueur et le mou du cordon ajustés, fixer le réducteur de tension selon les instructions comprises avec ce dernier.

Conseil : Le panneau amovible (sous le bornier) peut être retiré de la cuisinière pour installer le réducteur de tension. Retirer le panneau de la cuisinière, installer le réducteur de tension dans le panneau et remettre celui-ci en place. NE PAS retirer complètement le panneau arrière de la cuisinière.

Préparation pour le branchement électrique

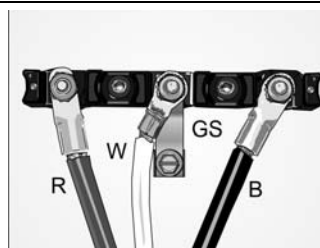
⚠ AVERTISSEMENT

Risque de choc électrique ou d'incendie. La mise à la terre par le conducteur neutre est interdite pour les nouvelles installations de circuit terminal (NEC 1996), les maisons mobiles et les véhicules de plaisance ou dans les endroits où les codes locaux interdisent la mise à la terre par un conducteur neutre.

Pour les installations où la mise à la terre par le conducteur neutre est interdite : (a) débrancher le fil du conducteur neutre, (b) utiliser la borne ou le fil de mise à la terre pour mettre l'appareil à la terre, (c) raccorder la borne neutre au conducteur neutre du circuit de dérivation de la façon habituelle. Lorsque l'appareil doit être branché au moyen d'un nécessaire de cordon, utiliser un cordon à 4 conducteurs prévu à cet effet.

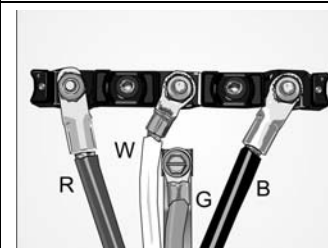
Utiliser uniquement des nécessaires de cordon d'alimentation électrique avec une tension nominale de 125/250 volts, 30 ampères (minimum) et portant la marque «Pour utilisation avec les cuisinières ». Le réducteur de tension fourni avec le cordon doit être installé selon les instructions comprises avec ce dernier.

Branchement à 3 fils



R = Rouge
W = Blanc
GS = Bande de mise à la terre
B = Noir

Branchement à 4 fils



R = Rouge
W = Blanc
G = Vert
B = Noir

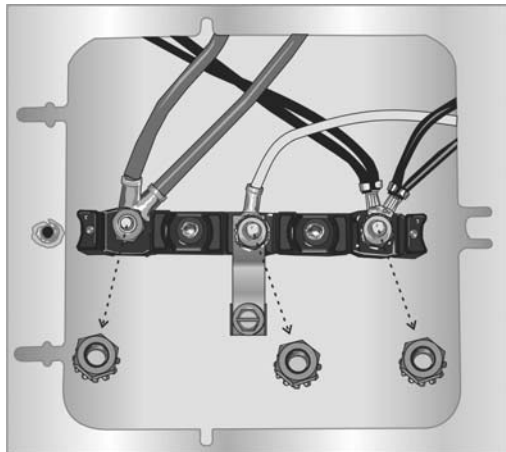
⚠ AVERTISSEMENT

Pour éviter un choc électrique, en aucun cas le contact de mise à la terre sur le cordon d'alimentation de la cuisinière doit-il être coupé ou supprimé. Il doit être branché dans une prise avec mise à la terre homologuée et relié à un circuit de 240 volts correctement polarisé. S'il y a un doute quelconque concernant la mise à la terre correcte de la prise murale, faire vérifier l'installation par un électricien qualifié.

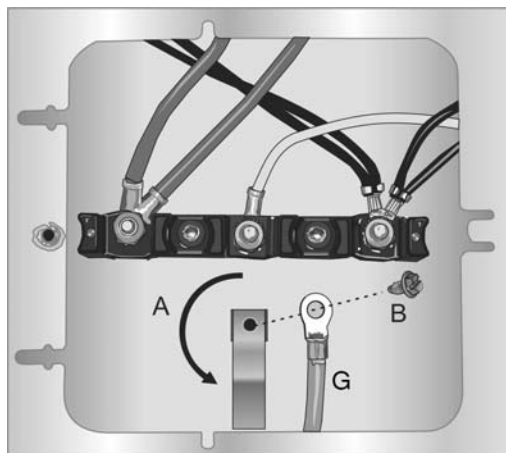
Raccordement du cordon à 4 fils de la cuisinière (méthode recommandée)

1. Débrancher le courant au niveau du boîtier disjoncteurs. Retirer le cache-bornes pour exposer le bornier.
2. Retirer l'écrou supérieur (il comporte une rondelle frein) de chaque borne.

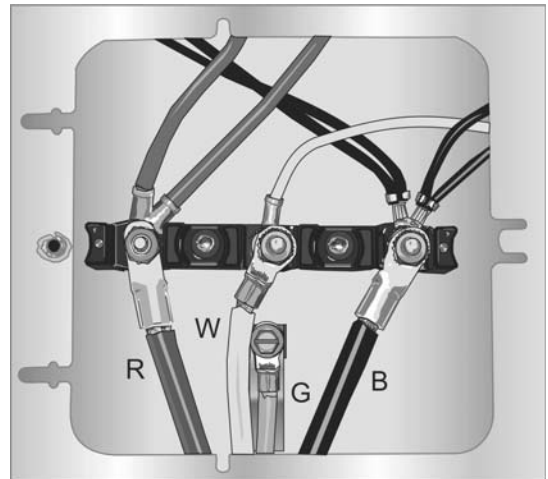
Remarque : NE PAS enlever le (la) deuxième écrou/ rondelle sur chaque borne. Ceux-ci doivent rester à leur place pour pouvoir fixer les fils internes reliés au bornier.



3. Retirer la vis de l'extrémité inférieure du conducteur de terre.
4. Retirer la vis de mise à la terre verte de l'extrémité inférieure du ruban de mise à la terre. Retirer l'extrémité supérieure du ruban de mise à la terre de la borne centrale de la barre de jonction. Faire pivoter la bande de mise à la terre (A) de sorte que la grande extrémité se trouve sur le dessus et aligner le trou avec le trou de mise à la terre sous le bornier. Utiliser la vis de mise à la terre verte (B) pour connecter le fil vert (G) sur le dessus du ruban de mise à la terre. Serrer les vis de mise à la terre à fond, mais ne pas trop serrer.



5. Connecter le fil rouge à la borne gauche du bloc de raccordement au moyen de l'un(e) des écrous/ rondelles retirés à l'étape 2.



6. Connecter le fil blanc à la borne centrale du bloc de raccordement au moyen de l'un(e) des écrous/ rondelles.
7. Connecter le fil noir à la borne droite du bloc de raccordement au moyen de l'un(e) des écrous/ rondelles.
8. Serrer solidement toutes les connexions et remettre le cache-bornes en place.
9. Fixer solidement et correctement le réducteur de tension (voir section précédente).

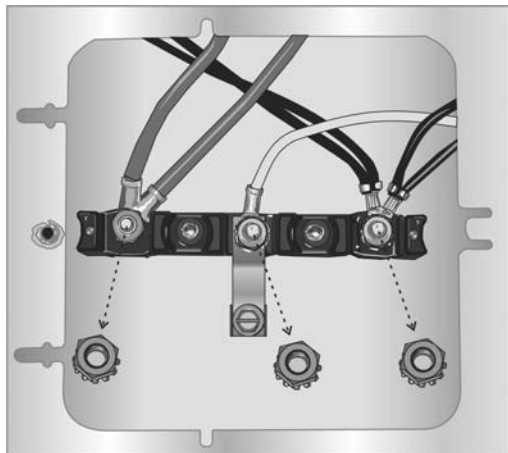
Remarque : NE PAS brancher la cuisinière pour l'instant.

Raccordement du cordon à 3 fils de la cuisinière (autre méthode)

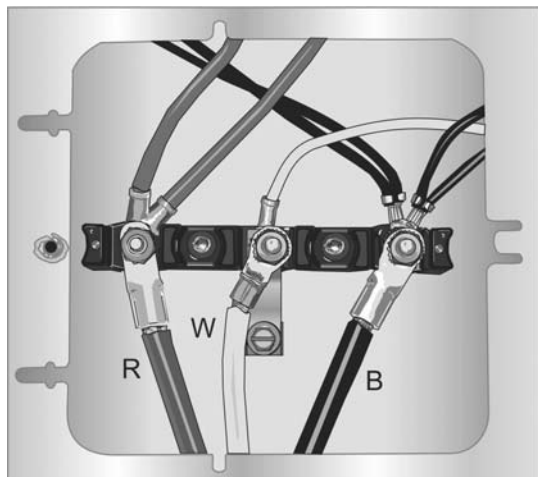
Le raccordement à 4 fils (ci-dessus) est préférable mais lorsque les codes et règlements locaux autorisent la mise à la terre à travers le neutre, et là où la conversion à un raccordement à 4 fils est impossible à mettre en œuvre, l'appareil peut être raccordé à l'alimentation via une méthode de raccordement à 3 fils.

1. Débrancher le courant au niveau du boîtier de disjoncteurs.
2. Retirer le cache-bornes pour exposer le bornier.
3. Retirer l'écrou supérieur (il comporte une rondelle frein) de chaque borne.

Remarque : NE PAS enlever le (la) deuxième écrou/ rondelle sur chaque borne. Ceux-ci doivent rester à leur place pour pouvoir fixer les fils internes reliés au bornier.



4. Connecter le fil blanc à la borne centrale du bloc de raccordement au moyen de l'un(e) des écrous/ rondelles.
5. Connecter le fil rouge à la borne gauche du bloc de raccordement au moyen de l'un(e) des écrous/ rondelles retirés à l'étape 2.
6. Connecter le fil noir à la borne droite du bloc de raccordement au moyen de l'un(e) des écrous/ rondelles.



7. Serrer solidement toutes les connexions et remettre le cache-bornes en place.
8. Fixer solidement et correctement le réducteur de tension (voir section précédente).

Remarque : NE PAS brancher la cuisinière pour l'instant.

Raccordement du conduit électrique flexible

La cuisinière peut également être raccordée au moyen d'un conduit flexible. Si vous utilisez cette méthode, toujours utiliser les cosses fournies.

Remarque : Au Canada, la cuisinière est expédiée de l'usine avec le cordon d'alimentation déjà en place. Passer à « *Terminer l'installation* ». Pour les installations en dehors du Canada, raccorder le conduit flexible au bornier.

Raccordement cosse/fil

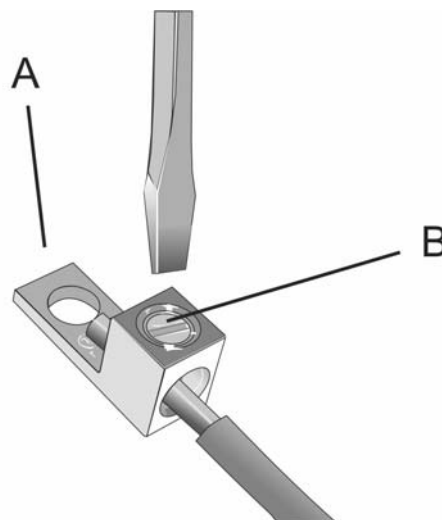
Chaque fois qu'un fil doit être relié à une cosse, effectuer les étapes suivantes :

1. Dénuder 3/8 po (9,5 mm) d'isolant de l'extrémité du fil.



2. Insérer l'extrémité dénudée du fil dans la cosse (voir A sur le schéma ci-dessous), puis serrer chaque vis de blocage (voir B sur le schéma ci-dessous) en serrant au couple approprié (voir le tableau).

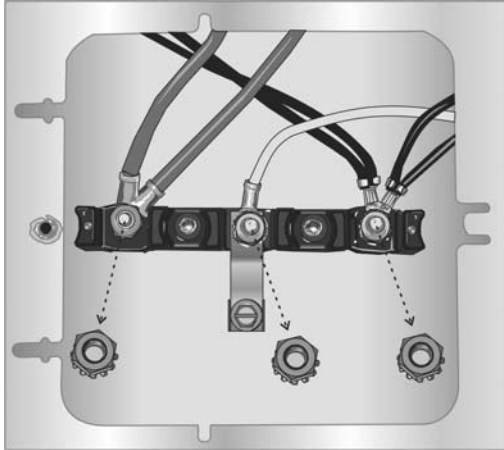
Calibre de fil	Couple (po/lb)	Couple (Nm)
6	35	3,95
8	25	2,82



Raccordement à 4 fils en conduit flexible

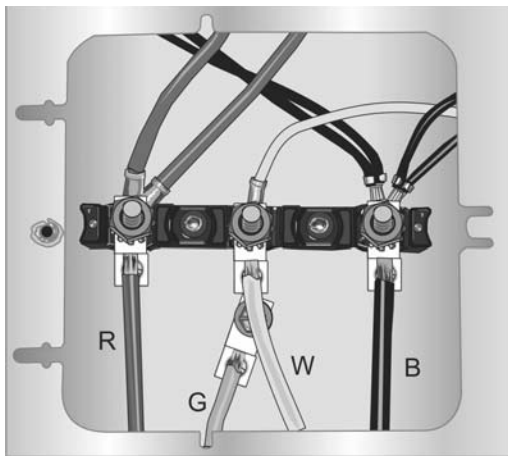
1. Débrancher le courant au niveau du boîtier de disjoncteurs.
2. Retirer le cache-bornes pour exposer le bornier.

- Retirer l'écrou supérieur (il comporte une rondelle frein) de chaque borne.



Remarque : NE PAS enlever le (la) deuxième écrou/rondelle sur chaque borne. Ceux-ci doivent rester à leur place pour pouvoir fixer les fils internes reliés au bornier.

- Retirer la vis de mise à la terre verte de l'extrémité inférieure du ruban de mise à la terre.
- Retirer le ruban de mise à la terre de la borne centrale sur le bornier. Le ruban ne sera pas nécessaire avec l'installation électrique en conduit flexible. Retirez-le de l'appareil.



- Connecter le fil de mise à la terre isolé (G) à une cosse (emballée avec le présent manuel) et fixer solidement la cosse au trou de mise à la terre à l'aide de la vis de mise à la terre verte. Serrer fermement la vis, mais ne pas trop serrer.
- Connecter le fil rouge (R) à une cosse et mettre la cosse en place sur la borne gauche. Remettre la vis/rondelle en place sur la borne et serrer au couple de serrage de 20 po/lb (2.26 nm).
- Connecter le fil noir (B) à une cosse et mettre la cosse en place sur la borne droite. Remettre la vis/rondelle en place sur la borne et serrer au couple de serrage de 20 po/lb (2.26 nm).

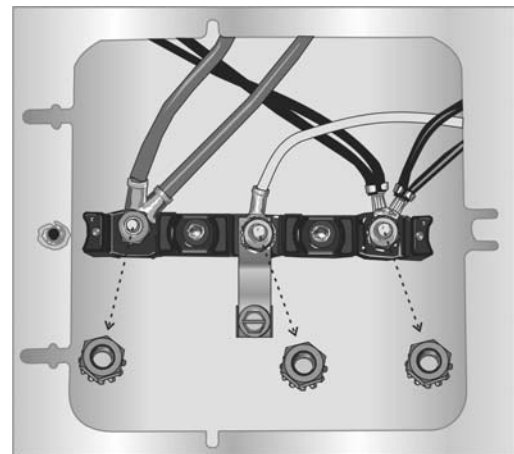
- Fixer solidement et correctement le conduit flexible au panneau amovible à l'angle et au côté alimentation de la boîte de jonction. Le câblage est maintenant terminé.

Remarque : NE PAS brancher le courant électrique à la cuisinière pour le moment.

Raccordement à 3 fils en conduit flexible

Un raccordement à 4 fils est préférable mais lorsque les codes et règlements locaux autorisent la mise à la terre via le neutre, et/ou là où la conversion à un raccordement à 4 fils est impossible à mettre en œuvre, l'appareil peut être raccordé à l'alimentation via une méthode de raccordement à 3 fils.

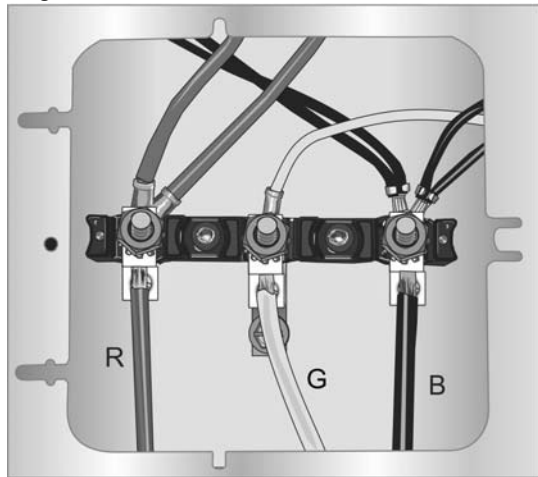
- Débrancher le courant au niveau du boîtier de disjoncteurs.
- Retirer le cache-bornes pour exposer le bornier.
- Retirer l'écrou supérieur, la rondelle en étoile et la rondelle plate de chaque cosse.



Remarque : NE PAS retirer la dernière rondelle plate, le dernier écrou ou les fils conducteurs internes.

- Connecter le fil rouge (R) à une cosse (emballée avec le présent manuel) et mettre la cosse en place sur la borne gauche. Remettre la vis/rondelle en place sur la borne et serrer au couple de serrage de 20 po/lb (2.26 nm).
- Connecter le fil noir (B) à une cosse et mettre la cosse en place sur la borne droite. Remettre la vis/rondelle en place sur la borne et serrer au couple de serrage de 20 po/lb (2.26 nm).
- Connecter le fil vert (G) à une cosse et mettre la cosse en place sur la borne centrale. Remettre la vis/rondelle en place sur la borne et serrer au couple de serrage de 20 po/lb (2.26 nm).

7. Fixer solidement et correctement le conduit flexible au panneau amovible sur la cuisinière et au côté de l'alimentation électrique de la boîte de jonction. Le câblage est maintenant terminé.



Remarque : NE PAS brancher le courant électrique à la cuisinière pour le moment.

Raccordement de l'alimentation de gaz

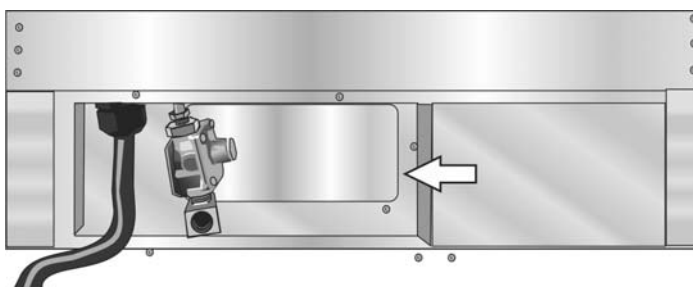
Remarque : Il est recommandé de confier les branchements de gaz de cet appareil uniquement à des personnes qualifiées.

Fermez la soupape d'alimentation principale en gaz avant de déconnecter l'ancienne cuisinière et laissez-la fermée tant que vous n'aurez pas terminé le nouveau raccordement. **N'oubliez pas de rallumer la veilleuse sur d'autres appareils à gaz lorsque vous rétablissez le gaz.**

La cuisinière peut être installée à l'aide d'un tuyau rigide ou d'un raccord en métal flexible pour appareil électroménager, homologué CSA pour un usage international. Si vous utilisez un raccord flexible, toujours veiller à ce qu'il soit neuf.

Pour éviter les fuites, appliquer une pâte à joints ou un ruban Teflon® approprié pour l'utilisation avec le GPL et le gaz naturel autour des filets de tuyaux mâles.

Le branchement du gaz se trouve sous le panneau arrière de la cuisinière. On y accède par le panneau d'accès du tiroir ou depuis l'arrière de la cuisinière. Pour atteindre le panneau d'accès, retirer le tiroir-réchaud.



Remarque importante pour les utilisateurs de gaz PL

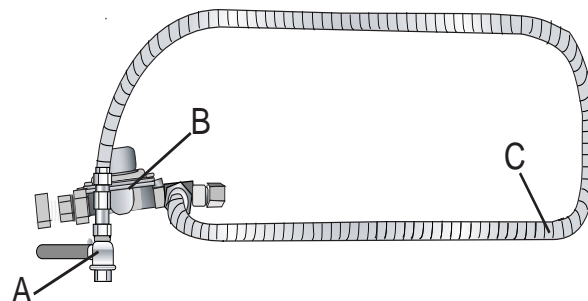
La cuisinière est réglée à sa sortie de l'usine pour fonctionner au gaz naturel. Pour utiliser le gaz propane (PL), votre cuisinière doit tout d'abord être convertie à l'aide du nécessaire de conversion au gaz PL livré avec la cuisinière. La conversion doit être effectuée par un technicien qualifié.

Méthode du raccord flexible

Si vous utilisez un tuyau rigide, passer à la section suivante « Méthode du raccord de tuyau rigide ».

Fixer le raccord

1. Installer un adaptateur évasé mâle de 1/2 po (12,7 mm) au filet interne de 1/2 po (12,7 mm) NPT de l'entrée de la cuisinière. Utiliser une clé sur le raccord coudé pour éviter les dommages.
2. Installer un adaptateur de raccord évasé mâle de 1/2 po (12,7 mm) ou de 3/4 po (19,05 mm) sur le filet interne du robinet d'arrêt manuel.
3. Brancher le connecteur d'appareil en métal flexible.

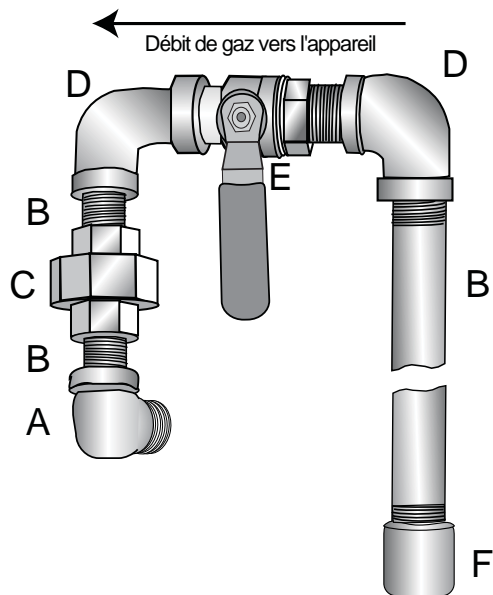


Article

A	Robinet d'arrêt de gaz
B	Régulateur
C	Raccord flexible

Méthode du raccord de tuyau rigide

Si vous utilisez un raccord flexible, revenez à la section « Méthode du raccord flexible ».



Article

A	Coude : brancher sur régulateur ici
B	Mamelon
C	Raccord
D	Coude
E	Robinet d'arrêt de gaz
F	Tuyau à gaz de 1/2 po (12,7 mm) à 3/4 po (19,05 mm)

La configuration de la connexion avec tuyau rigide varie selon l'emplacement de l'embout du tuyau de gaz.

Terminer le branchement du gaz

Connecter le tuyau à la cuisinière par le raccord. Accéder à la connexion par le panneau d'accès situé derrière le tiroir.

Le branchement du gaz est terminé. Il est important d'effectuer un test de fuite de gaz avant de passer aux étapes suivantes de l'installation.

Vérifier la présence de fuites de gaz

⚠ AVERTISSEMENT

Ne jamais vérifier la présence de fuites de gaz à l'aide d'une flamme.

La vérification doit être effectuée par l'installateur conformément aux instructions de cette section.

Remarque : Veiller à ne pas exercer de pression sur l'élément du tiroir-réchaud pendant les tests du tuyau rigide.

1. Ouvrir le gaz.
2. Appliquer un liquide de détection des fuites non corrosif. Inclure tous les joints et raccords entre le robinet d'arrêt et la cuisinière. Inclure les joints et raccords de gaz de la cuisinière si les connexions ont été perturbées pendant l'installation.
3. Vérifier la présence de fuites. Des bulles autour des raccords et connexions indiquent la présence d'une fuite.
4. S'il y a une fuite, fermer le robinet d'arrêt de gaz du tuyau d'alimentation et serrer les connexions.
5. Vérifier à nouveau la présence de fuites de gaz. Rétablir le gaz au robinet d'arrêt de la conduite d'alimentation en gaz et appliquer de nouveau le liquide de détection de fuite.
6. Lorsqu'il n'y a plus de bulles, le test est terminé. Essuyer tout résidu de liquide de détection.

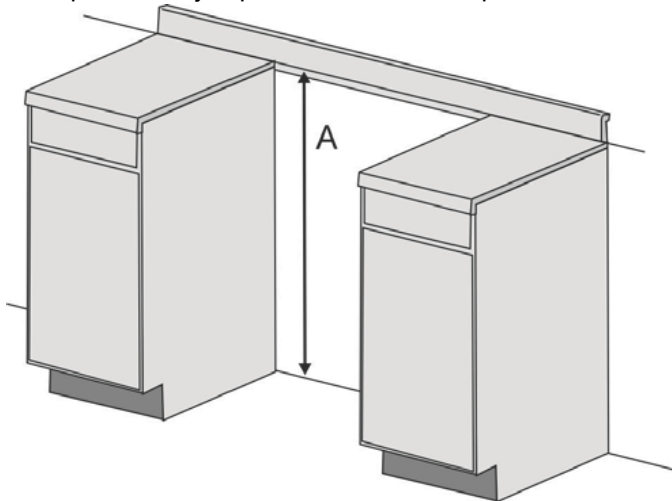
Ne pas passer à l'étape suivante tant que toutes les fuites ne sont pas éliminées.

Terminer l'installation

Ajuster les pieds de nivellement

1. S'assurer que le disjoncteur est déconnecté (OFF), puis brancher le cordon de la cuisinière dans la prise de courant.
2. Placer la cuisinière devant l'ouverture.

- Mesurer (A) le coin arrière gauche de l'ouverture depuis le sol jusqu'au dessus du comptoir.

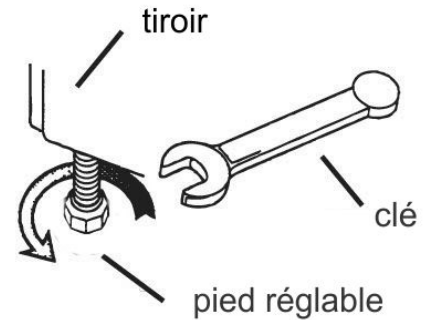


- Mesurer le coin arrière gauche de la cuisinière jusqu'à la partie inférieure de la table de cuisson (B). Régler le pied de nivellement jusqu'à ce que la hauteur obtenue soit la même que la dimension du coin.



- Répéter cette opération pour le coin arrière droit.
- Utiliser une clé de 1-1/4 po (32 mm) pour ajuster les pieds de nivellement de manière à ce que la hauteur mesurée depuis la partie inférieure de la table de

cuisson jusqu'au sol corresponde à la hauteur mesurée de la surface correspondante du comptoir.



Faire glisser la cuisinière dans l'ouverture

AVIS

Pour éviter tout risque d'endommagement de la porte du four de la cuisinière, ne pas soulever, pousser, ni tirer celle-ci par la poignée de la porte. Après avoir retiré la porte, passer la main à l'intérieur de la cavité du four, en haut, pour repérer une zone renflée près de la partie avant de celui-ci. Faire attention à ne pas toucher l'élément chauffant du four qui se trouve également sur la partie supérieure de la cavité du four, juste derrière la zone renflée.



Remarque : Il est recommandé de porter des gants et des manches longues pour protéger les mains et les avant-bras contre les écorchures et les éraflures possibles lors du soulèvement de l'appareil. Il est également recommandé d'enlever montres et bijoux et de porter des chaussures de travail pendant l'installation pour se protéger les pieds.

- Retirer la porte du four en suivant la procédure « Démontage de la porte du four », page 19 et soulever la cuisinière pour la retirer du socle d'emballage.
- Brancher le cordon d'alimentation.
- Mouiller le comptoir et le plancher au bas de l'ouverture avec de l'eau savonneuse.

Remarque : Nettoyer immédiatement l'eau savonneuse résiduelle après avoir fait coulisser la cuisinière pour la mettre en place.

4. Faire glisser la cuisinière dans l'ouverture en veillant à ne pas détériorer les comptoirs, les sols ou le devant de la porte ou du tiroir-réchaud de la cuisinière. Ne pas exercer de pression sur la table de cuisson en la faisant glisser pour la mettre en place. Veiller à ne pas plier le raccord électrique flexible.
5. Installer la porte du four en suivant la procédure « Remontage de la porte du four », page 21.

Vérifier l'arrière de la cuisinière pour s'assurer que l'installation est conforme

1. La table de cuisson doit reposer légèrement sur le comptoir.
2. Il ne doit y avoir aucun espace entre le comptoir et la table de cuisson; toutefois, le poids de la cuisinière ne doit pas reposer sur le comptoir. Regarder sous la cuisinière pour vérifier que les deux pieds arrière reposent solidement sur le sol. Vérifier également que le pied gauche de la cuisinière est retenu par le support antibasculement.

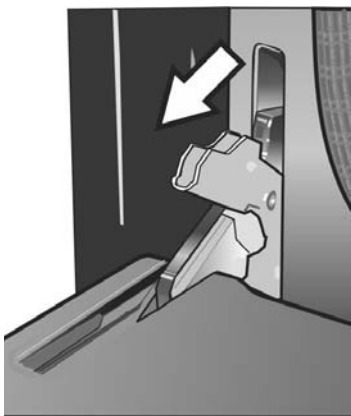
Démontage/Remontage de la porte du four et du tiroir-réchaud

Démontage de la porte du four

▲ AVERTISSEMENT

Lors du démontage de la porte du four :

- Avant de démonter la porte, s'assurer que le four est froid et que le courant qui l'alimente a été coupé. Le non-respect de cette précaution pourrait entraîner un choc électrique ou des brûlures.
 - La porte du four est lourde et certaines parties sont fragiles. Utiliser les deux mains pour l'enlever. Le devant de la porte est en verre. À manipuler avec précaution pour éviter les cassures.
 - Saisir uniquement les côtés de la porte. Ne pas saisir la poignée, car elle peut pivoter dans la main et causer des dommages ou des blessures.
 - Si la porte du four n'est pas saisie fermement et correctement, il y a un risque de lésion corporelle ou de dommage au produit.
 - Pour éviter toute blessure causée par l'enclenchement soudain du support de charnière, s'assurer que les deux leviers sont bien enclenchés avant d'enlever la porte. En outre, ne pas forcer la porte pour l'ouvrir ou la fermer car la charnière risque de s'abîmer et vous pourriez vous blesser.
 - Après avoir démonté la porte, ne pas la poser sur des objets acérés ou pointus car ceux-ci risquent de briser la vitre. Disposer la porte sur une surface plane et lisse afin qu'elle ne risque pas de tomber.
-



Pour prévenir les blessures ou les dommages, veiller à lire L'AVERTISSEMENT ci-dessus avant de tenter de démonter la porte du four.

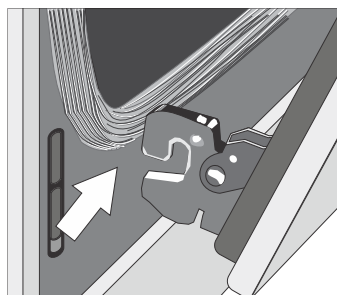
1. Ouvrir complètement la porte du four jusqu'à ce qu'elle soit à l'horizontale.
2. Basculer les leviers des charnières vers soi.

Remarque : Il est parfois nécessaire d'utiliser un outil, tel un tournevis, pour forcer délicatement la partie supérieure du levier pour dégager celui-ci du bâti. Faire attention à ne pas rayer le bâti.

3. Abaissez complètement les deux leviers de charnière de la porte comme le montre l'illustration. Les leviers de charnières gauche et droit de la porte peuvent être légèrement différents mais fonctionnent de la même manière.



4. Fermer la porte du four jusqu'à ce qu'elle s'accroche sur les leviers d'arrêt des charnières, en bloquant les charnières à l'angle adéquat afin de pouvoir retirer la porte. La porte sera ouverte d'environ 7 po (17,8 cm) sur la partie supérieure. Ceci a pour effet d'éliminer la tension des ressorts exercée sur les charnières ce qui permet de soulever aisément la porte.

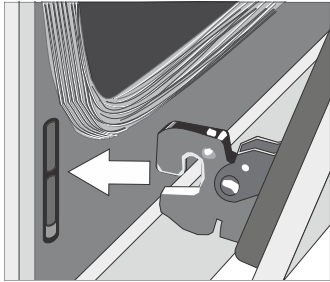


5. La porte est lourde. Saisir la porte fermement à deux mains en la prenant par les côtés. Ne pas saisir la porte par la poignée. Tout en conservant l'angle de la porte, soulever celle-ci vers le haut d'environ 3/4 po (1,9 cm) pour décrocher les charnières des logements, puis tirer la porte vers vous jusqu'à ce que les charnières se dégagent du bâti du four.

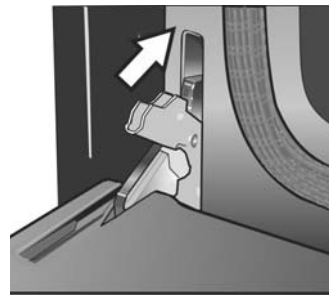


6. Placer la porte sur une surface facilement accessible et stable jusqu'à ce que vous soyez prêt(e) à la remettre en place. Poser la porte sur une serviette ou une section de rembourrage de protection en mousse pour éviter d'endommager la porte ou le sol.

Remontage de la porte du four



1. Maintenir la porte fermement avec les deux mains en l'ayant saisie par les côtés et non pas par la poignée.
2. Incliner légèrement la porte vers vous jusqu'à ce qu'elle s'ouvre en sa partie supérieure d'environ 7 po (17,7 cm).
3. Faire glisser les charnières dans les logements aussi loin que possible, puis abaisser la porte tout droit vers le bas. L'angle que forme la porte devra éventuellement être légèrement ajusté pour permettre aux charnières de s'engager correctement et à la porte de se mettre en place lorsqu'elle est abaissée. La porte doit s'abaisser d'environ 3/4 po (1,9 cm) et s'arrêter. Si cela n'est pas le cas, les charnières ne se sont pas correctement engagées et la porte pourrait tomber une fois lâchée.
4. Une fois les deux charnières complètement engagées comme décrit à l'étape 3, ouvrez entièrement la porte avec précaution.

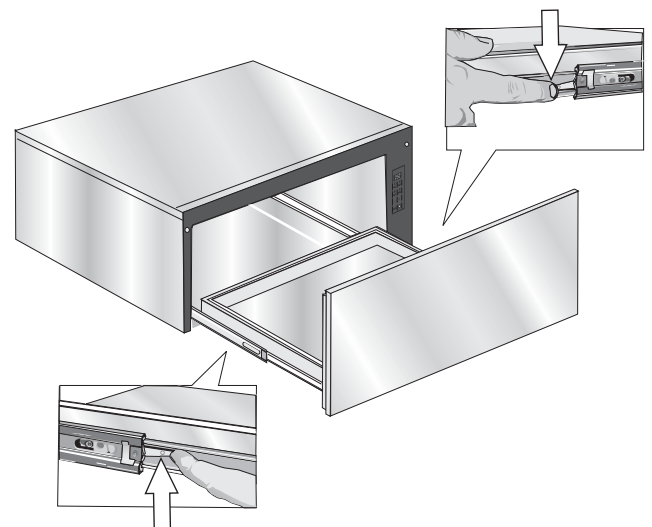


5. Poussez les leviers sur les deux charnières vers le haut jusqu'à ce qu'ils soient bloqués dans le logement en affleurement de la partie avant du bâti du four.
6. Fermer et ouvrir la porte lentement pour s'assurer qu'elle est correctement et solidement installée.

Démontage du tiroir-réchaud

⚠ ATTENTION

Pour éviter le risque de brûlure, ne pas enlever le tiroir alors qu'il est chaud. S'assurer que le tiroir est vide avant de le retirer.



Pièces

- | | |
|---|-------------------|
| 1 | Bâti |
| 2 | Tiroir |
| 3 | Glissière du bâti |
| 4 | Rail du tiroir |

1. Tirer sur le tiroir jusqu'à son ouverture complète.
2. Appuyer sur l'agrafe droite du tiroir.
3. Relever l'agrafe gauche du tiroir.
4. Tirer fermement le tiroir d'un coup sec.
5. Rentrer les glissières du bâti une fois le tiroir retiré.

Remontage du tiroir-réchaud

1. Veiller à enfoncer les glissières du bâti à l'intérieur de celui-ci.
2. Aligner les rails du tiroir avec les glissières du bâti montées sur le bâti du tiroir.
3. Enfoncer fermement le tiroir à l'intérieur du logement jusqu'à ce qu'il se mette en place avec un déclic.
Remarque : Le tiroir est équipé d'un mécanisme d'ouverture à pression « push-to-open ». Il suffit d'exercer une légère pression sur la face avant inférieure du tiroir, au centre, pour qu'il s'ouvre automatiquement.
4. Ouvrir et fermer le tiroir pour en tester le fonctionnement. **Remarque** : Si le tiroir ne se ferme pas, vérifier que les rails du tiroir sont correctement alignés sur les glissières du bâti et que les leviers de dégagement des rails sont dans la position correcte.

Tests de fonctionnement

Faire un essai sur un mode du four

1. Remettre en service l'alimentation électrique au niveau du disjoncteur.
2. Faire un essai sur un mode du four.
Sélectionner le mode **CUISSON**. Voir le Guide d'utilisation et d'entretien pour des consignes d'exploitation détaillées.
3. Vérifier que l'éclairage du four s'allume et que le four commence à préchauffer.
4. Tester le verrou de la porte.
Régler le mode **NETTOYAGE AUTO**. Confirmer que la porte est verrouillée lorsque l'icône représentant un verrou apparaît sur l'affichage.
5. Si l'un des tests ne donne pas les résultats escomptés, comme indiqué ci-dessus, contacter le service de dépannage de Bosch pour obtenir de l'aide. Sinon, continuer à tester les brûleurs de la surface de cuisson.

Test des brûleurs de la cuisinière

Chaque brûleur doit être testé pour vérifier le bon fonctionnement de l'allumage, les caractéristiques appropriées de la flamme à faible intensité et les caractéristiques appropriées de la flamme à haute intensité.

Tester le bon fonctionnement de l'allumage :

1. Enfoncer et tourner le bouton vers le symbole de flamme.

2. Vérifier que le module allumeur/à étincelles fait des bruits de cliquetis.
3. Une fois que l'air a été purgé des tuyaux d'alimentation, vérifiez que le brûleur s'allume dans un délai de quatre (4) secondes. Une fois le brûleur allumé, tourner le bouton dans la position désactivée (OFF).
4. Tester chaque brûleur de la cuisinière de la même manière. Appeler un service de dépannage si un brûleur quelconque ne s'allume pas.

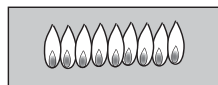
Tester les caractéristiques de la flamme à faible intensité

1. Enfoncer et tourner le bouton vers le symbole de flamme jusqu'à ce que le brûleur s'allume.
2. Régler rapidement le bouton sur faible intensité.
3. Vérifier que la flamme comporte les caractéristiques suivantes :
 - Une hauteur minimum (environ 1/4 po ou 6 mm).
 - Stable (la flamme ne doit pas s'éteindre, se soulever ou disparaître du brûleur. Elle doit se propager ou entourer entièrement le brûleur.)
 - Avoir la couleur appropriée. Elle doit être bleue avec un cône intérieur et extérieur. Pour de plus amples informations, voir le tableau suivant « *Caractéristiques de la flamme* ».
4. Tester chaque brûleur de la cuisinière de la même manière. Si une flamme s'éteint, si elle ne se propage pas bien ou si elle est trop grande, veuillez communiquer avec le service de dépannage de Bosch.

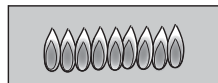
Tester les caractéristiques de la flamme à haute intensité :

1. Enfoncer et tourner le bouton vers le symbole de flamme jusqu'à ce que le brûleur s'allume.
2. Régler le bouton sur haute intensité.
3. Vérifier que la flamme comporte les caractéristiques suivantes :
 - Stable (la flamme ne doit pas s'éteindre, se soulever ou disparaître du brûleur. Elle doit se propager ou entourer entièrement le brûleur.)
 - Avoir la couleur appropriée. Elle doit être bleue avec un cône intérieur et extérieur. Pour de plus amples informations, voir le tableau suivant « *Caractéristiques de la flamme* ».
4. Tester chaque brûleur de la cuisinière de la même manière. Si la flamme est jaune et ne se propage pas bien, veuillez communiquer avec le service de dépannage.

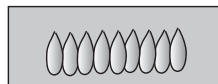
Caractéristiques de la flamme



Flammes jaunes :
Réglage supplémentaire requis.



Pointes jaunes au niveau des cônes extérieurs :
Normal pour du gaz PL.



Douces flammes bleues :
Normal pour du gaz naturel.

Si la flamme est entièrement jaune ou presque, vérifier que le régulateur est réglé pour le combustible approprié. Après le réglage, refaire le test.

Il est normal que la flamme présente des raies jaunes pendant la mise en marche initiale. Laisser l'appareil fonctionner pendant 4 à 5 minutes et vérifier de nouveau.

Lorsque la couleur, la propagation et la taille de la flamme sont vérifiés, le test du brûleur est terminé.

Si l'un des tests ne donne pas les résultats escomptés, comme indiqué ci-dessus, contacter le service de dépannage de Bosch pour obtenir de l'aide. Autrement, l'installation est maintenant terminée.

Dépannage

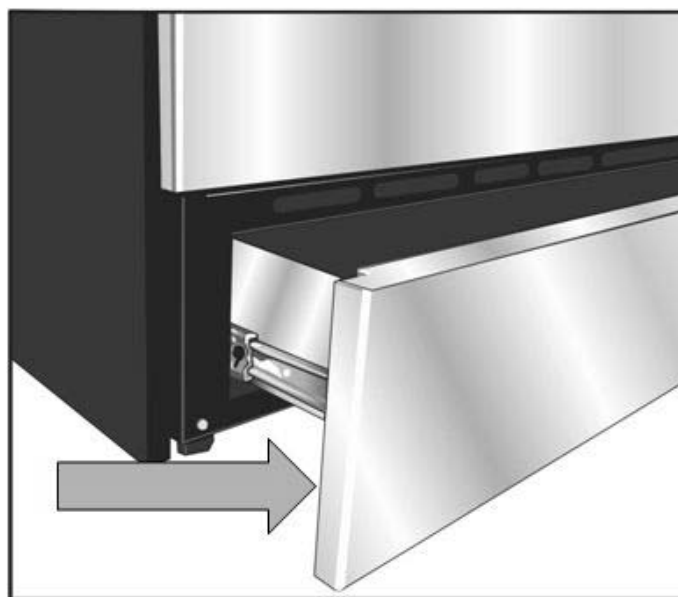
Avant d'appeler le service de dépannage

Voir le Guide d'utilisation et d'entretien pour obtenir des informations concernant le dépannage. Consulter l'énoncé de garantie limitée figurant dans le Guide d'utilisation et d'entretien.

Pour contacter un technicien de dépannage, consultez les coordonnées sur la couverture avant du manuel. Lorsque vous téléphonez, soyez prêt à fournir les informations imprimées sur la plaque signalétique de votre produit.

Plaque signalétique

La plaque signalétique comporte le numéro de modèle et le numéro de série. Se reporter à la plaque signalétique de l'appareil électroménager pour faire une demande de dépannage. La plaque signalétique se trouve au dos de la façade du tiroir. Ouvrez le tiroir pour la voir.



Índice

Definiciones de seguridad	1	Modelos de dos combustibles	6
LEA TODAS LAS INSTRUCCIONES ANTES DE UTILIZAR ESTE ELECTRODOMÉSTICO	2	Ubicación de la toma de corriente y de la conexión de gas	7
Seguridad del gas	2	Requisitos de gabinetes	8
Instalación de gas propano	2	Instalación de la ventilación	8
Seguridad con el manejo del electrodoméstico	3	Espacio libre requerido	8
Cómo desechar los materiales de embalaje	3	Cómo evitar obstruir el flujo de aire	9
Códigos y normas de seguridad	3	Preparación de las paredes y del piso	9
Lugar de instalación	3	Requisitos de la superficie de trabajo	9
Seguridad de los niños	3	Cómo retirar el embalaje	9
Seguridad con la electricidad	3	Procedimiento de instalación	10
Seguridad del equipo relacionado	4	Instalación del soporte anticaídas	10
Conversión a gas licuado de petróleo	4	Conexión eléctrica	10
Instalación a altas altitudes	4	Estufas de dos combustibles: conexión del cable de la estufa eléctrica	10
Preparación	5	Conexión del conducto flexible eléctrico	13
Antes de comenzar	5	Conexión del suministro de gas	15
Herramientas y piezas necesarias	5	Complete la conexión de gas	16
Piezas incluidas	5	Cómo completar la instalación	16
Piezas adicionales necesarias para instalaciones con conexión alámbrica	5	Cómo retirar/volver a colocar la puerta del horno y el cajón calentador	18
Retire el embalaje	5	Cómo retirar la puerta del horno	18
Lista de verificación de instalación	5	Cómo volver a colocar la puerta del horno	20
Información general	6	Cómo retirar el cajón calentador	20
Dimensiones totales	6	Cómo volver a colocar el cajón calentador	21
Ubicación nivelada y a plomo	6	Prueba de funcionamiento	21
Consejos de instalación	6	Pruebe el horno	21
Requisitos eléctricos	6	Prueba de las hornillas de la parte superior de la estufa	21
Modelos de gas	6		

Este electrodoméstico de Bosch es fabricado por
BSH Home Appliances Corporation
1901 Main Street, Suite 600
Irvine, CA 92614

¿Tiene preguntas?

1-800-944-2904

www.bosch-home.com/us

¡Esperamos recibir sus comentarios!

Servicio técnico 22

Antes de llamar al servicio técnico 22

Placa de datos 22

Definiciones de seguridad

⚠ ADVERTENCIA

Esto indica que pueden producirse la muerte o lesiones graves como resultado de la falta de cumplimiento de esta advertencia.

⚠ PRECAUCIÓN

Esto indica que pueden producirse lesiones menores o moderadas como resultado de la falta de cumplimiento de esta advertencia.

AVISO: Esto indica que pueden producirse daños al electrodoméstico o a materiales como resultado de la falta de cumplimiento de esta recomendación.

Nota: Esto le avisa sobre información y/o consejos importantes.

ADVERTENCIA:

Si no sigue la información de este manual exactamente, pueden ocurrir un incendio o una explosión que pueden causar daños materiales, lesiones personales o la muerte.

- **No almacene ni utilice materiales combustibles, gasolina ni otros vapores y líquidos inflamables cerca de este electrodoméstico ni de cualquier otro.**
- **QUÉ DEBE HACER SI SIENTE OLOR A GAS**
 - **No intente encender ningún electrodoméstico.**
 - **No toque ningún interruptor eléctrico.**
 - **No use ningún teléfono en su edificio.**
 - **Llame inmediatamente a su proveedor de gas desde el teléfono de un vecino. Siga las instrucciones del proveedor de gas.**
 - **Si no puede comunicarse con su proveedor de gas, llame al departamento de bomberos.**
- **La instalación y el servicio técnico deben ser realizados por un instalador calificado, una agencia de servicio técnico autorizada o el proveedor de gas.**

INSTALADOR: DEJE ESTAS INSTRUCCIONES CON EL ELECTRODOMÉSTICO CUANDO HAYA FINALIZADO LA INSTALACIÓN.
IMPORTANTE: GUÁRDELAS PARA USO DEL INSPECTOR LOCAL.

▲ ADVERTENCIA

Si no sigue exactamente la información de este manual, pueden ocurrir un incendio o una explosión que pueden causar daños materiales o lesiones personales.

LEA TODAS LAS INSTRUCCIONES ANTES DE UTILIZAR ESTE ELECTRODOMÉSTICO

- Nota para la instalación a altas altitudes: Para obtener información sobre instalaciones a altas altitudes, consulte a Servicio al cliente.
- Para instalaciones en Massachusetts:
 - La instalación debe ser realizada por un contratista calificado o con licencia, un plomero o gasista calificado o con licencia otorgada por el estado, la provincia o la región donde se instale este electrodoméstico.
 - La válvula de paso debe tener una llave de gas con mango en "T".
 - El conector de gas flexible no debe medir más de 36 pulgadas.
- Instalador: muestre al propietario del electrodoméstico la ubicación de la válvula de paso de gas.

Seguridad del gas

El instalador debe verificar que no haya fugas según las instrucciones de este manual.

El electrodoméstico y su válvula de paso individual deben estar desconectados del sistema de tuberías de suministro de gas durante cualquier prueba de presión de ese sistema con presiones de prueba superiores a 1/2 psi (3.5 kPa).

Instalación de gas propano

- El tanque de gas propano debe estar equipado con su propio regulador de alta presión. Además, se debe usar el regulador suministrado con esta unidad.

El electrodoméstico es enviado de fábrica para uso con gas natural. Debe convertirse para utilizar propano. La conversión debe estar a cargo de un técnico o instalador calificado.

▲ ADVERTENCIA

¡PELIGRO DE CAÍDA!

Un niño o un adulto pueden hacer caer la estufa y morir. Verifique que el soporte anticaídas esté instalado firmemente. Asegúrese de que el soporte anticaídas esté enganchado al mover la estufa a una nueva ubicación.



No utilice la estufa si el soporte anticaídas no está en su lugar. Si no se siguen las instrucciones incluidas en este manual, podrían producirse quemaduras graves o la muerte en niños y adultos.

Verifique la instalación y el uso adecuados del soporte anticaídas. Con cuidado, incline la estufa hacia adelante jalando desde la parte trasera, a fin de asegurarse de que el soporte anticaídas esté enganchado en la pata de la estufa y evite las caídas. La estufa no debe moverse más de 1 pulg. (2.5 cm).

▲ ADVERTENCIA

No repare ni vuelva a colocar ninguna parte del electrodoméstico, a menos que se recomiende específicamente en los manuales. La instalación, el servicio técnico o el mantenimiento incorrectos pueden causar lesiones o daños materiales. Consulte este manual para su orientación. Cualquier otro tipo de reparación debe ser realizada por un técnico calificado.

- **Pídale a su distribuidor que le recomiende un técnico calificado y un servicio técnico de reparación autorizado.**
 - **Instálela únicamente conforme a las instrucciones de instalación que se proporcionan en el paquete de material impreso que se incluye junto con esta estufa.**
 - **Nunca modifique ni altere la construcción de la estufa, entre lo que se incluye retirar patas niveladoras, paneles, cubiertas de alambres, soportes o tornillos anticaídas, o cualquier otra pieza del electrodoméstico.**
-

Seguridad con el manejo del electrodoméstico

▲ PRECAUCIÓN

- La unidad es pesada y se requieren, al menos, dos personas o un equipo adecuado para trasladarla.
- Las superficies ocultas pueden tener bordes filosos. Proceda con cuidado al intentar tomar el electrodoméstico por la parte trasera o desde abajo.
- No utilice el horno ni el cajón calentador (si viene equipado) para almacenar objetos.

No levante el electrodoméstico desde el mango de la puerta del horno. Retire la puerta del horno para que sean más fáciles la manipulación y la instalación. Consulte la sección “Cómo retirar/volver a colocar la puerta del horno y el cajón calentador” en la página 18.

▲ PRECAUCIÓN

Use guantes para evitar cortarse los dedos con bordes filosos durante la instalación.

Cómo desechar los materiales de embalaje

Retire toda la cinta y el embalaje antes de usar la estufa. Destruya el cartón y las bolsas de plástico después de desembalar la estufa. Nunca deje que los niños jueguen con los materiales de embalaje.

Códigos y normas de seguridad

Este electrodoméstico cumple con una o más de las siguientes normas:

- UL 858: Estufas eléctricas de uso doméstico (Household Electric Ranges)
- CAN/CSA-C22.2 n.º 61: Estufas para cocinar de uso doméstico
- ANSI Z21.1b-2012 Electrodomésticos de gas para cocinar de uso doméstico

Es responsabilidad del propietario y del instalador determinar si corresponden requisitos adicionales, como códigos y/o normas locales, a la instalación específica. En caso de que no haya códigos locales, la instalación debe realizarse de conformidad con el Código Nacional de Combustible, ANSI Z223.1/NFPA54.

Lugar de instalación

Para eliminar el riesgo de quemaduras o incendio al tocar las unidades de superficie calentadas, se debe evitar dejar espacio de almacenamiento en gabinetes sobre las unidades de superficie. En el caso de que haya almacenamiento en gabinetes, se puede reducir el riesgo instalando una campana que se proyecte horizontalmente 5 pulg. (12.7 cm), como mínimo, desde la parte inferior del gabinete.

Verifique que los gabinetes que se encuentran arriba de la placa tengan, como máximo, 13 pulg. (330 mm) de profundidad.

▲ ADVERTENCIA

NUNCA cubra ninguna ranura, ningún orificio ni ningún canal en la base del horno, ni cubra una rejilla completa con materiales, como papel de aluminio. Hacerlo bloquea el flujo de aire a través del horno y puede ocasionar intoxicación por monóxido de carbono. Los revestimientos de papel de aluminio también pueden atrapar calor, lo que ocasiona un peligro de incendio.

Seguridad de los niños

No almacene objetos de interés para niños en los gabinetes que se encuentran sobre la estufa ni en la placa antisalpicaduras de una estufa. Si los niños se suben a la estufa para alcanzar estos objetos, podrían sufrir lesiones graves.

Seguridad con la electricidad

Antes de enchufar un cable eléctrico, asegúrese de que todos los controles estén en la posición OFF (Apagado).

Asegúrese de que su electrodoméstico sea instalado y conectado a tierra en forma adecuada por un técnico calificado de acuerdo con la última edición del Código Eléctrico Nacional (National Electrical Code), ANSI/NFPA 70 y los requisitos del código eléctrico local.

Los códigos locales varían. La instalación, las conexiones eléctricas y la conexión a tierra deben cumplir con todos los códigos correspondientes.

Para los electrodomésticos equipados con cable y enchufe, no corte ni retire la espiga de conexión a tierra. Debe enchufarse en un receptáculo de conexión a tierra compatible para evitar la descarga eléctrica. Si el cliente tiene alguna duda respecto de si el receptáculo de pared está correctamente conectado a tierra, debe solicitar la verificación de un electricista calificado.

Si lo requiere el Código Nacional Eléctrico (National Electrical Code) (o Código Eléctrico Canadiense [Canadian

Electrical Code]), este electrodoméstico debe instalarse en un circuito derivado por separado.

Únicamente se utilizará un kit de cable de alimentación eléctrica clasificado para este electrodoméstico y marcado "para uso con estufas".

Instalador: muestre al propietario la ubicación del disyuntor o del fusible. Márquela para identificarla más fácilmente.

Importante: conserve estas instrucciones para el uso por el inspector de electricidad local.

Antes de realizar la instalación, apague la alimentación eléctrica en el panel de servicio. Trabe el panel de servicio para impedir que se encienda accidentalmente la alimentación eléctrica.

Consulte la placa de datos para obtener más información. Consulte "Placa de datos" en la sección "Servicio técnico" para conocer la ubicación de la placa de datos.

Seguridad del equipo relacionado

Nunca modifique ni altere la construcción del electrodoméstico. Por ejemplo, no retire las patas niveladoras, los paneles, las cubiertas de cables ni los soportes/tornillos anticaídas.

⚠ ADVERTENCIA

Advertencias de la Propuesta 65 del Estado de California:

Este producto contiene productos químicos que el estado de California sabe causan cáncer, defectos congénitos u otros daños reproductivos.

IMPORTANTE AVISO DE SEGURIDAD: La Ley de Aplicación de la Reglamentación sobre Agua Potable Segura y Sustancias Tóxicas de California (California Safe Drinking and Toxic Enforcement Act) exige al Gobernador de California que publique una lista de sustancias que el estado sabe que causan cáncer, defectos congénitos u otros daños reproductivos, y exige a las empresas que adviertan a los clientes de la posible exposición a dichas sustancias.

Conversión a gas licuado de petróleo

⚠ ADVERTENCIA

Pueden producirse lesiones personales o la muerte por descarga eléctrica si la estufa no es instalada por un instalador o un electricista calificados.

Cualquier adición, cambio o conversión requeridos para que este electrodoméstico cumpla satisfactoriamente las necesidades del electrodoméstico deben ser realizados por un técnico calificado.

Su modelo de estufa de gas está diseñado para permitir la conversión a LP por parte de un técnico de servicio calificado. Antes de instalar el kit, asegúrese de seguir cuidadosamente las Instrucciones de instalación para la conversión a LP.

Instalación a altas altitudes

Comuníquese con el servicio técnico para usar el electrodoméstico en altitudes mayores que 2,000 pies (610 m).

Preparación

Antes de comenzar

Herramientas y piezas necesarias

- Solo modelos de dos combustibles: kit de cable de alimentación eléctrica de 40 o 50 A con protección para cables (según el código local).
Nota: No es necesario para instalaciones canadienses; el cable se preinstala en la fábrica.
- Cinta métrica
- Destornillador con cabeza Phillips
- Llave de 1 1/4 pulg.
- Lápiz
- Destornillador Torx T-20
- Tornillos (2) y anclajes (2) para el soporte anticaídas (el estilo variará según la superficie de montaje)
- Nivel
- Taladro y broca de taladro (broca para mampostería de 3/16 pulg. para tornillos para hormigón)
- Agua jabonosa
- Guantes y gafas de seguridad
- Paño o cartón (opcionales; para proteger el piso)
- Llave de cadena
- Cinta de teflón aprobada para gas
- Pinzas con ajuste
- Solución de prueba para fugas de gas
- Línea de suministro de gas (NPT de 1/2 pulg. como mínimo)
- Válvula de paso de gas

Piezas incluidas

- Soporte anticaídas
- 2 tornillos para madera
- 2 tornillos para hormigón sin ancla
- Orejetas terminales (para usar en instalaciones con conexión alámbrica)
Nota: Las orejetas terminales no son necesarias para las instalaciones canadienses.

Piezas adicionales necesarias para instalaciones con conexión alámbrica

Solo modelos de dos combustibles

- Conducto flexible
- Llave de apriete

Nota: El kit de cable de alimentación eléctrica no es necesario para las instalaciones con conexión alámbrica.

Retire el embalaje

- Si hay correas, corte las correas.
- Corte el plástico en la parte posterior inferior de la unidad, asegurándose de no cortar la unidad.
- Retire la película de plástico.
- Levante el cartón por encima de la parte superior de la unidad y retírelo de la unidad.
- Retire los postes de cartón de las esquinas, asegurándose de retirar también todos los postes u otros materiales de embalaje que se encuentren entre los postes de las esquinas.
- Retire todo el embalaje interno y toda la cinta.

Lista de verificación de instalación

Consulte las páginas siguientes para obtener instrucciones de instalación completas. Utilice esta lista de verificación para controlar que haya completado cada paso del proceso de instalación. Esto puede ayudarlo a evitar errores.

- ___ 1. Antes de instalar la estufa, asegúrese de controlar que las dimensiones del gabinete sean adecuadas para su unidad y que se hayan realizado las conexiones eléctricas y de gas requeridas.
- ___ 2. Consulte el manual de instalación para obtener información sobre Seguridad, Dimensiones del gabinete, Cómo retirar el embalaje, Instalación eléctrica, Conexión de gas, Cómo probar la instalación y Servicio al cliente.
- ___ 3. Retirar la puerta del horno y el cajón calentador antes de la instalación reduce el peso de la unidad y hace que la estufa sea más fácil de mover. Además, retirar la puerta del horno proporciona acceso al asidero a fin de levantarla.

- ___ 4. Mueva la estufa y colóquela en su lugar delante de la abertura de instalación, y deje la parte inferior del embalaje en la unidad para evitar dañar el piso.
- ___ 5. Enchufe la estufa en un receptáculo configurado en forma adecuada.
- ___ 6. Proteja el piso de daños; luego, deslice la unidad por completo hasta su lugar y asegúrese de direccionar el cable de alimentación en forma correcta.
- ___ 7. Reinstale la puerta del horno y el cajón calentador que retiró en el paso 3 anterior.
- ___ 8. Consulte las instrucciones de instalación completas y siga el resto de los procedimientos mencionados, incluida la realización de una prueba de funcionamiento.

Información general

Dimensiones totales

Dimensión	Pulgadas	Centímetros
Altura	36½ - 38 pulg.	92.7 - 96.6 cm
Ancho	31½ pulg.	80 cm
Profundidad	26¾ pulg.	68.1 cm

Ubicación nivelada y a plomo

Para obtener mejores resultados, los gabinetes, las superficies de trabajo, las paredes y los pisos de la ubicación de instalación deben estar lo más nivelados y a plomo posible. Las irregularidades pueden causar daños a las superficies de trabajo y pueden tener un efecto adverso sobre el rendimiento de la cocción y del horneado.

Consejos de instalación

Para hacer que la estufa sea más liviana y más fácil de manipular durante la instalación, retire la puerta del horno de la estufa (consulte la sección acerca de cómo retirar/ volver a instalar la puerta y el cajón calentador).

Si no se retira el cajón calentador, la cinta se debe colocar firmemente en el cajón calentador antes de la instalación para evitar que se abra mientras se instala la estufa.

Coloque un trozo de cartón o paño debajo de la estufa durante la instalación para proteger los pisos.

Requisitos de gas

▲ ADVERTENCIA

Asegúrese de que la válvula de paso de gas y todos los controles de las hornillas estén en la posición OFF (Apagado) antes de empezar.

Cierre la válvula de suministro de gas principal antes de desconectar la estufa anterior y manténgala cerrada hasta que se haya completado la nueva conexión. No olvide volver a prender el piloto, si corresponde, en los otros electrodomésticos de gas cuando vuelva a encender el gas.

Requisitos eléctricos

Consulte la placa de datos para obtener más información. Consulte la "Placa de datos" del producto en la sección sobre Servicio técnico en este manual.

Modelos de gas

Se requieren 120 voltios, 15 A como mínimo y 60 Hz. En la fábrica se instala el cable de alimentación de 120 voltios en las estufas de gas.

Modelos de dos combustibles

Recomendamos instalar la estufa con un conjunto de cable de alimentación (no suministrado con modelos de EE. UU.). La capacidad nominal eléctrica del conjunto de cable de alimentación debe ser de 120/240 V, con un mínimo de 30 amperios. El conjunto de cable de alimentación debe tener la marca "Para uso con estufas" Siempre use un nuevo cable de alimentación.

Verifique que el cableado a la casa sea adecuado. Comuníquese con su compañía de servicios públicos local para verificar que el servicio eléctrico actual a su hogar sea adecuado. En algunas instancias, debe aumentarse el tamaño del cableado a la casa y del interruptor de servicio para manejar la carga eléctrica que necesita la estufa.

Algunos códigos de cableado requieren un circuito separado con interruptores de desconexión y fusibles por separado, ya sea en el panel principal de entrada o en una caja de interruptores y fusibles por separado.

La estufa requiere un mínimo de un circuito de tres alambres de 120/240 o 120/208 V, 25 o 30 A, 60 Hz, CA. Verifique los códigos locales para obtener información sobre capacidades nominales de amperaje adecuadas. Se prefiere una conexión de cuatro alambres. La mayoría de las reglamentaciones y los códigos de edificación locales requieren que el cableado eléctrico sea realizado por electricistas con licencia. Asegúrese de instalar su estufa de acuerdo con los códigos eléctricos de su región.

Capacidad nominal eléctrica de kW

Las estufas tienen una capacidad nominal doble para utilizar con 120/240 V CA o 120/208 V CA. Verifique la placa de datos para obtener información sobre la capacidad nominal de kW. Consulte la capacidad nominal de kW que se encuentra en la tabla a continuación para determinar los requisitos de amperaje.

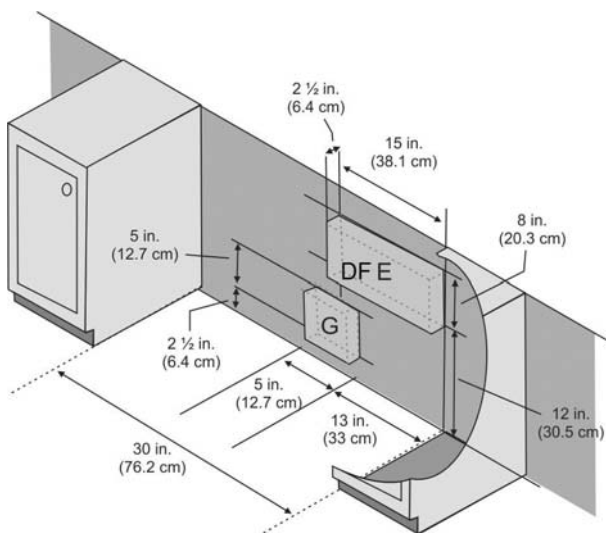
VOLTIOS CA	HZ	CAPACIDAD NOMINAL KW	DISYUNTOR
120/240	60	6.4	30 A*
120/208	60	4.8	25 A*

* Varía por ubicación. Verifique los códigos locales.

Ubicación de la toma de corriente y de la conexión de gas

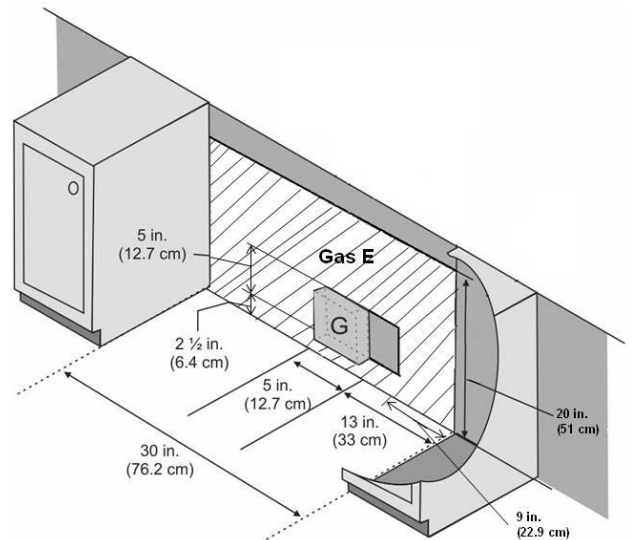
Modelos de dos combustibles: Se requiere una toma de corriente de circuito dedicado de 208/240 V CA y montaje a ras. Utilice el diagrama que se encuentra a continuación para asegurarse de que su instalación esté correctamente preparada para la estufa. Observe que el espacio disponible para la toma de corriente se muestra en el casillero gris (DF E) en la siguiente ilustración.

Se accede a la conexión de gas retirando el cajón calentador. El espacio disponible para la conexión de gas se muestra en el casillero gris (G) en la siguiente ilustración.



Modelos de gas: El cable de alimentación y la toma de corriente son de 120 V CA. Use el siguiente diagrama para asegurarse de que su área de instalación esté correctamente preparada para la estufa. Observe que el espacio disponible para la toma de corriente (con montaje a ras) se muestra en el casillero gris (Gas E) en la siguiente ilustración.

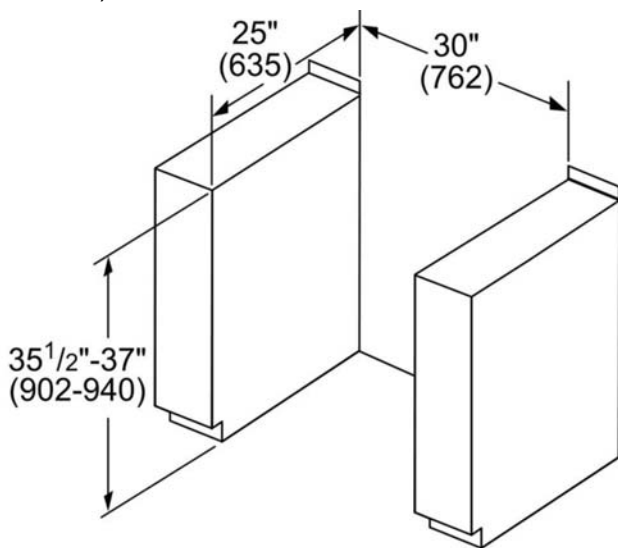
Se accede a la conexión de gas retirando el cajón calentador. El espacio disponible para la conexión de gas se muestra en el casillero gris (G) en la siguiente ilustración.



Requisitos de gabinetes

Esta unidad está diseñada para la instalación cerca de paredes adyacentes y superficies que sobresalen construidas de materiales combustibles. Prepare la superficie de trabajo y los gabinetes.

Deje un mínimo de 30 pulg. (76.2 cm) entre los gabinetes donde instalará la estufa. No se requiere espacio libre lateral. La altura se establece ajustando las patas de la estufa (consulte la sección que aparece más adelante, "Cómo completar la instalación").



Nota: La estufa deslizante también puede reemplazar una estufa independiente. En este caso, verifique que la abertura sea de, al menos, 30 pulg. (762 mm).

Instalación de la ventilación

Bosch recomienda categóricamente la instalación de una campana de ventilación arriba de esta estufa. Para la mayoría de las cocinas, se recomienda una capacidad nominal de campana certificada de no menos de 300 pies cúbicos por minuto (cubic feet per minute, CFM). La campana de la estufa debe instalarse según las instrucciones proporcionadas con la campana.

Espacio libre requerido

Estas instrucciones se determinaron utilizando gabinetes estadounidenses estándares. Los gabinetes estándares de base tienen 36 pulg. (91.4 cm) de alto x 25 pulg. (63.5 cm) de profundidad. Los gabinetes sobre la superficie de cocción y los gabinetes adyacentes a los que se encuentran sobre la superficie de cocción tienen 13 pulg. (33 cm) de profundidad desde la pared trasera. Si se utilizan gabinetes no estándares, debe tenerse cuidado de alterar las dimensiones de manera acorde.

▲ ADVERTENCIA

Para eliminar el riesgo de quemaduras o incendio al tocar las unidades de superficie calentadas, se debe evitar dejar espacio de almacenamiento en gabinetes sobre las unidades de superficie. En el caso de que haya almacenamiento en gabinetes, se puede reducir el riesgo instalando una campana que se proyecte horizontalmente 5 pulg. (127 mm), como mínimo, desde la parte inferior del gabinete.

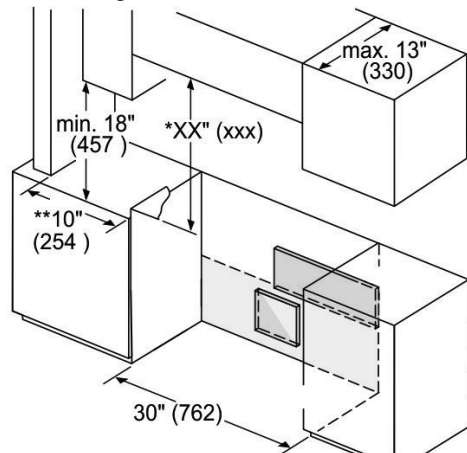
Desde la placa hasta los materiales que se encuentran sobre esta:

- Debe haber un espacio libre mínimo de 36 pulg. (914 mm) para el modelo SIR de gas y un espacio de 30 pulg. (762 mm) para el modelo SIR de dos combustibles entre la parte superior de la superficie de cocción y la parte inferior de un gabinete de madera o metal sin protección.
- Bosch recomienda los espacios libres mínimos que se muestran en los diagramas de instalación incluidos en este manual. Los espacios libres de los materiales no combustibles no están dentro del alcance de ANSI Z21.1 ni cuentan con la certificación CSA. El uso de espacios libres más pequeños de los que se muestran en los diagramas de instalación deben ser aprobados por los códigos locales y/o por la autoridad local que tenga jurisdicción.

Desde la superficie de cocción hasta los materiales laterales:

No se requiere espacio libre desde las paredes de la unidad hasta las paredes combustibles verticales adyacentes en la parte trasera, la derecha o la izquierda.

.Nota: Algunas terminaciones de gabinetes no pueden soportar las temperaturas permitidas por las normas de seguridad, en especial los hornos de autolimpieza; los gabinetes podrían decolorarse o mancharse. Esto puede notarse más con gabinetes laminados.



Medidas en pulgadas (mm)

*XX Se requiere un espacio libre mínimo de 36 pulg. (914 mm) para el modelo SIR de gas y un espacio de 30 pulg. (762 mm) para el modelo SIR de dos combustibles respecto de una superficie combustible superior. Si se instala una ventilación superior o un microondas sobre la estufa, consulte los espacios libres que se proporcionan con estos productos.

** 10 pulg. (127 mm) si la pared lateral contiene materiales combustibles.

Los materiales ignifugos llevan la siguiente leyenda:

UNDERWRITERS LABORATORIES INC. CLASSIFIED MINERAL AND FIBER BOARDS SURFACE BURNING CHARACTERISTICS (CARACTERÍSTICAS DE COMBUSTIÓN DE SUPERFICIES DE TABLEROS DE MINERAL Y FIBRA CLASIFICADAS POR UNDERWRITERS LABORATORIES INC.), seguida por la propagación de llamas y las clasificaciones de humo. Estas designaciones aparecen como "FHC (propagación de llamas/humo desarrollado)". Los materiales con una clasificación de propagación de llamas "O" son ignifugos. Los códigos locales pueden permitir otras clasificaciones de propagación de llamas. Es responsabilidad del instalador garantizar que la instalación se realice de acuerdo con estas clasificaciones.

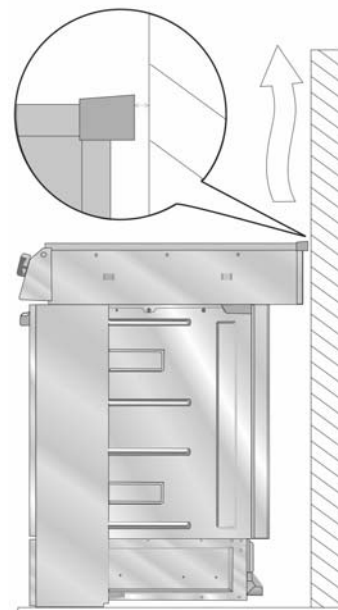
Cómo evitar obstruir el flujo de aire

⚠ ADVERTENCIA

Riesgo de incendio: no obstruya el espacio de ventilación en la parte trasera de la parte superior de la estufa. No calafatee ni selle de otra manera esta abertura.

El espacio de ventilación adecuado para las estufas de dos combustibles o de gas se logra automáticamente cuando

la parte trasera de la estufa está contra la pared. Si se obstruye la separación resultante, aunque sea temporalmente, la estufa y/o los gabinetes circundantes podrían recalentarse y generar un riesgo de incendio.



Preparación de las paredes y del piso

Selle cualquier orificio en las paredes o el piso. Retire cualquier obstrucción (conexiones eléctricas o de gas adicionales, etc.) de modo que la estufa se apoye contra la pared en forma adecuada.

Requisitos de la superficie de trabajo

Las superficies de trabajo deben ser uniformes y estar niveladas.

Cómo retirar el embalaje

1. Si hay correas, corte las correas.
2. Corte el plástico en la parte posterior inferior de la unidad, asegurándose de no cortar la unidad.
3. Retire la película de plástico.
4. Levante el cartón por encima de la parte superior de la unidad y retírelo de la unidad.
5. Retire los postes de cartón de las esquinas, asegurándose de retirar también todos los postes u otros materiales de embalaje que se encuentren entre los postes de las esquinas.
6. Retire todo el embalaje interno y toda la cinta.

Procedimiento de instalación

Instalación del soporte anticaídas

⚠ ADVERTENCIA

Un niño o un adulto pueden hacer caer la estufa y morir. Verifique que el soporte anticaídas esté firmemente instalado. Asegúrese de que el soporte anticaídas esté enganchado cuando se mueva la estufa.

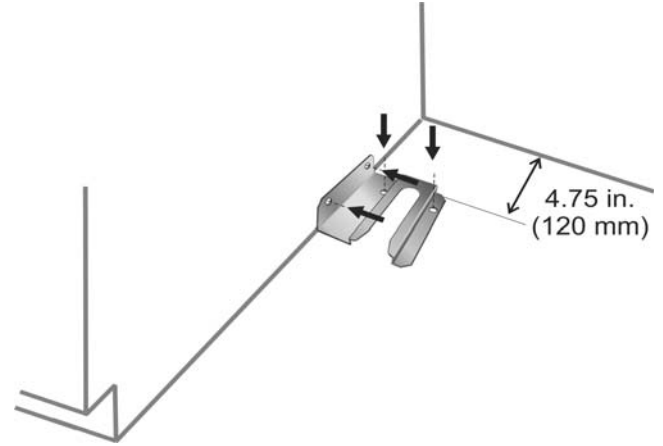


La estufa puede caer hacia adelante y posiblemente provocar lesiones y daños si no se instala correctamente el soporte anticaídas. No utilice la estufa si el soporte anticaídas no está en su lugar.

Pasos para instalar el soporte anticaídas

1. Ajuste la altura de la estufa para que esta coincida con la altura de la superficie de trabajo girando las bases regulables de las patas que se encuentran en la parte inferior de la estufa. Para ello, utilice una llave de 1 1/4 pulg.
2. Coloque el soporte, como se muestra a continuación, en la esquina izquierda trasera de la abertura de instalación, contra la pared trasera y la pared izquierda del gabinete. Monte el soporte utilizando dos tornillos en el piso o en la base del gabinete adyacente. **Nota:** La superficie de montaje debe estar asegurada. Al montar en la pared del gabinete, asegúrese de que los tornillos enganchen la estructura del gabinete, no solo la pared delgada del gabinete. No utilice un bloque ni un separador para llenar el espacio entre el soporte anticaídas y la pared del gabinete.
3. Asegure el soporte con dos tornillos al piso o a la base de la pared del gabinete. Según el material del piso o del gabinete, utilice tornillos para madera o tornillos para hormigón sin ancla (incluidos). Los tornillos para hormigón requieren el uso de una broca para mampostería de 3/16 pulg. Los tornillos deben brindar

una sujeción firme en la madera o en el piso sólidos. No intente anclar en pared seca.



Conexión eléctrica

La estufa deslizante de dos combustibles puede conectarse utilizando un cable de estufa eléctrica (según se especifica en la sección anterior de Requisitos eléctricos) o utilizando una conexión eléctrica de conducto flexible. La estufa deslizante de gas tiene un cable de alimentación de 120 voltios y se enchufa a una toma de corriente estándar de pared de 120 voltios.

⚠ ADVERTENCIA

No use un cable de extensión. Si el cable de alimentación eléctrica es demasiado corto, solicítele a un electricista calificado que instale una toma de corriente cerca del electrodoméstico.

Estufas de gas

Se instala el cable de alimentación de 120 voltios en las estufas de gas.

Estufas de dos combustibles: conexión del cable de la estufa eléctrica

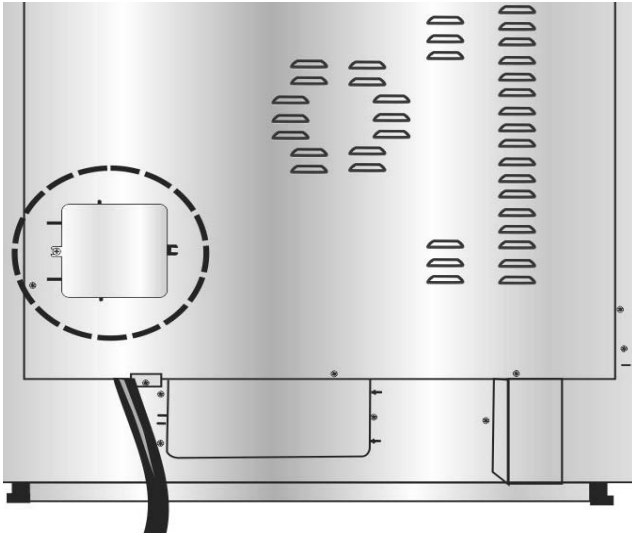
Esta sección se aplica solo a las estufas de dos combustibles (no se aplica a las estufas de gas). Las estufas de dos combustibles tienen una placa de gas y un horno eléctrico.

Nota: En Canadá, la estufa se envía desde la fábrica con el cable de la estufa ya instalado. Continúe en “Cómo completar la instalación” en la página 16.

Nota: Se recomienda que solo las personas calificadas agreguen un cable de alimentación a este electrodoméstico o realicen conexiones eléctricas con este.

Para instalaciones que no sean en Canadá, conecte el cable de la estufa en el bloque de terminales. Acceda al

bloque de terminales retirando la cubierta en la esquina inferior izquierda del panel trasero de la estufa.



Instalación de protección para cables

Coloque la protección para cables en el orificio prepunzonado que se encuentra debajo del bloque de terminales.

⚠ ADVERTENCIA

El protector para cable que se proporciona con su cable de la estufa debe estar instalado de manera adecuada. Los protectores para cable varían. Lea y siga con cuidado las instrucciones que se incluyen con su protección para cables.

1. En el panel prepunzonado que se encuentra debajo del bloque de terminales, retire el orificio prepunzonado que entra en el protector para cable suministrado con su cable de la estufa.
2. Pase el cable de la estufa a través del orificio y coloque la protección para cables hasta el bloque de terminales. Deje un juego en el cable entre la protección para cable y el bloque de terminales.
3. Una vez que se hayan ajustado la longitud/el juego del cable, coloque la protección para cables conforme a las instrucciones que se incluyen con la protección para cables.

Sugerencia: El panel prepunzonado (debajo del bloque de terminales) puede retirarse de la estufa para instalar la protección para cables. Retire el panel de la estufa, instale la protección para cables en el panel y vuelva a colocarlo. NO retire todo el panel de la parte trasera de la estufa.

Preparación para la conexión de alimentación eléctrica

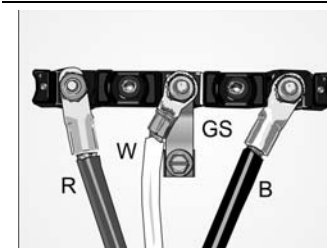
⚠ ADVERTENCIA

Riesgo de descarga eléctrica o incendio. Se prohíbe la conexión a tierra mediante el conductor neutro para nuevas instalaciones de circuito derivado (1996 NEC), casas rodantes y vehículos recreativos, o en un área en la que los códigos locales prohíban la conexión a tierra mediante el conductor neutro.

Para instalaciones en las que se prohíba la conexión a tierra mediante el conductor neutro: (a) desconecte el enlace desde el conductor neutro, (b) utilice el terminal o hilo de conexión a tierra para conectar a tierra la unidad, (c) conecte el terminal neutro al hilo neutro del circuito derivado de la manera habitual. Cuando el electrodoméstico deba conectarse mediante un kit de cable, utilice un cable de 4 conductores para este fin.

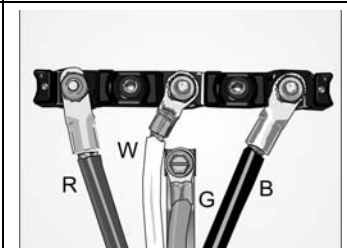
Utilice únicamente kits de cable con capacidad nominal de 125/250 voltios, 30 amperios (como mínimo) y con la etiqueta "Para uso con estufas". Debe instalarse la protección para cables que se proporciona con el cable conforme a las instrucciones que se incluyen con el cable.

Acoplamiento de 3 cables



R = Rojo
W = Blanco
GS = Tira de conexión a tierra
B = Negro

Acoplamiento de 4 cables



R = Rojo
W = Blanco
G = Verde
B = Negro

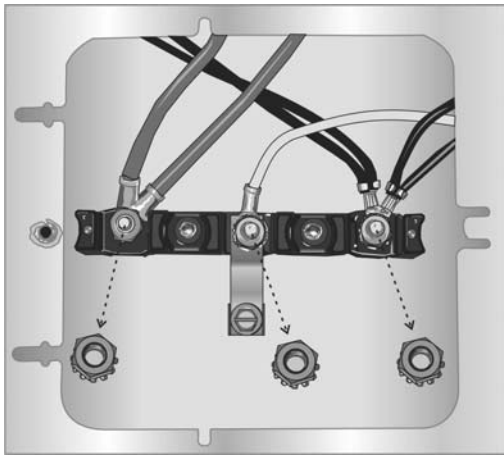
⚠ ADVERTENCIA

Para evitar descargas eléctricas, la clavija de conexión a tierra del cable de la estufa no debe cortarse ni retirarse bajo ninguna circunstancia. Debe enchufarse en un receptáculo correspondiente de tipo de conexión a tierra y conectarse a un circuito de 240 V correctamente polarizado. Si tiene alguna duda respecto de si el receptáculo de pared está correctamente conectado a tierra, solicite la verificación por un electricista calificado.

Conexión de un cable de estufa de cuatro alambres (método recomendado)

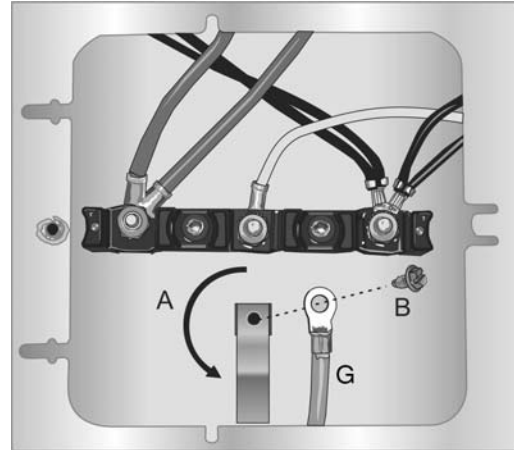
1. Desconecte la energía eléctrica en la caja de disyuntores. Retire la cubierta del bloque de terminales para exponer el bloque de terminales.
2. Retire la tuerca superior (tiene una arandela de sujeción colocada) de cada poste.

Nota: NO retire la segunda tuerca/arandela en cada poste; estas deben permanecer en su lugar para anclar el cableado interno conectado al bloque de terminales.

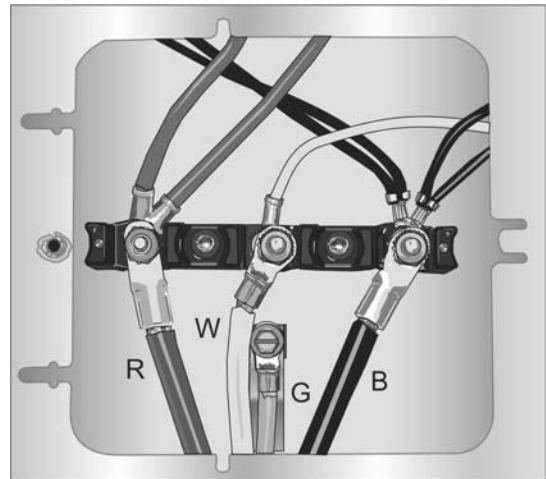


3. Retire el tornillo del extremo inferior de la correa de conexión a tierra.
4. Retire el tornillo de conexión a tierra verde del extremo inferior de la correa de conexión a tierra. Retire el extremo superior de la correa de conexión a tierra del poste central de la barra de empalme. Rote la tira de conexión a tierra (A) de modo que el extremo amplio dé hacia arriba y alinee el orificio con el orificio de conexión a tierra debajo del bloqueo de terminales. Utilice el tornillo de conexión a tierra verde (B) para conectar el cable verde (G) encima de la correa de

conexión a tierra. Ajuste el tornillo de conexión a tierra firmemente, pero no lo ajuste en exceso.



5. Conecte el cable rojo al terminal del bloque de empalme izquierdo utilizando una de las tuercas/arandelas que se retiraron en el paso 2.



6. Conecte el cable blanco al terminal del bloque de empalme central utilizando una de las piezas de tuerca/arandela.
7. Conecte el cable negro al terminal del bloque de empalme derecho utilizando una de las piezas de tuerca/arandela.
8. Ajuste todas las conexiones firmemente y Vuelva a colocar la cubierta del bloque de terminales.
9. Asegure en forma adecuada la protección para cables (consulte la sección previa).

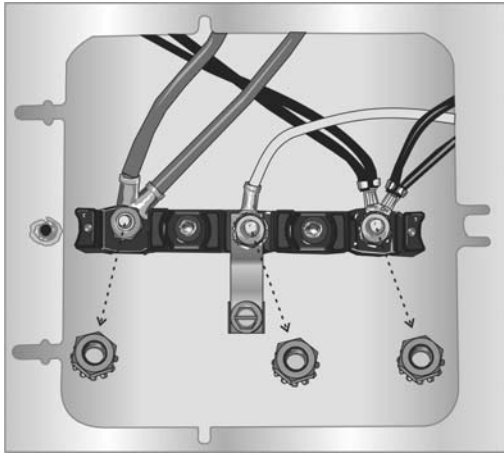
Nota: NO enchufe la estufa en este momento.

Conexión de un cable de estufa de tres alambres (método alternativo)

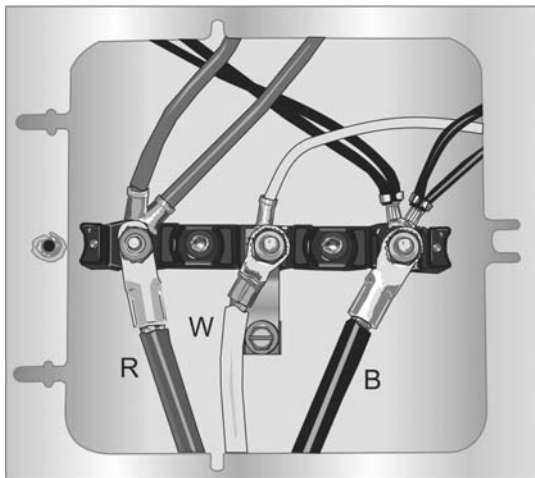
Se prefiere la conexión de cuatro alambres (anterior), pero en los casos en los que los códigos y las ordenanzas locales permiten la conexión a tierra mediante el conductor neutro y en los que la conversión a cuatro alambres no es práctica, la unidad puede conectarse a la fuente de alimentación mediante una conexión de tres alambres.

1. Desconecte la energía eléctrica en la caja de disyuntores.
2. Retire la cubierta del bloque de terminales para exponer el bloque de terminales.
3. Retire la tuerca superior (tiene una arandela de sujeción colocada) de cada poste de terminal.

Nota: NO retire la segunda tuerca/arandela en cada poste. Estas deben permanecer en su lugar para anclar el cableado interno conectado al bloque de terminales.



4. Conecte el cable blanco al terminal del bloque de empalme central utilizando una de las piezas de tuerca/arandela.
5. Conecte el cable rojo al terminal del bloque de empalme izquierdo utilizando una de las piezas de tuerca/arandela que se retiraron en el paso 2.
6. Conecte el cable negro al terminal del bloque de empalme derecho utilizando una de las piezas de tuerca/arandela.



7. Ajuste todas las conexiones firmemente y Vuelva a colocar la cubierta del bloque de terminales.
8. Asegure en forma adecuada la protección para cables (consulte la sección previa).

Nota: NO enchufe la estufa en este momento.

Conexión del conducto flexible eléctrico

La estufa también puede conectarse mediante un conducto flexible. Si se utiliza este método, siempre use las orejetas suministradas.

Nota: En Canadá, la estufa se envía desde la fábrica con el cable de la estufa ya instalado. Continúe hasta "Cómo completar la instalación". Para instalaciones que no sean en Canadá, conecte el conducto flexible en el bloque de terminales.

Orejeta terminal/Conexión de cable

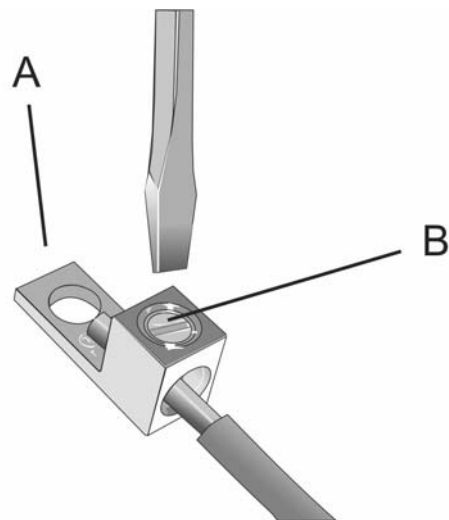
Cada vez que un cable esté conectado a una orejeta terminal, siga los siguientes pasos:

1. Desforre 3/8 pulg. (9.5 mm) de aislamiento desde el extremo del cable.



2. Introduzca el extremo desforrado del cable en la orejeta terminal (consulte A en la figura a continuación) y, luego, apriete cada tornillo de sujeción (consulte B en la figura a continuación) con el apriete adecuado (consulte la tabla).

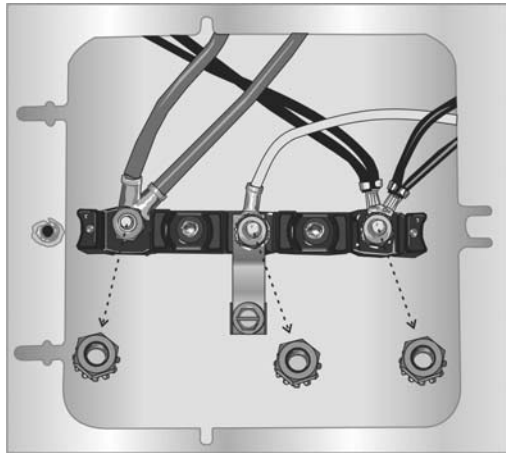
Calibre del cable	Apriete (in/lb)	Apriete (Nm)
6	35	3.95
8	25	2.82



Conexión del conducto flexible de cuatro alambres

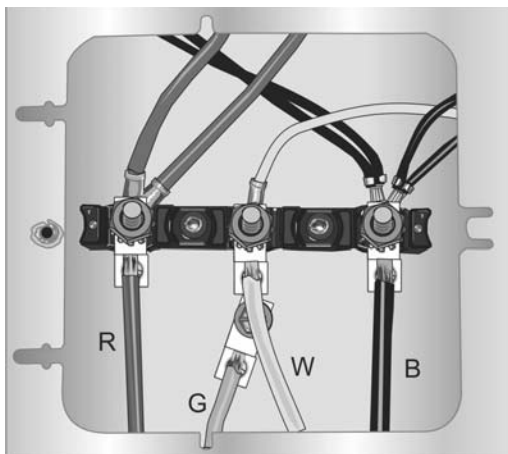
1. Desconecte la energía eléctrica en la caja de disyuntores.

2. Retire la cubierta del bloque de terminales para exponer el bloque de terminales.
3. Retire la tuerca superior (tiene una arandela de sujeción colocada) de cada poste de terminal.



Nota: NO retire la segunda tuerca/arandela en cada poste. Estas deben permanecer en su lugar para anclar el cableado interno conectado al bloque de terminales.

4. Retire el tornillo de conexión a tierra verde del extremo inferior de la correa de conexión a tierra.
5. Retire la correa de conexión a tierra del poste central en el bloque de terminales. La correa no se necesitará con la instalación eléctrica del conducto flexible. Retírela de la unidad.



6. Conecte el cable con conexión a tierra aislado (G) en la orejeta terminal (que se embala con este manual) y asegure la orejeta terminal al orificio con conexión a tierra con el tornillo verde con conexión a tierra. Ajuste el tornillo firmemente, pero no lo ajuste en exceso.
7. Conecte el cable rojo (R) a la orejeta terminal y coloque la orejeta terminal en el poste izquierdo. Vuelva a colocar la tuerca/arandela en el poste y ajústela hasta 20 in/lb (50.8 cm) de apriete.
8. Conecte el cable negro (B) a la orejeta terminal y coloque la orejeta terminal en el poste derecho. Vuelva

a colocar la tuerca/arandela en el poste y ajústela hasta 20 in/lb (50.8 cm) de apriete.

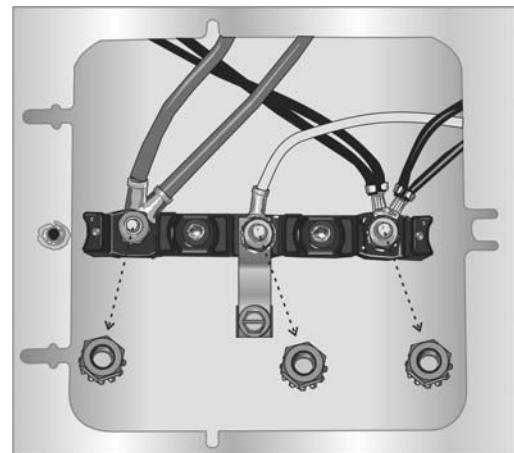
9. Asegure en forma adecuada el conducto flexible en el orificio prepunzonado en ángulo y en la caja de empalme del lado de suministro. El cableado ahora está completado.

Nota: NO conecte la energía eléctrica a la estufa en este momento.

Conexión del conducto flexible de tres alambres

Se prefiere una conexión de cuatro alambres, pero en los casos en los que los códigos y las ordenanzas locales permitan la conexión a tierra mediante el conductor neutro y/o en los que la conversión a cuatro cables no sea práctica, la unidad puede conectarse a la fuente de alimentación mediante una conexión de tres cables.

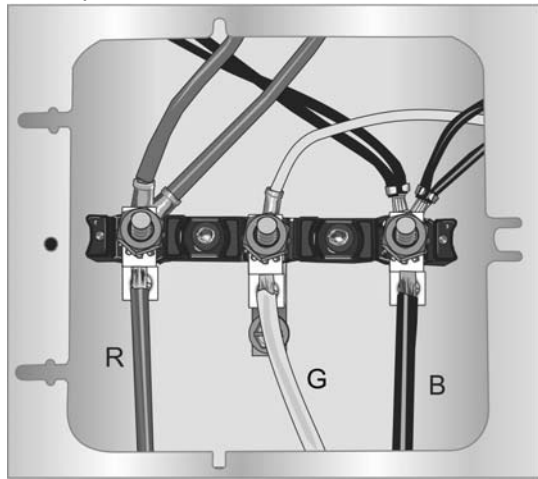
1. Desconecte la energía eléctrica en la caja de disyuntores.
2. Retire la cubierta del bloque de terminales para exponer el bloque de terminales.
3. Retire la tuerca superior, la arandela de estrella y la arandela redonda de cada poste.



Nota: NO retire la última arandela redonda, la última tuerca ni los hilos de alambres internos.

4. (consulte la siguiente figura) Conecte el cable rojo (R) a la orejeta terminal (que se embala con este manual) y coloque la orejeta terminal en el poste izquierdo. Vuelva a colocar la tuerca/arandela en el poste y ajústela hasta 20 in/lb (50.8 cm) de apriete.
5. Conecte el cable negro (B) a la orejeta terminal y coloque la orejeta terminal en el poste derecho. Vuelva a colocar la tuerca/arandela en el poste y ajústela hasta 20 in/lb (50.8 cm) de apriete.
6. Conecte el cable verde (G) a la orejeta terminal y coloque la orejeta terminal en el poste central. Vuelva a colocar la tuerca/arandela en el poste y ajústela hasta 20 in/lb (50.8 cm) de apriete.

7. Asegure en forma adecuada el conducto flexible en el panel prepunzonado en la estufa y en la caja de empalme del lado de suministro. El cableado ahora está completado.



Nota: NO conecte la energía eléctrica a la estufa en este momento.

Conexión del suministro de gas

Nota: Se recomienda que solo personas calificadas realicen la conexión de gas en este electrodoméstico.

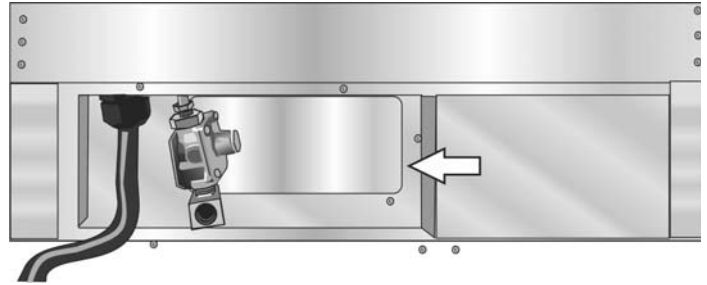
Cierre la válvula de suministro de gas principal antes de desconectar la estufa anterior y manténgala cerrada hasta que se haya completado la nueva conexión. **No se olvide de volver a prender el piloto en los otros electrodomésticos de gas cuando vuelva a encender el gas.**

La estufa puede instalarse usando una tubería rígida o un conector flexible de metal del electrodoméstico certificado por CSA International. Si usa un conector flexible, use siempre un conector nuevo.

Aplique compuesto para juntas de tuberías o cinta de Teflon® adecuados para uso con gas LP y gas natural alrededor de todas las roscas macho para tubería, a fin de prevenir fugas.

La conexión de gas se encuentra debajo del panel de la parte trasera de la estufa. Se puede acceder a través del panel de acceso del cajón o de la parte trasera de la

estufa. Para alcanzar el panel de acceso, retire el cajón calentador.



Nota importante para los usuarios de LP

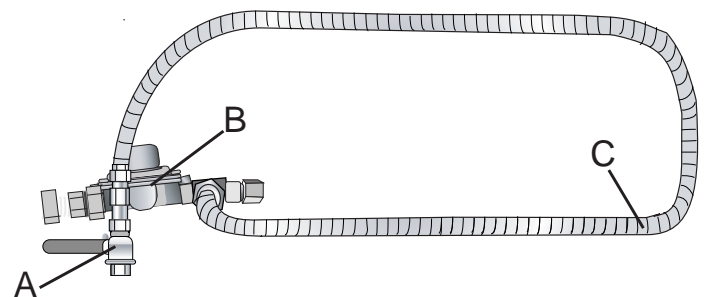
La estufa es enviada de fábrica para uso con gas natural. Para usar con gas propano (LP), primero, su estufa debe convertirse usando el kit de conversión de LP suministrado con su estufa. La conversión debe ser realizada por un técnico calificado.

Método de conector flexible

Si se usa una tubería rígida, vaya a la siguiente sección "Método de conector de tubería rígida".

Conecte el conector

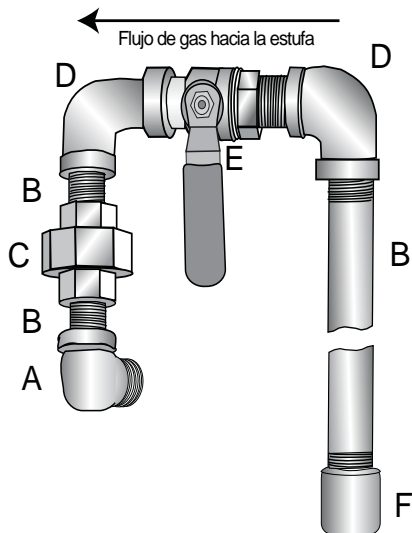
1. Instale un adaptador abocinado macho de 1/2 in en la rosca interna NPT de 1/2 in de la entrada de la estufa. Use una llave de sujeción en el conector en codo para evitar daños.
2. Instale un adaptador de unión abocinado macho de 1/2 in o 3/4 in en la rosca interna de la válvula de paso manual.
3. Conecte el conector flexible de metal del electrodoméstico.



Elemento	
A	Válvula de paso de gas
B	Regulador
C	Conector flexible

Método de conector de tubería rígida

Si usa un conector flexible, vuelva a “Método de conector flexible”.



Elemento

A	Codo; conecte al regulador aquí
B	Boquilla de tubería
C	Unión
D	Codo
E	Válvula de paso de gas
F	Tubería de gas de 1/2 in a 3/4 in

La configuración de la conexión de tubería rígida variará dependiendo de la ubicación del adaptador de la tubería de gas.

Complete la conexión de gas

Conecte la tubería a la estufa en la unión. Acceda a la conexión a través del panel de acceso detrás del cajón.

La conexión de gas está completa. Es importante detectar la presencia de fugas de gas antes de proceder con el recordatorio de la instalación.

Prueba para detectar fugas de gas

⚠ ADVERTENCIA

Nunca verifique la presencia de fugas de gas con una llama.

Las pruebas para detectar fugas deben ser llevadas a cabo por el instalador, de acuerdo con las instrucciones que se proporcionan en esta sección.

Nota: Tenga cuidado de no aplicar presión al elemento del cajón calentador durante la evaluación de la tubería rígida.

1. Encienda el gas.
2. Aplique un líquido de detección de fugas no corrosivo. Incluya todas las juntas y accesorios entre la válvula de paso y la estufa. Incluya los conectores de gas y las juntas en la estufa si existe la posibilidad de que se hayan movido las conexiones durante la instalación.
3. Inspeccione para ver si hay fugas. La presencia de burbujas alrededor de los accesorios y las conexiones indican una fuga.
4. Si se produce una fuga, apague la válvula de paso de gas de la línea de suministro y apriete las conexiones.
5. Vuelva a evaluar si hay fugas. Encienda nuevamente el gas de la válvula de paso de la línea de suministro y vuelva a aplicar líquido de detección de fugas.
6. Cuando no aparezcan burbujas, la prueba estará completa. Limpie todos los restos de líquido de detección.

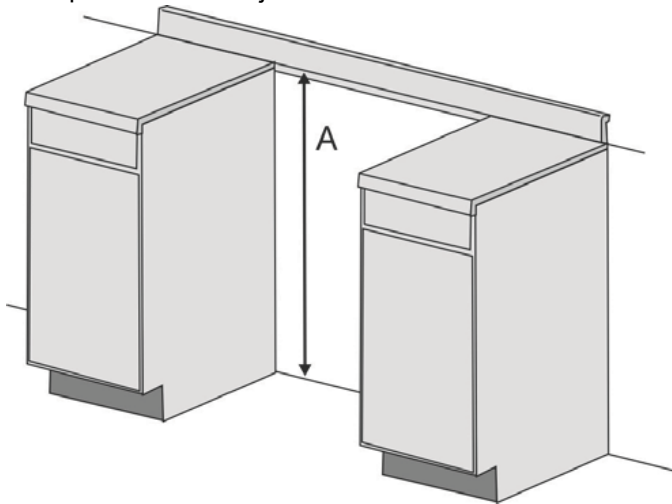
No continúe con el siguiente paso hasta que se hayan eliminado todas las fugas.

Cómo completar la instalación

Ajuste de las patas niveladoras

1. Asegúrese de que el disyuntor esté apagado y, luego, enchufe el cable de la estufa en la toma de corriente.
2. Alinee la estufa en frente de la abertura.

- Mida (A) la esquina izquierda de la parte trasera de la abertura desde el piso hasta la parte superior de la superficie de trabajo.

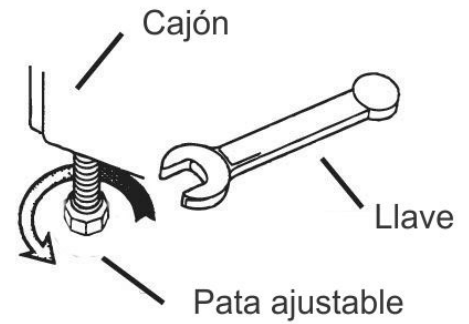


- Mida la esquina izquierda de la parte trasera de la estufa hasta la parte inferior de la placa (B). Ajuste las patas niveladoras hasta que su altura sea la misma que la dimensión de la esquina.



- Repita el procedimiento en la esquina derecha de la parte trasera.
- Use una llave de 1 1/4 in para ajustar las patas niveladoras delanteras, de modo que la altura desde la

parte inferior de la placa hasta el piso coincida con la altura de la superficie de trabajo correspondiente.



Deslice la estufa en la abertura

AVISO

Para evitar el riesgo de daños a la puerta del horno de la estufa, no levante, presione ni tire la estufa del mango de la puerta. Después de que la puerta haya sido retirada, extienda la mano dentro de la parte superior de la cavidad del horno para ubicar un área con surcos cerca de la parte delantera del horno. Tenga cuidado de no tocar el elemento de calentamiento del horno, que también se encuentra en la parte superior de la cavidad del horno, justo detrás del área con surcos.



Nota: Se recomienda usar guantes y mangas largas para proteger las manos y los antebrazos de la abrasión y de posibles raspaduras durante el proceso de levantamiento. También se recomienda quitarse los relojes de mano y las alhajas, y usar calzado de trabajo durante la instalación para proteger los pies.

- Retire la puerta del horno usando el procedimiento "Cómo retirar la puerta del horno" en la página 18 y levante la estufa fuera de la base del embalaje.
- Enchufe el cable de alimentación.
- Humedezca la superficie de trabajo y el piso de la parte inferior de la abertura con agua jabonosa.

Nota: Limpie cualquier resto de agua jabonosa inmediatamente después de deslizar la estufa en su lugar.

4. Deslice la estufa en la abertura teniendo cuidado de no dañar las superficies de trabajo, los pisos ni la parte delantera de la puerta de la estufa o del cajón calentador. No aplique presión a la placa cuando la desliza en su posición. Tenga cuidado de no doblar el conector eléctrico flexible.
5. Instale la puerta del horno usando el procedimiento "Cómo volver a colocar la puerta del horno" en la página 20.

Verificación de la parte trasera de la estufa para determinar si se instaló en forma adecuada

1. La placa debe apoyarse ligeramente sobre la superficie de trabajo.
2. No debe haber ninguna separación entre la superficie de trabajo y la placa; sin embargo, el peso de la estufa no debe recaer sobre la superficie de trabajo. Mire debajo de la estufa para verificar que ambas patas traseras estén apoyadas firmemente en el piso. También verifique que la pata izquierda de la estufa quede retenida por el soporte anticaídas.

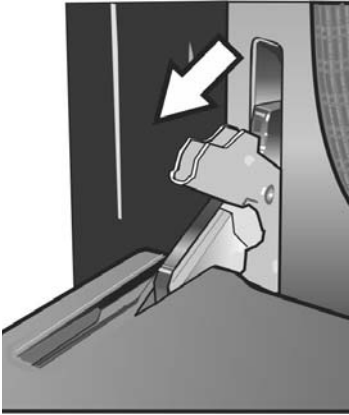
Cómo retirar/volver a colocar la puerta del horno y el cajón calentador

Cómo retirar la puerta del horno

▲ ADVERTENCIA

Al retirar la puerta:

- Asegúrese de que el horno esté frío y de que la alimentación eléctrica al horno esté apagada antes de retirar la puerta. No hacerlo puede ocasionar una descarga eléctrica o quemaduras.
 - La puerta del horno es pesada y sus piezas son frágiles. Use las dos manos para retirar la puerta del horno. El frente de la puerta es de vidrio. Manipúlela con cuidado para evitar que se rompa.
 - Tome la puerta del horno solamente por los costados. No la tome de la manija, porque puede deslizarse de la mano y causar daños o lesiones.
 - No tomar la puerta del horno con firmeza y correctamente podría ocasionar lesiones personales o daños al producto.
 - Para evitar lesiones cuando el soporte de la bisagra se cierra bruscamente, asegúrese de que ambas palancas estén firmemente en su lugar antes de retirar la puerta. Tampoco abra ni cierre la puerta forzándola; la bisagra podría dañarse y ocasionar lesiones.
 - No apoye la puerta retirada sobre objetos filosos ni puntiagudos ya que puede romperse el vidrio. Apóyela sobre una superficie plana y lisa de modo que no pueda caerse.
-



Para evitar lesiones o daños, asegúrese de leer la ADVERTENCIA precedente antes de intentar retirar la puerta del horno.

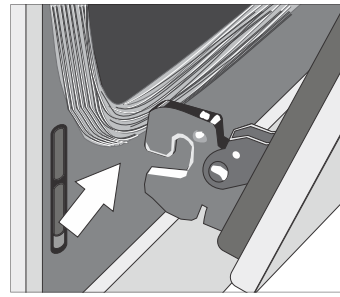
1. Abra la puerta del horno hasta que quede en posición horizontal, totalmente abierta.
2. Lleve las palancas de las bisagras hacia usted.

Nota: Es posible que sea necesario utilizar una herramienta, como un destornillador, para sacar suavemente la parte superior de la palanca fuera de la carcasa. Tenga cuidado de no rayar la carcasa.

3. Lleve ambas palancas de las bisagras de la puerta a su posición más baja, según se muestra en la ilustración. Es posible que las palancas de las bisagras izquierda y derecha de la puerta difieran levemente, pero funcionan del mismo modo.



4. Cierre la puerta del horno hasta que se enganche en las palancas de tope de las bisagras, y trabe las bisagras en el ángulo adecuado para retirar la puerta. La puerta se abrirá alrededor de 7 pulgadas en la parte superior. Esto elimina la tensión de los resortes de las bisagras de modo que pueda levantarse fácilmente la puerta.

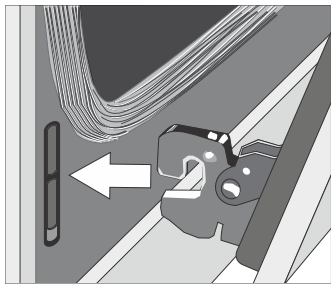


5. La puerta es pesada. Utilice ambas manos para sujetarla firmemente desde los costados. No sujete la puerta desde el mango. Manteniendo el ángulo de la puerta, levante la puerta en forma recta hacia arriba, aproximadamente, 3/4 de pulg. para destrabar las bisagras de las ranuras y, luego, jálela hacia usted hasta que la carcasa del horno salga de las bisagras.

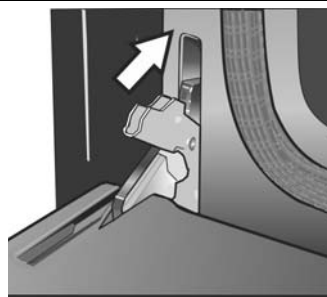


6. Coloque la puerta en una ubicación conveniente y estable hasta que esté listo para instalarla. Apoye la puerta en una toalla o en un trozo de relleno de espuma de protección para evitar que se produzcan daños a la puerta o al piso.

Cómo volver a colocar la puerta del horno



1. Sosteniendo la puerta firmemente con las dos manos, sujétela desde los costados, no desde el mango.
2. Incline la puerta hacia atrás, levemente hacia usted hasta que la parte superior se abra, aproximadamente, 7 pulg.
3. Deslice las bisagras en las ranuras lo máximo posible y, luego, baje la puerta en forma recta. Es posible que el ángulo de la puerta deba ajustarse levemente para permitir que las bisagras se enganchen adecuadamente y que la puerta baje y se coloque en su lugar. La puerta debe bajar, aproximadamente, 3/4 de pulg. y detenerse. Si no lo hace, las bisagras no se han enganchado adecuadamente, y la puerta podría caer si se suelta.
4. Una vez que las dos bisagras estén completamente enganchadas como se describe en el Paso 3, abra suavemente la puerta hasta que esté abierta por completo.

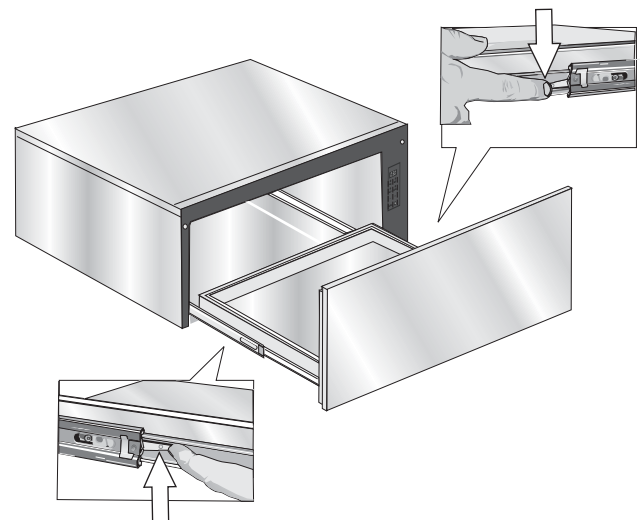


5. Empuje las palancas que se encuentran en las dos bisagras hacia arriba y hacia adelante hasta que se traben en la ranura, a ras con la parte delantera del cuerpo del horno.
6. Cierre y abra la puerta despacio para asegurarse de que esté colocada en forma correcta y firme.

Cómo retirar el cajón calentador

⚠ PRECAUCIÓN

Para evitar quemaduras, no retire el cajón mientras esté caliente. Asegúrese de que el cajón esté vacío antes de retirarlo.



Piezas

- | | |
|---|-------------------------|
| 1 | Carcasa |
| 2 | Cajón |
| 3 | Corredera de la carcasa |
| 4 | Riel del cajón |

1. Tire del cajón para abrirlo completamente.
2. Presione el sujetador derecho del cajón.
3. Levante el sujetador izquierdo del cajón.
4. Extraiga el cajón con firmeza y en forma recta. Retraiga las correderas de la carcasa mientras retira el cajón.

Cómo volver a colocar el cajón calentador

1. Asegúrese de que las correderas de la carcasa estén dentro de la carcasa.
2. Alinee los rieles del cajón con las correderas de la carcasa adheridas a la carcasa del cajón.
3. Introduzca firmemente el cajón en el interior de la carcasa del cajón hasta que este haga clic al ubicarse en su lugar. **Nota:** El cajón se abre con una función que requiere presionar para abrir. Presionar la parte delantera central inferior del cajón hace que se abra solo.
4. Abra y cierre el cajón para probar su funcionamiento. **Nota:** Si el cajón no cierra, verifique que los rieles del cajón estén adecuadamente alineados con las correderas de la carcasa y que las palancas de liberación de los rieles estén adecuadamente posicionadas.

Prueba de funcionamiento

Pruebe el horno

1. Encienda la alimentación con el disyuntor.
2. Pruebe el modo de horno.
Seleccione el modo **BAKE** (Hornear). Consulte el Manual de uso y cuidado para obtener instrucciones detalladas de operación.
3. Verifique que se encienda la luz del horno y que el horno comience a precalentar.
4. Pruebe la traba de la puerta.
Configure el modo **SELF CLEAN** (Autolimpieza). Confirme que se trabe la puerta cuando aparece el ícono de traba en la pantalla.
5. Si alguna de las pruebas no resulta como se explicó anteriormente, comuníquese con el servicio técnico de Bosch para obtener asistencia. De otro modo, continúe probando las hornillas de la parte superior de la estufa.

Prueba de las hornillas de la parte superior de la estufa

Cada hornilla debe probarse para verificar el encendido adecuado, las características adecuadas de la llama en el valor bajo y las características adecuadas de la llama en el valor alto.

Cómo probar el encendido adecuado:

1. Empuje hacia abajo la perilla y gírela hacia el símbolo de llama.

2. Verifique que el módulo del encendedor/de la chispa haga clic.
3. Una vez que se haya purgado el aire de las líneas de suministro, verifique que la hornilla se encienda en el término de cuatro (4) segundos. Después de que se encienda la hornilla, gire la perilla a la posición de apagado.
4. Pruebe cada hornilla de la estufa de esta manera. Llame al Servicio técnico si alguna de las hornillas no se enciende.

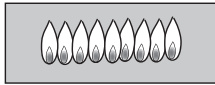
Cómo probar las características de la llama en el valor bajo:

1. Empuje y gire la perilla hacia el símbolo de llama hasta que se encienda la hornilla.
2. Gire la perilla rápidamente al valor bajo.
3. Verifique que la llama sea:
 - De una altura mínima (aproximadamente, 1/4 in o 6 mm).
 - Estable (La llama no debe apagarse, levantarse ni salirse de la hornilla. Debe extenderse sobre toda la hornilla o rodearla).
 - Del color correcto. Debe ser azul, con un cono interno y externo. Consulte la siguiente tabla *Características de las llamas* para obtener más información.
4. Verifique cada hornilla de la estufa de esta manera. Si alguna llama se extingue, no se extiende en forma adecuada o es demasiado grande, comuníquese con el servicio técnico de Bosch.

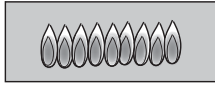
Cómo probar las características de la llama en el valor alto:

1. Empuje y gire la perilla hacia el símbolo de llama hasta que se encienda la hornilla.
2. Gire la perilla al valor alto.
3. Verifique que la llama sea:
 - Estable (La llama no debe apagarse, levantarse ni salirse de la hornilla. Debe extenderse sobre toda la hornilla o rodearla).
 - Del color correcto. Debe ser azul, con un cono interno y externo. Consulte la siguiente tabla *Características de las llamas* para obtener más información.
4. Pruebe cada hornilla de la estufa de esta manera. Si alguna llama es de color amarillo o no se extiende adecuadamente, comuníquese con el servicio técnico.

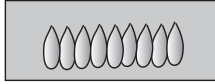
Características de las llamas



Llamas amarillas:
Se requiere un ajuste adicional.



Puntas amarillas en conos externos:
Normal para gas LP.



Llamas azul claro:
Normal para gas natural.

Si la llama es amarilla completamente o en su mayor parte, verifique que el regulador esté programado para el combustible correcto. Después de ajustarla, vuelva a probarla.

Ver algunas vetas amarillas es normal durante el encendido inicial. Permita que la unidad funcione de 4 a 5 minutos y vuelva a evaluar.

Cuando se verifica que la llama es del color, de la extensión y del tamaño correctos, finalizará la prueba de la hornilla.

Si alguna de las pruebas no resulta como se explicó anteriormente, comuníquese con el servicio técnico de Bosch para obtener asistencia. De lo contrario, la instalación está completa en este momento.

Servicio técnico

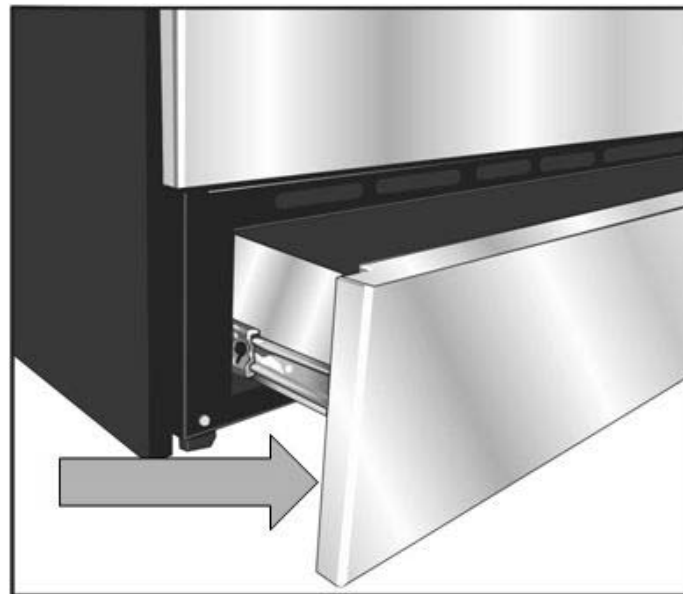
Antes de llamar al servicio técnico

Para obtener información sobre resolución de problemas, consulte el Manual de uso y cuidado. Consulte la Declaración de garantía limitada del producto en el Manual de uso y cuidado.

Para comunicarse con un representante de servicio técnico, consulte la información de contacto que aparece en el frente del manual. Cuando llame, tenga a la mano la información impresa en la placa de datos de su producto.

Placa de datos

La placa de datos muestra el modelo y el número de serie. Al solicitar servicio técnico, consulte la placa de datos del electrodoméstico. La placa de datos está ubicada en la parte trasera de la parte delantera del cajón. Abra el cajón para verla.





BOSCH

Invented for life