


# Ranges

**A range of ways to cook.  
One exceptional way to engineer them.**





Love a sleek, built-in look but only have room for a range? Upgrade from a freestanding range to a slide-in range without changing cabinetry or countertops. These sleek, full-depth slide-in ranges optimize counter space, offering five burners, ovens with European convection and a convenient warming drawer.

With precise German-engineered performance, Bosch freestanding ranges offer burners with high heat and low simmer options for optimal cooking flexibility. Choose from gas or electric models in stainless steel, white or black.

# Benchmark™ Ranges

European design that slides right in.



## Fuel Options

Bosch slide-in ranges are available in gas, electric, dual fuel and induction. The Bosch induction slide-in range is one of the very few induction slide-in ranges on the market, and offers a powerful and efficient cooking option with only a 40 Amp circuit.



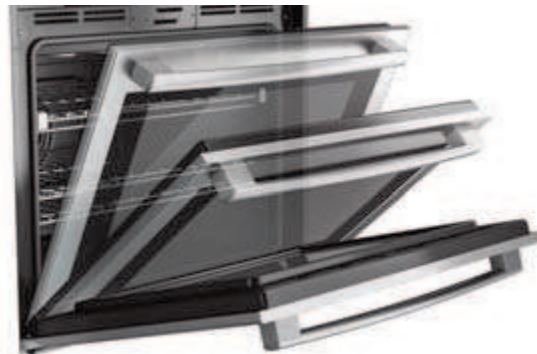
## Genuine European Convection Cooking

Bosch Genuine European Convection uses a third heating element for faster and more even cooking on all racks. Available in dual fuel, electric and induction slide-in ranges.



## Dual-Stacked Burner

The Bosch Benchmark™ gas slide-in range features a versatile 20,000 BTU dual-stacked burner that delivers both fast boiling and low simmering for greater cooking flexibility.



## SmoothClose Door

The Bosch Benchmark™ slide-in range oven features a door that closes smoothly and effortlessly, without slamming shut. It's a premium feel and feature, and is another first from Bosch for slide-in ranges.





# Benchmark™ Gas & Dual-Fuel Slide-in Ranges



## HGIP054UC (Gas)

- Full-depth Slide-in Range
- 5 Burners
- 20,000 BTU Dual-Stacked Burner
- SmoothClose Door
- Telescopic Rack
- Meat Probe
- Warming Drawer



## HDIP054U (Dual-Fuel)

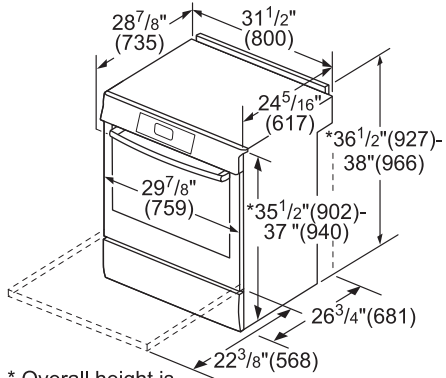
- Full-depth Slide-in Range
- 5 Burners
- 20,000 BTU Dual-Stacked Burner
- + Genuine European Convection
- SmoothClose Door
- Telescopic Rack
- Meat Probe
- Warming Drawer

+ Indicates a step-up feature

	Gas	Dual-Fuel
	Stainless Steel – HGIP054UC	Stainless Steel – HDIP054U
<b>General Properties</b>		
Cooking modes	Bake, Variable Broil (hi & low), Roast, Warm, Proof, Convection Bake, Convection Roast, Convection Conversion, Pizza, Meat Probe, Sabbath	Bake, Variable Broil (hi & low), Roast, Warm, Proof, Convection Bake, Convection Broil, Convection Roast, Convection Multi-Rack, Convection Conversion, Pizza, Meat Probe, Fast Preheat, Sabbath
Cleaning type	Self clean	Self clean
Type of grate	Cast iron	Cast iron
Knob material	Metal	Metal
Drawer type	Warming drawer	Warming drawer
Sealed burners	Yes	Yes
<b>Oven Performance</b>		
Bake / broil burner power BTU	18,000 / 12,500 BTU	N/A
Bake / broil element watts (W)	N/A	2,400 / 3,800 W
Convection element watts (W)	N/A	2,000 W
<b>Burner Performance</b>		
Total number of cooktop burners	5	5
Total cooktop (NG / LP) BTU	55,000 / 48,500	55,000 / 48,500
Power of front left burner (NG / LP) BTU	10,000 / 8,000	10,000 / 8,000
Power of back left burner (NG / LP) BTU	5,000 / 5,000	5,000 / 5,000
Power of center burner (NG / LP) BTU	20,000 / 17,000	20,000 / 17,000
Power of back right burner (NG / LP) BTU	5,000 / 5,000	5,000 / 5,000
Power of front right burner (NG / LP) BTU	15,000 / 13,500	15,000 / 13,500
<b>Technical Details</b>		
Watts (W)	N/A	6,400 W
Circuit breaker (A)	15 A	30 A
Volts (V)	120 V	208 V / 240 V
Frequency (Hz)	60 Hz	60 Hz
Plug type	US 3-prong	N/A
Cord length (in.)	78"	N/A
Energy source	Gas	Mixed Electric / Gas
Gas type	Natural gas 15 mbar (USA)	Natural gas 15 mbar (USA)
Alternative gas type	LP 27, 5 mbar (USA)	LP 27, 5 mbar (USA)
<b>Dimensions &amp; Weight</b>		
Overall appliance dimensions (HxWxD) (in.)	35 1/2" x 31 1/2" x 28 7/8"	35 1/2" x 31 1/2" x 28 7/8"
Required cutout size (HxWxD) (in.)	35 1/2" x 30" x 25"	35 1/2" x 30" x 25"
Adjustable range height (in.)	1 1/2"	1 1/2"
Overall Oven Interior Dimensions (HxWxD) (in.)	17 13/16" x 24 1/8" x 18"	17 13/16" x 24 1/8" x 18"
Usable Oven Interior Dimensions (HxWxD) (in.)	12 5/16" x 23 1/4" x 15 1/2"	12 5/16" x 23 1/4" x 15 1/2"
Net weight (lbs)	243 lbs	243 lbs
<b>Accessories Included</b>		
Included	Use and care manual, installation guide, mounting hardware, island trim, meat probe, LP conversion kit, standard racks, telescopic rack	Use and care manual, installation guide, mounting hardware, island trim, meat probe, LP conversion kit, standard racks, telescopic rack

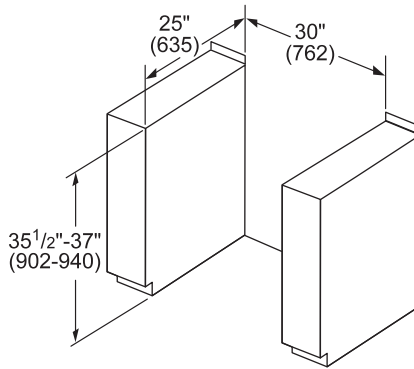
# Benchmark™ Gas & Dual-Fuel Slide-in Ranges

## Gas and Dual-Fuel Range Dimensions



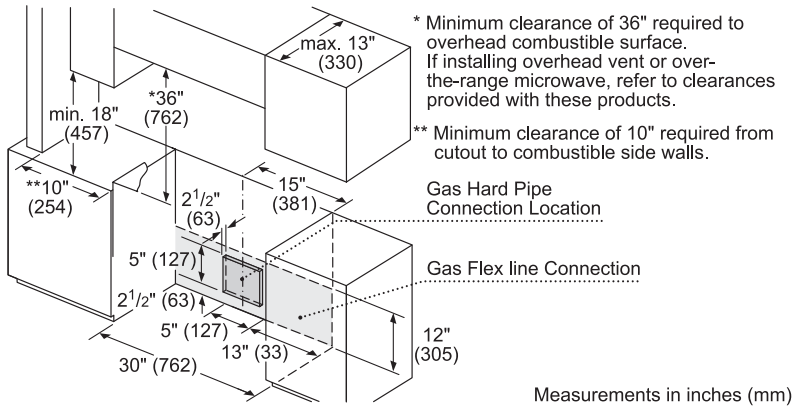
\* Overall height is adjustable via leveling legs.

## Gas and Dual-Fuel Cutout Dimensions



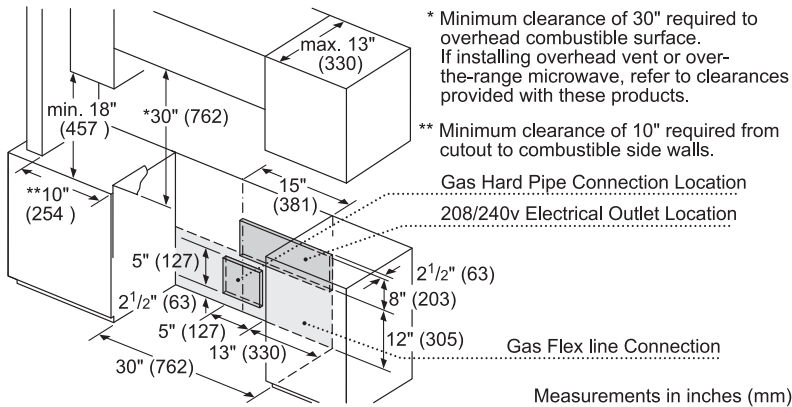
measurements in inches (mm)

## Gas Range Installation



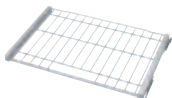
Measurements in inches (mm)

## Dual-Fuel Range Installation



Measurements in inches (mm)

## Optional Accessories



HEZTR301  
30" Telescopic rack



HGZBS301  
Low backguard



HEZGR301  
Griddle



HEZ298102  
Wok ring

# 800 Series Gas & Dual-Fuel Slide-in Ranges



### HG18054UC (Gas)

- Full-depth Slide-in Range
- 18,000 BTU Burner
- 5 Burners
- Warming Drawer



### HDI8054U (Dual-Fuel)

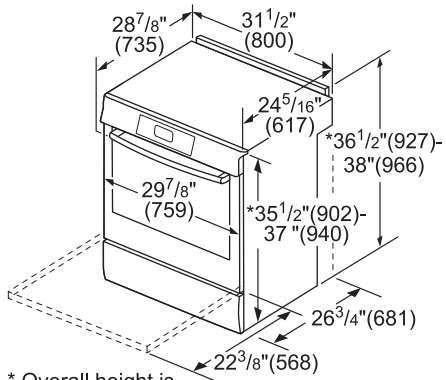
- Full-depth Slide-in Range
- 18,000 BTU Burner
- 5 Burners
- + Genuine European Convection
- + Meat Probe
- Warming Drawer

+ Indicates a step-up feature

	Gas	Dual-Fuel
	Stainless Steel – HG18054UC	Stainless Steel – HDI8054U
<b>General Properties</b>		
Cooking modes	Bake, Variable Broil (hi & low), Roast, Warm, Proof, Convection Bake, Convection Roast, Convection Conversion, Pizza, Sabbath	Bake, Variable Broil (hi & low), Roast, Warm, Proof, Convection Bake, Convection Broil, Convection Roast, Convection Multi-Rack, Convection Conversion, Pizza, Meat Probe, Fast Preheat, Sabbath
Cleaning type	Self clean	Self clean
Type of grate	Cast iron	Cast iron
Knob material	Metal	Metal
Drawer type	Warming drawer	Warming drawer
Sealed burners	Yes	Yes
<b>Oven Performance</b>		
Bake / broil burner power BTU	18,000 / 12,500 BTU	N/A
Bake / broil element watts (W)	N/A	2,400 / 3,800 W
Convection element watts (W)	N/A	2,000 W
<b>Burner Performance</b>		
Total number of cooktop burners	5	5
Total cooktop (NG / LP) BTU	53,000 / 44,000	53,000 / 44,000
Power of front left burner (NG / LP) BTU	10,000 / 8,000	10,000 / 8,000
Power of back left burner (NG / LP) BTU	5,000 / 5,000	5,000 / 5,000
Power of center burner (NG / LP) BTU	18,000 / 12,500	18,000 / 12,500
Power of back right burner (NG / LP) BTU	5,000 / 5,000	5,000 / 5,000
Power of front right burner (NG / LP) BTU	15,000 / 13,500	15,000 / 13,000
<b>Technical Details</b>		
Watts (W)	N/A	6,400 W
Circuit breaker (A)	15 A	30 A
Volts (V)	120 V	208 V / 240 V
Frequency (Hz)	60 Hz	60 Hz
Plug type	US 3-prong	N/A
Cord length (in.)	78"	N/A
Energy source	Gas	Mixed Electric / Gas
Gas type	Natural gas 15 mbar (USA)	Natural gas 15 mbar (USA)
Alternative gas type	LP 27, 5 mbar (USA)	LP 27, 5 mbar (USA)
<b>Dimensions &amp; Weight</b>		
Overall appliance dimensions (HxWxD) (in.)	35 1/2" x 31 1/2" x 28 7/8"	35 1/2" x 31 1/2" x 28 7/8"
Required cutout size (HxWxD) (in.)	35 1/2" x 30" x 25"	35 1/2" x 30" x 25"
Adjustable range height (in.)	1 1/2"	1 1/2"
Overall Oven Interior Dimensions (HxWxD) (in.)	17 13/16" x 24 1/8" x 18"	17 13/16" x 24 1/8" x 18"
Usable Oven Interior Dimensions (HxWxD) (in.)	12 5/16" x 23 1/4" x 15 1/2"	12 5/16" x 23 1/4" x 15 1/2"
Net weight (lbs)	243 lbs	243 lbs
<b>Accessories Included</b>		
Included	Use and care manual, installation guide, mounting hardware, island trim, LP conversion kit, standard racks	Use and care manual, installation guide, mounting hardware, island trim, meat probe, LP conversion kit, standard racks

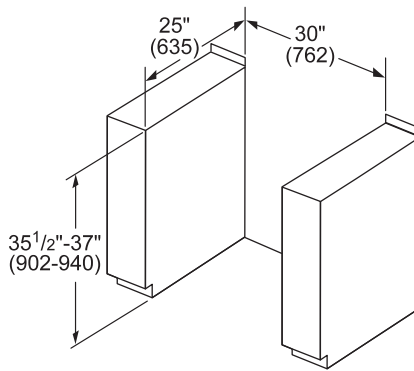
# 800 Series Gas & Dual-Fuel Slide-in Ranges

## Gas and Dual-Fuel Range Dimensions



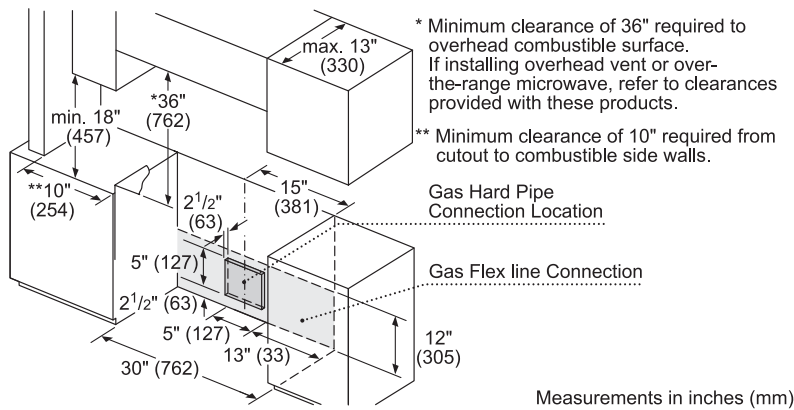
\* Overall height is adjustable via leveling legs.

## Gas and Dual-Fuel Cutout Dimensions



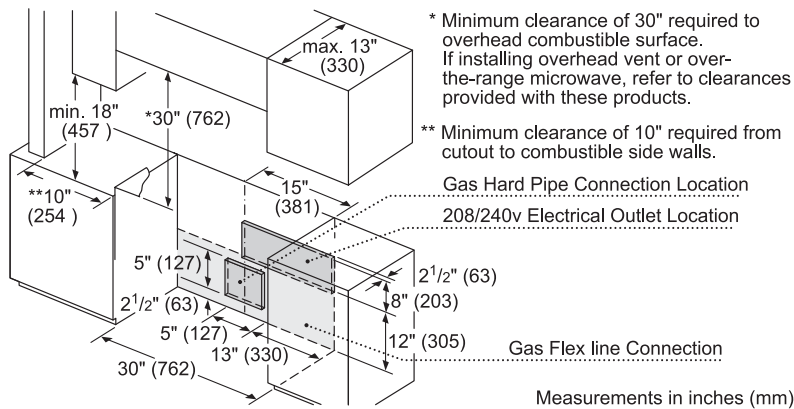
measurements in inches (mm)

## Gas Range Installation



Measurements in inches (mm)

## Dual-Fuel Range Installation



Measurements in inches (mm)

### Optional Accessories



HEZTR301  
30" Telescopic rack



HGZBS301  
Low backguard



HEZGR301  
Griddle



HEZ298102  
Wok ring



# Benchmark™ Electric & Induction Slide-in Ranges



## HEIP054U (Electric)

- Full-depth Slide-in Range
- 12" 3,000-Watt Triple-Ring Element
- 9.5" 3,200- / 1100-Watt Versatile Element
- 4 Elements + 1 Warming Zone
- SmoothClose Door
- Telescopic Rack
- Meat Probe
- Warming Drawer



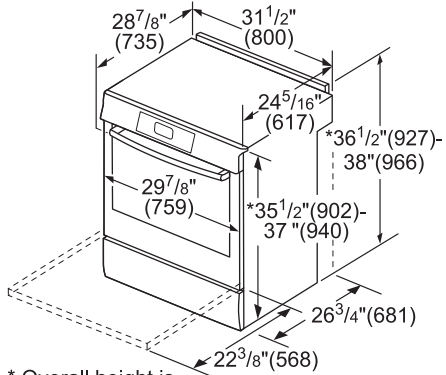
## HIIP054U (Induction)

- Full-depth Slide-in Range
- Induction Cooktop Offers Faster, Cleaner and More Efficient Cooking
- Powerful 3,600-Watt Speeds Cooking Time
- SmoothClose Door
- Telescopic Rack
- Meat Probe

	Electric	Induction
	Stainless Steel – HEIP054U	Stainless Steel – HIIP054U
<b>General Properties</b>		
Cooking modes	Bake, Variable Broil (hi & low), Roast, Warm, Proof, Convection Bake, Convection Broil, Convection Roast, Convection Multi-Rack, Convection Conversion, Pizza, Meat Probe, Fast Preheat, Sabbath	Bake, Variable Broil (hi & low), Roast, Warm, Proof, Convection Bake, Convection Broil, Convection Roast, Convection Multi-Rack, Convection Conversion, Pizza, Meat Probe, Fast Preheat, Sabbath
Cleaning type	Self clean	Self clean
Knob material	Metal	Metal
Drawer type	Warming drawer	Warming drawer
<b>Oven Performance</b>		
Bake / broil element watts (W)	2,400 / 3,800 W	2,400 / 3,800 W
Convection element watts (W)	2,000 W	2,000 W
<b>Element Performance</b>		
Total number of cooktop elements	5	4
Power of front left element watts (W)	1,050 / 1,950 / 3,000 W	2,200 W (3,300 w/boost)
Power of back left element watts (W)	1,200 W	1,400 W (1,800 w/boost)
Power of center element watts (W)	100 W	N/A
Power of back right element watts (W)	1,200 W	2,400 W (3,600 w/boost)
Power of front right element watts (W)	1,100 / 3,200 W	1,400 W (1,800 w/boost)
<b>Element Size</b>		
Dimension of front left heating element	6" / 9" / 12"	9"
Dimension of back left heating element	6"	6"
Dimension of center heating element	6"	N/A
Dimension of back right heating element	6"	11"
Dimension of front right heating element	9.5"	6"
<b>Technical Details</b>		
Watts (W)	14,800 W	13,800 W
Circuit breaker (A)	40 A	40 A
Volts (V); Frequency (Hz)	208 V / 240 V; 60 Hz	208 V / 240 V; 60 Hz
Plug type	N/A	N/A
Cord length (in.)	N/A	N/A
Energy source	Electric	Electric
<b>Dimensions &amp; Weight</b>		
Overall appliance dimensions (HxWxD) (in.)	35 1/2" x 31 1/2" x 28 7/8"	35 1/2" x 31 1/2" x 28 7/8"
Required cutout size (HxWxD) (in.)	35 1/2" x 30" x 25"	35 1/2" x 30" x 25"
Adjustable range height (in.)	1 1/2"	1 1/2"
Overall Oven Interior Dimensions (HxWxD) (in.)	17 13/16" x 24 1/8" x 18"	17 13/16" x 24 1/8" x 18"
Usable Oven Interior Dimensions (HxWxD) (in.)	12 5/16" x 23 1/4" x 15 1/2"	12 5/16" x 23 1/4" x 15 1/2"
Net weight (lbs)	248 lbs	248 lbs
<b>Accessories Included</b>		
Included	Use and care manual, installation guide, mounting hardware, island trim, meat probe, standard racks, telescopic rack	Use and care manual, installation guide, mounting hardware, island trim, meat probe, standard racks, telescopic rack

# Benchmark™ Electric & Induction Slide-in Ranges

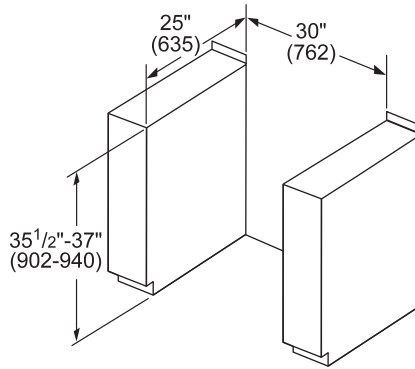
## Electric and Induction Range Dimensions



\* Overall height is adjustable via leveling legs.

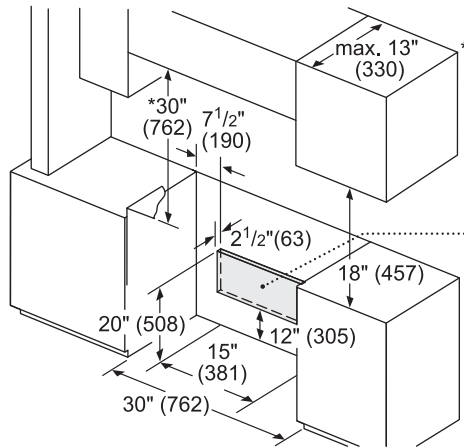
measurements in inches (mm)

## Electric and Induction Range Cutout Dimensions



measurements in inches (mm)

## Electric and Induction Range Installation

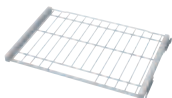


\* Minimum clearance of 30" required to overhead combustible surface. If installing overhead vent or over-the-range microwave, refer to clearances provided with these products.

208/240v Electrical Outlet Location

Measurements in inches (mm)

### Optional Accessories



HEZTR301  
30" Telescopic rack



HEZBS301  
Low backguard

# 800 Series Electric Slide-in Range



## HEI8054U

- Full-depth Slide-in Range
- 6" / 9" 3,000-Watt Dual-Ring Element
- 9.5" 3,200- / 1100-Watt Versatile Element
- 4 Elements + 1 Warming Zone
- Warming Drawer

### Electric

Stainless Steel – HEI8054U

#### General Properties

Cooking modes	Bake, Variable Broil (hi & low), Roast, Warm, Proof, Convection Bake, Convection Broil, Convection Roast, Convection Multi-Rack, Convection Conversion, Pizza, Fast Preheat, Sabbath
Cleaning type	Self clean
Knob material	Metal
Drawer type	Warming drawer

#### Oven Performance

Bake / broil element watts (W)	2,400 / 3,800 W
Convection element watts (W)	2,000 W

#### Element Performance

Total number of cooktop elements	5
Power of front left element watts (W)	1,400 / 3,000 W
Power of back left element watts (W)	1,200 W
Power of center element watts (W)	100 W
Power of back right element watts (W)	1,200 W
Power of front right element watts (W)	1,100 / 3,200 W

#### Element Size

Dimension of front left heating element	6" / 9"
Dimension of back left heating element	6"
Dimension of center heating element	6"
Dimension of back right heating element	6"
Dimension of front right heating element	9.5"

#### Technical Details

Watts (W)	14,800 W
Circuit breaker (A)	40 A
Volts (V); Frequency (Hz)	208 V / 240 V; 60 Hz
Plug type	N/A
Cord length (in.)	N/A
Energy source	Electric

#### Dimensions & Weight

Overall appliance dimensions (HxWxD) (in.)	35 1/2" x 31 1/2" x 28 7/8"
Required cutout size (HxWxD) (in.)	35 1/2" x 30" x 25"
Adjustable range height (in.)	1 1/2"
Overall Oven Interior Dimensions (HxWxD) (in.)	17 13/16" x 24 1/8" x 18"
Usable Oven Interior Dimensions (HxWxD) (in.)	12 5/16" x 23 1/4" x 15 1/2"
Net weight (lbs)	248 lbs

#### Accessories Included

Included	Use and care manual, installation guide, mounting hardware, island trim, standard racks
----------	---



# 300 / 500 Series Gas Freestanding Ranges



**300 Series**  
**HGS3053UC (Stainless)**  
**HGS3023UC (White)**  
**HGS3063UC (Black)**

- 5 Burners
- 16,000 BTU
- 500 BTU Simmer Burner
- 5.0 cu. ft.



**500 Series**  
**HGS5053UC**

- + Convection
- + Oval Shaped Burner
- + 17,000 BTU PowerBoil Burner



**500 Series DLX**  
**HGS5L53UC**

- + Stainless Steel Color Knobs

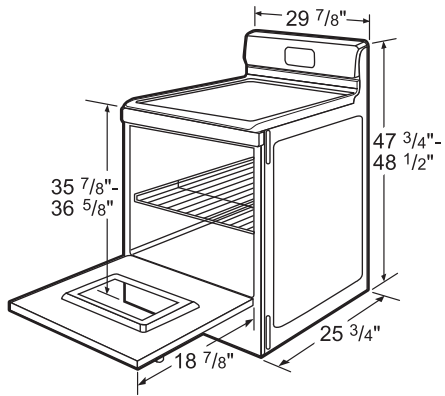


+ Indicates a step-up feature

	300 Series	500 Series	500 Series DLX
	Stainless Steel – HGS3053UC White – HGS3023UC Black – HGS3063UC	Stainless Steel – HGS5053UC	Stainless Steel – HGS5L53UC
<b>General Properties</b>			
Cooking modes	Bake and Broil	Convection Bake, Bake and Broil	Convection Bake, Bake and Broil
Cleaning type	Self clean	Self clean	Self clean
Type of grate	Cast iron	Cast iron	Cast iron
Knob material	Black Plastic	Black Plastic	Stainless Steel Color – Plastic
Drawer type	Storage drawer	Storage drawer	Storage drawer
Sealed burners	Yes	Yes	Yes
<b>Oven Performance</b>			
Bake burner power BTU	18,000 BTU	18,000 BTU	18,000 BTU
Broil burner power BTU	13,500 BTU	13,500 BTU	13,500 BTU
<b>Burner Performance</b>			
Total number of cooktop burners	5	5	5
Total cooktop (NG) BTU	52,000 BTU	53,000 BTU	53,000 BTU
Power of front left burner (NG) BTU	9,500 BTU	9,500 BTU	9,500 BTU
Power of back left burner (NG) BTU	12,000 BTU	12,000 BTU	12,000 BTU
Power of center burner (NG) BTU	9,500 BTU	9,500 BTU	9,500 BTU
Power of back right burner (NG) BTU	5,000 BTU	5,000 BTU	5,000 BTU
Power of front right burner (NG) BTU	16,000 BTU	17,000 BTU	17,000 BTU
<b>Technical Details</b>			
Watts (W)	1,800 W	1,800 W	1,800 W
Circuit breaker (A)	15 A	15 A	15 A
Volts (V)	120 V	120 V	120 V
Frequency (Hz)	60 Hz	60 Hz	60 Hz
Plug type	120V-3 prong	120V-3 prong	120V-3 prong
Cord length (in.)	46"	46"	46"
Energy source	Gas	Gas	Gas
Gas type	Natural gas 15 mbar (USA)	Natural gas 15 mbar (USA)	Natural gas 15 mbar (USA)
Alternative gas type	LP 27, 5 mbar (USA) – LP kit required	LP 27, 5 mbar (USA) – LP kit required	LP 27, 5 mbar (USA) – LP kit required
<b>Dimensions &amp; Weight</b>			
Overall appliance dimensions (HxWxD) (in.)	47 3/4" x 29 7/8" x 25 3/4"	47 3/4" x 29 7/8" x 25 3/4"	47 3/4" x 29 7/8" x 25 3/4"
Required cutout size (HxWxD) (in.)	30" width freestanding	30" width freestanding	30" width freestanding
Adjustable range height (in.)	3/4"	3/4"	3/4"
Net weight (lbs)	204 lbs	204 lbs	204 lbs
<b>Accessories Included</b>			
Included	Oven racks x 2	Oven racks x 2	Oven racks x 2

# 300 / 500 Series Gas Freestanding Ranges

## Gas Freestanding Range Dimensions



Dimensions in inches

## Optional Accessories



HEZ1090  
LP kit

# 300 / 500 Series Electric Freestanding Ranges



**300 Series**  
**HES3053U (Stainless)**  
**HES3023U (White)**  
**HES3063U (Black)**

- 4 Elements
- 9" Dual Element
- 3,000-Watt PowerBoil Element
- 5.4 cu. ft.



**500 Series**  
**HES5053U**

- + Convection
- + 12" Dual Element
- + 3,000-Watt PowerBoil Element
- + 100 W Warming Zone



**500 Series DLX**  
**HES5L53U**

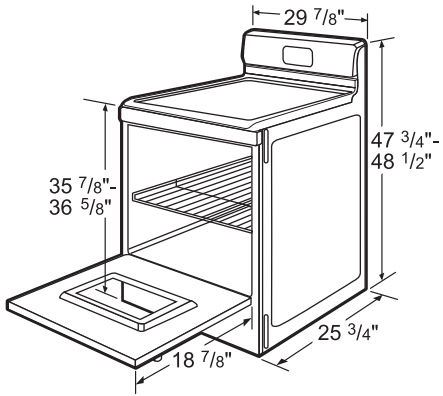
- + Stainless Steel Color Knobs

+ Indicates a step-up feature

	300 Series	500 Series	500 Series DLX
	Stainless Steel – HES3053U White – HES3023U Black – HES3063U	Stainless Steel – HES5053U	Stainless Steel – HES5L53U
<b>General Properties</b>			
Cooking modes	Bake and Broil	Convection Bake, Bake and Broil	Convection Bake, Bake and Broil
Cleaning type	Self clean	Self clean	Self clean
Knob material	Black Plastic	Black Plastic	Stainless Steel Color – Plastic
Drawer type	Storage drawer	Storage drawer	Storage drawer
<b>Oven Performance</b>			
Bake element watts (W)	3,500 W	3,500 W	3,500 W
Broil element watts (W)	3,600 W	3,600 W	3,600 W
<b>Element Performance</b>			
Total number of cooktop elements	4	5	5
Power of front left element watts (W)	2,500 W	3,000 W	3,000 W
Power of back left element watts (W)	1,200 W	1,200 W	1,200 W
Power of center element watts (W)	N/A	100 W	100 W
Power of back right element watts (W)	1,200 W	1,200 W	1,200 W
Power of front right element watts (W)	2,500 W	2,700 W	2,700 W
<b>Element Size</b>			
Dimension of front left heating element	6" / 9"	6" / 9"	6" / 9"
Dimension of back left heating element	6"	6"	6"
Dimension of center heating element	N/A	6"	6"
Dimension of back right heating element	6"	6"	6"
Dimension of front right heating element	6" / 9"	9" / 12"	9" / 12"
<b>Technical Details</b>			
Watts (W)	11,500 W	9,500 W	9,500 W
Circuit breaker (A)	40 A	40 A	40 A
Volts (V)	240 / 208 V	240 / 208 V	240 / 208 V
Frequency (Hz)	60 Hz	60 Hz	60 Hz
Plug type	No plug	No plug	No plug
Cord length (in.)	N/A	N/A	N/A
Energy source	Electric	Electric	Electric
<b>Dimensions &amp; Weight</b>			
Overall appliance dimensions (HxWxD) (in.)	47 3/4" x 29 7/8" x 25 3/4"	47 3/4" x 29 7/8" x 25 3/4"	47 3/4" x 29 7/8" x 25 3/4"
Required cutout size (HxWxD) (in.)	30" width freestanding	30" width freestanding	30" width freestanding
Adjustable range height (in.)	3/4"	3/4"	3/4"
Net weight (lbs)	159 lbs	159 lbs	159 lbs
<b>Accessories Included</b>			
Included	Oven racks x 2	Oven racks x 2	Oven racks x 2

# 300 / 500 Series Electric Freestanding Ranges

## Electric Freestanding Range Dimensions



Dimensions in inches