

# 24" Pocket Handle Dishwasher

Benchmark® Series – Stainless Steel SHP87PZ55N



**SHP87PZ55N**  
Stainless Steel

**Patented CrystalDry™ technology transforms moisture into heat to get dishes, including plastics, 60% drier.+**

## Features & Benefits

42 dBA: dishwasher runs quietly so your kitchen conversations aren't interrupted.

MyWay™ 3rd Rack easily fits larger & deeper items like cereal bowls and large utensils, freeing up extra space for pots & pans in the other racks.

Touch Control Technology allows for quick cycle programming.

TimeLight™ beams the remaining cycle time on the floor.

General Properties	
Number of wash cycles	6
Number of options	6
dBA	42
Third rack	MyWay® Rack
Rack adjustability	Rackmatic®
Tub material	Stainless Steel
Control type	Touch Control
Concealed water heating element	Yes
Leak protection system	24/7 AquaStop®
Water softener	No
Five-level wash	Yes
ChildLock	No
TimeLight®	Yes
Special features	CrystalDry™ Option
Efficiency	
Water usage per cycle	3.5
Energy efficiency class	Tier 1
ENERGY STAR® qualified	Yes
Total annual energy consumption (kWh)	269
Total annual water consumption (g)	623.5
Capacity	
Number of place settings	16

Technical Details	
Watts (W)	1440 W
Current (A)	12 Amps
Volts (V)	120 V
Frequency (Hz)	60 Hz
Power cord length - Install length from corner of unit	67" 45"
Minimum water pressure (lb/sin)	14
Length outlet hose (in)	79"
Dimensions & Weight	
Overall appliance dimensions (HxWxD)(in)	33 7/8" x 23 9/16" x 23 3/4"
Required cutout size (HxWxD)(in)	33 7/8" x 23 5/8" x 24"
Adjustable feet	Yes
Net weight (lbs)	102 lbs
Accessories—Optional	
Junction Box	SMZPCJB1UC
Drain Hose Extension Kit	SGZ1010UC
Anti-Tarnish Silverware Cassette	SMZ5002UC
Edge Protector	SMZEP001UC

+Based on aggregate average drying performance of Bosch Dishwashers with CrystalDry on combined household load including plastics, glass, steel, and porcelain as compared to Bosch Dishwashers with PureDry. Drying performance may vary by dish type.



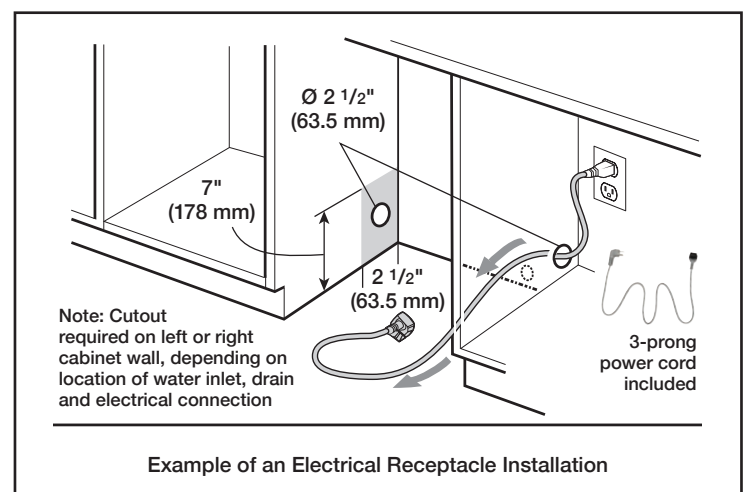
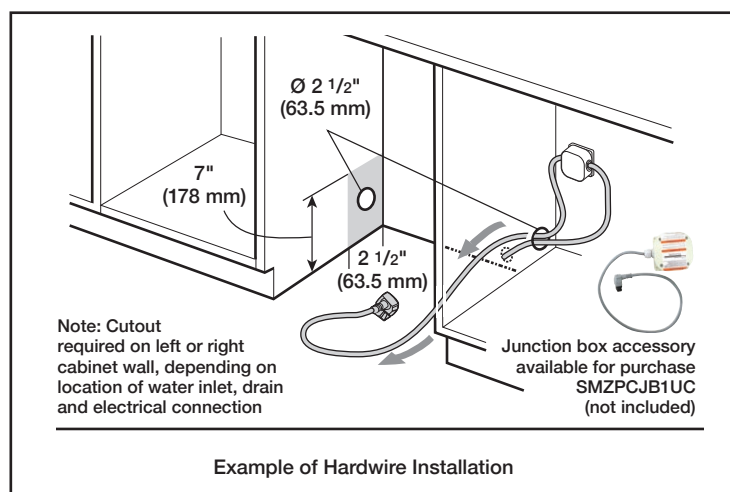
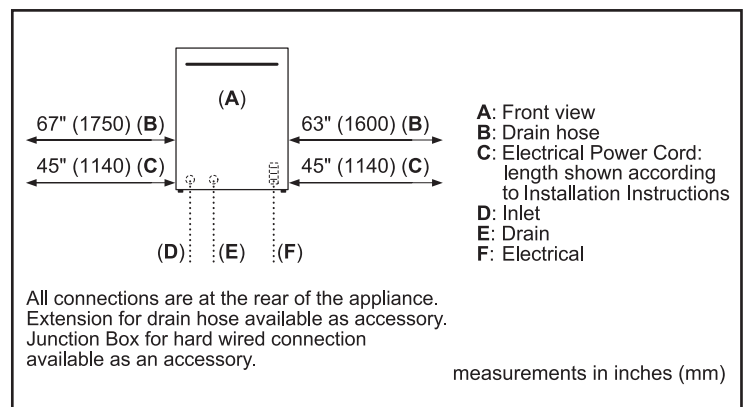
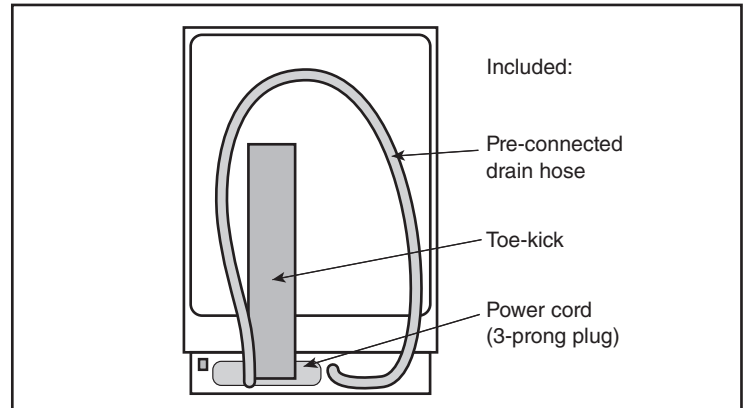
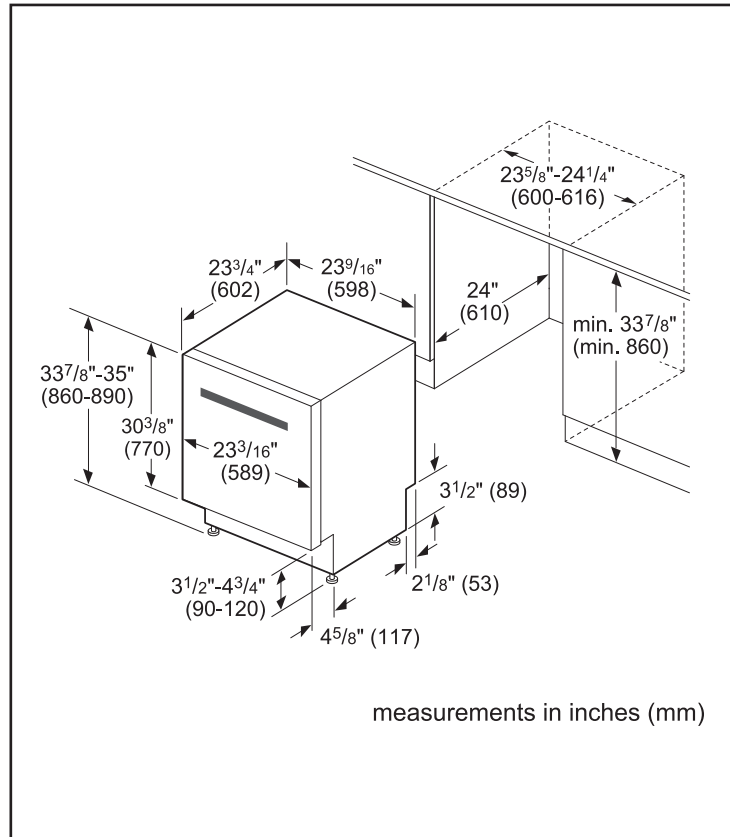
**Accessories:** To purchase Bosch accessories, cleaners & parts please visit [www.bosch-home.com/us/store](http://www.bosch-home.com/us/store) or call 1-800-944-2904 (Mon to Fri 5 am to 6 pm PST, Sat 6 am to 3 pm PST).  
**Notes:** All height, width and depth dimensions are shown in inches. BSH reserves the absolute and unrestricted right to change product materials and specifications, at any time, without notice. Consult the product's installation instructions for final dimensional data and other details prior to making cutout.  
**Warranties:** Please see Use & Care manual or Bosch website for statement of limited warranty.  
**For more information on our entire line of products, go to [www.bosch-home.com/us](http://www.bosch-home.com/us) or call 1-800-944-2904**  
 © BSH Home Appliances Corporation. All rights reserved. Bosch is a registered trademark of Robert Bosch GmbH.

# 24" Pocket Handle Dishwasher

Benchmark® Series – Stainless Steel SHP87PZ55N



## Installation Details



**Accessories:** To purchase Bosch accessories, cleaners & parts please visit [www.bosch-home.com/us/store](http://www.bosch-home.com/us/store) or call 1-800-944-2904 (Mon to Fri 5 am to 6 pm PST, Sat 6 am to 3 pm PST).

**Notes:** All height, width and depth dimensions are shown in inches. BSH reserves the absolute and unrestricted right to change product materials and specifications, at any time, without notice. Consult the product's installation instructions for final dimensional data and other details prior to making cutout.

**Warranties:** Please see Use & Care manual or Bosch website for statement of limited warranty.

**For more information on our entire line of products, go to [www.bosch-home.com/us](http://www.bosch-home.com/us) or call 1-800-944-2904**

© BSH Home Appliances Corporation. All rights reserved. Bosch is a registered trademark of Robert Bosch GmbH.

# 24" Pocket Handle Dishwasher

Benchmark® Series – Stainless Steel SHP87PZ55N

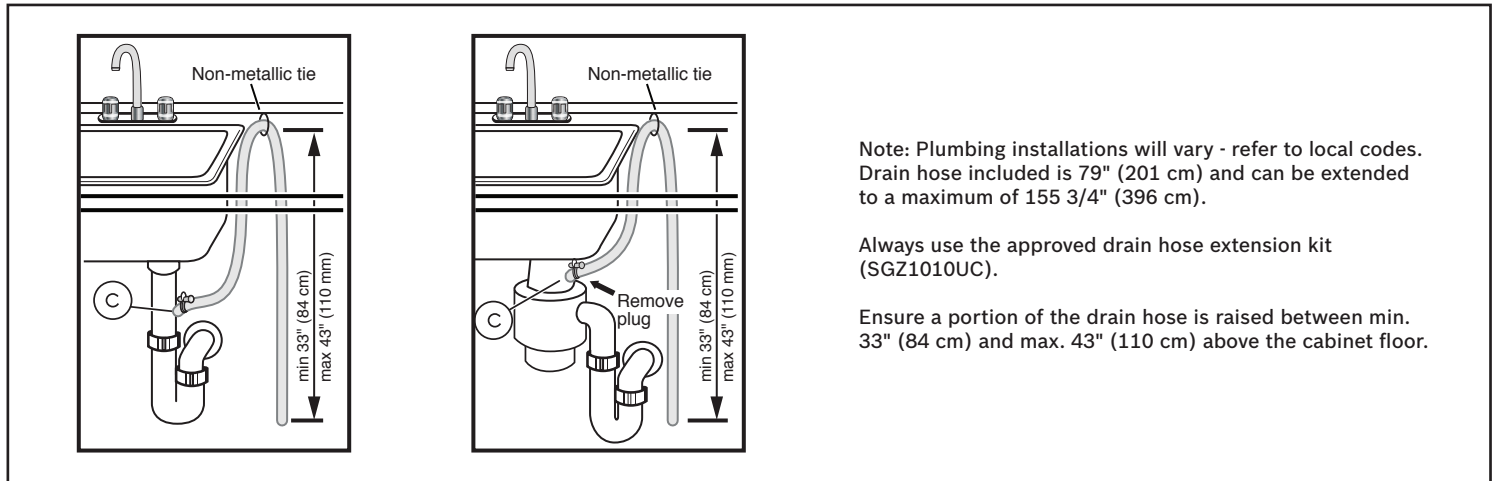


**BOSCH**

Invented for life



## Installation Details



**Accessories:** To purchase Bosch accessories, cleaners & parts please visit [www.bosch-home.com/us/store](http://www.bosch-home.com/us/store) or call 1-800-944-2904 (Mon to Fri 5 am to 6 pm PST, Sat 6 am to 3 pm PST).

**Notes:** All height, width and depth dimensions are shown in inches. BSH reserves the absolute and unrestricted right to change product materials and specifications, at any time, without notice. Consult the product's installation instructions for final dimensional data and other details prior to making cutout.

**Warranties:** Please see Use & Care manual or Bosch website for statement of limited warranty.

**For more information on our entire line of products, go to [www.bosch-home.com/us](http://www.bosch-home.com/us) or call 1-800-944-2904**

© BSH Home Appliances Corporation. All rights reserved. Bosch is a registered trademark of Robert Bosch GmbH.

06/19