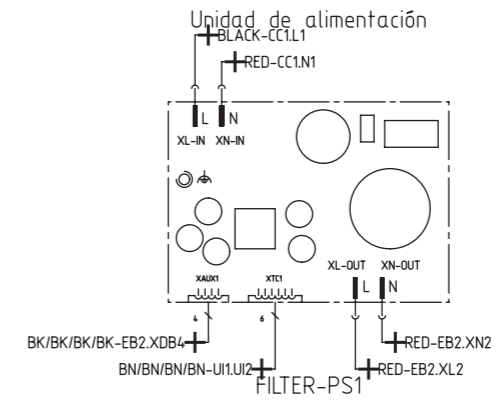
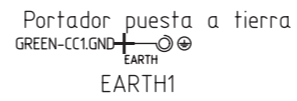
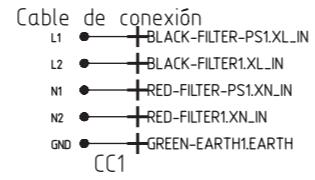
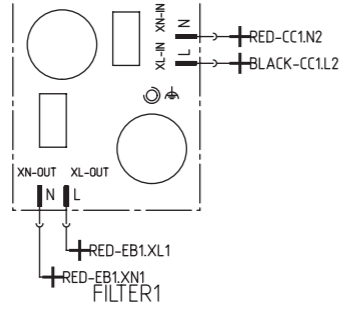
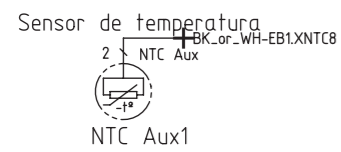
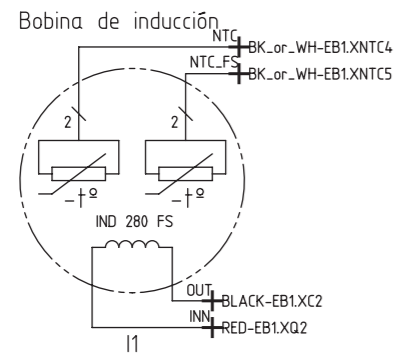
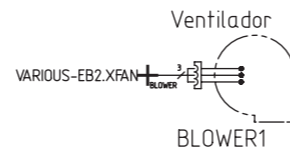
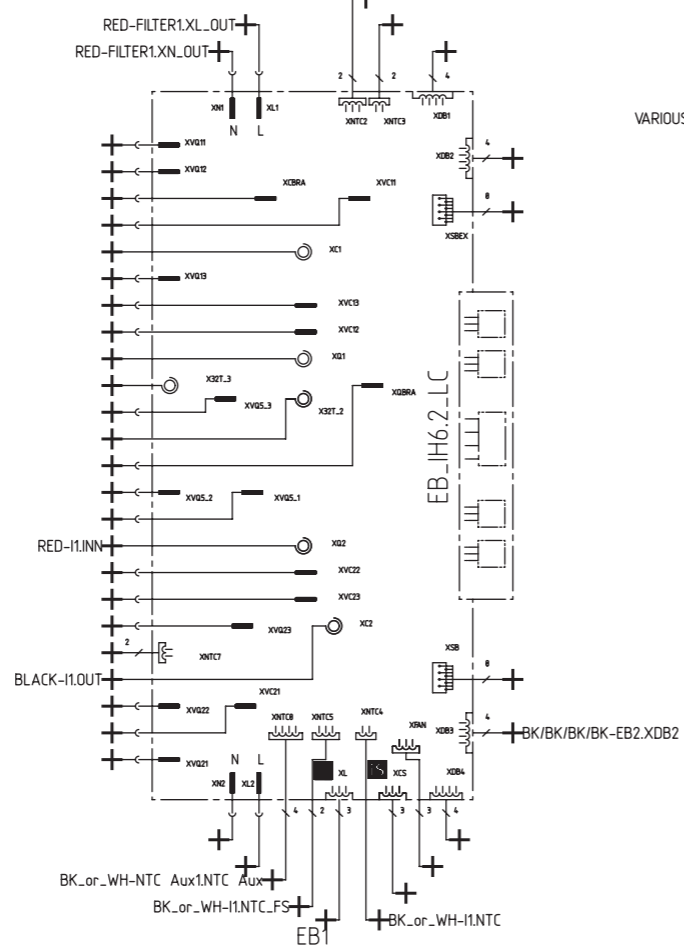


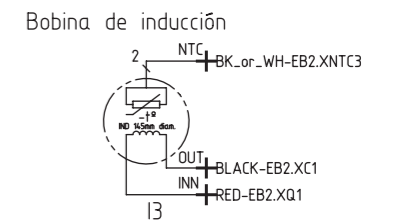
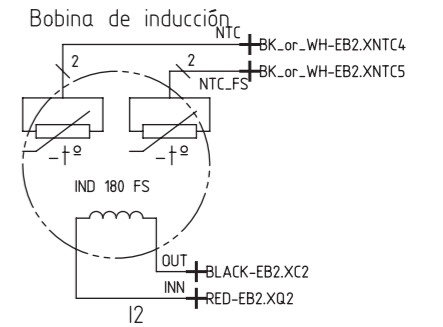
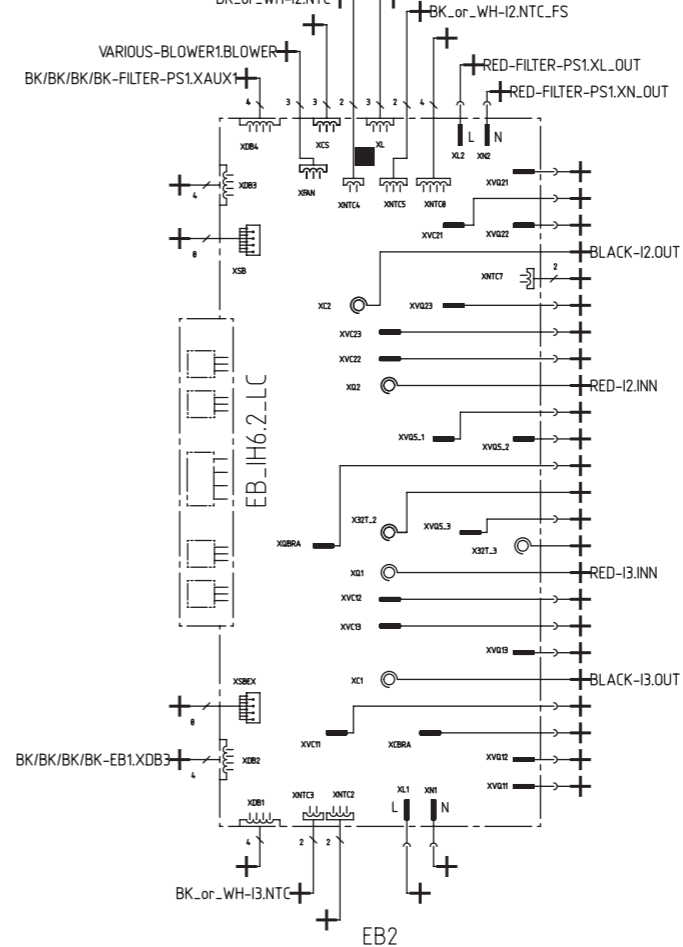
Filtro supresor de interferencias



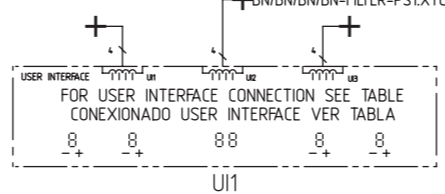
Unidad electrónica de potencia



Unidad electrónica de potencia



Placa electrónica de mando



USER INTERFACE CONNECTION PORTS / PUERTOS DE CONEXIÓN DEL USER INTERFACE			
PORT NAME / NOMBRE PUERTO	UI1	UI2	UI3
YL230	-	X32	-
YL231	-	X14.1	-

Inductor connection can also be made exchanging the wire that is connected to the other terminal of the inverter. (That is between XC1-XQ1 and between XQ2-XC2)

NTC_FS CONNECTION ONLY FOR FRYING SENSOR FUNCTION				
INDUCTOR	ELECTRONIC BOARD EB1		ELECTRONIC BOARD EB2	
	XNTC2	XNTC5	XNTC2	XNTC5
I1	-	X	-	-
I2	-	-	-	X

COLOURS IEC 60757			
Blue / Azul	BU	Orange / Naranja	OG
Brown / Marrón	BN	Pink / Rosa	PK
Black / Negro	BK	Turquoise / Turquesa	TQ
White / Blanco	WH	Grey / Gris	GY
Red / Rojo	RD	Violet / Violeta	VT
Green / Verde	GN	Gold / Oro	GD
Yellow / Amarillo	YE	Silver / Plata	SR
Green-Yellow / Verde-Amarillo	GN YE		