

**800 Series, Combination Oven, 30",
Stainless steel
HBL87M53UC**



Included accessories

1 x oven racks /lower
1 x temperature probe /lower

Optional accessories

HEZTR301 : Telescopic Oven Rack 30"

**Bosch microwave combination ovens
create an all-in-one cooking center with an
upper speed oven and a Genuine European
Convection oven below**

- With capacities of 1.6 cu. ft upper microwave and 4.6 cu. ft. lower oven allows enough space to cook everyday meals or for a crowd
- 10 convenient automatic sensor cooking programs to simplify cooking for great results every time
- 10 power levels with 950 watts of microwavable power provides quick and convenient cooking
- Lower oven's convection multi-rack mode gives uniform baking results even when using all 3 racks simultaneously
- Download Bosch Home Connect application and control the lower wall oven with your smart phone or tablet

Technical Data

Cooking mode :	Microwave
Cooking method second cavity :	3rd element convection, Convection Bake, Convection Broil, Convection Roast, Dough proving setting, Pizza setting, Small area grill, Top/bottom heating, Top heating, 1/3 bottom heat., Variable small-area grill, Warming
Integrated Cleaning system :	No
Number of interior lights :	1
Included accessories :	
	1 x oven racks /lower, 1 x temperature probe /lower
Bake Element Wattages cavity 1 (W) :	600
Broil Element Wattages cavity 1 (W) :	1750
Convection Element Wattages cavity 1 (W) :	1700
Microwave Wattages (W) :	1000
UPC code :	825225960164
Product color :	Stainless steel
Energy source :	Electric
Watts (W) :	7975
Current (A) :	40
Volts (V) :	208-240
Frequency (Hz) :	60
Approval certificates :	CSA
Power cord length (in) :	50"
Power cord length (cm) :	127
Appliance Dimensions (h x w x d) (cm) :	124.4 x 75.5 x 62.2
Required cutout size (HxWxD) (in) :	48 5/8" x 28 1/2" x 23 1/2"
Overall appliance dimensions (HxWxD) (in) :	49" x 29 3/4" x 24 1/2"
Overall appliance dimensions (HxWxD) (mm) :	1244 x 755 x 622
Product packaging dimensions (HxWxD) (in) :	55 3/4" x 34" x 31 1/2"
Product packaging dimensions (HxWxD) (mm) :	1441 x 787 x 863
Net weight (lbs) :	328
Net weight (kg) :	148.768
Gross weight (lbs) :	328
Gross weight (kg) :	149.0

800 Series, Combination Oven, 30", Stainless steel HBL87M53UC

Bosch microwave combination ovens create an all-in-one cooking center with an upper speed oven and a Genuine European Convection oven below

Design

- Bosch wall ovens can be installed flush for a sleek timeless design, or proud for a more traditional look
- Touch control with SteelTouch™ buttons makes operating the oven easier
- Bosch wall ovens are compatible with most existing cutouts

Performance

- Lower oven's convection multi-rack mode gives uniform baking results even when using all 3 racks simultaneously
- Family or guests late to dinner? Keep food warm in the lower oven without overcooking until ready to serve by using the warm mode
- Lower oven's proof mode maintains a low temperature to proof yeast doughs for an even and faster rise compared to being left on the countertop
- Closed-door broiling prevents intense heat from escaping the lower oven - offering rich, even browning on tender cuts of meat and perfectly toasted casseroles
- Lower oven comes with 2 standard racks and 1 telescopic rack that gives easier accessibility for large or heavy dishes
- Dampened hinges softly guide the lower oven's QuietClose door shut. It's premium engineering that you'll appreciate each time you close your oven

Efficiency

- Download Bosch Home Connect application and control the lower wall oven with your smart phone or tablet

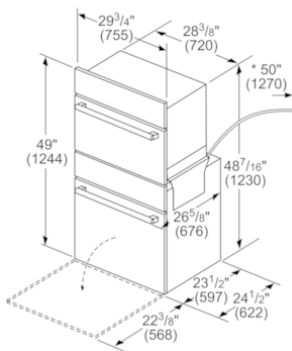
Convenience

- 1 light in the upper microwave and 2 lights in the lower oven gives visibility in the cavity so you can see the cooking progress
- Large oven window lets you monitor the cooking progress without opening the oven door to maintain a consistent oven temperature
- Keep your home safe by avoiding accidental or unsupervised use of your wall oven with the panel lock feature

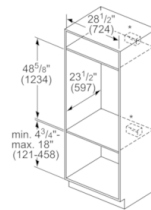
Capacity

- With capacities of 1.6 cu. ft upper microwave and 4.6 cu. ft. lower oven allows enough space to cook everyday meals or for a crowd

800 Series, Combination Oven, 30", Stainless steel HBL87M53UC

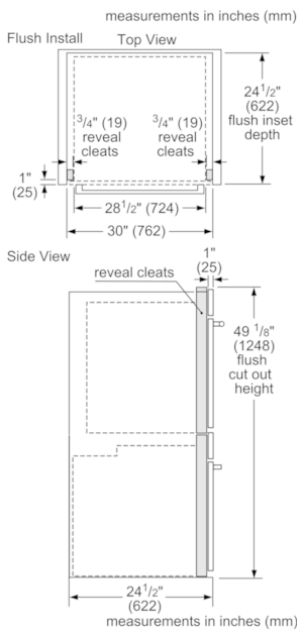


* Power conduit 50" (1270 mm) from the lower oven.

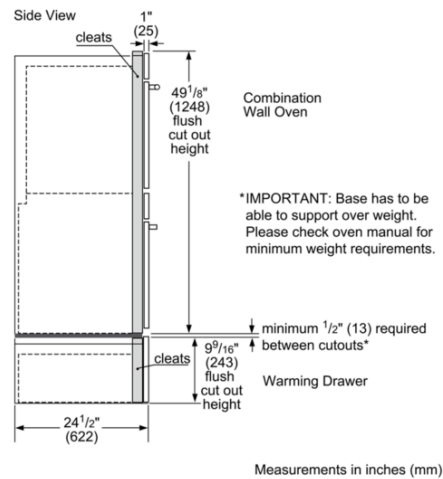


* Junction box may be installed above, below, or to the left or right of the unit within range of the power conduit.

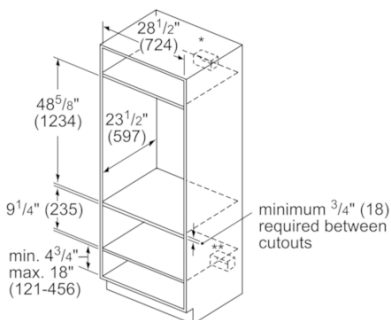
measurements in inches (mm)



Flush Installation Combination Oven over Storage or Warming Drawer



Standard Installation Combination Oven over Storage or Warming Drawer



* Wall oven junction box may be located above or right or left of the unit within reach of the power conduit.

** Electrical hook up may be located below (depending on space) or next to the drawer within the reach of the power cord.

Measurements in inches (mm)