

30" Single Wall Oven

500 Series White

HBL5420UC



Features and Benefits

Key Features

- Large Capacity at 4.7 Cu.Ft.
- Fast Preheat Reduces Preheat Time to around 7 Minutes
- Meat Probe Takes Guesswork out of Cooking
- Recipe Mode Provides 30 Pre-Programmed Auto Settings

Design

- Contemporary Stainless Steel Design
- ClearTouch® Glass Control
- Flush-to-Cabinet Design
- Retractable Controls for Sleek and Easy to Clean Design

Performance

- 14 Specialized Cooking Modes - Gourmet Cooking Made Easy
- Fast Preheat Reduces Preheat Time to around 7 Minutes
- Genuine European Convection With ACS
- Speed Convection Saves up to 30% Time
- Custom Cooking Modes: Pizza, Pie, Warm and Proof
- Meat Probe Takes Guesswork out of Cooking
- Recipe Mode Provides 30 Pre-Programmed Auto Settings

Efficiency

- EcoClean™ 2-Hour Self-Clean Cycle

Convenience

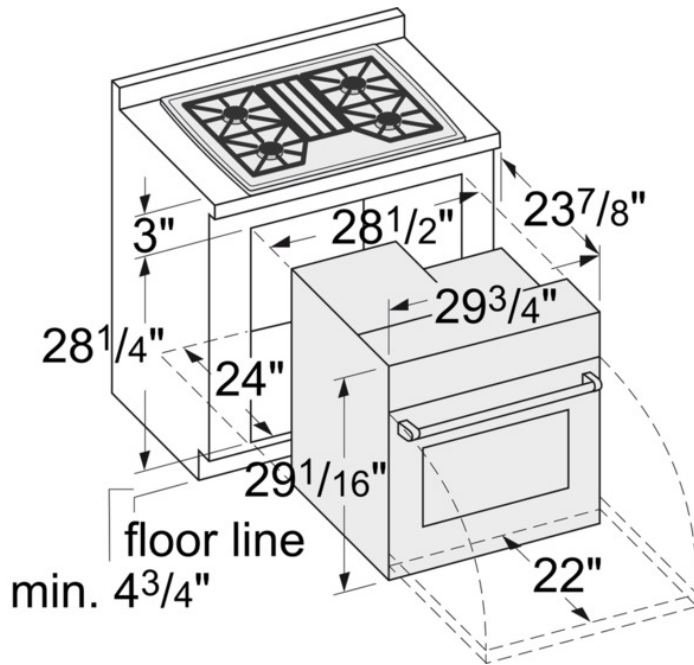
- Amber Colored Full Text Display
- Timer with Cook Time and Delay Start Function
- Extra Large Door Window for Easy Monitoring of Cooking

Notes: All height, width and depth dimensions are shown in inches. *Please refer to installation instructions prior to making cutout. BSH reserves the absolute and unrestricted right to change product materials and specifications, at any time, without notice. Consult the product's installation instructions for final dimensional data and other details. Applicable product warranty can be found in a accompanying product literature or you may contact your account manager for further details.

For more information on our entire line of products, go to boschappliances.com or call 1-800-944-2904.
Copyright ©2013 BSH Home Appliances Corporation. All rights reserved. Bosch is a registered trademark of Robert Bosch GmbH.

Litho Date: 04/2013

30" Single Wall Oven
500 Series White
HBL5420UC



Features

| | |
|--|--|
| Cooking method first cavity | Bake, Broil, Convection Bake, Convection Broil, Convection Roast, Dehydrate, Pie, Pizza, Proof, Sabbath function, Speed Convection, Top heating, 1/3 bottom heat., True Convection, Warm |
| Cleaning system - cavity 1 | Self Clean |
| Interior Lights - cavity 1 | 2 |
| Telescopic rack | |
| Timer settings | Alarm, timer |
| Included accessories | 3 x Oven racks /upper, 1 x Broiler pan /upper, 1 x Temperature probe /upper |
| Bake Element Wattages cavity 1 (W) | 2000 |
| Broil Element Wattages cavity 1 (W) | 3600 |
| Convection Element Wattages cavity 1 (W) | 2000 |
| Microwave Wattages (W) | |
| Drawer wattage (W) | |

Technical Specification

| | |
|---|---------------------------|
| UPC code | 825225843146 |
| Product color | White |
| Alternative colors available | HBL5450UC, HBL5460UC |
| Energy source | Electric |
| Watts (W) | 7300 |
| Current (A) | 30 |
| Volts (V) | 240/208 |
| Frequency (Hz) | 60 |
| Approval certificates | CSA |
| Power cord length (in) | 50" |
| Plug type | Fixed connection, No plug |
| Required cutout size (HxWxD) (in) | 28 1/4" x 28 1/2" x 24" |
| Product packaging dimensions (HxWxD) (in) | 34" x 34" x 31" |
| Net weight (lbs) | 167 |
| Gross weight (lbs) | 193 |

Notes: All height, width and depth dimensions are shown in inches. *Please refer to installation instructions prior to making cutout. BSH reserves the absolute and unrestricted right to change product materials and specifications, at any time, without notice. Consult the product's installation instructions for final dimensional data and other details. Applicable product warranty can be found in a accompanying product literature or you may contact your account manager for further details.

For more information on our entire line of products, go to boschappliances.com or call 1-800-944-2904.
Copyright ©2013 BSH Home Appliances Corporation. All rights reserved. Bosch is a registered trademark of Robert Bosch GmbH.

Litho Date: 04/2013