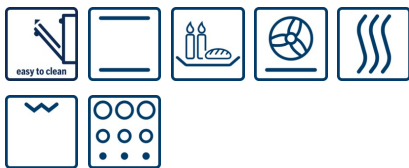


Ovens
**30" Single Wall Oven
500 Series - Stainless Steel
HBL5451UC**

Introducing a Newly Designed and Engineered Bosch Wall Oven Featuring European Convection and Heavy-duty Metal Knobs

- Genuine European Convection for Even Baking Results on Multiple Levels.
- Heavy-duty Metal Knobs for a Premium Look and Feel.
- Wall Ovens are Compatible with Most Competitors' Cut-Outs.
- The Wall Oven is Designed to be Installed Flush with your Cabinetry.

Technical Data

Cooking mode :	3rd element convection, Convection Bake, Convection Broil, Convection Roast, Conventional heat, Dough proving setting, Half width variable grill, Pizza setting, Top heating, 1/3 bottom heat., warming
Integrated Cleaning system :	Self Clean
Interior Lights - cavity 1 :	1
Timer settings :	Alarm, Off, On, timer
Included accessories :	2 x oven racks /upper
Bake Element Wattages cavity 1 (W) :	2400
Broil Element Wattages cavity 1 (W) :	3800
Convection Element Wattages cavity 1 (W) :	2000
UPC code :	825225906476
Product color :	Stainless steel
Energy source :	Electric
Watts (W) :	5000
Current (A) :	30
Volts (V) :	240/208
Frequency (Hz) :	60
Approval certificates :	CSA
Power cord length (in) :	50"
Power cord length (cm) :	127
Plug type :	fixed connection, no plug
Required cutout size (HxWxD) (in) :	
27" - 28 5/8" x 28 1/2" x 23 1/2"	
Required cutout size (HxWxD) (mm) :	686 x 724 x 597
Overall appliance dimensions (HxWxD) (mm) :	737 x 755 x 622
Product packaging dimensions (HxWxD) (in) :	31 1/4" x 34" x 31 1/2"
Net weight (lbs) :	160
Net weight (kg) :	72.0
Gross weight (lbs) :	177
Gross weight (kg) :	80.0

Included accessories

2 x oven racks /upper

Optional accessories

HEZTR301 : Telescopic Oven Rack 30"

Ovens

30" Single Wall Oven 500 Series - Stainless Steel HBL5451UC

Introducing a Newly Designed and Engineered Bosch Wall Oven Featuring European Convection and Heavy-duty Metal Knobs

Design

- Heavy-duty Metal Knobs

Performance

- 10 Specialized Cooking Modes - Gourmet Cooking Made Easy
- Custom Cooking Modes: Pizza, Pie, Warm and Proof
- Genuine European Convection
- Temperature Conversion for Convection Cooking

Efficiency

- EcoClean™ 2-Hour Self-Clean Cycle

Convenience

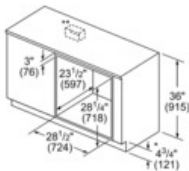
- One Oven Light to Better Monitor Cooking Progress
- Kitchen Timer
- Extra Large Door Window for Easy Monitoring of Cooking Process
- Star-K certified. 100°-450° F

Capacity

- Large Capacity at 4.6 Cu Ft.
- Recessed 8 Pass Broil Element for Increased Capacity and Safety

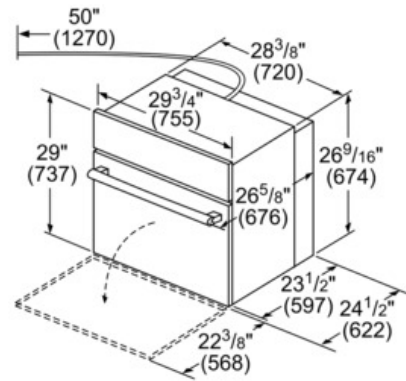
Ovens

30" Single Wall Oven 500 Series - Stainless Steel HBL5451UC

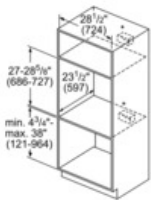


* Includes $\frac{3}{4}$ " (19) base plate
** For single ovens installed under a countertop, the junction box may be located to the left or right of the unit within reach of the power conduit.

measurements in inches (mm)



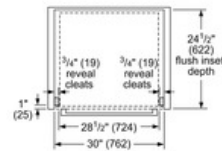
measurements in inches (mm)



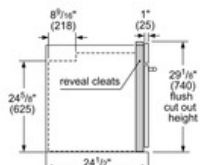
* For single ovens installed into a wall cabinet, the junction box may be located above or beneath the unit within reach of the power conduit.

measurements in inches (mm)

Flush Install Top View



Side View



measurements in inches (mm)