

30" Combination Wall Oven 800 Series - Stainless Steel HBL8750UC



Features and Benefits

Key Features

- Large Capacity at 4.7 Cu.Ft.
- Fast Preheat Reduces Preheat Time to around 7 Minutes
- Meat Probe Takes Guesswork out of Cooking
- Full-extension Telescopic Rack for Convenient Handling
- Halogen Lights Provide Superior Cavity Illumination

Design

- Contemporary Stainless Steel Design
- ClearTouch® Glass Control
- Flush-to-Cabinet Design
- 2-in-1 Design Oven and Convection Microwave

Performance

- 14 Specialized Cooking Modes - Gourmet Cooking Made Easy
- Fast Preheat Reduces Preheat Time to around 7 Minutes
- Genuine European Convection With ACS
- Speed Convection Saves up to 30% Time
- Custom Cooking Modes: Pizza, Pie, Warm and Proof
- Meat Probe Takes Guesswork out of Cooking
- Automatic Temperature Conversion for Convection Cooking
- Recipe Mode Provides 30 Pre-Programmed Auto Settings

Efficiency

- EcoClean™ 2-Hour Self-Clean Cycle

Convenience

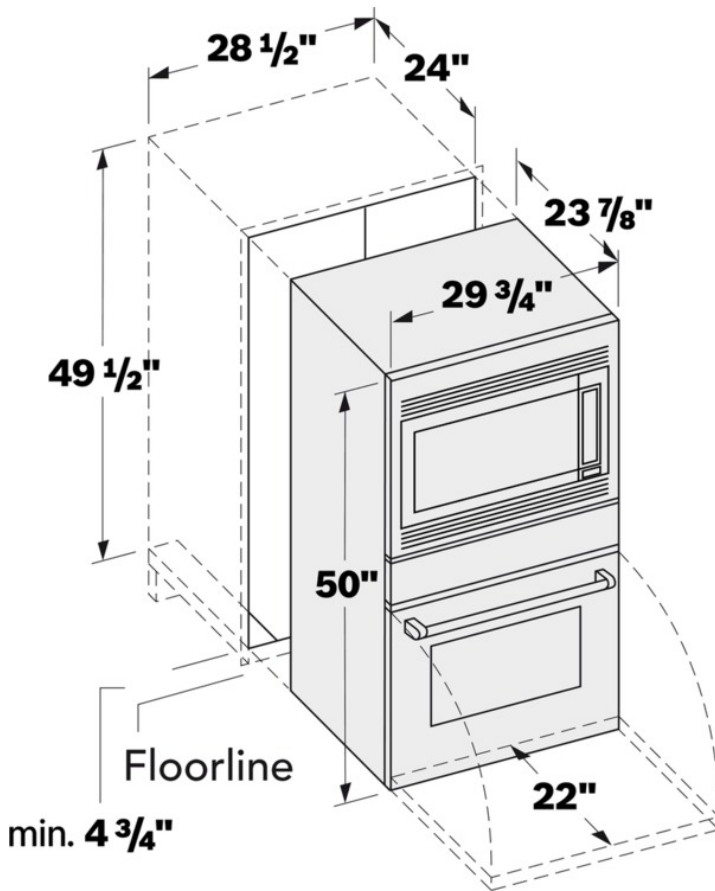
- Amber Colored Full Text Display

Notes: All height, width and depth dimensions are shown in inches. *Please refer to installation instructions prior to making cutout. BSH reserves the absolute and unrestricted right to change product materials and specifications, at any time, without notice. Consult the product's installation instructions for final dimensional data and other details. Applicable product warranty can be found in a accompanying product literature or you may contact your account manager for further details.

For more information on our entire line of products, go to boschappliances.com or call 1-800-944-2904.
Copyright ©2013 BSH Home Appliances Corporation. All rights reserved. Bosch is a registered trademark of Robert Bosch GmbH.

Litho Date: 04/2013

30" Combination Wall Oven
800 Series - Stainless Steel
HBL8750UC



Features

Cooking method first cavity	Microwave, True Convection
Cooking method second cavity	Bake, Broil, Convection Bake, Convection Broil, Convection Roast, Dehydrate, Intensive Convection (cavity 2), Pizza, Proof, Speed Convection, Top heating, 1/3 bottom heat., True Convection, Warm
Cleaning system - cavity 1	Self Clean
Number of interior lights	1
Electronic timer	programmable, Switch-off
Included accessories	2 x Oven racks /lower, 1 x Broiler pan /lower, 1 x variable telescopic drawer, 1 x Temperature probe /lower
Bake Element Wattages cavity 1 (W)	
Broil Element Wattages cavity 1 (W)	
Convection Element Wattages cavity 1 (W)	1400
Microwave Wattages (W)	1000

Technical Specification

UPC code	825225853138
Product color	Stainless steel
Alternative colors available	
Energy source	Electric
Watts (W)	10200
Current (A)	50
Volts (V)	240/208
Frequency (Hz)	60
Approval certificates	CSA
Power cord length (in)	50
Plug type	Fixed connection, No plug
Required cutout size (HxWxD) (in)	49 1/2" x 28 1/2" x 24"
Overall appliance dimensions (HxWxD) (in)	50" x 29 3/4" x 23 7/8"
Product packaging dimensions (HxWxD) (in)	56 3/4" x 34" x 31"
Net weight (lbs)	250
Gross weight (lbs)	287

Notes: All height, width and depth dimensions are shown in inches. *Please refer to installation instructions prior to making cutout. BSH reserves the absolute and unrestricted right to change product materials and specifications, at any time, without notice. Consult the product's installation instructions for final dimensional data and other details. Applicable product warranty can be found in a accompanying product literature or you may contact your account manager for further details.

For more information on our entire line of products, go to boschappliances.com or call 1-800-944-2904.
Copyright ©2013 BSH Home Appliances Corporation. All rights reserved. Bosch is a registered trademark of Robert Bosch GmbH.

Litho Date: 04/2013