

Double Oven

30" Microwave Combination Oven 800 Series - Stainless Steel HBL87M52UC



- Dampened Hinges Softly and Quietly Guide the QuietClose™ Door Shut.
- A Full-Extension Telescopic Rack Offers Safe Access to the Oven Cavity.
- Touch Control with SteelTouch™ Buttons Makes Operating the Oven Easier.
- The Wall Oven is Designed to be Installed Flush with your Cabinetry.

Technical Data

Cooking mode :	Microwave
Cooking method second cavity :	
3rd element convection, Convection Bake, Convection Broil, Convection Roast, Dough proving setting, Pizza setting, Small area grill, Top/bottom heating, Top heating, 1/3 bottom heat., Variable small-area grill, Warming	
Integrated Cleaning system :	No
Number of interior lights :	1
Included accessories :	
1 x oven racks /lower, 1 x temperature probe /lo	
Bake Element Wattages cavity 1 (W) :	600
Broil Element Wattages cavity 1 (W) :	1750
Convection Element Wattages cavity 1 (W) :	1700
Microwave Wattages (W) :	1000
UPC code :	825225926955
Product color :	Stainless steel
Energy source :	Electric
Watts (W) :	7975
Current (A) :	40
Volts (V) :	208-240
Frequency (Hz) :	60
Approval certificates :	CSA
Power cord length (in) :	50"
Power cord length (cm) :	127
Appliance Dimensions (h x w x d) (cm) :	124.4 x 75.5 x 62.2
Required cutout size (HxWxD) (in) :	48 5/8" x 28 1/2" x 23 1/2"
Overall appliance dimensions (HxWxD) (in) :	49" x 29 3/4" x 24 1/2"
Overall appliance dimensions (HxWxD) (mm) :	1244 x 755 x 622
Product packaging dimensions (HxWxD) (in) :	55 3/4" x 34" x 31 1/2"
Net weight (lbs) :	294
Net weight (kg) :	133.0
Gross weight (lbs) :	328
Gross weight (kg) :	149.0

Included accessories

- 1 x oven racks /lower
- 1 x temperature probe /lower

Optional accessories

- HEZTR301 : Telescopic Oven Rack 30"

Double Oven

30" Microwave Combination Oven **800 Series - Stainless Steel** **HBL87M52UC**

- Microwave Oven: For Additional Details Please Review SKU HMB50152UC

Design

- Touch control with SteelTouch™ Buttons for Easier Operation of the Oven

Performance

- 10 Microwave Power Levels
- Genuine European Convection
- Temperature Conversion for Convection Cooking
- Meat Probe Takes Guesswork out of Cooking
- Fast Preheat Reduces Preheat Time

Efficiency

- EcoClean™ 2-Hour Self-Clean Cycle

Convenience

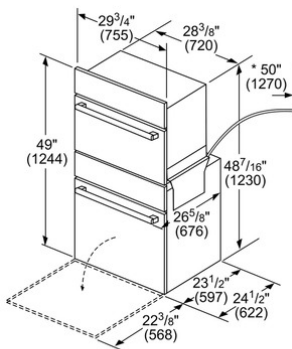
- Cut Outs Compatible with Most Market Competitors
- Two Oven Lights to Better Monitor Cooking Progress
- Timer with Cook Time and Delay Start Function
- Extra Large Door Window for Easy Monitoring of Cooking Process
- Star-K certified. 100°-450° F

Capacity

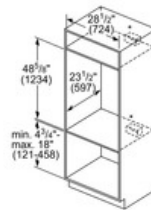
- Large Capacity at 4.6 Cu Ft.
- Recessed 8 Pass Broil Element for Increased Capacity and Safety

Double Oven

30" Microwave Combination Oven 800 Series - Stainless Steel HBL87M52UC

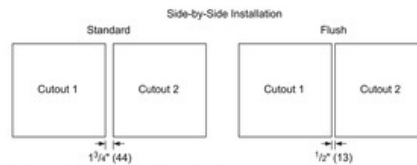
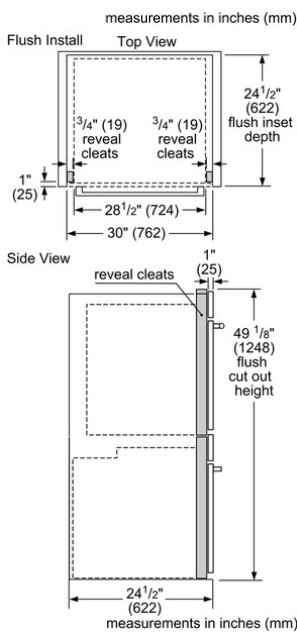


* Power conduit 50" (1270 mm) from the lower oven.



* Junction box may be installed above, below, or to the left or right of the unit within range of the power conduit.

measurements in inches (mm)

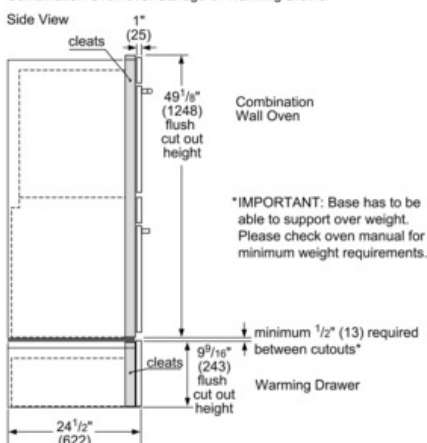


The ovens will overlap the cutout resulting in a $\frac{1}{2}$ " (13) spacing between the products

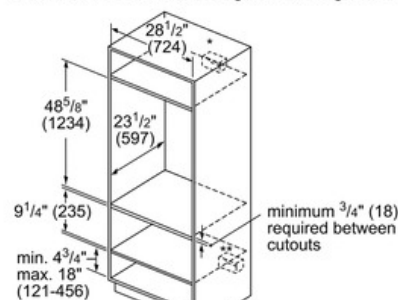
IMPORTANT: The spacing between cutouts applies when installing any BOSCH 30" or 27" single, double, combination and 27"/30" compact oven in a side-by-side installation.

Measurements in inches (mm)

Flush Installation Combination Oven over Storage or Warming Drawer



Standard Installation Combination Oven over Storage or Warming Drawer



* Wall oven junction box may be located above or right or left of the unit within reach of the power conduit.

** Electrical hook up may be located below (depending on space) or next to the drawer within the reach of the power cord.

Measurements in inches (mm)