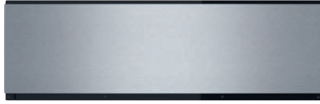


# 30" Warming Drawer

500 Series – Stainless Steel HWD5051UC



**HWD5051UC  
Stainless Steel**

The warming drawer keeps meals hot and is designed to match the perfectly flush fit of a Bosch wall, speed or steam oven.

## Features & Benefits

The warming drawer has 3 settings to keep meals hot and ready to serve.

Installs vertically under Bosch speed, steam or wall oven.

Matches Bosch built-in products. Install either flush or proud.

## General Properties

|                                 |                          |
|---------------------------------|--------------------------|
| Power levels                    | High, low, medium        |
| Dough proofing mode             | Yes                      |
| Temperature range               | 100°-190° F              |
| Timer 5 min.- 5 hours           | Yes                      |
| Automatic shut off after 1 hour | Yes                      |
| Door opening                    | Push to Open             |
| Hinges                          | Ball bearing hinges      |
| Wattage heating element         | 450W                     |
| Control type                    | Illuminated TouchControl |

## Capacity

|                           |             |
|---------------------------|-------------|
| Cavity capacity (cu. ft.) | 2.2 cu. ft. |
|---------------------------|-------------|

## Technical Details

|                        |              |
|------------------------|--------------|
| Watts (W)              | 450 W        |
| Circuit breaker (A)    | 15 A         |
| Volts (V)              | 120 V        |
| Frequency (Hz)         | 60 Hz        |
| Power cord length (in) | 84"          |
| Plug type              | 120V-3 prong |

## Dimensions & Weight

|   |                             |
|---|-----------------------------|
| Overall appliance dimensions (HxWxD) (in) | 9 7/16" x 29 3/4" x 23 1/2" |
| Required cutout size (HxWxD) (in)         | 9 1/4" x 28 1/2" x 23 1/2"  |
| Net weight (lbs)                          | 55 lbs                      |

## Accessories—Included

|                       |   |
|-----------------------|---|
| Installation brackets | Installation brackets to install drawer below speed or steam oven in one cut out (identical to single wall oven cut out). Products still need to be hooked up individually. |
|-----------------------|---|



For help and assistance with Bosch accessories please call 1-800-944-2904 Mon-Fri 8am to 6pm EST

Notes: All height, width and depth dimensions are shown in inches. BSH reserves the absolute and unrestricted right to change product materials and specifications, at any time, without notice. Consult the product's installation instructions for final dimensional data and other details prior to making cutout. Applicable product warranty can be found in accompanying product literature or you may contact your account manager for further details.

Warranties: Bosch warrants that the Product is free from defects in materials and workmanship for a period of three hundred and sixty-five (365) days from the date of purchase. The foregoing timeline begins to run upon the date of purchase, and shall not be stalled, tolled, extended, or suspended, for any reason whatsoever. This Product is also warranted to be free from cosmetic defects in material and workmanship (such as scratches of stainless steel, paint/porcelain blemishes, chip, dents, or other damage) to the finish of the Product, for a period of thirty (30) days from the date of purchase or closing date for new construction. This cosmetic warranty excludes slight color variations due to inherent differences in painted and porcelain parts, as well as differences caused by kitchen lighting, product location, or other similar factors. This cosmetic warranty specifically excludes any display, floor, "As Is", or "B" stock appliances.

For more information on our entire line of products, go to [www.bosch-home.ca](http://www.bosch-home.ca) or call 1-800-944-2904

© BSH Home Appliances Limited. All rights reserved. Bosch is a registered trademark of Robert Bosch GmbH.

09/15

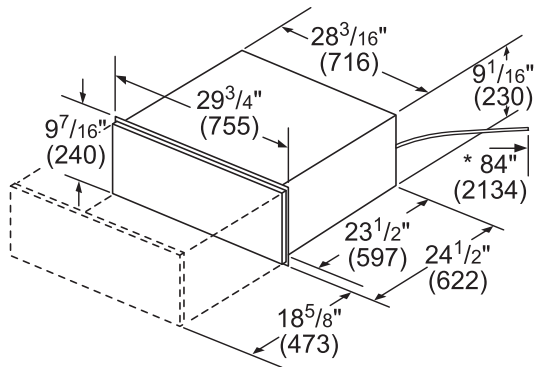
# 30" Warming Drawer

500 Series – Stainless Steel HWD5051UC



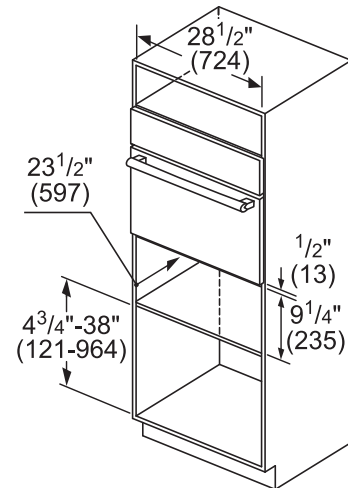
## Installation Details

Overall Product Dimensions



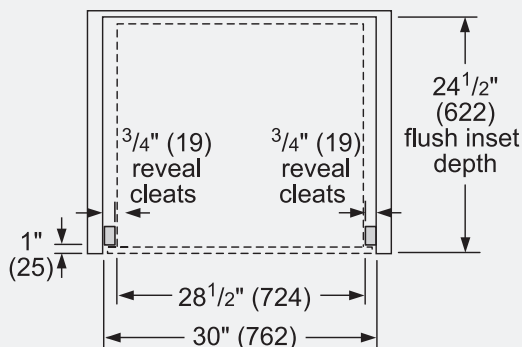
\* Power cord on warming drawer is 84" (2134 mm)

Standard Installation

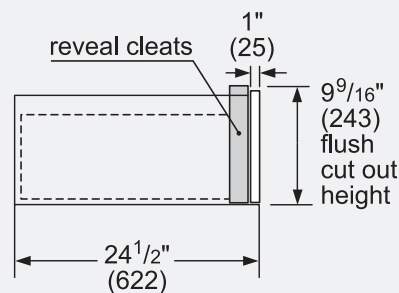


measurements in inches (mm)

Flush Install Top View



Side View



For help and assistance with Bosch accessories please call 1-800-944-2904 Mon-Fri 8am to 6pm EST

Notes: All height, width and depth dimensions are shown in inches. BSH reserves the absolute and unrestricted right to change product materials and specifications, at any time, without notice. Consult the product's installation instructions for final dimensional data and other details prior to making cutout. Applicable product warranty can be found in accompanying product literature or you may contact your account manager for further details.

Warranties: Bosch warrants that the Product is free from defects in materials and workmanship for a period of three hundred and sixty-five (365) days from the date of purchase. The foregoing timeline begins to run upon the date of purchase, and shall not be stalled, tolled, extended, or suspended, for any reason whatsoever. This Product is also warranted to be free from cosmetic defects in material and workmanship (such as scratches of stainless steel, paint/porcelain blemishes, chip, dents, or other damage) to the finish of the Product, for a period of thirty (30) days from the date of purchase or closing date for new construction. This cosmetic warranty excludes slight color variations due to inherent differences in painted and porcelain parts, as well as differences caused by kitchen lighting, product location, or other similar factors. This cosmetic warranty specifically excludes any display, floor, "As Is", or "B" stock appliances.

For more information on our entire line of products, go to [www.bosch-home.ca](http://www.bosch-home.ca) or call 1-800-944-2904

© BSH Home Appliances Limited. All rights reserved. Bosch is a registered trademark of Robert Bosch GmbH.

09/15

# 30" Warming Drawer

500 Series – Stainless Steel HWD5051UC



## Installation Details

**Standard Installation**  
30" Single Oven over Storage or Warming Drawer

\* Wall oven junction box may be located above or right or left of the unit within reach of the power conduit.  
\*\* Electrical hook up may be located below (depending on space) or next to the drawer within the reach of the power cord.

minimum  $\frac{3}{4}$ " (18mm) required between cutouts

measurements in inches (mm)

**Flush Installation**  
Single Oven over Storage or Warming Drawer

Side View

Single Wall Oven

\* IMPORTANT: base has to be able to support oven weight. Please check oven manual for minimum weight requirements.

minimum  $\frac{1}{2}$ " (13) required between cutouts\*

Warming Drawer

measurements in inches (mm)

**Standard Installation**  
30" Double Oven over Storage or Warming Drawer

minimum  $\frac{3}{4}$ " (18mm) required between cutouts

measurements in inches (mm)

\* Wall oven junction box may be located above or right or left of the unit within reach of the power conduit.  
\*\* Electrical hook up may be located below (depending on space) or next to the drawer within the reach of the power cord.

**Flush Installation**  
Double Oven over Storage or Warming Drawer

Side View

Double Wall Oven

\* IMPORTANT: base has to be able to support oven weight. Please check oven manual for minimum weight requirements.

minimum  $\frac{1}{2}$ " (13) required between cutouts\*

Warming Drawer

measurements in inches (mm)

For help and assistance with Bosch accessories please call 1-800-944-2904 Mon-Fri 8am to 6pm EST

Notes: All height, width and depth dimensions are shown in inches. BSH reserves the absolute and unrestricted right to change product materials and specifications, at any time, without notice. Consult the product's installation instructions for final dimensional data and other details prior to making cutout. Applicable product warranty can be found in accompanying product literature or you may contact your account manager for further details.

Warranties: Bosch warrants that the Product is free from defects in materials and workmanship for a period of three hundred and sixty-five (365) days from the date of purchase. The foregoing timeline begins to run upon the date of purchase, and shall not be stalled, tolled, extended, or suspended, for any reason whatsoever. This Product is also warranted to be free from cosmetic defects in material and workmanship (such as scratches of stainless steel, paint/porcelain blemishes, chip, dents, or other damage) to the finish of the Product, for a period of thirty (30) days from the date of purchase or closing date for new construction. This cosmetic warranty excludes slight color variations due to inherent differences in painted and porcelain parts, as well as differences caused by kitchen lighting, product location, or other similar factors. This cosmetic warranty specifically excludes any display, floor, "As Is", or "B" stock appliances.

For more information on our entire line of products, go to [www.bosch-home.ca](http://www.bosch-home.ca) or call 1-800-944-2904

© BSH Home Appliances Limited. All rights reserved. Bosch is a registered trademark of Robert Bosch GmbH.

09/15

# 30" Warming Drawer

500 Series – Stainless Steel HWD5051UC



## Installation Details

**Standard Installation**  
Steam or Speed Oven Over Drawer

\* For installation into a wall cabinet, the receptacle may be installed above, below, or to the left or right of the unit within range of the power cord.

**Flush Installation**  
Steam or Speed Oven Over Drawer

Side View

Measurements in inches (mm)

**Standard Installation**  
Combination Oven over Storage or Warming Drawer

measurements in inches (mm)

\* Wall oven junction box may be located above or right or left of the unit within reach of the power conduit.

\*\*Electrical hook up may be located below (depending on space) or next to the drawer within the reach of the power cord.

**Flush Installation**  
Combination Oven over Storage or Warming Drawer

Side View

measurements in inches (mm)

\* IMPORTANT: base has to be able to support oven weight. Please check oven manual for minimum weight requirements.

For help and assistance with Bosch accessories please call 1-800-944-2904 Mon-Fri 8am to 6pm EST

Notes: All height, width and depth dimensions are shown in inches. BSH reserves the absolute and unrestricted right to change product materials and specifications, at any time, without notice. Consult the product's installation instructions for final dimensional data and other details prior to making cutout. Applicable product warranty can be found in accompanying product literature or you may contact your account manager for further details.

Warranties: Bosch warrants that the Product is free from defects in materials and workmanship for a period of three hundred and sixty-five (365) days from the date of purchase. The foregoing timeline begins to run upon the date of purchase, and shall not be stalled, tolled, extended, or suspended, for any reason whatsoever. This Product is also warranted to be free from cosmetic defects in material and workmanship (such as scratches of stainless steel, paint/porcelain blemishes, chip, dents, or other damage) to the finish of the Product, for a period of thirty (30) days from the date of purchase or closing date for new construction. This cosmetic warranty excludes slight color variations due to inherent differences in painted and porcelain parts, as well as differences caused by kitchen lighting, product location, or other similar factors. This cosmetic warranty specifically excludes any display, floor, "As Is", or "B" stock appliances.

For more information on our entire line of products, go to [www.bosch-home.ca](http://www.bosch-home.ca) or call 1-800-944-2904

© BSH Home Appliances Limited. All rights reserved. Bosch is a registered trademark of Robert Bosch GmbH.