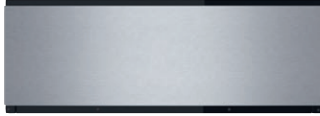


27" Warming Drawer

500 Series – Stainless Steel HWD5751UC



HWD5751UC
Stainless Steel

The warming drawer keeps meals hot and is designed to match the perfectly flush fit of a Bosch wall, speed or steam oven.

Features & Benefits

The warming drawer has 3 settings to keep meals hot and ready to serve.

Installs vertically under Bosch 120V speed, or wall oven. (separate cut outs needed)

Matches Bosch built-in products. Install either flush or proud.

General Properties

Power levels	High, low, medium
Dough proofing mode	Yes
Temperature range	100°-190° F
Timer 5 min.- 5 hours	Yes
Automatic shut off after 1 hour	Yes
Door opening	Push to Open
Hinges	Ball bearing hinges
Wattage heating element	450W
Control type	Illuminated TouchControl

Capacity

Cavity capacity (cu. ft.)	1.9 cu. ft.
---------------------------	-------------

Technical Details

Watts (W)	450 W
Circuit breaker (A)	15 A
Volts (V)	120 V
Frequency (Hz)	60 Hz
Power cord length (in)	84"
Plug type	120V-3 prong

Dimensions & Weight

Overall appliance dimensions (HxWxD) (in)	9 7/16" x 26 3/4 x 23 1/2"
Required cutout size (HxWxD) (in)	9 1/4" x 25 1/2" x 23 1/2"
Net weight (lbs)	50 lbs



For help and assistance with Bosch accessories please call 1-800-944-2904 Mon-Fri 8am to 6pm EST

Notes: All height, width and depth dimensions are shown in inches. BSH reserves the absolute and unrestricted right to change product materials and specifications, at any time, without notice. Consult the product's installation instructions for final dimensional data and other details prior to making cutout. Applicable product warranty can be found in accompanying product literature or you may contact your account manager for further details.

Warranties: Bosch warrants that the Product is free from defects in materials and workmanship for a period of three hundred and sixty-five (365) days from the date of purchase. The foregoing timeline begins to run upon the date of purchase, and shall not be stalled, tolled, extended, or suspended, for any reason whatsoever. This Product is also warranted to be free from cosmetic defects in material and workmanship (such as scratches of stainless steel, paint/porcelain blemishes, chip, dents, or other damage) to the finish of the Product, for a period of thirty (30) days from the date of purchase or closing date for new construction. This cosmetic warranty excludes slight color variations due to inherent differences in painted and porcelain parts, as well as differences caused by kitchen lighting, product location, or other similar factors. This cosmetic warranty specifically excludes any display, floor, "As Is", or "B" stock appliances.

For more information on our entire line of products, go to www.bosch-home.ca or call 1-800-944-2904

© BSH Home Appliances Limited. All rights reserved. Bosch is a registered trademark of Robert Bosch GmbH.

09/15

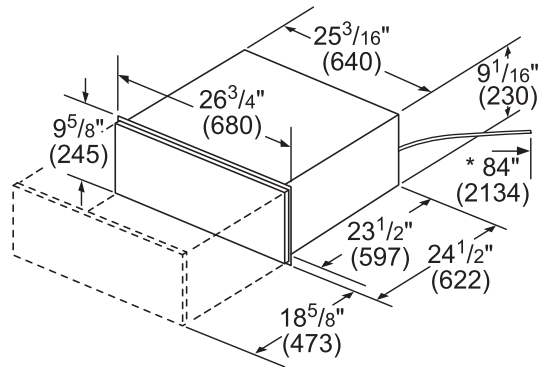
27" Warming Drawer

500 Series – Stainless Steel HWD5751UC



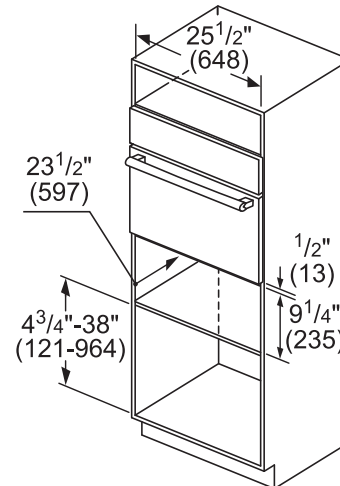
Installation Details

Overall Product Dimensions



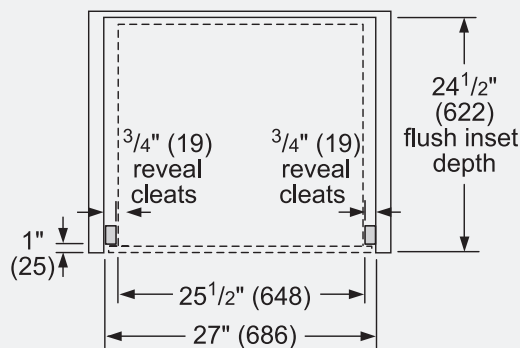
* Power cord on warming drawer is 84" (2134 mm)

Standard Installation

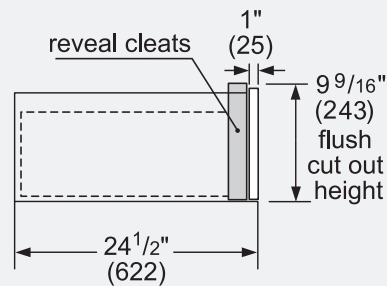


measurements in inches (mm)

Flush Install Top View



Side View



Measurements in inches (mm)

For help and assistance with Bosch accessories please call 1-800-944-2904 Mon-Fri 8am to 6pm EST

Notes: All height, width and depth dimensions are shown in inches. BSH reserves the absolute and unrestricted right to change product materials and specifications, at any time, without notice. Consult the product's installation instructions for final dimensional data and other details prior to making cutout. Applicable product warranty can be found in accompanying product literature or you may contact your account manager for further details.

Warranties: Bosch warrants that the Product is free from defects in materials and workmanship for a period of three hundred and sixty-five (365) days from the date of purchase. The foregoing timeline begins to run upon the date of purchase, and shall not be stalled, tolled, extended, or suspended, for any reason whatsoever. This Product is also warranted to be free from cosmetic defects in material and workmanship (such as scratches of stainless steel, paint/porcelain blemishes, chip, dents, or other damage) to the finish of the Product, for a period of thirty (30) days from the date of purchase or closing date for new construction. This cosmetic warranty excludes slight color variations due to inherent differences in painted and porcelain parts, as well as differences caused by kitchen lighting, product location, or other similar factors. This cosmetic warranty specifically excludes any display, floor, "As Is", or "B" stock appliances.

For more information on our entire line of products, go to www.bosch-home.ca or call 1-800-944-2904

© BSH Home Appliances Limited. All rights reserved. Bosch is a registered trademark of Robert Bosch GmbH.

09/15

27" Warming Drawer

500 Series – Stainless Steel HWD5751UC



Installation Details

Standard Installation
27" Single Oven over Warming Drawer

* Wall oven junction box may be located above or right or left of the unit within reach of the power conduit.

** Electrical hook up may be located below (depending on space) or next to the drawer within the reach of the power cord.

minimum $\frac{3}{4}$ " (18mm) required between cutouts

measurements in inches (mm)

NOTE: Horizontal installation of a 27" oven next to a 27" speed oven with warming drawer is possible, but the speed oven and warming drawer require either two cutouts or one cutout with a shelf support in between.

Flush Installation
Single Oven over Storage or Warming Drawer

Side View

Single Wall Oven

* IMPORTANT: base has to be able to support oven weight. Please check oven manual for minimum weight requirements.

minimum $\frac{1}{2}$ " (13) required between cutouts*

Warming Drawer

measurements in inches (mm)

Standard Installation
27" Double Oven over Warming Drawer

minimum $\frac{3}{4}$ " (18mm) required between cutouts

measurements in inches (mm)

* Wall oven junction box may be located above or right or left of the unit within reach of the power conduit.

** Electrical hook up may be located below (depending on space) or next to the drawer within the reach of the power cord.

Flush Installation
Double Oven over Storage or Warming Drawer

Side View

Double Wall Oven

* IMPORTANT: base has to be able to support oven weight. Please check oven manual for minimum weight requirements.

minimum $\frac{1}{2}$ " (13) required between cutouts*

Warming Drawer

measurements in inches (mm)

For help and assistance with Bosch accessories please call 1-800-944-2904 Mon-Fri 8am to 6pm EST

Notes: All height, width and depth dimensions are shown in inches. BSH reserves the absolute and unrestricted right to change product materials and specifications, at any time, without notice. Consult the product's installation instructions for final dimensional data and other details prior to making cutout. Applicable product warranty can be found in accompanying product literature or you may contact your account manager for further details.

Warranties: Bosch warrants that the Product is free from defects in materials and workmanship for a period of three hundred and sixty-five (365) days from the date of purchase. The foregoing timeline begins to run upon the date of purchase, and shall not be stalled, tolled, extended, or suspended, for any reason whatsoever. This Product is also warranted to be free from cosmetic defects in material and workmanship (such as scratches of stainless steel, paint/porcelain blemishes, chip, dents, or other damage) to the finish of the Product, for a period of thirty (30) days from the date of purchase or closing date for new construction. This cosmetic warranty excludes slight color variations due to inherent differences in painted and porcelain parts, as well as differences caused by kitchen lighting, product location, or other similar factors. This cosmetic warranty specifically excludes any display, floor, "As Is", or "B" stock appliances.

For more information on our entire line of products, go to www.bosch-home.ca or call 1-800-944-2904

© BSH Home Appliances Limited. All rights reserved. Bosch is a registered trademark of Robert Bosch GmbH.

09/15