

Ranges

30" Dual Fuel Slide-in Range Stainless Steel HDIP054C



The Full-depth Dual Fuel Slide-in Range Fits into Any Freestanding Range Cutout, and Offers a Powerful Dual-stack Burner.

- The New Bosch Slide-in Range Fits in Any Freestanding Range Cutout.
- Powerful 20,000 BTU Center Burner Designed for Faster Boiling and Low Simmer.
- Dampened Hinges Softly and Quietly Guide the QuietClose™ Door Shut.
- A Full-Extension Telescopic Rack Offers Safe Access to the Oven Cavity.
- The Warming Drawer Keeps Everything You Cook Warm and Ready to Serve.

Technical Data

Total number of cooktop burners :	5
Cooking mode :	Convection Bake, Convection Roast, Dough proving, Half width variable grill, pizza setting, Selfcleaning pyrolytic, Small hot air grill, Top/bottom heat, Warming, Warming drawer
Integrated Cleaning system :	Self Clean
Type of control :	Electronic
Knob Material :	Full metal
Included accessories :	2 x oven racks /upper, 1 x nozzle set for liquid gas, 1 x cast iron pan support, 1 x telescopic rack, 1 x temperature probe /upper
Sealed Burners :	Yes
Number of Double grates :	2
Bake Element Wattages cavity 1 (W) :	2400
Convection Element Wattages cavity 1 (W) :	2000
Number of gas burners :	5
Location of 1st heating element :	front left
Power of 1st burner (BTU) :	10000
Location of 2nd heating element :	back left
Power of 2nd burner (BTU) :	5000
Location of 3rd heating element :	middle back
Power of 3rd burner (BTU) :	20000
Location of 4th heating element :	back right
Power of 4th burner (BTU) :	5000
Location of 5th heating element :	front right
Power of 5th burner (BTU) :	15000
Display Color :	red, white
Safety device :	automatic reignition, Thermostat
UPC code :	825225908234
Product color :	Stainless steel
Gas type :	Natural gas 15 mbar (USA)
Alternative gas type :	Liquid gas 27,5 mbar (USA)
Natural Gas Connection Rating (BTU) :	55000
Watts (W) :	4800
Current (A) :	30
Volts (V) :	240/208
Frequency (Hz) :	60
Approval certificates :	CSA
Required cutout size (HxWxD) (in) :	30" width slide-in
Overall appliance dimensions (HxWxD) (in) :	35 1/2" x 31 1/4" x 26 3/4"
Variable cooker height (in) :	1"
AHAM volume (of cavity) - cavity 1 :	2
Product packaging dimensions (HxWxD) (in) :	43 3/4" x 34" x 31 1/2"
Net weight (lbs) :	221
Gross weight (lbs) :	243

Included accessories

2 x oven racks /upper	
1 x nozzle set for liquid gas	
1 x cast iron pan support	
1 x telescopic rack	
1 x temperature probe /upper	1/3

Ranges

30" Dual Fuel Slide-in Range Stainless Steel HDIP054C

The Full-depth Dual Fuel Slide-in Range Fits into Any Freestanding Range Cutout, and Offers a Powerful Dual-stack Burner.

Design

- Touch Control for Easier Operation of the Oven
- Heavy-duty Metal Knobs for a Premium Look and Feel
- Low-profile Design for an Integrated Appearance
- Stainless Steel Maintop

Performance

- 11 Specialized Cooking Modes - Gourmet Cooking Made Easy
- Genuine European Convection
- Temperature Conversion for Convection Cooking
- Meat Probe Takes Guesswork Out of Cooking
- Fast Preheat Reduces Preheat Time

Convenience

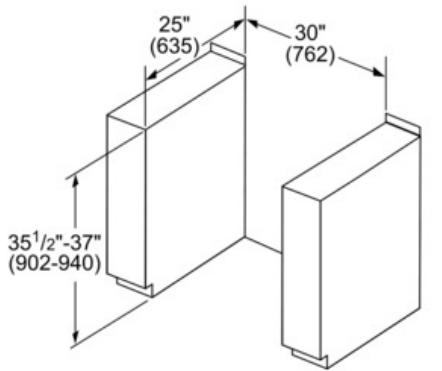
- 5 Burners Add Flexibility to your Cooking
- Two Oven Lights to Better Monitor Cooking Progress
- Kitchen Timer
- Extra Large Door Window for Easy Monitoring of Cooking Process
- Star-K certified. 100°-450° F

Capacity

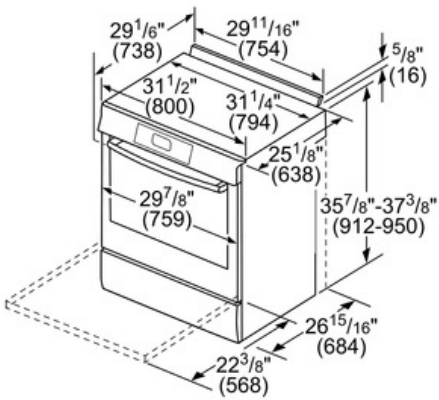
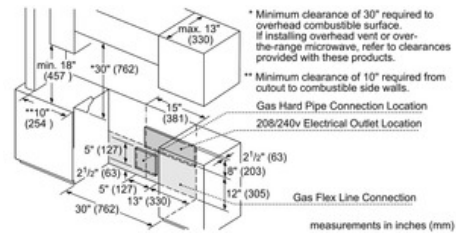
- Large Capacity at 4.6 Cu Ft.
- Recessed 8 Pass Broil Element for Increased Capacity and Safety

Ranges

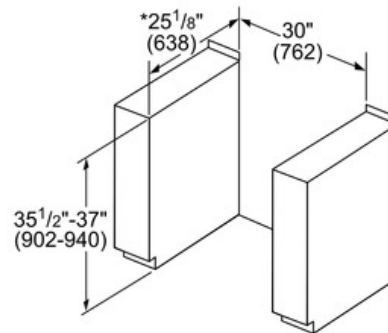
30" Dual Fuel Slide-in Range Stainless Steel HDIP054C



measurements in mm



measurements in inches and (mm)



measurements in inches and (mm)