

30" Electric Freestanding Range 700 Series - Stainless Steel HES7052U



Features and Benefits

Key Features

- Genuine European Convection™ with Advanced Circulation System (ACS)
- Integrated Warming Drawer
- Bridge Element

Design

- ClearTouch™ Electronic Oven Controls
- Stainless steel framed cooktop

Performance

- Genuine European Convection™ with Advanced Circulation System (ACS)
- Element Layout: Right Front: 8"5", Left Rear: 7", Left Front: 2 5/16", Right Rear: 6"
- Bridge Element
- Convection Assisted Self Cleaning Oven

Convenience

- Touch & Turn® Electronic Oven Control with 8 Cooking Modes
- Integrated Warming Drawer
- True Hidden Bake Element

Capacity

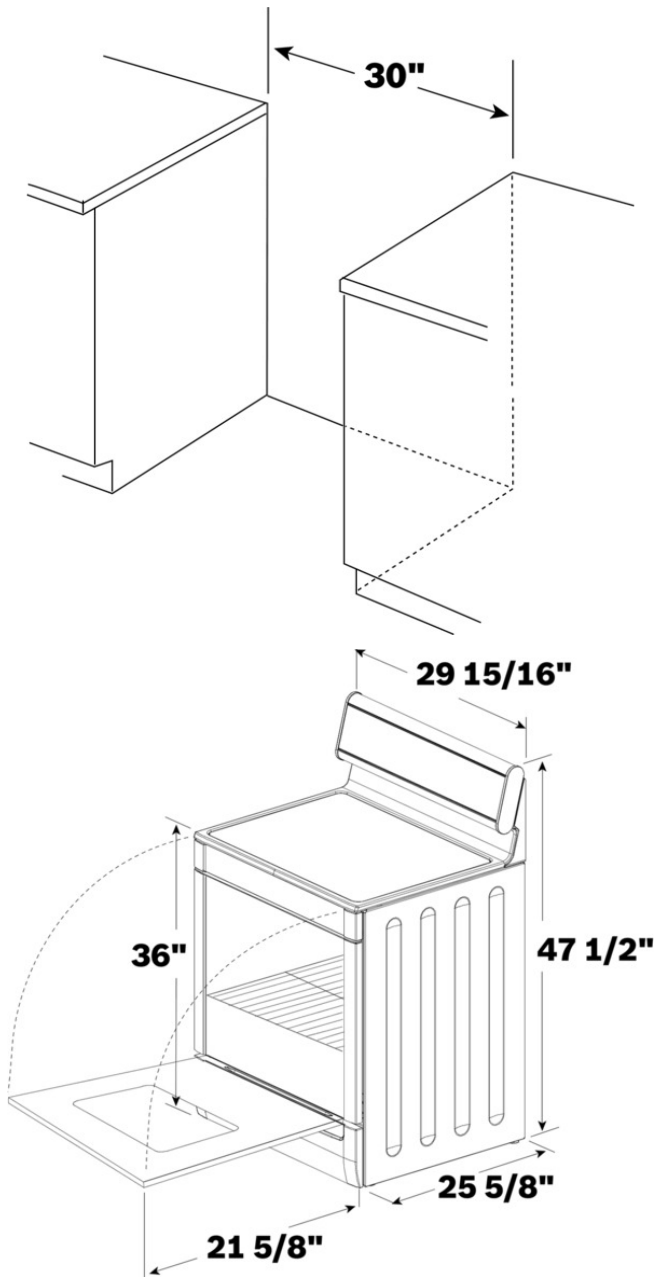
- 4.6 cu.ft. Oven Capacity

Notes: All height, width and depth dimensions are shown in inches. *Please refer to installation instructions prior to making cutout. BSH reserves the absolute and unrestricted right to change product materials and specifications, at any time, without notice. Consult the product's installation instructions for final dimensional data and other details. Applicable product warranty can be found in a accompanying product literature or you may contact your account manager for further details.

For more information on our entire line of products, go to boschappliances.com or call 1-800-944-2904.
Copyright ©2014 BSH Home Appliances Corporation. All rights reserved. Bosch is a registered trademark of Robert Bosch GmbH.

Litho Date: 03/2014

30" Electric Freestanding Range 700 Series - Stainless Steel HES7052U



Features

Total number of cooktop burners	4
Cooking method primary cavity	Convection Bake, Convection Roast, Conventional heat, Dehydrate, Dough proving setting, Half width variable grill, Sabbath function, warming, Warming drawer
Cleaning system - primary cavity	, Self Clean
Oven Control	electronical
Knob Material	Plastic with steel ring
Included accessories	3 x Oven racks /upper
Sealed Burners	No
Number of Double grates	
Bake Element Wattages primary cavity (W)	2000
Broil Element Wattages primary cavity (W)	3600
Convection Element Wattages primary cavity (W)	1100
Number of gas burners	0
Location of 1st heating element	front left
Power of 1st burner (BTU)	
Location of 2nd heating element	back left
Power of 2nd burner (BTU)	
Location of 3rd heating element	
Power of 3rd burner (BTU)	
Location of 4th heating element	back right
Power of 4th burner (BTU)	
Location of 5th heating element	front right
Power of 5th burner (BTU)	
Location of 6th heating element	
Power of 6th burner (BTU)	
Power of griddle element	
Display	green, red
Safety device	

Technical Specification

UPC code	825225842415
Product color	Stainless steel
Gas type	
Alternative gas type	
Total BTU load	
Watts (W)	13800
Current (A)	40
Volts (V)	240/208
Frequency (Hz)	60
Approval certificates	CSA
Required cutout size (HxWxD) (in)	30" width slide-in

Notes: All height, width and depth dimensions are shown in inches. *Please refer to installation instructions prior to making cutout. BSH reserves the absolute and unrestricted right to change product materials and specifications, at any time, without notice. Consult the product's installation instructions for final dimensional data and other details. Applicable product warranty can be found in a accompanying product literature or you may contact your account manager for further details.

For more information on our entire line of products, go to boschappliances.com or call 1-800-944-2904.

Copyright ©2014 BSH Home Appliances Corporation. All rights reserved. Bosch is a registered trademark of Robert Bosch GmbH.

Litho Date: 03/2014