

Register your
appliance and join
the Bosch
family of perks:
[bosch-home.com/us/
mybosch](https://bosch-home.com/us/mybosch)



Freezer refrigerator

B36CT..

[en-us]	User manual	Freezer refrigerator	2
[fr-ca]	Manuel d'utilisation	Réfrigérateur / congélateur combiné	30
[es-mx]	Manual del usuario	Refrigerador/congelador	60

Table of contents

1 Safety	3	8.6 Interior lighting	15
1.1 Safety definitions.....	3	8.7 Sabbath mode	15
1.2 General information.....	3	8.8 Filter change notification	15
1.3 Intended use	3	8.9 Filter change status	15
1.4 Restrictive Use.....	3	9 Alarm	15
1.5 Safe transport	3	9.1 Door alarm.....	15
1.6 Safe installation.....	3	9.2 Temperature alarm	15
1.7 Safe use.....	4	10 Home Connect™	16
1.8 Damaged appliance	4	10.1 Connecting the appliance to a WLAN home network (Wi-Fi) with WPS function.....	16
1.9 State of California Proposition 65 Warnings	5	10.2 Connecting the appliance to a WLAN home network (Wi-Fi) without WPS function.....	16
2 Preventing material damage	6	10.3 Connecting the appliance to the Home Connect™ app	17
3 Environmental protection and energy-saving	6	10.4 Checking the signal strength.....	17
3.1 Disposal of packaging	6	10.5 Installing updates for the Home Connect software.....	17
3.2 Saving energy	6	10.6 Resetting the Home Connect™ settings	17
4 Installation and connection	6	10.7 Remote diagnostics	17
4.1 Included in delivery	6	10.8 Data Protection	18
4.2 Criteria for the installation location	6	11 Refrigerator compartment	18
4.3 Installing the appliance.....	7	11.1 Tips for storing food in the refrigerator compartment	18
4.4 Preparing the appliance for first use.....	7	11.2 Chill zones in the refrigerator compartment.....	18
4.5 Connecting the appliance to the drinking water connection	7	12 Cool-fresh compartment	18
4.6 Connecting the appliance to the electricity supply	7	12.1 Storage recommendations for the cool-fresh compartment.....	18
5 Familiarizing yourself with your appliance	8	13 Freezer compartment	18
5.1 Appliance	8	13.1 Tips for storing food in the freezer compartment	18
5.2 Control panel.....	9	13.2 Tips for freezing fresh food	18
5.3 Control panel (submenu).....	10	13.3 Defrosting methods for frozen food	19
5.4 Control panel (cool-fresh compartment)	11	14 Water system	19
6 Features	11	14.1 Water filter	19
6.1 Shelf	11	14.2 Water dispenser.....	20
6.2 Equipment bar.....	11	14.3 Ice maker.....	20
6.3 Fixed shelf	12	15 Defrosting	21
6.4 Pull-out container	12	15.1 Defrosting in the refrigerator compartment.....	21
6.5 Cool-fresh container.....	12	15.2 Defrosting in the cool-fresh compartment.....	21
6.6 Container divider.....	12	15.3 Defrosting in the freezer compartment	21
6.7 Flat frozen food container.....	13	16 Cleaning and maintenance	21
6.8 Frozen food pull-out container.....	13	16.1 Preparing the appliance for cleaning.....	21
6.9 Frozen food carrying container.....	13	16.2 Cleaning the appliance	21
6.10 Butter and cheese compartment	13	16.3 Removing the fittings	21
6.11 Door rack	13	16.4 Removing the appliance components	23
6.12 Ice storage container.....	13	17 Troubleshooting	26
6.13 Accessories	13	18 Storage and disposal	28
7 Basic Operation	13	18.1 Taking the appliance out of operation	28
7.1 Switching on the appliance.....	13	18.2 Disposal of your old appliance	28
7.2 Operating tips.....	13	19 Customer service	29
7.3 Switching off the appliance.....	13	19.1 Model number (E-Nr.) and production number (FD)	29
7.4 Setting the temperature unit.....	13	20 Technical specifications	29
7.5 Setting the temperature.....	13		
7.6 Cool-fresh compartment storage setting.....	14		
8 Additional functions	14		
8.1 Super cooling	14		
8.2 Super freezing.....	14		
8.3 Vacation mode.....	14		
8.4 Energy-saving mode	14		
8.5 Freshness mode	14		



IMPORTANT SAFETY INSTRUCTIONS

READ AND SAVE THESE INSTRUCTIONS

Observe the following safety instructions.

1.1 Safety definitions

Here you can find explanations of the safety signal words used in this manual.

WARNING

This indicates that death or serious injuries may occur as a result of non-observance of this warning.

CAUTION

This indicates that minor or moderate injuries may occur as a result of non-observance of this warning.

NOTICE:

This indicates that damage to the appliance or property may occur as a result of non-compliance with this advisory.

Note: This alerts you to important information and/or tips.

1.2 General information

- Read this manual carefully.
- Keep the manual and the product information in a safe place for future reference or for the next owner.
- Do not connect the appliance if it has been damaged in transit.

1.3 Intended use

Only use this appliance:

- for chilling and freezing food, making ice and dispensing water.
- in private households and in enclosed spaces in a residential environment.
- Up to an altitude of max. 13,100 ft (4000 m) above sea level.

1.4 Restrictive Use

This appliance is not intended for use by persons (including children) with reduced physical, sensory or mental capabilities, or lack of experience and knowledge, unless they have been given supervision or instruction concerning use of the appliance by a person responsible for their safety.

Do not let children play with the appliance.

Cleaning and user maintenance must not be performed by children unless they are being supervised.

1.5 Safe transport

WARNING

The high weight of the appliance may result in injury when lifted.

- ▶ Do not lift the appliance on your own.

1.6 Safe installation

WARNING

Improper installations are dangerous.

- ▶ Connect and operate the appliance only in accordance with the specifications on the rating plate.
- ▶ Connect the appliance to a power supply with alternating current only via a correctly installed socket outlet with grounding.
- ▶ The protective conductor system of the domestic electrical installation must be properly installed.
- ▶ Never equip the appliance with an external switching device, e.g. a timer or remote control.
- ▶ When the appliance is installed, the power plug of the power cord must be freely accessible. If free access is not possible, an all-pole isolating switch must be integrated in the permanent electrical installation according to the installation regulations.
- ▶ When installing the appliance, check that the power cord is not trapped or damaged.

If the insulation of the power cord is damaged, that can be dangerous.

- ▶ Never let the power cord come into contact with heat sources.

WARNING

If the appliance's ventilation openings are sealed, a leak in the refrigeration circuit may result in a flammable mixture of gas and air.

- ▶ Keep ventilation openings, in the appliance enclosure or in the built-in structure, clear of obstruction.

WARNING

It is dangerous to use an extended power cord and non-approved adapters.

- ▶ Do not use extension cords or multiple socket strips.
- ▶ If the power cord is too short, contact customer service.
- ▶ Only use adapters approved by the manufacturer.



IMPORTANT SAFETY INSTRUCTIONS

READ AND SAVE THESE INSTRUCTIONS

Portable multiple socket strips or portable power supply units may overheat and cause a fire.

- ▶ Do not place portable multiple socket strips or power supply units on the back of the appliance.

1.7 Safe use

WARNING

Moisture intrusion may cause an electric shock.

- ▶ Use the appliance in enclosed spaces only.
- ▶ Never expose the appliance to intense heat or humidity.
- ▶ Do not use any steam cleaners or high-pressure cleaners to clean the appliance.

WARNING

Children may pull packaging material over their heads, or wrap themselves up in it and suffocate.

- ▶ Keep packaging material away from children.
 - ▶ Do not allow children to play with packaging material.
- Children may breathe in or swallow small parts, causing them to suffocate.
- ▶ Keep small parts away from children.
 - ▶ Do not allow children to play with small parts.

WARNING

Mechanical devices, e.g. sharp or pointed objects, or other devices may damage the refrigeration circuit; flammable refrigerant may escape and explode.

- ▶ To accelerate the defrosting process, do not use any other mechanical devices or devices other than those recommended by the manufacturer.

Products which contain flammable propellants and explosive substances may explode, e.g. spray cans.

- ▶ Do not store products which contain flammable propellants (e.g. spray cans) or explosive substances in the appliance.

WARNING

Electrical devices within the appliance may cause a fire, e.g. heaters or electric ice makers.

- ▶ Do not operate electrical devices within the appliance.

WARNING

Containers which contain carbonated drinks may burst.

- ▶ Do not store containers that contain carbonated drinks in the cool-fresh compartment below 34 °F (1 °C).
- ▶ Do not store containers which contain carbonated drinks in the freezer compartment.

Injury to the eyes caused by escaping flammable refrigerant and hazardous gases.

- ▶ Do not damage the tubes of the refrigerant circuit or the insulation.

The appliance may tip.

- ▶ Do not stand or lean on the base, runners or doors.

WARNING

Contact with frozen food and cold surfaces may cause burns by refrigeration.

- ▶ Never put frozen food straight from the freezer compartment into your mouth.
- ▶ Avoid prolonged skin contact with frozen food, ice and surfaces in the freezer compartment.

CAUTION

To prevent food from being contaminated, you must observe the following instructions.

- ▶ Leaving the door open for an extended period of time may lead to a considerable temperature increase in the compartments of the appliance.
 - ▶ Regularly clean the surfaces that may come into contact with food and accessible drain systems.
 - ▶ If water has not been dispensed for 5 days, flush the water system.
 - ▶ Store raw meat and fish in suitable containers in the refrigerator so that they do not touch or drip on other food.
 - ▶ If the fridge/freezer is empty for an extended period of time, switch off the appliance, defrost it, clean it and leave the door open to prevent the formation of mold.
- Metal or metal-style parts in the appliance may contain aluminum. If acidic food comes into contact with aluminum in the appliance, aluminum ions may pass into the food.
- ▶ Do not consume soiled food.

1.8 Damaged appliance

WARNING

If the appliance or the power cord is damaged, this is dangerous.

- ▶ Never operate a damaged appliance.
- ▶ Never pull on the power cord to unplug the appliance. Always unplug the appliance at the power outlet.
- ▶ If the appliance or the power cord is damaged, immediately unplug the power cord or switch off the breaker in the circuit breaker box and turn off the water tap.
- ▶ Call Customer Service. → *Page 29*



IMPORTANT SAFETY INSTRUCTIONS

READ AND SAVE THESE INSTRUCTIONS

Improper repairs are dangerous.

- ▶ Only original spare parts may be used to repair the appliance.
- ▶ If the power cord of this appliance becomes damaged, it must be replaced with a specific connection cord, which is available from the manufacturer or the manufacturer's Customer Service.

WARNING



If the tubes are damaged, flammable refrigerant and harmful gases may escape and ignite.

- ▶ Keep open flames and ignition sources away from the appliance.
- ▶ Ventilate the room.
- ▶ Switch off the appliance. → *Page 13*
- ▶ Unplug the appliance from the power source or switch off the circuit breaker in the fuse box.
- ▶ Call Customer Service. → *Page 29*

1.9 State of California Proposition 65 Warnings

This product may contain a chemical known to the State of California, which can cause cancer or reproductive harm. Therefore, the packaging of your product may bear the following label as required by California:

STATE OF CALIFORNIA PROPOSITION 65 WARNING: /
AVERTISSEMENT ISSUE DE LA PROPOSITION 65
DE L'ÉTAT DE LA CALIFORNIE:



**WARNING /
AVERTISSEMENT**

Cancer and Reproductive Harm / Cancer et dommages à la
reproduction - www.P65Warnings.ca.gov.

2 Preventing material damage

NOTICE:

The high weight of the appliance may damage the floor when it is moved.

- ▶ Use a hand-cart and floor protection when moving the appliance.

When the appliance door is closed, the mullion rail should be closed (flush with the door edge) or damage may occur.

- ▶ Never open the mullion rail manually.
- ▶ If the mullion rail has been opened, rotate it closed (flush with the door edge) before closing the appliance door.

Using the base, runners or appliance doors as a seat or climbing surface may damage the appliance.

- ▶ Do not stand or lean on the base, runners or doors.
- If the water pressure is too high or too low, this may impair functioning of the appliance.

- ▶ Make sure that the water pressure in the water supply system is at least 29 psi (200 kPa) and max. 116 psi (800 kPa).
- ▶ If the water pressure exceeds the maximum value specified, a pressure-reducing valve must be installed between the drinking water connection and the hose set of the appliance.

Modified or damaged water hoses may result in material damage and damage to the appliance.

- ▶ Never kink, crush, modify or cut through water hoses.
- ▶ Never re-use water hoses that have been used before.
- ▶ Never pull on the water hose on the rear panel of the appliance.

Contamination with oil or fat may cause plastic parts and door seals to become porous.

- ▶ Keep plastic parts and door seals free of oil and grease.

Metal or metal-style parts in the appliance may contain aluminum. Aluminum reacts when it comes into contact with acidic foods.

- ▶ Do not store unpackaged food in the appliance.

3 Environmental protection and energy-saving

3.1 Disposal of packaging

The packaging materials are environmentally compatible and can be recycled.

- ▶ Sort the individual components by type and dispose of them separately.

3.2 Saving energy

If you follow these instructions, your appliance will use less power.

Selecting the installation location

- Keep the appliance out of direct sunlight.
- Install the appliance as far away as possible from heating elements, stoves and other heat sources:

- Maintain a 1¹/₄" (30 mm) clearance to electric or gas stoves.
 - Maintain an 11¹³/₁₆" (300 mm) clearance to oil or solid-fuel stoves.
- Never cover or block the exterior ventilation grilles.

Saving energy during use

Note: The arrangement of the fittings does not affect the energy consumption of the appliance.

- Open the appliance only briefly.
- Never cover or block the interior ventilation openings or the exterior ventilation grilles.
- Transport purchased food in a cooler and place quickly in the appliance.
- Allow warm food and drinks to cool down before storing them.
- Thaw frozen food in the refrigerator compartment to utilize the low temperature of the food.
- Always leave some space between the food and to the back panel.
- Open the freezer compartment door only briefly and then close it properly.
- Vacuum the external ventilation grilles when they are dusty.

4 Installation and connection

4.1 Included in delivery

After unpacking all the parts, check for any damage in transit and for completeness of delivery.

If you have any complaints, contact your dealer or our Customer Service → *Page 29*.

The delivery consists of the following:

- Free-standing appliance
- Equipment and accessories¹
- Installation material
- Installation instructions
- User manual
- Explanation of the limited product warranty
- Warranty enclosure²
- Energy label
- Information on energy consumption and noises
- Information about Home Connect™

4.2 Criteria for the installation location

WARNING

If the appliance is in a space that is too small, a leak in the refrigeration circuit may result in a flammable mixture of gas and air.

- ▶ Only install the appliance in a space with a volume of at least 35 ft³ (1 m³) per 0.3 oz (8 g) refrigerant. The amount of refrigerant is indicated on the rating label.

→ "Appliance", Fig. **1/13**, *Page 9*

The weight of the appliance may be up to 345 lbs (155 kg) depending on the model.

The subfloor must be sufficiently stable to bear the weight of the appliance.

¹ Depending on the appliance specifications

² Not in all countries

4.3 Installing the appliance

- ▶ Install the appliance in accordance with the enclosed installation instructions.

4.4 Preparing the appliance for first use

1. Remove the information material.
2. Remove the protective film and transit bolts, e.g. remove the adhesive strips and cardboard.
3. Clean the appliance for the first time. → *Page 21*

4.5 Connecting the appliance to the drinking water connection

Requirements

- A shut-off valve must be installed on the water connection and be freely accessible following installation of the appliance.
 - Ensure that the water coming from the water connection is potable.
1. Rinse the drinking water connection thoroughly until the drinking water is no longer cloudy and contains no deposits.
If the drinking water is still cloudy or contains deposits, install an external water filter system.
 2. Install the drinking water connection according to the enclosed installation instructions.

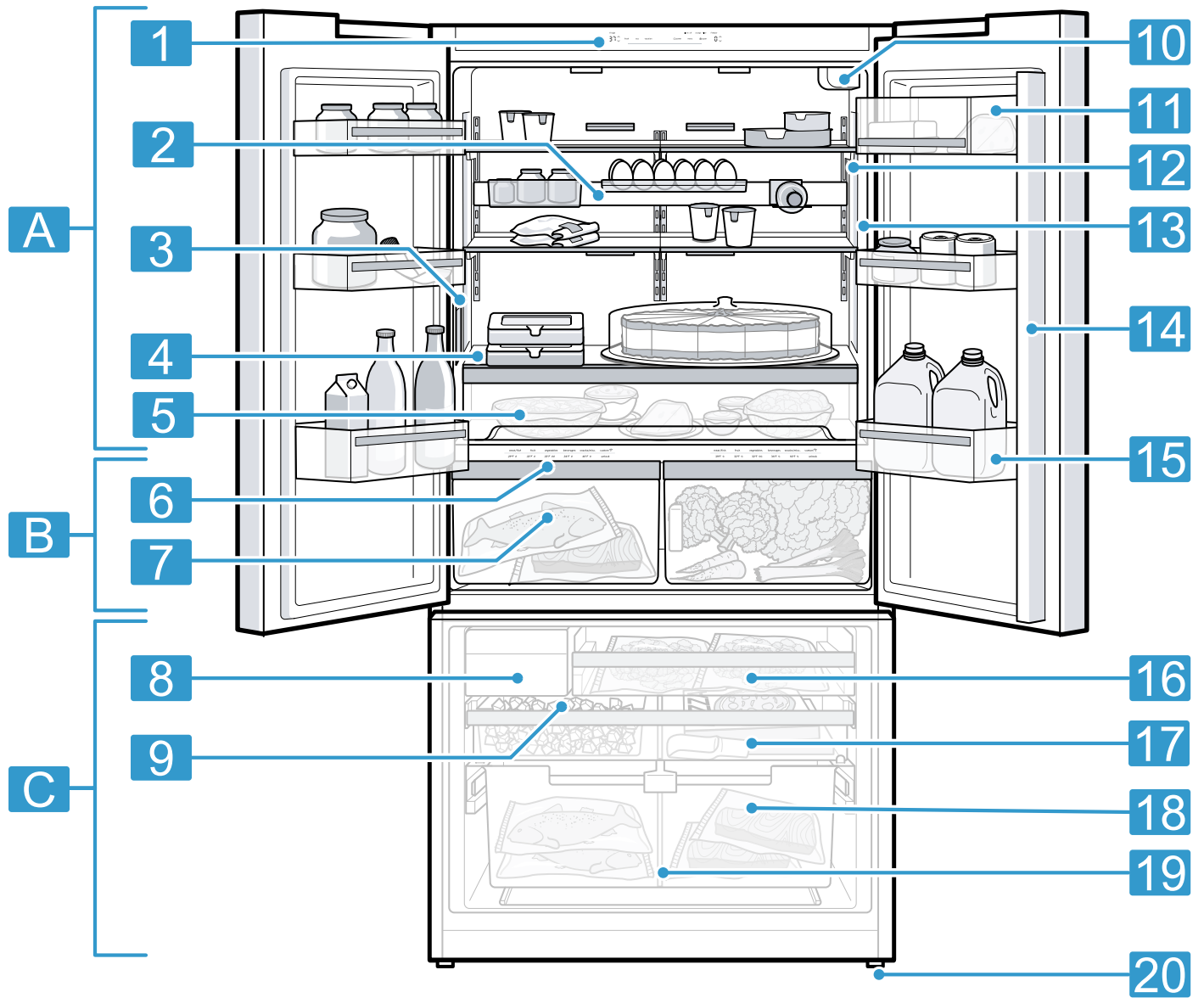
4.6 Connecting the appliance to the electricity supply

1. Insert the non-heating appliance plug of the power cord into the appliance.
 2. Insert the power plug of the appliance's power cord in a socket outlet nearby.
The connection data of the appliance can be found on the rating plate. → "*Appliance*", Fig. **1/13**, *Page 9*
 3. Check the power plug is inserted properly.
- ✓ The appliance is now ready to use.

5 Familiarizing yourself with your appliance

5.1 Appliance

Here you can find an overview of the parts of your appliance.



1

A Refrigerator compartment → *Page 18*

B Cool-fresh compartment → *Page 18*

C Freezer compartment → *Page 18*

1 Control panel → *Page 9*

2 Equipment bar → *Page 11*

3 Water dispenser → *Page 20*

4 Fixed shelf → *Page 12*

5 Pull-out container → *Page 12*

6 Control panel (cool-fresh compartment) → *Page 11*

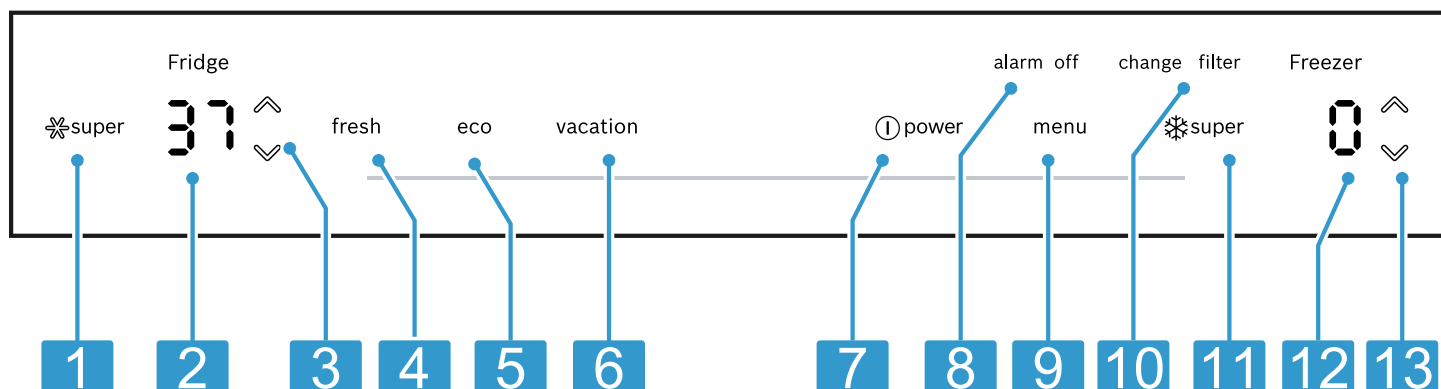
7	Cool-fresh container
8	Ice maker
9	Ice storage container → <i>Page 13</i>
10	Water filter → <i>Page 19</i>
11	Butter and cheese compartment → <i>Page 13</i>
12	Interior lighting
13	Rating label → <i>Page 29</i>
14	Hinged condensation protection bar → <i>Page 6</i>

15	Door rack for large bottles → <i>Page 13</i>
16	Frozen food pull-out container → <i>Page 13</i>
17	Flat frozen food container → <i>Page 13</i>
18	Frozen-food carrying container → <i>Page 13</i>
19	Container divider → <i>Page 12</i>
20	Screw foot

Note: Your appliance may differ from the diagrams with regard to features and dimensions.

5.2 Control panel

You can use the control panel to configure all functions of your appliance and to obtain information about the operating status.



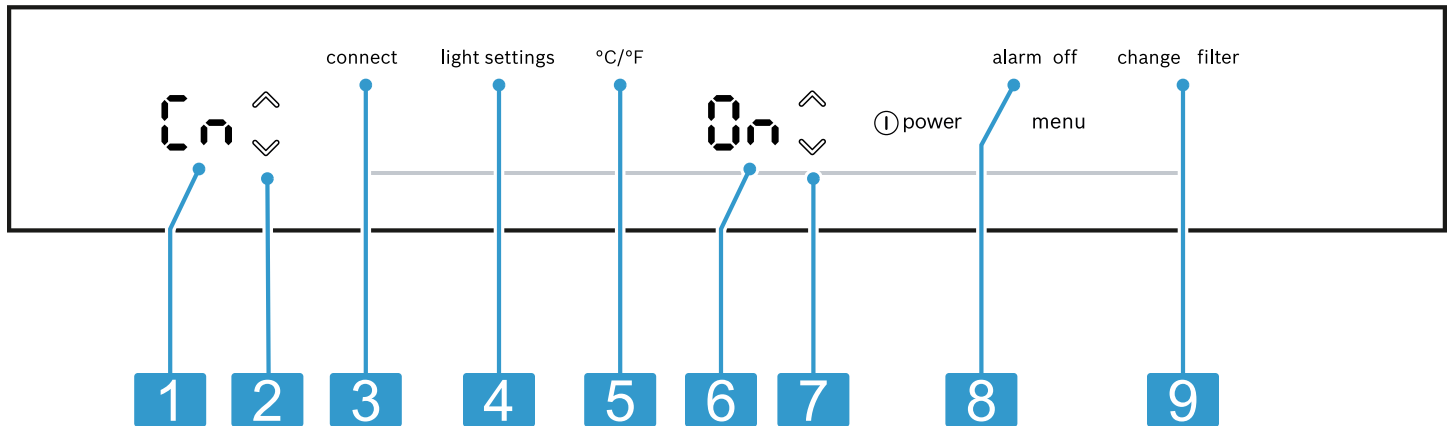
2

1	❄️super switches Super cooling on or off.
2	Displays the set temperature for the refrigerator compartment in °F or °C.
3	↕/↗ (Refrigerator compartment) sets the temperature of the refrigerator compartment.
4	fresh switches freshness mode on or off.
5	eco switches energy-saving mode on or off.
6	vacation switches vacation mode on or off.
7	Ⓜpower switches the appliance on or off.

8	alarm off switches off the alarm.
9	menu opens and closes the menu.
10	change filter lights up when the filter needs to be replaced.
11	❄️super switches Super freezing on or off.
12	Displays the set temperature for the freezer compartment in °F or °C.
13	↕/↗ (Freezer compartment) sets the temperature of the freezer compartment.

5.3 Control panel (submenu)

You can configure further settings in the submenu.



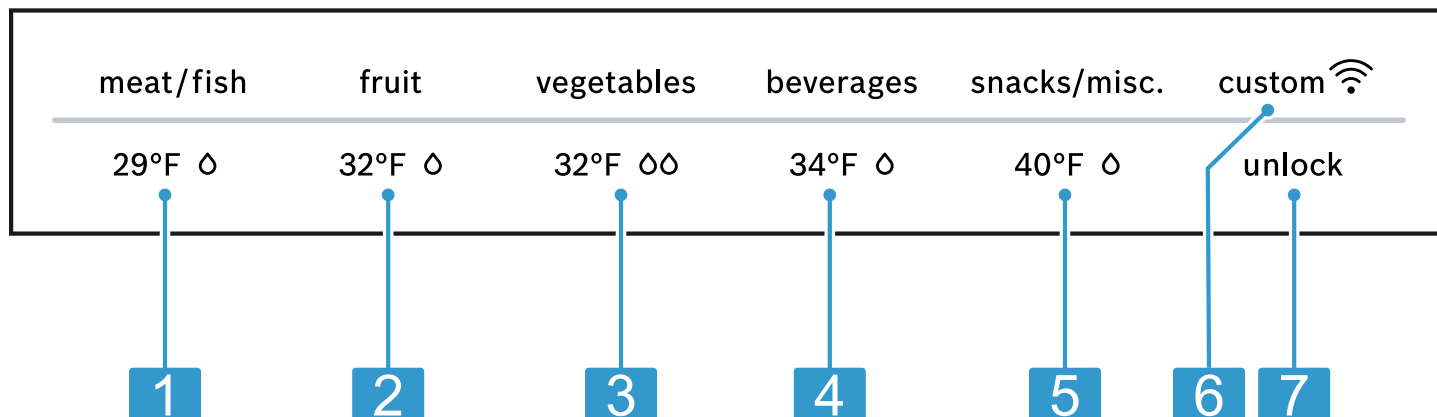
3

- 1 Displays the selected submenu.
- 2 (Submenu) is used to navigate through the submenu.
- 3 menu opens the menu for setting Home Connect.
- 4 light settings opens the menu for setting the lighting.
- 5 °C/°F opens the menu for changing the temperature unit.

- 6 Displays the settings of the submenu.
- 7 (Submenu setting) changes the submenu setting.
- 8 alarm off opens the menu for setting the door alarm.
- 9 change filter opens the menu for setting the filter.

5.4 Control panel (cool-fresh compartment)

Using the control panel for the cool-fresh compartment, you can set the temperature and humidity in the cool-fresh compartment.

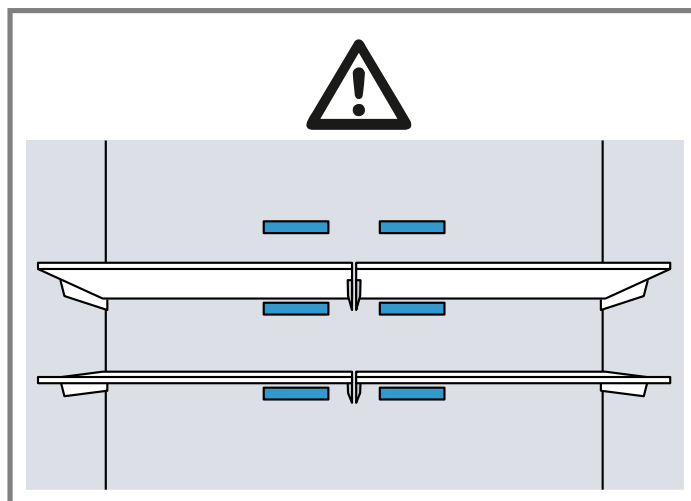


4

- 1 29°F ◊ sets the cool-fresh compartment storage setting for meat and fish.
- 2 32°F ◊ sets the cool-fresh compartment storage setting for fruit.
- 3 32°F ◊◊ sets the cool-fresh compartment storage setting for vegetables.
- 4 34°F ◊ sets the cool-fresh compartment storage setting for beverages.
- 5 40°F ◊ sets the cool-fresh compartment storage setting for snacks.
- 6 custom ◊◊ lights up if user-defined settings have been set via the Home Connect™ app. You can find more information in the Home Connect™ app.
- 7 unlock switches the button lock for the control panel (cool-fresh compartment) off.

Note

Do not cover the interior ventilation openings.



6 Features

The features of your appliance depend on the model.

6.1 Shelf

NOTICE:

If fitted at an angle, the hooks on the shelf can scratch the rear panel of the refrigerator compartment.

- ▶ Ensure that the shelf is horizontal and that the hooks are properly fitted in place.

To vary the shelf as required, you can remove the shelf and re-insert it elsewhere.

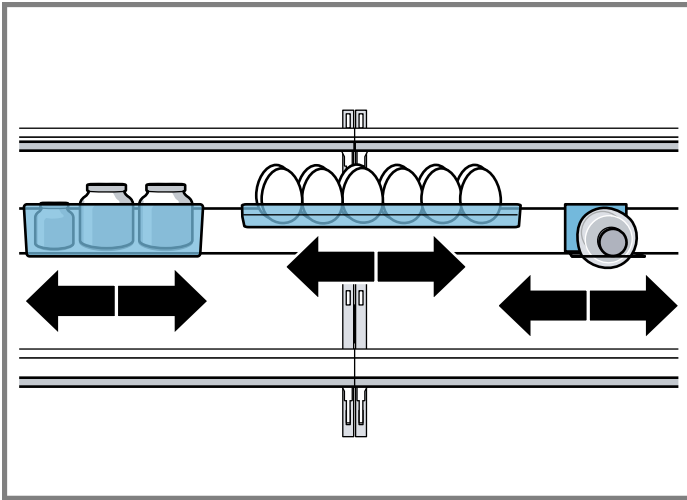
→ "Removing the shelf", Page 21

6.2 Equipment bar

The fittings on the equipment bar provide additional storage space in the refrigerator compartment:

- Store a bottle securely on the bottle shelf.
- Store preserving jars in the container.
- Store an egg carton on the shelf.

You can position the fittings anywhere along the equipment bar.



NOTICE:

If fitted at an angle, the hooks on the equipment bar can scratch the rear panel of the refrigerator compartment.

- ▶ Ensure that the equipment bar is horizontal and that the hooks are properly fitted in place.

You can remove the equipment bar and re-insert it at a different location.

→ "Removing the equipment bar", Page 21

Tip: Position the equipment bar in the centre of the refrigerator compartment.

6.3 Fixed shelf

Always put the fixed shelf in the specified position.

6.4 Pull-out container

Store large plates or containers with processed food which has been covered in the pull-out container.

6.5 Cool-fresh container

To automatically set the cool-fresh container to the right humidity and temperature for your food, use the different cool-fresh container storage settings.

Store fresh fruit and vegetables loose in the cool-fresh container.

Cover any chopped fruit and vegetables, or store in airtight packaging.

For hygiene reasons, do not store fruit and vegetables in a cool-fresh container with meat and fish.

Store food no higher than the container rim to prevent detaching the lid of the cool-fresh container.

Condensation may form in the cool-fresh container depending on the type and quantity of food stored.

Remove the condensation with a dry cloth.

To ensure that the quality and aroma are retained, store fruit and vegetables that are sensitive to cold outside of the appliance at temperatures of approximately 46 °F (8 °C) to 54 °F (12 °C), e.g. pineapple, bananas, citrus fruits, cucumbers, zucchinis, bell peppers, tomatoes and potatoes.

6.6 Container divider

⚠ WARNING

Children may climb into the appliance and suffocate.

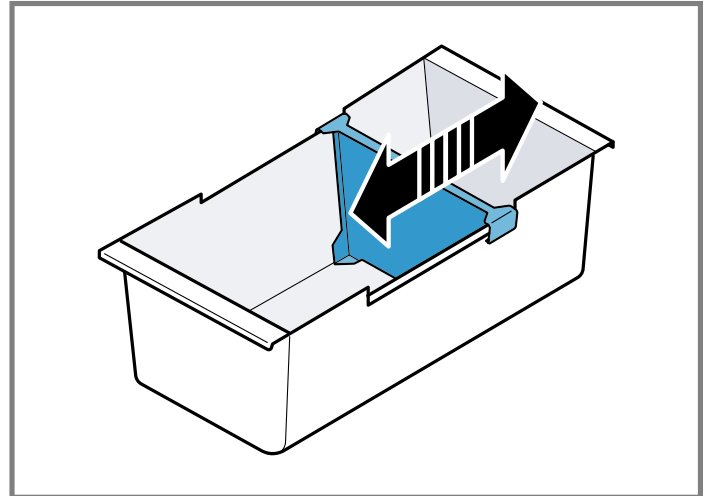
- ▶ Never remove the carrying container dividers of the frozen food container.

NOTICE:

The carrying container divider of the frozen food container will be damaged if removed.

- ▶ Never remove the carrying container dividers of the frozen food container.

To vary the division of the frozen food container, you can move the container divider.



6.7 Flat frozen food container

Store flat frozen items, the ice storage container and the ice scoop in the flat frozen food container.

6.8 Frozen food pull-out container

In order to achieve an improved overview and to remove frozen food more quickly, remove the frozen food pull-out container.

6.9 Frozen food carrying container

Store large frozen items in the frozen food carrying container.

6.10 Butter and cheese compartment

Store butter and hard cheese in the butter and cheese compartment.

6.11 Door rack

To adjust the door rack as required, you can remove the door rack, and re-insert it elsewhere.

→ "Removing the door rack", Page 22

6.12 Ice storage container

If ice cube production is switched on, the ice cubes are automatically stored in the ice storage container.

NOTICE:

The ice maker may become blocked or damaged by food or objects stored in the ice storage container.

- ▶ Never store food or objects in the ice storage container.

6.13 Accessories

Only use original accessories. These are designed especially for your appliance.
The accessories for your appliance depend on the model.

Ethylene absorber

For important safety instructions and information about installation and use, see the enclosed installation and operating instructions for the ethylene absorber.

The ethylene absorber slows down the ripening of ethylene-sensitive fruit and vegetables to keep them fresher for longer.

Attaching the ethylene absorber

- ▶ Attach the ethylene absorber in accordance with the instructions for installation and use for the ethylene absorber.

Using the refill set

1. Install the components of the refill set in accordance with the instructions for installation and use for the ethylene absorber.
2. Replace the bags and the timer every 6 months following activation.

Note: Refill sets consisting of bags and timer are available from our customer service, your dealer or on our website.


Ice scoop

You can use the ice scoop to remove a portion of ice cubes.

7 Basic Operation

7.1 Switching on the appliance

1. Connect the appliance to the electricity supply.
→ Page 7


Note: If the appliance has been previously switched off using the control panel, press  power.

- ✓ The appliance begins to cool.
2. Switch off the warning signal using alarm off.
✓ alarm off goes out as soon as the set temperature has been reached.
 3. Set the required temperature. → Page 13

7.2 Operating tips



- Once you have switched on the appliance, the set temperature is only reached after several hours. Do not put any food in the appliance until the set temperature has been reached.
- The front and side panels of the housing heat up occasionally. This prevents condensation from forming.
- When you close the door, a vacuum may be created. The door is then difficult to open again. Wait a moment until the vacuum is offset.

7.3 Switching off the appliance

- ▶ Press  power.



7.4 Setting the temperature unit

You can choose between the temperature setting °F and °C.

1. Press menu.
2. Press °C/°F.
3. Press / (Submenu setting) until the setting display submenu shows F or C.
4. Press menu.



7.5 Setting the temperature

Setting the refrigerator compartment temperature

- ▶ Press / (Refrigerator compartment) repeatedly until the temperature display (refrigerator compartment) shows the required temperature.

The recommended temperature in the refrigerator compartment is 37 °F (3 °C).

Setting the freezer compartment temperature

- ▶ Press / (Freezer compartment) repeatedly until the temperature display (freezer compartment) shows the required temperature.

The recommended temperature in the freezer compartment is 0 °F (-18 °C).

7.6 Cool-fresh compartment storage setting

You can set the temperature and humidity of the cool-fresh container using predefined storage settings.

Tip: Further settings are available in the Home Connect™ app.

Setting the cool-fresh compartment storage setting

1. Press any touch field on the control panel (cool-fresh compartment).
2. Press and hold **unlock** until the light bar lights up fully.
3. Press the storage setting that you require.

8 Additional functions



8.1 Super cooling

With Super cooling, the refrigerator compartment cools as cold as possible.

Switch on Super cooling before placing large quantities of food.


Note: When Super cooling is switched on, increased noise may occur.

Switching on Super cooling

- ▶ Press super.
- ✓ super lights up.

Note: After approximately 6 hours, the appliance switches to normal operation.

Switching off Super cooling

- ▶ Press super.
- ✓ The previously set temperature is displayed.

8.2 Super freezing



With Super freezing, the freezer compartment cools as cold as possible.

Switch on Super freezing 1 to 2 hours before placing food weighing 4.4 lbs (2 kg) or more into the freezer compartment.

Use Super freezing to accelerate ice cube production.


Note: When Super freezing is switched on, increased noise may occur.

Switching on Super freezing

- ▶ Press super.
- ✓ super lights up.

Note: After approximately 8 hours, the appliance switches to normal operation.

Switching off Super freezing

- ▶ Press super.
- ✓ The previously set temperature is displayed.

8.3 Vacation mode

If you are going to be away for a long time, you can switch on energy-saving vacation mode on the appliance.

CAUTION

The refrigerator compartment heats up while the vacation mode is switched on. The increased temperature may cause bacteria to increase and spoil the food.

- ▶ When the vacation mode is switched on, do not store any food in the refrigerator compartment.

The appliance automatically sets the temperatures.

Refrigerator compartment	43 °F (6 °C)
Cool-fresh compartment	40 °F (4 °C)
Freezer compartment	Temperature remains unchanged

Note: While the vacation mode is activated, the ice cube production and the water dispenser are switched off.

Switching on vacation mode

- ▶ Press vacation.
- ✓ vacation lights up.

Switching off vacation mode

- ▶ Press vacation.
- ✓ The previously set temperature is displayed.

8.4 Energy-saving mode

You can set the appliance to save energy with the energy-saving mode.

The appliance automatically sets the temperatures.

Refrigerator compartment	43 °F (6 °C)
Cool-fresh compartment	32 °F (0 °C)
Freezer compartment	6 °F (-14 °C)

Switching on energy-saving mode

- ▶ Press eco.
- ✓ eco lights up.

Switching off energy-saving mode

- ▶ Press eco.
- ✓ The previously set temperature is displayed.

8.5 Freshness mode

In order to keep the food fresh longer, you can switch on the freshness mode on the appliance.

The appliance automatically sets the temperatures.

Refrigerator compartment	36 °F (2 °C)
Cool-fresh compartment	32 °F (0 °C)
Freezer compartment	Temperature remains unchanged

Switching on freshness mode

- ▶ Press fresh.
- ✓ fresh lights up.

Switching off freshness mode

- ▶ Press fresh.
- ✓ The previously set temperature is displayed.

8.6 Interior lighting

You can switch the interior lighting off or set the brightness.

0	The interior lighting is switched off
1	Minimum brightness
5	Maximum brightness

Setting the interior lighting

1. Press menu.
2. Press light settings.
3. Press / (Submenu setting) until the setting display submenu shows the required setting.
4. Press menu.

8.7 Sabbath mode

To ensure that you can also use the appliance on the Sabbath, the Sabbath mode switches off all non-essential functions.

During Sabbath mode, the following functions are switched off:

- Super cooling
- Super freezing
- Alarm
- Water dispensing
- Ice cube production
- Interior lighting
- Audible signals
- Messages on the control panel

Note: The brightness of the control panel lighting is reduced during the Sabbath mode.

Switching on Sabbath mode

- ▶ Press and hold vacation for 10 seconds until an audible signal sounds.
- ✓ alarm lights up.

Note: After approximately 80 hours, the appliance switches to normal operation.

Switching off Sabbath mode

- ▶ Press and hold alarm for 5 seconds until an audible signal sounds.

8.8 Filter change notification

Every 6 months, the filter change notification will come on. change filter lights up.

Note: Increased water consumption switches the filter change notification on sooner.

Switching off the filter change notification

1. Replace the water filter.
The bypass cap does not need to be replaced.
 2. Press and hold change filter for 3 seconds.
- ✓ change filter goes out.

- ✓ The filter change status is reset.

8.9 Filter change status

If you replace the filter before the filter change notification, reset the filter change status.

!	The measurement of the filter change status is running
0	Resetting the filter change status

Resetting the filter change status

1. Press menu.
 2. Press change filter.
- ✓ The submenu setting display shows !.
3. Press (Submenu setting).
- ✓ The submenu setting display shows 0.
4. Press menu.

9 Alarm

9.1 Door alarm

If the appliance door is open for a while, the door alarm switches on.

Switching off the door alarm

- ▶ Close the appliance door or press alarm off.
- ✓ The warning tone is switched off.
- ✓ alarm off goes out.

Door alarm warning signal

You can activate or deactivate the door alarm warning signal.

0n	Door alarm warning signal activated
0F	Door alarm warning signal deactivated

Activating the door alarm warning signal

1. Press menu.
2. Press alarm off.
3. Press / (Submenu setting) until the setting display submenu shows the required setting.
4. Press menu.

Deactivating the door alarm warning signal

1. Press menu.
2. Press alarm off.
3. Press / (Submenu setting) until the setting display submenu shows the required setting.
4. Press menu.

9.2 Temperature alarm

If the freezer compartment becomes too warm, the temperature alarm will switch on.

CAUTION

During the thawing process, bacteria may multiply and spoil the frozen food.

- ▶ Do not refreeze partly or completely thawed food.
- ▶ Refreeze food only after cooking.

- ▶ The frozen items should no longer be stored for the maximum storage period.

The temperature alarm can be switched on in the following cases:

- The appliance is switched on.
Do not store any food until the appliance has reached the set temperature.
- Large quantities of fresh food are being placed inside.
Switch on Super freezing before placing large quantities of food in the appliance.
- The freezer compartment door is open for too long.
Check whether the frozen food has defrosted or thawed.

Switching off the temperature alarm

- ▶ Press alarm off.
- ✓ The warning tone is switched off.
- ✓ The temperature display (freezer compartment) briefly indicates the warmest temperature reached in the freezer compartment. The temperature display (freezer compartment) then indicates the set temperature again.
- ✓ From this time on, the warmest temperature is recalculated and saved.

10 Home Connect™

This appliance is network-capable. Connecting your appliance to a mobile device lets you control its functions via the Home Connect™ app.

Home Connect™ services are not available in every country. Availability of the Home Connect™ function depends on the availability of Home Connect™ services in your country. You can find information on this at: www.home-connect.com.

To be able to use Home Connect™, you must first set up the connection to the WLAN home network (Wi-Fi¹) and to the Home Connect™ app.

After switching on the appliance, wait at least 2 minutes until internal device initialization is complete. Only then should you set up Home Connect™.

- Connecting appliance to WLAN home network (Wi-Fi) with WPS function → *Page 16*
- Connecting appliance to WLAN home network (Wi-Fi) without WPS function → *Page 16*

The Home Connect™ app will guide you through the entire registration process. Follow the instructions in the Home Connect™ app to make the settings.

Tips

- Please consult the Home Connect™ documents supplied.
- Please also note the information in the Home Connect™ app.

Notes

- Please also note the safety information in this instruction manual and ensure that it is also observed when operating the appliance using the Home Connect™ app.
→ *"Safety", Page 3*
- Operating the appliance on the appliance itself always takes priority. It is not possible to operate the appliance using the Home Connect™ app during this time.

10.1 Connecting the appliance to a WLAN home network (Wi-Fi) with WPS function

If your router has a WPS function, you can connect the appliance to your WLAN home network (Wi-Fi) automatically.

1. Press menu.
 - ✓ connect lights up and the submenu display shows **Ln**.
2. Press **∨/∧** (Submenu) repeatedly until the submenu display shows **RC** and the submenu setting display shows **GF**.
3. Press **∧** (Submenu setting).
 - ✓ The submenu display shows an animation for 2 minutes. The appliance is ready for automatic connection to the WLAN home network (Wi-Fi).
4. Activate the WPS function on the router during this period.

To do this, take note of the information in the documents for your router.

 - ✓ If the connection is successful, **On** flashes in the submenu setting display.
5. If the submenu display shows **Er**, the appliance was unable to establish a connection to the WLAN home network (Wi-Fi).
 - Check whether the appliance is located within the range of the WLAN home network (Wi-Fi).
→ *"Checking the signal strength", Page 17*
 - Repeat the process or connect manually
→ *Page 16*.
6. Connect the appliance to the Home Connect app.
→ *Page 17*

10.2 Connecting the appliance to a WLAN home network (Wi-Fi) without WPS function

If your router does not have a WPS function, you can connect the appliance to your WLAN home network (Wi-Fi) manually. The appliance briefly sets up its own WLAN network. You can connect a mobile device to the WLAN network and transfer the network information for the WLAN home network (Wi-Fi) to your appliance.

Requirement: The Home Connect™ app has been installed on your mobile device.

1. Press menu.
 - ✓ connect lights up and the submenu display shows **Ln**.
2. Press **∨/∧** (Submenu) repeatedly until the submenu display shows **SA** and the submenu setting display shows **GF**.
3. Press **∧** (Submenu setting).
 - ✓ The appliance now sets up its own WLAN network with the network name "HomeConnect".
 - ✓ The submenu setting display shows an animation. The appliance is ready for manual connection to the WLAN home network (Wi-Fi).
4. Follow the instructions in the Home Connect™ app on the mobile device.
 - ✓ The network information for the WLAN home network (Wi-Fi) is transferred to the appliance.

¹ Wi-Fi is a registered trade mark of the Wi-Fi Alliance.

- ✓ If the connection is successful, **0n** flashes in the submenu setting display.
- 5. If the submenu display shows **Er**, the appliance was unable to establish a connection to the WLAN home network (Wi-Fi).
 - Check whether the appliance is located within the range of the WLAN home network (Wi-Fi).
 - "Checking the signal strength", Page 17
 - Repeat the process.

10.3 Connecting the appliance to the Home Connect™ app

If you have automatically connected your appliance to your WLAN home network (Wi-Fi), you can connect your appliance to the Home Connect™ app.

Requirements

- The appliance is connected to the WLAN home network (Wi-Fi). → Page 16
- The Home Connect™ app has been installed on your mobile device.

1. Press menu.
 - ✓ connect lights up and the submenu display shows **Ln**.
2. Press **∨/∧** (Submenu) repeatedly until the submenu display shows **PR** and the submenu setting display shows **0F**.
3. Press **∧** (Submenu setting).
 - ✓ The submenu setting display shows an animation.
4. Follow the instructions in the Home Connect™ app until the process is complete.
 - ✓ If the connection is successful, the submenu setting display shows **0n**.
5. If the submenu setting display shows **Er**, the appliance was unable to establish a connection to the Home Connect™ app.
 - In the Home Connect™ app, check whether the mobile device is connected to the WLAN home network (Wi-Fi).
 - Repeat the process.
6. If the submenu setting display shows **rE**, reset the Home Connect™ settings. → Page 17

10.4 Checking the signal strength

You should check the signal strength if no connection could be established.

1. Press menu.
 - ✓ connect lights up and the submenu display shows **Ln**.
2. Press **∨/∧** (Submenu) repeatedly until the submenu display shows **5l**.
 - ✓ The submenu display shows a value between setting **0** (no reception) and **3** (full reception).
3. Press menu.

Note: The signal strength should be at least **2**.

Improving the reception

If the signal strength is too weak, the connection may be interrupted.

- ▶ Carry out one of the solution options:
 - Place the router and refrigerator closer together.
 - Ensure that the connection is not interfered with by screening walls.

- Install a repeater to strengthen the signal.

10.5 Installing updates for the Home Connect software

The appliance searches for updates to the Home Connect™ software at regular intervals.

Note: If updates are available, the submenu display shows **UP**.

To cancel the update and reset the submenu display to the set temperature, press any touch field.

1. Press menu.
 - ✓ connect lights up and the submenu display shows **Ln**.
2. Press **∨/∧** (Submenu) repeatedly until the submenu display shows **UP** and the submenu setting display shows **0F**.
3. Press **∧** (Submenu setting).
 - ✓ The submenu setting display shows an animation.
 - ✓ The update is installed.
 - ✓ The control panel is locked during the installation.
 - ✓ If the installation is successful, the submenu setting display shows **0n**.
4. If the submenu setting display shows **Er**, the appliance was unable to install the update.
 - Repeat the process at a later point.
5. If the update cannot be completed after several attempts, contact customer service → Page 29.

10.6 Resetting the Home Connect™ settings

If your appliance experiences connection problems with the WLAN home network (Wi-Fi) or your appliance wants to log into a different WLAN home network (Wi-Fi), you can reset the Home Connect™ settings.

1. Press menu.
 - ✓ connect lights up and the submenu display shows **Ln**.
2. Press **∨/∧** (Submenu) repeatedly until the submenu display shows **rE** and the submenu setting display shows **0F**.
3. Press **∧** (Submenu setting).
 - ✓ The submenu setting display shows an animation for approximately 15 seconds.
 - ✓ The submenu setting display then shows **0n**.
 - ✓ The Home Connect™ settings have been reset.
4. Press menu.

10.7 Remote diagnostics

The Customer Service can access your appliance via Remote Diagnostics if you ask them to do so, if your appliance is connected to the Home Connect™ server and if Remote Diagnostics is available in the country where you are using the appliance.

Tip: Further information and details about the availability of Remote Diagnostics in your country can be found in the Service/Support section of your local website: www.home-connect.com

10.8 Data Protection

Please see the information on data protection. The first time your appliance is registered on a home network connected to the Internet, your appliance will transmit the following types of data to the Home Connect™ server (initial registration):

- Unique appliance identification (consisting of appliance codes as well as the MAC address of the installed Wi-Fi communication module).
- Security certificate of the Wi-Fi communication module (to ensure a secure data connection).
- The current software and hardware version of your appliance.
- Status of any previous reset to factory settings.

This initial registration prepares the Home Connect™ functions for use and is only required when you want to use the Home Connect™ functions for the first time.

Note: Please note that the Home Connect™ functions can be utilized only with the Home Connect™ app. Information on data protection can be called up in the Home Connect™ app.

11 Refrigerator compartment

You can keep dairy products, eggs, prepared meals, pastries, open preserves and hard cheese in the refrigerator compartment.

The temperature can be set from 33 °F (1 °C) to 43 °F (6 °C).

The refrigerator compartment can also be used to store highly perishable foods in the short to medium term. The lower the selected temperature, the longer the food remains fresh.

11.1 Tips for storing food in the refrigerator compartment

- Only store food when fresh and undamaged.
- Store food covered or in air-tight packaging.
- Allow hot food and drinks to cool down first before placing in the appliance.
- Observe the best-before date or expiration date specified by the manufacturer.

11.2 Chill zones in the refrigerator compartment

The air circulation in the refrigerator compartment creates different chill zones.

Coldest zone

The coldest zone is in the pull-out container.

Tip: Store highly perishable food such as fish, sausages and meat in the cool-fresh compartment.

→ "Cool-fresh compartment", Page 18

Warmest zone

The warmest zone is at the very top of the door.

Tip: Store groceries that do not spoil easily in the warmest zone, e.g. hard cheese and butter. Cheese can then continue to release its flavor and the butter will still be easy to spread.

12 Cool-fresh compartment

In the cool-fresh compartment, you can keep fresh food fresh up to three times longer than in the refrigerator compartment.

The temperature can be set from 29 °F (-2 °C) to 40 °F (4 °C) using pre-defined storage settings.

Storing food in the cool-fresh compartment retains the quality of the food better. The low temperature and the optimum moisture provide ideal storage conditions for fresh food.

12.1 Storage recommendations for the cool-fresh compartment

Storage setting	Food
29°F ◊	Meat, fish and seafood
32°F ◊	Fruit, mixed load with fruit and vegetables, sausage, cheese and dairy products
32°F ◊◊	Vegetables
34°F ◊	Beverages
40°F ◊	Snacks and other items

Tip: Fruit, vegetables, drinks and snacks may freeze below 32 °F (0 °C).

Only use the storage setting 29°F ◊ for meat and fish.

13 Freezer compartment

You can store frozen food, freeze food and make ice cubes in the freezer compartment.

The temperature can be set from 6 °F (-14 °C) to -7 °F (-22 °C).

Long-term storage of food should be at 0 °F (-18 °C) or lower.

The freezer compartment can be used to store perishable food long-term. The low temperatures slow down or stop the spoilage.

13.1 Tips for storing food in the freezer compartment

- Store food in air-tight packaging.
- Do not bring food which is to be frozen into contact with frozen food.
- Place the food over the whole area of the frozen food containers.
- To quickly and gently freeze larger quantities of fresh food, place this in the frozen food pull-out container.

13.2 Tips for freezing fresh food

- Freeze fresh and undamaged food only.
- Freeze food in portions.
- Cooked food is more suitable for freezing than food that can be eaten raw.
- Vegetables: Wash, chop up and blanch before freezing.
- Fruit: Wash, pit and perhaps peel, possibly add sugar or ascorbic acid solution.

- Food that is suitable for freezing includes baked items, fish and seafood, meat, game, poultry, eggs without shells, cheese, butter and curd cheese, prepared meals and leftovers.
- Food that is unsuitable for freezing includes lettuce, radishes, eggs in shells, grapes, raw apples and pears, yogurt, sour cream, crème fraîche and mayonnaise.

Packing frozen food

If you select suitable packaging material and the correct type of packaging, you can determine the product quality and prevent freezer burn.

1. Place the food in the packaging.
2. Squeeze out the air.
3. Pack food airtight to prevent it from losing flavor or drying out.
4. Label the packaging with the contents and the date of freezing.

13.3 Defrosting methods for frozen food

⚠ CAUTION

During the thawing process, bacteria may multiply and spoil the frozen food.

- ▶ Do not refreeze partly or completely thawed food.
- ▶ Refreeze food only after cooking.
- ▶ The frozen items should no longer be stored for the maximum storage period.
- Defrost animal-based food, such as fish, meat, cheese, quark, in the refrigerator compartment.
- Defrost bread at room temperature.
- Prepare food for immediate consumption in the microwave, in the oven or on the cooktop.

14 Water system

Your appliance is equipped with water-carrying components.

The water system only works if a water filter or a bypass cap is installed.

14.1 Water filter

The water filter filters particles and the taste of chlorine out of the water.

The water filter reduces further contamination, e. g. from chloramines, lead and pharmaceutical products.

Note: The water filter does not filter bacteria or microbes out of the water.

Change the water filter:

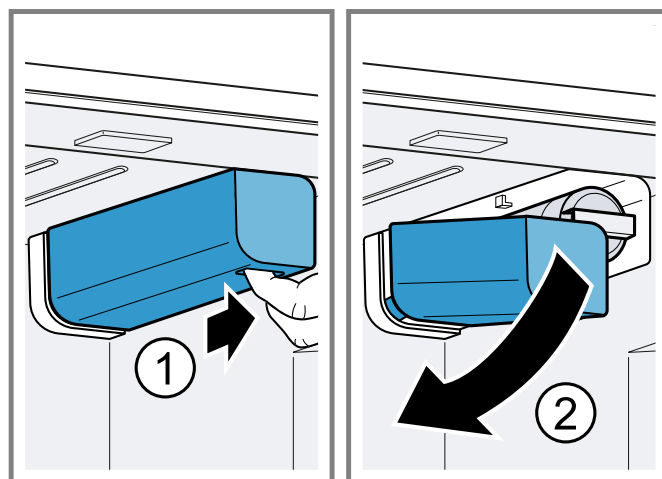
- every 6 months.
- if change filter lights up.
- if the water output has visibly reduced.

Tips

- A new water filter can be purchased from customer service, your dealer or our website.
- If you do not want to use a water filter in your appliance or an external water filter system is installed, you can permanently replace the water filter with a bypass cap. The bypass cap filters only large particles out of the water and can be cleaned as required. A bypass cap can be purchased from customer service or our website.

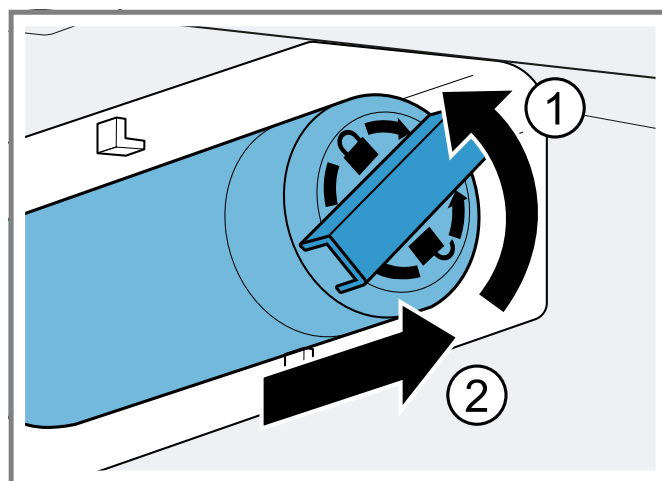
Changing the water filter or replacing it with a bypass cap

1. Reach into the recess below the filter cover, pull it forward slightly ① and move it to the bottom left ②.



2. Turn the water filter counterclockwise by 90° ① and remove it ②.

– Remove the water filter with care as it is under pressure.



Note: When removing it, a small amount of water may drip out of the water filter. Remove the drips of water with a dry cloth.

Tip: You can dispose of the old water filter with your household garbage.

3. Insert the new water filter or the bypass cap all the way into the filter opening and turn it 90° clockwise until it stops.
4. Move the filter cover up to the right and slide back all the way.
5. Discard the ice cubes produced during the first 24 hours, and dispense water for 5 minutes and discard.

14.2 Water dispenser

Dispense cold water via the water dispenser.

Putting the water dispenser into operation

Note: Once the appliance has been connected or a new water filter has been installed, there will be air in the water system.

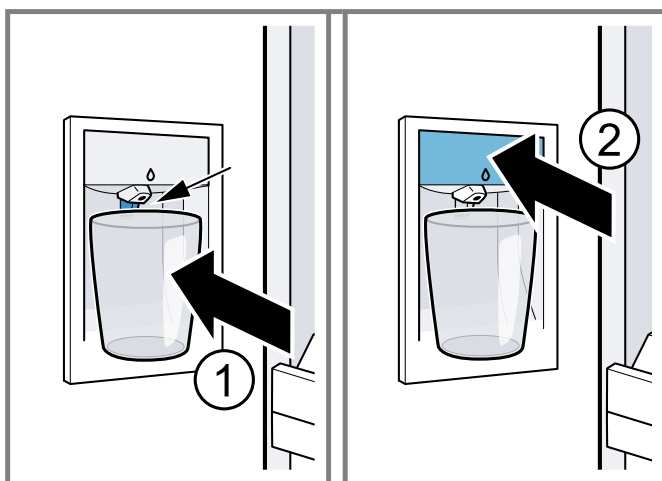
1. Keep dispensing water until it contains no more air bubbles.

Remove any splashes of water with a dry cloth.

2. For hygiene reasons, dispense water for 5 minutes and discard.

Dispensing water

- ▶ Press and hold the glass against the dispensing button ① or hold the glass under the water dispenser and press \odot ②.



Notes

- After a while of continuous dispensing, the water stops being dispensed. Wait a few seconds before dispensing water again.
- After water has been dispensed several times consecutively, water stops being dispensed. Wait a few minutes before dispensing water again.

14.3 Ice maker

Use the ice maker to produce ice cubes.

⚠ WARNING

Rotating parts may cause injury.

- ▶ Never reach into or underneath the ice maker.

Note: The ice maker automatically detects that the ice storage container is full. It could take up to 48 hours until the ice storage container is full.

Tips

- You can accelerate ice cube production by setting a colder freezer compartment temperature or by switching on Super freezing. This will slightly increase energy consumption.
- If the ice cubes taste stale, discard them and the cubes produced over the next 24 hours. If the ice cubes still taste stale, change the water filter.

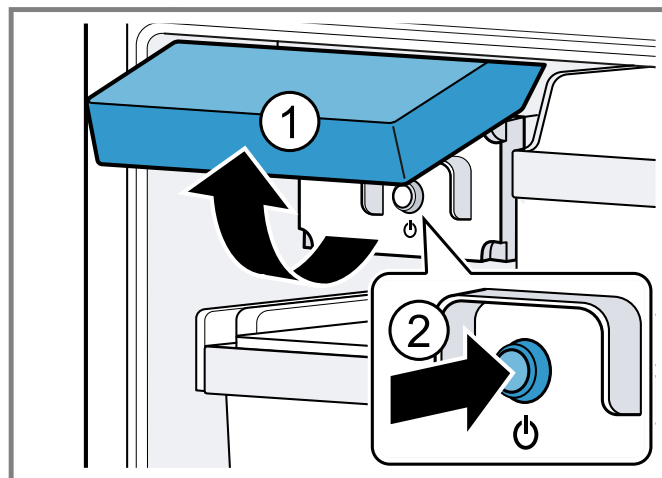
Putting the ice maker into operation

Notes

- Ice cube production starts as soon as the appliance is switched on and the freezer compartment has reached the set temperature.
- As soon as the freezer compartment reaches the set temperature, the first batch of ice cubes will be ready in approximately 4 hours.
- ▶ For hygiene reasons, discard the ice cubes produced within the first 24 hours.

Switching on ice cube production

- ▶ Lift the ice maker cover upwards ① and press the ice maker button ②.

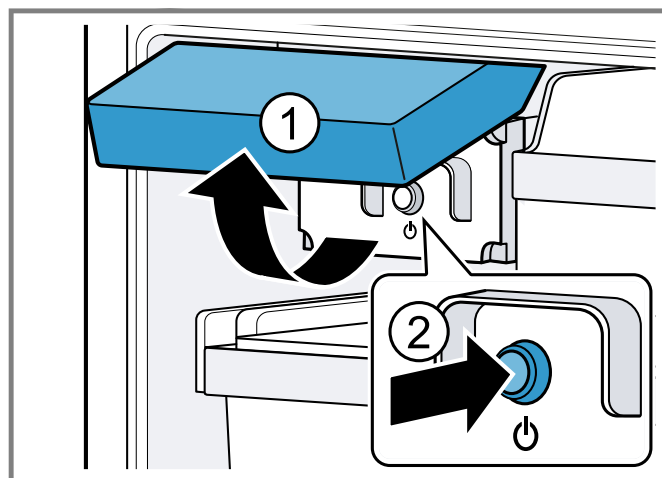


- ✓ The ice maker button lights up.

Note: If you press and hold the ice maker button for 3 seconds, the filter change status is reset.

Switching off ice cube production

- ▶ Lift the ice maker cover upwards ① and press the ice maker button ②.



- ✓ The ice maker button goes out.

Note: If you press and hold the ice maker button for 3 seconds, the filter change status is reset.

15 Defrosting

15.1 Defrosting in the refrigerator compartment

The refrigerator compartment in your appliance defrosts automatically.

15.2 Defrosting in the cool-fresh compartment

The cool-fresh compartment in your appliance defrosts automatically.

15.3 Defrosting in the freezer compartment

The fully automatic NoFrost system ensures that the freezer compartment remains frost-free. Defrosting is not required.

16 Cleaning and maintenance

To keep your appliance working efficiently for a long time, it is important to clean and maintain it carefully. Customer Service must clean inaccessible points. Cleaning by Customer Service can give rise to costs.

16.1 Preparing the appliance for cleaning

1. Switch off the appliance. → *Page 13*
2. Disconnect the appliance from the power supply.
Unplug the appliance from the power source or switch off the circuit breaker in the fuse box.
3. Take out all of the food and store it in a cool place.
Place ice packs (if available) onto the food.
4. Remove all fittings and accessories from the appliance.
→ *Page 21*
5. Remove the telescopic rails. → *Page 23*
6. Remove the refrigerator compartment glass plate.
→ *Page 24*
7. Remove the cool-fresh container cover. → *Page 25*

16.2 Cleaning the appliance

⚠ WARNING

Moisture intrusion may cause an electric shock.

- ▶ Do not use any steam cleaners or high-pressure cleaners to clean the appliance.

NOTICE:

Unsuitable cleaning agents may damage the surfaces of the appliance.

- ▶ Do not use hard scouring pads or cleaning sponges.
- ▶ Do not use strong or abrasive cleaning agents.
- ▶ Do not use cleaning agents with a high alcohol content.
- ▶ Do not use stainless-steel cleaning agents on the outside of the appliance.

If you clean fittings and accessories in the dishwasher, this may cause them to become deformed or discolored.

- ▶ Never clean fittings and accessories in the dishwasher.

1. Prepare the appliance for cleaning. → *Page 21*

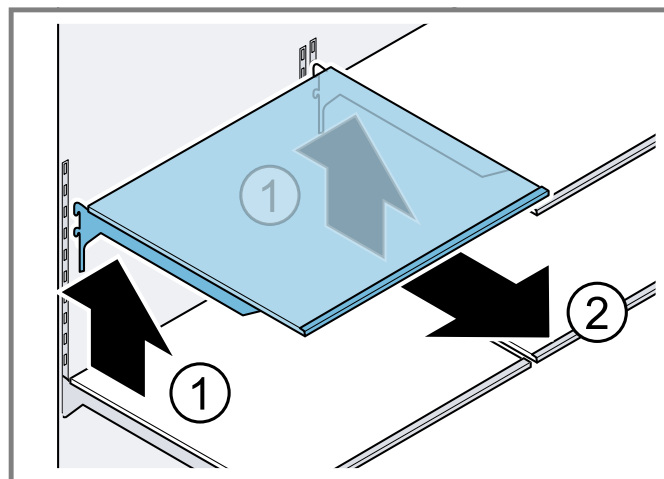
2. Clean the appliance, the fittings, the accessories and the door seals with a dish cloth, lukewarm water and a little pH-neutral dishwashing liquid.
3. Dry thoroughly with a soft, dry cloth.
4. Insert the fittings and install the appliance components.
5. Connect the appliance to the electricity supply.
6. Switch on the appliance. → *Page 13*
7. Put the food into the appliance.

16.3 Removing the fittings

If you want to clean the fittings thoroughly, remove these from your appliance.

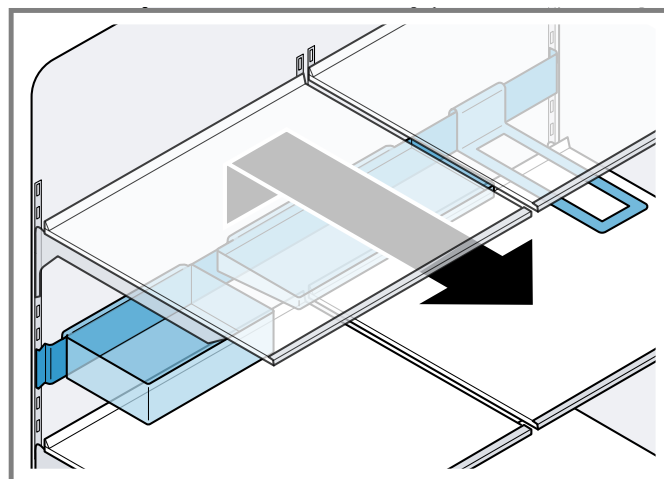
Removing the shelf

- ▶ Lift the shelf ① and remove it ②.



Removing the equipment bar

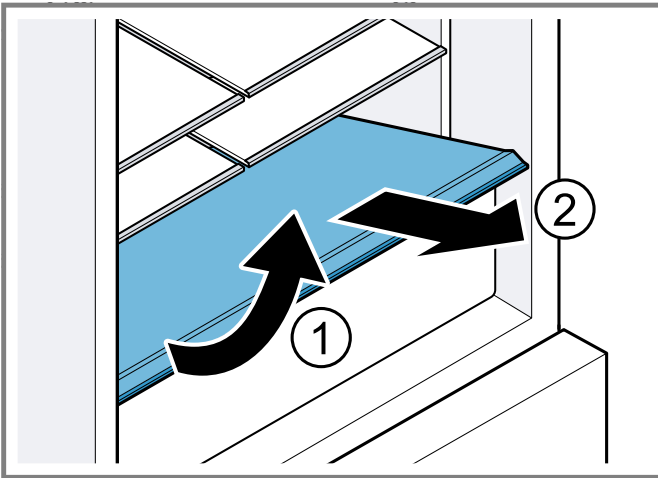
- ▶ Lift the equipment bar and remove it.



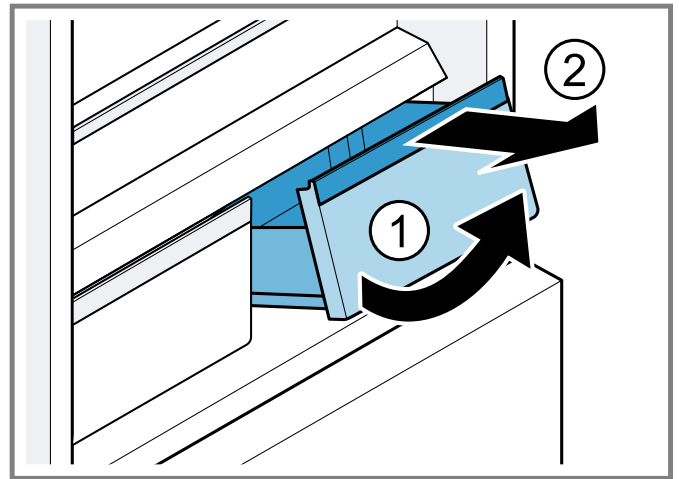
Removing the fixed shelf

1. Pull out the pull-out container.

2. Lift the fixed shelf at the front ① and remove it ②.

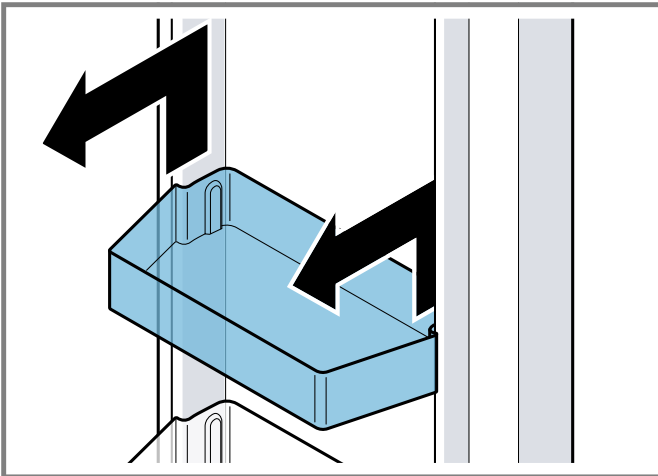


2. Lift the cool-fresh container at the front ① and remove it ②.



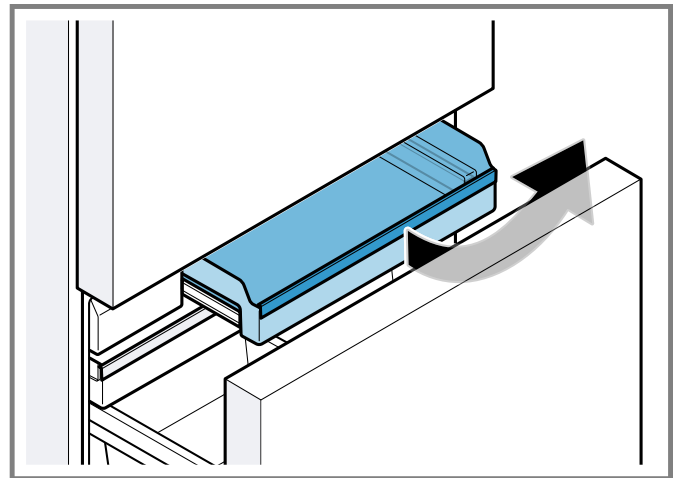
Removing the door rack

- ▶ Lift the door rack and remove it.



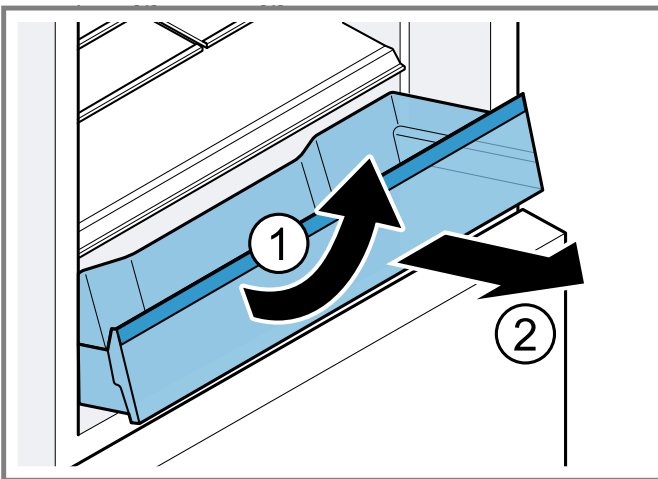
Removing the frozen food pull-out container

1. Pull out the frozen food pull-out container as far as it will go.
2. Lift the frozen food pull-out container at the front and remove it.



Removing the pull-out containers

1. Pull out the pull-out container as far as it will go.
2. Lift the pull-out container at the front ① and remove it ②.

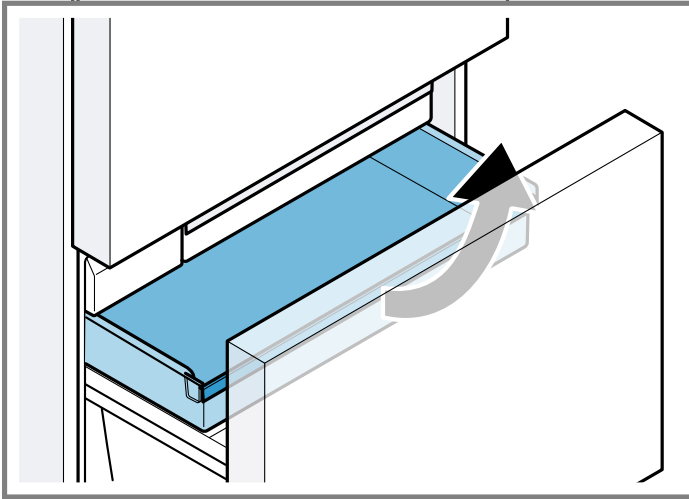


Removing the flat frozen food container

1. Pull out the flat frozen food container as far as it will go.
2. Lift the flat frozen food container at the front and remove it.

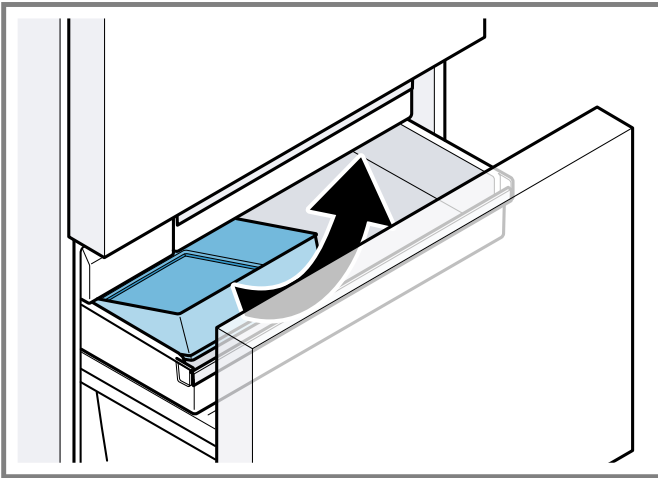
Removing the cool-fresh container

1. Pull the cool-fresh container out all the way.



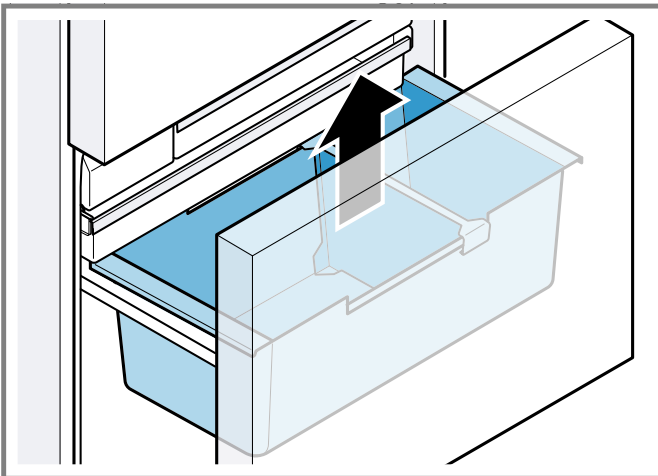
Removing the ice cube container

1. Pull out the flat frozen food container as far as it will go.
2. Lift the ice cube container at the front and remove it.



Removing the frozen-food carrying container

- Remove the frozen-food carrying container upwards.



16.4 Removing the appliance components

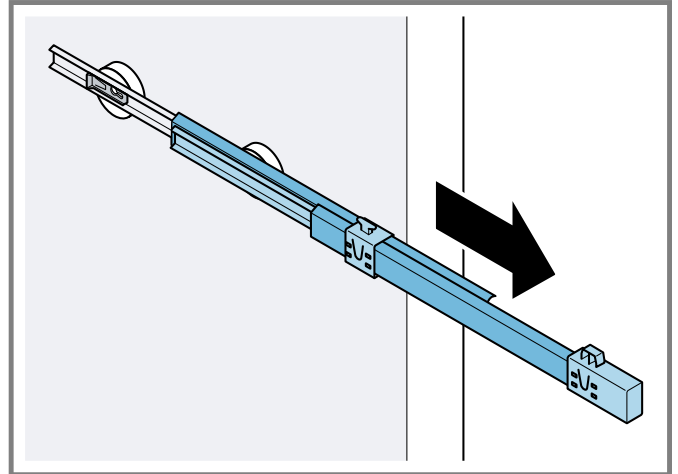
If you want to clean your appliance thoroughly, you can remove certain components from your appliance.

Telescopic rails

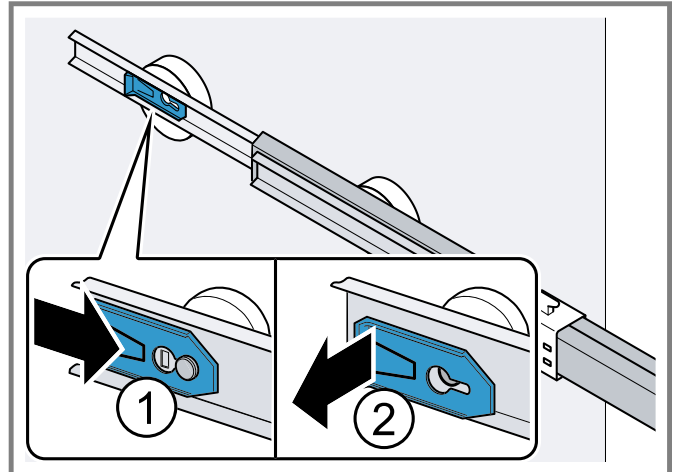
You can remove the telescopic rails in order to clean them thoroughly.

Removing the telescopic rails

1. Pull out the telescopic rail.

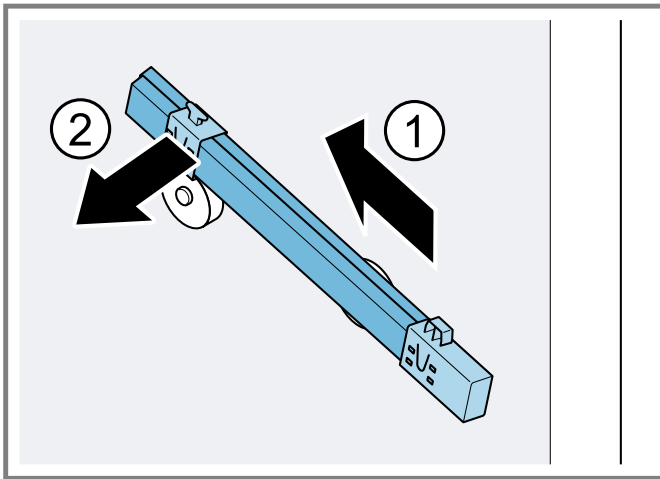


2. Move the lock in the direction of the arrow ① and loosen the pin from the rear ②.



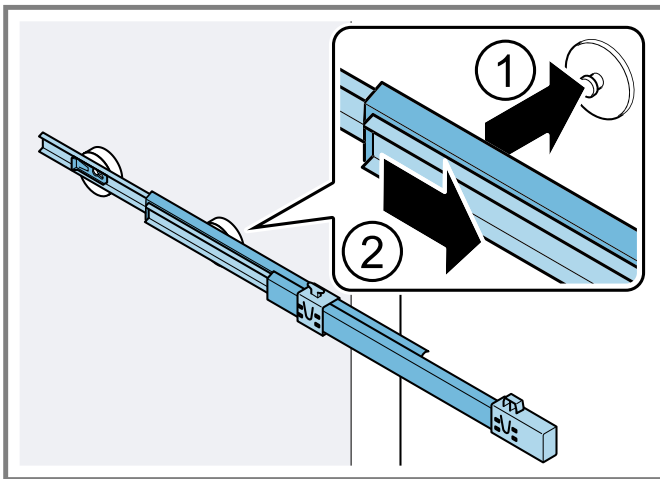
3. Push in the telescopic rail.

4. Push the telescopic rail backwards above the rear pin ① and disengage ②.

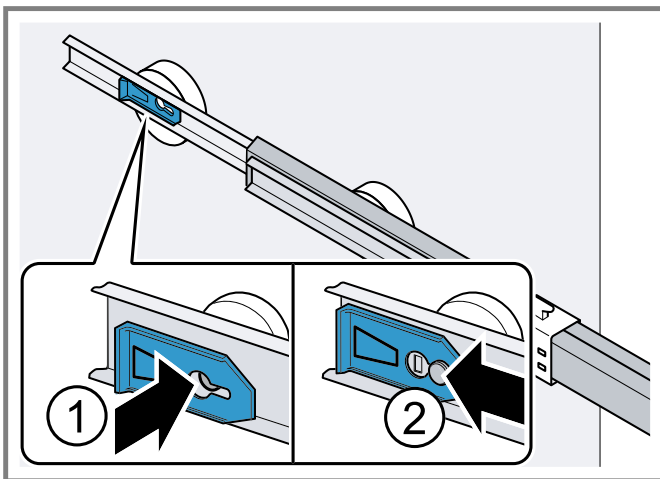


Installing the telescopic rails

1. Place the extended telescopic rail on the front pin ① and pull it forwards slightly to lock in place ②.



2. Place the telescopic rail on the rear pin ① and push the locking mechanism back ②.

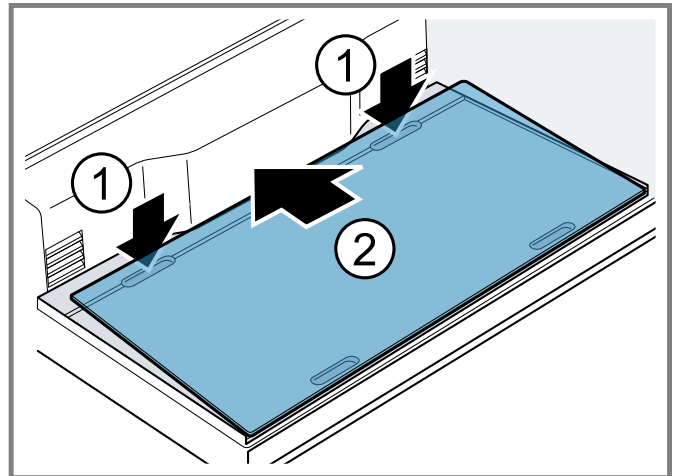


Refrigerator compartment glass plate

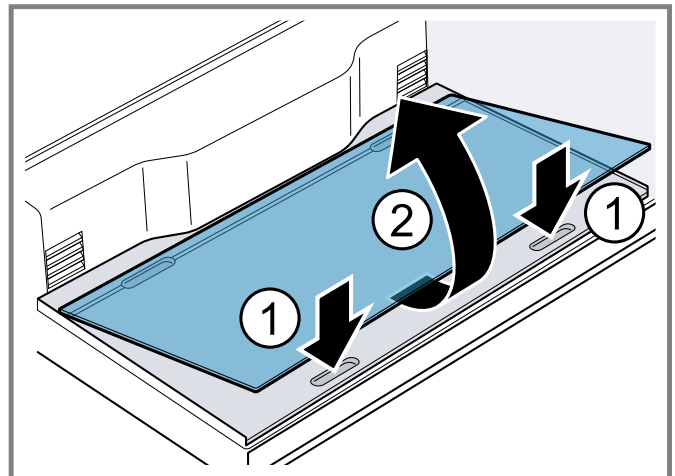
To clean the refrigerator compartment glass plate thoroughly, you can remove it.

Removing the refrigerator compartment glass plate

1. Grip both the rear recesses at the base of the refrigerator compartment and lift the refrigerator compartment glass plate ①. Slide the refrigerator compartment glass plate towards the rear ②.

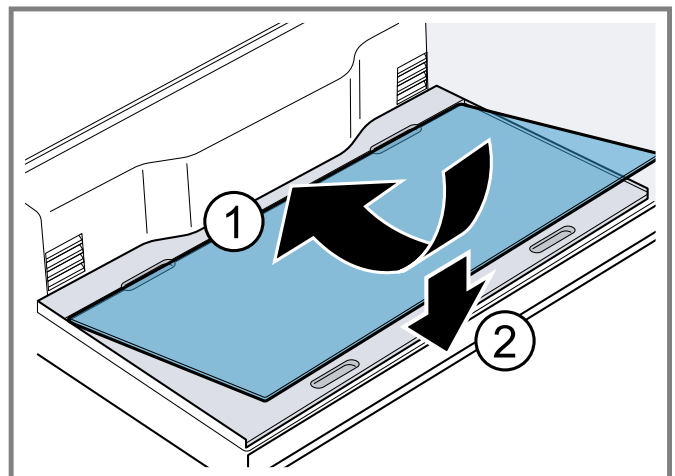


2. Grip both the front recesses at the base of the refrigerator compartment ①, lift the refrigerator compartment glass plate and remove it ②.



Install the refrigerator compartment glass plate

- Place the refrigerator compartment glass plate at the rear of the refrigerator compartment ① and lower it ②.

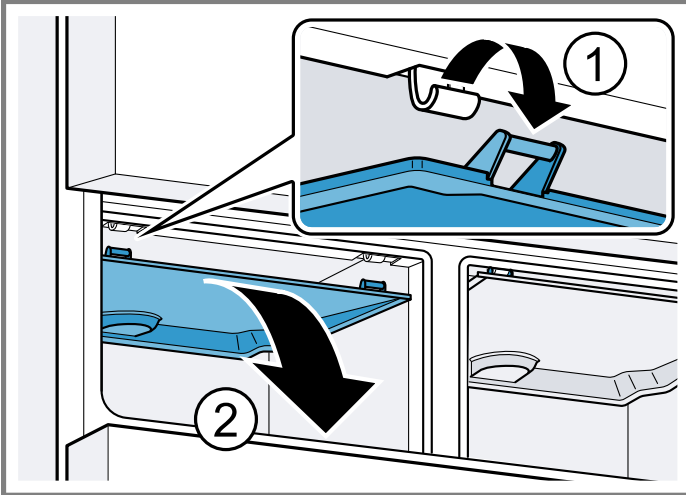


Cool-fresh container cover

To clean the cool-fresh container cover thoroughly, you can remove it.

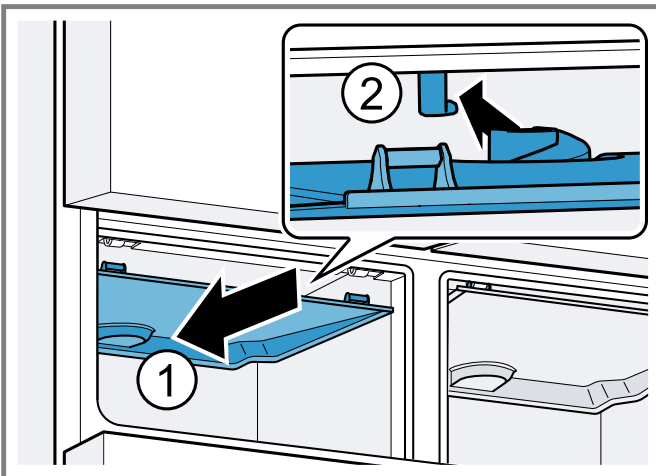
Removing the cool-fresh container cover

1. Remove the cool-fresh container.
2. Unclip the cool-fresh container cover ① and remove it ②.

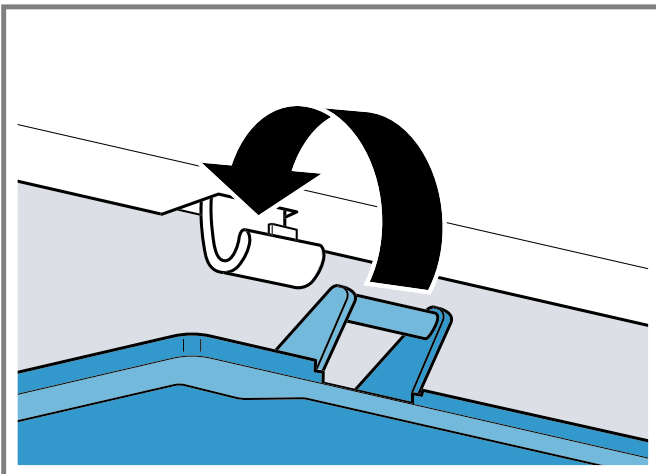


Fitting the cool-fresh container cover

1. Slide the lid of the cool-fresh container symmetrically towards the rear ① and hook it into place ②.



2. Click the cool-fresh container lid into place.



3. Install the cool-fresh container.

17 Troubleshooting

You can eliminate minor issues on your appliance yourself. Please read the information on eliminating issues before contacting Customer Service. This may avoid unnecessary repair costs.

- ▶ If the power cord of this appliance becomes damaged, it must be replaced with a specific connection cord, which is available from the manufacturer or the manufacturer's Customer Service.

WARNING

Improper repairs are dangerous.

- ▶ Only original spare parts may be used to repair the appliance.

Issue	Cause and troubleshooting
The appliance is not cooling, the displays and lighting light up.	Showroom mode is switched on. <ol style="list-style-type: none"> 1. Press and hold alarm off for 15 seconds until three audible signals sound. <ul style="list-style-type: none"> ✓ The lighting on the control panels and the interior lighting switch themselves off briefly. ✓ alarm off flashes and a warning signal sounds. 2. Press alarm off. 3. After a short time, check whether your appliance is cooling.
The LED lighting does not work.	Various causes are possible. <ul style="list-style-type: none"> ▶ Call customer service. → "Customer service", Page 29
Home Connect is not working properly.	Various causes are possible. <ul style="list-style-type: none"> ▶ Go to www.home-connect.com.
E or d appears in the temperature display.	The electronics have detected a fault. <ol style="list-style-type: none"> 1. Switch off the appliance. → Page 13 2. Disconnect the appliance from the power supply. Unplug the power plug or switch off the circuit breaker in the fuse box. 3. Reconnect the appliance after 5 minutes. 4. Switch on the appliance. → Page 13 5. If the message still appears on the display, call customer service. → "Customer service", Page 29
The temperature display (freezer compartment) flashes, a warning signal sounds and alarm off flashes. The temperature alarm is switched on.	Various causes are possible. <ol style="list-style-type: none"> 1. Press alarm off. <ul style="list-style-type: none"> ✓ The alarm is switched off. 2. After several hours, check whether the set freezer compartment temperature has been reached again. <p>The exterior ventilation grilles are blocked.</p> <ul style="list-style-type: none"> ▶ Remove any obstructions from in front of the exterior ventilation grilles. <p>Large quantities of fresh food have been placed inside.</p> <ul style="list-style-type: none"> ▶ Switch on Super freezing before placing a larger amount of food in the appliance. → "Switching on Super freezing", Page 14
A warning signal sounds and alarm off flashes. The door alarm is switched on.	The appliance door is open. <ul style="list-style-type: none"> ▶ Close the appliance door.
The temperature differs greatly from the setting.	Various causes are possible. <ol style="list-style-type: none"> 1. Switch off the appliance. → Page 13 2. Switch the appliance back on after approximately 5 minutes. → Page 13 <ul style="list-style-type: none"> – If the temperature is too warm, check the temperature again after a couple of hours. – If the temperature is too cold, check the temperature again on the following day.
Water is leaking out of the appliance.	The water connection or water hose is not leak-tight. <ul style="list-style-type: none"> ▶ Check if the water connections are fastened firmly and the water hose is undamaged. If necessary, replace the water hose.

Issue	Cause and troubleshooting
Water output is reduced.	<p>Low water pressure.</p> <ul style="list-style-type: none"> ▶ Check the pressure of the water supply system or the external water filter system, e.g. reverse osmosis system. <p>Connect the appliance only to a water connection with sufficient water pressure. → <i>Page 6</i></p> <hr/> <p>The water filter is blocked.</p> <ul style="list-style-type: none"> ▶ Change the water filter. → <i>Page 19</i>
Water is dripping from the water dispenser.	<p>Air is in the water system.</p> <ul style="list-style-type: none"> ▶ Keep dispensing water until it contains no more air.
The water dispenser is not functioning.	<p>There is no water supply.</p> <ul style="list-style-type: none"> ▶ Ensure that there is a water supply and that the shut-off valve on the water connection is open. <p>Contact an installer if necessary.</p> <hr/> <p>Kink in the water hose.</p> <ul style="list-style-type: none"> ▶ Turn off the water supply and straighten the kink in water hose. <p>If necessary, replace the water hose.</p>
Ice cube production is low.	<p>The appliance has only recently been connected.</p> <ul style="list-style-type: none"> ▶ Wait approximately 4 hours until the first batch of ice cubes is ready. <hr/> <p>The freezer compartment has been opened frequently or for an extended period of time.</p> <ul style="list-style-type: none"> ▶ Check ice cube production after a few hours. <hr/> <p>Low water pressure.</p> <ul style="list-style-type: none"> ▶ Check the pressure of the water supply system or the external water filter system, e.g. reverse osmosis system. <p>Connect the appliance only to a water connection with sufficient water pressure. → <i>Page 6</i></p> <hr/> <p>The water filter is blocked.</p> <ul style="list-style-type: none"> ▶ Change the water filter. → <i>Page 19</i> <hr/> <p>Food or objects are blocking the fill level sensor for the ice maker.</p> <ul style="list-style-type: none"> ▶ Remove all food and objects from the ice storage container. <hr/> <p>Fault in the ice maker.</p> <ol style="list-style-type: none"> 1. Switch off the appliance. → <i>Page 13</i> 2. Disconnect the appliance from the power supply. Unplug the power plug or switch off the circuit breaker in the fuse box. 3. Reconnect the appliance after 5 minutes. 4. Switch on the appliance. → <i>Page 13</i> 5. If the fault persists, call customer service. → <i>Page 29</i>
The ice maker is not functioning.	<p>Ice cube production is switched off.</p> <ul style="list-style-type: none"> ▶ Switch on ice cube production. → <i>Page 20</i> <hr/> <p>There is no water supply.</p> <ul style="list-style-type: none"> ▶ Ensure that there is a water supply and that the shut-off valve on the water connection is open. <p>Contact an installer if necessary.</p> <hr/> <p>Kink in the water hose.</p> <ul style="list-style-type: none"> ▶ Turn off the water supply and straighten the kink in water hose. <p>If necessary, replace the water hose.</p> <hr/> <p>Fault in the ice maker.</p> <ol style="list-style-type: none"> 1. Switch off the appliance. → <i>Page 13</i> 2. Disconnect the appliance from the power supply. Unplug the power plug or switch off the circuit breaker in the fuse box. 3. Reconnect the appliance after 5 minutes. 4. Switch on the appliance. → <i>Page 13</i> 5. If the fault persists, call customer service. → <i>Page 29</i>

Issue	Cause and troubleshooting
The appliance hums, bubbles, buzzes, gargles, clicks, crackles or rumbles.	Not a fault. A motor is running, e.g. refrigerating unit, fan. Refrigerant is flowing through the pipes. The motor, switches, solenoid valves or water valves are switching on or off. Automatic defrosting is running. Ice cubes fall into the ice storage container. No action required.
The appliance makes noises.	The appliance is not level. ▶ Align the appliance using a bubble level and the screw feet.
	The appliance is not free-standing. ▶ Observe the minimum clearances for the appliance.
	Fittings wobble or stick. ▶ Check the removable fittings and, if required, replace these.
	Bottles or containers are touching. ▶ Move the bottles or containers away from each other.
	Super freezing is switched on. No action required.

17.1 Power failure

During a power failure, the temperature in the appliance rises; this reduces the storage time and the quality of the frozen food.

Notes

- Open the appliance as little as possible during a power failure and do not place any other food in the appliance.

17.2 Conducting an appliance self-test

1. Switch off the appliance. → *Page 13*
2. Disconnect the appliance from the power supply.
Unplug the appliance from the power source or switch off the circuit breaker in the fuse box.
3. Connect the appliance to the electricity supply after 5 minutes.
4. Switch on the appliance. → *Page 13*
5. Within the first 2 minutes after switching on, press and hold menu for 10 seconds until an audible signal sounds.
 - ✓ The appliance self-test starts.
 - ✓ While the appliance self-test is running, a long audible signal sounds.
 - ✓ If, at the end of the appliance self-test, two audible signals sound and the temperature display indicates the set temperature, your appliance is OK. The appliance switches to normal operation.
 - ✓ If, at the end of the appliance self-test, five audible signals sound and the submenu setting display shows Er, inform Customer Service.

18 Storage and disposal

Here you can find out how to prepare your appliance for storage. You can also find out how to dispose of used appliances.

18.1 Taking the appliance out of operation

1. Switch off the appliance. → *Page 13*
2. Disconnect the appliance from the power supply.
Unplug the appliance from the power source or switch off the circuit breaker in the fuse box.

- Check the quality of the food immediately after a power failure.
 - Dispose of any frozen food that has defrosted and is hotter than 41 °F (5 °C).
 - Cook or fry slightly thawed frozen food, and then either consume it or freeze it again.

3. Disconnect the appliance from the drinking water connection.
4. Remove all of the food.
5. Remove the water filter. → *Page 19*
6. Clean the appliance. → *Page 21*
7. To ensure the ventilation inside the appliance, leave the appliance open.

18.2 Disposal of your old appliance

Environmentally compatible disposal allows valuable raw materials to be recycled.

WARNING

Children can lock themselves in the appliance, thereby putting their lives at risk.

- ▶ Remove the appliance doors and the appliance drawer.
- ▶ To prevent children from climbing in, leave shelves and containers in the appliance.
- ▶ Keep children away from the discarded appliance.

WARNING

If the tubes are damaged, flammable refrigerant and harmful gases may escape and ignite.

- ▶ Do not damage the tubes of the refrigerant circuit or the insulation.

1. Unplug the appliance from the power supply.
2. Cut through the power cord.
3. Dispose of the appliance in an environmentally responsible manner.

Information about current disposal methods can be obtained from your specialist dealer or local authority.

19 Customer service

If you have any questions, are unable to eliminate an issue in the appliance yourself, or the appliance needs to be repaired, please contact our Customer Service.

We will work to find an appropriate solution for you thereby avoiding unnecessary visits by a service provider.

With any warranty repair, we will make sure your appliance is repaired by a trained authorized service provider using genuine replacement parts. We use only genuine replacement parts for all repairs.

Detailed information on the warranty period and terms of warranty can be found in the Statement of Limited Product Warranty, from your retailer, or on our website.

If you contact the Customer Service, you will require the model number (E-Nr.) and the production number (FD) of your appliance.

USA:

1-800-944-2904

www.bosch-home.com/us/owner-support/get-support

www.bosch-home.com/us/shop

CA:

1-800-944-2904

www.bosch-home.ca/en/service/get-support

www.bosch-home.ca/en/service/cleaners-and-accessories

For assistance with connecting to Home Connect™, you can also view instructions here:

www.home-connect.com/us/en/help-support/set-up

19.1 Model number (E-Nr.) and production number (FD)

You can find the model number (E-Nr.) and the production number (FD) on the appliance's rating plate.

→ "Appliance", Fig. **1/13**, Page 9

Making a note of your appliance's details and the Customer Service telephone number will enable you to find them again quickly.

20 Technical specifications

Refrigerant, cubic capacity and further technical specifications can be found on the rating label.

→ "Appliance", Fig. **1/13**, Page 9

Table des matières

1 Sécurité.....	32	8.4 Mode économie d'énergie.....	43
1.1 Définitions des termes de sécurité	32	8.5 Mode Fraîcheur	44
1.2 Indications générales	32	8.6 Éclairage intérieur.....	44
1.3 Conformité d'utilisation.....	32	8.7 Mode Sabbat	44
1.4 Restrictions au cercle d'utilisateurs	32	8.8 Notification du changement de filtre	44
1.5 Transport sûr.....	32	8.9 Statut de changement de filtre	44
1.6 Installation sûre.....	32	9 Alarme	44
1.7 Utilisation sûre	33	9.1 Alarme de porte	44
1.8 Appareil endommagé	34	9.2 Alarme de température	45
1.9 Mises en garde conformément à la proposition 65 de l'État de Californie	34	10 Home Connect™	45
2 Prévenir les bris matériels	35	10.1 Connecter l'appareil au réseau domestique WLAN (Wi-Fi) avec la fonction WPS	45
3 Protection de l'environnement et économies	35	10.2 Connecter l'appareil au réseau domestique WLAN (Wi-Fi) sans la fonction WPS	46
3.1 Mise au rebut de l'emballage	35	10.3 Connecter l'appareil à l'appli Home Connect™	46
3.2 Économiser de l'énergie.....	35	10.4 Contrôler l'intensité du signal	46
4 Installation et branchement	35	10.5 Installer une mise à jour du logiciel Home Connect	46
4.1 Contenu de livraison	35	10.6 Réinitialisez les réglages Home Connect™	47
4.2 Critères pour le lieu d'installation.....	36	10.7 Diagnostic à distance.....	47
4.3 Monter l'appareil.....	36	10.8 Protection des données	47
4.4 Préparer l'appareil pour la première utilisation	36	11 Compartiment réfrigération	47
4.5 Brancher l'appareil au raccordement d'eau potable	36	11.1 Conseils pour ranger des produits alimentaires dans le compartiment réfrigération.....	47
4.6 Raccordement électrique de l'appareil	36	11.2 Zones froides dans le compartiment réfrigération....	47
5 Description de l'appareil	37	12 Compartiment fraîcheur	47
5.1 Appareil.....	37	12.1 Recommandations de paliers dans le compartiment fraîcheur	48
5.2 Bandeau de commande	38	13 Compartiment congélation	48
5.3 Bandeau de commande (sous-menu)	39	13.1 Conseils pour ranger des aliments dans le compartiment congélation.....	48
5.4 Bandeau de commande (compartiment fraîcheur) ...	40	13.2 Conseils pour congeler des aliments frais.....	48
6 Équipement	40	13.3 Méthodes de décongélation pour aliments congelés	48
6.1 Clayette.....	40	14 Système hydraulique.....	48
6.2 Rail d'équipement	40	14.1 Filtre à eau.....	48
6.3 Clayette fixe	41	14.2 Distributeur d'eau.....	49
6.4 Bac tiroir.....	41	14.3 Distributeur de glaçons	49
6.5 Bac fraîcheur.....	41	15 Dégivrer	50
6.6 Séparateur de bac	41	15.1 Dégivrer le compartiment réfrigération	50
6.7 Bac à aliments congelés plat.....	42	15.2 Dégivrer le compartiment fraîcheur	50
6.8 Bac tiroir à aliments congelés	42	15.3 Dégivrer le compartiment congélation.....	50
6.9 Bac de support pour aliments congelés.....	42	16 Nettoyage et entretien	50
6.10 Compartiment à beurre et à fromage	42	16.1 Préparer l'appareil pour le nettoyage	50
6.11 Compartiment de contre-porte	42	16.2 Nettoyer l'appareil	50
6.12 Réserve à glaçons	42	16.3 Retirer les pièces d'équipement.....	51
6.13 Accessoires	42	16.4 Démonter les pièces de l'appareil	53
7 Opération de base.....	42	17 Dépannage	56
7.1 Mettre l'appareil sous tension.....	42	18 Entreposage et mise au rebut.....	58
7.2 Remarques concernant le fonctionnement de l'appareil	42	18.1 Mettre l'appareil hors service	58
7.3 Éteindre l'appareil	42	18.2 Éliminer un appareil usagé	59
7.4 Régler l'unité de température	42		
7.5 Régler la température	42		
7.6 Paliers du compartiment fraîcheur.....	43		
8 Fonctions additionnelles	43		
8.1 Super-réfrigération	43		
8.2 Super-congélation.....	43		
8.3 Mode Vacances	43		

19 Service à la clientèle	59
19.1 Numéro de modèle (E-Nr.) et numéro de fabrication (FD)	59
20 Données techniques	59



IMPORTANTES CONSIGNES DE SÉCURITÉ

LIRE ET CONSERVER CES INSTRUCTIONS

Respectez les consignes de sécurité suivantes.

1.1 Définitions des termes de sécurité

Vous trouverez ici des explications sur les mots de signalisation de sécurité utilisés dans ce manuel.

AVERTISSEMENT

Signale un risque de mort ou de blessure grave si l'avertissement n'est pas respecté.

MISE EN GARDE

Signale un risque de blessures mineures ou modérées si l'avertissement n'est pas respecté.

AVIS :

Ceci indique que la non-conformité à cet avis de sécurité peut entraîner des dégâts matériels ou endommager l'appareil.

Remarque : Ceci vous signale des informations et/ou indications importantes.

1.2 Indications générales

- Lisez attentivement cette notice.
- Veuillez conserver la notice et les renseignements sur le produit en vue d'une réutilisation ultérieure ou pour un futur nouveau propriétaire.
- Ne branchez pas l'appareil si ce dernier a été endommagé durant le transport.

1.3 Conformité d'utilisation

Utilisez l'appareil uniquement :

- pour réfrigérer et congeler des aliments, pour préparer de la glace et pour distribuer de l'eau.
- dans un domicile privé et dans une pièce fermée de l'environnement domestique.
- à une hauteur maximale de 13,100 ft (4000 m) au-dessus du niveau de la mer.

1.4 Restrictions au cercle d'utilisateurs

Cet appareil n'est pas destiné à être utilisé par des personnes (y compris des enfants) présentant des capacités physiques, sensorielles ou mentales réduites, à moins qu'elles n'aient été informées de la manière d'utiliser l'appareil par une personne responsable de leur sécurité.

Ne permettez jamais aux enfants de jouer avec l'appareil.

Le nettoyage de l'appareil et l'entretien par l'utilisateur sont des activités que les enfants ne peuvent pas effectuer sans surveillance.

1.5 Transport sûr

AVERTISSEMENT

Il peut être risqué de soulever l'appareil en raison de son poids élevé.

- ▶ Soulevez l'appareil à deux personnes.

1.6 Installation sûre

AVERTISSEMENT

Les installations non conformes sont dangereuses.

- ▶ Observer impérativement les indications figurant sur la plaque signalétique lors du raccordement et de l'utilisation de l'appareil.
- ▶ Brancher l'appareil uniquement à l'aide d'une fiche dûment installée avec mise à la terre dans une prise secteur à courant alternatif.
- ▶ Le système à conducteur de protection de l'installation électrique de la maison doit être installé correctement.
- ▶ Ne jamais alimenter l'appareil par l'intermédiaire d'un appareil de commutation externe, par ex. une minuterie ou une télécommande.
- ▶ Si l'appareil est encastré, la fiche du cordon d'alimentation secteur doit être librement accessible ou, si un accès libre est impossible, un dispositif de sectionnement tous pôles doit être installé dans l'installation électrique fixe, conformément aux réglementations d'installation.
- ▶ Veillez à ne pas coincer ou endommager le câble d'alimentation en posant l'appareil.

Le cordon d'alimentation pose un danger si sa gaine de protection est endommagée.

- ▶ Ne mettez jamais en contact le cordon d'alimentation avec des sources de chaleur.

AVERTISSEMENT

Si les orifices de ventilation de l'appareil sont fermés, un mélange gaz-air inflammable peut se produire si le circuit de réfrigération fuit.

- ▶ Ne fermez pas les orifices de ventilation dans le boîtier de l'appareil ou dans le boîtier d'installation.



IMPORTANTES CONSIGNES DE SÉCURITÉ

LIRE ET CONSERVER CES INSTRUCTIONS

AVERTISSEMENT

Il est dangereux d'utiliser un cordon d'alimentation rallongé ou un adaptateur non autorisé.

- ▶ N'utilisez pas de rallonge ni de bloc multiprise.
- ▶ Si le cordon d'alimentation est trop court, contactez le service à la clientèle.
- ▶ Utilisez uniquement les adaptateurs autorisés par le fabricant.

Les blocs multiprises ou blocs secteur mobiles peuvent surchauffer et provoquer un incendie.

- ▶ Ne placez pas les blocs multiprises ou blocs secteur mobiles à l'arrière des appareils.

1.7 Utilisation sûre

AVERTISSEMENT

L'humidité qui pénètre peut occasionner une électrocution.

- ▶ Utiliser l'appareil uniquement dans des pièces fermées.
- ▶ Ne jamais exposer l'appareil à une forte chaleur ou humidité.
- ▶ N'utilisez pas de nettoyeur haute pression ou de nettoyer à vapeur pour nettoyer l'appareil.

AVERTISSEMENT

Les enfants peuvent se passer le matériel d'emballage par-dessus la tête, s'y enrouler et s'y étouffer.

- ▶ Gardez le matériel d'emballage à l'écart des enfants.
- ▶ Ne permettez jamais aux enfants de jouer avec le matériel d'emballage.

Les enfants risquent d'inhaler ou d'avaler des petits morceaux et s'étouffer.

- ▶ Gardez les petits morceaux à l'écart des enfants.
- ▶ Ne permettez jamais aux enfants de jouer avec les petits morceaux.

AVERTISSEMENT

Des équipements mécaniques, par exemple des objets tranchants ou pointus, ou d'autres produits peuvent endommager le circuit de réfrigération, du fluide frigorigène inflammable peut s'échapper et exploser.

- ▶ Pour accélérer le dégivrage, n'utilisez pas d'autres équipements mécaniques ou d'autres produits que ceux recommandés par le fabricant.

Des produits contenant des gaz propulseurs inflammables et des matières explosives peuvent exploser, par ex. bombes aérosols.

- ▶ Ne stockez pas de produits contenant des gaz propulseurs inflammables et des matières explosives dans l'appareil.

AVERTISSEMENT

Les appareils électriques à l'intérieur de l'appareil peuvent provoquer un incendie, par ex. appareils de chauffage ou fabriques de glace électriques.

- ▶ N'utilisez aucun appareil électrique à l'intérieur de l'appareil.

AVERTISSEMENT

Les récipients contenant des boissons gazeuses risquent d'éclater.

- ▶ Ne stockez jamais de récipient contenant des boissons gazeuses dans le compartiment fraîcheur à moins de 34 °F (1 °C).
- ▶ Ne stockez jamais de boissons gazeuses dans le compartiment congélation.

Lésions oculaires dues à la fuite de fluide frigorigène inflammable et de gaz nocifs.

- ▶ Veillez à ne pas endommager les tubulures du circuit frigorifique, ni l'isolant.

L'appareil peut basculer.

- ▶ Ne vous servez jamais du socle, des glissières ou des portes comme marchepieds et ne vous appuyez jamais dessus.

AVERTISSEMENT

Un contact avec les produits congelés et les surfaces froides peut entraîner des brûlures par le froid.

- ▶ Ne portez jamais des produits surgelés à la bouche immédiatement après les avoir sortis du compartiment congélation.
- ▶ Évitez tout contact prolongé de la peau avec les produits congelés, la glace et les surfaces métalliques présents dans le compartiment congélation.

MISE EN GARDE

Pour éviter toute contamination des produits alimentaires, respectez les instructions suivantes.

- ▶ L'ouverture prolongée de la porte peut entraîner une importante augmentation de la température dans les compartiments de l'appareil.



IMPORTANTES CONSIGNES DE SÉCURITÉ

LIRE ET CONSERVER CES INSTRUCTIONS

- ▶ Nettoyez régulièrement les surfaces qui peuvent entrer en contact avec des produits alimentaires et systèmes d'écoulement accessibles.
- ▶ Rincez le système hydraulique si aucune eau n'a été prélevée pendant 5 jours.
- ▶ Conservez la viande et le poisson crus dans des récipients appropriés dans le compartiment réfrigération de sorte qu'ils ne soient pas en contact avec d'autres aliments et qu'ils ne coulent pas dessus.
- ▶ Si le réfrigérateur/congélateur reste vide pendant une longue période, éteignez l'appareil, dégivrez-le, nettoyez-le et laissez la porte ouverte, afin d'éviter la formation de moisissures.

Les pièces métalliques ou d'aspect métallique de l'appareil peuvent contenir de l'aluminium. Si des aliments acides entrent en contact avec de l'aluminium, des ions d'aluminium peuvent être transférés dans les aliments.

- ▶ Ne consommez pas les aliments contaminés.

1.8 Appareil endommagé

AVERTISSEMENT

Un appareil endommagé ou un cordon d'alimentation secteur endommagé est dangereux.

- ▶ N'utilisez jamais un appareil endommagé.
- ▶ Ne jamais tirer sur le cordon d'alimentation secteur pour débrancher l'appareil du secteur. Toujours débrancher la fiche mâle du cordon d'alimentation secteur.
- ▶ Si l'appareil ou le cordon d'alimentation secteur est endommagé, débrancher immédiatement la fiche mâle du cordon d'alimentation secteur ou couper le fusible dans le boîtier à fusibles et fermer le robinet d'eau.
- ▶ Appelez le service après-vente. → *Page 59*

Les réparations non conformes sont dangereuses.

- ▶ Seules des pièces de rechange d'origine peuvent être utilisées pour réparer l'appareil.
- ▶ Si le cordon d'alimentation secteur de cet appareil est endommagé, il doit être remplacé par un cordon spécifique disponible auprès du fabricant ou de son service à la clientèle.

AVERTISSEMENT



En cas d'endommagement des tuyaux, du fluide frigorigène inflammable et des gaz nocifs peuvent s'échapper et s'enflammer.

- ▶ Éloignez l'appareil de toute flamme nue ou source d'inflammation.
- ▶ Aérez la pièce.
- ▶ Éteindre l'appareil. → *Page 42*
- ▶ Retirez la fiche du cordon d'alimentation secteur ou désactivez le fusible dans la boîte à fusibles.
- ▶ Appelez le service après-vente. → *Page 59*

1.9 Mises en garde conformément à la proposition 65 de l'État de Californie

Ce produit pourrait contenir un produit chimique reconnu par l'État de la Californie comme cancérigène ou ayant des effets nocifs sur la reproduction. Par conséquent, vous pourriez devoir apposer l'étiquette suivante sur l'emballage du produit comme requis par la Californie :

**STATE OF CALIFORNIA PROPOSITION 65 WARNING: /
AVERTISSEMENT ISSUE DE LA PROPOSITION 65
DE L'ÉTAT DE LA CALIFORNIE:**



**WARNING /
AVERTISSEMENT**

Cancer and Reproductive Harm / Cancer et dommages à la reproduction - www.P65Warnings.ca.gov.

2 Prévenir les bris matériels

AVIS :

Le poids élevé de l'appareil risque d'endommager le sol lors de son déplacement.

- ▶ Utilisez un diable et protégez le sol lorsque vous déplacez l'appareil.

Lorsque vous fermez la porte de l'appareil, un montant de porte déplié peut endommager l'appareil.

- ▶ Ne dépliez jamais le montant de porte manuellement.
- ▶ Lorsque le montant de porte est déplié, repliez-le avant de refermer la porte de l'appareil.

L'utilisation du socle, des glissières ou des portes de l'appareil comme surface d'assise ou comme marchepied peut endommager l'appareil.

- ▶ Ne vous servez jamais du socle, des glissières ou des portes comme marchepieds et ne vous appuyez jamais dessus.

Une pression de l'eau trop faible ou trop élevée peut gêner le fonctionnement de l'appareil.

- ▶ Assurez-vous que la pression d'eau au niveau de l'alimentation en eau est comprise entre 29 psi (200 kPa) minimum et 116 psi (800 kPa) maximum.
- ▶ Si la pression hydraulique excède la valeur maximale indiquée, une vanne de réduction de pression entre le raccord d'eau potable et la trousse de tuyaux de l'appareil doit être installée.

Les tuyaux d'eau modifiés ou endommagés peuvent provoquer des dégâts matériels ou endommager l'appareil.

- ▶ Veillez à ne jamais plier, écraser, modifier ou couper les tuyaux d'eau.
- ▶ Ne réutilisez jamais des tuyaux d'eau usagés.
- ▶ Ne tirez jamais sur le tuyau d'eau ou sur la paroi arrière de l'appareil.

En cas de salissures provenant d'huile ou de graisse, des pièces en matière plastique et les joints de porte peuvent devenir poreux.

- ▶ Veillez à ce que les pièces en matière plastique et les joints de porte soient exempts d'huile et de graisse.

Les pièces métalliques ou d'aspect métallique de l'appareil peuvent contenir de l'aluminium. L'aluminium réagit en contact avec les aliments acides.

- ▶ Ne stockez pas d'aliments non emballés dans l'appareil.

3 Protection de l'environnement et économies

3.1 Mise au rebut de l'emballage

Les matériaux d'emballage sont écologiques et recyclables.

- ▶ Veuillez éliminer les pièces détachées après les avoir triées par matières.

¹ selon l'équipement de l'appareil

² Pas dans tous les pays

3.2 Économiser de l'énergie

Si vous respectez les instructions suivantes, votre appareil consommera moins de courant.

Choisir le lieu d'installation

- Protégez l'appareil de la lumière directe du soleil.
- Installez l'appareil aussi loin que possible des radiateurs, des cuisinières et des autres sources de chaleur :
 - Respectez une distance de 1 1/4" (30 mm) par rapport aux cuisinières électriques ou à gaz.
 - Respectez une distance de 11 13/16" (300 mm) par rapport à un appareil de chauffage au fuel ou au charbon.
- Ne couvrez ou ne bloquez jamais les grilles de ventilation extérieures.

Économiser de l'énergie lors de l'utilisation

Remarque : L'agencement des pièces d'équipement n'a aucune influence sur la consommation d'énergie de l'appareil.

- N'ouvrez l'appareil que brièvement.
- Ne recouvrez et n'obstruez jamais les ouvertures de ventilation intérieures ni les grilles de ventilation extérieures.
- Transportez les produits alimentaires achetés dans un sac isotherme et rangez-les rapidement dans l'appareil.
- Attendez que les aliments et les boissons chaudes refroidissent avant de les ranger.
- Pour profiter du froid des produits congelés, placez les produits à décongeler dans le compartiment réfrigération.
- Laissez toujours un peu de place entre les produits alimentaires et la paroi arrière.
- N'ouvrez que brièvement le compartiment congélation et fermez-le avec précaution.
- Aspirez la poussière des grilles de ventilation extérieures.

4 Installation et branchement

4.1 Contenu de livraison

Après avoir déballé le produit, inspectez toutes les pièces pour détecter d'éventuels dégâts dus au transport et vous assurer de l'intégralité de la livraison.

En cas de réclamation, veuillez vous adresser à votre revendeur ou auprès de notre service à la clientèle

→ Page 59.

La livraison comprend :

- Appareil indépendant
- Des équipements et accessoires¹
- Matériel de montage
- Notice de montage
- Mode d'emploi
- Déclaration de garantie limitée du produit
- Le document annexe de la garantie²
- Le label énergétique

- Des informations relatives à la consommation d'énergie et aux bruits
- Des informations sur Home Connect™

4.2 Critères pour le lieu d'installation

AVERTISSEMENT

Si l'appareil est installé dans une pièce trop petite, une éventuelle fuite du circuit de réfrigération pourrait donner lieu à un mélange de gaz et d'air inflammable.

- ▶ Placez l'appareil uniquement dans une pièce dont le volume minimum est de 35 ft³ (1 m³) par 8 g de fluide frigorigène. La quantité de fluide frigorigène est indiquée sur la plaque signalétique. → "Appareil", Fig.

 13, Page 38

Selon le modèle, le poids de l'appareil départ usine peut atteindre 345 lbs (155 kg).

Le plancher doit être assez stable pour supporter le poids de l'appareil.

4.3 Monter l'appareil

- ▶ Montez l'appareil selon les instructions de montage jointes.

4.4 Préparer l'appareil pour la première utilisation

1. Retirez le matériel d'informations.
2. Retirer les films protecteurs et les sécurités de transport, par ex. les bandes adhésives et le carton.
3. Nettoyez l'appareil pour la première fois. → Page 50

4.5 Brancher l'appareil au raccordement d'eau potable

Exigence

- Une vanne d'arrêt est installée au niveau du raccordement d'eau et est librement accessible après l'installation de l'appareil.
 - Le raccordement d'eau est testé et la qualité de l'eau est potable.
1. Rincez soigneusement le raccordement d'eau potable jusqu'à ce qu'il n'y ait plus de dépôts ou de turbidité dans l'eau potable.
En cas de dépôts permanents ou de turbidité dans l'eau potable, installez un système de filtre à eau externe.
 2. Installez le raccordement d'eau potable selon les instructions de montage jointes.

4.6 Raccordement électrique de l'appareil

1. Branchez la fiche mâle du cordon d'alimentation dans l'appareil.
2. Branchez la fiche secteur du cordon d'alimentation de l'appareil dans une prise murale à proximité de l'appareil.

Les données de raccordement de l'appareil sont indiquées sur la plaque signalétique. → "Appareil", Fig.

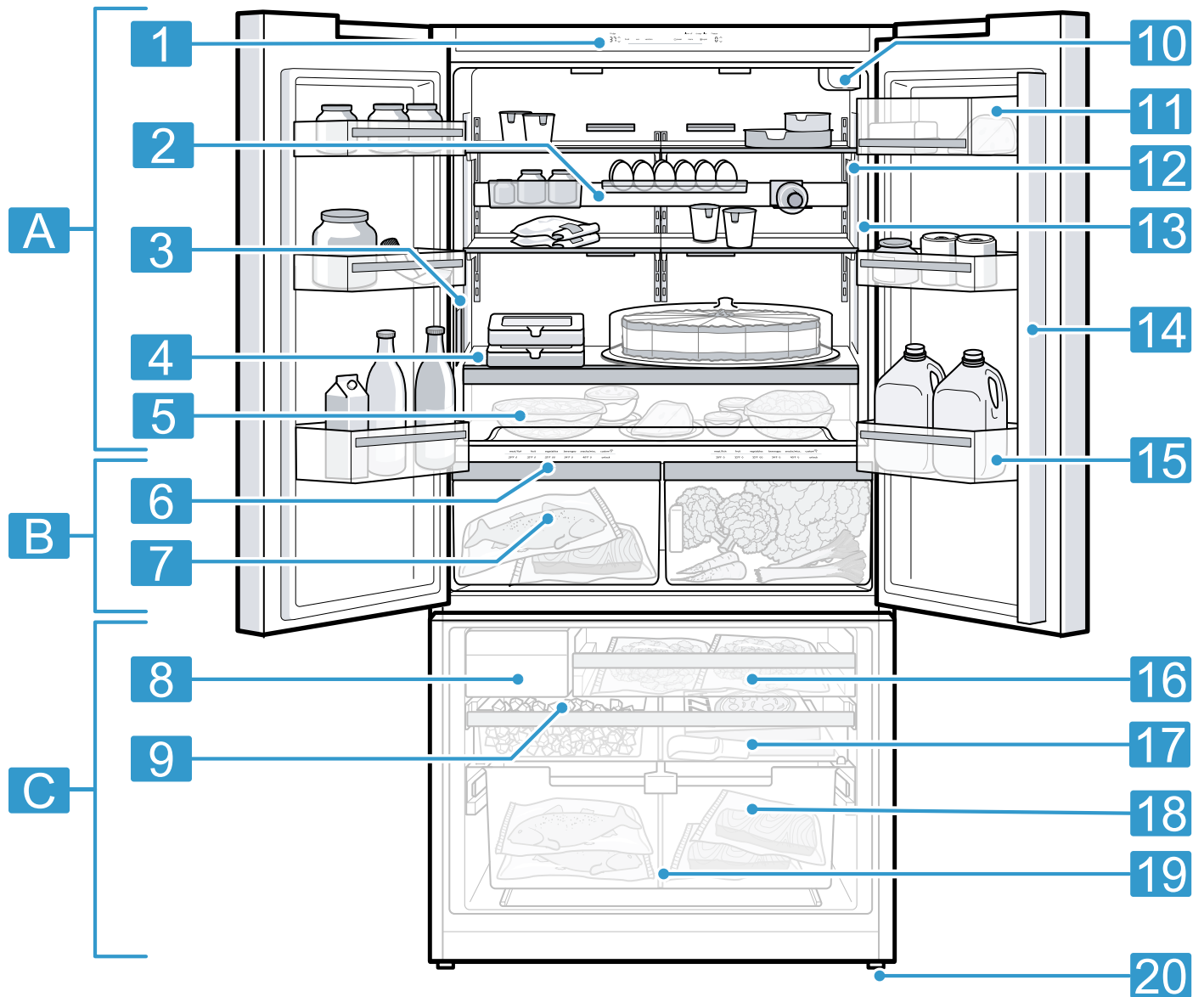
 13, Page 38

3. S'assurer que la fiche est correctement insérée.
- ✓ L'appareil est maintenant prêt à fonctionner.

5 Description de l'appareil

5.1 Appareil

Cette section contient une vue d'ensemble des composants de votre appareil.



1

A Compartiment réfrigération → Page 47

B Compartiment fraîcheur → Page 47

C Compartiment congélation → Page 48

1 Panneau de configuration → Page 38

2 Rail d'équipement → Page 40

3 Distributeur d'eau → Page 49

4 Clayette fixe → Page 41

5 Bac tiroir → Page 41

6 Panneau de configuration (compartiment fraîcheur) → Page 40

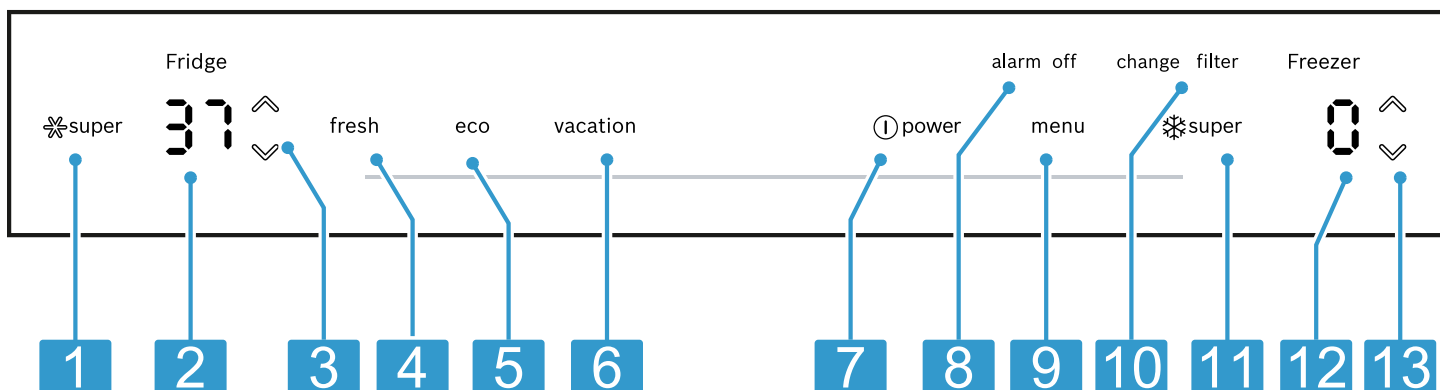
7	Bac fraîcheur
8	Distributeur de glaçons
9	Réserve à glaçons → Page 42
10	Filtre à eau → Page 48
11	Compartiment à beurre et à fromage → Page 42
12	Éclairage intérieur
13	Plaque signalétique → Page 59
14	Montant de porte avec protection anti-condensation → Page 35

15	Compartiment de contre-porte pour grandes bouteilles → Page 42
16	Bac tiroir à aliments congelés → Page 42
17	Bac à aliments congelés plat → Page 42
18	Bac de support pour aliments congelés → Page 42
19	Séparateur de bac → Page 41
20	Pied à vis

Remarque : Selon l'équipement et la taille, des divergences sont possibles entre votre appareil et les illustrations.

5.2 Bandeau de commande

Le bandeau de commande vous permet de configurer toutes les fonctions de votre appareil et d'obtenir des informations sur son état de fonctionnement.

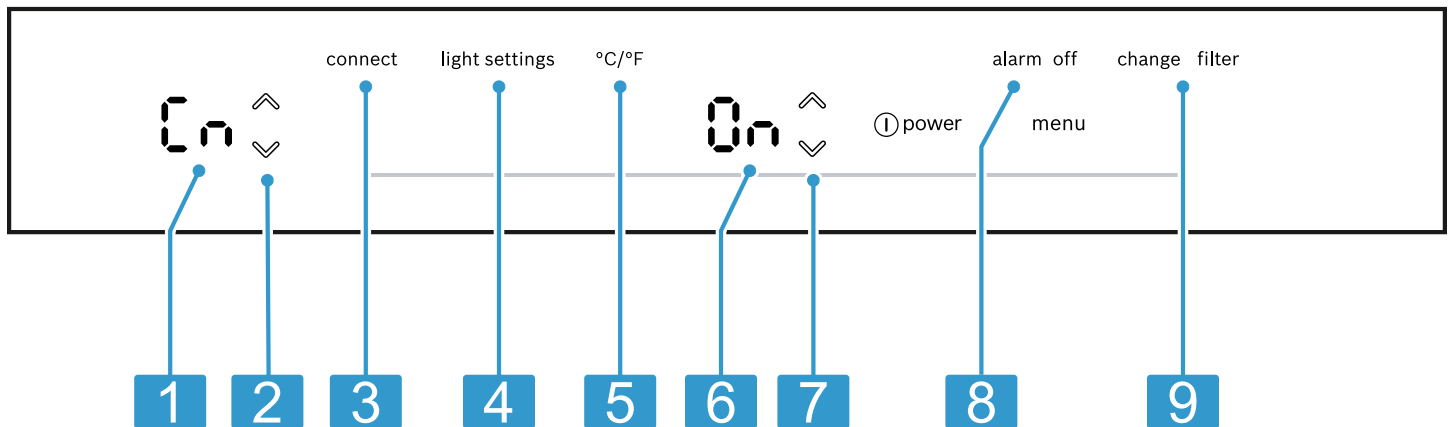


2	
1	❄️super active ou désactive la fonction Super-réfrigération.
2	Affiche la température réglée du compartiment réfrigération.
3	∨/∧ (compartiment réfrigération) règle la température du compartiment réfrigération.
4	fresh active ou désactive le mode Fraîcheur.
5	eco allume ou éteint le mode Économie d'énergie.
6	vacation active ou désactive le mode Vacances.
7	Ⓜ️power allume ou éteint l'appareil.

8	alarm off éteint l'alarme.
9	menu ouvre et ferme le menu.
10	change filter s'allume lorsque le filtre doit être remplacé.
11	❄️super active ou désactive la fonction Super-congélation.
12	Affiche la température réglée du compartiment congélation en °C.
13	∨/∧ (compartiment congélation) règle la température du compartiment congélation.

5.3 Bandeau de commande (sous-menu)

Le sous-menu vous permet d'effectuer d'autres réglages.



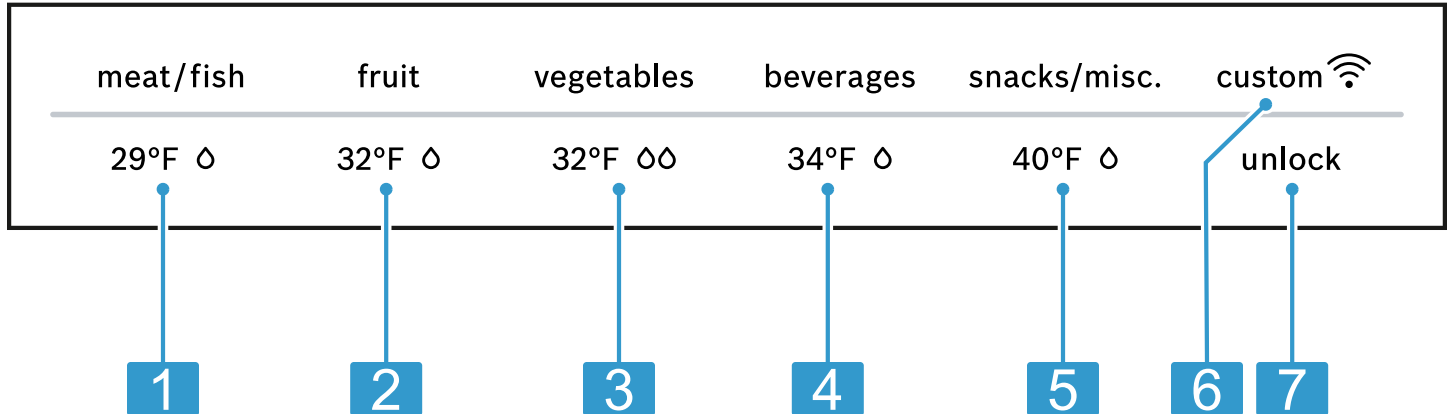
3

- | | |
|----------|-----------------------------------------------------------|
| 1 | Indique le sous-menu sélectionné. |
| 2 | ↙/↘ (sous-menu) permet de naviguer dans le sous-menu. |
| 3 | connect ouvre le menu de réglage de Home Connect. |
| 4 | light settings ouvre le menu de réglage de l'éclairage. |
| 5 | °C/°F ouvre le menu pour modifier l'unité de température. |


- | | |
|----------|-------------------------------------------------------------|
| 6 | Indique le réglage du sous-menu. |
| 7 | ↙/↘ (réglage du sous-menu) modifie le réglage du sous-menu. |
| 8 | alarm off ouvre le menu de réglage de l'alarme de porte. |
| 9 | change filter ouvre le menu de réglage du filtre. |

5.4 Bandeau de commande (compartiment fraîcheur)

Le bandeau de commande du compartiment fraîcheur vous permet de régler la température et l'humidité dans le compartiment fraîcheur.



4

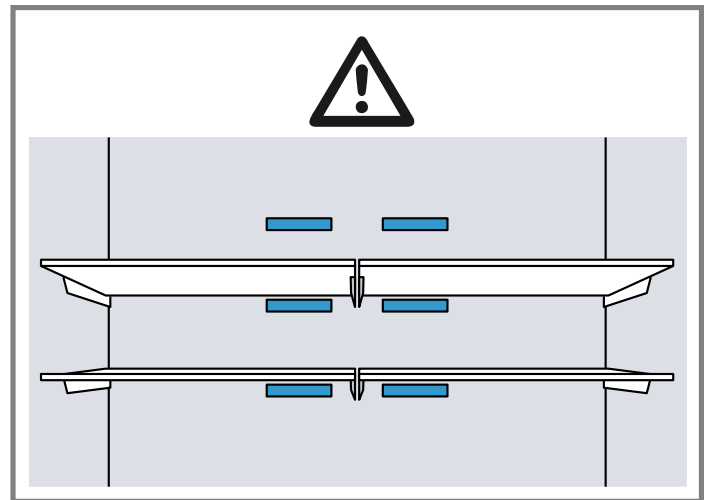
- 1 29°F ◊ ajuste le réglage de stockage du compartiment fraîcheur pour viandes et poissons.
- 2 32°F ◊ ajuste le réglage de stockage du compartiment fraîcheur pour fruits.
- 3 32°F ◊◊ ajuste le réglage de stockage du compartiment fraîcheur pour légumes.
- 4 34°F ◊ ajuste le réglage de stockage du compartiment fraîcheur pour boissons.
- 5 40°F ◊ ajuste le réglage de stockage du compartiment fraîcheur pour en-cas.
- 6 custom  s'allume lorsque des réglages définis par l'utilisateur sont réglés via l'appli Home Connect™. Vous trouverez de plus amples informations dans l'appli Home Connect™.
- 7 unlock désactive le verrouillage des touches du bandeau de commande (compartiment fraîcheur).

Pour varier la position de la clayette selon les besoins, vous pouvez retirer la clayette et la replacer à un autre endroit.

→ "Retirer la clayette", Page 51

Remarque

Ne couvrez pas les ouvertures de ventilation intérieures.



6 Équipement

L'équipement de votre appareil dépend de son modèle.

6.1 Clayette

AVIS :

Les crochets de la clayette peuvent rayer la paroi arrière du compartiment réfrigération lorsqu'elle est accrochée en biais.

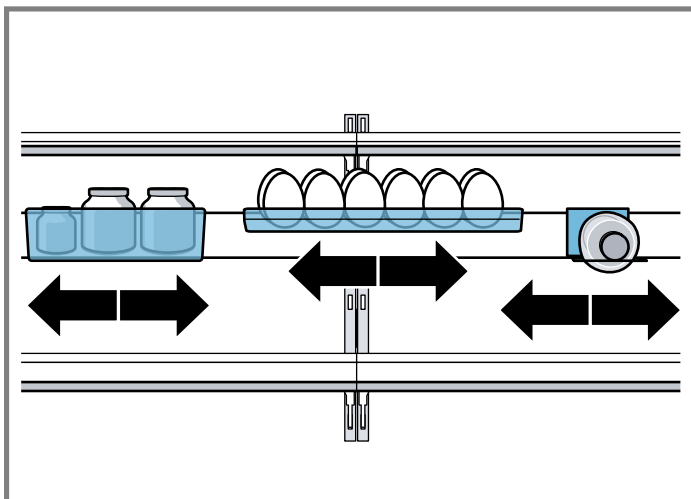
- ▶ Assurez-vous que la clayette est à l'horizontale et que les crochets sont bien enclenchés.

6.2 Rail d'équipement

Le rail d'équipement offre un espace de rangement supplémentaire dans le compartiment réfrigération sur les pièces d'équipement :

- Rangez une bouteille de manière sûre sur le support-crochet pour bouteilles.
- Rangez des bocaux dans le bac.
- Rangez une boîte à œufs sur la clayette.

Vous pouvez positionner les pièces d'équipement en un point quelconque le long du rail d'équipement.



AVIS :

Les crochets du rail d'équipement peuvent rayer la paroi arrière du compartiment réfrigération lorsqu'il est accroché en biais.

- ▶ Assurez-vous que le rail d'équipement est à l'horizontale et que les crochets sont bien enclenchés.

Vous pouvez retirer le rail d'équipement et le replacer à un autre endroit.

→ "Retirer le rail d'équipement", Page 51

Conseil : Placez le rail d'équipement au milieu du compartiment réfrigération.

6.3 Clayette fixe

Placez toujours la clayette fixe dans la position indiquée.

6.4 Bac tiroir

Rangez les grandes assiettes ou récipients avec les aliments transformés couverts dans le bac tiroir.

6.5 Bac fraîcheur

Pour régler automatiquement les bonnes humidité et température de vos aliments dans le bac fraîcheur, utilisez les différents réglages de paliers du compartiment fraîcheur.

Conservez les fruits et légumes frais non emballés dans le bac fraîcheur.

Conservez les fruits et légumes coupés recouverts ou dans un emballage hermétique.

Pour des raisons d'hygiène, ne stockez pas les fruits et légumes en contact avec de la viande et du poisson dans un bac fraîcheur.

Afin que le couvercle du bac fraîcheur ne se soulève pas, ne stockez pas les aliments plus haut que le bord du bac fraîcheur.

Suivant la quantité et la nature des produits stockés, de l'eau peu se condenser dans le bac fraîcheur.

Essuyez l'eau condensée avec un chiffon sec.

Afin de conserver leur qualité et leurs arômes, rangez les fruits et légumes sensibles au froid en dehors de l'appareil à des températures comprises entre 46 °F (8 °C) à 54 °F (12 °C) environ, par ex. les ananas, les bananes, les agrumes, les concombres, les courgettes, les poivrons, les tomates et les pommes de terre.

6.6 Séparateur de bac

⚠ AVERTISSEMENT

Les enfants peuvent s'introduire dans l'appareil et s'étouffer.

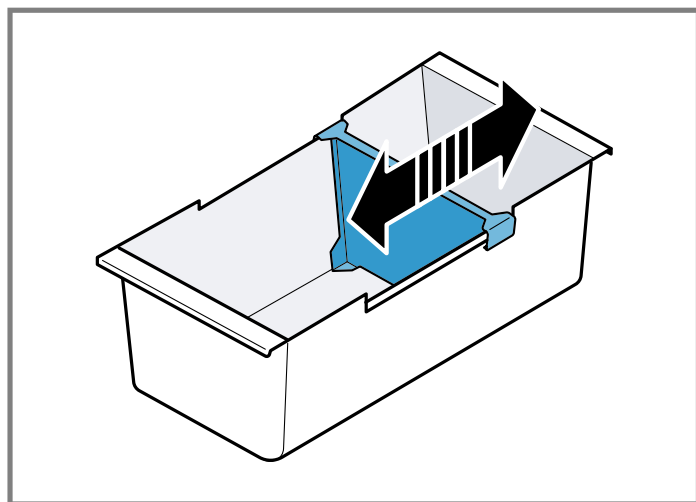
- ▶ Ne retirez jamais le séparateur de bac de support pour aliments congelés.

AVIS :

Le séparateur de bac de support pour aliments congelés est endommagé lors du retrait.

- ▶ Ne retirez jamais le séparateur de bac de support pour aliments congelés.

Pour varier la répartition du bac de support pour aliments congelés, vous pouvez déplacer le séparateur de récipient.



6.7 Bac à aliments congelés plat

Rangez les aliments congelés plats, la réserve à glaçons et la pelle à glace dans le bac à aliments congelés plat.

6.8 Bac tiroir à aliments congelés

Pour obtenir une meilleure vue d'ensemble et pour retirer plus rapidement les aliments congelés, tirez le bac tiroir à aliments congelés.

6.9 Bac de support pour aliments congelés

Conservez les aliments congelés volumineux dans le bac de support pour aliments congelés.

6.10 Compartiment à beurre et à fromage

Rangez le beurre et le fromage à pâte dure dans le casier à beurre et à fromage.

6.11 Compartiment de contre-porte

Pour varier la position du compartiment de contre-porte selon les besoins, vous pouvez le retirer et le replacer à un autre endroit.

→ "Retirer le compartiment de contre-porte", Page 51

6.12 Réserve à glaçons

Si la production de glaçons est activée, des glaçons sont automatiquement entreposés dans la réserve à glaçons.

AVIS :

Le distributeur de glaçons peut être bloqué ou endommagé par des aliments ou des objets stockés dans le bac à glaçons.

- ▶ Ne stockez jamais d'aliments ou d'objets dans le bac à glaçons.

6.13 Accessoires

Utilisez uniquement des accessoires d'origine. Ils ont été spécialement conçus pour votre appareil. L'accessoire de votre appareil dépend du modèle.

Absorbeur d'éthylène

Des consignes de sécurité importantes et des informations sur le montage et l'utilisation figurent dans les instructions de montage et d'utilisation de l'absorbeur d'éthylène. L'absorbeur d'éthylène ralentit la maturation des fruits et légumes sensibles à l'éthylène afin de préserver leur fraîcheur plus longtemps.

Poser l'absorbeur d'éthylène

- ▶ Installez l'absorbeur d'éthylène conformément aux instructions de montage et d'installation de ce dernier.

Utiliser le kit de recharge

1. Installez les composants du kit de recharge conformément aux instructions de montage et d'installation de l'absorbeur d'éthylène.
2. Remplacez les sacs et le minuteur tous les 6 mois après l'activation.

Remarque : Des kits de recharge composés de sacs et d'une minuterie sont disponibles auprès de notre service après-vente, de votre revendeur ou sur notre site Web.

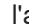
Pelle à glace

Utilisez la palette à glace pour prélever une portion des glaçons.

7 Opération de base

7.1 Mettre l'appareil sous tension

1. Raccordez l'appareil électriquement. → Page 36


Remarque : Si l'appareil a été préalablement éteint à l'aide du bandeau de commande, appuyez sur  power.

- ✓ L'appareil commence à réfrigérer.
- 2. Éteignez l'alarme sonore avec alarm off.
- ✓ alarm off s'éteint dès que la température réglée est atteinte.
- 3. Réglez la température souhaitée. → Page 42

7.2 Remarques concernant le fonctionnement de l'appareil



- Lorsque vous avez allumé l'appareil, il peut s'écouler jusqu'à plusieurs heures avant que la température réglée ne soit atteinte. Ne rangez aucun aliment avant que la température réglée ne soit atteinte.
- Les surfaces frontales et les parois latérales du boîtier sont légèrement chauffées temporairement. Cela permet d'éviter la condensation.
- Lorsque vous refermez la porte, une dépression peut se produire. La porte est alors difficile à rouvrir. Patientez quelques instants jusqu'à ce que la dépression soit compensée.

7.3 Éteindre l'appareil

- ▶ Appuyez sur  power.



7.4 Régler l'unité de température

Vous avez le choix entre les unités de température °F et °C.

1. Appuyez sur menu.
2. Appuyez sur °C/°F.
3. Appuyez sur  /  (réglage du sous-menu) jusqu'à ce que l'affichage des réglages du sous-menu indique F ou C.
4. Appuyez sur menu.


7.5 Régler la température

Régler la température du compartiment congélation

- ▶ Appuyer à plusieurs reprises sur  /  (compartiment réfrigération) jusqu'à ce que l'affichage de la température (compartiment réfrigération) indique la température souhaitée.

La température recommandée dans le compartiment réfrigération est de 37 °F (3 °C).

Régler la température du compartiment congélation

- ▶ Appuyez à plusieurs reprises sur  (compartiment congélation) jusqu'à ce que l'affichage de la température (compartiment congélation) indique la température souhaitée.

La température recommandée dans le compartiment congélation est de 0 °F (-18 °C).

7.6 Paliers du compartiment fraîcheur

Vous pouvez régler la température et l'humidité des compartiments fraîcheur à l'aide de réglages de paliers prédéfinis.

Conseil : D'autres réglages sont disponibles dans l'appli Home Connect™.

Régler les paliers du compartiment fraîcheur

1. Appuyez sur l'un des champs tactiles du bandeau de commande (compartiment fraîcheur).
2. Appuyez sur **unlock** jusqu'à ce que le bandeau lumineux s'allume entièrement.
3. Appuyez sur le réglage de paliers souhaité.

8 Fonctions additionnelles



8.1 Super-réfrigération

Avec la fonction Super-réfrigération, le compartiment réfrigération refroidit au maximum.

Activez Super-réfrigération avant de ranger de grandes quantités d'aliments.


Remarque : Lorsque la fonction Super-réfrigération est activée, il est possible que l'appareil fonctionne plus bruyamment.

Activer la Super-réfrigération

- ▶ Appuyez sur .
- ✓  s'allume.

Remarque : Après environ 6 heures, l'appareil passe en mode de fonctionnement normal.

Désactivez la Super-réfrigération

- ▶ Appuyez sur .
- ✓ La température réglée auparavant s'affiche.

8.2 Super-congélation



Avec la fonction Super-congélation, le compartiment congélation refroidit au maximum.

Activez la fonction Super-congélation 1 à 2 heures avant de ranger une quantité d'aliments à partir de 2 kg (4,4 lb) dans le compartiment congélation.

Utilisez Super-congélation pour accélérer la production de glaçons.


Remarque : Lorsque la fonction Super-congélation est activée, il est possible que l'appareil fonctionne plus bruyamment.

Allumez la Super-congélation

- ▶ Appuyez sur .
- ✓  s'allume.

Remarque : Après environ 8 heures, l'appareil passe en mode de fonctionnement normal.

Désactiver la Super-congélation

- ▶ Appuyez sur .
- ✓ La température réglée auparavant s'affiche.

8.3 Mode Vacances

Si vous vous absentez pendant une longue période, vous pouvez activer le mode Vacances économisant l'énergie sur l'appareil.

⚠ MISE EN GARDE

Lorsque le mode Vacances est activé, le compartiment réfrigération se réchauffe. L'augmentation de la température peut entraîner la multiplication des bactéries et l'altération des aliments.

- ▶ Quand le mode Vacances est activé, ne stockez pas d'aliments dans le compartiment réfrigération.

L'appareil adapte automatiquement les températures.

Compartiment réfrigération	43 °F (6 °C)
Compartiment fraîcheur	40 °F (4 °C)
Compartiment congélation	Température inchangée

Remarque : En mode Vacances, la production de glaçons et la distribution d'eau sont désactivées.

Activer le mode Vacances

- ▶ Appuyez sur vacation.
- ✓ vacation s'allume.

Désactiver le mode Vacances

- ▶ Appuyez sur vacation.
- ✓ La température réglée auparavant s'affiche.

8.4 Mode économie d'énergie

Le mode Économie d'énergie permet de commuter en mode de fonctionnement économe en énergie.

L'appareil adapte automatiquement les températures.

Compartiment réfrigération	43 °F (6 °C)
Compartiment fraîcheur	32 °F (0 °C)
Compartiment congélation	6 °F (-14 °C)

Activer le mode Économie d'énergie

- ▶ Appuyez sur eco.
- ✓ eco s'allume.

Désactiver le mode Économie d'énergie

- ▶ Appuyez sur eco.
- ✓ La température réglée auparavant s'affiche.

8.5 Mode Fraîcheur

Pour conserver les aliments frais plus longtemps, vous pouvez activer le mode fraîcheur sur l'appareil. L'appareil adapte automatiquement les températures.

Compartiment réfrigération	36 °F (2 °C)
Compartiment fraîcheur	32 °F (0 °C)
Compartiment congélation	Température inchangée

Activer le mode fraîcheur

- ▶ Appuyez sur fresh.
- ✓ fresh s'allume.

Désactiver le mode fraîcheur



- ▶ Appuyez sur fresh.
- ✓ La température réglée auparavant s'affiche.

8.6 Éclairage intérieur

Vous pouvez éteindre l'éclairage intérieur ou régler la luminosité.

0	Éclairage intérieur éteint
I	Luminosité minimale
5	Luminosité maximale

Régler l'éclairage intérieur

1. Appuyez sur menu.
2. Appuyez sur light settings.
3. Appuyez sur  /  (réglage du sous-menu) jusqu'à ce que le réglage souhaité apparaisse dans l'affichage des réglages du sous-menu.
4. Appuyez sur menu.

8.7 Mode Sabbat

En mode Sabbat, toutes les fonctions non essentielles sont désactivées pour vous permettre d'utiliser l'appareil le jour du sabbat.

En mode Sabbat, les fonctions suivantes sont désactivées :

- Super-réfrigération
- Super-congélation
- Alarme
- Distributeur d'eau
- Production de glaçons
- Éclairage intérieur
- Signaux sonores
- Messages sur le bandeau de commande

Remarque : En mode Sabbat, l'éclairage du bandeau de commande est moins lumineux.

Activer le mode sabbat

- ▶ Maintenez enfoncé vacation pendant 10 secondes jusqu'à l'émission d'un signal sonore.
- ✓ alarm s'allume.

Remarque : Au bout d'environ 80 heures, l'appareil revient en fonctionnement normal.

Désactiver le mode Sabbat

- ▶ Maintenez enfoncé alarm pendant 5 secondes jusqu'à l'émission d'un signal sonore.

8.8 Notification du changement de filtre

La notification de changement de filtre s'active tous les 6 mois. change filter s'allume.

Remarque : En cas d'augmentation de la consommation d'eau, la notification de changement de filtre s'enclenche plus tôt.

Désactiver la notification de changement de filtre


1. Remplacez le filtre à eau.
 - Le capuchon bypass ne doit pas être changé.
2. Maintenez change filter appuyé pendant 3 secondes.
 - ✓ change filter s'éteint.
 - ✓ Le statut de changement du filtre est réinitialisé.

8.9 Statut de changement de filtre

Si vous remplacez le filtre avant la notification de changement de filtre, réinitialisez le statut de changement de filtre.

I	Mesure du statut de changement de filtre en cours
0	Réinitialiser le statut de changement de filtre

Réinitialiser le statut de changement de filtre

1. Appuyez sur menu.
2. Appuyez sur change filter.
 - ✓ L'affichage des réglages du sous-menu indique I.
3. Appuyez sur  (réglage du sous-menu).
 - ✓ L'affichage des réglages du sous-menu indique 0.
4. Appuyez sur menu.

9 Alarme

9.1 Alarme de porte

L'alarme de porte retentit lorsque la porte de l'appareil reste ouverte longtemps.

Désactiver l'alarme de porte

- ▶ Fermez la porte de l'appareil ou appuyez sur alarm off.
- ✓ L'alarme sonore est désactivée.
- ✓ alarm off s'éteint.


Alarme de porte sonore

Vous pouvez activer ou désactiver l'alarme de porte sonore.


0n	Alarme de porte sonore activée
0F	Alarme de porte sonore désactivée

Activer l'alarme de porte sonore

1. Appuyez sur menu.
2. Appuyez sur alarm off.

3. Appuyez sur  (réglage du sous-menu) jusqu'à ce que le réglage souhaité apparaisse dans l'affichage des réglages du sous-menu.
4. Appuyez sur menu.

Désactiver l'alarme de porte sonore

1. Appuyez sur menu.
2. Appuyez sur alarm off.
3. Appuyez sur  (réglage du sous-menu) jusqu'à ce que le réglage souhaité apparaisse dans l'affichage des réglages du sous-menu.
4. Appuyez sur menu.

9.2 Alarme de température

Si la température monte trop dans le compartiment congélation, l'alarme de température retentit.

MISE EN GARDE

- Lors de la décongélation, les bactéries peuvent se multiplier et les aliments congelés peuvent s'abîmer.
- ▶ Ne remettez pas à congeler des produits alimentaires partiellement ou entièrement décongelés.
 - ▶ Ne recongelez les aliments qu'après avoir les avoir fait cuire ou rôti.
 - ▶ N'utilisez plus la durée de conservation dans son intégralité.

L'alarme de température peut s'enclencher dans les cas suivants :

- L'appareil est mis en route.
Attendez que la température réglée soit atteinte avant de ranger les produits.
- Rangement de grandes quantités de produits alimentaires frais.
Activez Super-congélation avant de ranger de grandes quantités de nourriture.
- Porte du compartiment congélation restée trop longtemps ouverte.
Vérifiez si les produits surgelés ont été décongelés.

Éteindre l'alarme de température

- ▶ Appuyez sur alarm off.
- ✓ L'alarme sonore est désactivée.
- ✓ L'affichage de la température (compartiment congélation) indique brièvement la température la plus élevée qui a régné dans le compartiment congélation. Ensuite, l'affichage de la température (compartiment congélation) indique à nouveau la température réglée.
- ✓ À partir de ce moment-là, l'appareil détermine et enregistre à nouveau la température la plus élevée.

10 Home Connect™

Cet appareil peut être mis en réseau. Branchez votre appareil à un appareil mobile pour en effectuer la commande via l'application Home Connect™. Les services Home Connect™ ne sont pas proposés dans tous les pays. La disponibilité de la fonction Home Connect™ dépend de l'offre des services Home Connect™ dans votre pays. Vous trouverez de plus amples informations à ce sujet à l'adresse : www.home-connect.com.

Pour utiliser Home Connect™, configurez d'abord la connexion à votre réseau domestique WLAN (Wi-Fi¹) et à l'application Home Connect™.

Attendez au moins 2 minutes après la mise en marche de l'appareil, jusqu'à ce que l'initialisation interne de l'appareil soit achevée. Réglez ensuite d'abord Home Connect™.

- Brancher l'appareil au réseau domestique WLAN (Wi-Fi) avec la fonction WPS → *Page 45*
- Brancher l'appareil au réseau domestique WLAN (Wi-Fi) sans la fonction WPS → *Page 46*

L'application Home Connect™ vous guide tout au long du processus de connexion. Suivez les étapes prescrites par l'application Home Connect™ pour procéder aux réglages.

Conseils



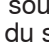


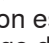
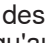
- Pour ce faire, observez les documents Home Connect™ fournis.
- Observez également les consignes dans l'application Home Connect™.

Remarques

- Observez les consignes de sécurité de la présente notice d'utilisation et assurez-vous qu'elles sont également respectées si vous utilisez l'appareil via l'application Home Connect™.
→ *"Sécurité", Page 32*
- Les commandes sur l'appareil même ont toujours priorité. Pendant ce temps, la commande via l'application Home Connect™ n'est pas possible.

10.1 Connecter l'appareil au réseau domestique WLAN (Wi-Fi) avec la fonction WPS

Si votre routeur dispose d'une fonction WPS, vous pouvez connecter automatiquement l'appareil à votre réseau domestique WLAN (Wi-Fi).




1. Appuyez sur menu.
 - ✓ connect s'allume et l'affichage du sous-menu indique .
2. Appuyez sur  (sous-menu) jusqu'à ce que l'affichage du sous-menu indique  et que l'affichage des réglages du sous-menu indique .
3. Appuyez sur  (réglage du sous-menu).
 - ✓ L'affichage des réglages du sous-menu montre une animation pendant 2 minutes. L'appareil est prêt pour la connexion automatique au réseau domestique WLAN (Wi-Fi).
4. Pendant ce temps, activez la fonction WPS sur le routeur.
 - ✓ Veuillez tenir compte à cet effet des informations contenues dans la documentation de votre routeur.
 - ✓ Si la connexion est établie avec succès,  clignote dans l'affichage des réglages du sous-menu.
5. Si l'affichage des réglages du sous-menu indique  cela signifie qu'aucune connexion n'a pu être établie entre l'appareil et le réseau domestique WLAN (Wi-Fi).
 - Vérifiez que l'appareil se trouve dans la zone de portée du réseau domestique WLAN (Wi-Fi).
→ *"Contrôler l'intensité du signal", Page 46*
 - Répétez l'opération ou établissez une connexion manuelle → *Page 46*.
6. Connectez l'appareil à l'appli Home Connect.
→ *Page 46*

¹ Wi-Fi est une marque déposée de la société Wi-Fi Alliance.

10.2 Connecter l'appareil au réseau domestique WLAN (Wi-Fi) sans la fonction WPS

Si votre routeur ne dispose d'aucune fonction WPS, vous pouvez connecter manuellement l'appareil à votre réseau domestique WLAN (Wi-Fi). L'appareil établit temporairement son propre réseau WLAN. Vous pouvez connecter un appareil mobile au réseau WLAN et transférer les informations du réseau domestique WLAN (Wi-Fi) sur votre appareil.

Exigence : L'appli Home Connect™ est configurée sur l'appareil mobile.


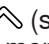

1. Appuyez sur menu.
- ✓ connect s'allume et l'affichage du sous-menu indique **¶n**.
2. Appuyez sur  /  (sous-menu) jusqu'à ce que l'affichage du sous-menu indique **5R** et que l'affichage des réglages du sous-menu indique **0F**.
3. Appuyez sur  (réglage du sous-menu).
 - ✓ L'appareil établit un réseau WLAN propre avec le nom de réseau « HomeConnect ».
 - ✓ L'affichage des réglages du sous-menu montre une animation. L'appareil est prêt pour la connexion manuelle au réseau domestique WLAN (Wi-Fi) .
4. Suivez les instructions figurant dans l'appli Home Connect™ sur l'appareil mobile.
 - ✓ Les informations du réseau domestique WLAN (Wi-Fi) seront transférées sur l'appareil.
 - ✓ Si la connexion est établie avec succès, **0n** clignote dans l'affichage des réglages du sous-menu.
5. Si l'affichage des réglages du sous-menu indique **Er** cela signifie qu'aucune connexion n'a pu être établie entre l'appareil et le réseau domestique WLAN (Wi-Fi).
 - Vérifiez que l'appareil se trouve dans la zone de portée du réseau domestique WLAN (Wi-Fi).
→ "Contrôler l'intensité du signal", Page 46
 - Répétez l'opération.

10.3 Connecter l'appareil à l'appli Home Connect™

Si vous avez connecté automatiquement votre appareil à votre réseau domestique WLAN (Wi-Fi) , vous pouvez connecter votre appareil avec l'appli Home Connect™.

Exigence


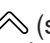
- L'appareil est connecté au réseau domestique WLAN (Wi-Fi). → Page 45
- L'appli Home Connect™ est configurée sur l'appareil mobile.

1. Appuyez sur menu.
- ✓ connect s'allume et l'affichage du sous-menu indique **¶n**.
2. Appuyez sur  /  (sous-menu) jusqu'à ce que l'affichage du sous-menu indique **PR** et que l'affichage des réglages du sous-menu indique **0F**.
3. Appuyez sur  (réglage du sous-menu).
 - ✓ L'affichage des réglages du sous-menu montre une animation.

4. Suivez les instructions figurant dans l'appli Home Connect™ jusqu'à ce que l'opération soit terminée.
 - ✓ Si la connexion est établie avec succès, l'affichage des réglages du sous-menu indique **0n**.
5. Si l'affichage des réglages du sous-menu indique **Er**, aucune connexion n'a pu être établie entre l'appareil et l'appli Home Connect™.
 - Vérifiez dans l'appli Home Connect™ si l'appareil mobile est connecté au réseau domestique WLAN (Wi-Fi) .
 - Répétez l'opération.
6. Si l'affichage des réglages du sous-menu indique **rE**, réinitialisez les réglages Home Connect™. → Page 47

10.4 Contrôler l'intensité du signal

Vous devez contrôler l'intensité du signal s'il n'est pas possible d'établir de connexion.

1. Appuyez sur menu.
- ✓ connect s'allume et l'affichage du sous-menu indique **¶n**.
2. Appuyez sur la touche  /  (sous-menu) jusqu'à ce que l'affichage du sous-menu indique **5l**.
- ✓ L'affichage des réglages du sous-menu indique une valeur entre **0** (aucune réception) et **3** (réception totale).
3. Appuyez sur menu.

Remarque : Le signal doit avoir une intensité minimale de **2**.

Améliorer la réception

La connexion peut être coupée si l'intensité du signal est trop faible.

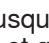
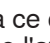
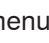
- ▶ Réalisez l'une des solutions possibles :
 - Rapprochez davantage le routeur du réfrigérateur.
 - Assurez-vous que la connexion n'est pas perturbée par des murs qui font écran.
 - Installez un répéteur pour amplifier le signal.

10.5 Installer une mise à jour du logiciel Home Connect

L'appareil recherche régulièrement des mises à jour du logiciel Home Connect™.

Remarque : Lorsque des mises à jour sont disponibles, l'affichage du sous-menu indique **UP**.


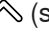

Pour interrompre la mise à jour et réinitialiser l'affichage du sous-menu sur la température réglée, appuyez sur un champ tactile quelconque.

1. Appuyez sur menu.
- ✓ connect s'allume et l'affichage du sous-menu indique **¶n**.
2. Appuyez sur  /  (sous-menu) jusqu'à ce que l'affichage du sous-menu indique **UP** et que l'affichage des réglages du sous-menu indique **0F**.
3. Appuyez sur  (réglage du sous-menu).
 - ✓ L'affichage des réglages du sous-menu montre une animation.
 - ✓ La mise à jour est en cours d'installation.
 - ✓ Pendant l'installation, le bandeau de commande est verrouillé.

- ✓ Si l'installation est réussie, l'affichage des réglages du sous-menu indique **0n**.
- 4. Si l'affichage des réglages du sous-menu indique **Er**, cela signifie que l'appareil n'a pas pu installer la mise à jour.
 - Répétez l'opération ultérieurement.
- 5. Si la mise à jour n'a pas pu être finalisée après plusieurs tentatives, contactez le service après-vente → *Page 59*.

10.6 Réinitialisez les réglages Home Connect™

Si vous rencontrez des problèmes de connexion de votre appareil à votre réseau domestique WLAN (Wi-Fi) ou si vous souhaitez enregistrer votre appareil dans un autre réseau domestique WLAN (Wi-Fi), vous pouvez réinitialiser les réglages de Home Connect™.

1. Appuyez sur menu.
 - ✓ connect s'allume et l'affichage du sous-menu indique **En**.
2. Appuyez sur  /  (sous-menu) jusqu'à ce que l'affichage du sous-menu indique **rE** et que l'affichage des réglages du sous-menu indique **0F**.
3. Appuyez sur  (réglage du sous-menu).
 - ✓ L'affichage des réglages du sous-menu montre une animation pendant environ 15 secondes.
 - ✓ Ensuite, l'affichage des réglages du sous-menu indique **0n**.
 - ✓ Les réglages de Home Connect™ sont réinitialisés.
4. Appuyez sur menu.

10.7 Diagnostic à distance

Le service à la clientèle peut accéder à votre appareil via le diagnostic à distance si vous en faites la demande spécifique, si votre appareil est connecté au serveur Home Connect™ et si le diagnostic à distance est disponible dans le pays où vous utilisez l'appareil.

Conseil : Pour plus d'informations et pour connaître la disponibilité du service de diagnostic à distance dans votre pays, veuillez consulter la section Service/Support du site Web local : www.home-connect.com

10.8 Protection des données

Observez les consignes de protection des données. Lors de la première connexion de votre appareil à un réseau domestique branché à Internet, votre appareil transmet les catégories de données suivantes au serveur Home Connect™ (premier enregistrement) :

- Code d'appareil univoque (constitué de clés d'appareil ainsi que de l'adresse MAC du module de communication Wi-Fi intégré).
- Certificat de sécurité du module de communication Wi-Fi (pour la protection des informations de la connexion).
- La version actuelle du logiciel et du matériel de l'électroménager.
- État d'une précédente restauration éventuelle des réglages d'usine.

Ce premier enregistrement prépare l'utilisation des fonctions Home Connect™ et ne s'avère nécessaire qu'au moment où vous voulez utiliser les fonctions Home Connect™ pour la première fois.

Remarque : Veuillez noter que les fonctions Home Connect™ ne sont utilisables qu'avec l'application Home Connect™. Vous pouvez consulter les informations sur la protection des données dans l'application Home Connect™.

11 Compartiment réfrigération

Vous pouvez entreposer des produits laitiers, des œufs, des plats cuisinés, des pâtisseries, des conserves ouvertes et des fromages à pâte dure dans le compartiment fraîcheur.

La température est réglable de 33 °F (1 °C) à 43 °F (6 °C).

Le stockage au froid vous permet aussi de ranger des denrées facilement périssables à court et moyen terme. Plus la température choisie est basse, plus les aliments restent frais plus longtemps.

11.1 Conseils pour ranger des produits alimentaires dans le compartiment réfrigération

- Stockez uniquement des aliments frais et intacts.
- Conservez les aliments dans un récipient hermétique ou couvert.
- Laissez les boissons et aliments chauds refroidir avant de les ranger.
- Respectez la date de péremption ou la date limite d'utilisation indiquée par le fabricant.

11.2 Zones froides dans le compartiment réfrigération

L'air circulant dans le compartiment réfrigération engendre des zones différemment froides.

Zone la plus froide

La zone la plus froide se trouve dans le bac tiroir.

Conseil : Rangez dans le compartiment fraîcheur les aliments périssables, par ex. le poisson, la charcuterie et la viande.

→ "*Compartiment fraîcheur*", *Page 47*

Zone la moins froide

La zone la moins froide se trouve complètement en haut, contre la porte.

Conseil : Rangez-y par ex. les fromages à pâte dure et le beurre. Le fromage peut ainsi continuer à développer son arôme, tandis que le beurre reste facile à tartiner.

12 Compartiment fraîcheur

Vous pouvez conserver les aliments frais jusqu'à trois fois plus longtemps dans le compartiment fraîcheur par rapport au compartiment réfrigération.

La température peut être réglée de 29 °F (-2 °C) à 40 °F (4 °C) grâce à des réglages de paliers prédéfinis.

La qualité des aliments stockés est mieux préservée par leur stockage au frais. La basse température et l'humidité optimale de l'air créent des conditions de rangement idéales pour les produits alimentaires frais.

12.1 Recommandations de paliers dans le compartiment fraîcheur

Réglage de stockage	Aliments
29°F ◊	Viandes, poissons et fruits de mer
32°F ◊	Fruits, denrées mélangées avec fruits et légumes, charcuteries, fromages et produits laitiers
32°F ◊◊	Légumes
34°F ◊	Boissons
40°F ◊	En-cas et divers

Conseil : Les fruits, les légumes, les boissons et les en-cas peuvent être congelés à une température inférieure à 32 °F (0 °C).

Utilisez le réglage de paliers 29°F ◊ uniquement pour la viande et le poisson.

13 Compartiment congélation

Dans le compartiment congélation, vous pouvez stocker des aliments congelés, congeler des aliments et confectionner des glaçons.

La température est réglable de 6 °F (-14 °C) à -7 °F (-22 °C).

La température de stockage à long terme des aliments doit se situer à 0 °F (-18 °C) ou encore plus bas.

La congélation vous permet de stocker les aliments facilement périssables à long terme. Les basses températures ralentissent ou stoppent la l'altération des aliments.

13.1 Conseils pour ranger des aliments dans le compartiment congélation

- Conservez les aliments dans des emballages hermétiques.
- Veillez à ce que les aliments à congeler n'entrent pas en contact avec d'autres déjà congelés.
- Répartissez les produits alimentaires sur une grande surface dans les bacs à produits congelés.
- Pour congeler de grandes quantités d'aliments frais rapidement et en douceur, placez-les dans le bac tiroir à aliments congelés.

13.2 Conseils pour congeler des aliments frais

- Congelez uniquement des aliments frais et d'un aspect impeccable.
- Congelez les aliments en portions.
- Les plats cuisinés sont plus appropriés que les aliments crus comestibles.
- Lavez, hachez et blanchissez les légumes avant de les congeler.
- Avant la congélation, lavez les fruits, retirez les pépins et épluchez les fruits si nécessaire, ajoutez du sucre ou une solution d'acide ascorbique si nécessaire.
- Les produits de boulangerie, le poisson et les fruits de mer, la viande, le gibier et la volaille, les œufs sans coquille, le fromage, le beurre, le caillé, les plats préparés et les restes se prêtent à la congélation.

- La laitue, les radis, les œufs en coquille, les raisins, les pommes et poires crues, le yaourt, la crème aigre, la crème fraîche et la mayonnaise ne se prêtent pas à la congélation.

Emballer les surgelés

Un matériau d'emballage approprié et le bon type d'emballage sont essentiels pour maintenir la qualité du produit et éviter les brûlures de congélation.

1. Placez les aliments dans l'emballage.
2. Pressez pour chasser l'air.
3. Fermez hermétiquement l'emballage afin que les aliments ne perdent pas leur saveur ou ne se dessèchent pas.
4. Indiquez sur l'emballage le contenu et la date de congélation.

13.3 Méthodes de décongélation pour aliments congelés

⚠ MISE EN GARDE

Lors de la décongélation, les bactéries peuvent se multiplier et les aliments congelés peuvent s'abîmer.

- ▶ Ne remettez pas à congeler des produits alimentaires partiellement ou entièrement décongelés.
- ▶ Ne recongelez les aliments qu'après avoir les avoir fait cuire ou rôtir.
- ▶ N'utilisez plus la durée de conservation dans son intégralité.
- Décongelez les aliments d'origine animale dans le compartiment réfrigération, par exemple le poisson, la viande, le fromage et le caillé.
- Décongelez le pain à température ambiante.
- Préparez des aliments au micro-ondes, au four ou sur la cuisinière pour une consommation immédiate.

14 Système hydraulique

Votre appareil est doté de composants contenant de l'eau. Le système hydraulique fonctionne uniquement si un filtre à eau ou un capuchon bypass est installé.

14.1 Filtre à eau

Le filtre à eau filtre les particules et le goût de chlore de l'eau.

Le filtre à eau réduit d'autres impuretés, par exemple les chloramines, le plomb et les produits pharmaceutiques.

Remarque : Le filtre à eau ne filtre pas les bactéries ou microbes.

Changez le filtre à eau :

- tous les 6 mois.
- lorsque change filter s'allume.
- lorsque le débit d'eau est visiblement réduit.

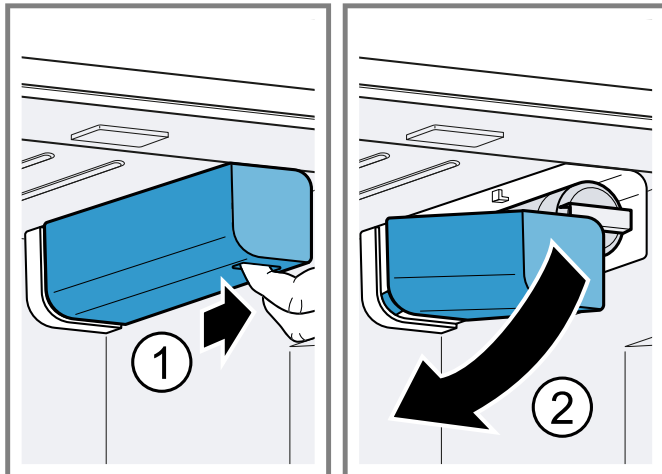
Conseils

- Pour un filtre à eau neuf, adressez-vous à notre service après-vente, à votre revendeur ou consultez notre site Web.
- Si vous ne souhaitez pas utiliser de filtre à eau dans votre appareil ou faire installer un système de filtre à eau externe, vous pouvez remplacer le filtre à eau de façon permanente par un capuchon bypass.

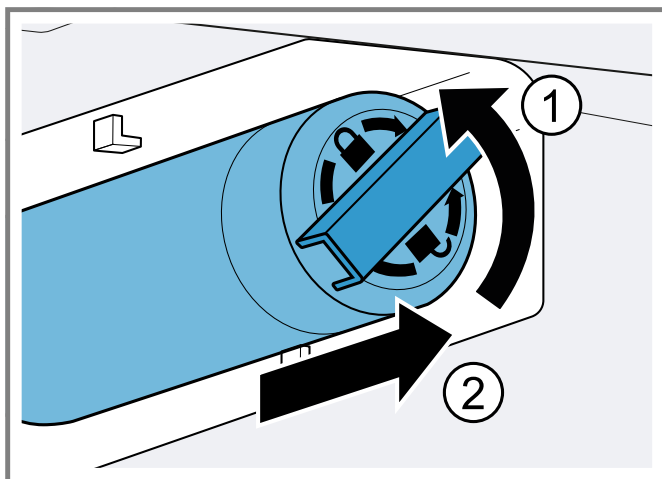
Le capuchon bypass filtre uniquement les particules grossières de l'eau et peut être nettoyé si nécessaire. Pour un capuchon bypass, adressez-vous à notre service après-vente ou consultez notre site Web.

Changer le filtre à eau ou le remplacer par un capuchon bypass

1. Agrippez le couvercle du filtre par la rainure située en dessous, tirez-le légèrement vers l'avant ① et rabattez-le vers la gauche ②.



2. Tournez le filtre à eau de 90° dans le sens inverse des aiguilles d'une montre ① et retirez-le ②.
 - Retirez le filtre à eau avec précaution car il peut se trouver sous pression.



Remarque : Une partie de l'eau s'égoutte du filtre à eau lorsque vous le retirez. Essuyez l'eau qui s'égoutte avec un essuie-tout sec.

Conseil : Vous pouvez jeter le filtre à eau usé avec les ordures ménagères.

3. Poussez le nouveau filtre à eau ou capuchon bypass jusqu'en butée dans l'ouverture du filtre, puis faites-le pivoter à 90° dans le sens horaire.
4. Rabattez le couvercle du filtre vers le haut à droite et repoussez-le jusqu'en butée.
5. Jetez tous les glaçons produits au cours des premières 24 heures, prélevez de l'eau pendant 5 minutes et jetez-la.

14.2 Distributeur d'eau

Prélevez de l'eau froide du distributeur d'eau.

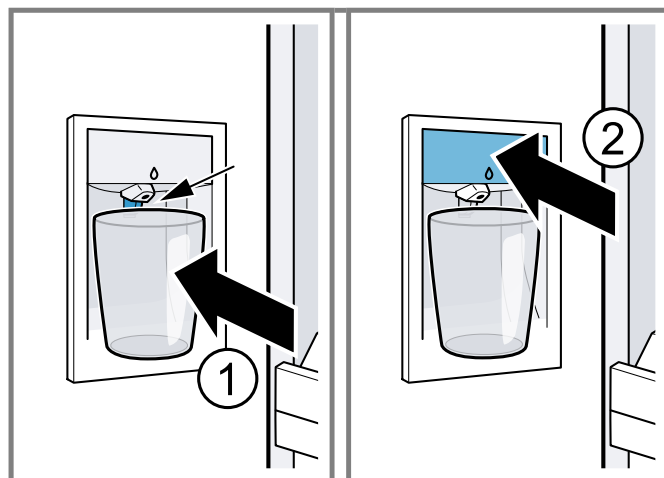
Mettre en service le distributeur d'eau

Remarque : Le système hydraulique d'un appareil nouvellement branché, ou pourvu d'un filtre à eau neuf, contient de l'air.

1. Faites couler l'eau jusqu'à ce qu'elle ne contienne plus de bulles d'air.
Essuyez les éclaboussures d'eau avec un essuie-tout sec.
2. Pour des raisons d'hygiène, prélevez et jetez l'eau produite pendant 5 minutes.

Prélever de l'eau

- ▶ Appuyez le verre contre le bouton de retrait ① ou placez le verre sous le distributeur d'eau et appuyez sur ②.



Remarques

- Après un certain temps de prélèvement continu, le distributeur d'eau et de glace s'arrête. Patientez quelques secondes avant de prélever à nouveau de l'eau.
- Après quelques cycles de prélèvement consécutifs, le distributeur d'eau et de glace s'arrête. Patientez quelques minutes avant de prélever à nouveau de l'eau.

14.3 Distributeur de glaçons

Utilisez le distributeur de glaçons pour produire des glaçons.

⚠ AVERTISSEMENT

Les pièces rotatives peuvent provoquer des blessures.

- ▶ Ne passez jamais la main sous ou dans le distributeur de glaçons.

Remarque : Le distributeur de glaçons détecte automatiquement que la réserve à glaçons est pleine. Le remplissage de la réserve à glaçons peut prendre jusqu'à 48 heures.

Conseils

- Vous pouvez accélérer la production de glaçons en réglant une température de congélation plus froide ou en activant Super-congélation. Cela fera augmenter légèrement la consommation d'énergie.

- Si les glaçons ont un goût désagréable, jetez les glaçons restants et la production de glaçons des 24 heures suivantes. Si les glaçons continuent à avoir mauvais goût par la suite, changez le filtre à eau.

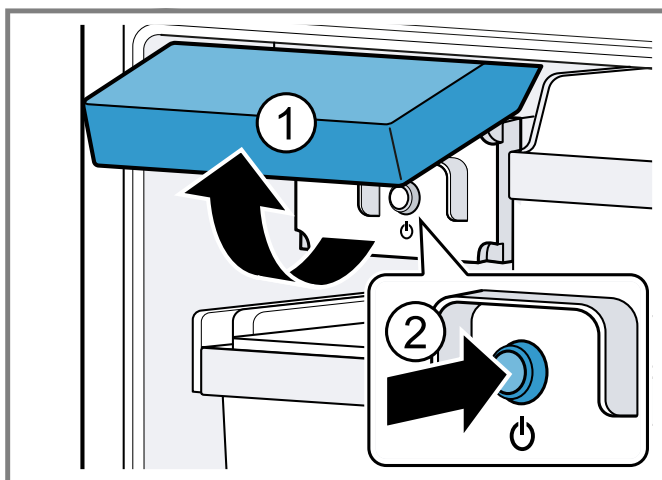
Mettre en service le distributeur de glaçons

Remarques

- La production de glaçons démarre dès que l'appareil est allumé et que le compartiment congélation a atteint la température réglée.
- Les premiers glaçons sont prêts environ 4 heures après que le compartiment congélation ait atteint la température réglée.
- ▶ Pour des raisons d'hygiène, jetez tous les glaçons produits pendant les 24 premières heures.

Lancer la production de glaçons

- ▶ Rabattez le couvercle du distributeur de glaçons vers le haut ① et appuyez sur le bouton du distributeur de glaçons ②.

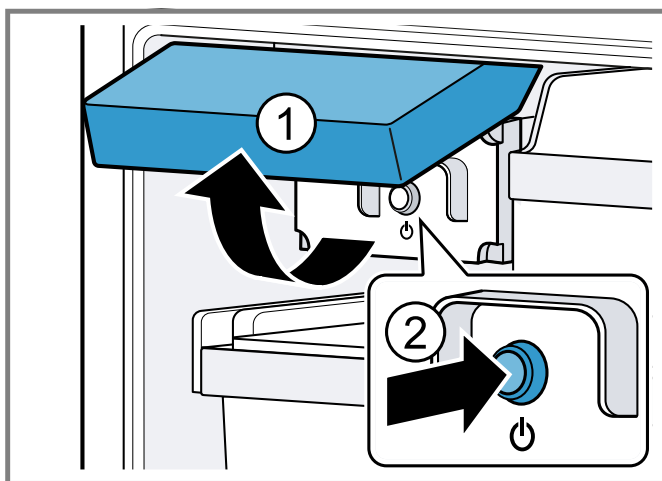


- ✓ La touche du distributeur de glaçons s'allume.

Remarque : En appuyant sur le bouton du distributeur de glaçons pendant 3 secondes, vous réinitialisez l'état de changement du filtre.

Arrêter la production de glaçons

- ▶ Rabattez le couvercle du distributeur de glaçons vers le haut ① et appuyez sur le bouton du distributeur de glaçons ②.



- ✓ La touche du distributeur de glaçons s'éteint.

Remarque : En appuyant sur le bouton du distributeur de glaçons pendant 3 secondes, vous réinitialisez l'état de changement du filtre.

15 Dégivrer

15.1 Dégivrer le compartiment réfrigération

Le compartiment réfrigération de votre appareil se dégèle automatiquement.

15.2 Dégivrer le compartiment fraîcheur

Le compartiment fraîcheur de votre appareil se dégèle automatiquement.

15.3 Dégivrer le compartiment congélation

Grâce au système « NoFrost » entièrement automatique, le compartiment congélation ne se couvre pas de givre. Aucun dégivrage n'est nécessaire. Aucun dégivrage n'est nécessaire.

16 Nettoyage et entretien

Pour que votre appareil reste longtemps opérationnel, nettoyez-le et entretenez-le avec soin. Le nettoyage de points inaccessibles doit être réalisé par le service après-vente. Le nettoyage par le service après-vente peut engendrer des frais.

16.1 Préparer l'appareil pour le nettoyage

1. Éteindre l'appareil. → Page 42
2. Débranchez l'appareil du réseau électrique. Retirez la fiche du cordon d'alimentation secteur ou désactivez le fusible dans la boîte à fusibles.
3. Retirez tous les aliments de l'appareil et rangez-les dans un endroit frais. Si possible, placez des accumulateurs de froid sur les aliments.
4. Retirez toutes les pièces d'équipement et les accessoires de l'appareil. → Page 51
5. Déposez les rails de sortie. → Page 53
6. Retirez la plaque en verre du compartiment réfrigération. → Page 54
7. Enlevez le couvercle du bac fraîcheur. → Page 55

16.2 Nettoyer l'appareil

⚠ AVERTISSEMENT

L'humidité qui pénètre peut occasionner une électrocution.

- ▶ N'utilisez pas de nettoyeur haute pression ou de nettoyeur à vapeur pour nettoyer l'appareil.

AVIS :

Les produits de nettoyage inappropriés risquent d'endommager la surface de l'appareil.

- ▶ N'utilisez pas de tampon abrasif ni d'éponge en laine d'acier.
- ▶ N'utilisez pas de produits de nettoyage agressifs ou récurants.

- ▶ N'utilisez pas de produits de nettoyage fortement alcoolisés,
- ▶ N'utilisez pas de nettoyant pour acier inox sur le côté extérieur de l'appareil.

Si vous nettoyez les pièces d'équipement et les accessoires au lave-vaisselle, ceux-ci risquent de se déformer ou de déteindre.

- ▶ Ne nettoyez jamais les équipements et accessoires au lave-vaisselle.

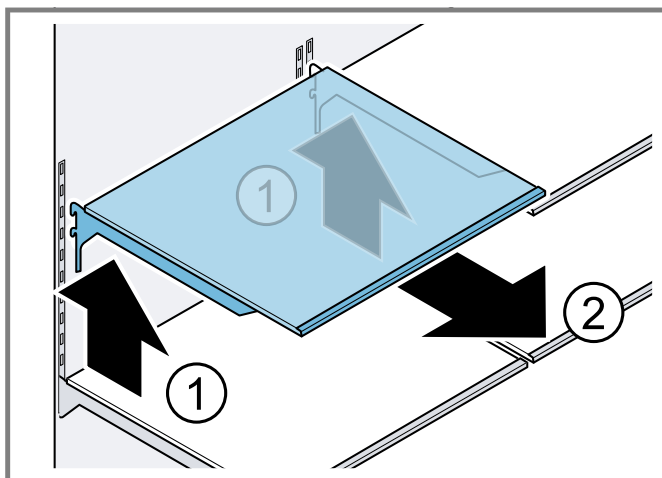
1. Préparez l'appareil pour le nettoyage. → *Page 50*
2. Nettoyez l'appareil, les pièces d'équipement, les accessoires et les joints de porte avec une lavette, de l'eau tiède et du produit à vaisselle présentant un pH neutre.
3. Séchez ensuite minutieusement avec un chiffon doux et sec.
4. Insérez les pièces d'équipement et montez les pièces de l'appareil.
5. Raccordez l'appareil électriquement.
6. Mettez l'appareil sous tension. → *Page 42*
7. Rangez les aliments.

16.3 Retirer les pièces d'équipement

Si vous souhaitez nettoyer soigneusement les pièces d'équipement, retirez celles-ci de votre appareil.

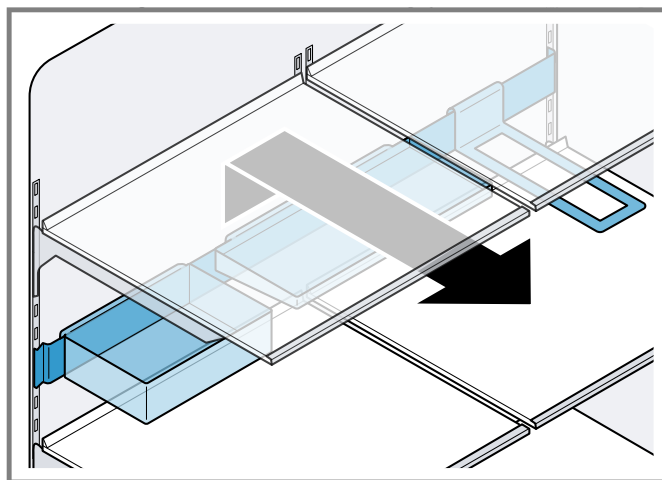
Retirer la clayette

- ▶ Soulevez la clayette ① et retirez-la ②.



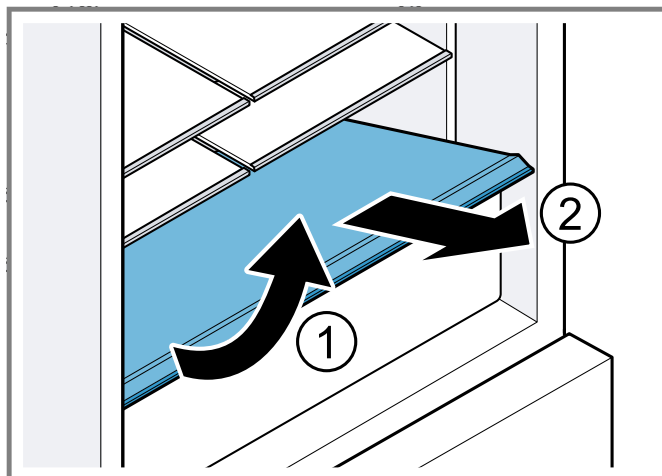
Retirer le rail d'équipement

- ▶ Soulevez le rail d'équipement et retirez-le.



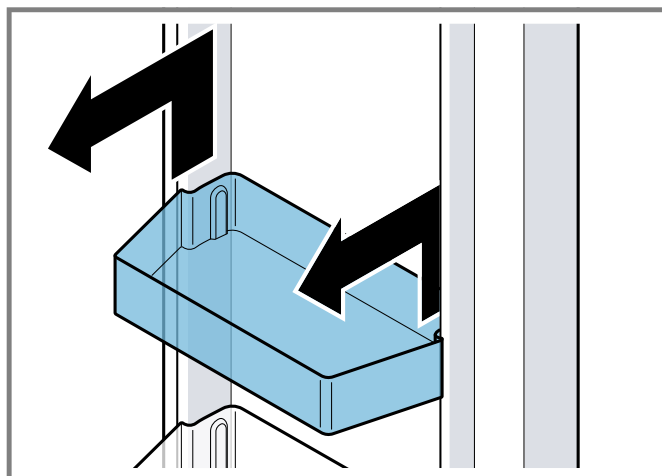
Retirer la clayette fixée

1. Extrayez le bac tiroir.
2. Soulevez la clayette fixée à l'avant ① et retirez-la ②.



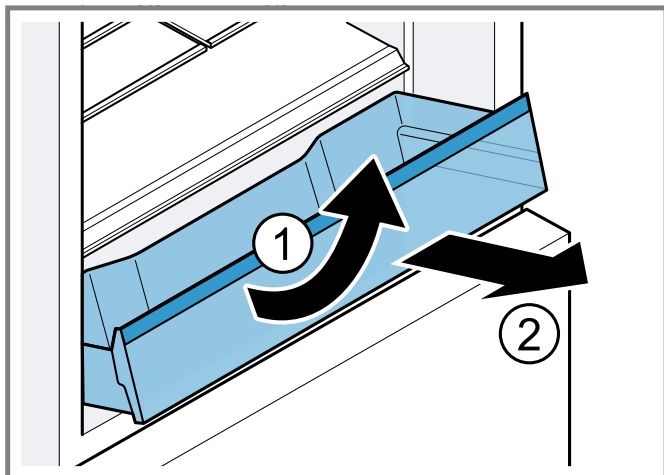
Retirer le compartiment de contre-porte

- ▶ Soulevez le compartiment dans la contre-porte vers le haut et retirez-le.

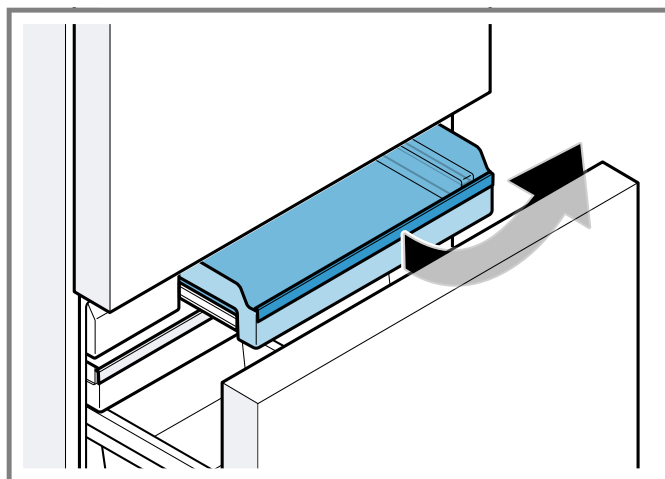


Retirer le bac tiroir

1. Extrayez le bac tiroir jusqu'en butée.
2. Soulevez le bac tiroir vers l'avant ① et retirez-le ②.

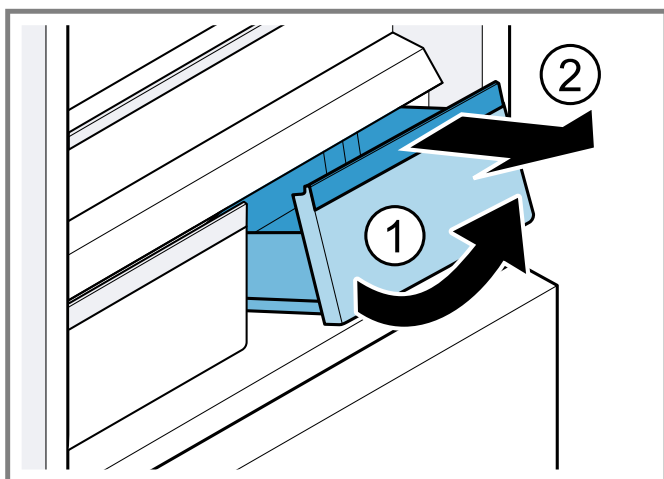


2. Soulevez le bac tiroir à aliments congelés vers l'avant et retirez-le.



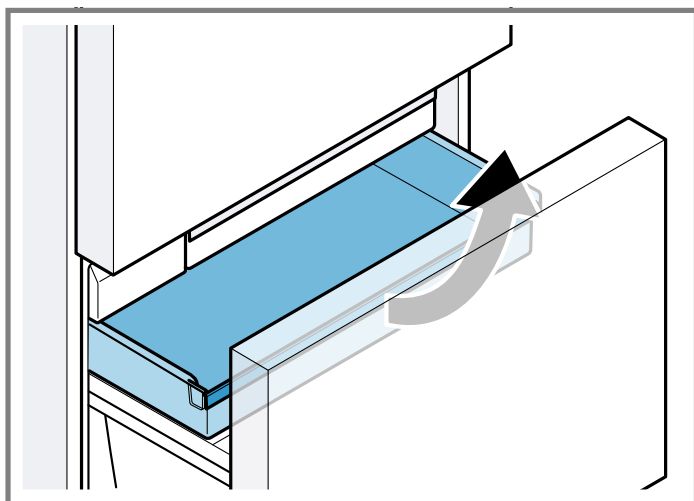
Retirer le bac fraîcheur

1. Extrayez le bac fraîcheur jusqu'en butée.
2. Soulevez le bac fraîcheur vers l'avant ① et retirez-le ②.



Retirer le bac à produits congelés plat

1. Tirez le récipient plat pour aliments congelés aussi loin que possible.
2. Soulevez le bac à aliments congelés plat vers l'avant et retirez-le.



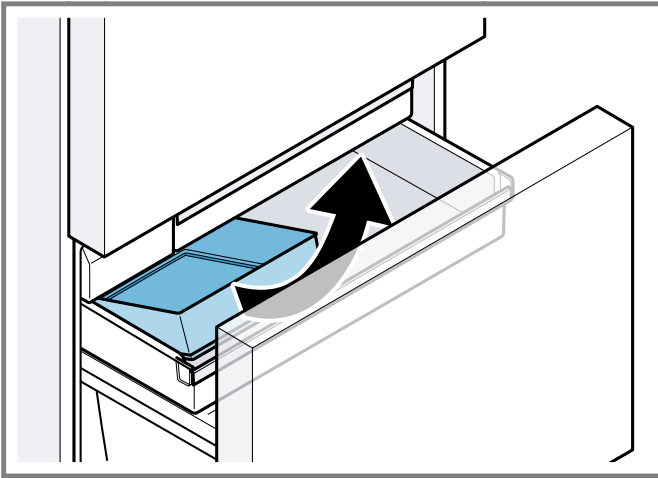
Retirer le bac tiroir à aliments congelés

1. Tirez le récipient coulissant pour aliments surgelés jusqu'à ce qu'il s'arrête.

Retirer la réserve à glaçons

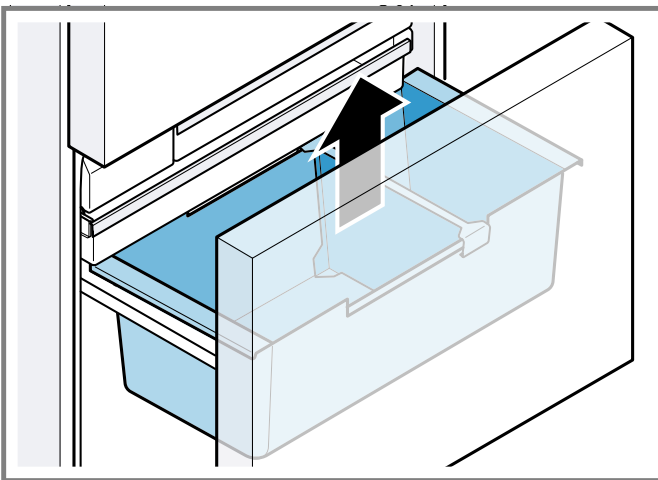
1. Tirez le récipient plat pour aliments congelés aussi loin que possible.

2. Soulevez la réserve à glaçons vers l'avant et retirez-la.



Retirer le bac de support pour aliments congelés

- Retirez le bac de support pour aliments congelés vers le haut.



16.4 Démontez les pièces de l'appareil

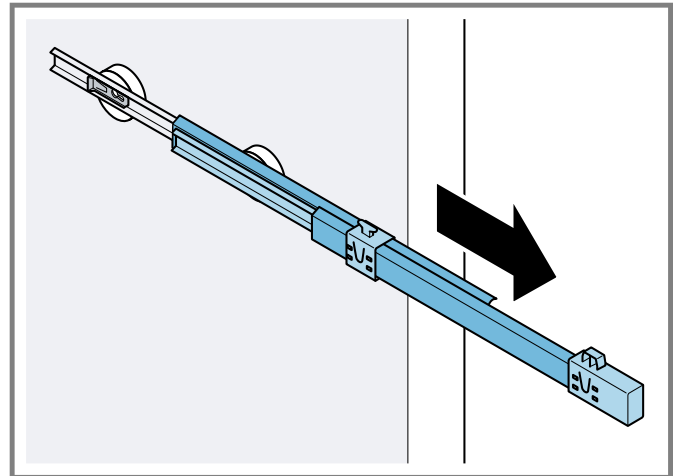
Si vous souhaitez effectuer un nettoyage complet de votre appareil, vous pouvez retirer certaines pièces de votre appareil.

Rails de sortie

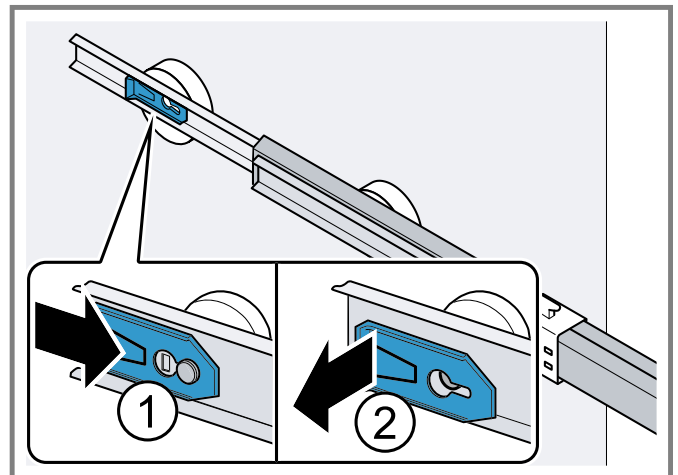
Pour nettoyer à fond les rails de sortie, vous pouvez les retirer.

Démontez les rails de sortie

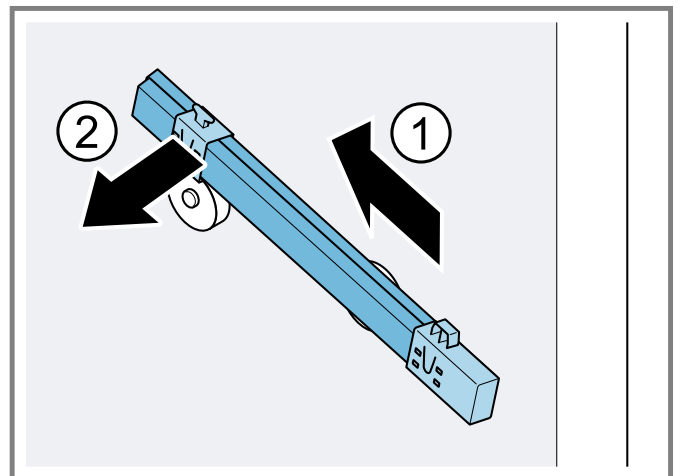
1. Extrayez les rails de sortie.



2. Poussez le dispositif de verrouillage dans le sens de la flèche ① et relâchez-le par le boulon arrière ②.

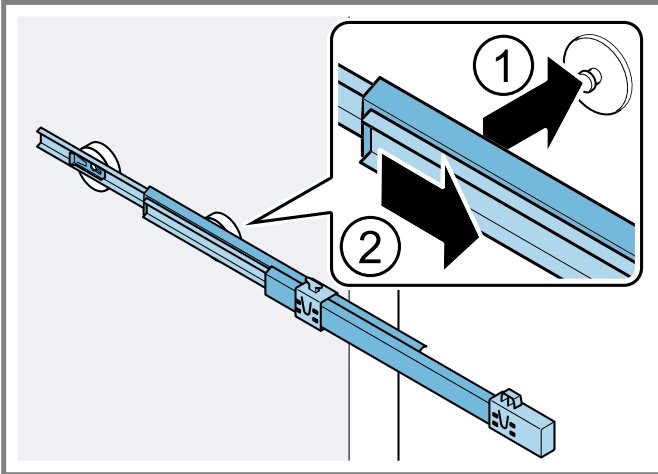


3. Poussez les rails de sortie.
4. Poussez les rails de sortie en arrière au dessus du boulon arrière ① puis décrantez-les ②.

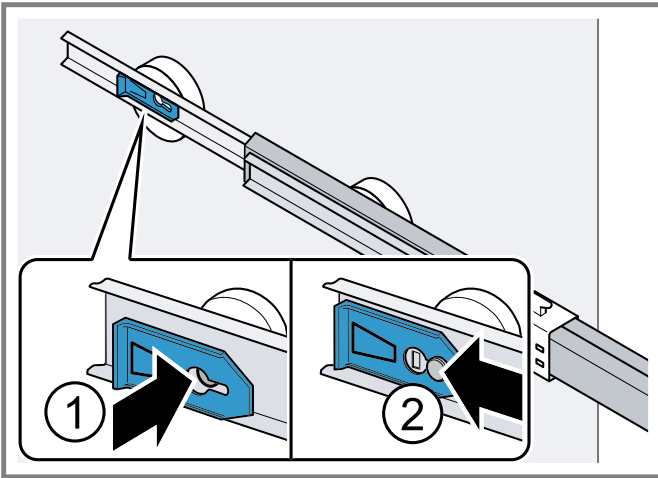


Monter les rails de sortie

1. Posez le rail de sortie déployé sur le boulon avant ① et tirez-le légèrement vers l'avant ②.



2. Insérez le rail de sortie au niveau du boulon arrière ① et faites glisser le dispositif de verrouillage vers l'arrière ②.

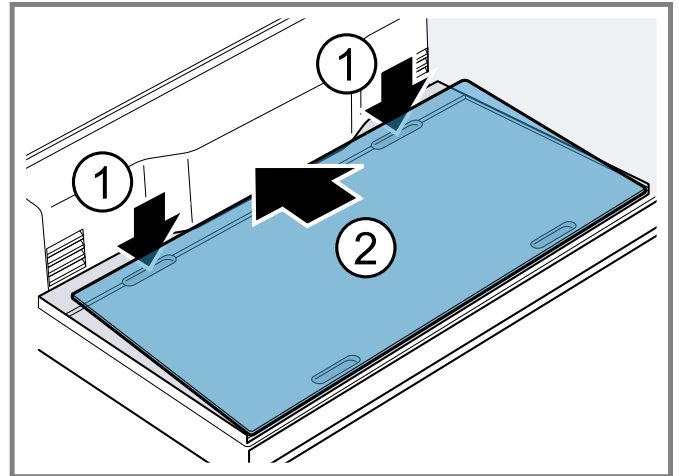


Plaque en verre du compartiment réfrigération

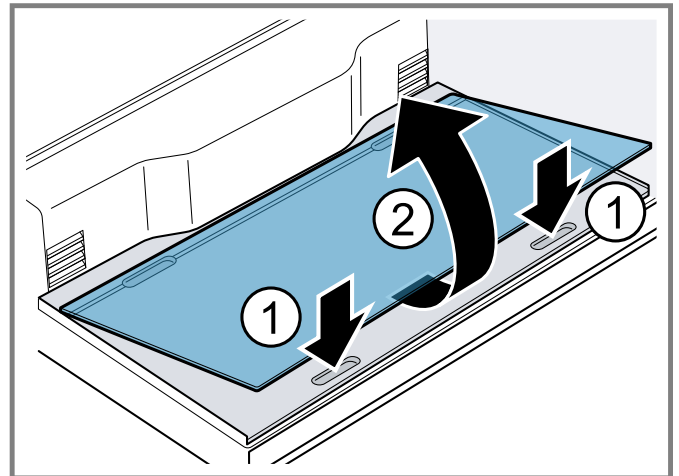
Pour bien nettoyer la plaque en verre du compartiment réfrigération, vous pouvez la retirer.

Démonter la plaque en verre du compartiment réfrigération

1. Saisissez les deux évidements à l'arrière du fond du compartiment réfrigération et soulevez la plaque en verre du compartiment réfrigération ①. Poussez la plaque en verre du compartiment réfrigération vers l'arrière ②.

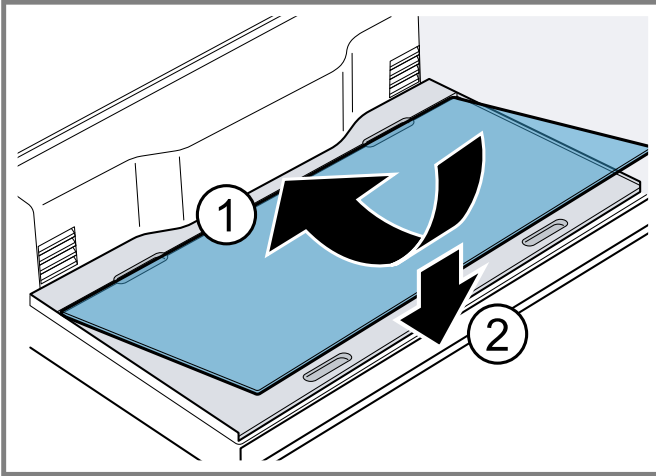


2. Saisissez les deux évidements à l'avant du fond du compartiment réfrigération ①, soulevez la plaque en verre du compartiment réfrigération et retirez-la ②.



Monter la plaque en verre du compartiment réfrigération

- Placez la plaque en verre du compartiment réfrigération à l'arrière sur la tablette du compartiment réfrigération ① et abaissez-la ②.

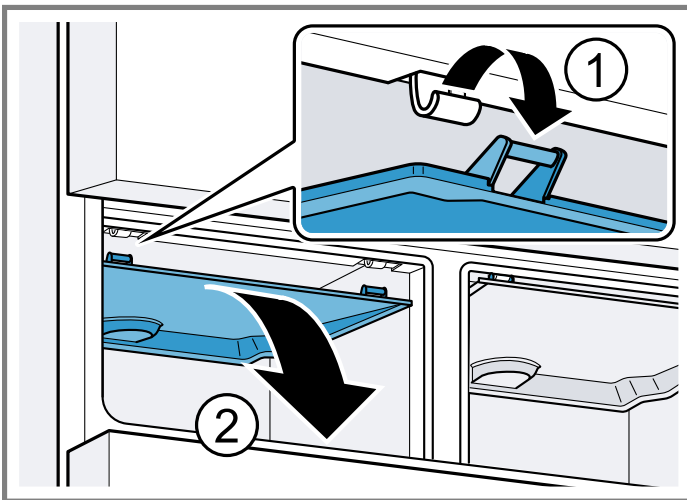


Couvercle du bac fraîcheur

Pour bien nettoyer le couvercle du bac fraîcheur, vous pouvez retirer ce dernier.

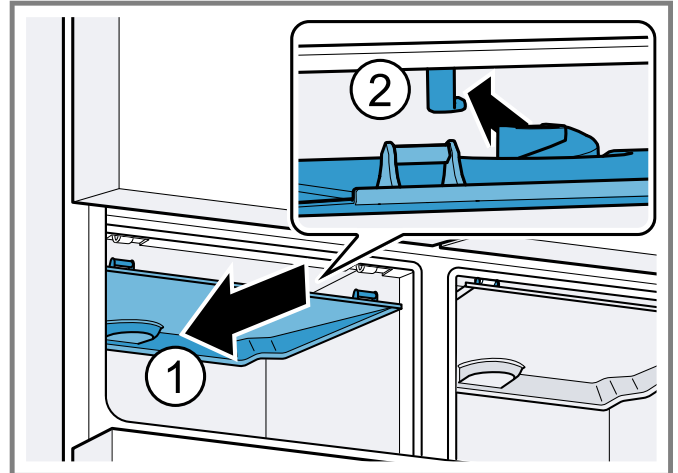
Démonter le couvercle du bac fraîcheur

1. Retirez le bac fraîcheur.
2. Déclipez le couvercle du bac fraîcheur ① et retirez-le ②.

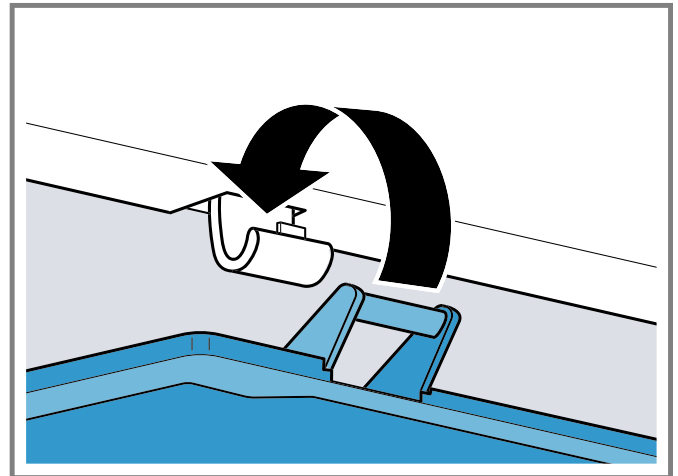


Monter le couvercle du bac fraîcheur

1. Poussez le couvercle du bac fraîcheur symétriquement vers l'arrière ① et accrochez-le ②.



2. Emboîtez le couvercle du bac fraîcheur.



3. Encastrez le bac fraîcheur.

17 Dépannage

Vous pouvez éliminer vous-même les défauts mineurs de votre appareil. Veuillez lire les informations de dépannage avant de contacter le service à la clientèle. Cela peut éviter des frais de réparation inutiles.

- ▶ Si le cordon d'alimentation secteur de cet appareil est endommagé, il doit être remplacé par un cordon spécifique disponible auprès du fabricant ou de son service à la clientèle.

AVERTISSEMENT

Les réparations non conformes sont dangereuses.

- ▶ Seules des pièces de rechange d'origine peuvent être utilisées pour réparer l'appareil.

Défaut	Cause et dépannage
L'appareil ne réfrigère pas, les affichages et l'éclairage sont allumés.	<p>L'appareil se trouve sur le mode Exposition.</p> <ol style="list-style-type: none"> 1. Appuyez sur alarm off pendant 15 secondes jusqu'à ce que trois signaux sonores retentissent. ✓ L'éclairage des bandeaux de commande et l'éclairage intérieur s'allument brièvement. ✓ alarm off clignote et une alarme sonore retentit. <ol style="list-style-type: none"> 2. Appuyez sur alarm off. 3. Vérifiez après un court laps de temps si l'appareil réfrigère.
L'éclairage par LED ne fonctionne pas.	<p>Ce problème peut avoir de nombreuses causes.</p> <ul style="list-style-type: none"> ▶ Appelez le service après-vente. → "Service à la clientèle", Page 59
Home Connect ne fonctionne pas correctement.	<p>Ce problème peut avoir de nombreuses causes.</p> <ul style="list-style-type: none"> ▶ Rendez-vous sur www.home-connect.com.
Un E ou un d apparaît dans l'affichage de la température.	<p>L'électronique a détecté un défaut.</p> <ol style="list-style-type: none"> 1. Éteignez l'appareil. → Page 42 2. Débranchez l'appareil du secteur. Retirez la fiche du cordon d'alimentation secteur ou désactivez le fusible dans le boîtier à fusibles. 3. Raccordez à nouveau l'appareil après 5 minutes. 4. Mettez l'appareil sous tension. → Page 42 5. Si ce message apparaît toujours, contactez le service après-vente. → "Service à la clientèle", Page 59
L'affichage de la température (compartiment congélation) clignote, une alarme sonore retentit et alarm off clignote. L'alarme de température est activée.	<p>Ce problème peut avoir de nombreuses causes.</p> <ol style="list-style-type: none"> 1. Appuyez sur alarm off. ✓ L'alarme s'éteint. 2. Vérifiez après quelques heures si la température réglée dans le compartiment congélation a de nouveau été atteinte. <p>Les grilles de ventilation extérieures sont recouvertes.</p> <ul style="list-style-type: none"> ▶ Retirez les obstacles devant les grilles de ventilation extérieures. <p>L'appareil est rempli de grandes quantités de produits alimentaires frais.</p> <ul style="list-style-type: none"> ▶ Éteignez Super-congélation avant d'entreposer une plus grande quantité d'aliments. → "Allumez la Super-congélation", Page 43
alarm off clignote et une alarme sonore retentit. L'alarme de porte est activée.	<p>La porte de l'appareil est ouverte.</p> <ul style="list-style-type: none"> ▶ Fermez la porte de l'appareil.
La température dévie fortement par rapport au réglage.	<p>Ce problème peut avoir de nombreuses causes.</p> <ol style="list-style-type: none"> 1. Éteignez l'appareil. → Page 42 2. Allumez à nouveau l'appareil après env. 5 minutes. → Page 42 <ul style="list-style-type: none"> – Si la température est trop élevée, vérifiez-la à nouveau au bout de quelques heures. – Si la température est trop basse, vérifiez-la à nouveau le jour suivant.

Défaut	Cause et dépannage
De l'eau fuit de l'appareil.	<p>Le raccord d'eau ou le tuyau d'eau n'est pas étanche.</p> <ul style="list-style-type: none"> ▶ Assurez-vous que les raccordements d'eau sont bien serrés et que le tuyau d'eau n'est pas endommagé. <p>Si nécessaire, remplacez le tuyau d'eau.</p>
La distribution d'eau est réduite.	<p>La pression de l'eau est basse.</p> <ul style="list-style-type: none"> ▶ Vérifiez la pression d'eau au niveau de l'alimentation en eau ou du système de filtre à eau externe, par exemple, l'installation d'osmose inverse. <p>Raccordez l'appareil uniquement à un raccordement d'eau ayant une pression suffisante. → <i>Page 35</i></p> <hr/> <p>Le filtre à eau est bouché.</p> <ul style="list-style-type: none"> ▶ Changez le filtre à eau. → <i>Page 49</i>
De l'eau s'égoutte du distributeur d'eau.	<p>Le système hydraulique contient de l'air.</p> <ul style="list-style-type: none"> ▶ Retirez de l'eau jusqu'à ce qu'il n'y ait plus d'air.
Le distributeur d'eau ne fonctionne pas.	<p>Aucune alimentation en eau.</p> <ul style="list-style-type: none"> ▶ Assurez-vous qu'il y a une alimentation en eau et que la vanne d'arrêt sur le raccordement d'eau est ouverte. <p>Contactez un installateur si nécessaire.</p> <hr/> <p>Le tube d'entrée est plié.</p> <ul style="list-style-type: none"> ▶ Fermez l'alimentation en eau et redressez le coude du tuyau d'eau. <p>Si nécessaire, remplacez le tuyau d'eau.</p>
Les glaçons sont produits en quantité insuffisante.	<p>L'appareil a été raccordé.</p> <ul style="list-style-type: none"> ▶ Patientez environ 4 heures jusqu'à ce que la première production de glaçons soit prête. <hr/> <p>Le compartiment congélation a été ouvert fréquemment ou pendant une longue période.</p> <ul style="list-style-type: none"> ▶ Vérifiez au bout de quelques heures la production de glaçons. <hr/> <p>La pression de l'eau est basse.</p> <ul style="list-style-type: none"> ▶ Vérifiez la pression d'eau au niveau de l'alimentation en eau ou du système de filtre à eau externe, par exemple, l'installation d'osmose inverse. <p>Raccordez l'appareil uniquement à un raccordement d'eau ayant une pression suffisante. → <i>Page 35</i></p> <hr/> <p>Le filtre à eau est bouché.</p> <ul style="list-style-type: none"> ▶ Changez le filtre à eau. → <i>Page 49</i> <hr/> <p>Des aliments ou des objets bloquent le capteur de niveau du distributeur de glaçons.</p> <ul style="list-style-type: none"> ▶ Enlevez tous les objets ou aliments du bac à glaçons. <hr/> <p>Dysfonctionnement du distributeur de glaçons.</p> <ol style="list-style-type: none"> 1. Éteignez l'appareil. → <i>Page 42</i> 2. Débranchez l'appareil du secteur. Retirez la fiche du cordon d'alimentation secteur ou désactivez le fusible dans le boîtier à fusibles. 3. Raccordez à nouveau l'appareil après 5 minutes. 4. Mettez l'appareil sous tension. → <i>Page 42</i> 5. Si le dysfonctionnement persiste, appelez le Service après-vente. → <i>Page 59</i>
Le distributeur de glaçons ne fonctionne pas.	<p>La production de glaçons est désactivée.</p> <ul style="list-style-type: none"> ▶ Lancez la production de glaçons. → <i>Page 50</i> <hr/> <p>Aucune alimentation en eau.</p> <ul style="list-style-type: none"> ▶ Assurez-vous qu'il y a une alimentation en eau et que la vanne d'arrêt sur le raccordement d'eau est ouverte. <p>Contactez un installateur si nécessaire.</p> <hr/> <p>Le tube d'entrée est plié.</p> <ul style="list-style-type: none"> ▶ Fermez l'alimentation en eau et redressez le coude du tuyau d'eau. <p>Si nécessaire, remplacez le tuyau d'eau.</p> <hr/> <p>Dysfonctionnement du distributeur de glaçons.</p>

Défaut	Cause et dépannage
Le distributeur de glaçons ne fonctionne pas.	<ol style="list-style-type: none"> 1. Éteignez l'appareil. → <i>Page 42</i> 2. Débranchez l'appareil du secteur. Retirez la fiche du cordon d'alimentation secteur ou désactivez le fusible dans le boîtier à fusibles. 3. Raccordez à nouveau l'appareil après 5 minutes. 4. Mettez l'appareil sous tension. → <i>Page 42</i> 5. Si le dysfonctionnement persiste, appelez le Service après-vente. → <i>Page 59</i>
L'appareil vrombit, fait des bulles, des bourdonnements, des cliquetis, des claquements ou des grondements.	Il ne s'agit pas d'un défaut. Un moteur tourne, par ex. groupe frigorifique, ventilateur. Du fluide frigorigène circule dans les tuyaux. Le moteur, les interrupteurs, les électrovannes et les vannes à eau s'allument ou s'éteignent. Le dégivrage automatique est en cours. Les glaçons tombent dans le bac à glaçons. Aucune action nécessaire.
L'appareil émet des bruits.	<p>L'appareil ne repose pas d'aplomb.</p> <ul style="list-style-type: none"> ▶ Nivelez l'appareil à l'aide d'un niveau à bulle et des pieds à vis. <p>L'appareil n'est pas posé de manière indépendante.</p> <ul style="list-style-type: none"> ▶ Respectez les distances minimales de l'appareil. <p>Les pièces d'équipement vacillent ou se coincent.</p> <ul style="list-style-type: none"> ▶ Vérifiez les pièces d'équipement amovibles et remettez-les éventuellement en place correctement. <p>Des bouteilles ou récipients se touchent.</p> <ul style="list-style-type: none"> ▶ Écartez les récipients ou bouteilles les uns des autres. <p>La fonction Super-congélation est activée.</p> <p>Aucune action nécessaire.</p>

17.1 Panne de courant

En cas de panne de courant, la température à l'intérieur de l'appareil augmente, ce qui raccourcit la durée de conservation et réduit la qualité des aliments congelés.

Remarques

- Ouvrez l'appareil le moins possible en cas de panne de courant et ne stockez pas d'autres aliments.

- Vérifiez la qualité des aliments immédiatement après la panne de courant.
 - Jetez les aliments congelés qui sont décongelés et dont la température est supérieure à 41 °F (5 °C).
 - Faites bouillir ou frire des aliments congelés légèrement décongelés et consommez-les ou recongelez-les.

17.2 Effectuer l'auto-test de l'appareil

1. Éteindre l'appareil. → *Page 42*
2. Débranchez l'appareil du réseau électrique.
Retirez la fiche du cordon d'alimentation secteur ou désactivez le fusible dans la boîte à fusibles.
3. Raccordez l'appareil à l'alimentation électrique après 5 minutes.
4. Mettez l'appareil sous tension. → *Page 42*
5. Dans les 2 minutes qui suivent la mise sous tension, maintenez menu enfoncé pendant 10 secondes jusqu'à ce qu'un signal sonore retentisse.
 - ✓ L'auto-test de l'appareil démarre.
 - ✓ Au cours de l'auto-test, un signal sonore long retentit par intermittence.
 - ✓ Si, à la fin de l'auto-test, 2 signaux sonores retentissent et si l'affichage de la température indique la température réglée, cela signifie que votre appareil fonctionne correctement. L'appareil revient en fonctionnement normal.
 - ✓ Si vous entendez 5 signaux sonores après la fin du test automatique de l'appareil et que l'affichage des réglages du sous-menu indique **Er** contactez le service après-vente.

18 Entreposage et mise au rebut

La présente section contient des renseignements pour préparer votre appareil à l'entreposage. Elle contient également des instructions pour l'élimination d'appareils usagés.

18.1 Mettre l'appareil hors service

1. Éteindre l'appareil. → *Page 42*
2. Débranchez l'appareil du réseau électrique.
Retirez la fiche du cordon d'alimentation secteur ou désactivez le fusible dans la boîte à fusibles.
3. Débranchez l'appareil du raccordement à l'eau potable.
4. Retirez tous les aliments.
5. Démontez le filtre à eau. → *Page 49*
6. Nettoyez l'appareil. → *Page 50*
7. Afin de garantir la ventilation de l'espace intérieur, laissez l'appareil ouvert.

18.2 Éliminer un appareil usagé

L'élimination dans le respect de l'environnement permet de récupérer de précieuses matières premières.

⚠ AVERTISSEMENT

Les enfants risquent de s'enfermer dans l'appareil et de mettre leur vie en danger.

- ▶ Retirez les portes et le tiroir de l'appareil.
- ▶ Pour compliquer la pénétration des enfants dans l'appareil, ne retirez pas les clayettes et les bacs.
- ▶ Éloignez les enfants de l'appareil qui a cessé de servir.

⚠ AVERTISSEMENT

En cas d'endommagement des tuyaux, du fluide frigorigène inflammable et des gaz nocifs peuvent s'échapper et s'enflammer.

- ▶ Veillez à ne pas endommager les tubulures du circuit frigorifique, ni l'isolant.

1. Débranchez la fiche du secteur.
2. Coupez le câble de raccordement secteur.
3. Éliminez l'appareil dans le respect de l'environnement.
Pour connaître les circuits d'élimination actuels, veuillez vous adresser à votre revendeur ou à votre administration municipale.

19 Service à la clientèle

Contactez notre service à la clientèle si vous avez des questions, si vous n'arrivez pas à corriger un défaut de l'appareil ou si ce dernier doit être réparé.

Nous nous efforçons de trouver une solution qui vous convient en espérant ainsi vous épargner les visites inutiles par un technicien.

Lors de toute réparation réalisée dans le cadre de la garantie, nous nous assurons que votre appareil est réparé avec des pièces de rechange d'origine par un technicien dûment formé et agréé. Nous utilisons exclusivement des pièces de rechange d'origine lors des réparations.

Pour plus d'informations sur la durée et les conditions de la garantie dans votre pays, consultez nos modalités de garantie auprès de votre détaillant ou sur notre site Web. Si vous contactez le service à la clientèle, indiquez le numéro de modèle (E-Nr.) et le numéro de fabrication (FD) de l'appareil.

USA:

1-800-944-2904

www.bosch-home.com/us/owner-support/get-support

www.bosch-home.com/us/shop

CA:

1-800-944-2904

www.bosch-home.ca/en/service/get-support

www.bosch-home.ca/en/service/cleaners-and-accessories

Vous trouverez également de l'aide pour contacter Home Connect™ à l'adresse suivante :

www.home-connect.com/us/en/help-support/set-up

19.1 Numéro de modèle (E-Nr.) et numéro de fabrication (FD)

Le numéro de modèle (E-Nr.) et le numéro de fabrication (FD) sont indiqués sur la plaque signalétique de l'appareil.

→ "Appareil", Fig. **1/13**, Page 38

Pour retrouver rapidement les données de votre appareil et le numéro de téléphone du service à la clientèle, n'hésitez pas à les recopier ailleurs.

20 Données techniques

La plaque signalétique mentionne le fluide frigorigène, le volume utile ainsi que d'autres renseignements.

→ "Appareil", Fig. **1/13**, Page 38

Tabla de contenidos

1 Seguridad	62	8.4 Modo de ahorro energético	73
1.1 Definiciones de seguridad	62	8.5 Modo fresco	74
1.2 Indicaciones generales	62	8.6 Iluminación interior	74
1.3 Uso previsto	62	8.7 Modo Sabbath	74
1.4 Limitación del grupo de usuarios	62	8.8 Notificación de cambio de filtro	74
1.5 Transporte seguro	62	8.9 Estado de cambio de filtro	74
1.6 Instalación segura	62	9 Alarma	74
1.7 Uso seguro	63	9.1 Alarma de la puerta	74
1.8 Aparato dañado	64	9.2 Alarma de temperatura	75
1.9 Advertencias en virtud de la Proposición 65 del estado de California	64	10 Home Connect™	75
2 Evitar daños materiales	65	10.1 Conectar el aparato a la red doméstica WLAN (Wi-Fi) con la función WPS	75
3 Protección del medio ambiente y ahorro	65	10.2 Conectar el aparato a la red doméstica WLAN (Wi-Fi) sin la función WPS	76
3.1 Consejos para la eliminación del embalaje	65	10.3 Conectar el aparato con la aplicación Home Connect™	76
3.2 Ahorrar energía	65	10.4 Verificar la intensidad de la señal	76
4 Instalación y conexión	65	10.5 Instalar la actualización del software de Home Connect	76
4.1 Material entregado	65	10.6 Restablecer los ajustes de Home Connect™	77
4.2 Requisitos para seleccionar el lugar de colocación	66	10.7 Diagnóstico remoto	77
4.3 Instalación del aparato	66	10.8 Protección de datos	77
4.4 Preparar el aparato para el primer uso	66	11 Compartimiento de refrigeración	77
4.5 Conectar el aparato a la toma de agua	66	11.1 Consejos para el almacenamiento de alimentos en el compartimiento de refrigeración	77
4.6 Conectar el aparato a la red eléctrica	66	11.2 Zonas de frío del compartimiento de refrigeración	77
5 Familiarizándose con el aparato	67	12 Compartimiento fresco	78
5.1 Aparato	67	12.1 Recomendaciones de almacenamiento en el compartimiento fresco	78
5.2 Panel de control	68	13 Congelador	78
5.3 Panel de control (submenú)	69	13.1 Consejos para colocar los alimentos en el congelador	78
5.4 Panel de control (compartimiento fresco)	70	13.2 Consejos para congelar alimentos frescos	78
6 Equipamiento	70	13.3 Métodos de descongelación para productos congelados	78
6.1 Bandeja	70	14 Sistema de agua	78
6.2 Barra de equipamiento	70	14.1 Filtro de agua	78
6.3 Bandeja fija	71	14.2 Dispensador de agua	79
6.4 Cajón deslizante	71	14.3 Fabricador de cubitos de hielo	80
6.5 Cajón fresco	71	15 Descongelación	81
6.6 Separador de compartimientos	71	15.1 Desescarchar el compartimiento de refrigeración	81
6.7 Recipiente plano para productos congelados	72	15.2 Desescarchar el compartimiento fresco	81
6.8 Cajón deslizante de productos congelados	72	15.3 Descongelación dentro del congelador	81
6.9 Recipiente para transportar productos congelados	72	16 Limpieza y cuidados	81
6.10 Compartimiento para la mantequilla y el queso	72	16.1 Preparar el aparato para su limpieza	81
6.11 Estantes de la puerta para botellas	72	16.2 Limpiar el aparato	81
6.12 Depósito para cubitos de hielo	72	16.3 Retirar elementos del aparato	81
6.13 Accesorios	72	16.4 Desmontar los componentes del aparato	83
7 Manejo básico	72	17 Solucionar pequeñas averías	86
7.1 Encender el aparato	72	18 Almacenamiento y eliminación	88
7.2 Advertencias relativas al funcionamiento del aparato	72	18.1 Interrumpir el funcionamiento del aparato	88
7.3 Apagar el aparato	72	18.2 Eliminación de los aparatos usados	89
7.4 Ajustar la unidad de temperatura	72		
7.5 Ajustar la temperatura	73		
7.6 Ajustes de almacenamiento del cajón fresco	73		
8 Funciones adicionales	73		
8.1 Superfrío	73		
8.2 Supercongelación	73		
8.3 Modo vacaciones	73		

19 Servicio de atención al cliente 89
19.1 Número de modelo (E-Nr.) y número de
 fabricación (FD) 89
20 Datos técnicos 89



INSTRUCCIONES DE SEGURIDAD IMPORTANTES

LEA Y CONSERVE ESTAS INSTRUCCIONES

Tenga en cuenta las siguientes indicaciones de seguridad.

1.1 Definiciones de seguridad

Aquí puede encontrar explicaciones de las palabras de señal de seguridad utilizadas en este manual.

ADVERTENCIA

Esto indica que pueden producirse la muerte o heridas graves si no se cumple con esta advertencia.

PRECAUCIÓN

Esto indica que pueden producirse heridas leves o moderadas si no se cumple con esta advertencia.

AVISO:

Esto indica que pueden producirse daños en el aparato o en los bienes si no se cumple con este aviso.

Nota: Esto alerta sobre información o sugerencias importantes.

1.2 Indicaciones generales

- Lea atentamente estas instrucciones.
- Guarde las instrucciones y la información del producto para consultas posteriores o para el próximo propietario.
- El aparato no debe conectarse en caso de haber sufrido daños durante el transporte.

1.3 Uso previsto

Utilizar este aparato solo:

- para refrigerar y congelar alimentos, así como para preparar cubitos de hielo y extraer agua.
- en el uso doméstico privado y en espacios cerrados del entorno doméstico.
- hasta a una altura de 13,100 ft (4000 m) sobre el nivel del mar.

1.4 Limitación del grupo de usuarios

Este aparato no está diseñado para ser utilizado por personas (incluidos niños) con capacidades físicas, sensoriales o mentales reducidas, o falta de experiencia y conocimiento, a menos que sean supervisados o instruidos acerca del uso del aparato por una persona responsable de su seguridad.

Impida que los niños jueguen con el aparato.

La limpieza y el cuidado del aparato a cargo del usuario no deberán ser efectuados por niños si no cuentan con la supervisión de una persona adulta responsable.

1.5 Transporte seguro

ADVERTENCIA

El elevado peso del aparato podría causar lesiones al levantarlo.

- ▶ Levantar el aparato solamente con ayuda de otra persona.

1.6 Instalación segura

ADVERTENCIA

Las instalaciones incorrectas son peligrosas.

- ▶ Conectar y poner en funcionamiento el aparato solo de conformidad con los datos que figuran en la placa de características.
- ▶ Conectar el aparato solo a una fuente de alimentación con corriente alterna a través de una toma de corriente instalada reglamentariamente y provista de puesta a tierra.
- ▶ La conexión de puesta a tierra de la instalación eléctrica doméstica debe estar instalada de acuerdo con las normas vigentes.
- ▶ No alimentar nunca el aparato a través de un dispositivo de conmutación externo, como por ejemplo, un reloj avisador o un mando remoto.
- ▶ Cuando el aparato esté montado, el enchufe del cable de conexión de red debe quedar accesible, o, en caso de que no pueda quedar accesible, debe instalarse un dispositivo de separación omnipolar en la instalación eléctrica fija, de acuerdo con las normas de instalación.
- ▶ Al instalar el aparato debe prestarse atención a que el cable de conexión de red no quede atrapado ni se dañe.

Un aislamiento dañado del cable de conexión de red es peligroso.

- ▶ Evite que el cable de conexión de red entre en contacto con fuentes de calor.



INSTRUCCIONES DE SEGURIDAD IMPORTANTES

LEA Y CONSERVE ESTAS INSTRUCCIONES

ADVERTENCIA

Si las aberturas de ventilación del aparato se encuentran cerradas, puede generarse una mezcla inflamable de aire y gas si se produce una fuga en el circuito de enfriamiento.

- ▶ No cerrar las aberturas de ventilación de la carcasa del aparato o de la carcasa de la instalación.

ADVERTENCIA

Utilizar un cable de conexión de red prolongado y adaptadores no autorizados es peligroso.

- ▶ No utilizar cables de prolongación ni regletas de tomas de corriente múltiples.
- ▶ Si el cable de conexión de red es demasiado corto, ponerse en contacto con el servicio de atención al cliente.
- ▶ Utilizar solo adaptadores autorizados por el fabricante. Las unidades de alimentación o las tomas de corriente múltiples, móviles, pueden sobrecalentarse y provocar incendios.
- ▶ No colocar las unidades de alimentación o las tomas de corriente múltiples móviles en la parte posterior de los aparatos.

1.7 Uso seguro

ADVERTENCIA

La penetración de humedad puede causar una descarga eléctrica.

- ▶ El aparato solo debe utilizarse en espacios interiores.
- ▶ No exponer el aparato a fuentes intensas de calor y humedad.
- ▶ No utilizar limpiadores por chorro de vapor ni de alta presión para limpiar el aparato.

ADVERTENCIA

Los niños pueden ponerse el material de embalaje por encima de la cabeza, o bien enrollarse en él, y asfixiarse.

- ▶ Mantener el material de embalaje fuera del alcance de los niños.
- ▶ No permita que los niños jueguen con el material de embalaje.

Los niños pueden inhalar o ingerir pequeñas piezas y asfixiarse.

- ▶ Mantener las piezas pequeñas fuera del alcance de los niños.
- ▶ No permita que los niños jueguen con piezas pequeñas.

ADVERTENCIA

Los dispositivos mecánicos, p. ej., los objetos afilados y puntiagudos, y otros medios pueden dañar el ciclo de refrigeración; pueden provocarse fugas del líquido refrigerante inflamable y producirse una explosión.

- ▶ Para acelerar la descongelación, no utilizar ningún otro dispositivo mecánico u otro medio distinto a los recomendados por el fabricante.

Los productos que contienen gases propelentes o inflamables y las materias explosivas pueden causar una explosión (por ejemplo, aerosoles).

- ▶ No guardar productos que contengan gases propelentes o inflamables ni materias explosivas en el aparato.

ADVERTENCIA

Los dispositivos eléctricos en el interior del aparato pueden provocar incendios (por ejemplo, calefactores, fábricas de hielo, etc.).

- ▶ No poner en funcionamiento dispositivos eléctricos en el interior del aparato.

ADVERTENCIA

Los envases con bebidas carbonatadas pueden estallar.

- ▶ No guardar en el compartimiento fresco envases que contengan líquidos gaseosos por debajo de 34 °F (1 °C).
- ▶ No almacenar envases con bebidas carbonatadas en el congelador.

Riesgo de lesiones en los ojos debido a la salida de líquido refrigerante inflamable y gases nocivos.

- ▶ No dañe las tuberías del circuito de refrigeración y aislamiento.

El aparato puede volcar.

- ▶ No pisar ni apoyarse sobre el pedestal, cajones o puertas.

ADVERTENCIA

El contacto con productos congelados y superficies frías puede provocar quemaduras por el frío.

- ▶ No introducir nunca en la boca directamente los alimentos congelados extraídos del congelador.
- ▶ Evitar el contacto prolongado de la piel con los alimentos congelados, el hielo y las superficies del congelador.



INSTRUCCIONES DE SEGURIDAD IMPORTANTES

LEA Y CONSERVE ESTAS INSTRUCCIONES

PRECAUCIÓN

Para evitar la contaminación de los alimentos, se deben tener en cuenta las siguientes indicaciones.

- ▶ Si se abre la puerta durante un tiempo prolongado, se puede producir un aumento considerable de la temperatura en los compartimientos del aparato.
- ▶ Limpiar regularmente las superficies que puedan entrar en contacto con alimentos y sistemas de drenado accesibles.
- ▶ Enjuagar el sistema de agua si no se ha extraído agua durante cinco días.
- ▶ Guardar el pescado y la carne cruda en recipientes apropiados en el refrigerador con el fin de que no entren en contacto con otros alimentos ni goteen sobre ellos.
- ▶ Si el refrigerador/congelador está vacío durante mucho tiempo, apagar, descongelar, limpiar y dejar la puerta abierta para evitar la creación de moho.

Las piezas metálicas o con aspecto metálico pueden contener aluminio. Si algún alimento ácido entra en contacto con el aluminio presente en el aparato, los iones de aluminio podrían traspasarse a los alimentos.

- ▶ No consumir alimentos contaminados.

1.8 Aparato dañado

ADVERTENCIA

Un aparato dañado o un cable de conexión defectuoso son peligrosos.

- ▶ No poner nunca en funcionamiento un aparato dañado.
- ▶ No jalar nunca el cable de conexión a la red eléctrica para desenchufar el aparato. Desenchufar siempre el cable de conexión de red de la toma de corriente.
- ▶ Si el aparato o el cable de conexión de red están dañados, desenchufar inmediatamente el cable de conexión de red o desconectar el fusible de la caja de fusibles y cerrar la llave del agua.
- ▶ Avisar al servicio de atención al cliente. → *Página 89*

Las reparaciones indebidas son peligrosas.

- ▶ Solo se pueden utilizar repuestos originales para reparar el aparato.
- ▶ Si el cable de conexión de red de este aparato resulta dañado, éste debe sustituirse por un cable de conexión especial que puede adquirirse directamente a través del fabricante o de su servicio de atención al cliente.

ADVERTENCIA



Si las tuberías están dañadas, se puede escapar refrigerante inflamable y gases nocivos, lo que puede provocar un incendio.

- ▶ Mantener las fuentes de fuego o focos de ignición alejados del aparato.
- ▶ Ventilar la estancia.
- ▶ Apagar el aparato. → *Página 72*
- ▶ Extraer el enchufe del cable de conexión de red o quitar el fusible de la caja de fusibles.
- ▶ Avisar al Servicio de atención al cliente. → *Página 89*

1.9 Advertencias en virtud de la Proposición 65 del estado de California

Este producto puede contener un químico que el Estado de California reconoce como potencialmente cancerígeno o causante de daños reproductivos. Por tanto, su producto debe llevar en su embalaje la siguiente etiqueta de conformidad con la legislación de California:

STATE OF CALIFORNIA PROPOSITION 65 WARNING: /
AVERTISSEMENT ISSUE DE LA PROPOSITION 65
DE L'ÉTAT DE LA CALIFORNIE:

 **WARNING /
AVERTISSEMENT**

Cancer and Reproductive Harm / Cancer et dommages à la
reproduction - www.P65Warnings.ca.gov.

2 Evitar daños materiales

AVISO:

Al desplazar el aparato, debido a su elevado peso, el piso puede resultar dañado.

- ▶ Para evitar esto al desplazar el aparato, deben utilizarse una carretilla y colocar algo para proteger el piso.

Al cerrar la puerta del aparato, este puede resultar dañado si el montante de puerta está abierto.

- ▶ No debe abrirse el montante de puerta manualmente.
- ▶ Si el montante de puerta está abierto, este debe cerrarse antes de cerrar la puerta del aparato.

Al subirse o apoyarse sobre pedestales, cajones o puertas, se puede dañar el aparato.

- ▶ No pisar ni apoyarse sobre el pedestal, cajones o puertas.

Una presión de agua demasiado baja o elevada puede influir negativamente en el funcionamiento del aparato.

- ▶ Es preciso asegurarse de que la presión de agua del dispositivo de suministro de agua sea de 29 psi (200 kPa) como mínimo y de 116 psi (800 kPa) como máximo.
- ▶ Si la presión del agua excede el valor máximo indicado, se debe instalar una válvula de reducción de presión entre la toma de agua y el juego de mangueras del aparato.

Las mangueras de agua modificadas o dañadas pueden causar daños a la propiedad o al aparato.

- ▶ No doblar, aplastar, modificar ni cortar las mangueras de agua.
- ▶ No reutilizar nunca las mangueras de agua ya usadas.
- ▶ No jalar nunca la manguera de agua de la parte trasera del aparato.

La suciedad con aceite o grasa puede crear poros en las piezas de plástico y las juntas de las puertas.

- ▶ Mantener las piezas de plástico y juntas de goma limpias de aceites y grasas.

Las piezas metálicas o con aspecto metálico pueden contener aluminio. El aluminio reacciona al contacto con alimentos ácidos.

- ▶ No guardar alimentos sin envasar en el aparato.

3 Protección del medio ambiente y ahorro

3.1 Consejos para la eliminación del embalaje

Todos los materiales del embalaje son ecológicos y reciclables.

- ▶ Desechar los diferentes materiales separados según su naturaleza.

3.2 Ahorrar energía

Si tiene en cuenta estas indicaciones, su aparato consumirá menos corriente.

Selección del lugar de colocación

- Proteger el aparato de la radiación solar directa.
- Instalar el aparato con la mayor distancia posible respecto a radiadores, hornos y otras fuentes de calor:
 - Mantener una distancia de 1¹/₄" (30 mm) respecto a estufas de gas o eléctricas.
 - Mantener una distancia de 11¹³/₁₆" (300 mm) respecto a hornos de carbón o aceite.
- No cubrir ni bloquear nunca las rejillas de ventilación exteriores.

Ahorro de energía durante el funcionamiento

Nota: La disposición de las piezas de equipo no afectará el consumo de energía de aparato.

- No mantener abierto el aparato durante mucho tiempo.
- No cubrir ni bloquear nunca las aberturas de ventilación interiores o las rejillas de ventilación exteriores.
- Transportar los alimentos en una bolsa isotérmica y colocarlos inmediatamente en el congelador.
- Dejar enfriar los alimentos o bebidas calientes hasta la temperatura ambiente antes de almacenarlos.
- Descongelar los productos congelados en el interior del compartimiento de refrigeración para aprovechar el frío desprendido por los mismos.
- Dejar siempre un poco de espacio entre los alimentos y el panel posterior.
- Abrir brevemente el congelador y cerrar correctamente.
- Aspirar el polvo de las rejillas de ventilación exteriores.

4 Instalación y conexión

4.1 Material entregado

Después de desembalar el aparato, verificar que ninguna pieza haya sufrido daños durante el transporte y que el volumen de suministro esté completo.

Si tiene alguna queja deberá dirigirse al distribuidor en donde adquirió su electrodoméstico o a nuestro servicio de atención al cliente → *Página 89*.

El volumen de suministro (la entrega) consta de:

- Aparato de libre instalación
- Equipamiento y accesorios¹
- Material para instalación
- Instrucciones de instalación
- Manual de instrucciones
- Declaración de garantía limitada del producto
- Documento de la garantía²
- Etiqueta energética
- Informaciones sobre el consumo de energía y los ruidos del aparato
- Información acerca de Home Connect™

¹ Según el equipamiento del aparato

² No disponible en todos los países

4.2 Requisitos para seleccionar el lugar de colocación

ADVERTENCIA

Si el aparato se encuentra en un espacio demasiado pequeño, puede generarse una mezcla inflamable de aire y gas en caso de una fuga del circuito de enfriamiento.

- ▶ Colocar el aparato en espacios que tengan un volumen mínimo de 35 pies cúbicos (1 m³) por 0.3 oz (8 g) de líquido refrigerante. La cantidad de refrigerante se indica en la placa de características. → "Aparato", Fig.

1/13, *Página 68*

El peso de fábrica del aparato puede alcanzar, en función del modelo concreto, hasta las 345 lb (155 kg).

Para soportar el peso del dispositivo, la superficie debe ser lo suficientemente estable.

4.3 Instalación del aparato

- ▶ Instalar el aparato siguiendo las instrucciones de instalación adjuntas.

4.4 Preparar el aparato para el primer uso

1. Retirar el material informativo.
2. Retirar las láminas protectoras y los seguros de transporte, p. ej., la cinta adhesiva y la caja.
3. Efectuar una primera limpieza del aparato.

→ *Página 81*

4.5 Conectar el aparato a la toma de agua

Requisitos

- Se debe instalar una válvula de cierre en la conexión a la toma de agua y se debe poder acceder libremente a ella una vez instalado el aparato.
- Se debe comprobar la conexión a la toma de agua, y que el agua es de calidad.

1. Enjuagar bien la toma de agua hasta que no haya acumulaciones y el agua salga limpia.

Instalar un sistema de filtro de agua exterior en caso de que haya sedimentos persistentes o el agua siga enturbiada.

2. Instalar la toma de agua según las instrucciones de montaje adjuntas.

4.6 Conectar el aparato a la red eléctrica

1. Insertar el enchufe IEC del cable de conexión de red en el aparato.
2. Introducir el enchufe del cable de conexión de red del aparato en una toma de corriente cerca del aparato.

Los datos de conexión del aparato se encuentran en la placa de características. → "Aparato", Fig. **1/13**, *Página 68*

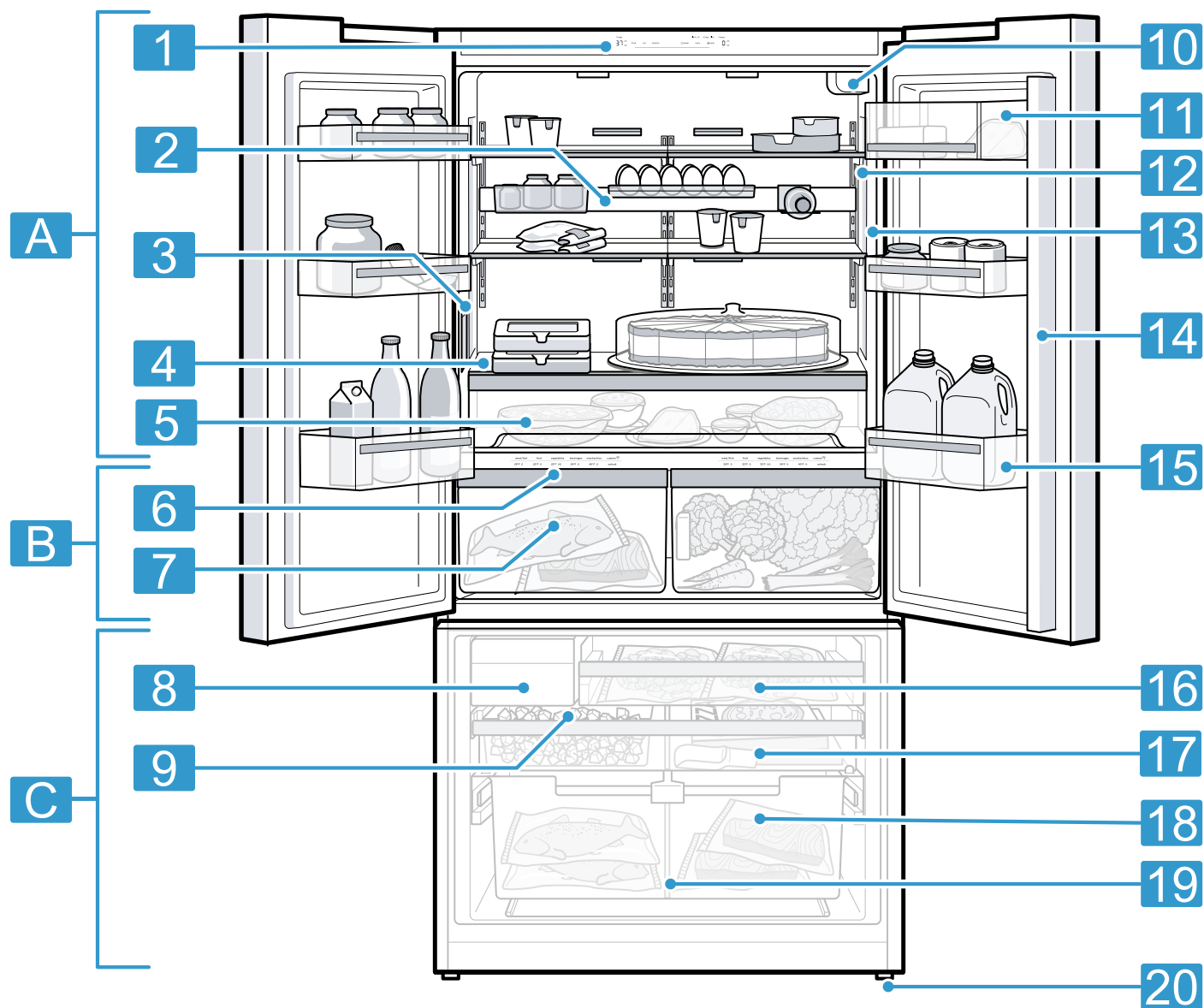
3. Comprobar el asiento firme del enchufe.

✓ El aparato está listo para su uso.

5 Familiarizándose con el aparato

5.1 Aparato

Aquí encontrará una vista general de los componentes de su aparato.



1

A Compartimiento de refrigeración → *Página 77*

B Compartimento fresco → *Página 78*

C Congelador → *Página 78*

1 Panel de control → *Página 68*

2 Barra de equipamiento → *Página 70*

3 Dispensador de agua → *Página 79*

4 Bandeja fija → *Página 71*

5 Cajón deslizante → *Página 71*

6 Panel de control (compartimento fresco) → *Página 70*

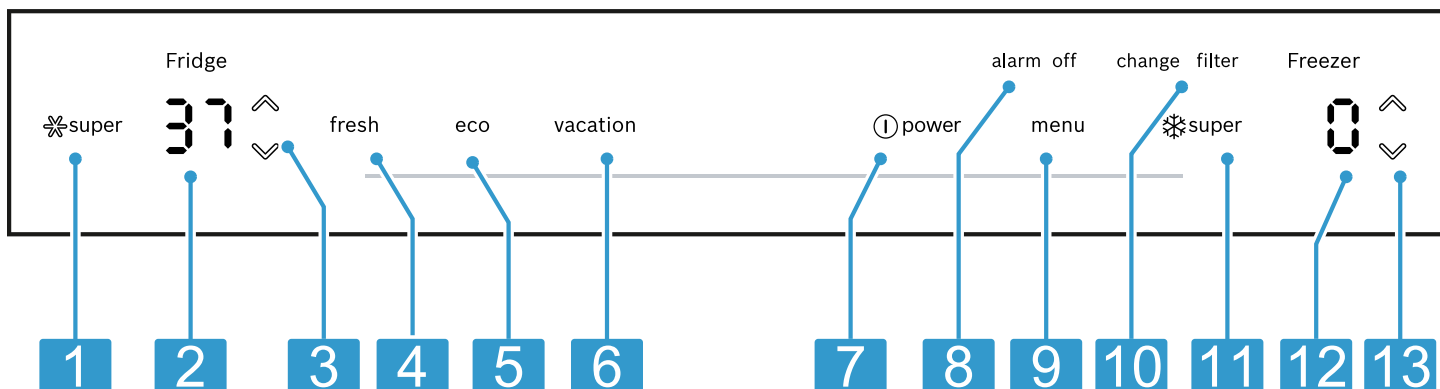
7	Cajón fresco
8	Fabricador de cubitos de hielo
9	Depósito para cubitos de hielo → <i>Página 72</i>
10	Filtro de agua → <i>Página 78</i>
11	Compartimiento para la mantequilla y el queso → <i>Página 72</i>
12	Iluminación interior
13	Placa de características → <i>Página 89</i>
14	Montante de puerta con protección contra condensación → <i>Página 65</i>

15	Estantes de la puerta para botellas grandes → <i>Página 72</i>
16	Cajón deslizante para productos congelados → <i>Página 72</i>
17	Recipiente plano para productos congelados → <i>Página 72</i>
18	Recipiente para transportar productos congelados → <i>Página 72</i>
19	Separador de compartimientos → <i>Página 71</i>
20	Pata atornillada

Nota: Es posible que las ilustraciones muestren detalles y características de equipamiento y tamaño que no concuerdan con las de su aparato concreto.

5.2 Panel de control

A través del panel de control se ajustan todas las funciones de su aparato y se obtiene información sobre el estado de funcionamiento.

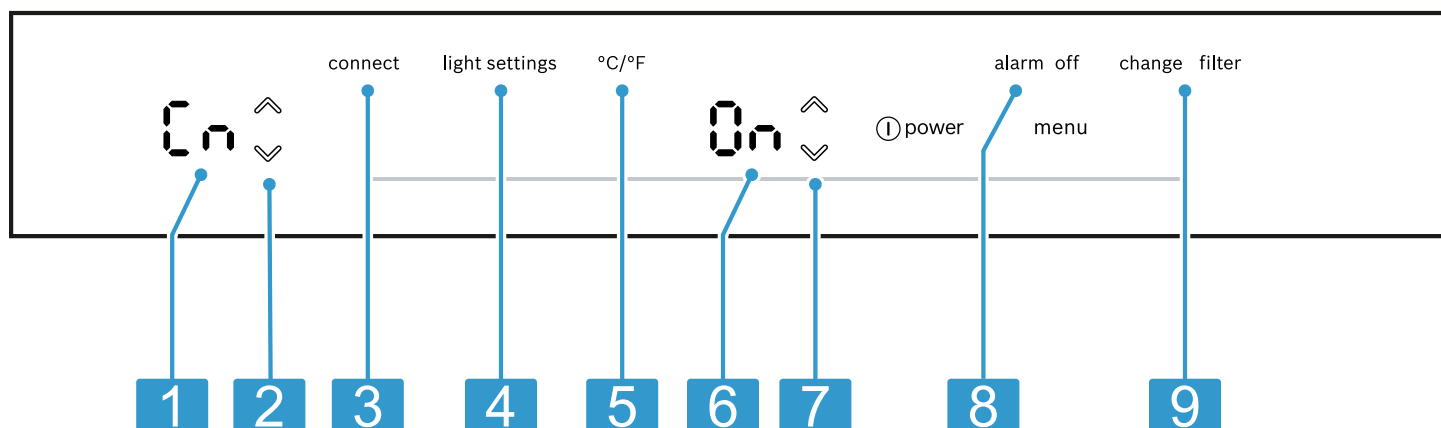


2	
1	❄️super activa o desactiva Superfrío.
2	Muestra la temperatura del compartimiento de refrigeración ajustada en °F o °C.
3	↕/↗ (compartimiento de refrigeración) permiten ajustar la temperatura del compartimiento de refrigeración.
4	fresh activa y desactiva el modo Fresco.
5	eco activa o desactiva el modo de ahorro de energía.
6	vacation activa y desactiva el modo Vacaciones.

7	Ⓛpower enciende y apaga el aparato.
8	alarm off desactiva la alarma.
9	menu abre y cierra el menú.
10	change filter se ilumina cuando se debe cambiar el filtro.
11	❄️super activa o desactiva Supercongelación.
12	Muestra la temperatura del compartimiento de congelación ajustada en °F o °C.
13	↕/↗ (congelador) permiten ajustar la temperatura del congelador.

5.3 Panel de control (submenú)

Es posible realizar más ajustes en el submenú.

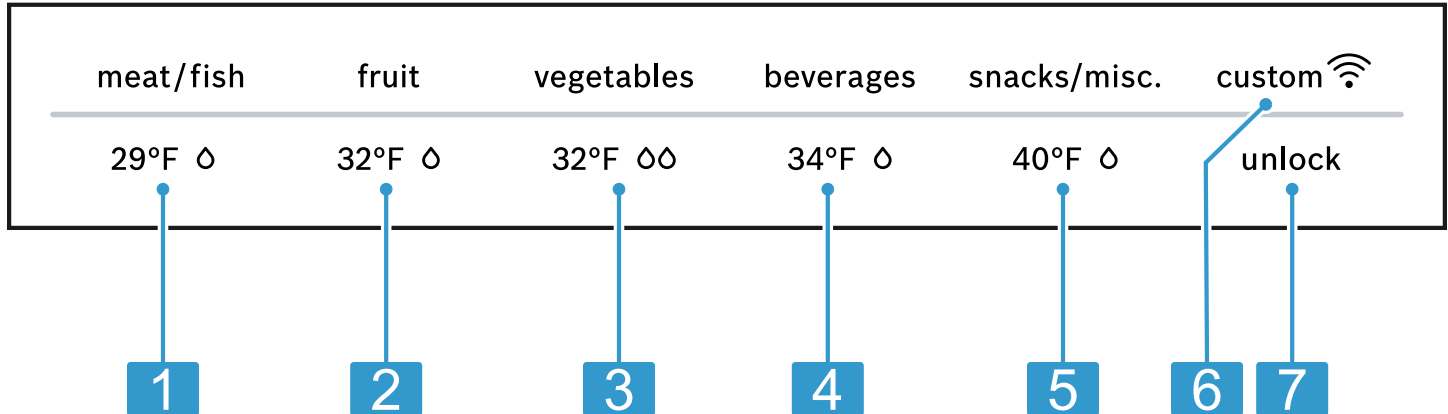


3

- | | | | |
|----------|--------------------------------------------------------------|----------|-----------------------------------------------------------------|
| 1 | Muestra el submenú ajustado. | 5 | °C/°F abre el menú de modificación de la unidad de temperatura. |
| 2 | ↕/↗ (submenú) sirve para navegar por el submenú. | 6 | Muestra el ajuste del submenú. |
| 3 | menu abre el menú para realizar los ajustes de Home Connect. | 7 | ↕/↗ (ajuste del submenú) modifica el ajuste del submenú. |
| 4 | light settings abre el menú para ajustar la iluminación. | 8 | alarm off abre el menú para ajustar la alarma de la puerta. |
| | | 9 | change filter abre el menú para ajustar el filtro. |

5.4 Panel de control (compartimiento fresco)

Mediante el panel de control del compartimiento fresco se puede ajustar la temperatura y la humedad en el compartimiento fresco.



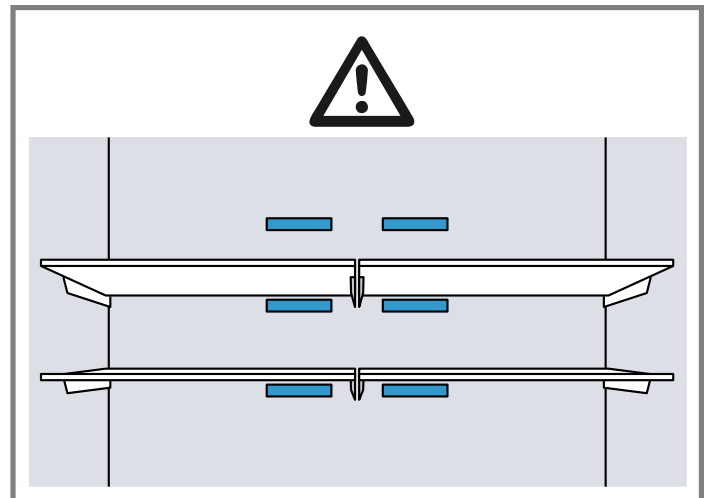
- 1** 29°F ◊ Configura el ajuste de almacenamiento del cajón fresco para carne y pescado.
- 2** 32°F ◊ Configura el ajuste de almacenamiento del cajón fresco para fruta.
- 3** 32°F ◊◊ Configura el ajuste de almacenamiento del cajón fresco para verdura.
- 4** 34°F ◊ Configura el ajuste de almacenamiento del cajón fresco para bebidas.
- 5** 40°F ◊ Configura el ajuste de almacenamiento del cajón fresco para bocadillos.
- 6** custom se ilumina cuando se establecen los ajustes definidos por el usuario mediante la aplicación Home Connect™. Para más información, consultar la aplicación Home Connect™.
- 7** unlock Desactiva el bloqueo de las teclas del panel de control (compartimiento fresco).

Si se desea modificar la posición de las bandejas según sea necesario, es posible retirarlas y volver a colocarlas en otro lugar.

→ "Retirar las bandejas", Página 81

Nota

No cubrir las aberturas de ventilación interiores.



6 Equipamiento

El equipamiento del aparato depende del modelo.

6.1 Bandeja

AVISO:

Los ganchos de la bandeja pueden rayar el panel posterior del compartimiento de refrigeración si se enganchan inclinados.

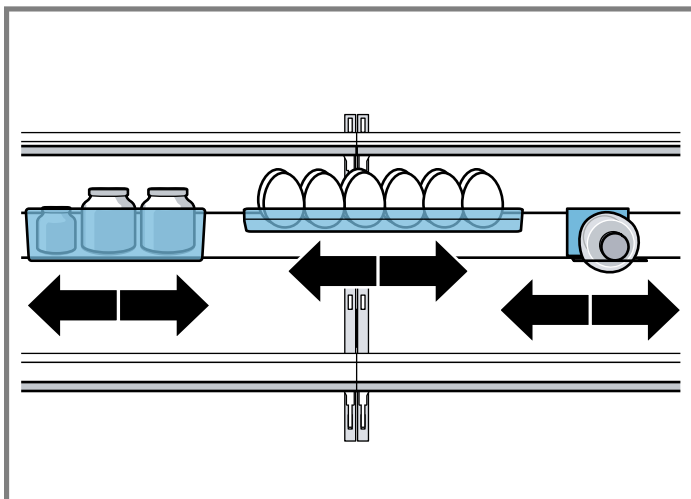
- ▶ Asegurarse de que la bandeja esté en posición horizontal y de que los ganchos estén totalmente enganchados.

6.2 Barra de equipamiento

La barra de equipamiento ofrece espacio de almacenamiento adicional en el interior del compartimiento de refrigeración mediante los componentes de equipamiento:

- Guardar una botella en el estante para botellas con total seguridad.
- Guardar tarros en el recipiente.
- Guardar una caja de huevos en la bandeja.

Es posible colocar los componentes de equipamiento en cualquier parte de la barra de equipamiento.



AVISO:

Los ganchos de la barra de equipamiento pueden rayar el panel posterior del compartimiento de refrigeración si se enganchan inclinados.

- ▶ Asegurarse de que la barra de equipamiento esté en posición horizontal y de que los ganchos estén totalmente enganchados.

La barra de equipamiento se puede retirar y colocar en otro lugar.

→ "Extraer la barra de equipamiento", Página 81

Consejo Colocar la barra de equipamiento en el centro del compartimiento de refrigeración.

6.3 Bandeja fija

Colocar la bandeja fija siempre en la posición indicada.

6.4 Cajón deslizable

Guardar tapados los platillos grandes o los recipientes planos con alimentos preparados en el cajón deslizable.

6.5 Cajón fresco

Para ajustar automáticamente en el cajón fresco la temperatura y la humedad del aire para los alimentos, utilizar los diferentes ajustes de almacenamiento del compartimiento fresco.

Guardar frutas y verduras frescas sin envasar en el cajón fresco.

Tapar la fruta y la verdura cortadas o almacenarlas en envases herméticos.

Por motivos de higiene, no almacenar fruta y verdura con carne y pescado juntos en el cajón fresco.

Para que la tapa del cajón fresco no se desenganche, colocar los alimentos con una altura máxima que quede por debajo del borde del cajón.

Dependiendo de la cantidad y el tipo de alimento guardado, puede formarse agua de condensación en el cajón fresco.

Eliminar el agua de condensación con un paño seco.

Para conservar la calidad y el sabor de las frutas y hortalizas sensibles al frío (p. ej. piñas, plátanos, cítricos, pepinos, calabacitas, pimientos, tomates y papas), se

recomienda almacenarlas fuera del aparato a una temperatura aproximada de entre 46 °F (8 °C) y 54 °F (12 °C).

6.6 Separador de compartimientos

⚠ ADVERTENCIA

Los niños podrían intentar subirse al aparato y sufrir lesiones (p. ej. asfixia).

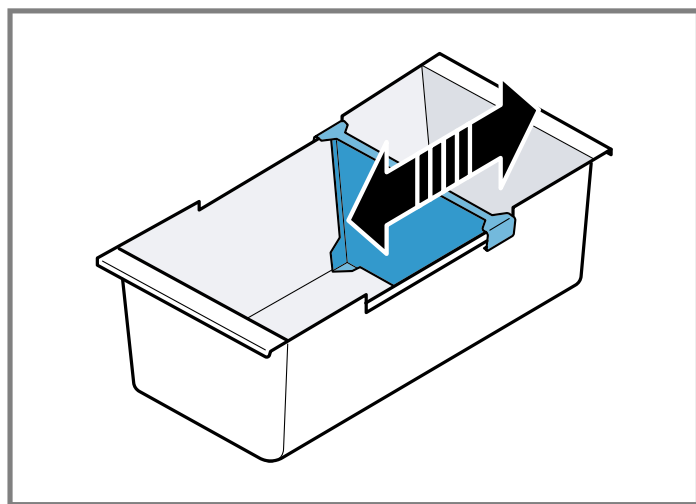
- ▶ No retirar el separador de compartimientos del recipiente para transportar productos congelados;

AVISO:

al hacerlo, podría dañarse.

- ▶ No retirar el separador de compartimientos del recipiente para transportar productos congelados.

Para modificar la distribución del recipiente a fin de transportar productos congelados, es posible desplazar el separador de compartimientos.



6.7 Recipiente plano para productos congelados

Los productos congelados, el depósito para cubitos y la pala para hielo se pueden almacenar en el recipiente plano para productos congelados.

6.8 Cajón deslizante de productos congelados

Para obtener una mejor vista general y para retirar productos congelados más rápidamente, se puede extraer el cajón deslizante de productos congelados.

6.9 Recipiente para transportar productos congelados

Almacenar los productos congelados de gran tamaño en el recipiente para transportar productos congelados.

6.10 Compartimiento para la mantequilla y el queso

Guardar la mantequilla y el queso en su compartimiento específico.

6.11 Estantes de la puerta para botellas

Los estantes para botellas pueden retirarse y recolocarse en otro lugar para modificar su posición según sea necesario.

→ "Retirar el botellero de puerta", *Página 82*

6.12 Depósito para cubitos de hielo

Cuando la producción de cubitos de hielo está activada, se guardan cubitos de hielo automáticamente en el depósito para cubitos.

AVISO:

El dispositivo fabricante de cubitos de hielo puede resultar dañado o bloqueado si se introducen alimentos u objetos en el depósito para cubitos.

- ▶ No colocar nunca alimentos ni objetos en el depósito para cubitos.

6.13 Accesorios

Utilizar accesorios originales. Están diseñados para su aparato.

Los accesorios del aparato dependen del modelo.

Absorbente de etileno

Se incluyen importantes indicaciones de seguridad e información sobre el montaje y la utilización en las instrucciones adjuntas de montaje y de uso del absorbente de etileno.

El absorbente de etileno ralentiza la maduración de frutas y verduras, que son sensibles a esta sustancia, para mantenerlas frescas durante más tiempo.

Colocar el absorbente de etileno

- ▶ Colocar el absorbente de etileno según las instrucciones de montaje y de uso del mismo.

Utilizar el juego de reabastecimiento

1. Montar las piezas del kit de reabastecimiento según las instrucciones de montaje y de uso del absorbente de etileno.
2. Una vez activado, cambiar la bolsa y el temporizador cada 6 meses.

Nota: Los kits de reabastecimiento incluyen bolsas y un temporizador y pueden adquirirse a través del Servicio de atención al cliente, de los distribuidores o de nuestra página web.


Pala para hielo

La pala para hielo permite retirar una porción de cubitos de hielo.

7 Manejo básico

7.1 Encender el aparato

1. Conectar el aparato a la red eléctrica. → *Página 66*

Nota: Si el aparato se ha apagado previamente con el panel de control, presionar  power.

- ✓ El aparato comienza a enfriar.
2. Desactivar la señal acústica con alarm off.
 - ✓ alarm off se apaga tan pronto como se ha alcanzado la temperatura ajustada.
 3. Ajustar la temperatura deseada. → *Página 73*

7.2 Advertencias relativas al funcionamiento del aparato



- Una vez encendido el aparato, transcurren varias horas hasta que se alcanza la temperatura ajustada. No introducir alimentos en el aparato antes de alcanzar la temperatura ajustada.
- Los lados frontales y las paredes laterales del aparato se calientan ligeramente en ocasiones. De esta forma, se evita la formación de agua de condensación.
- Cuando se cierra la puerta, puede generarse presión negativa. La puerta se vuelve a abrir con dificultad. Esperar un momento hasta que la presión se estabilice.

7.3 Apagar el aparato

- ▶ Presionar  power.


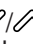
7.4 Ajustar la unidad de temperatura

Es posible elegir entre °F y °C como unidades de temperatura.

1. Presionar menu.
2. Presionar °C/°F.
3. Presionar  /  (ajuste del submenú) hasta que el indicador de ajustes del submenú muestre F o C.
4. Presionar menu.


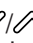
7.5 Ajustar la temperatura

Ajustar la temperatura del compartimiento refrigerador

- ▶ Presionar / (compartimiento de refrigeración) varias veces hasta que la indicación de temperatura (compartimiento de refrigeración) muestre la temperatura deseada.

La temperatura recomendada del compartimiento de refrigeración asciende a 37 °F (3 °C).

Ajustar la temperatura del compartimiento congelador

- ▶ Presionar / (congelador) varias veces hasta que la indicación de temperatura (congelador) muestre la temperatura deseada.

La temperatura recomendada del congelador es de 0 °F (-18 °C).

7.6 Ajustes de almacenamiento del cajón fresco

Es posible ajustar la temperatura y la humedad del aire en el cajón fresco por medio de ajustes de almacenamiento predefinidos.

Consejo Hay más ajustes disponibles en la aplicación Home Connect™.

Configurar los ajustes de almacenamiento del cajón fresco

1. Presionar cualquier casilla táctil del panel de control (compartimiento fresco).
2. Mantener presionada la tecla **unlock** hasta que se ilumine completamente la barra luminosa.
3. Presionar en el ajuste de almacenamiento deseado.

8 Funciones adicionales



8.1 Superfrío

Mediante la función Superfrío, el compartimiento de refrigeración se enfría hasta alcanzar la temperatura más baja posible.

Encender Superfrío antes de almacenar grandes cantidades de alimentos.


Nota: Estando activada la función Superfrío, el nivel sonoro del aparato puede aumentar.

Activar Superfrío

- ▶ Presionar ^{super}.
- ✓ ^{super} se ilumina.

Nota: La función se desactiva automáticamente pasadas unas 6 horas y el aparato vuelve al funcionamiento normal.

Desactivar Superfrío

- ▶ Presionar ^{super}.
- ✓ Se muestra la temperatura ajustada anteriormente.

8.2 Supercongelación



Con la función Supercongelación, el congelador enfría a la temperatura más baja posible.

Activar Supercongelación entre una y dos horas antes de almacenar una cantidad de alimentos de 4.4 lb (2 kg) o superior en el congelador.

Utilizar Supercongelación para acelerar la producción de cubitos de hielo.


Nota: Estando activada la función Supercongelación, el nivel sonoro del aparato puede aumentar.

Activar Supercongelación

- ▶ Presionar ^{super}.
- ✓ ^{super} se ilumina.

Nota: La función se desactiva automáticamente pasadas unas 8 horas y el aparato vuelve al funcionamiento normal.

Desactivar Supercongelación

- ▶ Presionar ^{super}.
- ✓ Se muestra la temperatura ajustada anteriormente.

8.3 Modo vacaciones

En caso de ausentarse durante un largo período de tiempo, puede activarse el modo de vacaciones.

PRECAUCIÓN

Mientras está activado el modo vacaciones, el compartimiento de refrigeración se calienta. El aumento de la temperatura puede contribuir a la proliferación de bacterias y a que se echen a perder los alimentos.

- ▶ Si está activo el modo vacaciones, no deben guardarse alimentos en el compartimiento de refrigeración.

El aparato reajusta automáticamente las siguientes temperaturas.

Compartimiento de refrigeración	43 °F (6 °C)
Compartimiento fresco	40 °F (4 °C)
Congelador	Temperatura sin cambios

Nota: Durante el modo de vacaciones, se desactivan la producción de cubitos de hielo y el dispensador de agua.

Activar el modo vacaciones

- ▶ Presionar vacation.
- ✓ vacation se ilumina.

Desactivar el modo vacaciones

- ▶ Presionar vacation.
- ✓ Se muestra la temperatura ajustada anteriormente.

8.4 Modo de ahorro energético

Con el modo de ahorro de energía el aparato pasa al funcionamiento de ahorro de energía.

El aparato reajusta automáticamente las siguientes temperaturas.

Compartimiento de refrigeración	43 °F (6 °C)
---------------------------------	--------------

Compartimiento fresco	32 °F (0 °C)
Congelador	6 °F (-14 °C)

Activar el modo de ahorro de energía

- ▶ Presionar eco.
- ✓ eco se ilumina.

Desactivar el modo de ahorro de energía

- ▶ Presionar eco.
- ✓ Se muestra la temperatura ajustada anteriormente.

8.5 Modo fresco

Para mantener frescos los alimentos durante más tiempo, puede activarse el modo fresco del aparato. El aparato reajusta automáticamente las siguientes temperaturas.

Compartimiento de refrigeración	36 °F (2 °C)
Compartimiento fresco	32 °F (0 °C)
Congelador	Temperatura sin cambios

Activar el modo fresco

- ▶ Presionar fresh.
- ✓ fresh se ilumina.

Desactivar el modo fresco

- ▶ Presionar fresh.
- ✓ Se muestra la temperatura ajustada anteriormente.

8.6 Iluminación interior

Es posible desactivar la iluminación interior o ajustar el brillo.

	Iluminación interior desactivada
	brillo mínimo
	brillo máximo

Ajustar la iluminación interior

1. Presionar menu.
2. Presionar light settings.
3. Presionar (ajuste del submenú) hasta que el indicador de ajustes del submenú muestre el ajuste deseado.
4. Presionar menu.

8.7 Modo Sabbat

Con el modo Sabbat, se desconectan todas las funciones que no son necesarias para el uso del aparato durante el Sabbat.

Durante el modo Sabbat, las siguientes funciones permanecen desconectadas:

- Superfrío
- Supercongelación
- Alarma
- Dispensador de agua
- Producción de cubitos de hielo
- Iluminación interior
- Señales acústicas

- Mensajes del panel de control

Nota: Durante el modo Sabbat, se atenúa la iluminación del panel de control.

Activar el modo Sabbat

- ▶ Mantener presionado vacation durante diez segundos hasta que suene una señal acústica.
- ✓ alarm se ilumina.

Nota: Después de aproximadamente 80 horas, el aparato vuelve a funcionamiento normal.

Apagar el modo Sabbat

- ▶ Mantener presionado alarm durante cinco segundos hasta que suene una señal acústica.

8.8 Notificación de cambio de filtro

La notificación de cambio de filtro se activa cada seis meses. change filter se ilumina.

Nota: Si aumenta el consumo de agua, la notificación de cambio de filtro se activa antes.

Desactivar la notificación de cambio de filtro

1. Sustituir el filtro de agua.
La tapa con bypass no debe sustituirse.
2. Mantener presionado change filter durante tres segundos.
✓ change filter se apaga.
✓ El estado de cambio del filtro se ha restablecido.

8.9 Estado de cambio de filtro

Si se sustituye el filtro antes de que se emita la notificación para cambiarlo, es preciso restablecer el estado de cambio de filtro.

	Medición del estado de cambio del filtro en curso
	Restablecer el estado de cambio de filtro

Restablecer el estado de cambio de filtro

1. Presionar menu.
2. Presionar change filter.
✓ En el indicador de ajustes del submenú aparece .
3. Presionar (ajuste del submenú).
✓ En el indicador de ajustes del submenú aparece .
4. Presionar menu.

9 Alarma

9.1 Alarma de la puerta

La alarma de la puerta se activa cuando la puerta del aparato permanece abierta durante un tiempo prolongado.

Apagar la alarma de la puerta


- ▶ Cerrar la puerta del aparato o presionar alarm off.
- ✓ La señal acústica se apaga.
- ✓ alarm off se apaga.

Alarma acústica de la puerta


La alarma acústica de la puerta puede activarse o desactivarse.

On	Alarma acústica activada
Off	Alarma acústica desactivada

Activar la alarma acústica de la puerta

1. Presionar menu.
2. Presionar alarm off.
3. Presionar  (ajuste del submenú) hasta que el indicador de ajustes del submenú muestre el ajuste deseado.
4. Presionar menu.

Desactivar la alarma acústica de la puerta

1. Presionar menu.
2. Presionar alarm off.
3. Presionar  (ajuste del submenú) hasta que el indicador de ajustes del submenú muestre el ajuste deseado.
4. Presionar menu.

9.2 Alarma de temperatura

La alarma de temperatura se activa si la temperatura es demasiado alta.

PRECAUCIÓN

Las bacterias pueden multiplicarse durante el proceso de descongelación de los alimentos y estos pueden deteriorarse.

- ▶ No volver a congelar los alimentos que se hayan descongelado o empezado a descongelar.
- ▶ Solo después de cocinarlos o freírlos, se podrán volver a congelar.
- ▶ El período máximo de almacenamiento ya no se podrá usar.

La alarma de temperatura puede activarse en los casos siguientes:

- El aparato se pone en funcionamiento. No guardar los alimentos hasta que se haya alcanzado la temperatura establecida.
- Se han colocado grandes cantidades de alimentos frescos en el interior. Antes de almacenar grandes cantidades de alimentos frescos, activar Supercongelación.
- Al tener abierta durante mucho tiempo la puerta del congelador. Comprobar que los alimentos se hayan congelado o descongelado por completo.

Apagar la alarma de temperatura

- ▶ Presionar alarm off.
- ✓ La señal acústica se apaga.
- ✓ En la indicación de temperatura (congelador) se muestra brevemente la temperatura más elevada registrada en el congelador. Seguidamente, la indicación de temperatura (congelador) muestra la temperatura ajustada.
- ✓ A partir de este momento se vuelve a determinar la temperatura más elevada, que queda almacenada.

10 Home Connect™

Este aparato es apto para la conexión en red. Conecte su aparato con un dispositivo móvil para manejar las funciones a través de la aplicación Home Connect™. Los servicios Home Connect™ no están disponibles en todos los países. La disponibilidad de la función Home Connect™ depende de la disponibilidad de los servicios Home Connect™ en su país. Para obtener más información, consulte: www.home-connect.com. Para poder utilizar Home Connect™ establezca primero la conexión con la red doméstica WLAN (Wi-Fi¹) y con la aplicación Home Connect™.

Después de encender el aparato esperar al menos dos minutos hasta que concluya la inicialización interna del mismo. Solo entonces realice la configuración de Home Connect™.

- Conectar el aparato a la red doméstica WLAN (Wi-Fi) con función WPS → *Página 75*
- Conectar el aparato a la red doméstica WLAN (Wi-Fi) sin función WPS → *Página 76*

La aplicación Home Connect™ le guiará durante el proceso de registro. Siga las instrucciones indicadas en la aplicación Home Connect™ para establecer los ajustes.

Recomendaciones


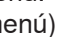
- Para ello, tener en cuenta la documentación adjunta de Home Connect™.
- Observe también las indicaciones de la aplicación Home Connect™.

Notas

- Tenga en cuenta las indicaciones de seguridad de este manual de instrucciones y garantice el cumplimiento de las mismas, cuando opere el aparato a través de la aplicación Home Connect™. → *"Seguridad", Página 62*
- En todo caso, tiene prioridad el manejo desde el propio electrodoméstico. Durante ese tiempo, el manejo del aparato no es posible a través de la aplicación Home Connect™.

10.1 Conectar el aparato a la red doméstica WLAN (Wi-Fi) con la función WPS

Si el router dispone de función WPS, el aparato se conecta automáticamente a la red de internet doméstica (Wi-Fi).

1. Presionar menu.
 - ✓ connect se ilumina y aparece On en el indicador del submenú.
2. Presionar repetidamente  (submenú) hasta que aparezca RLC en el indicador del submenú y Off en el indicador de ajustes del submenú.
3. Presionar  (ajuste del submenú).
 - ✓ El indicador del submenú muestra una animación durante dos minutos. El aparato está listo para la conexión automática a la red doméstica WLAN (Wi-Fi).
4. Activar la función WPS en el router durante dicho tiempo.
 - Para ello, tener en cuenta la información de la documentación del router.
 - ✓ Si la conexión se realiza correctamente, On parpadea en el indicador de ajustes del submenú.


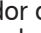

¹ Wi-Fi es una marca registrada de Wi-Fi Alliance.

- Si aparece **Er** en el indicador del submenú, significa que el dispositivo no ha podido establecer una conexión con la red doméstica WLAN (Wi-Fi).
 - Compruebe que el aparato se encuentre dentro del alcance de la red doméstica (Wi-Fi).
 - "Verificar la intensidad de la señal", *Página 76*
 - Repetir el proceso o realizar la conexión manualmente → *Página 76*.
- Conectar el aparato con la aplicación Home Connect.
 - *Página 76*

10.2 Conectar el aparato a la red doméstica WLAN (Wi-Fi) sin la función WPS

Si el router no dispone de función WPS, el aparato se debe conectar manualmente a la red doméstica WLAN (Wi-Fi). El aparato crea brevemente una red doméstica WLAN propia. Se puede conectar un dispositivo móvil a la red WLAN y transferir la información de la red doméstica WLAN (Wi-Fi) al aparato.

Requisito: La aplicación Home Connect™ está configurada en el dispositivo móvil.

- Presionar menu.
 - ✓ connect se ilumina y aparece **Ln** en el indicador del submenú.
- Presionar repetidamente /  (submenú) hasta que aparezca **SR** en el indicador del submenú y **UF** en el indicador de ajustes del submenú.
- Presionar  (ajuste del submenú).
 - ✓ El aparato crea una red inalámbrica propia con el nombre de red «Home Connect».
 - ✓ Aparece una animación en el indicador de ajustes del submenú. El aparato está listo para la conexión manual a la red doméstica WLAN (Wi-Fi).
- Seguir las indicaciones que aparecen en la aplicación Home Connect™ en el dispositivo móvil.
 - ✓ La información de red se transfiere de la red doméstica WLAN (Wi-Fi) al aparato.
 - ✓ Si la conexión se realiza correctamente, **On** parpadea en el indicador de ajustes del submenú.
- Si aparece **Er** en el indicador del submenú, significa que el dispositivo no ha podido establecer una conexión con la red doméstica WLAN (Wi-Fi).
 - Compruebe que el aparato se encuentre dentro del alcance de la red doméstica (Wi-Fi).
 - "Verificar la intensidad de la señal", *Página 76*
 - Repetir el proceso.


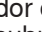

10.3 Conectar el aparato con la aplicación Home Connect™

Si el aparato se ha conectado automáticamente a la red doméstica WLAN (Wi-Fi), se podrá conectar a la aplicación Home Connect™.

Requisitos


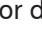
- El aparato está conectado a la red doméstica (Wi-Fi).
 - *Página 75*
- La aplicación Home Connect™ está configurada en el dispositivo móvil.

- Presionar menu.
 - ✓ connect se ilumina y aparece **Ln** en el indicador del submenú.

- Presionar repetidamente /  (submenú) hasta que aparezca **PR** en el indicador del submenú y **UF** en el indicador de ajustes del submenú.
- Presionar  (ajuste del submenú).
 - ✓ Aparece una animación en el indicador de ajustes del submenú.
- Seguir las indicaciones de la aplicación Home Connect™ hasta que finalice el proceso.
 - ✓ Si la conexión se realiza correctamente, aparece **On** en el indicador de ajustes del submenú.
- Si aparece **Er** en el indicador de ajustes del submenú, significa que el aparato no ha podido establecer una conexión con la aplicación Home Connect™.
 - Compruebe en la aplicación Home Connect™ si el dispositivo móvil está conectado a la red doméstica WLAN (Wi-Fi).
 - Repetir el proceso.
- Si aparece **rE** en el indicador de ajustes del submenú, restablecer los ajustes de Home Connect™.
 - *Página 77*

10.4 Verificar la intensidad de la señal

La intensidad de la señal debe comprobarse si la conexión no se establece correctamente.

- Presionar menu.
 - ✓ connect se ilumina y aparece **Ln** en el indicador del submenú.
- Presionar repetidamente /  (submenú) hasta que aparezca **Si** en el indicador del submenú.
 - ✓ El indicador de ajustes del submenú muestra un valor entre **0** (sin cobertura) y **3** (cobertura completa).
- Presionar menu.

Nota: El valor de intensidad de la señal debería ser **2** como mínimo.

Mejorar la cobertura

Si la intensidad de la señal es demasiado baja, puede interrumpirse la conexión.


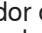
- ▶ Ejecutar una de las posibles soluciones:
 - Acercar el router y el aparato refrigerador.
 - Asegurarse de que la conexión no está perturbada por paredes con blindaje.
 - Para intensificar la señal, instalar un repetidor.




10.5 Instalar la actualización del software de Home Connect

El aparato busca periódicamente actualizaciones para el software Home Connect™.

Nota: Si hay actualizaciones disponibles, aparece **UP** en el indicador del submenú.

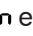

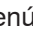
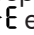
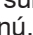


Para cancelar la actualización y restablecer el indicador del submenú a la temperatura ajustada, presionar cualquier casilla táctil.

- Presionar menu.
 - ✓ connect se ilumina y aparece **Ln** en el indicador del submenú.
- Presionar repetidamente /  (submenú) hasta que aparezca **UP** en el indicador del submenú y **UF** en el indicador de ajustes del submenú.

3. Presionar  (ajuste del submenú).
 - ✓ Aparece una animación en el indicador de ajustes del submenú.
 - ✓ La actualización se está instalando.
 - ✓ Durante la instalación el panel de control está bloqueado.
 - ✓ Si la instalación se realiza con éxito, aparece  en el indicador de ajustes del submenú.
4. Si aparece  en el indicador de ajustes del submenú, significa que el aparato no ha podido instalar la actualización.
 - Repetir la operación en otro momento.
5. Si no es posible completar la actualización tras varios intentos, ponerse en contacto con el Servicio de atención al cliente → *Página 89*.

10.6 Restablecer los ajustes de Home Connect™

Si el aparato presenta problemas de conexión con la red inalámbrica doméstica WLAN (Wi-Fi) o si se desea conectarlo a otra red, es posible restablecer los ajustes de Home Connect™.

1. Presionar menu.
 - ✓ connect se ilumina y aparece  en el indicador del submenú.
2. Presionar repetidamente  /  (submenú) hasta que aparezca  en el indicador del submenú y  en el indicador de ajustes del submenú.
3. Presionar  (ajuste del submenú).
 - ✓ El indicador de ajustes del submenú muestra una animación durante unos 15 segundos.
 - ✓ A continuación, aparece  en el indicador de ajustes del submenú.
 - ✓ Se han restablecido los ajustes de Home Connect™.
4. Presionar menu.

10.7 Diagnóstico remoto

El servicio de atención al cliente puede acceder al aparato a través del Diagnóstico Remoto al ponerse en contacto con dicho servicio si el aparato está conectado con el servidor Home Connect™ y si el Diagnóstico Remoto está disponible en el país en el que se utiliza el aparato.

Consejo Para más información, así como para consultar la disponibilidad del servicio de Diagnóstico Remoto en un país en concreto, consulte la página web de ayuda/ Servicio Técnico local: www.home-connect.com

10.8 Protección de datos

Tenga en cuenta las indicaciones relativas a la protección de datos.

Al conectar por primera vez su aparato a una red doméstica asociada a Internet, el aparato transmite las siguientes categorías de datos al servidor de Home Connect™ (registro inicial):

- Identificación unívoca del aparato (compuesta por la clave del aparato y la dirección MAC del módulo de comunicación Wi-Fi utilizado).
- Certificado de seguridad del módulo de comunicación Wi-Fi (para la protección técnica de la información de la conexión).
- Las versiones actuales del software y del hardware del electrodoméstico.

- El estado de un posible restablecimiento previo a los ajustes de fábrica.

El registro inicial prepara la utilización de las funciones Home Connect™ y solo es necesario la primera vez que se vayan a utilizar dichas funciones Home Connect™.

Nota: Se debe tener en cuenta que las funciones Home Connect™ solo se pueden utilizar en conexión con la aplicación Home Connect™. Se puede consultar la información relativa a la protección de datos en la aplicación Home Connect™.

11 Compartimiento de refrigeración

En el compartimiento de refrigeración, se pueden almacenar productos lácteos, huevos, platillos preparados, productos de panadería, conservas abiertas y quesos curados.

La temperatura puede ajustarse de 33 °F (1 °C) a 43 °F (6 °C).

En el compartimiento de refrigeración, también se pueden conservar alimentos perecederos a corto y medio plazo. Cuanto más baja sea la temperatura seleccionada, más tiempo se mantienen frescos los alimentos.

11.1 Consejos para el almacenamiento de alimentos en el compartimiento de refrigeración

- Guardar únicamente alimentos frescos y en perfecto estado.
- Almacenar los alimentos envasados herméticamente o tapados adecuadamente.
- Dejar enfriar los alimentos y bebidas calientes.
- Deben observarse las fechas de caducidad o de consumo preferente señaladas por los fabricantes.

11.2 Zonas de frío del compartimiento de refrigeración

La circulación de aire en el compartimiento de refrigeración genera diferentes zonas de frío.

La zona más fría

La zona más fría del compartimiento está en el cajón deslizable.

Consejo Guardar los alimentos perecederos (por ejemplo, pescado, embutido y carne) en el compartimiento fresco.

→ *"Compartimiento fresco", Página 78*

La zona menos fría

La zona menos fría se encuentra en la parte superior de la cara interior de la puerta.

Consejo Guardar en la zona menos fría la comida menos perecedera, por ejemplo, el queso curado y la mantequilla. De esta manera, el queso conservará su aroma y la mantequilla se podrá untar en el pan fácilmente.

12 Compartimiento fresco

En el compartimiento fresco, los alimentos se mantienen en buen estado hasta el triple de tiempo que en el compartimiento de refrigeración.

La temperatura puede ajustarse de 29 °F (-2 °C) a 40 °F (4 °C) usando los ajustes de almacenamiento predefinidos.

Mediante el almacenamiento en el compartimiento fresco, se conserva mejor la calidad de los alimentos guardados. La baja temperatura y el grado óptimo de humedad del aire proporcionan unas condiciones ideales para guardar los alimentos frescos.

12.1 Recomendaciones de almacenamiento en el compartimiento fresco

Ajuste de almacenamiento	Alimentos
29°F ◊	Carne, pescado y mariscos
32°F ◊	Verduras, almacenamiento mixto de fruta y verdura, embutidos, quesos y productos lácteos
32°F ◊◊	Verduras
34°F ◊	Bebidas
40°F ◊	Aperitivos y otros

Consejo La fruta, las verduras, las bebidas y los aperitivos pueden congelarse por debajo de 32 °F (0 °C). Utilizar el ajuste de almacenamiento 29°F ◊ solo para almacenar carne y pescado.

13 Congelador

En el congelador, es posible guardar productos ultracongelados, congelar alimentos y preparar cubitos de hielo.

La temperatura puede ajustarse de 6 °F (-14 °C) a -7 °F (-22 °C).

El almacenamiento de alimentos durante largos periodos de tiempo deberá efectuarse a una temperatura de 0 °F (-18 °C) o inferior.

Los alimentos perecederos pueden almacenarse congelados durante mucho tiempo. Las bajas temperaturas ralentizan o detienen su deterioro.

13.1 Consejos para colocar los alimentos en el congelador

- Almacenar los alimentos en envases herméticos.
- Los alimentos congelados no deben entrar en contacto con los alimentos frescos que se desean congelar.
- Distribuir los alimentos ampliamente en los recipientes para productos congelados.
- Para congelar grandes cantidades de alimentos frescos de forma rápida y cuidadosa, deben colocarse en el cajón deslizante para productos congelados.

13.2 Consejos para congelar alimentos frescos

- Congelar solo alimentos frescos y en perfectas condiciones.

- Congelar alimentos en porciones.
- Los alimentos preparados son más adecuados que los alimentos crudos.
- Lavar, trocear y escaldar la verdura antes de congelarla.
- Lavar la fruta, retirar los huesos, y si así se desea, pelarla antes de congelarla; dado el caso, se le puede añadir azúcar o una solución de ácido ascórbico.
- Algunos alimentos apropiados para congelar son el pan y la bollería, el pescado, el marisco, la carne, la caza, las aves, los huevos sin cáscara, el queso, la mantequilla, el requesón, los platos precocinados y los restos de comida.
- Algunos alimentos no apropiados para congelar son las lechugas, los rabanitos, los huevos con cáscara, las uvas, las manzanas o peras crudas, los yogures, la nata agria o fresca y la mayonesa.

Envasado de los productos congelados

Utilizar el tipo y el material de embalaje adecuados permite conservar significativamente la calidad de los productos y evitar que se quemen por congelación.

1. Introducir los alimentos en el embalaje previsto para tal efecto.
2. Eliminar todo el aire que pudiera haber en el envase.
3. Envasar los alimentos herméticamente para que no se deshidraten ni pierdan su sabor.
4. Marcar los envases, indicando su contenido y la fecha de congelación.

13.3 Métodos de descongelación para productos congelados

⚠ PRECAUCIÓN

Las bacterias pueden multiplicarse durante el proceso de descongelación de los alimentos y estos pueden deteriorarse.

- ▶ No volver a congelar los alimentos que se hayan descongelado o empezado a descongelar.
 - ▶ Solo después de cocinarlos o freírlos, se podrán volver a congelar.
 - ▶ El período máximo de almacenamiento ya no se podrá usar.
- Descongelar en el compartimiento de refrigeración los alimentos de origen animal, como el pescado, la carne, el queso o el requesón.
 - Descongelar el pan a temperatura ambiente.
 - Preparar los alimentos de consumo inmediato en el microondas, en el horno o en las placas de cocción.

14 Sistema de agua

El aparato tiene componentes que conducen agua.

El sistema de agua solo funciona si hay instalado un filtro de agua o una tapa con bypass.

14.1 Filtro de agua

El filtro de agua filtra las partículas del agua y el sabor a cloro.

El filtro de agua reduce otros tipos de impurezas, como la cloramina, el plomo y los productos farmacéuticos.

Nota: El filtro de agua no filtra bacterias ni microbios del agua.

Sustituir el filtro de agua:

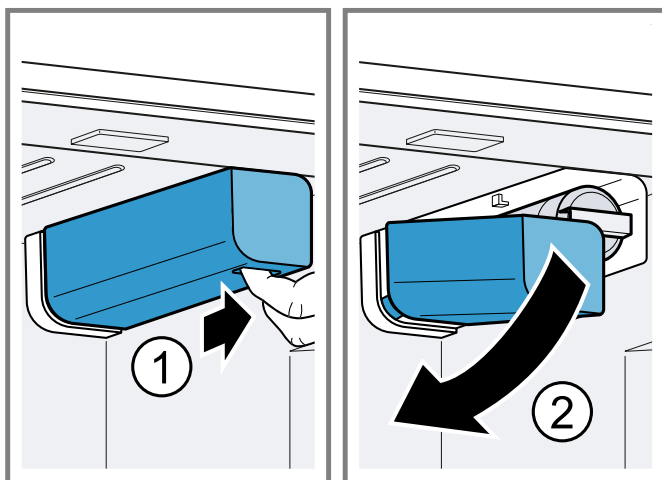
- cada 6 meses;
- si change filter se ilumina;
- si se ve que el dispensador de agua se reduce.

Recomendaciones

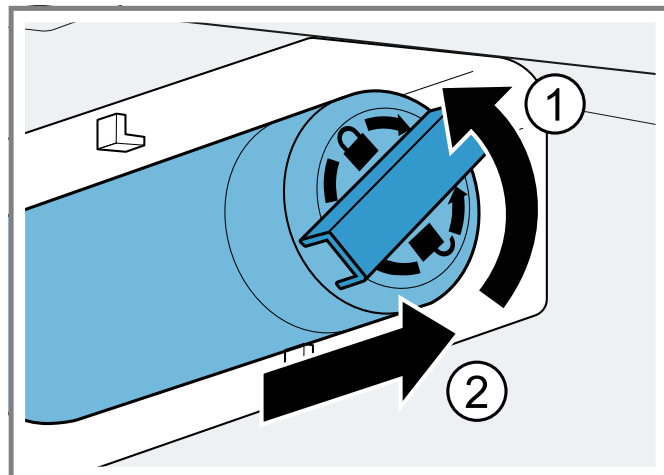
- Puede obtener un nuevo filtro de agua a través de nuestro Servicio de atención al cliente, por medio de su distribuidor o en nuestra página web.
- Si no se desea utilizar un filtro de agua en el aparato o se tiene instalado un sistema de filtro de agua exterior, es posible reemplazar para siempre el filtro de agua por una tapa con bypass. La tapa con bypass solo filtra partículas gruesas del agua y puede limpiarse en caso sea necesario. Puede obtener una tapa con bypass a través de nuestro Servicio de atención al cliente o en nuestra página web.

Sustituir el filtro de agua o reemplazarlo por una tapa con bypass

1. Agarrar la muesca ubicada debajo de la cubierta del filtro ①, desplazarla suavemente hacia adelante y plegarla hacia abajo a la izquierda ②.



2. Girar el filtro de agua 90° en sentido opuesto a las agujas del reloj ① y retirarlo ②.
 - Retirar con cuidado el filtro de agua, ya que puede estar bajo presión.



Nota: Goteará un poco de agua al retirar el filtro. Eliminar el agua que ha goteado con un paño seco.

Consejo El filtro de agua usado se puede desechar con la basura del hogar.

3. Introducir el nuevo filtro de agua y la tapa con bypass en la apertura del filtro hasta el tope y girarlo unos 90° en sentido de las agujas del reloj hasta el tope.
4. Plegar la cubierta del filtro hacia arriba a la derecha y empujar hacia atrás hasta el tope.
5. Desechar los cubitos de hielo que se hayan producido en las primeras 24 horas y desechar el agua que salga durante cinco minutos.

14.2 Dispensador de agua

El dispensador permite servir agua fría.

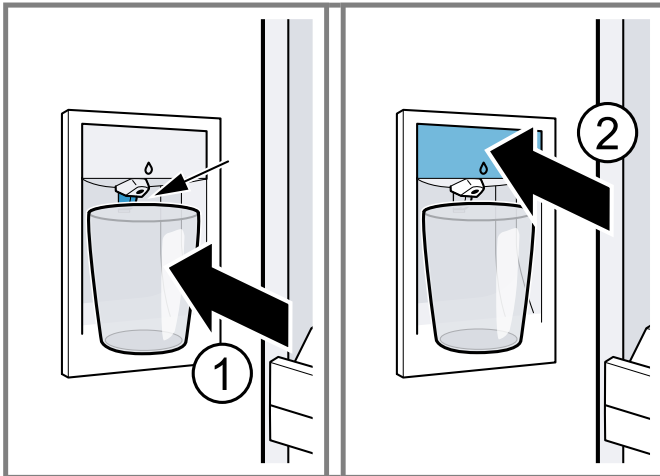
Poner en funcionamiento el dispensador de agua

Nota: Tras conectar el aparato o insertar un nuevo filtro de agua, hay aire en el sistema de agua.

1. Dejar correr el agua hasta que no quede ninguna burbuja de aire. Eliminar las salpicaduras de agua con un paño seco.
2. Por motivos de higiene, extraer el agua durante cinco minutos y desecharla.

Extracción de agua

- ▶ Presionar el vaso contra el interruptor de extracción ① o mantener el vaso bajo el dispensador de agua y presionar \odot ②.



Notas

- Después de un tiempo de extracción continuada, el dispensador de agua se detiene. Para volver a dispensar agua, esperar un par de segundos.
- Después de varias extracciones sucesivas, el dispensador de agua se detiene. Para volver a dispensar agua, esperar un par de minutos.

14.3 Fabricador de cubitos de hielo

Utilizar el fabricante de cubitos hielo para fabricar cubitos.

⚠ ADVERTENCIA

Las piezas giratorias pueden causar lesiones.

- ▶ No colocar nunca las manos debajo o en el interior del fabricante de cubitos de hielo.

Nota: El fabricante de cubitos de hielo detecta automáticamente que el depósito para cubitos está lleno. El depósito de cubitos de hielo tarda hasta 48 horas en llenarse.

Recomendaciones

- Se puede acelerar la producción de cubitos de hielo ajustando una temperatura más baja en el congelador o conectando Supercongelación. Esto aumenta ligeramente el consumo de energía.
- Si los cubitos de hielo tienen un mal sabor, desechar los cubitos de hielo restantes y la producción de cubitos de las próximas 24 horas; si, después de eso, los cubitos de hielo siguen teniendo ese sabor, sustituir el filtro del agua.

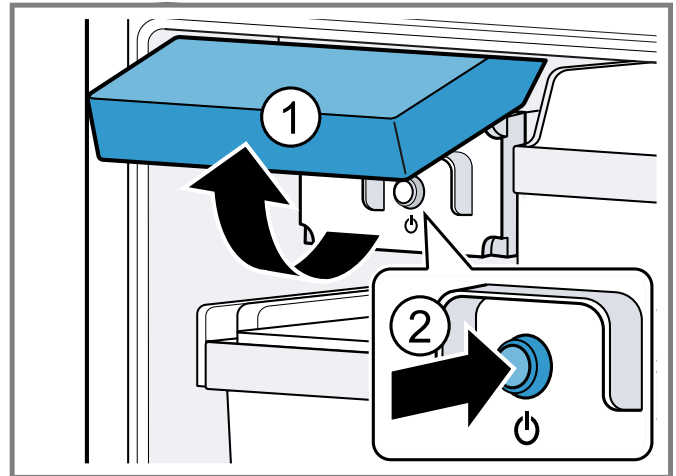
Poner en marcha el fabricante de cubitos de hielo

Notas

- La producción de cubitos de hielo se inicia en cuanto el aparato está encendido y el congelador alcanza la temperatura establecida.
- En cuanto el congelador haya alcanzado la temperatura establecida, se habrá finalizado la primera producción de cubitos de hielo al cabo de aproximadamente 4 horas.
- ▶ Por motivos de higiene, desechar los cubitos de hielo que se hayan producido en las primeras 24 horas.

Activar la producción de cubitos de hielo

- ▶ Plegar hacia arriba la tapa del fabricante de cubitos de hielo ① y presionar el sensor del fabricante de cubitos de hielo ②.

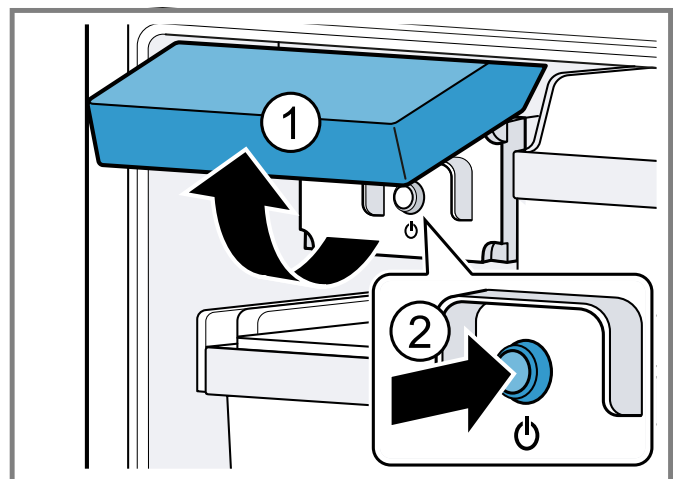


- ✓ El sensor del fabricante de cubitos de hielo se ilumina.

Nota: Si se mantiene presionado el sensor del fabricante de cubitos de hielo durante tres segundos, se restablece el estado del cambio de filtro.

Desactivar la producción de cubitos de hielo

- ▶ Plegar hacia arriba la tapa del fabricante de cubitos de hielo ① y presionar el sensor del fabricante de cubitos de hielo ②.



- ✓ El sensor del fabricante de cubitos de hielo se apaga.

Nota: Si se mantiene presionado el sensor del fabricante de cubitos de hielo durante tres segundos, se restablece el estado del cambio de filtro.

15 Descongelación

15.1 Desescarchar el compartimiento de refrigeración

El compartimiento de refrigeración del aparato se desescarcha automáticamente.

15.2 Desescarchar el compartimiento fresco

El compartimiento fresco del aparato se desescarcha automáticamente.

15.3 Descongelación dentro del congelador

Gracias al sistema totalmente automático «NoFrost», no se genera escarcha en el congelador. No es necesario descongelarlo.

16 Limpieza y cuidados

Para que el aparato mantenga durante mucho tiempo su capacidad funcional, debe mantenerse y limpiarse con cuidado.

La limpieza en áreas inaccesibles tiene que realizarla el Servicio de Atención al Cliente. La limpieza por el Servicio de Atención al Cliente supone costos.

16.1 Preparar el aparato para su limpieza

1. Apagar el aparato. → *Página 72*
2. Desenchufar el aparato de la red eléctrica.
Extraer el enchufe del cable de conexión de red o quitar el fusible de la caja de fusibles.
3. Retirar los alimentos y guardarlos en un lugar fresco.
Colocar acumuladores de frío directamente sobre los alimentos, si se dispone de ellos.
4. Retirar todos los elementos adicionales y accesorios del aparato. → *Página 81*
5. Desmontar los carriles telescópicos. → *Página 83*
6. Desmontar la placa de vidrio del compartimiento de refrigeración. → *Página 84*
7. Desmontar la tapa del cajón fresco. → *Página 85*

16.2 Limpiar el aparato

⚠ ADVERTENCIA

La penetración de humedad puede causar una descarga eléctrica.

- ▶ No utilizar limpiadores por chorro de vapor ni de alta presión para limpiar el aparato.

AVISO:

Los productos de limpieza inadecuados pueden dañar la superficie del aparato.

- ▶ No utilizar estropajos ni esponjas de fibra dura.
- ▶ No utilizar agentes agresivos ni abrasivos.
- ▶ No utilizar productos de limpieza con un alto contenido de alcohol.
- ▶ No utilizar limpiadores específicos para acero inoxidable en el exterior del aparato.

Si se lavan los elementos y accesorios del aparato en el lavavajillas, estos podrían deformarse o decolorarse.

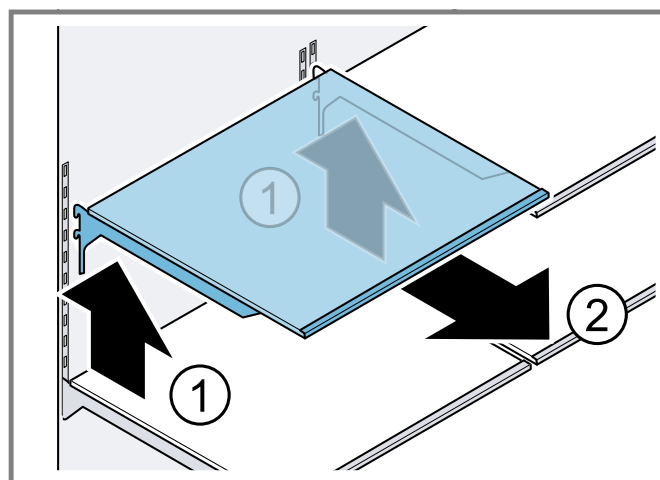
- ▶ No lavar nunca los elementos y accesorios del aparato en el lavavajillas.
1. Preparar el aparato para su limpieza. → *Página 81*
 2. Limpiar el aparato, los elementos adicionales, los accesorios y las juntas de la puerta con un trapo, agua templada y un poco de jabón de pH neutro.
 3. Secar completamente con un paño suave y seco.
 4. Colocar los accesorios y montar las partes del aparato.
 5. Conectar el aparato a la red eléctrica.
 6. Encender el aparato. → *Página 72*
 7. Introducir alimentos.

16.3 Retirar elementos del aparato

Si se desea limpiar a fondo los elementos del aparato, será necesario quitarlos.

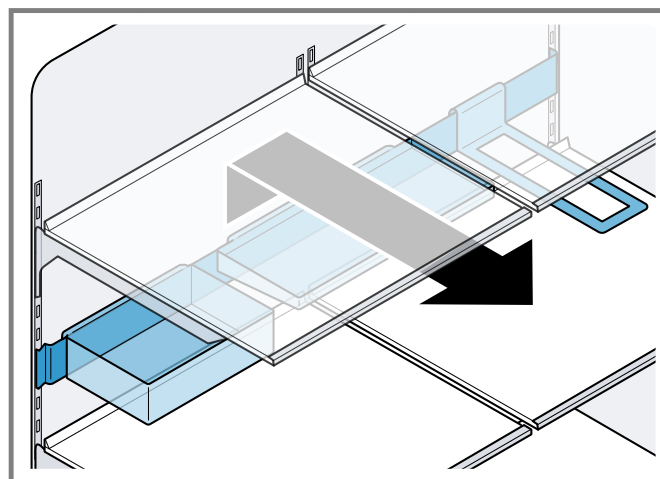
Retirar las bandejas

- ▶ Levantar ① la bandeja y extraerla ②.



Extraer la barra de equipamiento

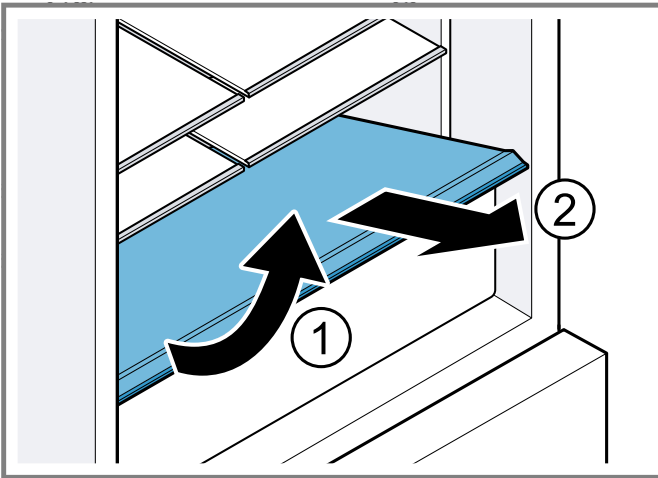
- ▶ Levantar y extraer la barra de equipamiento.



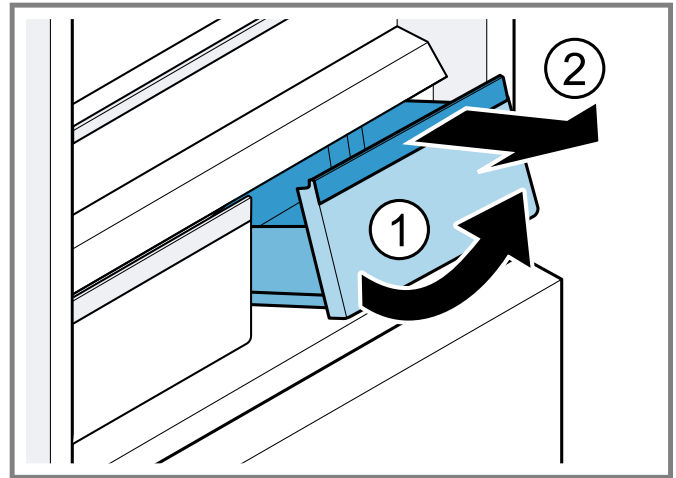
Retirar las bandejas fijas

1. Sacar el cajón deslizante.

2. Levantar por delante la bandeja fija ① y extraerla ②.

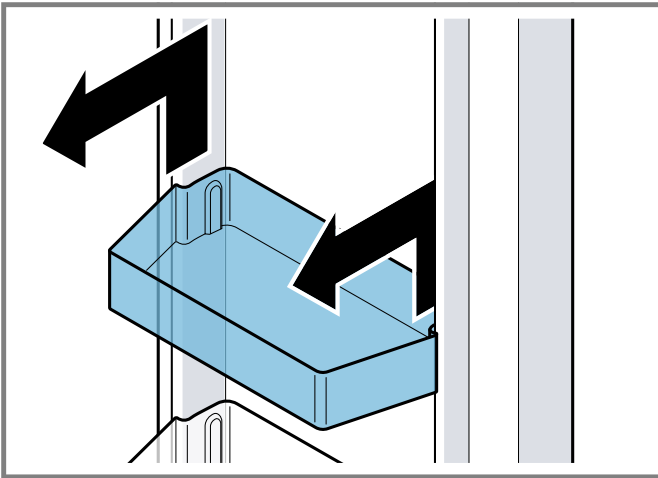


2. Levantar el cajón fresco por delante ① y retirar ②.



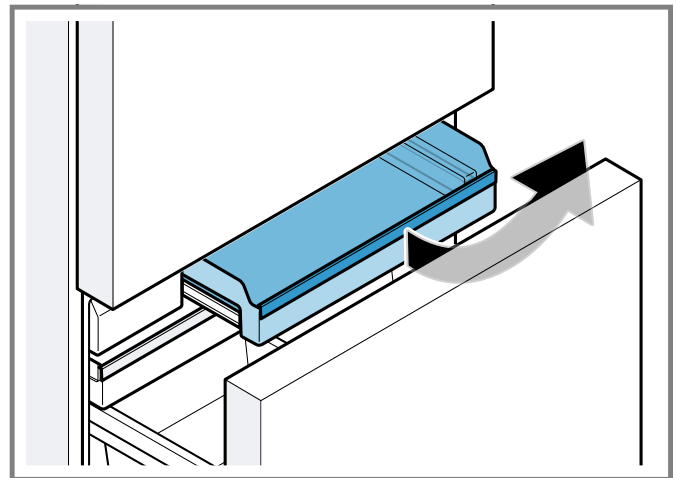
Retirar el botellero de puerta

- Levantar y extraer el botellero.



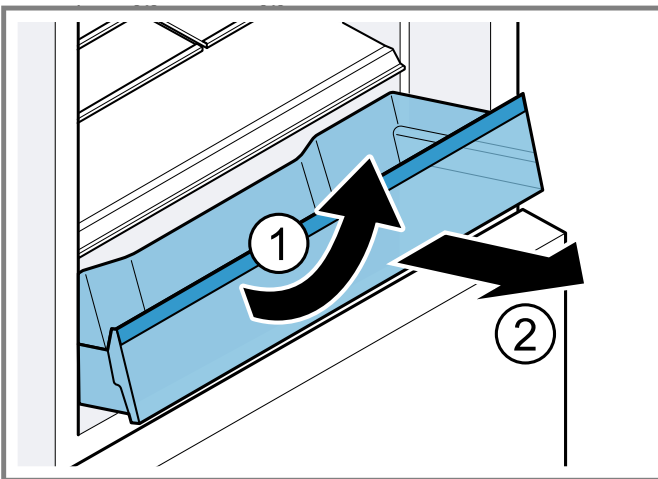
Retirar el cajón deslizable de productos congelados

1. Extraer hasta el tope el cajón deslizable de productos congelados.
2. Levantar el cajón deslizable de productos congelados por delante y retirarlo.



Retirar el cajón deslizable

1. Jalar hacia afuera el cajón deslizable hasta el tope.
2. Levantar ① el cajón deslizable por la parte delantera y retirarlo ②.

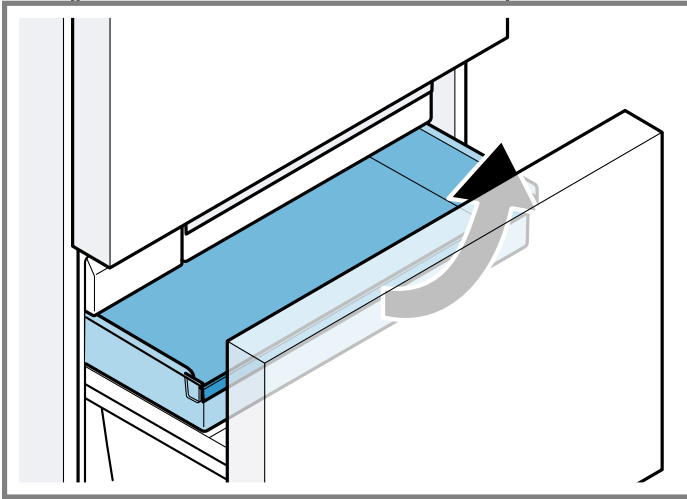


Retirar el compartimiento de congelación plano

1. Sacar el compartimiento de congelación plano hasta el tope.
2. Levantar el compartimiento de congelación plano por delante y retirarlo.

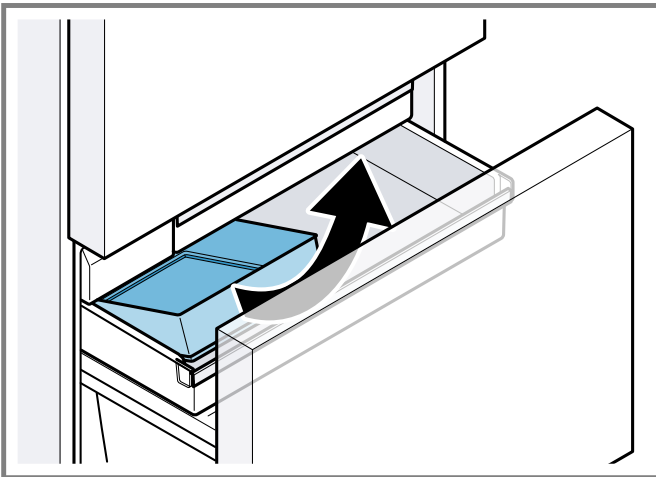
Retirar el cajón fresco

1. Jalar hacia afuera el cajón fresco hasta el tope.



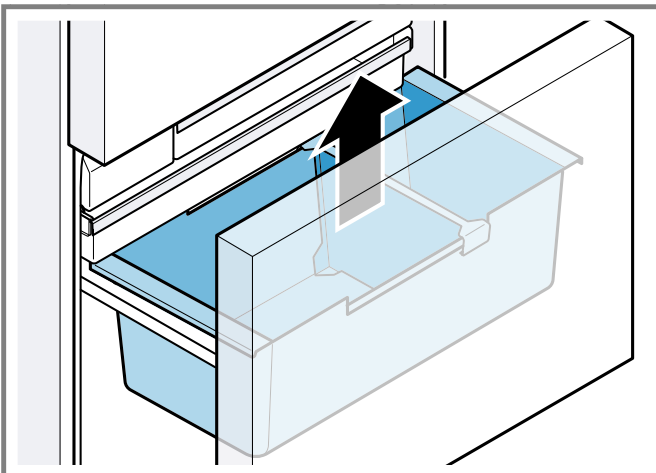
Extraer el depósito para cubitos de hielo

1. Sacar el compartimiento de congelación plano hasta el tope.
2. Levantar el depósito para cubitos de hielo por delante y extraerlo.



Extraer el recipiente para transportar productos congelados

- ▶ Extraer hacia arriba el recipiente para transportar productos congelados.



16.4 Desmontar los componentes del aparato

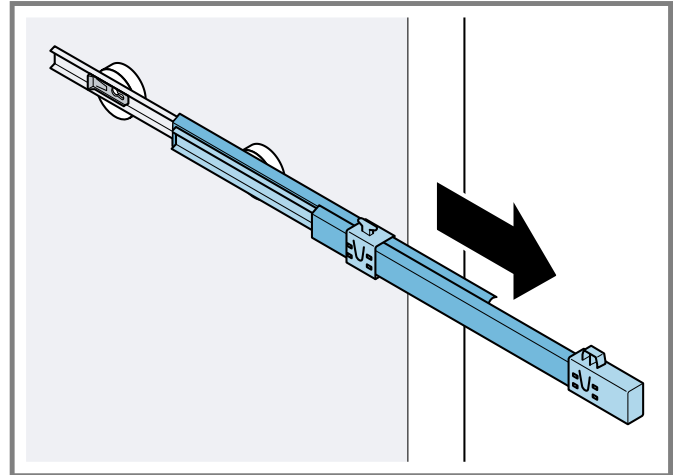
Si se desea limpiar el aparato a fondo, es posible desmontar algunos componentes del aparato.

Raíles telescópicos

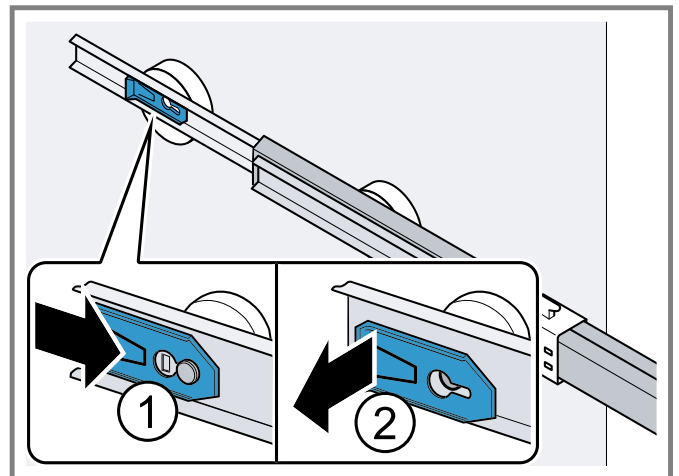
Para limpiar a fondo los raíles telescópicos, es posible desmontarlos.

Desmontar los raíles telescópicos

1. Extraer el raíl telescópico.

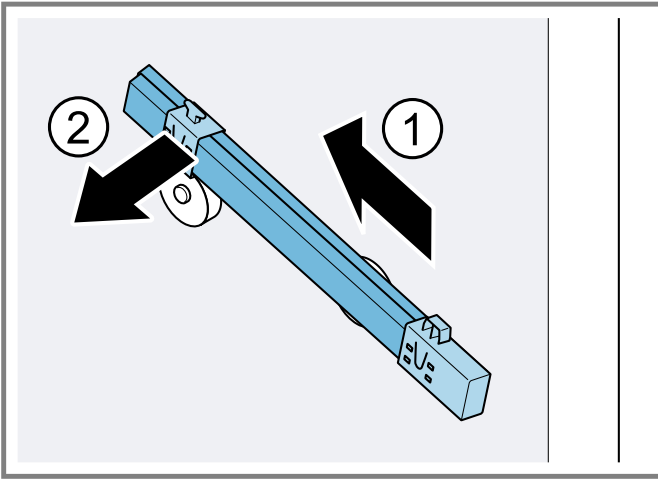


2. Desplazar el bloqueo en la dirección que marca la flecha ① y soltarlo del perno ②.



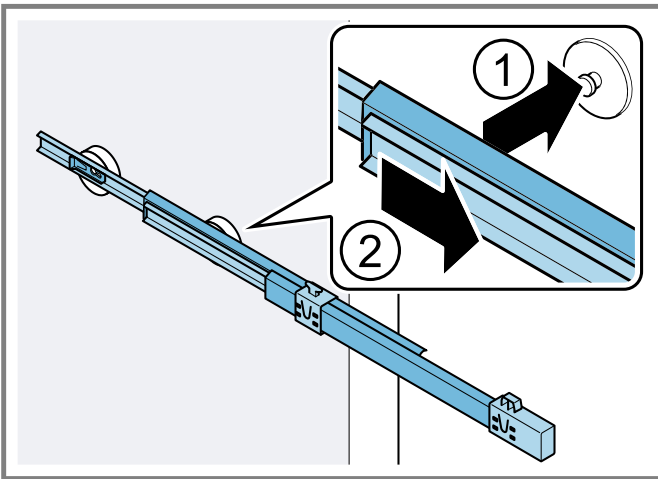
3. Replegar el raíl telescópico.

4. Desplazar el raíl telescópico hacia atrás por encima del perno posterior ① y desenclavarlo ②.

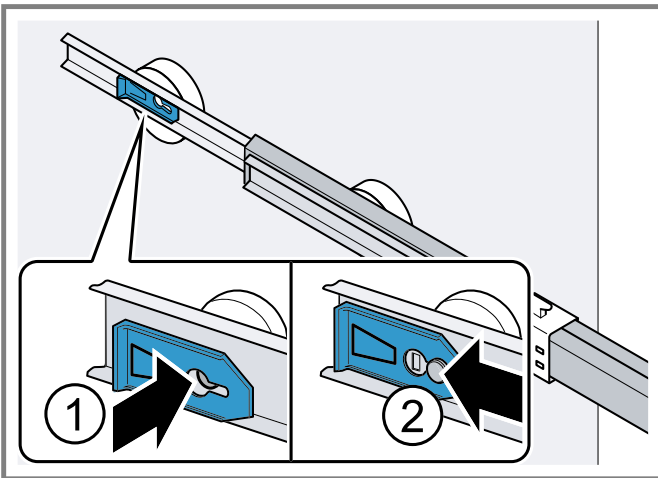


Montar los raíles telescópicos

1. Montar el raíl telescópico en posición desplegada sobre el perno delantero ① y jalar ligeramente hacia delante para encajarlo ②.



2. Montar el raíl telescópico en el perno posterior ① y desplazar el bloqueo hacia atrás ②.

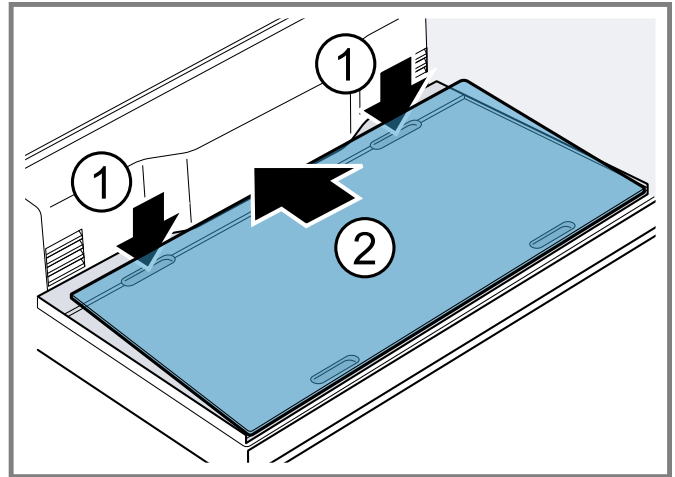


Placa de vidrio del compartimiento de refrigeración

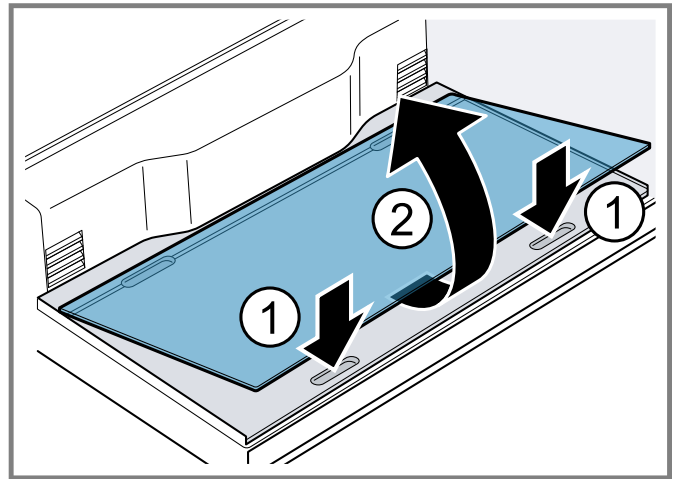
Es posible desmontar la placa de vidrio del compartimiento de refrigeración para poder limpiarla a fondo.

Desmontar la placa de vidrio del compartimiento de refrigeración

1. Asir las dos hendiduras de la parte posterior de la base del compartimiento frigorífico y levantar la placa de vidrio ①. Deslizar hacia atrás la placa de vidrio del compartimiento frigorífico ②.

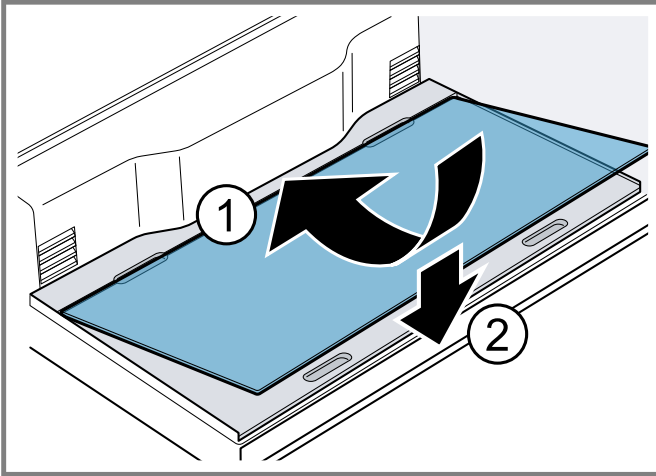


2. Asir ① las dos hendiduras de la parte delantera de la base del compartimiento frigorífico y levantar la placa de vidrio para extraerla ②.



Montar la placa de vidrio de compartimiento de refrigeración

- Colocar la placa de vidrio del compartimiento frigorífico sobre la base del compartimiento ①, por la parte trasera, y presionarla hacia abajo ②.

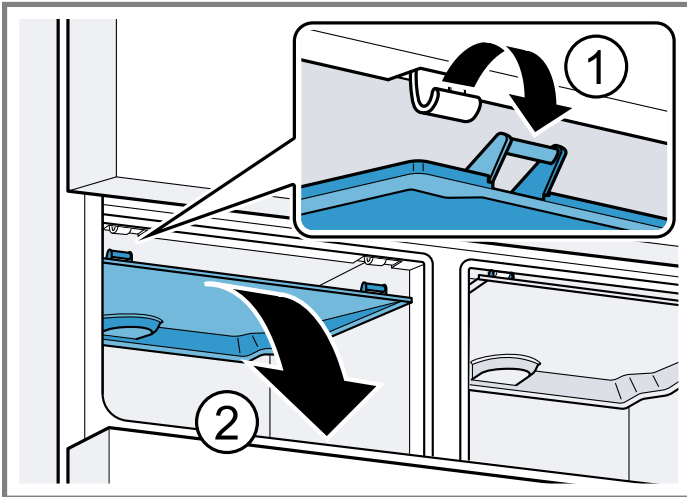


Tapa del cajón fresco

Es posible desmontar el cajón fresco para limpiar a fondo la tapa.

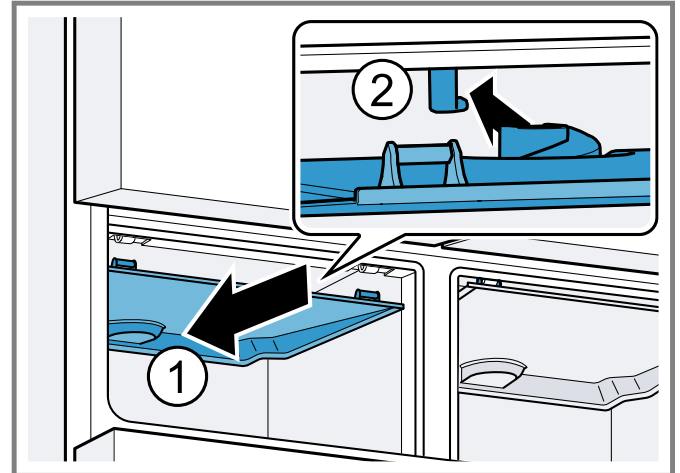
Desmontar la tapa del cajón fresco

1. Retirar el cajón fresco.
2. Desenclavar la tapa del cajón fresco ① y retirarla ②.

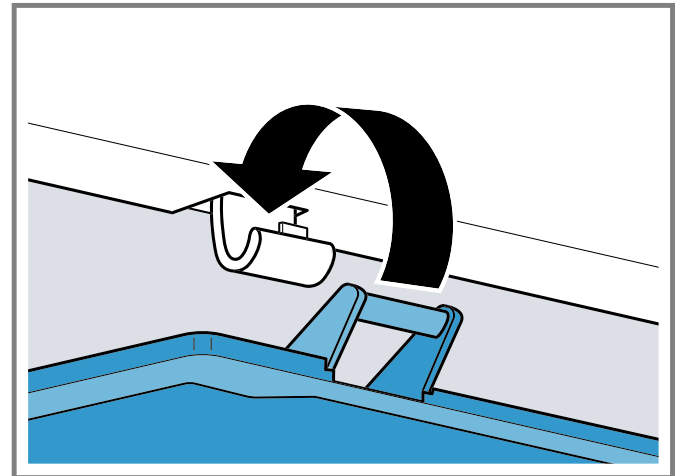


Montar la tapa del cajón fresco

1. Deslizar simétricamente la tapa del cajón fresco hacia atrás ① y engancharla ②.



2. Fijar la tapa del cajón fresco.



3. Montar el cajón fresco.

17 Solucionar pequeñas averías

Usted mismo puede solucionar los errores menores de su aparato. Lea la información acerca de cómo solucionar los errores antes de contactar con Atención al Cliente. Así podrá evitar costos de reparación innecesarios.

- ▶ Si el cable de conexión de red de este aparato resulta dañado, éste debe sustituirse por un cable de conexión especial que puede adquirirse directamente a través del fabricante o de su servicio de atención al cliente.

ADVERTENCIA

Las reparaciones indebidas son peligrosas.

- ▶ Solo se pueden utilizar repuestos originales para reparar el aparato.

Falla	Causas y resolución de problemas
El aparato no enfría; los paneles indicadores y la iluminación interior se iluminan.	<p>El modo de exposición está activado.</p> <ol style="list-style-type: none"> 1. Mantener presionado alarm off durante 15 segundos hasta que suenen tres señales acústicas. <ul style="list-style-type: none"> ✓ La iluminación de los paneles de control y la iluminación interior se apagan brevemente. ✓ alarm off parpadea y suena una señal acústica. 2. Presionar alarm off. 3. Al cabo de un breve período de tiempo, cerciorarse de que el aparato enfría.
La iluminación LED no funciona.	<p>Son posibles diferentes causas.</p> <ul style="list-style-type: none"> ▶ Ponerse en contacto con el Servicio de atención al cliente. → "Servicio de atención al cliente", Página 89
Home Connect no funciona correctamente.	<p>Son posibles diferentes causas.</p> <ul style="list-style-type: none"> ▶ Acceder a www.home-connect.com.
En el indicador de temperatura aparece E o d.	<p>El sistema electrónico ha detectado una falla.</p> <ol style="list-style-type: none"> 1. Apagar el aparato. → <i>Página 72</i> 2. Desconectar el aparato de la red eléctrica. Extraer el enchufe del cable de conexión de red o desconectar el fusible de la caja de fusibles. 3. Volver a conectar el aparato tras cinco minutos. 4. Encender el aparato. → <i>Página 72</i> 5. Si la indicación del panel indicador vuelve a aparecer, avisar al Servicio de atención al cliente. → "Servicio de atención al cliente", Página 89
La indicación de temperatura (congelador) parpadea, se escucha la señal acústica y el símbolo alarm off parpadea. La alarma de temperatura está activada.	<p>Son posibles diferentes causas.</p> <ol style="list-style-type: none"> 1. Presionar alarm off. <ul style="list-style-type: none"> ✓ La alarma se desactiva. 2. Comprobar tras unas horas que el congelador ha vuelto a alcanzar la temperatura establecida. <hr/> <p>Las rejillas de ventilación exteriores están cubiertas.</p> <ul style="list-style-type: none"> ▶ Eliminar la causa de la obstrucción de las rejillas de ventilación. <hr/> <p>Se han introducido grandes cantidades de alimentos frescos en el interior.</p> <ul style="list-style-type: none"> ▶ Activar Supercongelación antes de introducir una cantidad de alimentos grande. → "Activar Supercongelación", Página 73
Suena una señal acústica y alarm off parpadea. La alarma de la puerta está activada.	<p>La puerta del aparato está abierta.</p> <ul style="list-style-type: none"> ▶ Cerrar la puerta del aparato.
La temperatura difiere considerablemente del valor seleccionado.	<p>Son posibles diferentes causas.</p> <ol style="list-style-type: none"> 1. Apagar el aparato. → <i>Página 72</i> 2. Volver a encender el aparato tras unos 5 minutos. → <i>Página 72</i> <ul style="list-style-type: none"> – Si la temperatura es demasiado alta, volver a comprobarla al cabo de unas pocas horas. – Si la temperatura es demasiado baja, volver a comprobarla al día siguiente.

Falla	Causas y resolución de problemas
Sale agua del aparato.	<p>La conexión o la manguera de alimentación de agua tiene fugas.</p> <ul style="list-style-type: none"> ▶ Comprobar que las conexiones a la toma de agua estén firmemente apretadas y la manguera de agua se encuentre en buen estado. <p>En caso necesario, cambiar la manguera de agua.</p>
El dispensador de agua se reduce.	<p>La presión del agua es demasiado baja.</p> <ul style="list-style-type: none"> ▶ Comprobar la presión de agua del dispositivo de suministro de agua o del sistema de filtro de agua exterior, p. ej., el sistema de ósmosis inversa. <p>Conectar a una toma de agua con suficiente presión. → <i>Página 65</i></p> <hr/> <p>El filtro de agua está obstruido.</p> <ul style="list-style-type: none"> ▶ Sustituir el filtro de agua. → <i>Página 79</i>
Se registran fugas de agua en forma de gotas en el dispensador de agua.	<p>Hay aire en el sistema de agua.</p> <ul style="list-style-type: none"> ▶ Retirar el agua hasta que no quede aire.
El dispensador de agua no funciona.	<p>No hay alimentación de agua.</p> <ul style="list-style-type: none"> ▶ Asegurarse de que haya alimentación de agua disponible y de que la válvula de cierre de la toma de agua esté abierta. <p>En caso necesario, ponerse en contacto con un instalador.</p> <hr/> <p>Hay una doblez en la manguera de agua.</p> <ul style="list-style-type: none"> ▶ Apagar el suministro de agua y rectificar la doblez de la manguera de agua. <p>En caso necesario, cambiar la manguera de agua.</p>
La producción de cubitos de hielo es baja.	<p>El aparato está conectado.</p> <ul style="list-style-type: none"> ▶ Esperar aprox. 4 horas hasta que finalice la primera producción de cubitos de hielo. <hr/> <p>El congelador se ha abierto con frecuencia o se ha mantenido abierto durante un periodo prolongado.</p> <ul style="list-style-type: none"> ▶ Comprobar la producción de cubitos de hielo tras unas horas. <hr/> <p>La presión del agua es demasiado baja.</p> <ul style="list-style-type: none"> ▶ Comprobar la presión de agua del dispositivo de suministro de agua o del sistema de filtro de agua exterior, p. ej., el sistema de ósmosis inversa. <p>Conectar a una toma de agua con suficiente presión. → <i>Página 65</i></p> <hr/> <p>El filtro de agua está obstruido.</p> <ul style="list-style-type: none"> ▶ Sustituir el filtro de agua. → <i>Página 79</i> <hr/> <p>Hay alimentos u objetos que bloquean el sensor de nivel de llenado del fabricante de cubitos de hielo.</p> <ul style="list-style-type: none"> ▶ Retirar todos los alimentos y objetos del depósito para cubitos de hielo. <hr/> <p>Falla en el fabricante de cubitos de hielo.</p> <ol style="list-style-type: none"> 1. Apagar el aparato. → <i>Página 72</i> 2. Desconectar el aparato de la red eléctrica. Extraer el enchufe del cable de conexión de red o desconectar el fusible de la caja de fusibles. 3. Volver a conectar el aparato tras cinco minutos. 4. Encender el aparato. → <i>Página 72</i> 5. Si la falla persiste, avisar al Servicio de atención al cliente. → <i>Página 89</i>
El fabricante de cubitos de hielo no funciona.	<p>La producción de cubitos de hielo está desactivada.</p> <ul style="list-style-type: none"> ▶ Encender la producción de cubitos de hielo. → <i>Página 80</i> <hr/> <p>No hay alimentación de agua.</p> <ul style="list-style-type: none"> ▶ Asegurarse de que haya alimentación de agua disponible y de que la válvula de cierre de la toma de agua esté abierta. <p>En caso necesario, ponerse en contacto con un instalador.</p> <hr/> <p>Hay una doblez en la manguera de agua.</p> <ul style="list-style-type: none"> ▶ Apagar el suministro de agua y rectificar la doblez de la manguera de agua. <p>En caso necesario, cambiar la manguera de agua.</p> <hr/> <p>Falla en el fabricante de cubitos de hielo.</p> <ol style="list-style-type: none"> 1. Apagar el aparato. → <i>Página 72</i>

Falla	Causas y resolución de problemas
El fabricante de cubitos de hielo no funciona.	<ol style="list-style-type: none"> Desconectar el aparato de la red eléctrica. Extraer el enchufe del cable de conexión de red o desconectar el fusible de la caja de fusibles. Volver a conectar el aparato tras cinco minutos. Encender el aparato. → <i>Página 72</i> Si la falla persiste, avisar al Servicio de atención al cliente. → <i>Página 89</i>
El aparato suena, burbujea, traquetea o emite zumbidos, chasquidos, crujidos o ruidos de agua en movimiento.	No se trata de una falla. Hay un motor en marcha (compresores, ventilador). Fluye refrigerante a través de los tubos. El motor, los interruptores, las electroválvulas o las válvulas de agua se conectan o desconectan. Se ejecuta el desescarchado automático. Los cubitos de hielo caen en el depósito para cubitos de hielo. No es necesario realizar ninguna acción.
El aparato hace ruidos.	<p>El aparato está colocado en posición desnivelada.</p> <ul style="list-style-type: none"> ▶ Nivelar el aparato con la ayuda de un nivel de burbuja y de las patas atornilladas. <p>El aparato no está libre.</p> <ul style="list-style-type: none"> ▶ Mantener las distancias mínimas del aparato. <p>Los elementos del aparato se tambalean o se quedan atascados.</p> <ul style="list-style-type: none"> ▶ Comprobar los elementos extraíbles y, en caso necesario, volver a introducirlos. <p>Las botellas o recipientes entran en contacto mutuo.</p> <ul style="list-style-type: none"> ▶ Separar las botellas o recipientes entre sí. <p>La función Supercongelación está activada. No es necesario realizar ninguna acción.</p>

17.1 Interrupción del suministro eléctrico

Al producirse un corte en el suministro eléctrico, la temperatura del aparato aumenta, lo que reduce el tiempo de almacenamiento y afecta a la calidad de los productos congelados.

Notas

- Durante el corte de suministro eléctrico, se recomienda abrir el aparato lo menos posible y no guardar nuevos alimentos.

- Al finalizar el corte de suministro eléctrico, es preciso comprobar la calidad de los alimentos.
 - Desechar los productos congelados que se hayan descongelado y estén a temperaturas superiores a los 41 °F (5 °C).
 - Los productos congelados que se hayan descongelado ligeramente se pueden cocinar o calentar ligeramente para su consumo; también es posible volver a congelarlos.

17.2 Ejecutar la autocomprobación del aparato

- Apagar el aparato. → *Página 72*
- Desenchufar el aparato de la red eléctrica.
Extraer el enchufe del cable de conexión de red o quitar el fusible de la caja de fusibles.
- Transcurridos cinco minutos, volver a conectar el aparato a la red eléctrica.
- Encender el aparato. → *Página 72*
- En los dos minutos siguientes después del encendido, mantener presionado menú durante 10 segundos hasta que suene una señal acústica.
 - ✓ Se inicia la autocomprobación del aparato.
 - ✓ Durante la autocomprobación del aparato suena una larga señal acústica.
 - ✓ Si, al finalizar la comprobación automática del aparato, suenan dos señales acústicas y aparece la temperatura ajustada en el indicador de temperatura, el aparato funciona correctamente. El aparato vuelve al modo de funcionamiento normal.
 - ✓ Si, al finalizar la comprobación automática del aparato, suenan cinco señales acústicas y aparece Er en el indicador de ajustes del submenú, se deberá avisar al Servicio de asistencia técnica...

18 Almacenamiento y eliminación

Aquí se explica cómo preparar el aparato para el almacenamiento. Además, se le ofrece información sobre cómo desechar correctamente los aparatos usados.

18.1 Interrumpir el funcionamiento del aparato

- Apagar el aparato. → *Página 72*
- Desenchufar el aparato de la red eléctrica.
Extraer el enchufe del cable de conexión de red o quitar el fusible de la caja de fusibles.
- Desconectar el aparato de la toma de agua.
- Extraer todos los alimentos.
- Desmontar el filtro de agua. → *Página 79*
- Limpiar el aparato. → *Página 81*
- Para asegurar la ventilación del interior del aparato, dejar la puerta abierta.

18.2 Eliminación de los aparatos usados

Mediante una eliminación respetuosa con el medio ambiente se pueden reutilizar materias primas valiosas.

⚠ ADVERTENCIA

Los niños pueden quedar encerrados en el aparato y poner así en peligro su vida.

- ▶ Retirar las puertas y los cajones del aparato.
- ▶ Dejar las bandejas y recipientes dentro del aparato para dificultar que los niños puedan acceder al interior del mismo.
- ▶ Mantenga a los niños lejos de los aparatos usados.

⚠ ADVERTENCIA

Si las tuberías están dañadas, se puede escapar refrigerante inflamable y gases nocivos, lo que puede provocar un incendio.

- ▶ No dañe las tuberías del circuito de refrigeración y aislamiento.

1. Desenchufar el cable de conexión a la red de la toma de corriente.
2. Separar el cable de conexión a la red.
3. Desechar el aparato de manera respetuosa con el medio ambiente.

Su distribuidor o el ayuntamiento local puede proporcionarle información sobre las vías y posibilidades actuales de desecho de materiales.

19 Servicio de atención al cliente

Si tiene preguntas, si no puede subsanar una avería o si el aparato debe ser reparado, diríjase a nuestro servicio de atención al cliente.

Nos esforzamos por encontrar una solución adecuada para usted y, de esta manera, evitar visitas innecesarias de un proveedor de servicios.

En cada reparación cubierta por la garantía, nos aseguramos de que su aparato sea reparado con repuestos originales por un proveedor de servicio capacitado y autorizado. Solo utilizamos repuestos originales para todos los tipos de reparaciones.

Las informaciones detalladas sobre el periodo de validez de la garantía y las condiciones de garantía las podrá encontrar en nuestras condiciones de garantía, con su distribuido o en nuestra página web.

Cuando se ponga en contacto con el servicio de atención al cliente, no olvide indicar el número de modelo (E-Nr.) y el número de fabricación (FD) de su aparato.

USA:

1-800-944-2904

www.bosch-home.com/us/owner-support/get-support

www.bosch-home.com/us/shop

CA:

1-800-944-2904

www.bosch-home.ca/en/service/get-support

www.bosch-home.ca/en/service/cleaners-and-accessories

Aquí podrá encontrar ayuda para la conexión con

Home Connect™:

www.home-connect.com/us/en/help-support/set-up

19.1 Número de modelo (E-Nr.) y número de fabricación (FD)

El número de modelo (E-Nr.) y el número de fabricación (FD) se encuentran en la placa de características del aparato.

→ "Aparato", Fig. 1/13, Página 68

Para volver a encontrar rápidamente los datos del aparato o el número de teléfono del servicio de atención al cliente, puede anotar dichos datos.

20 Datos técnicos

El refrigerante utilizado, la capacidad útil y otros datos técnicos se pueden encontrar en la placa de identificación.

→ "Aparato", Fig. 1/13, Página 68



Blank lined paper for writing.



Thank you for buying a Bosch Home Appliance!

Register your new device on MyBosch now and profit directly from:

- **Expert tips & tricks for your appliance**
- **Warranty extension options**
- **Discounts for accessories & spare-parts**
- **Digital manual and all appliance data at hand**
- **Easy access to Bosch Home Appliances Service**

Free and easy registration – also on mobile phones:
www.bosch-home.com/welcome

BOSCH
HOME APPLIANCES
SERVICE

Looking for help? You'll find it here.

Expert advice for your Bosch home appliances, help with problems or a repair from Bosch experts.

Find out everything about the many ways Bosch can support you:

www.bosch-home.com/service

Contact data of all countries are listed in the attached service directory.

BSH Home Appliances Corporation

1901 Main Street, Suite 600

Irvine, CA 92614

USA

www.bosch-home.com

1-800-944-2904

© 2021 BSH Home Appliances Corporation



9001602134 (010226)

en-us, fr-ca, es-mx