

24" Compact Heat Pump Dryer

500 Series Dryer with Home Connect® – WTW87NH1UC



WTW87NH1UC
White

The 500 series washer & dryer are one of the only ENERGY STAR® Most Efficient certified 24" matching pairs available¹.

Features & Benefits

The patented self-cleaning condenser keeps energy usage constantly low for life by regularly rinsing fluff from the condenser with every cycle.

North America's only self-cleaning condenser eliminates the need to regularly clean and rinse the condenser area².

Most energy efficient heat pump dryer in its class³.

Remotely control and monitor your dryer with Home Connect®

The 4.0 cu. ft. drum has large capacity to fit a variety of loads.



General Properties	
Dryer type	Heat Pump
Drum material	Stainless Steel
Interior light	No
Ventless drying (no ducting)	Yes
Stackable	Yes with Stacking Kit Accessory
Silence level (dBA)	65
Programs (No.), [Special]	(14), [Sanitize, Outdoor/Sport]
Options (No.), [Special]	(8), [Remote Start, Dryness Level]
Energy consumption (kWh/yr)	123
ENERGY STAR® certified	Most Efficient of 2020

Capacity	
Capacity (cu. ft.)	4.0

Design Elements	
Door ring	Silver
Control type	Premium LED touch
Dial	Silver
Bosch logo on door glass	Yes

Technical Details	
Energy source	Electric
Watts (W)	900
Circuit breaker (A)	15*
Volts (V)	208/220-240
Current (A)	3.5
Frequency (Hz)	60
Plug type	240V; NEMA 6-15 (3 prong)
Power cord included	Yes
Power cord length (in)	63 (Full Length)

Technical Details (continued)	
Drain hose length (in)	78 (Full Length)
Door hinge	Right Side (Reversible)

Dimensions & Weight	
Overall appliance dimensions (HxWxD) (in)	33 1/4" x 23 1/2" x 25"
Net weight (lbs)	125
Minimum stack height (in)	67 3/4"

ADA compliance
 – Meets ADA height and access requirements *when installed on pedestal*.
 – Meets ADA operable parts requirements for controls and lint filter.

Accessories



WTZ11400UC
Stacking Kit with Shelf



WTZ20410UC
Stacking Kit without Shelf



WTZPW20D
Pedestal



WMZ20600
Drying Rack



WTZPA20UC
Power Adapter
(Included with Dryer)

¹ Based on Most Efficient residential washers ≤2.5 cu.ft with a corresponding Most Efficient ventless ≤24 inch dryer as listed on Energystar.gov as of August 2020.

² Based on ≤24 inch compact heat pump dryers available for sale as of August 2020 with ENERGY STAR certification.

³ Based on DOE/EPA energy test procedures of compact dryers ≤24 inches with ENERGY STAR certification.

*Stated circuit breaker size is if the appliance is plugged into an individual 240/208V, 15A minimum branch circuit. Dryer is supplied with a power adapter to fit into a standard 4-prong 30A Dryer receptacle (NEMA 14-30R) and power both Bosch Washer and Dryer.

Accessories: To purchase Bosch accessories, cleaners & parts please visit www.bosch-home.com/us/store or call 1-800-944-2904 (Mon to Fri 5 am to 6 pm PST, Sat 6 am to 3 pm PST).

Notes: All height, width and depth dimensions are shown in inches. BSH reserves the absolute and unrestricted right to change product materials and specifications, at any time, without notice. Consult the product's installation instructions for final dimensional data and other details prior to making cutout.

Warranties: Please see Use & Care manual or Bosch website for statement of limited warranty.

For more information on our entire line of products, go to www.bosch-home.com/us or call 1-800-944-2904

© BSH Home Appliances Corporation. All rights reserved. Bosch is a registered trademark of Robert Bosch GmbH.

24" Compact Heat Pump Dryer

500 Series Dryer with Home Connect® – WTW87NH1UC

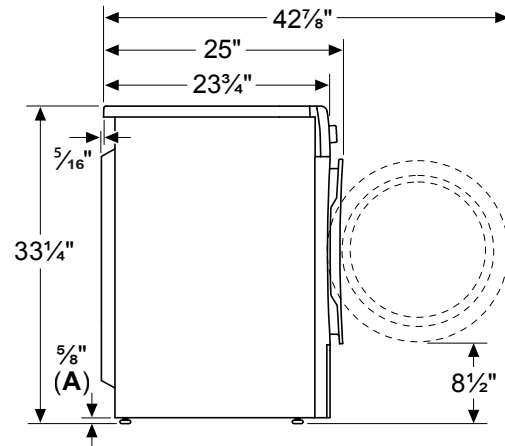
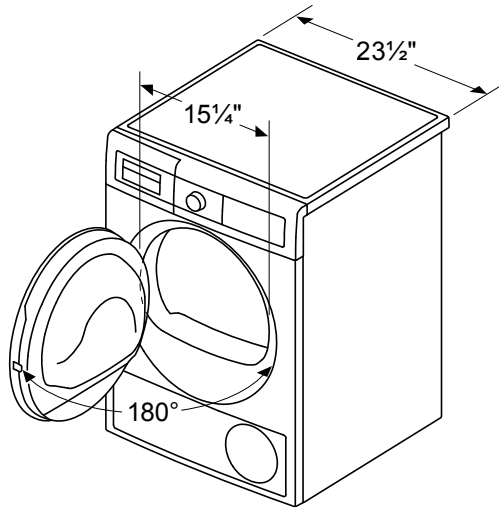


BOSCH

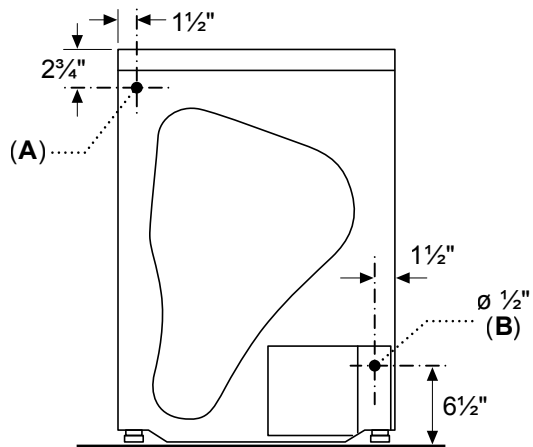
Invented for life



Installation Details

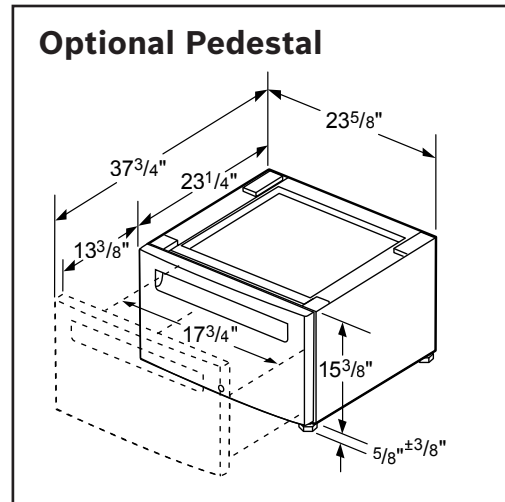


A: 5/8" nominal; 1/2" minimum; 1" maximum



A: Power cord exit
B: Drain exit

measurements in inches



Optional Pedestal

Accessories: To purchase Bosch accessories, cleaners & parts please visit www.bosch-home.com/us/store or call 1-800-944-2904 (Mon to Fri 5 am to 6 pm PST, Sat 6 am to 3 pm PST).

Notes: All height, width and depth dimensions are shown in inches. BSH reserves the absolute and unrestricted right to change product materials and specifications, at any time, without notice. Consult the product's installation instructions for final dimensional data and other details prior to making cutout.

Warranties: Please see Use & Care manual or Bosch website for statement of limited warranty.

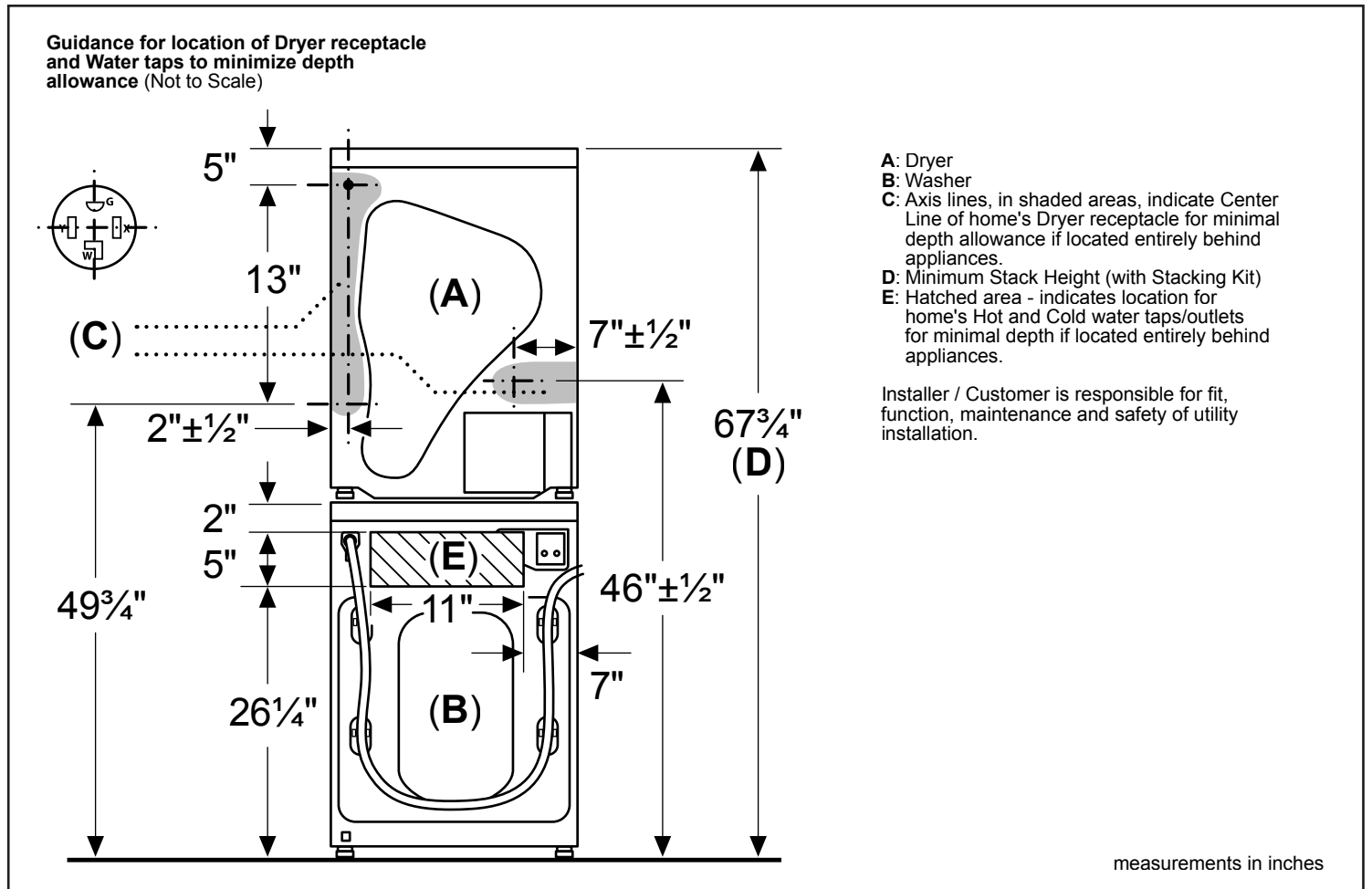
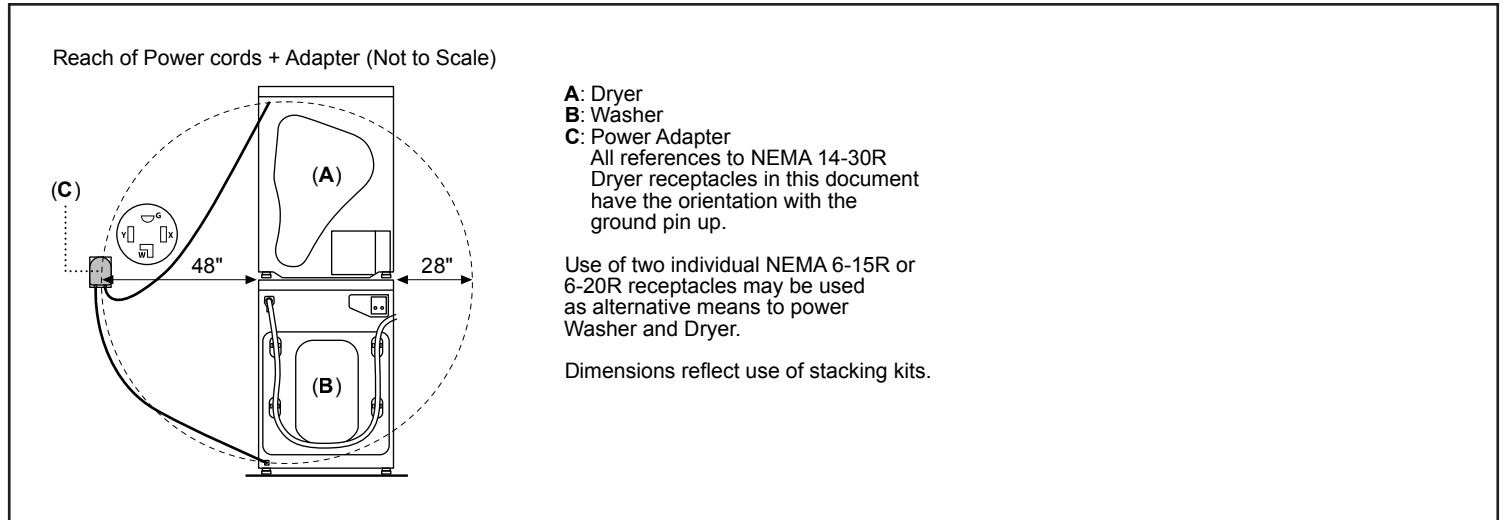
For more information on our entire line of products, go to www.bosch-home.com/us or call 1-800-944-2904

© BSH Home Appliances Corporation. All rights reserved. Bosch is a registered trademark of Robert Bosch GmbH.

24" Compact Heat Pump Dryer

500 Series Dryer with Home Connect® – WTW87NH1UC

Installation Details



Accessories: To purchase Bosch accessories, cleaners & parts please visit www.bosch-home.com/us/store or call 1-800-944-2904 (Mon to Fri 5 am to 6 pm PST, Sat 6 am to 3 pm PST).

Notes: All height, width and depth dimensions are shown in inches. BSH reserves the absolute and unrestricted right to change product materials and specifications, at any time, without notice. Consult the product's installation instructions for final dimensional data and other details prior to making cutout.

Warranties: Please see Use & Care manual or Bosch website for statement of limited warranty.

For more information on our entire line of products, go to www.bosch-home.com/us or call 1-800-944-2904

© BSH Home Appliances Corporation. All rights reserved. Bosch is a registered trademark of Robert Bosch GmbH.

24" Compact Heat Pump Dryer

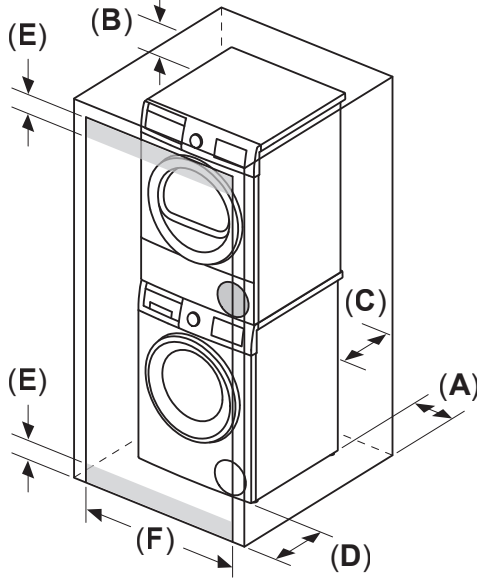
500 Series Dryer with Home Connect® – WTW87NH1UC



BOSCH
Invented for life

Installation Details

Closet: Stacked Washer with Heat Pump Dryer



Minimum clearance requirements (Stacked, Stand Alone or Side by Side):

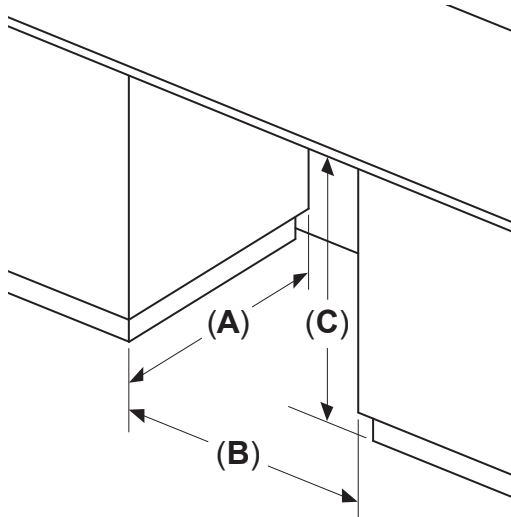
- A: Both sides (left and right) – 1/2"
- B: Top – 6 1/4"
- C: Rear – 3"
- D: Front – 1/2"

Minimum door undercut (louvered area):

- E: Undercut height (Top and Bottom) – 1 1/4"
Louvered areas of equal total sizes and split between upper and lower portions of door are permitted.
- F: Undercut width (Top and Bottom):
 - 24" minimum for Stacked and Stand Alone
 - 48" minimum for Side by Side

For shortest drying times keep closet door open while dryer is operating. When closet doors are closed, open areas only allow minimal drying results (expect long drying times).

Under Counter (Preferred)

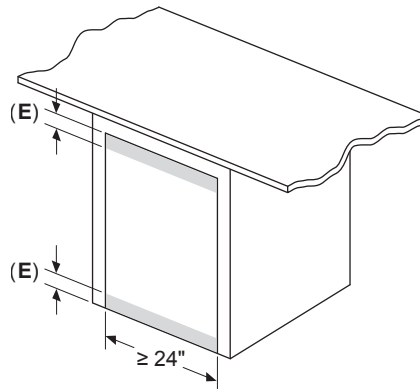


Minimum opening dimensions:

- A: Depth – 28"
- B: Width – 23 7/8"
- C: Height – 34 1/2"

Front of appliance fully open.
No doors or coverings.

Under Counter Enclosed (Less Preferred)



Minimum door undercuts:

- E: Undercut height (Top and Bottom) – 1 1/4"
Louvered areas of equal total sizes and split between upper and lower portions of door are permitted.

For shortest drying times keep cabinet door open while dryer is operating. When cabinet door is closed, open areas only allow minimal drying results (expect long drying times).

measurements in inches

Accessories: To purchase Bosch accessories, cleaners & parts please visit www.bosch-home.com/us/store or call 1-800-944-2904 (Mon to Fri 5 am to 6 pm PST, Sat 6 am to 3 pm PST).

Notes: All height, width and depth dimensions are shown in inches. BSH reserves the absolute and unrestricted right to change product materials and specifications, at any time, without notice. Consult the product's installation instructions for final dimensional data and other details prior to making cutout.

Warranties: Please see Use & Care manual or Bosch website for statement of limited warranty.

For more information on our entire line of products, go to www.bosch-home.com/us or call 1-800-944-2904

© BSH Home Appliances Corporation. All rights reserved. Bosch is a registered trademark of Robert Bosch GmbH.