



Register your
appliance and join
the Bosch
family of perks:
[bosch-home.com/us/
mybosch](https://bosch-home.com/us/mybosch)



Gas cooktop

NGMP058UC **NGMP658UC**

[en-us]	Installation Instructions	Gas cooktop	2
[fr-ca]	Instructions d'installation	Surface de cuisson au gaz	18
[es-mx]	Instrucciones de instalación	Placa a gas	36

Table of contents

1 IMPORTANT SAFETY INSTRUCTIONS.....	3
1.1 Safety definitions.....	4
1.2 General information.....	4
1.3 General safety instructions.....	4
1.4 Appliance handling safety	5
1.5 Safety codes and standards.....	5
1.6 Electrical safety.....	5
1.7 Gas safety.....	5
1.8 Propane gas installation.....	6
1.9 Ventilation recommendations	6
1.10 High altitude installation	6
1.11 State of California Proposition 65 Warnings	6
2 Before you begin.....	7
2.1 Parts included	7
2.2 Tools and parts needed	7
2.3 General requirements	7
2.4 Cabinet requirements.....	7
2.5 Countertop requirements	7
2.6 Gas requirements	8
2.7 Electrical requirements.....	8
3 Prepare installation space.....	8
3.1 Installation dimensions	8
4 Installation procedure	9
4.1 Preparing the cooktop	9
4.2 Installing the pressure regulator	10
4.3 Securing the cooktop to the countertop.....	10
4.4 Connection overview.....	11
4.5 Connecting the gas supply line	11
4.6 Connecting the electrical supply.....	12
4.7 Assembling the burner parts	12
4.8 OptiSim® feature	13
4.9 Installing the burner grates.....	13
4.10 Checking the installation	13
5 Conversion to LP gas	14
5.1 Converting the pressure regulator	14
5.2 Replacing the orifices.....	15
5.3 Adjusting the gas valves	15
5.4 Burner chart	16
6 Customer Service	17
6.1 Model number (E-Nr.) and production number (FD)	17
6.2 Rating plate location.....	17



IMPORTANT SAFETY INSTRUCTIONS

READ AND SAVE THESE INSTRUCTIONS

Read all instructions carefully before use. These precautions will reduce the risk of electrical shock, fire and injury to persons. When using kitchen appliances, basic safety precautions must be followed including those in the following pages.

⚠ WARNING: If the information in these instructions is not followed exactly, a fire or explosion may result causing property damage, personal injury or death.

- Do not store or use gasoline or other flammable vapors and liquids in the vicinity of this or any other appliance.
- **WHAT TO DO IF YOU SMELL GAS**
 - Do not try to light any appliance.
 - Do not touch any electrical switch.
 - Do not use any phone in your building.
 - Immediately call your gas supplier from a neighbor's phone. Follow the gas supplier's instructions.
 - If you cannot reach your gas supplier, call the fire department.
- Installation and service must be performed by a qualified installer, service agency or the gas supplier.

⚠ WARNING:

Never Operate the Top Surface Cooking Section of this Appliance Unattended.

- Failure to follow this warning statement could result in fire, explosion, or burn hazard that could cause property damage, personal injury, or death.
- If a fire should occur, keep away from the appliance and immediately call your fire department.

**DO NOT ATTEMPT TO EXTINGUISH
AN OIL/GREASE FIRE WITH WATER.**



IMPORTANT SAFETY INSTRUCTIONS

READ AND SAVE THESE INSTRUCTIONS

1.1 Safety definitions

Here you can find explanations of the safety signal words used in this manual.

WARNING

This indicates that death or serious injuries may occur as a result of non-observance of this warning.

CAUTION

This indicates that minor or moderate injuries may occur as a result of non-observance of this warning.

NOTICE:

This indicates that damage to the appliance or property may occur as a result of non-compliance with this advisory.

Note: This alerts you to important information and/or tips.

1.2 General information

- Read this manual carefully.
- Keep the manual and the product information in a safe place for future reference or for the next owner.
- Do not connect the appliance if it has been damaged in transit.

1.3 General safety instructions

IMPORTANT: THE APPLIANCE MUST BE INSTALLED BY A QUALIFIED INSTALLER.

IMPORTANT: SAVE THESE INSTRUCTIONS FOR THE LOCAL ELECTRICAL INSPECTOR'S USE.

OWNER: PLEASE RETAIN THESE INSTRUCTIONS FOR FUTURE REFERENCE.

INSTALLER: LEAVE THESE INSTRUCTIONS WITH THE APPLIANCE AFTER INSTALLATION IS COMPLETE.

Examine the appliance after unpacking it. In the event of transport damage, do not plug it in.

WARNING

If the information in this manual is not followed exactly, fire or shock may result causing property damage or personal injury.

Do not repair, replace or remove any part of the appliance unless specifically recommended in the manuals. Improper installation, service or maintenance can cause injury or property damage.

- ▶ Refer to this manual for guidance.

- ▶ All other servicing should be done by an authorized service provider.

Disconnect electrical and gas supply before servicing.

When installing a cooktop over a single oven, be sure to follow the instructions in both the oven's and the cooktop's installation manuals.

- ▶ You can find a list of approved combinations of cooktop and oven in the Approved Combination Matrix of your cooktop, or you can contact Customer Service for the latest list of approved combinations. Do not try to install your cooktop over any oven that is not stated in that list.

Never modify or alter the construction of the appliance.

The appliance should only be used if installed by a qualified technician in accordance with these installation instructions. The manufacturer is not responsible for any damage resulting from incorrect installation.

To eliminate the risk of burns or fire by reaching over heated surface units, cabinet storage space located above the surface units should be avoided.

- ▶ If cabinet storage is to be provided, the risk can be reduced by installing a hood that projects horizontally a minimum of 5" (127 mm) beyond the bottom of the cabinet.
- ▶ Verify that cabinets above the cooktop are a maximum of 13" (330 mm) deep.

WARNING

The bottom of the cooktop can become hot.

- ▶ If the cooktop is not installed in combination with an oven, install a horizontal panel below the cooktop to prevent accidental contact. Refer to the section on installing a horizontal panel. → *Page 9*

WARNING

Remove all tape and packaging before using the appliance.

- ▶ Destroy the packaging after unpacking the appliance.
- ▶ Dispose of packaging in an environmentally responsible manner.
- ▶ Never allow children to play with packaging material.
- ▶ Store small parts safely as they can be a choke hazard.



IMPORTANT SAFETY INSTRUCTIONS

READ AND SAVE THESE INSTRUCTIONS

1.4 Appliance handling safety

WARNING



Hidden surfaces may have sharp edges.

- ▶ Use caution when reaching behind or under appliance.

1.5 Safety codes and standards

This appliance complies with the latest version of one or more of the following standards:

- ANSI Z21.1 / CSA 1.1 Household Cooking Gas Appliances
- Installation must conform with local codes or, in the absence of local codes, with the National Fuel Gas Code, ANSI Z223.1/NFPA 54 or, in Canada, the Natural Gas and Propane Installation Code, CSA B149.1.

It is the responsibility of the owner and the installer to determine if additional requirements and/or standards apply to specific installations.

1.6 Electrical safety

- **Installer** - show the owner the location of the circuit breaker or fuse. Mark it for easy reference.
- If required by the National Electrical Code (or Canadian Electrical Code), this appliance must be installed on a separate branch circuit.
- Local codes vary. The installer is responsible for ensuring that the installation, connections, and grounding comply with all applicable codes. The manufacturer is not responsible for any issues associated with the improper installation of this product.
- The appliance must be electrically grounded in accordance with local codes or, in the absence of local codes, with the National Electrical Code, NFPA 70 latest edition or, in Canada, the Canadian Electric Code, CSA C22.1-02.
- Be sure your appliance is properly installed and grounded by a qualified technician. Installation, electrical connections and grounding must comply with all applicable codes.
- Do not use an extension cord.
- Do not use an adapter.
- Refer to the rating plate for more information.
→ "Rating plate location", Page 17

WARNING

Before installing, turn power OFF at the service panel.

- ▶ Lock service panel to prevent power from being turned ON accidentally.

For appliances equipped with a cord and plug, do not cut or remove the ground prong.

- ▶ It must be plugged into a matching grounding type receptacle to avoid electrical shock.
- ▶ If there is any doubt as to whether the wall receptacle is properly grounded, the customer should have it checked by a qualified electrician.

GROUNDING INSTRUCTIONS

- ▶ This appliance must be grounded.
- ▶ Grounding reduces the risk of electric shock by providing a safe pathway for electric current in the event of a short circuit.
- ▶ Be sure your appliance is properly installed and grounded by a qualified technician.
- ▶ Installation, electrical connections and grounding must comply with all applicable codes.

Do not use an extension cord. If the power supply cord is too short, have a qualified electrician install an outlet near the appliance.

Before you plug in an electrical cord, be sure all controls are in the OFF position.

Before you turn on power supply, make sure all controls are in the OFF position.

1.7 Gas safety

Requirements for gas supply:

- Install a gas shutoff valve near the appliance. It must be easily accessible in an emergency.
- Leak testing must be conducted by the installer according to the instructions in this manual.
- The appliance and its individual shutoff valve must be disconnected from the gas supply piping system during any pressure testing at pressures in excess of ½ psi (3.5 kPa).
- The appliance must be isolated from the gas supply piping system by closing its individual manual shutoff valve during any pressure testing of the gas supply piping system at test pressures equal to or less than ½ psi (3.5 kPa).
- The minimum supply pressure must be 1" water column above the manifold pressure printed on the rating label. The maximum supply pressure must not exceed 14.0 inches water column (34.9 Millibars).



IMPORTANT SAFETY INSTRUCTIONS

READ AND SAVE THESE INSTRUCTIONS

- A metal flex line or fixed metal pipe shall be used to connect gas to the appliance. If a metal gas line cannot be used, consult your local certified electrician or local electric codes for proper grounding.

IMPORTANT SAFETY NOTICE: Burning gas cooking fuel generates some by-products which are on the list of substances which are known by the State of California to cause cancer or reproductive harm. To minimize exposure to these substances, always operate this unit according to the instructions contained in this booklet and provide good ventilation.

1.8 Propane gas installation

- The propane gas tank must be equipped with its own high pressure regulator. In addition, the regulator supplied with this unit must also be used.
- The appliance is shipped from the factory for use with natural gas. It must be converted for use with propane. A qualified technician or certified installer must do the conversion.
- For use with propane the appliance must be converted per the LP conversion instructions.
→ *"Conversion to LP gas", Page 14*

For Massachusetts installations

- Installation must be performed by a qualified or licensed contractor, plumber or gas fitter qualified or licensed by the state, province or region where this appliance is being installed.
- Shut-off valve must be a "T" handle gas cock.
- Flexible gas connector must not be longer than 36 inches.

Installer - show the owner where the gas shut-off valve is located.

1.9 Ventilation recommendations

We strongly recommend the installation of a ventilation hood above this appliance.

The hood must be installed according to instructions furnished with the hood.

WARNING

The appliance should not be installed with a ventilation system that blows air downward toward the burners. This type of ventilation system may cause ignition and combustion problems with the gas cooking appliance resulting in personal injury or unintended operation.

1.10 High altitude installation

This appliance has been tested for operation up to an altitude of 10,100 ft (3,080 m) elevation above sea level.

For altitudes above 2,000 ft (610 m) elevation above sea level, burner flame adjustments may be necessary.

Burners should be checked at the lowest setting, if the flame is not stable the simmer should be increased until the flame is stable. This can be done by adjusting the by-pass screw in the valve. If flame performance is satisfactory, adjustment will not be required. It is required that a certified professional make the high altitude adjustments during installation.

1.11 State of California Proposition 65 Warnings

This product may contain a chemical known to the State of California, which can cause cancer or reproductive harm. Therefore, the packaging of your product may bear the following label as required by California:

STATE OF CALIFORNIA PROPOSITION 65 WARNING:



Cancer and Reproductive Harm - www.P65Warnings.ca.gov

2 Before you begin

Read these instructions before you begin to install your appliance.

2.1 Parts included

After unpacking all the parts, check for any damage in transit and for completeness of delivery.

- Cooktop
- Foam tape
- Hold-down brackets (4)
- Screws, #10-32 x 2½" (63.8 mm), (4)
- Sheet metal screws, #8 x 3/8" (9.5 mm), (4)
- Washers (4)
- Burner grates (3)
- Burners (5)
- Burner caps (6)
- Pressure regulator
- LP gas conversion kit

2.2 Tools and parts needed

Prepare these tools and accessories before you start to install your appliance.

- Pencil
- Measuring tape
- Cross head screwdriver
- Drill with bit 1/4" (6 mm)
- Jigsaw
- Adjustable wrench
- Teflon® tape - gas rated
- Flathead screwdriver, 1/8"

Additional tools needed for LP gas conversion

- 7 mm socket wrench
- 7 mm open end wrench
- T10 star bit screwdriver
- T20 star bit screwdriver
- Small piece of tape

Notes

- For stand-alone installation a horizontal panel below the cooktop may be needed.
→ *"Installation with horizontal panel", Page 9*
- Additional materials may be necessary for installation in solid surface countertops. Contact the countertop manufacturer.

2.3 General requirements

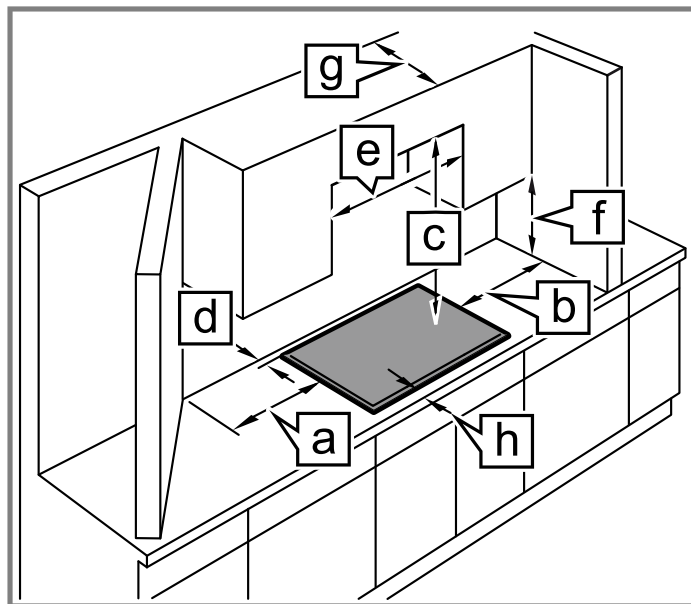
Ensure that the following requirements are met when planning the installation of your appliance.

- Plan the installation of the unit so that the power cord, gas shut-off valve and gas pressure regulator are accessible from the front of the cabinet.
- Make sure the gas supply line does not interfere with the back of the appliance.
- The cabinet in which the cooktop is installed must be properly secured, level and stable.
- Any laminated coverings and glue on cabinets next to the cooktop must be made of non-flammable and heat resistant materials. Refer to local building codes for acceptable materials.
- This appliance cannot be installed above refrigerators, washing machines, dishwashers or similar.

- If the cooktop will be installed in combination with an oven, refer to the Approved Combination Matrix included with the product for cutout and clearance dimensions.

2.4 Cabinet requirements

Ensure that the cabinetry at the installation location meets the requirements for a safe installation.



The minimum spaces that must be maintained when installing the gas cooktop shall be the following:

a	min. 13" (330 mm) for installation next to oven min. 13" (330 mm)
b	min. 13" (330 mm) for installation next to oven min. 13" (330 mm)
c	min. 30" (762 mm) clearance between the top of the cooking surface and the bottom of combustible constructions
d	min 3" (76 mm); for installation in kitchen islands, min. 4" (100 mm)
e	For 30" cooktops: min. 30" (760 mm) centered over cooktop
e	For 36" cooktops: min. 36" (914 mm) centered over cooktop
f	min. 18" (458 mm)
g	max. 13" (330 mm)
h	min. 1¾" (48 mm); for installation in kitchen islands, min. 4" (100 mm)

2.5 Countertop requirements

Ensure that the countertop into which the cooktop is to be installed meets these requirements for a safe installation.

⚠ WARNING

To reduce the risk of ignition of surrounding combustible materials, install at least 13" (330 mm) from both sidewalls and at least 3" (76 mm) from the rear wall.

- The countertop must be level.
- The stability of the countertop must be maintained after the cut-out has been made.

- Solid surface or laminate countertops often require special installations. For example, heat-reflective tape and rounded corners may be necessary. Contact the countertop manufacturer for instructions specific to your countertop.

2.6 Gas requirements

Ensure that the requirements for the gas supply are met. The cooktop is shipped from the factory for use with natural gas. For use with LP conversion, a certified technician or installer must do the conversion.

Supply pressure:

- Natural Gas: 7 inches water column (17.4 Millibars)
- Propane Gas: 11 inches water column (27.4 Millibars)
- The propane gas tank must be equipped with its own high pressure regulator in addition to the pressure regulator supplied with this unit.

2.7 Electrical requirements

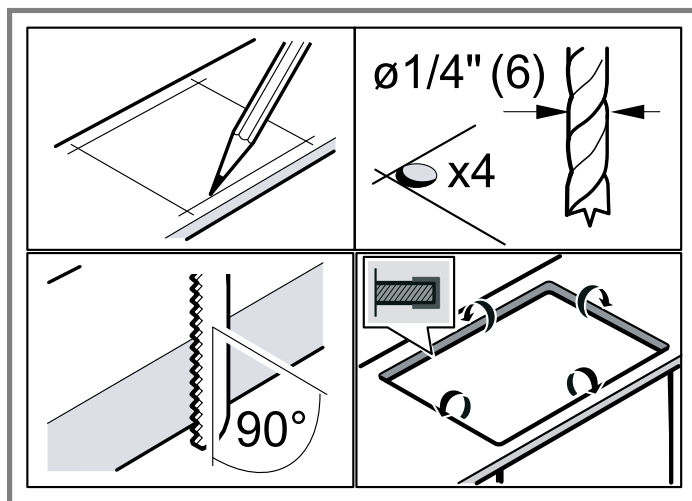
Ensure that the following electrical requirements are met.

⚠ CAUTION

Do not use an extension cord with this appliance.

- This appliance requires a 60 Hz, 15 Amp, 120 V/AC connection.
- The appliance is equipped with a 40" (1000 mm) power cord.

3.1 Installation dimensions



- The power connection must remain accessible from the front of the cabinet after the installation is complete.

3 Prepare installation space

Create the cutout in the countertop according to the instructions.

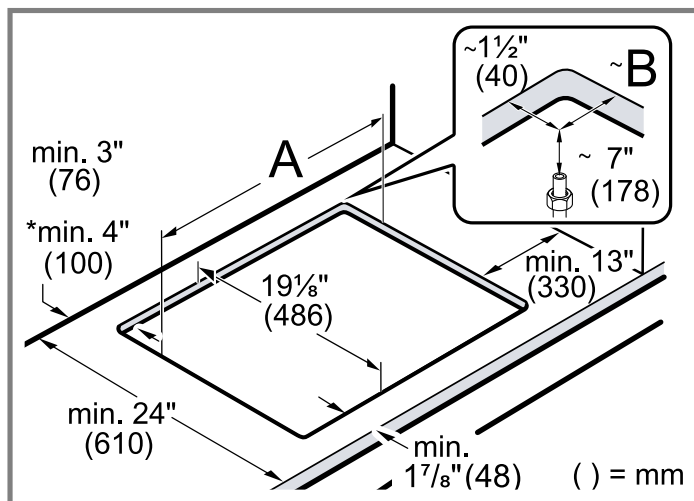
General countertop requirements:

- The angle of the cut surface to the countertop surface must be 90° .
- With multi-layered countertops, secure strips laterally in the cutout if necessary.
- After creating the cutout, remove all debris.
- Follow the countertop manufacturer's recommendations for protecting the cut edges, e.g. apply heat resistant foil tape.
- If the cooktop will be installed in combination with an oven, refer to the Approved Combination Matrix included with the product for cutout and clearance dimensions.

⚠ WARNING

The bottom of the cooktop can become hot.

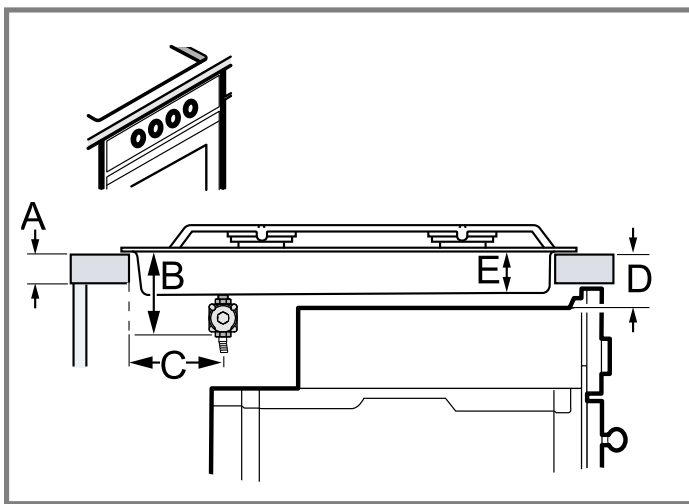
- ▶ If the cooktop is not installed in combination with an oven, install a horizontal panel below the cooktop to prevent accidental contact. Refer to the section on installing a horizontal panel. → Page 9



*For installation in a kitchen island.

	NGMP058UC	NGMP658UC
A	$28\frac{15}{16}'' (735 \text{ mm})$	$34\frac{15}{16}'' (887 \text{ mm})$
B	$7\frac{1}{4}'' (184 \text{ mm})$	$10\frac{1}{4}'' (260 \text{ mm})$

Installation over oven



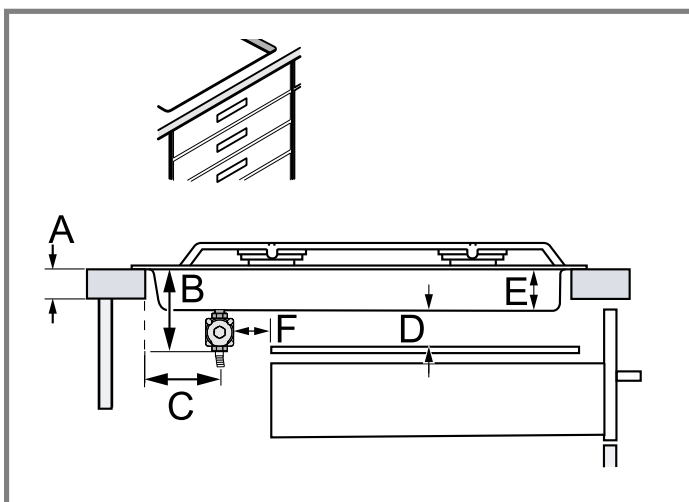
A	min. 3/4" (19 mm) max. 2" (50 mm)
B	5 7/8" (150 mm)
C	2 3/4" (70 mm)
D	Refer to Approved Combination Matrix
E	2 3/8" (60)

Installation with horizontal panel

If there is no oven beneath the cooktop, install a horizontal panel. To allow access to the power supply connection and regulator maintain a minimum clearance of 3/8" (10 mm) from the edges of the panel (F).

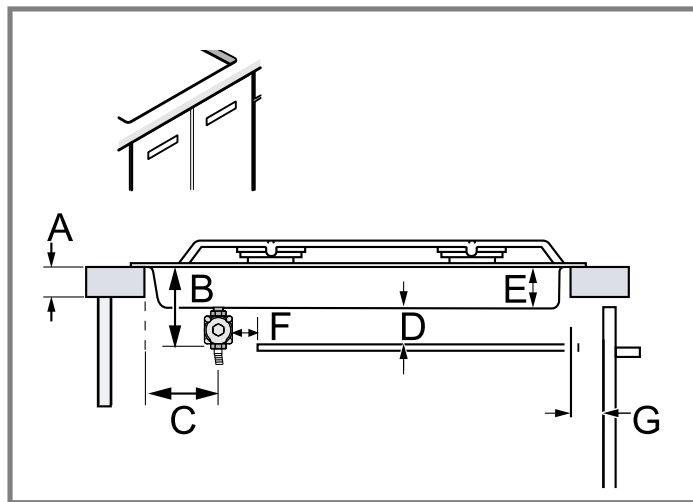
IMPORTANT: Complete the installation of the cooktop before installing the horizontal panel.

Installation above a drawer



A	min. 3/4" (19 mm) max. 2" (50 mm)
B	5 7/8" (150 mm)
C	2 3/4" (70 mm)
D	min. 0" (0 mm)
E	2 3/8" (60)
F	min. 3/8" (10 mm)

Installation above a cabinet door



A	min. 3/4" (19 mm) max. 2" (50 mm)
B	5 7/8" (150 mm)
C	2 3/4" (70 mm)
D	min. 0" (0 mm)
E	2 3/8" (60)
F	min. 3/8" (10 mm)
G	min. 1" (25)

4 Installation procedure

Follow these instructions to install the cooktop into the countertop.

⚠ CAUTION

Sharp edges.

- ▶ Use protective gloves when installing the appliance.

⚠ CAUTION

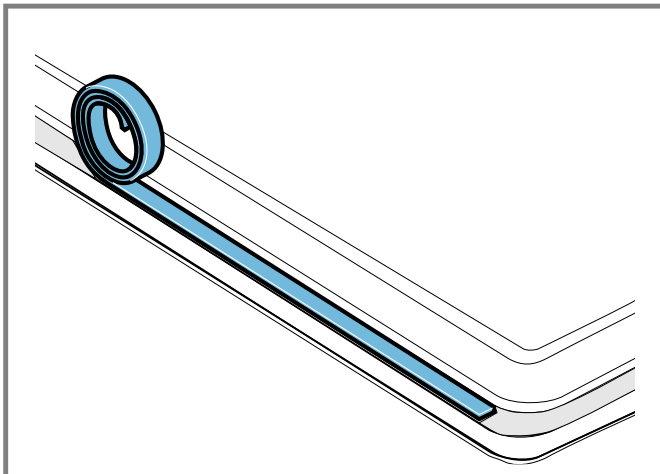
The appliance is heavy.

- ▶ It is recommended that two people install this appliance.

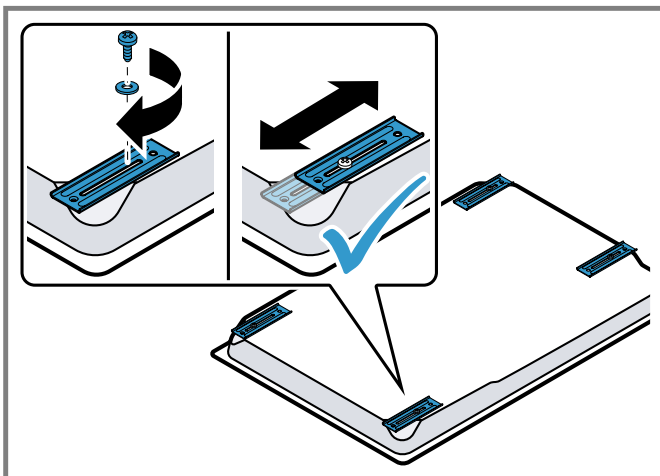
4.1 Preparing the cooktop

1. Place the cooktop face down on a soft and stable surface. Use the foam sheet from the packaging to protect surfaces from scratching.

- Apply the included foam sealing tape around the edges of the underside of the appliance along the rough-in box flange.



- Attach the hold-down brackets to the underside of the cooktop with the provided short screws and washers. Loosely tighten the screws so the clamps do not move freely. Rotate the hold-down brackets so that the appliance can be placed in the cutout.



Note: The rating plate will not be accessible after installation. Make a note of your appliance's details or refer to the enclosed appliance certificate.

→ "Rating plate location", Page 17

4.2 Installing the pressure regulator

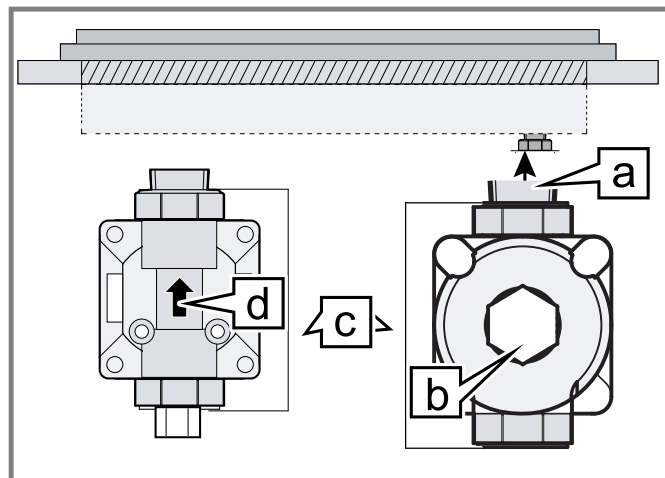
⚠ WARNING

Do not attempt any adjustment of the pressure regulator, except when converting to propane. Adjustments could lead to leaks or cause incorrect gas pressure to the appliance.

Make sure the used gas connection line is not connected to the gas supply, before carrying out the following steps.

Note: All pipe connections must be sealed in accordance with local codes.

- Identify the parts of the pressure regulator.



a	Appliance manifold connection
b	Conversion cap
c	Pressure regulator
d	Arrow on pressure regulator, shows the direction of gas flow

- Apply Teflon® tape on the threads of the manifold pipe. Install the pressure regulator (supplied with cooktop) to the gas inlet with the gas flow arrow facing the manifold inlet.
- Firmly hand tighten the regulator, then further tighten ¼ turn to a maximum of one complete turn. Align the regulator so that the conversion cap is easily accessible.
- ⚠ **WARNING** Never reuse a gas connector. Repeated bending, flexing, or extreme vibration will cause metal fatigue and must be avoided.

Apply Teflon® tape to the male threads, then connect a new ½" metal flex line or fixed metal pipe connection to the pressure regulator.

Note: For installations with little space, use a 90° street elbow (not supplied) to orient the regulator horizontally.

4.3 Securing the cooktop to the countertop

The cooktop must be secured from below using the hold-down brackets provided.

⚠ WARNING

Before installing, turn power OFF at the service panel.

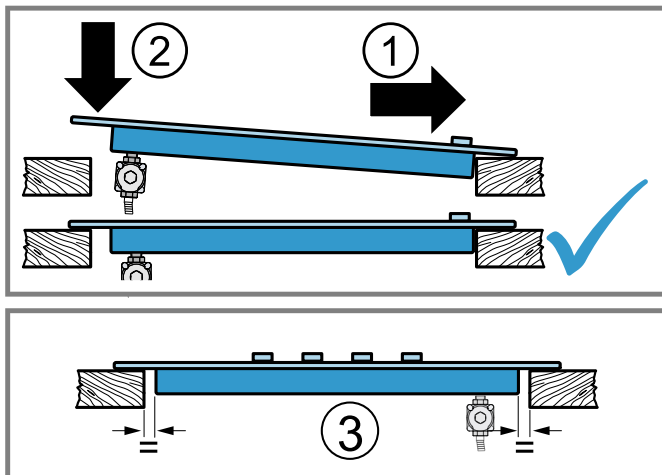
- ▶ Lock service panel to prevent power from being turned ON accidentally.

1. **CAUTION** Do not let the cooktop drop into place.

- ▶ Make sure that the cooktop is supported along the edges when carefully placing it into the cutout.

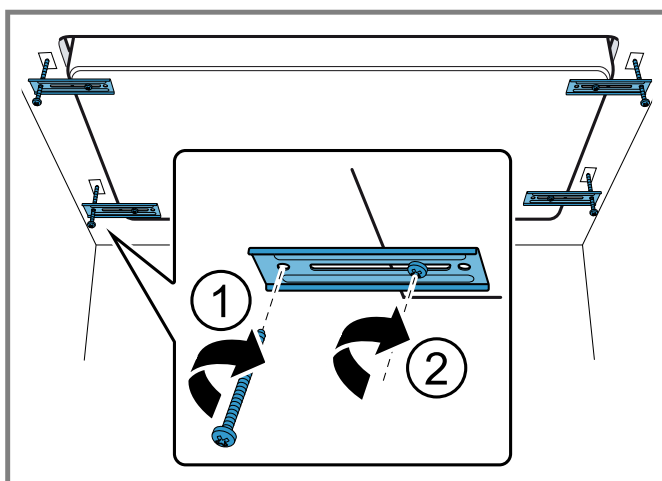
Turn the cooktop over carefully making sure not to damage the pressure regulator and gas line.

- Place the cooktop carefully into the countertop cutout, pulling it towards the front of the cutout ①.
- Lower the rear of the cooktop so that it rests flat on the counter ②.
- Center the cooktop left and right in the cutout ③.



2. Insert the 2½" clamping screws into the threaded holes of the hold-down brackets, slide or rotate the brackets so that the clamping screws will contact the underside of the countertop.

- Protect delicate countertops by placing a wooden disk underneath.
- Hand-tighten the first screw and check the cooktop position, then secure the cooktop by tightening all clamping screws ①.
- Tighten the screws to the cooktop ②.

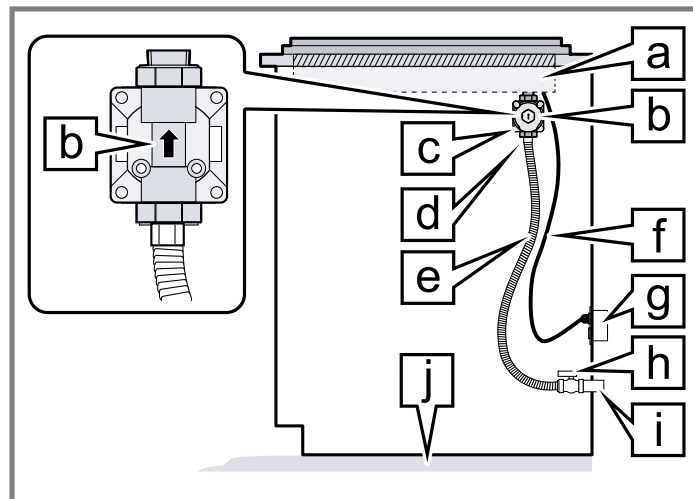


Note: Do not use silicone to glue the cooktop to the countertop surface.

4.4 Connection overview

Refer to this illustration for the location of the gas and electric connection of the appliance.

Note: Your appliance is equipped for use with natural gas on delivery. If you want to use your appliance with LP gas refer to the section on LP gas conversion before continuing with the installation. → Page 14



- a Cooktop rough-in box
- b Arrow on pressure regulator, shows the direction of gas flow
- c Pressure regulator
- d ½" female pipe threads
- e Metal flex gas line
- f Power cord (40"/1 m)
- g 120 V receptacle
- h Gas cut-off valve
- i Gas supply line connection fitting
- j Floor

4.5 Connecting the gas supply line

The appliance is shipped from the factory for use with natural gas. If you want to use propane gas it must be converted. A qualified technician or installer must do the conversion.

Note

Ensure the following requirements are met before you try to connect the appliance to the gas supply:

- Before connecting the appliance, check whether the local connection conditions such as gas type and gas pressure match the appliance settings.
- Make sure the gas supply is turned off at the manual shutoff valve before connecting the appliance.
- The gas connection must be in a location that permits access to the manual shut-off valve and which, if applicable, is visible after opening the door or drawers of the cabinet.
- The metal flex gas line must not come into contact with moving parts of the fitted unit (e.g. drawers) or be laid in areas where it could become trapped or damaged.
- The metal flex gas line must not come into contact with a cooktop, oven, dishwasher, refrigerator, washing machine, hot water pipe, radiator or any other appliance installed in the vicinity of the gas cooktop.

- The metal flex gas line must not be subject to rubbing, vibrations, kinking or any other kind of deformation. It should be checked along its entire length with the cooktop in the installation position.
- All pipe connections must be sealed in accordance with local codes.
- ▶ Connect the metal flex gas line or fixed metal pipe connection from the cooktop pressure regulator to the manual shut-off valve.

Checking the gas line for leaks

Check the gas supply line connections for leaks using a soap solution or non-corrosive leak detection fluid. Do not use a flame of any sort.

Note

Important notes for gas connection:

- The appliance and its individual shutoff valve must be disconnected from the gas supply piping system during any pressure testing at pressures in excess of ½ psi (3.5 kPa).
- The appliance must be isolated from the gas supply piping system by closing its individual manual shutoff valve during any pressure testing of the gas supply piping system at test pressures equal to or less than ½ psi (3.5 kPa).

1. Turn on gas.
2. Apply a soap solution or non-corrosive leak detection fluid to all joints and fittings in the gas connection between the shut-off valve and the cooktop. Also check gas fittings and joints in the cooktop if the connections may have been disturbed during installation.
- ✓ Bubbles appearing around fittings and connections indicate a leak.
3. If a leak appears, turn off the supply line gas shut-off valve and tighten the connections.
4. Retest for leaks by turning on the supply line gas shutoff valve.
- ✓ When the leak check is complete and no bubbles appear, the test is complete.
5. Wipe off all soap solution or detection fluid residue.

4.6 Connecting the electrical supply

⚠ CAUTION

Before you plug in the electrical cord, make sure that the gas shut-off valve and all burner controls are in the OFF position.

- ▶ Connect the plug of the electrical cord to a grounded power outlet. The outlet must be accessible after the installation of the appliance is complete.

4.7 Assembling the burner parts

The burner parts must be properly placed for the cooktop to function properly.

Note

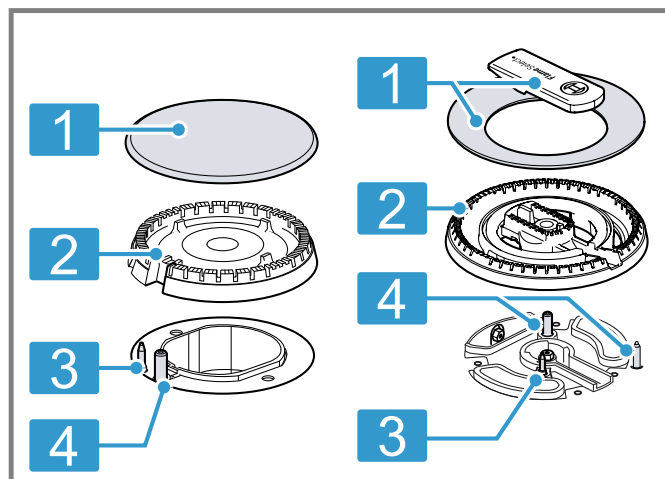
If the burner parts are not properly placed, one or more of the following problems may occur:

- The burner flames are too high.
- Flames shoot out of the burners.
- The burners do not ignite.
- The burner flames light unevenly.
- The burners emit gas odor.

⚠ WARNING

Remove all tape from the burner parts and the cooktop surface before using the appliance.

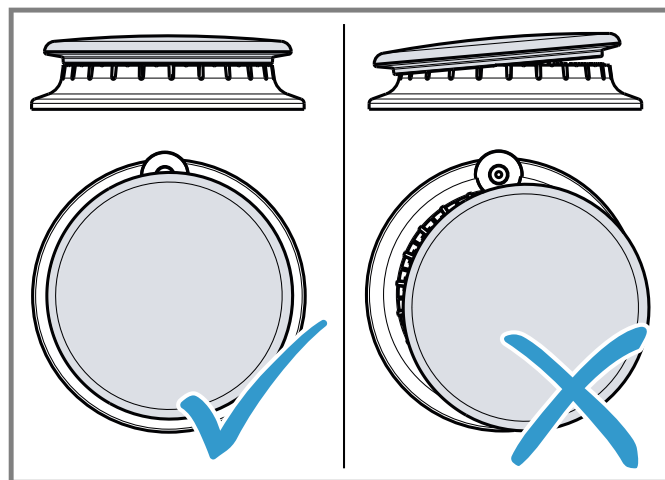
1. Assemble the burner parts according to the illustration.



1	Burner cap
2	Burner base
3	Thermocouple
4	Igniter

Make sure that the prongs of the burner cap fit snugly into the groove of the burner base.

2. Check to make sure that there is no gap between the burner parts. You may gently try to move the burner parts from side to side to check if they are properly seated.

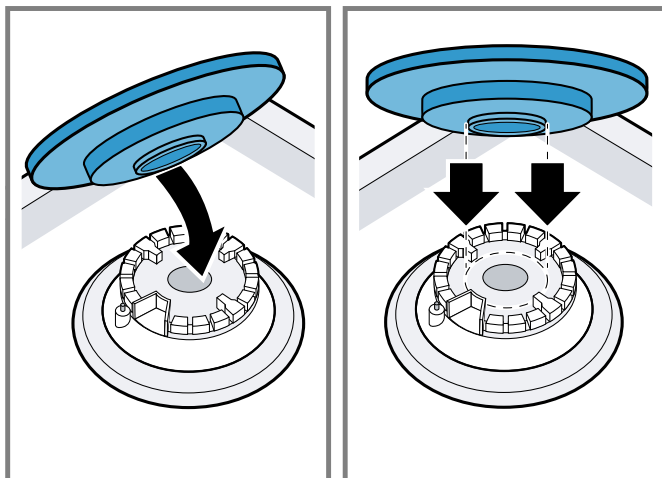


4.8 OptiSim® feature

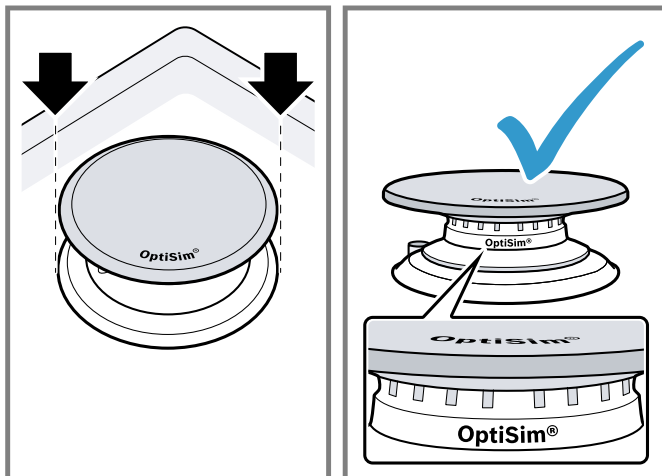
The OptiSim® burner cap has been designed to work with the small burner at the front left position of the cooktop. It is used to provide optimal simmering for delicate sauces while minimizing the risk of scorching.

Installing the OptiSim® burner cap

- ▶ Place the burner cap on the burner base, so that the lower protrusion locks in place in the center of the burner base.



- ✓ When properly installed the OptiSim® burner cap will extend beyond the burner base and raised surface.



4.9 Installing the burner grates

⚠ WARNING

Improperly positioned grates can cause flare-ups.

- ▶ Position all grates properly on the cooktop whenever the cooktop is in use to properly support pots and avoid spills.

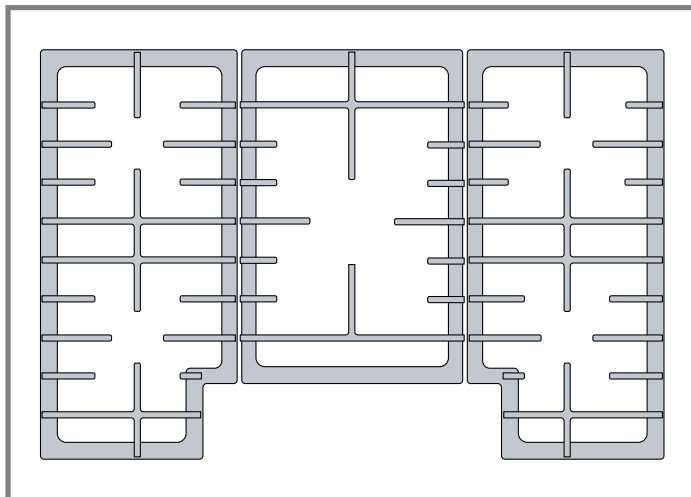
Flame characteristics

The color of the flame tells you if the gas supply is properly adjusted.

Note: Allow the appliance to operate for 4 to 5 minutes before evaluating the flame. Some yellow streaking is normal during the initial startup.

- ▶ Make sure each of the four feet of the grates is placed into the corresponding dimples on the cooktop surface.
- ▶ Do not use a grate if the rubber feet are missing or damaged.

Typical burner grate installation



4.10 Checking the installation

Check if your unit is working properly after you have completed the installation steps.

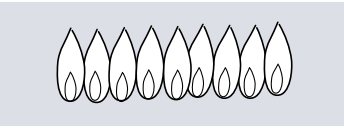
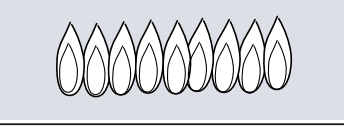
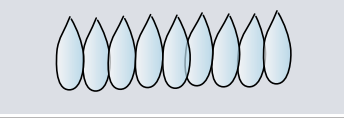
⚠ WARNING

Before you turn on power supply, make sure all controls are in the OFF position.

1. Ensure that the burner caps are properly positioned.
2. Turn each burner on in turn and verify that the electric igniters are working.
3. Turn the control knob between the highest and lowest setting. Make sure the flame does not go out and there are no flashbacks.
4. If you have carried out an LP gas conversion, check the lowest setting to confirm the flames are stable on the ports and the set screws do not need to be readjusted.
5. Check the flame characteristics.
The flame should be blue with a minimal yellow tip on the outer cone.
6. After completing all checks, complete the installation of the horizontal panel or oven. → Page 9

Note: The appliance is shipped from the factory for use with natural gas. If you want to use propane gas, it must be converted. A qualified technician or installer must do the conversion. Refer to Conversion to LP gas.

→ Page 14

Flame	Image	Measure
Completely or mostly yellow		Verify that the regulator is set for the correct fuel. Retest after adjustment.
Yellow tips on outer cone		Normal for LP gas
Soft blue		Normal for natural gas

5 Conversion to LP gas

Your appliance is equipped for use with natural gas on delivery. It can be converted to LP gas supply.

The components required for conversion to LP gas are contained in the LP conversion kit included with this appliance, or are available from Customer Service.

→ "Customer Service", Page 17

Only a qualified technician or installer is authorized to convert the appliance to another gas type.

Before carrying out the conversion, turn off the electricity and gas supply.

5.1 Converting the pressure regulator

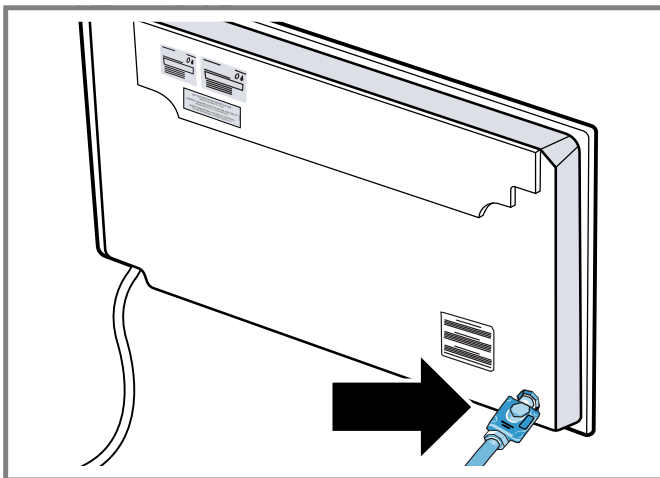
⚠ WARNING

Turn off the electricity and gas supply before carrying out the conversion.

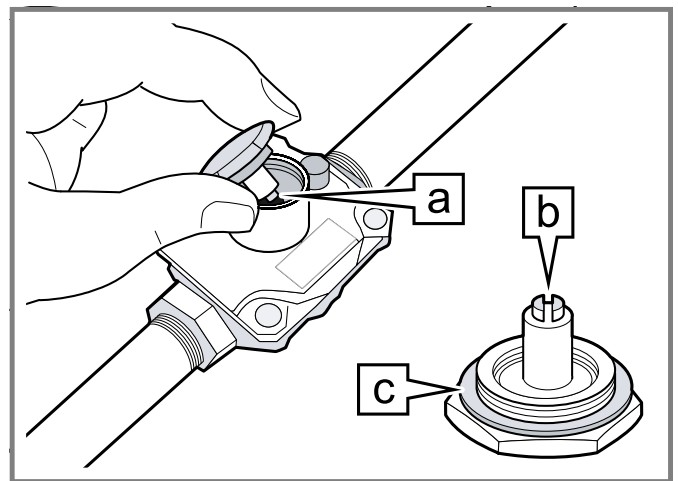
Requirement: Complete the installation instructions in this manual up to and including section

→ "Securing the cooktop to the countertop", Page 10 before starting the LP conversion.

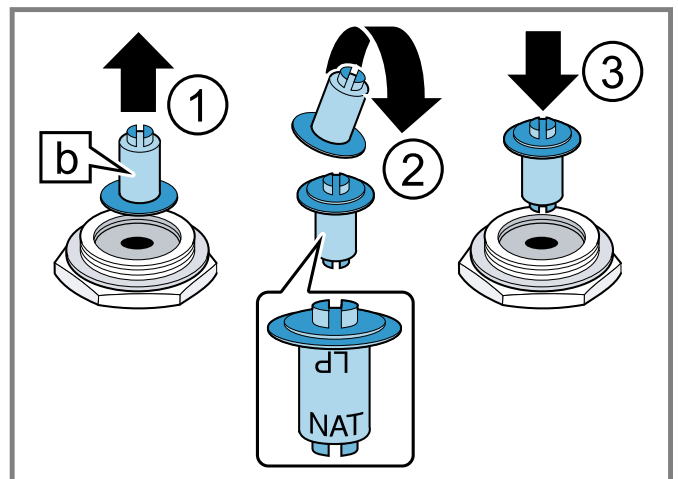
1. Locate the pressure regulator on the bottom right end of the appliance.



2. Remove the hexagon shaped conversion cap from the regulator. Make sure not to dislodge the gasket **c** on the cap or the spring **a** inside the regulator.

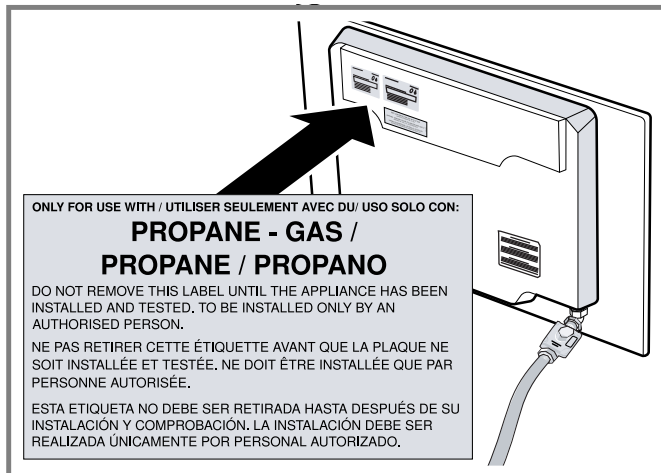


3. Grasp the plastic orifice stem **b** firmly and pull it forcefully from the conversion cap **1**. The stem snaps snugly into an indent in the cap and may require a strong pull to remove. It may be helpful to gently "rock" the plastic stem while pulling it from the metal cap.



4. Rotate the stem 180° **2**.
 - ✓ Confirm that the button end of the orifice stem is away from the conversion cap.
 - ✓ Confirm that the letters "LP" on the orifice stem are upside down when the conversion cap is set flat on its head.

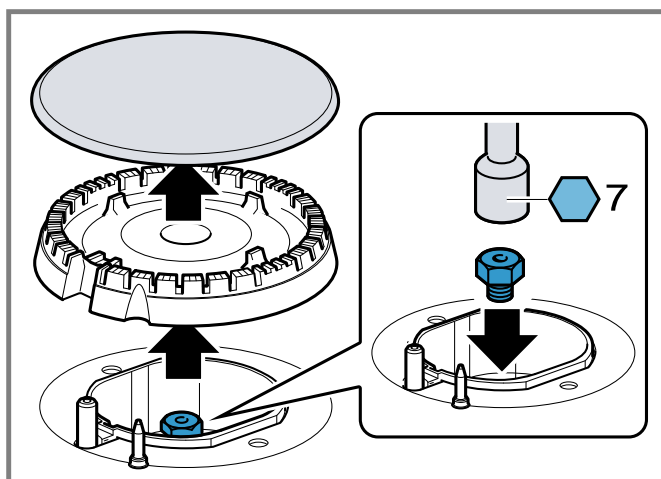
5. Snap the orifice stem back in place in this position inserting it into the indent in the conversion cap ③.
6. Insert the hexagon cap back into the regulator and tighten, do not over-tighten.
7. **IMPORTANT:** Attach the metallic sticker included with the LP conversion kit to the bottom of the appliance as shown. This sticker provides notice that the appliance has been converted for use with LP gas. It should be located near the appliance rating plate.
→ "Rating plate location", Page 17



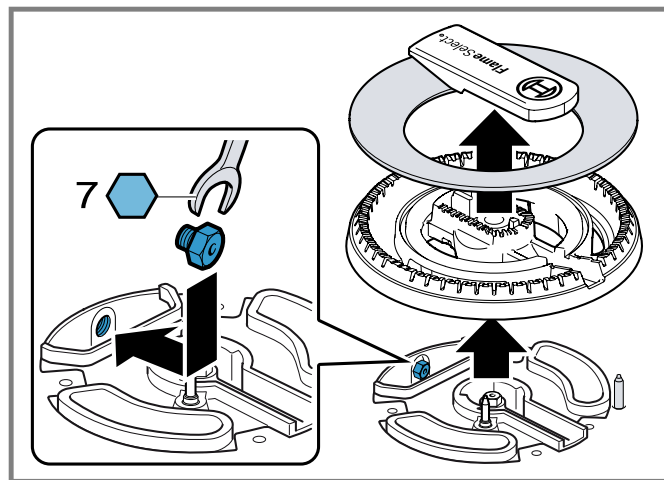
Note: If you change the type of gas back to natural gas at a later point, remove the sticker.

5.2 Replacing the orifices

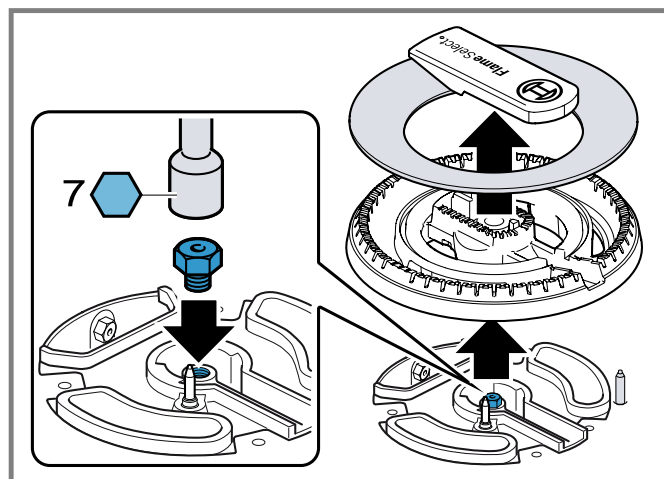
1. Remove all burner grates, burner caps and burner bases.
2. Remove the natural gas orifices and replace them with LP orifices using a 7 mm socket wrench. See burner chart → Page 16.
 - For ease of installation use a small piece of tape and insert it in the socket wrench to prevent the orifice from falling out.
 - It is important to make sure that the orifices do not become detached during removal or fastening. They must be properly tightened to ensure that there are no leaks.



Normal burner with one orifice



Dual-flame burner, first orifice

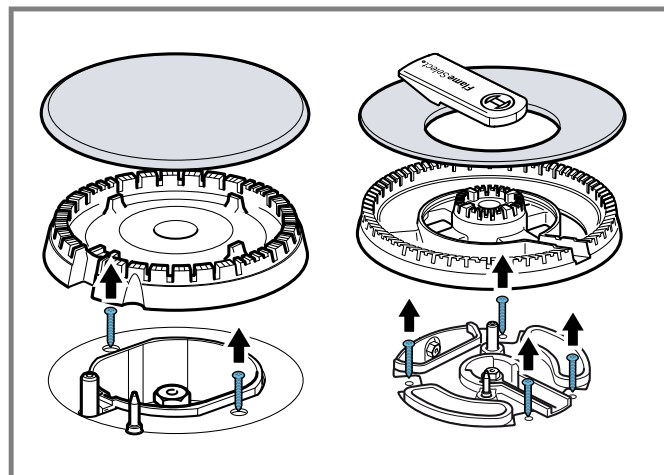


Dual-flame burner, second orifice

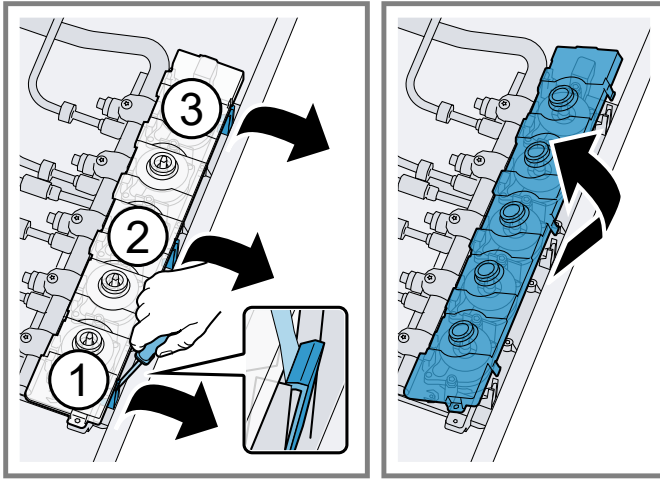
3. Fasten the orifices.
4. Save the orifices removed from the appliance for future use.

5.3 Adjusting the gas valves

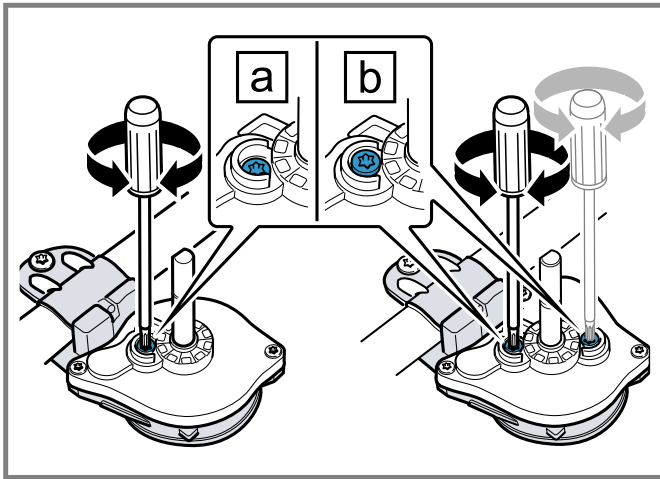
1. Turn the control knobs to position off.
2. Pull off the control knobs.
3. Remove the screws at each burner and lift off the main top from the cooktop.



4. Remove the electronics pack from the control panel:
 - With a flat head screwdriver carefully pry the black tabs at the front away from the panel one by one, while lifting up the transparent cover of the electronics pack to disengage the tabs.
 - When all tabs are unlocked you can lift off the electronics pack.



5. Remove the black disks from the valve stems. Make sure the springs underneath the black disks do not come off.
6. Adjust the black T10 star head setting screw with a T10 star head screwdriver. Refer to the burner chart for the correct setting of the setting screws (M).
 - Use setting **a** for LP Gas. The setting screws must be tightened properly.
 - Use setting **b** for natural gas. The setting screws must finish flush with the fitting.



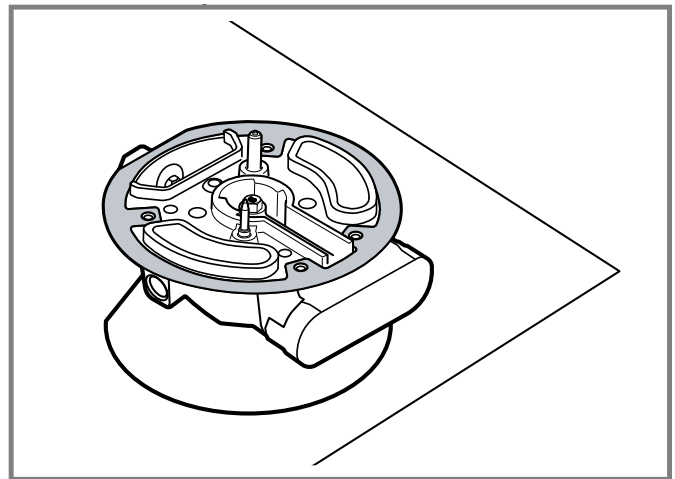
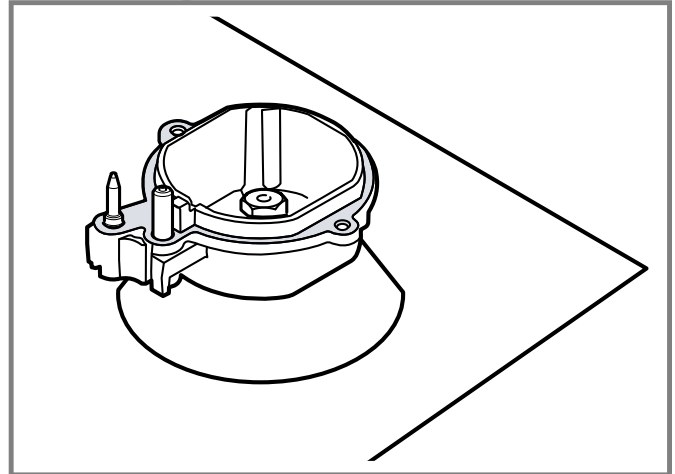
The dual-flame burner has 2 setting screws.

5.4 Burner chart

Refer to this overview for specifications of the individual burners.

Burner cap	Gas type	Pressure in inch wc	Orifice	BTU/h	kW	M (valve adjustment screw setting)
Small burner	Natural gas	6	77	3,400	1.00	b
	Propane gas	10	54	3,400	1.00	a

7. Replace the black disks.
8. Replace the electronics pack applying light pressure so the tabs engage. Make sure not pinch any connecting cables.
9. Ensure that the gaskets around the burner bases are in place.



10. Reinstall the main top and the control knobs.
11. Replace all burner bases, burner caps and burner grates.
12. Continue the installation procedure from → "Connection overview", Page 11
13. When the installation is complete, verify that the appliance works properly.
 - → "Checking the installation", Page 13.

Note: In the event of damage, the valve must be completely replaced.

Burner cap	Gas type	Pressure in inch wc	Orifice	BTU/h	kW	M (valve adjustment screw setting)
Large burner	Natural gas	6	133	10,300	3.00	b
	Propane gas	10	93	10,300	3.00	a
Medium burner	Natural gas	6	102	6,000	1.75	b
	Propane gas	10	71	6,000	1.75	a
Dual-flame burner	Natural gas	6	NG:	18,000	5.30	b
	Propane gas	10	<ul style="list-style-type: none"> ■ outer: 170 ■ inner: 55 PG: <ul style="list-style-type: none"> ■ outer: 95 ■ inner: 39 	11,100	3.30	a

6 Customer Service

If you have any questions on use, are unable to eliminate an issue in the appliance yourself, or the appliance needs to be repaired, please contact our Customer Service.

With any warranty repair, we will make sure your appliance is repaired by an authorized service provider using genuine replacement parts. We use only genuine replacement parts for all repairs.

Detailed information on the warranty period and terms of warranty can be found in the Statement of Limited Product Warranty, from your retailer, or on our website.

If you contact the Customer Service, you will need the model number (E-Nr.) and the production number (FD) of your appliance.

USA:

1-800-944-2904

www.bosch-home.com/us/owner-support/get-support

www.bosch-home.com/us/shop

CA:

1-800-944-2904

www.bosch-home.ca/en/service/get-support

www.bosch-home.ca/en/service/cleaners-and-accessories

6.1 Model number (E-Nr.) and production number (FD)

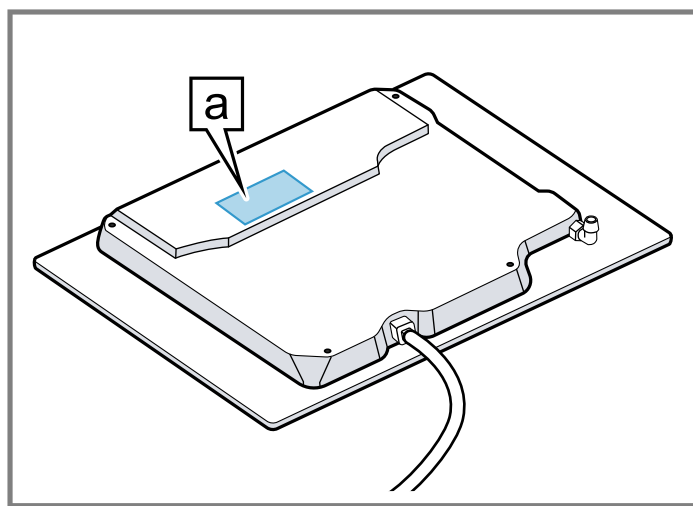
You can find the model number (E-Nr.) and the production number (FD) on the appliance's rating plate.

Making a note of your appliance's details and the Customer Service telephone number will enable you to find them again quickly.

6.2 Rating plate location

You can find the rating plate of your appliance:

- On the appliance certificate.
- On the underside of the appliance.



a Rating plate

Table des matières

1 IMPORTANTES CONSIGNES DE SÉCURITÉ	19
1.1 Définitions des termes de sécurité	20
1.2 Indications générales	20
1.3 Consignes générales de sécurité	20
1.4 Manipulation sécuritaire des appareils	21
1.5 Codes et normes de sécurité	21
1.6 Sécurité électrique	21
1.7 Sécurité des gaz	22
1.8 Installation au gaz propane	22
1.9 Recommandations de ventilation	22
1.10 Installation à haute altitude.....	22
1.11 Mises en garde conformément à la proposition 65 de l'État de Californie	23
2 Avant de commencer.....	24
2.1 Pièces incluses	24
2.2 Outils et pièces nécessaires.....	24
2.3 Conditions générales	24
2.4 Exigences concernant les armoires.....	24
2.5 Exigences du comptoir.....	25
2.6 Exigences en matière de gaz	25
2.7 Exigences électriques	25
3 Préparation préalable au montage	25
3.1 Dimensions de l'installation	25
4 Procédure d'installation	26
4.1 Préparation de la table de cuisson	26
4.2 Installation du régulateur de pression.....	27
4.3 Fixation de la table de cuisson au comptoir.....	27
4.4 Aperçu de la connexion.....	28
4.5 Raccordement de la conduite d'alimentation en gaz.....	28
4.6 Connexion de l'alimentation électrique	29
4.7 Assemblage des pièces du brûleur	29
4.8 OptiSim® fonctionnalité.....	30
4.9 Installation des grilles de brûleur	30
4.10 Inspecter l'installation.....	31
5 Conversion au gaz LP.....	31
5.1 Conversion du régulateur de pression.....	31
5.2 Remplacement des orifices	32
5.3 Ajustement des soupapes de gaz	33
5.4 Tableau des brûleurs	34
6 Service à la clientèle.....	35
6.1 Numéro de modèle (E-Nr.) et numéro de fabrication (FD)	35
6.2 Emplacement de la plaque signalétique	35



IMPORTANTES CONSIGNES DE SÉCURITÉ

LIRE ET CONSERVER CES INSTRUCTIONS

Lisez toutes les instructions attentivement avant l'utilisation. Ces précautions réduiront le risque d'électrocution, d'incendie et de blessure pour les personnes utilisant l'appareil. Lorsque vous utilisez des appareils électroménagers, il importe de suivre les précautions de sécurité de base, y compris celles indiquées dans les pages suivantes.

⚠ AVERTISSEMENT : Si les directives ne sont pas suivies à la lettre, il y a un risque d'incendie ou d'explosion pouvant entraîner des dommages matériels, des blessures ou un décès.

- Ne pas conserver ou utiliser de l'essence ou d'autres liquides ou vapeurs inflammables à proximité de cet appareil ou de tout autre appareil.
- **QUE FAIRE SI VOUS PERCEVEZ UNE ODEUR DE GAZ**
 - Ne pas essayer de mettre un appareil sous tension.
 - Ne pas toucher d'interrupteur de courant électrique.
 - Ne pas utiliser de téléphones dans l'édifice.
 - Communiquer immédiatement avec le fournisseur de gaz depuis l'appareil téléphonique d'un voisin. Respecter les directives du fournisseur de gaz.
 - S'il s'avère impossible de joindre le fournisseur de gaz, communiquer avec les pompiers.
- Utiliser les services d'un installateur ou d'une agence de services qualifiés ou le fournisseur de gaz pour procéder à l'installation et aux réparations.

⚠ AVERTISSEMENT :

Ne jamais faire fonctionner la surface de la table de cuisson de cet appareil sans surveillance.

- Le non-respect de cet avertissement pourrait entraîner un risque d'incendie, d'explosion ou de brûlure qui pourrait provoquer des dommages matériels, des blessures ou un décès.
- En cas d'incendie, se tenir à l'écart de l'appareil et appeler immédiatement les pompiers.

NE PAS ESSAYER D'ÉTEINDRE UN INCENDIE DE GRAISSE OU D'HUILE AVEC DE L'EAU.



IMPORTANTES CONSIGNES DE SÉCURITÉ

LIRE ET CONSERVER CES INSTRUCTIONS

1.1 Définitions des termes de sécurité

Vous trouverez ici des explications sur les mots de signalisation de sécurité utilisés dans ce manuel.

AVERTISSEMENT

Signale un risque de mort ou de blessure grave si l'avertissement n'est pas respecté.

MISE EN GARDE

Signale un risque de blessures mineures ou modérées si l'avertissement n'est pas respecté.

AVIS :

Ceci indique que la non-conformité à cet avis de sécurité peut entraîner des dégâts matériels ou endommager l'appareil.

Remarque : Ceci vous signale des informations et/ou indications importantes.

1.2 Indications générales

- Lisez attentivement cette notice.
- Veuillez conserver la notice et les renseignements sur le produit en vue d'une réutilisation ultérieure ou pour un futur nouveau propriétaire.
- Ne branchez pas l'appareil si ce dernier a été endommagé durant le transport.

1.3 Consignes générales de sécurité

IMPORTANT : L'APPAREIL DOIT ÊTRE INSTALLÉ PAR UN INSTALLATEUR QUALIFIÉ.

IMPORTANT : CONSERVEZ CES INSTRUCTIONS POUR L'UTILISATION DE L'INSPECTEUR ÉLECTRIQUE LOCAL.

PROPRIÉTAIRE : VEUILLEZ CONSERVER CES INSTRUCTIONS POUR RÉFÉRENCE FUTURE.

INSTALLATEUR : LAISSEZ CES INSTRUCTIONS AVEC L'APPAREIL UNE FOIS L'INSTALLATION COMPLÈTE.

Examinez l'appareil après l'avoir déballé. En cas de dommage en cours de transport, ne branchez pas l'appareil.

AVERTISSEMENT

Si les consignes du présent manuel ne sont pas suivies à la lettre, il y a un risque d'incendie ou d'électrocution pouvant entraîner des dommages matériels ou des blessures.

Ne pas réparer, remplacer ni retirer toute pièce de l'électroménager à moins que cela ne soit spécifiquement recommandé par les manuels. L'installation, les réparations ou l'entretien inadéquats pourraient causer des blessures ou des dégâts matériels.

- ▶ Consulter ce manuel pour les directives d'utilisation.
- ▶ Toutes les autres réparations doivent être effectuées par un prestataire de services agréé.

Couper l'alimentation électrique et de gaz avant toute réparation.

Lorsque vous installez une table de cuisson sur un seul four, veillez à suivre les instructions des manuels d'installation du four et de la table de cuisson.

- ▶ Vous pouvez trouver une liste des combinaisons approuvées de table de cuisson et de four dans la matrice de combinaisons approuvées de votre table de cuisson, ou vous pouvez contacter le service clientèle pour obtenir la dernière liste des combinaisons approuvées. Ne pas essayer d'installer la table de cuisson au-dessus de n'importe quel four non énuméré dans cette liste.

Ne jamais modifier ni altérer la structure de l'appareil électroménager.

Utilisez uniquement l'appareil électroménager s'il a été installé par un technicien qualifié conformément aux présentes instructions d'installation. Le fabricant ne peut pas être tenu responsable de tous dommages causés par une installation inadéquate.

Pour éliminer le risque de brûlure ou d'incendie lorsque vous vous étirez au-dessus des surfaces chauffantes de l'électroménager, il faut éviter d'installer des armoires de rangement au-dessus de la surface de l'électroménager.

- ▶ Si une armoire de rangement est installée, il est possible de réduire le risque en installant une hotte qui dépasse (horizontalement) d'au moins 5 po (127 mm) le bord du fond de l'armoire.
- ▶ Vérifier que la profondeur des armoires au-dessus de la table de cuisson est au maximum de 13 po (330 mm).

AVERTISSEMENT

Le dessous de la table de cuisson peut devenir chaud.

- ▶ Si la table de cuisson n'est pas installée en combinaison avec un four, installez un panneau horizontal sous la table de cuisson pour éviter tout contact accidentel. Reportez-vous à la section sur l'installation d'un panneau horizontal. → Page 26



IMPORTANTES CONSIGNES DE SÉCURITÉ

LIRE ET CONSERVER CES INSTRUCTIONS

AVERTISSEMENT

Retirer tout le ruban adhésif et l'emballage avant d'utiliser l'électroménager.

- ▶ Jetez l'emballage après avoir déballé l'électroménager.
- ▶ Éliminez l'emballage d'une manière respectueuse de l'environnement.
- ▶ Ne laissez jamais les enfants jouer avec le matériel d'emballage.
- ▶ Conservez les pièces de petite taille dans un endroit sûr, car elles peuvent être avalées facilement.

1.4 Manipulation sécuritaire des appareils

AVERTISSEMENT



Certaines surfaces cachées peuvent avoir des rebords tranchants.

- ▶ Redoubler de vigilance quand vous passez la main derrière ou sous l'appareil électroménager.

1.5 Codes et normes de sécurité

Cet appareil est conforme aux plus récentes versions de l'une ou plus des normes suivantes :

- ANSI Z21.1/CSA 1.1, Appareils électroménagers pour la cuisson à gaz
- L'installation doit être conforme aux codes locaux ou, en l'absence de tels codes, au National Fuel Gas Code ANSI Z223.1/NFPA 54 ou, au Canada, au code national CSA B149.1 d'installation du gaz naturel et du propane.

Il est de la responsabilité du propriétaire et de l'installateur de déterminer si des exigences et/ou des normes supplémentaires s'appliquent à des installations spécifiques.

1.6 Sécurité électrique

- **Installateur** - indiquez au propriétaire l'emplacement du disjoncteur ou du fusible. Identifiez sa position pour pouvoir le retrouver facilement.
- S'il y a lieu, conformément au Code national de l'électricité (ou au Code canadien de l'électricité), cet appareil doit être installé sur un circuit de dérivation séparé.

- Les codes locaux peuvent varier. L'installateur est responsable de s'assurer que l'installation, les connexions et la mise à la terre sont conformes à tous les codes applicables. Le fabricant n'est pas responsable des problèmes associés à une mauvaise installation de ce produit.
- L'appareil doit être mis à la terre en conformité aux codes locaux, ou en l'absence de tels codes, à la dernière version du National Electric Code NFPA 70 ou, au Canada, au code canadien de l'électricité CSA C22.1-02.
- Assurez-vous que l'appareil est correctement installé et mis à la terre par un technicien qualifié. L'installation, les raccordements électriques et la mise à la terre doivent être conformes avec tous les codes en vigueur.
- N'utilisez pas de rallonge.
- N'utilisez pas un adaptateur.
- Voir la fiche signalétique pour plus d'information.
→ "*Emplacement de la plaque signalétique*", Page 35

AVERTISSEMENT

Avant l'installation, couper l'alimentation au panneau de service.

- ▶ Verrouiller le panneau de service pour empêcher que l'alimentation ne soit rétablie par accident.
- Pour les électroménagers dotés d'un cordon d'alimentation avec fiche, ne pas couper ni enlever la broche de mise à la terre.
- ▶ Pour éviter toute électrocution, brancher le cordon dans une prise de courant correspondante avec mise à la terre.
 - ▶ En cas de doute concernant la mise à la terre appropriée de la prise murale, le client doit faire vérifier celle-ci par un électricien qualifié.

INSTRUCTIONS DE MISE À LA TERRE

- ▶ Cet appareil doit être mis à la terre.
- ▶ La mise à la terre réduit le risque de choc électrique en fournissant une voie sûre pour le courant électrique en cas de court-circuit.
- ▶ Assurez-vous que l'appareil est correctement installé et mis à la terre par un technicien qualifié.
- ▶ L'installation, les raccordements électriques et la mise à la terre doivent être conformes avec tous les codes en vigueur.

N'utilisez pas de rallonge. Si le cordon d'alimentation est trop court, demandez à un électricien ou un technicien qualifié d'installer une prise à proximité de l'appareil.



IMPORTANTES CONSIGNES DE SÉCURITÉ

LIRE ET CONSERVER CES INSTRUCTIONS

Avant de brancher le cordon électrique, vérifiez que toutes les commandes sont à la position OFF (Arrêt).

Avant de mettre sous tension la source d'alimentation, vérifiez que toutes les commandes sont à la position OFF (Arrêt).

1.7 Sécurité des gaz

Exigences pour l'alimentation en gaz :

- Installer un robinet d'arrêt près de l'électroménager. Il doit être facilement accessible en cas d'urgence.
- L'installateur doit procéder au test de fuites selon les consignes fournies dans le présent manuel.
- L'appareil et son propre robinet d'arrêt doivent être déconnectés de la canalisation du système d'alimentation en gaz au cours de test aux pressions qui dépassent ½ PSI (3,5 kPa).
- L'électroménager doit être isolé de la canalisation du système d'alimentation en gaz en fermant son propre robinet d'arrêt manuel pour tout test de pression à des pressions égales ou inférieures à ½ PSI (3,5 kPa).
- La pression d'alimentation minimale doit être de 1 po de colonne d'eau au-dessus de la pression d'admission imprimée sur l'étiquette signalétique. La pression d'admission maximum ne doit pas excéder 14 po de colonne d'eau (34,5 millibars).
- Une ligne de production métallique souple ou un tuyau métallique fixe doit être utilisé pour raccorder le gaz à l'appareil. Si une conduite de gaz en métal ne peut pas être utilisée, veuillez vous adresser à un électricien agréé local ou aux codes électriques locaux pour obtenir une mise à la terre appropriée.

AVIS DE SÉCURITÉ IMPORTANT : La combustion du combustible de cuisson au gaz génère certains sous-produits qui figurent sur la liste des substances reconnues par l'État de Californie comme cancérigènes ou pour la reproduction. Pour minimiser l'exposition à ces substances, faites toujours fonctionner cet appareil conformément aux instructions contenues dans ce livret et assurez une bonne ventilation.

1.8 Installation au gaz propane

- Le réservoir de gaz propane doit être doté de son propre régulateur de pression élevée. De plus, le régulateur de pression livré avec cet appareil doit aussi être utilisé.

- L'électroménager est livré de l'usine prêt à utiliser avec du gaz naturel. Il doit être converti pour usage avec gaz propane. Un technicien qualifié ou un installateur certifié doit procéder à la conversion.
- Pour une utilisation avec du propane, l'appareil doit être converti selon les instructions de conversion LP.
→ "Conversion au gaz LP", Page 31

Pour les installations au Massachusetts

- L'installation doit être exécutée par un entrepreneur, un plombier ou un ajusteur d'appareils à gaz qualifié ou autorisé par l'État, la province ou la région d'installation de cet électroménager.
- Le robinet d'arrêt doit être robinet à gaz avec poignées en T.
- Le connecteur à gaz souple ne doit pas dépasser 36 pouces.

Installateur : prière d'indiquer au propriétaire, l'emplacement du robinet d'arrêt.

1.9 Recommandations de ventilation

Nous recommandons fortement l'installation d'une hotte de ventilation au-dessus de cet appareil. La hotte doit être installée conformément aux instructions fournies avec la hotte.

AVERTISSEMENT

L'électroménager ne doit pas être installé avec un système de ventilation qui souffle l'air vers le bas en direction des brûleurs. Ce type de système de ventilation peut entraîner des problèmes d'allumage et de combustion avec l'appareil de cuisson au gaz pouvant causer des blessures corporelles ou un fonctionnement indésirable.

1.10 Installation à haute altitude

Cet appareil a été testé pour fonctionner à une altitude allant jusqu'à 10 100 pi (3 078 m) au-dessus du niveau de la mer.

Pour des altitudes supérieures à 2 000 pi (610 m) au-dessus du niveau de la mer, des ajustements de flamme du brûleur peuvent être nécessaires.

Veuillez vérifier les brûleurs au réglage le plus bas. Si la flamme est instable, haussez la flamme de mijotage jusqu'à ce qu'elle soit stable. Vous pouvez le faire en réglant la vis de dérivation de la soupape. Si la flamme réagit de manière satisfaisante, aucun ajustement n'est



IMPORTANTES CONSIGNES DE SÉCURITÉ

LIRE ET CONSERVER CES INSTRUCTIONS

requis. Lors de l'installation, il est obligatoire de faire appel à un professionnel certifié pour procéder aux réglages d'utilisation à altitude élevée.

1.11 Mises en garde conformément à la proposition 65 de l'État de Californie

Ce produit pourrait contenir un produit chimique reconnu par l'État de la Californie comme cancérigène ou ayant des effets nocifs sur la reproduction. Par conséquent, vous pourriez devoir apposer l'étiquette suivante sur l'emballage du produit comme requis par la Californie :

AVERTISSEMENT ISSUE DE LA PROPOSITION 65 DE L'ÉTAT DE LA CALIFORNIE :



AVERTISSEMENT

Cancer et dommages à la reproduction -
www.P65Warnings.ca.gov

2 Avant de commencer

Lisez ces instructions avant de commencer l'installation de votre appareil.

2.1 Pièces incluses

Après avoir déballé le produit, inspectez toutes les pièces pour détecter d'éventuels dégâts dus au transport et pour vous assurer de l'intégralité de la livraison.

- Table de cuisson
- Ruban de mousse
- Supports de fixation (4)
- Vis, no 10-32 x 2 1/2 po (63,8 mm), (4)
- Vis à tôle, no 8 x 3/8 po (9,5 mm), (4)
- Rondelles (4)
- Grilles de brûleur (3)
- Brûleurs (5)
- Chapeaux de brûleur (6)
- Régulateur de pression
- Trousse de conversion au gaz de PL

2.2 Outils et pièces nécessaires

Préparez ces outils et accessoires avant de commencer à installer votre électroménager.

- Crayon
- Ruban à mesurer
- Tournevis cruciforme
- Perceuse avec mèche de 1/4 po (6 mm)
- Scie sauteuse
- Clé réglable
- Ruban Teflon® - évalué pour le gaz
- Tournevis à tête plate, 1/8 po

Outils supplémentaires nécessaires pour la conversion au GPL

- Clé à douille de 7 mm
- Clé à fourche de 7 mm
- Tournevis à embout étoile T10
- Tournevis à embout étoile T20
- Petit morceau de ruban adhésif

Remarques

- Pour une installation autonome, un panneau horizontal sous la table de cuisson peut être nécessaire.
→ "Installation avec panneau horizontal", Page 26
- Des matériaux supplémentaires peuvent être nécessaires pour l'installation de comptoirs à surface solide. Contactez le fabricant du comptoir.

2.3 Conditions générales

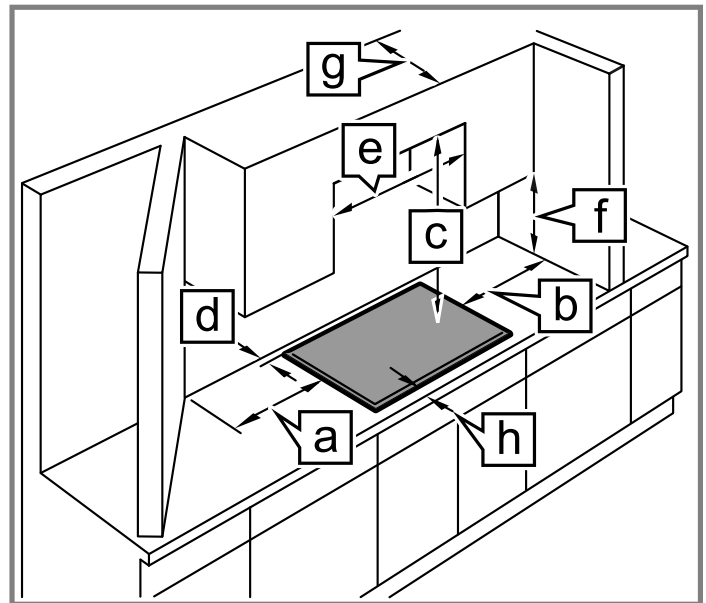
Assurez-vous que les conditions suivantes sont remplies lors de la planification de l'installation de votre appareil.

- Planifier l'installation de l'appareil de sorte que le cordon d'alimentation, le robinet d'arrêt et le régulateur de pression du gaz sont accessibles de l'avant de l'armoire.
- Assurez-vous que la conduite d'alimentation en gaz n'interfère pas avec l'arrière de l'appareil.
- Les armoires qui recevront la table de cuisson doivent être solides, de niveau et stables.

- Tous les revêtements stratifiés et la colle sur les armoires à côté de la table de cuisson doivent être faits de matériaux ininflammables et résistants à la chaleur. Reportez-vous aux codes du bâtiment locaux pour les matériaux acceptables.
- Cet appareil électroménager ne peut pas être installé au-dessus d'un réfrigérateur, d'une laveuse, d'un lave-vaisselle ou d'appareils semblables.
- Si la table de cuisson doit être installée en combinaison avec un four, reportez-vous à la matrice de combinaisons approuvées incluse avec le produit pour les dimensions de découpe et de dégagement.

2.4 Exigences concernant les armoires

Assurez-vous que les armoires du site d'installation répondent aux exigences d'une installation sécuritaire.



Les espaces minimaux qui doivent être maintenus lors de l'installation de la table de cuisson à gaz doivent être les suivants :

a	min. 13 po (330 mm) pour l'installation à côté du four min. 13 po (330 mm)
b	min. 13 po (330 mm) pour l'installation à côté du four min. 13 po (330 mm)
c	dégagement 30 po (762 mm) min. entre le haut de la surface de cuisson et le bas des constructions combustibles
d	min. 3 po (76 mm); pour installation dans un îlot de cuisine, min. 4 po (100 mm)
e	Pour les tables de cuisson de 30 po : min. 30 po (760 mm) centrée au-dessus de la table de cuisson
e	Pour les tables de cuisson de 36 po : min. 36 po (914 mm) centrée au-dessus de la table de cuisson
f	min. 18 po (458 mm)
g	max. 13 po (330 mm)

h min. 1 $\frac{3}{4}$ po (48 mm);
pour installation dans un îlot de cuisine, min. 4 po
(100 mm)

2.5 Exigences du comptoir

Assurez-vous que le comptoir dans lequel la table de cuisson doit être installée répond à ces exigences pour une installation sécuritaire.

⚠ AVERTISSEMENT

Pour réduire le risque d'allumage dans un environnement combustible, installer à au moins 13 po (330 mm) des parois et à au moins 3 po (76 mm) du mur arrière.

- Le comptoir doit être de niveau.
- La stabilité du comptoir doit être maintenue une fois la découpe effectuée.
- Les comptoirs en surface solide ou en stratifié nécessitent souvent des installations spéciales. Par exemple, il peut être nécessaire d'appliquer du ruban réflecteur de chaleur et de découper des coins ronds. Communiquez avec le fabricant du plan de travail pour connaître les directives spécifiques à ce dernier.

2.6 Exigences en matière de gaz

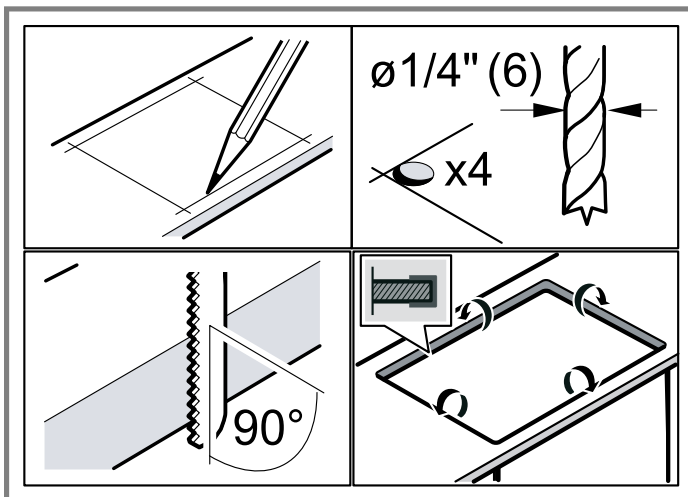
Assurez-vous que les exigences relatives à l'alimentation en gaz sont respectées.

La table de cuisson est livrée de l'usine prête à fonctionner au gaz naturel. Pour une conversion au gaz de PL, un technicien ou un installateur qualifié doit y procéder.

Pression d'admission :

- Gaz naturel : 7 po de colonne d'eau (17,4 millibars)
- Gaz propane : 11 po de colonne d'eau (27,4 millibars)
- Le réservoir de gaz propane doit être doté de son propre régulateur de pression élevée en plus du régulateur de pression fourni avec cet appareil.

3.1 Dimensions de l'installation



2.7 Exigences électriques

Assurez-vous que les exigences électriques suivantes sont respectées.

⚠ MISE EN GARDE

N'utilisez pas de rallonge avec cet appareil.

- Cet appareil nécessite une connexion de 60 Hz, 15 A, 120 V/AC.
- Votre appareil est équipé d'un cordon d'alimentation 40 po (1000 mm).
- La connexion électrique doit rester accessible depuis l'avant de l'armoire une fois l'installation terminée.

3 Préparation préalable au montage

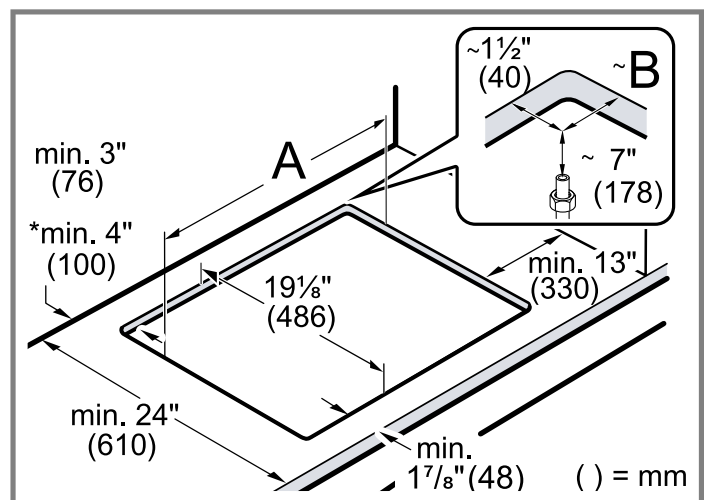
Créez la découpe dans le comptoir selon les instructions. Exigences générales du comptoir :

- Maintenez un angle de coupe de 90 degrés par rapport au plan de travail.
- Avec les comptoirs multi-couches, fixez les bandes latéralement dans la découpe si nécessaire.
- Après avoir créé la découpe, retirez tous les débris.
- Suivez les recommandations du fabricant du plan de travail pour protéger les bords coupés, par ex. appliquer du ruban adhésif résistant à la chaleur.
- Si la table de cuisson doit être installée en combinaison avec un four, reportez-vous à la matrice de combinaisons approuvées incluse avec le produit pour les dimensions de découpe et de dégagement.

⚠ AVERTISSEMENT

Le dessous de la table de cuisson peut devenir chaud.

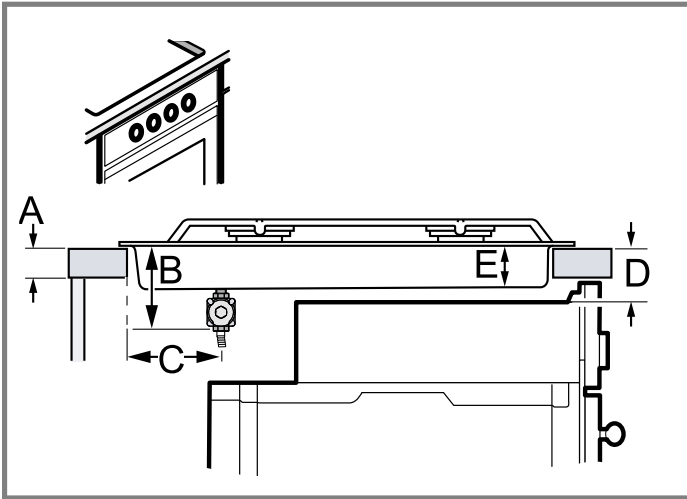
- Si la table de cuisson n'est pas installée en combinaison avec un four, installez un panneau horizontal sous la table de cuisson pour éviter tout contact accidentel. Reportez-vous à la section sur l'installation d'un panneau horizontal. → Page 26



* Pour installation dans un îlot de cuisine.

	NGMP058UC	NGMP658UC
A	28 $\frac{15}{16}$ po (735 mm)	34 $\frac{15}{16}$ po (887 mm)
B	7 $\frac{1}{4}$ po (184 mm)	10 $\frac{1}{4}$ po (260 mm)

Installation au-dessus du four

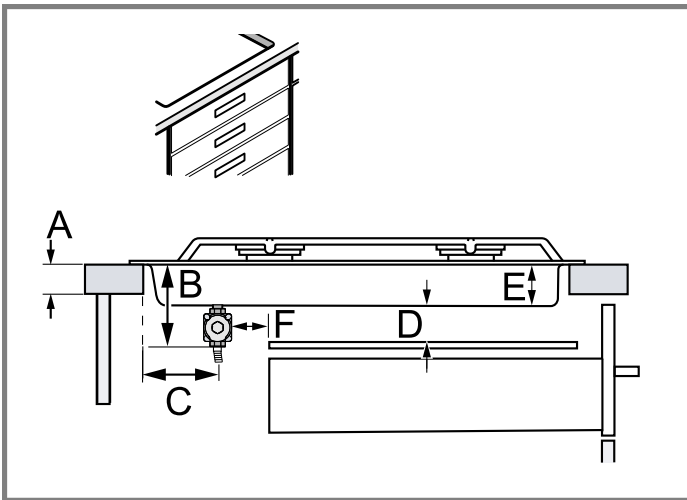


A	min. $\frac{3}{4}$ po (19 mm) max. 2 po (50 mm)
B	5 $\frac{7}{8}$ (150 mm)
C	2 $\frac{3}{4}$ po (70 mm)
D	Reportez-vous à la matrice de combinaison approuvée
E	2 $\frac{3}{8}$ po (60)

Installation avec panneau horizontal

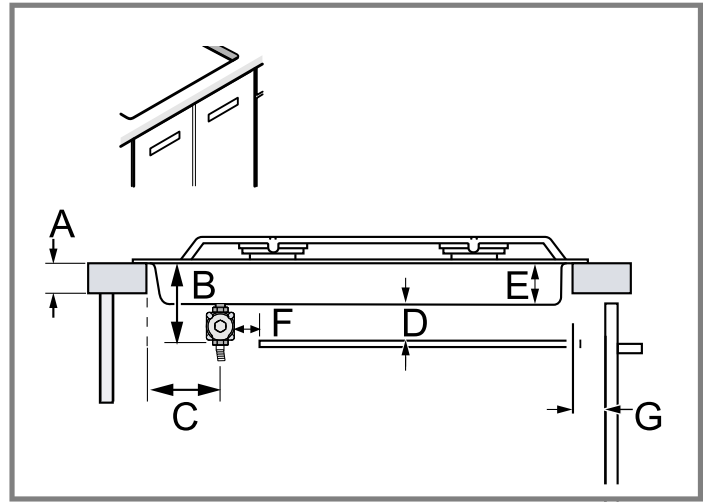
S'il n'y a pas de four sous la table de cuisson, installez un panneau horizontal. Pour permettre l'accès à la connexion d'alimentation et au régulateur, maintenez un dégagement minimum de $\frac{3}{8}$ po (10 mm) des bords du panneau (F).
IMPORTANT : Terminez l'installation de la table de cuisson avant d'installer le panneau horizontal.

Installation au-dessus d'un tiroir



A	min. $\frac{3}{4}$ po (19 mm) max. 2 po (50 mm)
B	5 $\frac{7}{8}$ po (150 mm)
C	2 $\frac{3}{4}$ po (70 mm)
D	min. 0 po (0 mm)
E	2 $\frac{3}{8}$ " (60)
F	min. $\frac{3}{8}$ po (10 mm)

Installation au-dessus d'une porte d'armoire



A	min. $\frac{3}{4}$ po (19 mm) max. 2 po (50 mm)
B	5 $\frac{7}{8}$ po (150 mm)
C	2 $\frac{3}{4}$ po (70 mm)
D	min. 0 po (0 mm)
E	2 $\frac{3}{8}$ " (60)
F	min. $\frac{3}{8}$ po (10 mm)
G	min. 1 po (25)

4 Procédure d'installation

Suivez ces instructions pour installer la table de cuisson dans le comptoir.

⚠ MISE EN GARDE

Bords tranchants.

- Utilisez des gants de protection lors de l'installation de l'appareil.

⚠ MISE EN GARDE

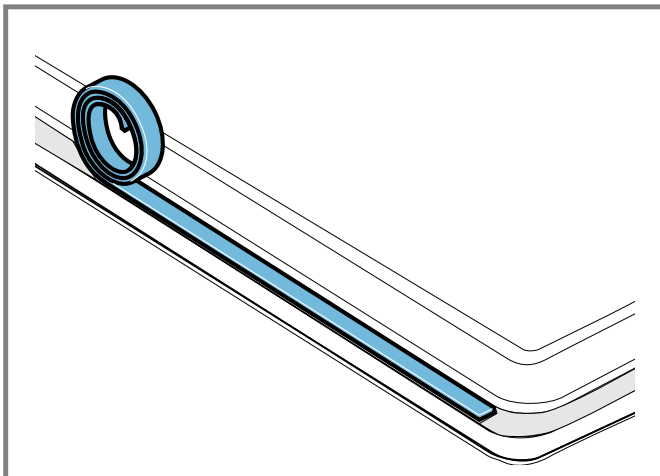
Cet appareil est lourd.

- Il est recommandé que deux personnes installent cet appareil.

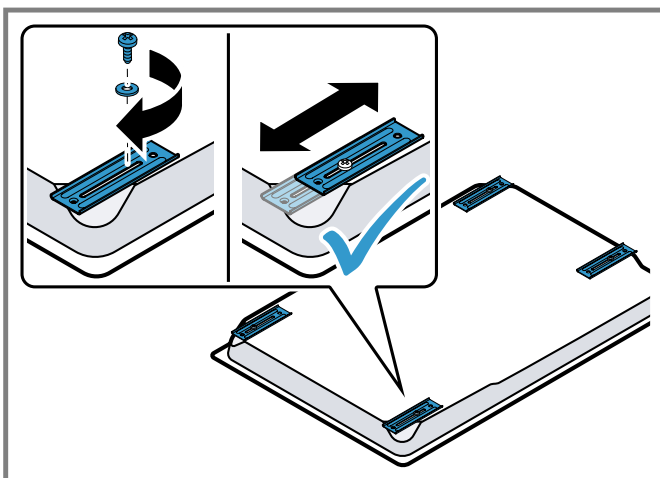
4.1 Préparation de la table de cuisson

1. Placez la table de cuisson face vers le bas sur une surface douce et stable. Utilisez la feuille de mousse de l'emballage pour protéger les surfaces contre les rayures.

2. Appliquez le ruban d'étanchéité en mousse inclus autour des bords du dessous de l'appareil le long de la bride brute de la boîte.



3. Fixez les supports de fixation au dessous de la table de cuisson à l'aide des vis courtes et des rondelles fournies. Serrez légèrement les vis afin que les pinces ne bougent pas librement. Faites pivoter les supports de fixation pour que l'appareil puisse être placé dans la découpe.



Remarque : La plaque signalétique ne sera pas accessible après l'installation. Notez les détails de votre appareil ou reportez-vous au certificat d'appareil ci-joint.
→ "Emplacement de la plaque signalétique", Page 35

4.2 Installation du régulateur de pression

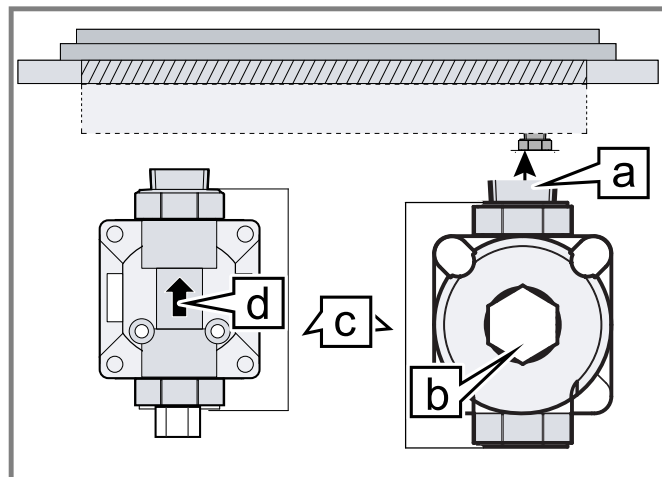
⚠ AVERTISSEMENT

N'essayez pas de régler le régulateur de pression, sauf lors de la conversion au propane. Les réglages peuvent entraîner des fuites ou une mauvaise pression en direction de l'appareil électroménager.

Assurez-vous que la conduite de raccordement de gaz usagée n'est pas connectée à l'alimentation en gaz avant d'effectuer les étapes suivantes.

Remarque : Tous les raccords de tuyauterie doivent être scellés conformément aux codes locaux.

1. Identifiez les pièces du régulateur de pression.



a	Raccord du tuyau collecteur de l'appareil
b	Couvercle de conversion
c	Régulateur de pression
d	La flèche sur le régulateur de pression indique la direction du débit de gaz

2. Appliquez du ruban Teflon® sur les filets du tuyau du collecteur. Installez le régulateur de pression (fourni avec la table de cuisson) sur l'entrée de gaz avec la flèche de débit de gaz face à l'entrée du collecteur.
3. Serrez fermement le régulateur à la main, puis serrez davantage d'un quart de tour jusqu'à un maximum d'un tour complet. Alignez le régulateur de manière à ce que le capuchon de conversion soit facilement accessible.

4. ⚠ **AVERTISSEMENT** Ne jamais réutiliser un connecteur de gaz. Des flexions ou des vibrations extrêmes répétées provoquent une fatigue du métal et doivent être évitées.

Appliquez du ruban Teflon® sur les filetages mâles, puis connectez une nouvelle conduite flexible métallique de 1/2 po ou un raccord de tuyau métallique fixe au régulateur de pression.

Remarque : Pour les installations avec peu d'espace, utilisez un coude de rue à 90 degré (non fourni) pour orienter le régulateur horizontalement.

4.3 Fixation de la table de cuisson au comptoir

La table de cuisson doit être fixée par le bas à l'aide des supports de fixation fournis.

⚠ AVERTISSEMENT

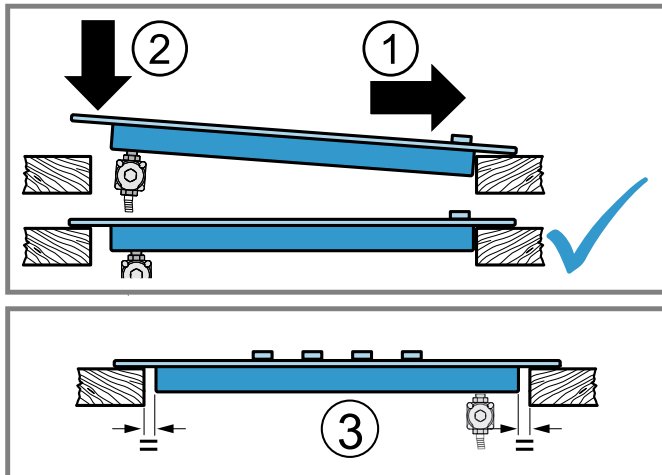
Avant l'installation, couper l'alimentation au panneau de service.

- ▶ Verrouiller le panneau de service pour empêcher que l'alimentation ne soit rétablie par accident.

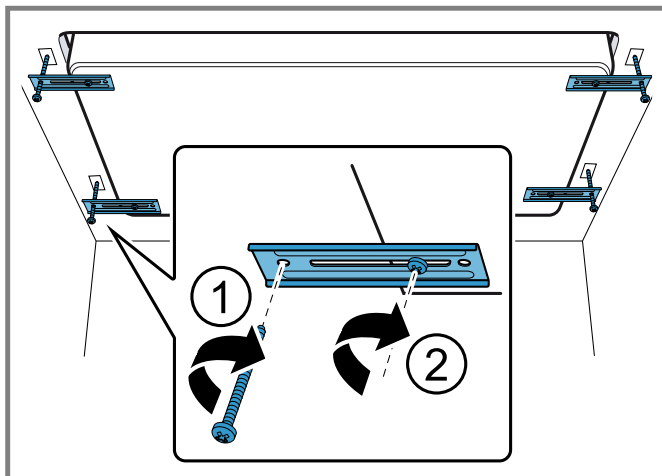
1. **⚠ MISE EN GARDE** Ne laissez pas la table de cuisson tomber en place.
- ▶ Assurez-vous que la table de cuisson est soutenue le long des bords lorsque vous la placez soigneusement dans la découpe.

Retournez la table de cuisson avec précaution en vous assurant de ne pas endommager le régulateur de pression et la conduite de gaz.

- Placez délicatement la table de cuisson dans la découpe du plan de travail, en la tirant vers l'avant de la découpe ①.
- Abaissez l'arrière de la table de cuisson pour qu'elle repose à plat sur le comptoir ②.
- Centrez la table de cuisson à gauche et à droite dans la découpe ③.



2. Insérez les vis de serrage de 2 ½ po dans les trous filetés des supports de maintien, faites glisser ou faites pivoter les supports de sorte que les vis de serrage entrent en contact avec le dessous du comptoir.
- Protégez les comptoirs délicats en plaçant un disque en bois en dessous.
 - Serrez à la main la première vis et vérifiez la position de la table de cuisson, puis fixez la table de cuisson en serrant toutes les vis de serrage ①.
 - Serrez les vis à la table de cuisson ②.

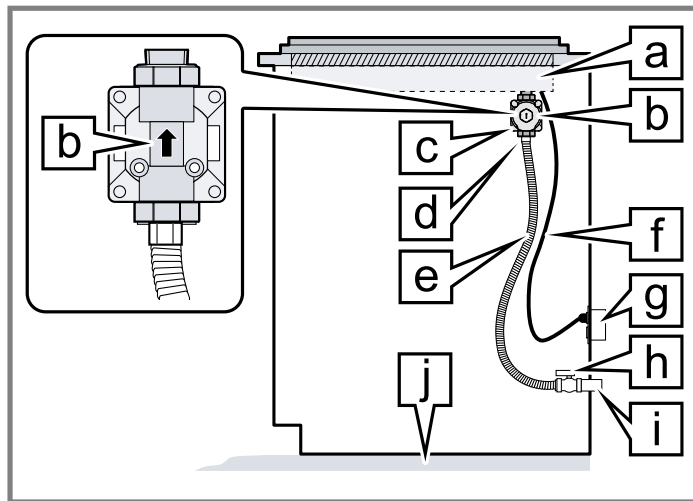


Remarque : Ne pas utiliser de silicone pour coller la table de cuisson à la surface du plan de travail.

4.4 Aperçu de la connexion

Reportez-vous à cette illustration pour l'emplacement du raccordement au gaz et électrique de l'appareil.

Remarque : Votre appareil est équipé pour une utilisation avec du gaz naturel à la livraison. Si vous souhaitez utiliser votre appareil avec du GPL, reportez-vous à la section sur la conversion au GPL avant de poursuivre l'installation. → Page 31



- a Boîtier de la robinetterie brute de la table de cuisson
- b La flèche sur le régulateur de pression indique la direction du débit de gaz
- c Régulateur de pression
- d Tuyau de ½ po à filets femelles
- e Conduite de gaz flexible en métal
- f Cordon d'alimentation (40 po/1 m)
- g Réceptacle de 120 V
- h Robinet d'arrêt du gaz
- i Raccord de raccordement de la conduite d'alimentation en gaz
- j Plancher

4.5 Raccordement de la conduite d'alimentation en gaz

L'électroménager est livré de l'usine prêt à utiliser avec du gaz naturel. Si vous souhaitez utiliser du gaz propane, il doit être converti. Un technicien ou un installateur qualifié doit procéder à la conversion.

Remarque

Assurez-vous que les conditions suivantes sont remplies avant d'essayer de connecter l'appareil à l'alimentation en gaz :

- Avant de connecter l'appareil, vérifiez si les conditions de connexion locales telles que le type de gaz et la pression de gaz correspondent aux réglages de l'appareil.
- S'assurer que le robinet d'arrêt manuel est fermée pour couper l'alimentation en gaz avant de raccorder l'appareil électroménager.
- Le raccordement au gaz doit se trouver dans un endroit permettant l'accès au robinet d'arrêt manuel et qui, le cas échéant, est visible après l'ouverture de la porte ou les tiroirs de l'armoire.

- La conduite de gaz flexible métallique ne doit pas entrer en contact avec les pièces mobiles de l'unité montée (par ex. Tiroirs) ou être posée dans des zones où elle pourrait être coincée ou endommagée.
 - La conduite de gaz métallique flexible ne doit pas entrer en contact avec une table de cuisson, un four, un lave-vaisselle, un réfrigérateur, une machine à laver, une conduite d'eau chaude, un radiateur ou tout autre appareil installé à proximité de la table de cuisson à gaz.
 - La conduite de gaz flexible métallique ne doit pas être soumise à des frottements, des vibrations, des vrilles ou tout autre type de déformation. Il doit être vérifié sur toute sa longueur avec la table de cuisson en position d'installation.
 - Tous les raccords de tuyauterie doivent être scellés conformément aux codes locaux.
- Connectez la conduite de gaz flexible en métal ou le raccord de tuyau métallique fixe du régulateur de pression de la table de cuisson à la valve d'arrêt manuel.

Vérification de la conduite de gaz pour les fuites

Vérifiez l'étanchéité des raccords de la conduite d'alimentation de gaz à l'aide d'une solution savonneuse ou d'un liquide de détection de fuites non corrosif. Ne jamais utiliser une flamme sans égard au type de flamme.

Remarque

- Remarques importantes pour les raccords de gaz :
- L'appareil et son propre robinet d'arrêt doivent être déconnectés de la canalisation du système d'alimentation en gaz au cours de test aux pressions qui dépassent ½ PSI (3,5 kPa).
 - L'électroménager doit être isolé de la canalisation du système d'alimentation en gaz en fermant son propre robinet d'arrêt manuel pour tout test de pression à des pressions égales ou inférieures à ½ PSI (3,5 kPa).

1. Ouvrez le gaz.
2. Appliquez une solution savonneuse ou un liquide de détection de fuites non corrosif à toutes les jonctions et tous les raccords des conduites de gaz entre le robinet d'arrêt et la table de cuisson. Vérifiez également les raccords de gaz et les joints de la table de cuisson si les connexions peuvent avoir été perturbées pendant l'installation.
- ✓ Les bulles qui apparaissent autour des raccords indiquent une fuite.
3. En présence d'une fuite, coupez l'alimentation en gaz en fermant le robinet d'arrêt et serrez le ou les raccords qui fuient.
4. Tester de nouveau la présence de fuites en ouvrant le robinet d'arrêt de l'alimentation de gaz.
- ✓ Lorsque la vérification des fuites est terminée et qu'aucune bulle n'apparaît, le test est terminé.
5. Essuyez toute solution savonneuse ou résidu de liquide de détection.

4.6 Connexion de l'alimentation électrique

⚠ MISE EN GARDE

Avant de brancher le cordon électrique, assurez-vous que le robinet d'arrêt de gaz et toutes les commandes du brûleur sont en position OFF (ARRÊT).

- Branchez la fiche du cordon électrique sur une prise électrique reliée à la terre. La prise doit être accessible une fois l'installation de l'appareil terminée.

4.7 Assemblage des pièces du brûleur

Il faut que les pièces de brûleurs soient correctement positionnées pour le bon fonctionnement de la table de cuisson.

Remarque

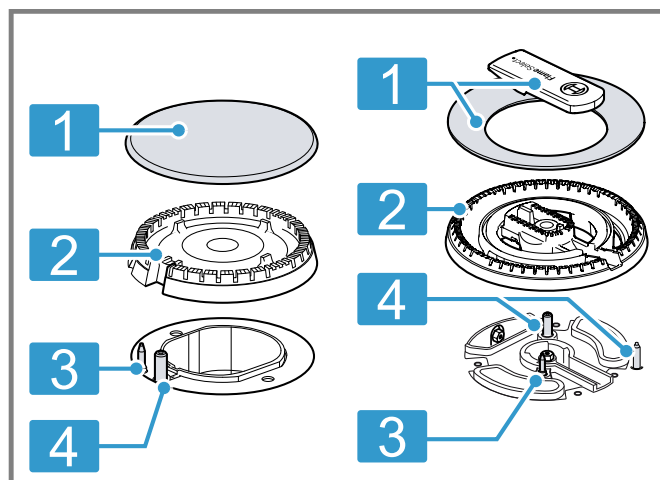
Un ou plusieurs problèmes peuvent survenir si une pièce de brûleur n'est pas bien positionnée :

- Les flammes du brûleur sont trop élevées.
- Des flammes jaillissent des brûleurs.
- Les brûleurs ne s'allument pas.
- Les flammes du brûleur ne sont pas uniformes.
- Les brûleurs dégagent une odeur de gaz.

⚠ AVERTISSEMENT

Retirez tout le ruban adhésif des pièces du brûleur et de la surface de cuisson avant d'utiliser l'appareil.

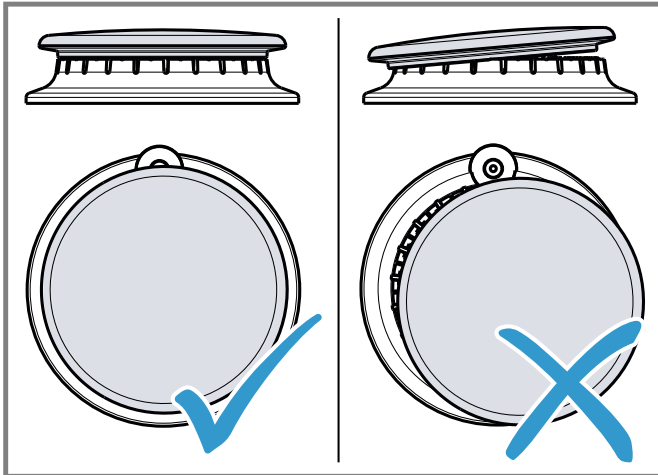
1. Assemblez les pièces du brûleur conformément à l'illustration.



- | | |
|---|--------------------|
| 1 | Chapeau du brûleur |
| 2 | Base du brûleur |
| 3 | Thermocouple |
| 4 | Allumeur |

Assurez-vous que les broches du chapeau du brûleur s'insèrent parfaitement dans la rainure de la base du brûleur.

2. Vérifiez qu'il n'y ait aucun espace entre les parties du brûleur. Vous pouvez essayer de bouger délicatement les pièces du brûleur pour vérifier si elles sont correctement positionnées.

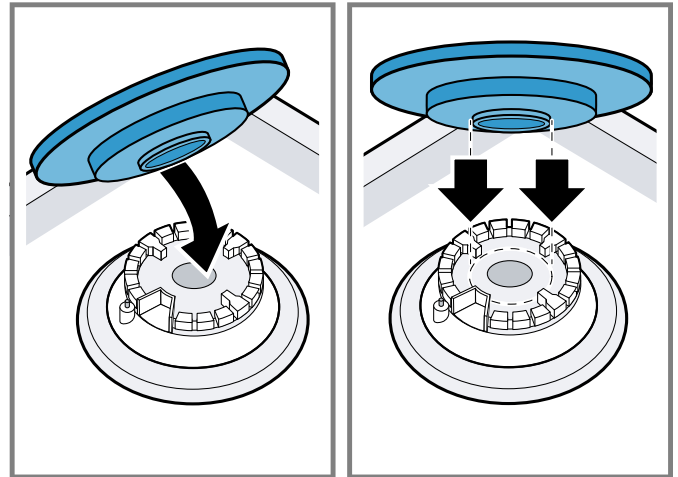


4.8 OptiSim® fonctionnalité

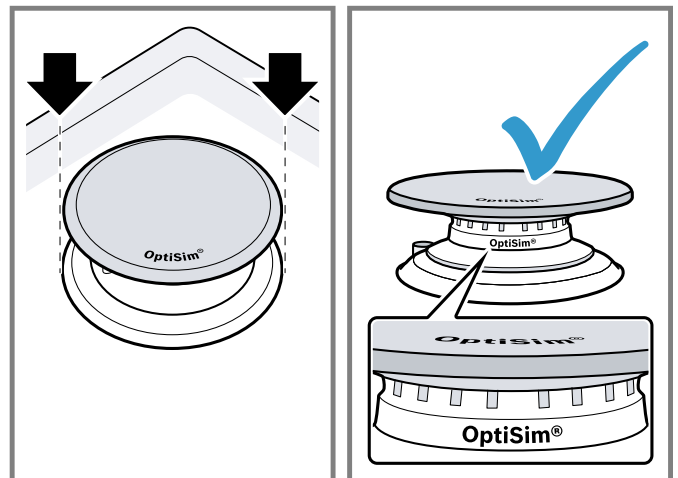
Le couvercle du brûleur OptiSim® a été conçu pour fonctionner avec le petit brûleur à la position avant gauche de la table de cuisson. Il est utilisé pour faire mijoter de façon optimale les sauces délicates tout en minimisant le risque de brûlure.

Installation du chapeau de brûleur OptiSim®

- ▶ Placez le chapeau du brûleur sur la base du brûleur, de sorte que la saillie inférieure se verrouille en place au centre de la base du brûleur.



- ✓ Lorsqu'il est correctement installé, le chapeau du brûleur OptiSim® s'étendra au-delà de la base du brûleur et de la surface surélevée.



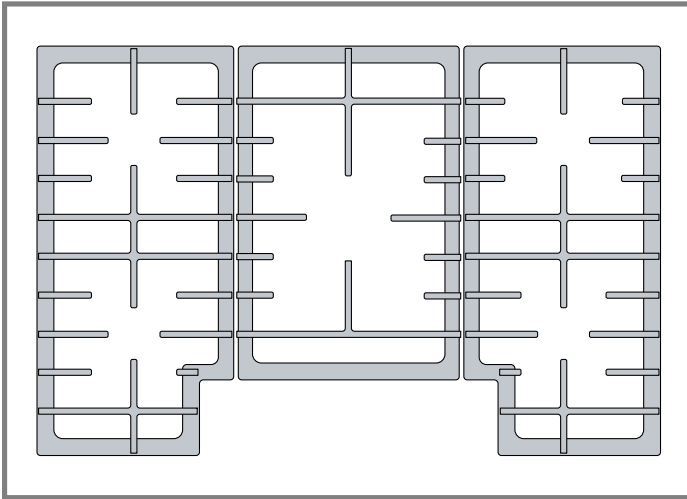
4.9 Installation des grilles de brûleur

⚠ AVERTISSEMENT

Des grilles mal positionnées peuvent provoquer des poussées de flammes.

- ▶ Positionnez correctement toutes les grilles sur la table de cuisson chaque fois que la table de cuisson est utilisée pour soutenir correctement les casseroles et éviter les déversements.
- ▶ Assurez-vous que chacun des quatre pattes des grilles est placé dans les fossettes correspondantes sur la surface de cuisson.
- ▶ Ne pas utiliser une grille si les pieds de caoutchouc sont manquants ou endommagés.

Installation typique de la grille du brûleur



4.10 Inspecter l'installation

Vérifiez si votre appareil fonctionne correctement après avoir terminé les étapes d'installation.

⚠ AVERTISSEMENT

Avant de mettre sous tension la source d'alimentation, vérifiez que toutes les commandes sont à la position OFF (Arrêt).

Caractéristiques de la flamme

La couleur de la flamme vous indique si l'alimentation en gaz est correctement réglée.

Remarque : Laisser l'appareil fonctionner pendant 4 à 5 minutes avant d'évaluer la flamme. Des stries jaunes sont normales lors de la première mise en service.

Flamme	Image	Mesure
Complètement ou principalement jaune		Vérifiez que le régulateur est réglé pour le bon carburant. Recommencez le test après le réglage.
Pointes jaunes sur les cônes extérieurs :		Normales pour un gaz de pétrole liquéfié
Bleu doux		Normales pour le gaz naturel

5 Conversion au gaz LP

Votre appareil est équipé pour une utilisation avec du gaz naturel à la livraison. Il peut être converti en alimentation en GPL.

Les composants requis pour la conversion au GPL sont contenus dans la trousse de conversion au GPL inclus avec cet appareil ou sont disponibles auprès du Service à la clientèle.

→ "Service à la clientèle", Page 35

Seul un technicien ou un installateur qualifié est autorisé à convertir l'appareil à un autre type de gaz.

1. Assurez-vous que les chapeaux des brûleurs sont correctement positionnés.
2. Allumez chaque brûleur à tour de rôle et vérifiez que les allumeurs électriques fonctionnent.
3. Tournez le bouton de commande entre le réglage le plus élevé et le plus bas. S'assurer que la flamme ne s'éteint pas et qu'il y a aucun retour de flamme.
4. Si vous avez effectué une conversion au GPL, vérifiez le réglage le plus bas pour confirmer que les flammes sont stables sur les orifices et que les vis de réglage n'ont pas besoin d'être réajustées.
5. Vérifiez les caractéristiques de la flamme.
La flamme doit être bleue avec une pointe jaune minimale sur le cône extérieur.
6. Après avoir effectué toutes les vérifications, terminez l'installation du panneau horizontal ou du four.
→ Page 26

Remarque : L'électroménager est livré de l'usine prêt à utiliser avec du gaz naturel. Si vous souhaitez utiliser du gaz propane, il doit être converti. Un technicien ou un installateur qualifié doit procéder à la conversion. Reportez-vous à Conversion au GPL. → Page 31

Avant d'effectuer la conversion, coupez l'alimentation en électricité et en gaz.

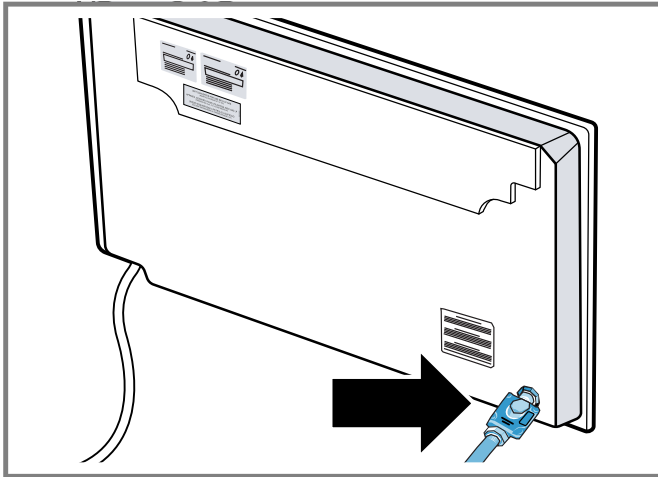
5.1 Conversion du régulateur de pression

⚠ AVERTISSEMENT

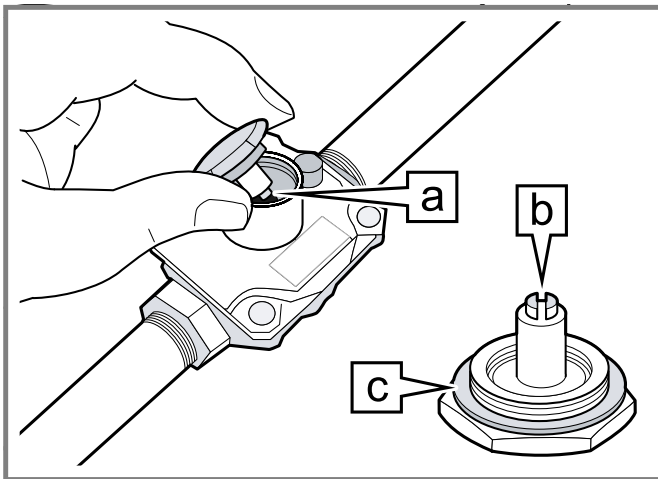
Coupez l'alimentation en électricité et en gaz avant d'effectuer la conversion.

Exigence : Suivez les instructions d'installation de ce manuel jusqu'à la section incluse
→ "Fixation de la table de cuisson au comptoir", Page 27 avant de commencer la conversion au GLP.

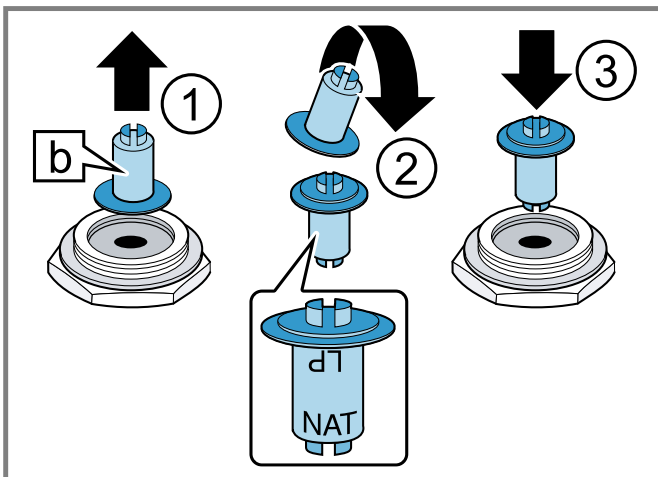
1. Localisez le régulateur de pression sur l'extrémité inférieure droite de l'appareil.



2. Retirez le capuchon de conversion en forme d'hexagone du régulateur. Assurez-vous de ne pas déloger le joint **c** du capuchon ou le ressort **a** à l'intérieur du régulateur.

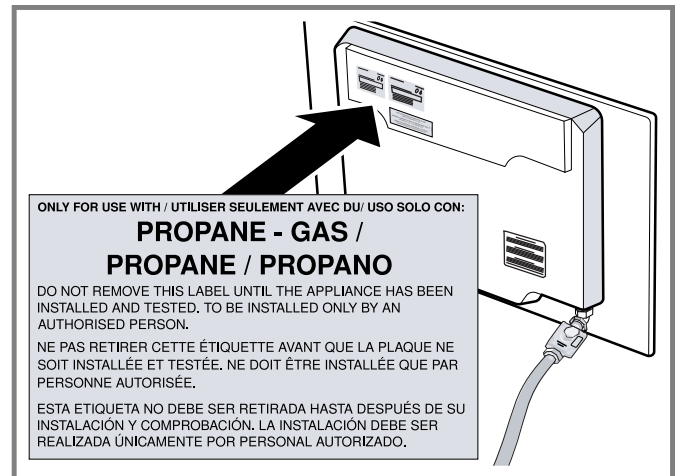


3. Saisissez la tige d'orifice en plastique **b** fermement et tirez-le avec force du capuchon de conversion ①. La tige s'enclenche et est bien serrée dans une rainure du capuchon et peut demander beaucoup de force pour la retirer. Il peut être utile de balancer délicatement la tige de plastique tout en tirant dessus pour le retirer du capuchon de métal.



4. Faites pivoter la tige ② de 180 °.

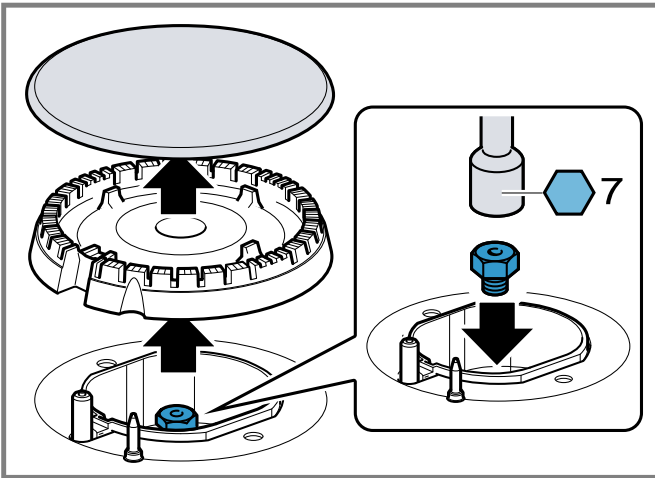
- ✓ Confirmez que l'extrémité du bouton de la tige de l'orifice est éloignée du capuchon de conversion.
 - ✓ Vérifiez que les lettres « LP » sur la tige de l'orifice sont à l'envers lorsque le capuchon de conversion est placé à plat sur sa tête.
5. Remettez la tige de l'orifice en place dans cette position en l'insérant dans l'encoche du capuchon de conversion ③.
 6. Insérez le capuchon hexagonal dans le régulateur et serrez, ne serrez pas trop fort.
 7. **IMPORTANT** : Fixez l'autocollant métallique inclus avec la trousse de conversion au GPL au bas de l'appareil comme illustré. Cet autocollant indique que l'électroménager a été converti à une utilisation de gaz de GPL. Il doit être situé près de la plaque signalétique de l'appareil.
→ "Emplacement de la plaque signalétique", Page 35



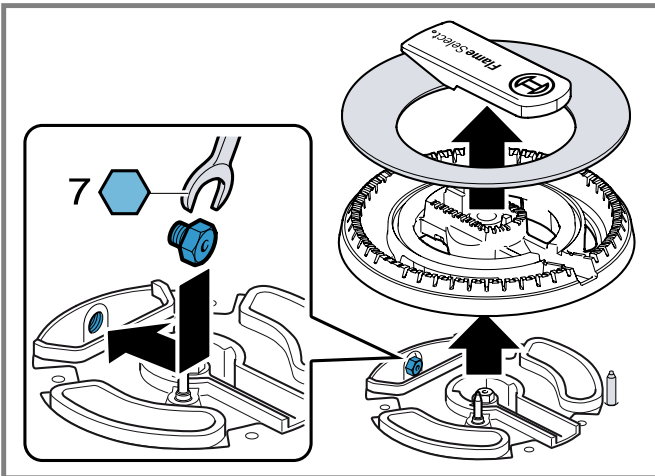
Remarque : Si vous reconvertissez au gaz naturel plus tard, retirer l'adhésif.

5.2 Remplacement des orifices

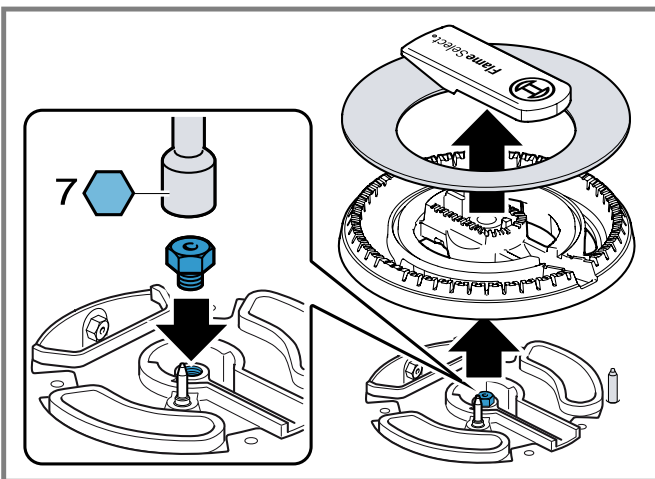
1. Retirez toutes les grilles de brûleur, les chapeaux de brûleur et les bases de brûleur.
2. Retirez les orifices de gaz naturel et remplacez-les par des orifices de GPL à l'aide d'une clé à douille de 7 mm. Consultez le tableau des brûleurs → Page 34.
 - Pour faciliter l'installation, utilisez un petit morceau de ruban adhésif et insérez-le dans la clé à douille pour empêcher l'orifice de tomber.
 - Il est important de s'assurer que les orifices ne se détachent pas lors du retrait ou de la fixation. Elles doivent être bien serrées pour éviter les fuites.



Brûleur normal avec un orifice



Brûleur à double flamme, premier orifice



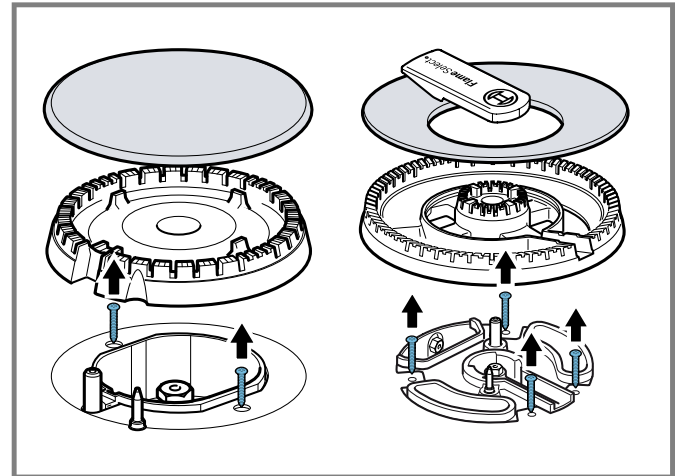
Brûleur à double flamme, deuxième orifice

3. Fixez les orifices.
4. Conservez les ports retirés de l'appareil électroménager pour un usage ultérieur.

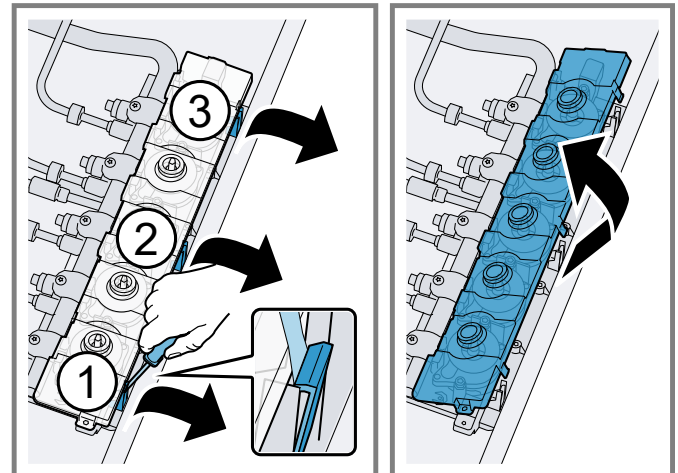
5.3 Ajustement des soupapes de gaz

1. Tournez les boutons de commande en position off.
2. Retirez les boutons de commande.

3. Retirez les vis de chaque brûleur et soulevez le dessus principal de la table de cuisson.



4. Retirez l'ensemble électronique du panneau de commande :
 - À l'aide d'un tournevis à tête plate, soulevez soigneusement les languettes noires à l'avant du panneau une par une, tout en soulevant le couvercle transparent de l'ensemble électronique pour dégager les languettes.
 - Lorsque tous les onglets sont déverrouillés, vous pouvez retirer l'ensemble électronique.

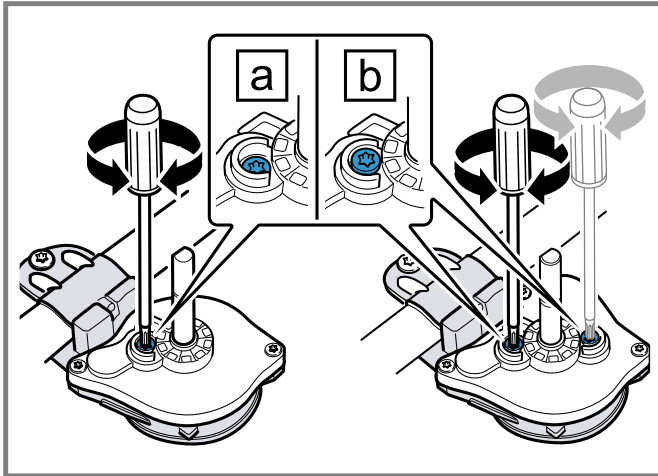


5. Retirez les disques noirs des tiges de valve. Assurez-vous que les ressorts sous les disques noirs ne se détachent pas.

6. Ajustez la vis de réglage à tête étoile T10 noire avec un tournevis à tête étoile T10. Reportez-vous au tableau du brûleur pour le réglage correct des vis de réglage (M).

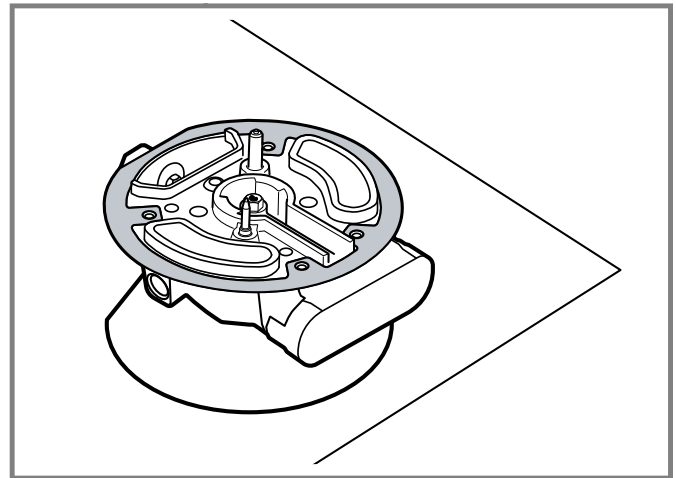
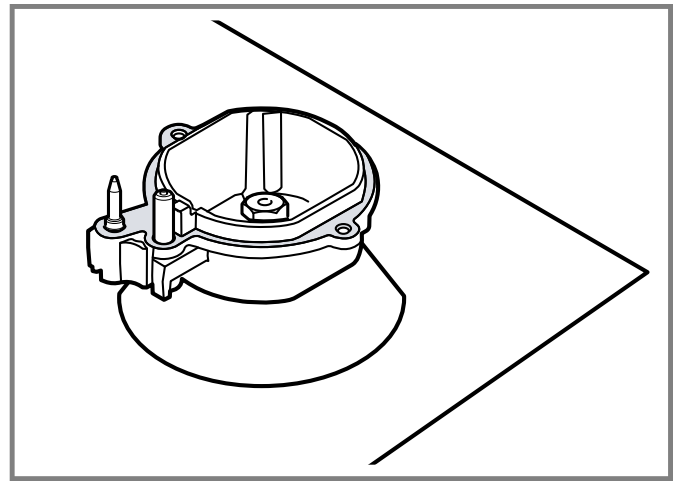
→ "Tableau des brûleurs", Page 34

- Utiliser le réglage **a** pour le gaz GPL. Les vis de réglage doivent être correctement serrées.
- Utiliser le réglage **b** pour le gaz naturel. Les vis de réglage doivent finir au ras du raccord.



Le brûleur à flamme double comporte deux vis de réglage.

7. Remplacez les disques noirs.
8. Remplacez l'ensemble électronique en exerçant une légère pression afin que les languettes s'enclenchent. Assurez-vous de ne pas pincer les câbles de connexion.
9. Assurez-vous que les joints autour des bases des brûleurs sont en place.



10. Réinstallez le dessus principal et les boutons de commande.
11. Remplacez toutes les bases de brûleur, les chapeaux de brûleur et les grilles de brûleur.
12. Continuer la procédure d'installation à partir de → "Aperçu de la connexion", Page 28
13. Une fois l'installation terminée, vérifiez que l'appareil fonctionne correctement. → "Inspecter l'installation", Page 31.

Remarque : En cas de dommage, il faut remplacer au complet la soupape à gaz.

5.4 Tableau des brûleurs

Reportez-vous à cette présentation pour les spécifications des différents brûleurs.

Chapeau du brûleur	Type de gaz	Pression en pouces wc	Orifice	BTU/h	kW	M (réglage de la vis de réglage de la soupape)
Petit brûleur	Gaz naturel	6	77	3,400	1.00	b
	Gaz au propane	10	54	3,400	1.00	a
Grand brûleur	Gaz naturel	6	133	10,300	3.00	b
	Gaz au propane	10	93	10,300	3.00	a
Brûleur moyen	Gaz naturel	6	102	6,000	1.75	b
	Gaz au propane	10	71	6,000	1.75	a

Chapeau du brûleur	Type de gaz	Pression en pouces wc	Orifice	BTU/h	kW	M (réglage de la vis de réglage de la soupape)
Brûleur à flamme double	Gaz naturel	6	NG: :	18,000	5.30	b
	Gaz au propane	10	■ extérieur : 170	11,100	3.30	a
			■ intérieur : 55			
	PG :					
■ extérieur : 95						
			■ intérieur : 39			

6 Service à la clientèle

Contactez notre service à la clientèle si vous avez des questions, si vous n'arrivez pas à corriger un défaut de l'appareil ou si ce dernier doit être réparé.

Lors de toute réparation réalisée dans le cadre de la garantie, nous nous assurons que votre appareil est réparé avec des pièces de rechange d'origine par un technicien dûment formé et agréé. Nous utilisons exclusivement des pièces de rechange d'origine lors des réparations.

Pour plus d'informations sur la durée et les conditions de la garantie dans votre pays, consultez nos modalités de garantie auprès de votre détaillant ou sur notre site Web. Si vous contactez le service à la clientèle, indiquez le numéro de modèle (E-Nr.) et le numéro de fabrication (FD) de l'appareil.

USA:

1-800-944-2904

www.bosch-home.com/us/owner-support/get-support

www.bosch-home.com/us/shop

CA:

1-800-944-2904

www.bosch-home.ca/en/service/get-support

www.bosch-home.ca/en/service/cleaners-and-accessories

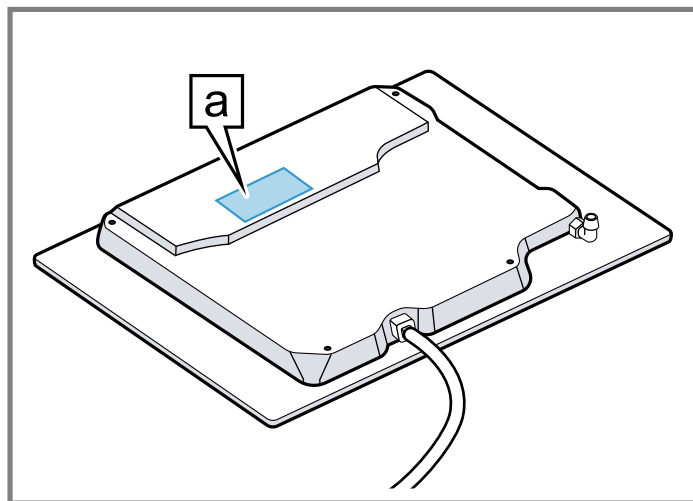
6.1 Numéro de modèle (E-Nr.) et numéro de fabrication (FD)

Le numéro de modèle (E-Nr.) et le numéro de fabrication (FD) sont indiqués sur la plaque signalétique de l'appareil. Pour retrouver rapidement les données de votre appareil et le numéro de téléphone du service à la clientèle, n'hésitez pas à les recopier ailleurs.

6.2 Emplacement de la plaque signalétique

Vous trouverez la plaque signalétique de votre appareil :

- Sur le certificat de l'appareil.
- Sur la face inférieure de l'appareil.



a Plaque signalétique

Tabla de contenidos

1 INSTRUCCIONES DE SEGURIDAD IMPORTANTES.....	37
1.1 Definiciones de seguridad.....	38
1.2 Indicaciones generales.....	38
1.3 Instrucciones generales de seguridad.....	38
1.4 Seguridad de manejo del aparato.....	39
1.5 Códigos y normas de seguridad.....	39
1.6 Seguridad eléctrica.....	39
1.7 Seguridad de los aparatos de gas.....	40
1.8 Instalación con gas propano.....	40
1.9 Recomendaciones de ventilación.....	40
1.10 Instalación a gran altitud.....	41
1.11 Advertencias en virtud de la Proposición 65 del estado de California.....	41
2 Antes de empezar.....	42
2.1 Partes incluidas.....	42
2.2 Herramientas y partes necesarias.....	42
2.3 Requisitos generales.....	42
2.4 Requisitos del gabinete.....	42
2.5 Requisitos de la superficie de trabajo.....	43
2.6 Requisitos de gas.....	43
2.7 Requisitos eléctricos.....	43
3 Preparar el lugar de instalación.....	43
3.1 Dimensiones de montaje.....	43
4 Procedimiento de instalación.....	44
4.1 Preparación de la placa de cocción.....	44
4.2 Instalar el regulador de presión.....	45
4.3 Asegurar la parrilla a la superficie de trabajo.....	45
4.4 Descripción general de la conexión.....	46
4.5 Conectar el conducto de suministro de gas.....	46
4.6 Conectar el suministro eléctrico.....	47
4.7 Colocar los componentes de los quemadores.....	47
4.8 Función OptiSim®.....	48
4.9 Instalar las rejillas de los quemadores.....	48
4.10 Comprobar la instalación.....	49
5 Conversión a gas LP.....	49
5.1 Convertir el regulador de presión.....	49
5.2 Sustituir las espreas.....	50
5.3 Ajustar las válvulas de gas.....	51
5.4 Tabla de los quemadores.....	52
6 Servicio de atención al cliente.....	53
6.1 Número de modelo (E-Nr.) y número de fabricación (FD).....	53
6.2 Ubicación de la placa de características del aparato.....	53



INSTRUCCIONES DE SEGURIDAD IMPORTANTES

LEA Y CONSERVE ESTAS INSTRUCCIONES

Leer atentamente todas las instrucciones antes de proceder con el uso. Si se toman estas precauciones, se reducirán los riesgos de descargas eléctricas, incendios y lesiones personales. Al utilizar aparatos de cocina, se deben tomar precauciones de seguridad básicas, incluidas las que se detallan en las páginas siguientes.

⚠ ADVERTENCIA: Si la información en estas instrucciones no se sigue con precisión, se puede producir un incendio o una explosión ocasionando daños a la propiedad, lesiones a las personas o incluso la muerte.

- No almacene ni use gasolina u otros vapores y líquidos inflamables en la proximidad de este aparato o cualquier otro.
- **QUÉ HACER SI DETECTA OLOR A GAS**
 - No trate de encender ningún aparato.
 - No toque ningún interruptor eléctrico.
 - No utilice ningún teléfono en su edificio.
 - Llame inmediatamente a su proveedor de gas desde un teléfono vecino. Siga las instrucciones del proveedor de gas.
 - Si no puede contactar a su proveedor de gas, comuníquese con el departamento de bomberos.
- La instalación y el servicio deben ser llevados a cabo por un instalador calificado, agencia de servicio o el proveedor de gas.

⚠ ADVERTENCIA:

No operar nunca la zona de cocción de la superficie de este electrodoméstico sin supervisión.

- Si no se observa esta advertencia, se podría producir una explosión o un riesgo de quemaduras que podría dar lugar a daños materiales, personales o incluso la muerte.
- Si ocurriera un incendio, mantenerse alejado del aparato y ponerse en contacto de inmediato con los bomberos.

**NO INTENTAR EXTINGUIR CON AGUA
UN INCENDIO CAUSADO POR ACEITE/GRASA**



INSTRUCCIONES DE SEGURIDAD IMPORTANTES

LEA Y CONSERVE ESTAS INSTRUCCIONES

1.1 Definiciones de seguridad

Aquí puede encontrar explicaciones de las palabras de señal de seguridad utilizadas en este manual.

ADVERTENCIA

Esto indica que pueden producirse la muerte o heridas graves si no se cumple con esta advertencia.

PRECAUCIÓN

Esto indica que pueden producirse heridas leves o moderadas si no se cumple con esta advertencia.

AVISO:

Esto indica que pueden producirse daños en el aparato o en los bienes si no se cumple con este aviso.

Nota: Esto alerta sobre información o sugerencias importantes.

1.2 Indicaciones generales

- Lea atentamente estas instrucciones.
- Guarde las instrucciones y la información del producto para consultas posteriores o para el próximo propietario.
- El aparato no debe conectarse en caso de haber sufrido daños durante el transporte.

1.3 Instrucciones generales de seguridad

IMPORTANTE: EL MONTAJE DEL ELECTRODOMÉSTICO DEBE REALIZARLO UN INSTALADOR CALIFICADO.

IMPORTANTE: CONSERVAR ESTAS INSTRUCCIONES PARA QUE PUEDA USARLAS EL INSPECTOR DE ELECTRICIDAD LOCAL.

PROPIETARIO: CONSERVAR ESTAS INSTRUCCIONES PARA FUTURAS REFERENCIAS.

INDICACIÓN PARA EL INSTALADOR: ESTAS INSTRUCCIONES DEBEN PERMANECER CON EL APARATO UNA VEZ FINALIZADA LA INSTALACIÓN.

Examinar el aparato después de desembalarlo. En el caso de que se hayan producido daños en el transporte, no enchufarlo.

ADVERTENCIA

Si no se sigue con exactitud la información de este manual, se puede producir un incendio o una descarga eléctrica que podrían causar daños materiales o lesiones personales.

No reparar, reemplazar ni retirar ninguna parte del aparato a menos que se recomiende específicamente en los manuales. La instalación, el servicio técnico o el mantenimiento incorrectos pueden causar lesiones o daños materiales.

- ▶ Consultar este manual como guía.
- ▶ Cualquier otra labor de mantenimiento debe de ser efectuada por un proveedor de servicios de mantenimiento autorizado.

Desconectar el suministro eléctrico y el gas antes de proceder al mantenimiento.

Al instalar una placa de cocción sobre un horno individual, es preciso asegurarse de seguir las instrucciones de los manuales de instalación tanto del horno como de la placa de cocción.

- ▶ La lista de documentos del aparato incluye una matriz de combinaciones aprobadas de placa de cocción y horno; para consultar la última versión, es posible contactar con el Servicio técnico. No se debe bajo ningún concepto tratar de instalar la placa de cocción sobre ningún horno que no figure en dicha lista.

No modificar ni alterar la construcción del aparato.

El aparato solamente deberá usarse si lo ha instalado un técnico calificado, de acuerdo con estas instrucciones de instalación. El fabricante no es responsable de ningún daño causado por una instalación incorrecta.

Para eliminar el riesgo de sufrir quemaduras o que se produzca un incendio al alcanzar las unidades cuya superficie esté caliente, se deberá evitar colocar gabinetes de almacenamiento encima de las unidades de la superficie.

- ▶ Si va a haber gabinetes de almacenamiento, el riesgo puede reducirse colocando una campana que se proyecte horizontalmente como mínimo 5" (127 mm) más allá de la base del gabinete.
- ▶ Verificar que los gabinetes que se encuentren encima de la placa de cocción tengan, como máximo, 13" (330 mm) de profundidad.



INSTRUCCIONES DE SEGURIDAD IMPORTANTES

LEA Y CONSERVE ESTAS INSTRUCCIONES

ADVERTENCIA

La base de la placa de cocción puede calentarse.

- ▶ Si la placa de cocción no se instala en combinación con un horno, montar un panel horizontal debajo de la placa de cocción para evitar el contacto accidental. Consultar la sección sobre el montaje de un panel horizontal. → *Página 44*

ADVERTENCIA

Retirar toda la cinta y el embalaje antes de usar el aparato.

- ▶ Destruir el embalaje después de desembalar el aparato.
- ▶ Desechar el embalaje de manera respetuosa con el medio ambiente.
- ▶ No dejar nunca que los niños jueguen con el material de embalaje.
- ▶ Almacenar las partes pequeñas con seguridad, ya que estas pueden ser tragadas fácilmente.

1.4 Seguridad de manejo del aparato

ADVERTENCIA



Las superficies ocultas pueden tener bordes afilados.

- ▶ Proceder con cuidado al intentar sujetar el aparato por la parte trasera o desde abajo.

1.5 Códigos y normas de seguridad

Este aparato cumple con la última versión de una o varias de las siguientes normas:

- ANSI Z21.1/CSA 1.1: Electrodomésticos de cocción con gas
- La instalación debe realizarse cumpliendo las normas locales o, en ausencia de estas, conforme al Código Nacional de Combustibles Gaseosos (ANSI Z223.1/ NFPA 54) o, si se lleva a cabo en Canadá, al Código de Instalación de Gas Natural y Propano (CSA B149.1).

Es responsabilidad del propietario y del instalador determinar si son aplicables otros requisitos y/o normas en instalaciones específicas.

1.6 Seguridad eléctrica

- **Instalador:** es preciso mostrar al propietario la ubicación del breaker del circuito o del fusible. Marcarla para recordarla más fácilmente.
- Si el Código Nacional Eléctrico (o el Código Eléctrico Canadiense) así lo exige, este aparato debe instalarse con un circuito derivado dedicado por separado.
- Las normativas locales varían. El instalador es responsable de asegurarse de que la instalación, las conexiones y la toma de tierra cumplan con todas las normativas aplicables. El fabricante no se hace responsable de los problemas asociados a un montaje incorrecto de este producto.
- El aparato debe conectarse a tierra conforme a la normativa local o, en ausencia de esta, conforme a la Código Eléctrico Nacional (última versión de la NFPA 70) o, si se lleva a cabo en Canadá, al Código Eléctrico de Canadá (CSA C22.1-02).
- Asegurarse de que el aparato esté correctamente instalado y conectado a tierra por un técnico calificado. La instalación, las conexiones eléctricas y la puesta a tierra deben cumplir con todas las normas aplicables.
- No utilizar un cable de extensión.
- No utilizar un adaptador.
- Para obtener más información, consultar la placa de características.
→ *"Ubicación de la placa de características del aparato", Página 53*

ADVERTENCIA

Antes de realizar la instalación, desconectar la alimentación eléctrica en el panel de servicio.

- ▶ Bloquear el panel de servicio para impedir que se conecte accidentalmente la alimentación eléctrica.
- Para los aparatos provistos de cable y enchufe, no cortar ni retirar la terminal de conexión a tierra;
- ▶ se requiere para enchufarla en un receptáculo adecuado con conexión a tierra para evitar descargas eléctricas.
 - ▶ Si se tienen dudas acerca de si el enchufe de la pared tiene una conexión a tierra adecuada, el cliente debería pedirle a un electricista calificado que lo compruebe.
- ### INSTRUCCIONES PARA LA CONEXIÓN A TIERRA
- ▶ Este aparato debe estar conectado a tierra.
 - ▶ La conexión a tierra reduce el riesgo de descargas eléctricas, ya que proporciona una vía de escape de la corriente eléctrica en caso de cortocircuito.



INSTRUCCIONES DE SEGURIDAD IMPORTANTES

LEA Y CONSERVE ESTAS INSTRUCCIONES

- ▶ Asegurarse de que el aparato esté correctamente instalado y conectado a tierra por un técnico calificado.
- ▶ La instalación, las conexiones eléctricas y la conexión a tierra deben cumplir con todas las normas aplicables.

No usar un cable de extensión. Si el cable de suministro de alimentación es demasiado corto, se deberá solicitar a un electricista calificado que instale una toma de corriente cerca del aparato.

Antes de enchufar un cable eléctrico, asegurarse de que todos los controles se encuentren en la posición OFF (apagado).

Antes de conectar o encender la fuente de alimentación eléctrica, asegurarse de que todos los controles se encuentren en la posición OFF (Apagado).

1.7 Seguridad de los aparatos de gas

Requisitos para el suministro de gas:

- Instalar una llave de cierre de gas cerca del aparato. Tiene que de ser de fácil acceso a ella en caso de emergencia.
- El instalador debe realizar una prueba de fugas conforme a las instrucciones de este manual.
- El aparato y su llave de cierre individual deben estar desconectados del sistema de tuberías de suministro de gas durante cualquier prueba de presión con presiones superiores a 1/2 psi (3.5 kPa).
- El aparato debe aislarse del sistema de tuberías de suministro de gas cerrando su llave de cierre individual manual durante cualquier prueba de presión del sistema de tuberías de suministro de gas con presiones iguales o inferiores a 1/2 psi (3.5 kPa).
- La presión de suministro mínima debe ser 1 pulgada de columna de agua superior a la presión del colector, impresa en la placa de características. La presión de suministro máxima no debe ser superior a 14.0 pulgadas de columna de agua (34.9 milibares).
- Se debe usar un conducto flexible metálico o una tubería de metal fija para conectar el gas al aparato. Si no se puede utilizar tubería de metal para el gas, se debe consultar a un electricista certificado local o los códigos eléctricos locales para realizar una conexión a tierra correcta.

ADVERTENCIA DE SEGURIDAD IMPORTANTE: La combustión del gas combustible para cocinar genera algunos subproductos que figuran en la lista de sustancias catalogadas en el estado de California como cancerígenas o que causan daños reproductivos. Para

minimizar la exposición a dichas sustancias, utilizar siempre este aparato de acuerdo con las instrucciones que contiene este folleto y procurar una buena ventilación.

1.8 Instalación con gas propano

- El tanque de gas propano debe estar equipado con su propio regulador de alta presión. Además, también se debe utilizar el regulador suministrado con esta unidad.
- El aparato se envía desde la fábrica para usarlo con gas natural. Tiene que adaptarse para poder utilizarse con gas propano. Esta conversión tiene que realizarla un técnico calificado o un instalador certificado.
- Para su uso con gas propano, el aparato deberá convertirse de acuerdo con las instrucciones de conversión de LP.
→ "Conversión a gas LP", Página 49

Para instalaciones en Massachusetts

- La instalación debe hacerla un contratista, plomero o instalador de gas calificado o con licencia del estado, provincia o región donde se vaya a instalar este aparato.
- La llave de cierre tiene que ser una llave de gas en T.
- El conector de gas flexible debe tener una longitud no superior a 36 pulgadas.

Instalador: mostrar al propietario dónde está situada la llave para cerrar el gas.

1.9 Recomendaciones de ventilación

Recomendamos encarecidamente instalar una campana extractora de ventilación encima de este aparato. La campana extractora debe instalarse de acuerdo con las instrucciones suministradas con ella.

ADVERTENCIA

El aparato no debe instalarse con un sistema de ventilación que expulse aire hacia abajo, en dirección a los quemadores. Este tipo de ventilación podría causar problemas de ignición y combustión en el aparato de cocción de gas, con lo que se podrían producir lesiones u operación indeseada.



INSTRUCCIONES DE SEGURIDAD IMPORTANTES

LEA Y CONSERVE ESTAS INSTRUCCIONES

1.10 Instalación a gran altitud

Este aparato se ha probado para que funcione a una altitud de hasta 3,080 m (10,100 ft) sobre el nivel del mar.

Puede ser necesario realizar ajustes a la llama del quemador para altitudes superiores a 610 m (2,000 ft) sobre el nivel del mar.

Se deben comprobar los quemadores en su ajuste más bajo; si la llama no es estable, hay que aumentar la llama de cocción a fuego lento hasta que se estabilice la llama. Esto se puede hacer ajustando el tornillo de derivación de la válvula. Si el rendimiento de la llama es satisfactorio, no será necesario realizar ningún ajuste. Se requiere que un profesional certificado realice los ajustes de la instalación para gran altitud.

1.11 Advertencias en virtud de la Proposición 65 del estado de California

Este producto puede contener un químico que el Estado de California reconoce como potencialmente cancerígeno o causante de daños reproductivos. Por tanto, su producto debe llevar en su embalaje la siguiente etiqueta de conformidad con la legislación de California:

ADVERTENCIA EN VIRTUD DE LA PROPOSICIÓN 65 DEL ESTADO DE CALIFORNIA:

⚠ ADVERTENCIA

Cáncer y daño reproductivo - www.P65Warnings.ca.gov

2 Antes de empezar

Leer estas instrucciones antes de comenzar la instalación del aparato.

2.1 Partes incluidas

Después de desembalar el aparato, verifique que todas las piezas no presenten daños ocasionados durante el transporte, así como que el volumen de suministro esté completo.

- Parrilla
- Cinta de espuma
- Soportes de sujeción (4)
- Tornillos, #10-32 x 2½" (63.8 mm), (4)
- Tornillos para placa metálica, #8 x 3/8" (9.5 mm), (4)
- Rondanas (4)
- Rejillas de los quemadores (3)
- Quemadores (5)
- Tapas de los quemadores (6)
- Regulador de presión
- Kit de conversión de gas LP

2.2 Herramientas y partes necesarias

Preparar los siguientes accesorios y herramientas antes de comenzar la instalación del aparato.

- Lápiz
- Cinta métrica
- Desarmador Phillips
- Taladro con broca de 1/4" (6 mm)
- Sierra caladora
- Llave ajustable (perico)
- Cinta Teflon® - clasificada para gases
- Desarmador de punta plana, 1/8"

Herramientas adicionales necesarias para la conversión a gas LP

- Llave de vaso de 7 mm
- Llave fija de boca abierta de 7 mm
- Desarmador de estrella T10
- Desarmador de estrella T20
- Trozo pequeño de cinta

Notas

- Para el montaje independiente, es posible que sea necesario instalar un panel horizontal debajo de la placa de cocción.
→ "Montaje con panel horizontal", *Página 44*
- En superficies de trabajo sólidas, pueden ser necesarios materiales adicionales para la instalación. Contactar con el fabricante de la superficie de trabajo.

2.3 Requisitos generales

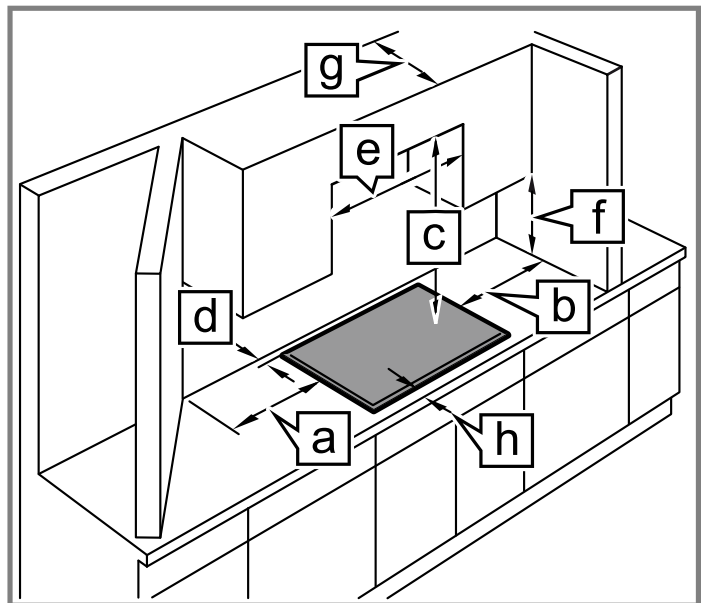
Asegurarse de que se cumplen los siguientes requisitos cuando se planifique la instalación del aparato.

- Planificar la instalación de la unidad de tal manera que el cable de alimentación, la llave de cierre de gas y el regulador de presión sean accesibles desde la parte frontal del gabinete.
- Asegurarse de que el conducto de suministro de gas no interfiera con la parte trasera del aparato.
- El gabinete sobre el cual se va a instalar la placa de cocción debe ser estable y estar fijado y nivelado correctamente.

- Cualquier cubierta laminada y pegamento de los gabinetes adyacentes a la placa de cocción deben estar fabricados con materiales no inflamables y resistentes al calor. Consultar las normas locales de construcción para conocer los materiales aceptables.
- Este aparato no se puede instalar encima de refrigeradores, lavadoras, lavavajillas o aparatos similares.
- Si se va a instalar la placa de cocción en combinación con un horno, consultar la matriz de combinaciones aprobadas que se incluye con el producto para conocer las dimensiones de los recortes y los espacios libres.

2.4 Requisitos del gabinete

Asegurarse de que el gabinete en el que se va a hacer la instalación cumpla los requisitos para una instalación segura.



Los espacios mínimos que deben mantenerse al instalar la parrilla de gas deben ser:

a	mín. 13" (330 mm) para instalarla junto a un horno: mín. 13" (330 mm)
b	mín. 13" (330 mm) para instalarla junto a un horno: mín. 13" (330 mm)
c	distancia mínima de 30" (762 mm) entre la parte superior de la superficie de cocción y la parte inferior de superficies inflamables
d	mín. 3" (76 mm); para instalarla en cocinas en isla, mín. 4" (100 mm)
e	Para parrillas de 30": mín. 30" (760 mm) centrado sobre la parrilla
e	Para parrillas de 36": mín. 36" (914 mm) centrado sobre la parrilla
f	mín. 18" (458 mm)
g	máx. 13" (330 mm)
h	mín. 1¾" (48 mm); para instalarla en cocinas en isla, mín. 4" (100 mm)

2.5 Requisitos de la superficie de trabajo

Asegurarse de que la cubierta en la que se va a instalar la placa de cocción cumple los requisitos para una instalación segura.

⚠ ADVERTENCIA

Para reducir el riesgo de ignición de materiales inflamables cercanos, es preciso instalar el aparato a 13" (330 mm), como mínimo, de ambas paredes laterales, y por lo menos a 3" (76 mm) del panel trasero.

- La cubierta debe estar nivelada.
- La estabilidad de la cubierta debe estar garantizada incluso después de haber cortado el hueco.
- Por norma general, las superficies de trabajo sólidas o laminadas requieren instalaciones especiales. Por ejemplo, puede ser necesario utilizar cinta reflectora del calor y esquinas redondeadas. Contactar con el fabricante de su cubierta para recibir instrucciones específicas.

2.6 Requisitos de gas

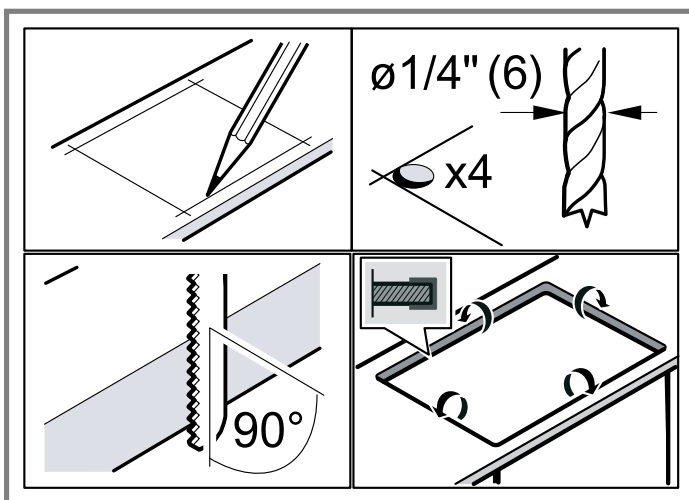
Asegurarse de que se cumplen los requisitos sobre el suministro de gas.

La placa de cocción se envía desde la fábrica para su uso con gas natural. Para utilizarla con gas LP, la conversión tiene que realizarla un técnico o instalador calificado.

Presión de suministro:

- Gas natural: 7 pulgadas de columna de agua (17.4 milibares)
- Gas propano: 11 pulgadas de columna de agua (27.4 milibares)
- El tanque de gas propano debe estar equipado con su propio regulador de alta presión, además del regulador de presión incluido con esta unidad.

3.1 Dimensiones de montaje



2.7 Requisitos eléctricos

Asegurarse de que se cumplen los siguientes requisitos eléctricos.

⚠ PRECAUCIÓN

No usar un cable de extensión con este aparato.

- Este aparato requiere de una conexión de 120 V CA, 60 Hz, 15 A.
- Este aparato está equipado con un cable de alimentación 40" (1000 mm).
- La toma de corriente debe permanecer accesible desde la parte frontal del gabinete después de que se complete la instalación.

3 Preparar el lugar de instalación

Realizar el recorte en la superficie de trabajo de acuerdo con las instrucciones.

Requisitos generales de la superficie de trabajo:

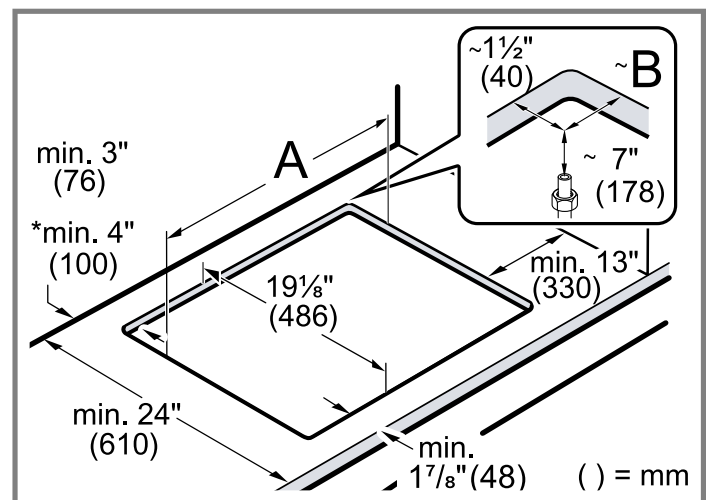
- El ángulo de la superficie cortada con respecto a la superficie de la cubierta debe ser de 90°.
- En las superficies de trabajo de varias capas, fijar regletas laterales en el recorte según sea necesario.
- Eliminar todos los restos después de los trabajos de recorte.
- Seguir las recomendaciones del fabricante de la cubierta para proteger los bordes cortados, p. ej., aplicar cinta de aluminio resistente al calor.
- Si se va a instalar la placa de cocción en combinación con un horno, consultar la matriz de combinaciones aprobadas que se incluye con el producto para conocer las dimensiones de los recortes y los espacios libres.

⚠ ADVERTENCIA

La base de la placa de cocción puede calentarse.

- ▶ Si la placa de cocción no se instala en combinación con un horno, montar un panel horizontal debajo de la placa de cocción para evitar el contacto accidental. Consultar la sección sobre el montaje de un panel horizontal.

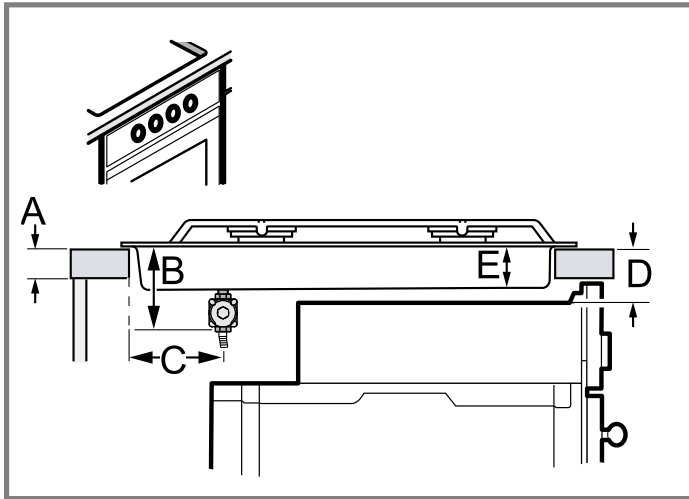
→ *Página 44*



*Para instalar en una isla de cocina.

	NGMP058UC	NGMP658UC
A	28 ¹⁵ / ₁₆ " (735 mm)	34 ¹⁵ / ₁₆ " (887 mm)
B	7 ¹ / ₄ " (184 mm)	10 ¹ / ₄ " (260 mm)

Montaje sobre horno



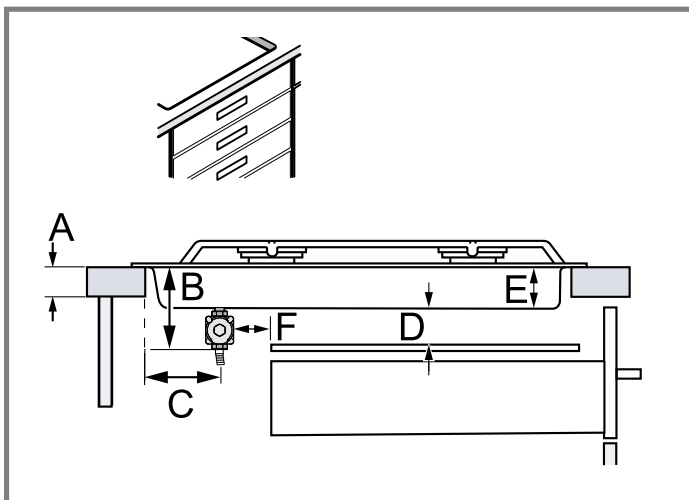
A	mín. ³ / ₄ " (19 mm) máx. 2" (50 mm)
B	5 ⁷ / ₈ " (150 mm)
C	2 ³ / ₄ " (70 mm)
D	Consultar la matriz de combinaciones aprobadas
E	2 ³ / ₈ " (60)

Montaje con panel horizontal

Si no hay ningún horno debajo de la placa de cocción, instalar un panel horizontal. Para permitir el acceso a la conexión de la fuente de alimentación y al regulador, mantener un espacio libre mínimo de ³/₈" (10 mm) desde los bordes del panel (F).

IMPORTANTE: completar el montaje de la placa de cocción antes de instalar el panel horizontal.

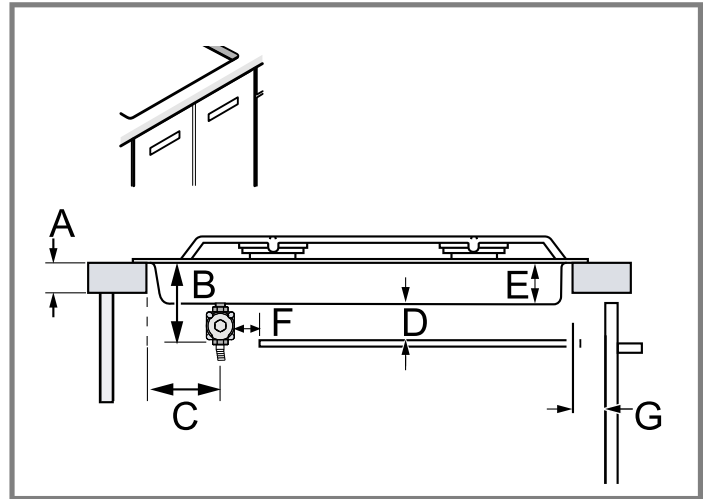
Montaje sobre un cajón



A	mín. ³ / ₄ " (19 mm) máx. 2" (50 mm)
B	5 ⁷ / ₈ " (150 mm)
C	2 ³ / ₄ " (70 mm)

D	mín. 0" (0 mm)
E	2 ³ / ₈ " (60)
F	mín. ³ / ₈ " (10 mm)

Montaje sobre una puerta de gabinete



A	mín. ³ / ₄ " (19 mm) máx. 2" (50 mm)
B	5 ⁷ / ₈ " (150 mm)
C	2 ³ / ₄ " (70 mm)
D	mín. 0" (0 mm)
E	2 ³ / ₈ " (60)
F	mín. ³ / ₈ " (10 mm)
G	mín. 1" (25)

4 Procedimiento de instalación

Es preciso seguir estas instrucciones para instalar la placa de cocción en la superficie de trabajo.

⚠ PRECAUCIÓN

Bordes afilados.

- ▶ Usar guantes de protección al instalar el aparato.

⚠ PRECAUCIÓN

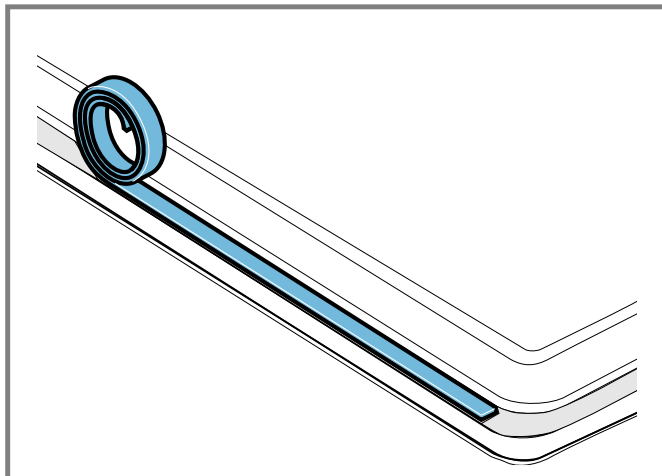
El aparato es muy pesado.

- ▶ Se recomienda que este aparato sea instalado por dos personas.

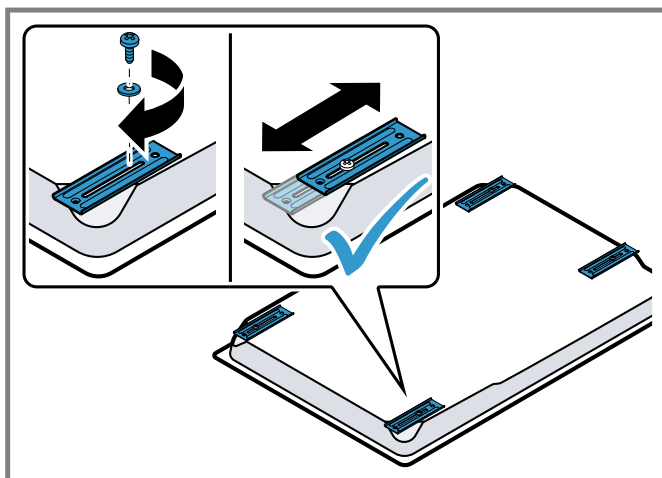
4.1 Preparación de la placa de cocción

1. Colocar la placa de cocción boca abajo sobre una superficie suave y estable. Usar la plancha de espuma del embalaje para proteger las superficies contra los arañazos.

2. Aplicar la cinta de sellado suministrada en los bordes de la parte inferior del aparato a lo largo del reborde de la caja oculta.



3. Fijar las placas de fijación a la parte inferior de la placa de cocción con los tornillos cortos y las arandelas inferiores suministradas. Apretar ligeramente los tornillos para que las abrazaderas no se muevan libremente. Girar las placas de fijación de forma que el aparato pueda colocarse en el recorte.



Nota: La placa de características no será accesible después del montaje. Anotar la información del aparato o consultar el certificado del aparato adjunto.

→ "Ubicación de la placa de características del aparato",
Página 53

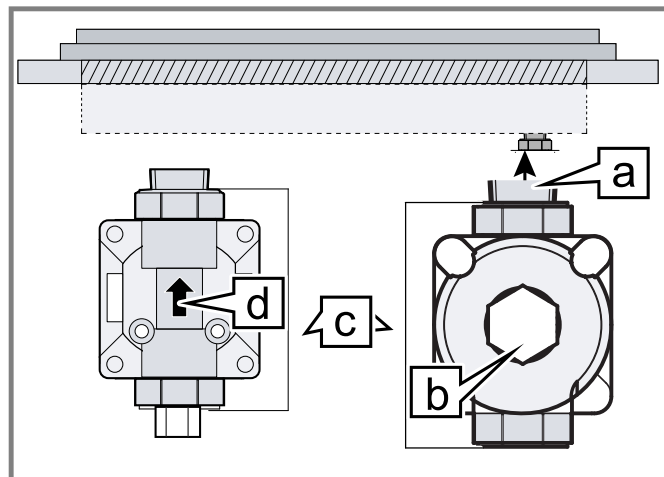
4.2 Instalar el regulador de presión

⚠ ADVERTENCIA

No intentar realizar ningún ajuste en el regulador de presión, excepto al realizar la conversión para gas propano. Los ajustes podrían causar fugas o presión del gas incorrecta en el aparato. Asegurarse de que el conducto de gas utilizado no esté conectado al suministro de gas antes de llevar a cabo los siguientes pasos.

Nota: Todas las conexiones de tuberías deben sellarse de acuerdo con las normas locales.

1. Identificar las partes del regulador de presión.



a	Conexión del colector del aparato
b	Tapa de conversión
c	Regulador de presión
d	La flecha del regulador de presión muestra la dirección del flujo de gas

2. Colocar cinta Teflon® en las roscas del tubo colector. Instalar el regulador de presión (suministrado con la placa de cocción) en la entrada de gas con la flecha de flujo de gas mirando hacia la entrada del colector.
3. Apretar firmemente con la mano el regulador, luego apretar ¼ de vuelta más hasta un máximo de una vuelta completa. Alinear el regulador de modo que se pueda acceder fácilmente a la tapa de conversión.
4. **⚠ ADVERTENCIA** No reutilizar nunca un conector de gas. Los dobleces repetidos, la flexión o las vibraciones extremas provocarán fatiga del metal y debe evitarse.
Aplicar cinta Teflon® a las roscas macho y, luego, conectar un nuevo conducto flexible de metal para el gas de ½" o una tubería de metal fija al regulador de presión.

Nota: Para instalaciones con poco espacio, utilizar un codo macho-hembra de 90° (no incluido) para orientar el regulador horizontalmente.

4.3 Asegurar la parrilla a la superficie de trabajo

La placa de cocción debe asegurarse por la parte inferior usando las placas de fijación suministradas.

⚠ ADVERTENCIA

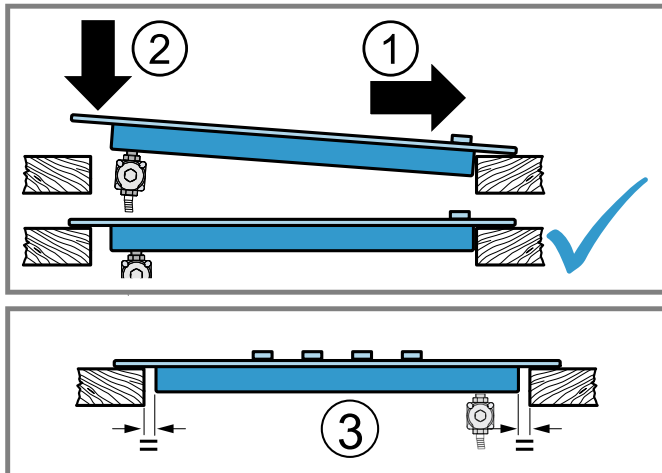
Antes de realizar la instalación, desconectar la alimentación eléctrica en el panel de servicio.

- Bloquear el panel de servicio para impedir que se conecte accidentalmente la alimentación eléctrica.

1. **⚠ PRECAUCIÓN** No dejar caer la placa de cocción en su sitio.
- ▶ Asegurarse de que la placa de cocción esté bien apoyada sobre una superficie amplia de los bordes al colocarla cuidadosamente en el hueco.

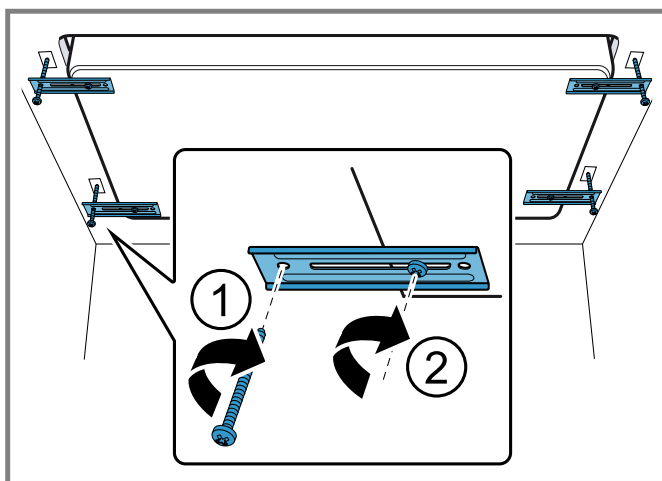
Dar la vuelta a la placa de cocción con cuidado, procurando no dañar el regulador de presión y la tubería de gas.

- Colocar la placa de cocción con cuidado en el recorte de la cubierta, jalando de ella hacia la parte frontal del recorte ①.
- Bajar la parte trasera de la placa de cocción para que descansa plana sobre la cubierta ②.
- Centrar la placa de cocción a izquierda y derecha en el recorte ③.



2. Insertar los tornillos de sujeción de 2½" en los orificios roscados de las placas de fijación, deslizar o girar las placas para que los tornillos de sujeción entren en contacto con la parte inferior de la cubierta.

- Proteger las cubiertas delicadas colocando un disco de madera por debajo.
- Apretar con la mano el primer tornillo y comprobar la posición de la placa de cocción; luego, fijar la placa de cocción apretando todos los tornillos de sujeción ①.
- Apretar los tornillos de la placa de cocción ②.

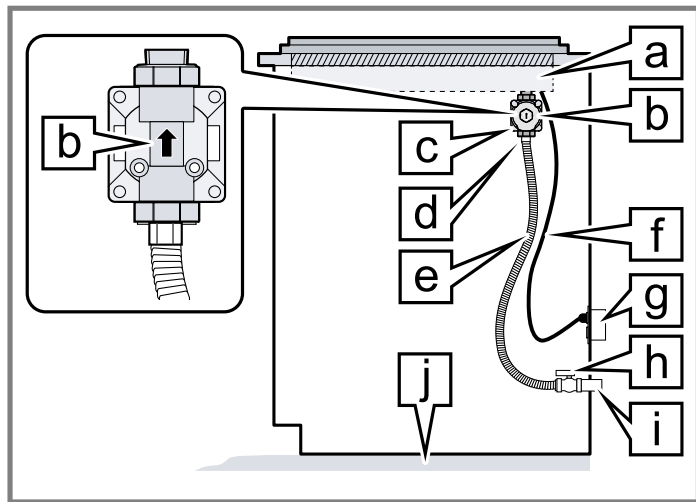


Nota: No utilizar silicón para pegar la placa a la superficie de trabajo.

4.4 Descripción general de la conexión

Consultar esta ilustración para localizar las conexiones eléctricas y de gas del aparato.

Nota: El aparato está configurado para usarlo con gas natural de forma predeterminada. Si se desea utilizar el aparato con gas LP, consultar la sección de conversión a gas LP antes de continuar con el montaje. → *Página 49*



- a Caja oculta de la placa de cocción
- b La flecha del regulador de presión muestra la dirección del flujo de gas
- c Regulador de presión
- d Roscas hembra de ½"
- e Conducto metálico flexible de gas
- f Cable de alimentación (40"/1 m)
- g Tomacorriente de 120 V
- h Llave de cierre de gas
- i Casquillo de conexión de la línea de suministro de gas
- j Piso

4.5 Conectar el conducto de suministro de gas

El aparato se envía desde la fábrica para usarlo con gas natural. Tiene que adaptarse para poder utilizarse con gas propano. Esta conversión tiene que realizarla un técnico o instalador calificado.

Nota

Asegurarse de que se cumplen los siguientes requisitos antes de intentar conectar el aparato al suministro de gas:

- Antes de conectar el aparato, comprobar si las condiciones de conexión del lugar, como el tipo y la presión del gas, coinciden con la configuración del equipo.
- Asegurarse de que el suministro de gas esté cerrado mediante la llave de cierre manual antes de conectar el aparato.
- La conexión de gas debe hallarse en una ubicación que permita el acceso a la llave de cierre manual y que, si es el caso, sea visible tras la apertura de la puerta o los cajones del gabinete.

- El conducto flexible de metal para el gas no debe entrar en contacto con partes móviles del mueble donde está instalado el aparato (por ejemplo, un cajón) o colocarse en un lugar donde podría aplastarse o deteriorarse.
 - El conducto flexible de metal para el gas no debe entrar en contacto con la parrilla, un horno, un lavavajillas, un refrigerador, una lavadora, las tuberías del agua caliente, un radiador o cualquier otro aparato instalado cerca de una parrilla de gas.
 - El conducto flexible de metal para el gas no debe estar expuesto a roces, vibraciones, dobleces o deformaciones de cualquier otro tipo. Debe comprobarse en toda su longitud con la parrilla en la posición de instalación.
 - Todas las conexiones de tuberías deben sellarse de acuerdo con las normas locales.
- Conectar el conducto flexible de metal para el gas o la tubería de metal fija del regulador de presión de la placa de cocción a la llave de cierre manual.

Comprobar si hay fugas en el conducto de gas

Comprobar que no haya fugas en las conexiones de los conductos de suministro de gas mediante una solución jabonosa o un fluido de detección de fugas que no sea corrosivo. No utilizar ningún tipo de llama.

Nota

Notas importantes acerca del suministro de gas:

- El aparato y su llave de cierre individual deben estar desconectados del sistema de tuberías de suministro de gas durante cualquier prueba de presión con presiones superiores a 1/2 psi (3.5 kPa).
- El aparato debe aislarse del sistema de tuberías de suministro de gas cerrando su llave de cierre individual manual durante cualquier prueba de presión del sistema de tuberías de suministro de gas con presiones iguales o inferiores a 1/2 psi (3.5 kPa).

1. Abrir el gas.
2. Aplicar una solución jabonosa o un fluido de detección de fugas que no sea corrosivo en todas las juntas y acoplamientos en el suministro de gas entre la llave de cierre y la placa de cocción. Comprobar también los acoplamientos y las juntas de gas de la placa de cocción si existe la posibilidad de que las conexiones se hayan visto alteradas durante la instalación.
- ✓ Si aparecen burbujas en los acoplamientos y conexiones, hay una fuga.
3. Si se detecta una fuga, cerrar la llave de cierre del suministro de gas y apretar las conexiones.
4. Volver a comprobar si hay fugas abriendo la llave.
- ✓ Cuando se finaliza la comprobación de fugas (no aparecen burbujas), la prueba ha terminado.
5. Limpiar con un trapo todos los restos de fluido de detección o solución jabonosa.

4.6 Conectar el suministro eléctrico

⚠ PRECAUCIÓN

Antes de enchufar un cable eléctrico, asegurarse de que la llave de cierre de gas y todos los controles de los quemadores se encuentren en la posición OFF (apagado).

- Conectar el enchufe del cable eléctrico a una toma de corriente conectada a tierra. La toma de corriente debe ser accesible después de la instalación del aparato.

4.7 Colocar los componentes de los quemadores

Los componentes de los quemadores deben estar colocados correctamente para que la placa de cocción de gas funcione bien.

Nota

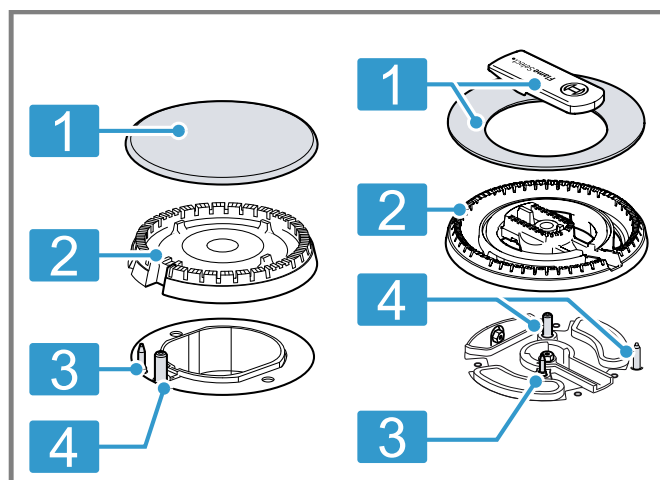
Si los componentes del quemador no están bien colocados, podrían darse uno o varios de los siguientes problemas:

- Las llamas de los quemadores son demasiado altas.
- Las llamas salen disparadas de los quemadores.
- Los quemadores no se prenden.
- Las llamas del quemador no son uniformes.
- Los quemadores emiten olor a gas.

⚠ ADVERTENCIA

Retirar toda la cinta de los componentes del quemador y de la superficie de la placa de cocción antes de usar el aparato.

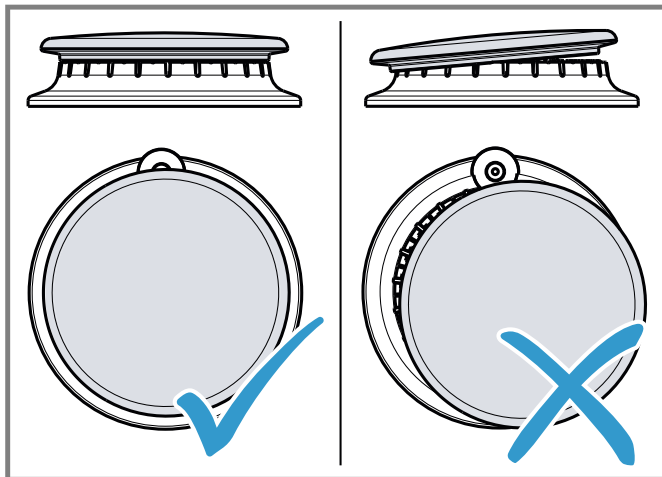
1. Colocar los componentes de los quemadores de acuerdo con la ilustración.



- | | |
|---|-------------------|
| 1 | Tapa del quemador |
| 2 | Base del quemador |
| 3 | Termopar |
| 4 | Encendedor |

Asegurarse de que los dientes de la tapa del quemador encajen cómodamente en las ranuras de las tapas.

2. Comprobar que no haya ninguna separación entre los componentes del quemador. Puede comprobarse moviendo con suavidad los componentes del quemador hacia los lados para comprobar que estén colocados correctamente.

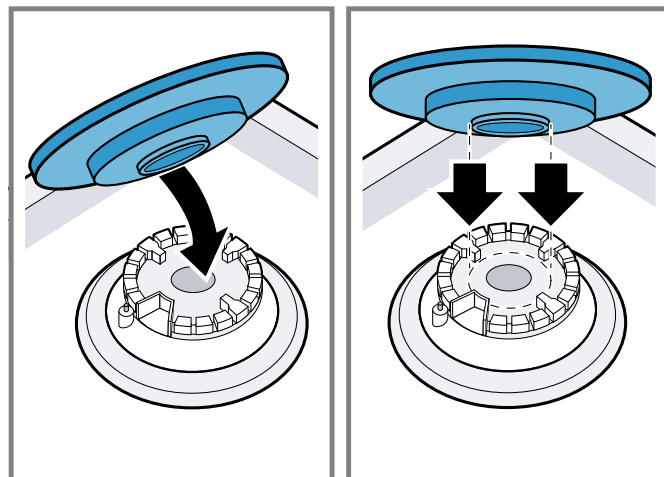


4.8 Función OptiSim®

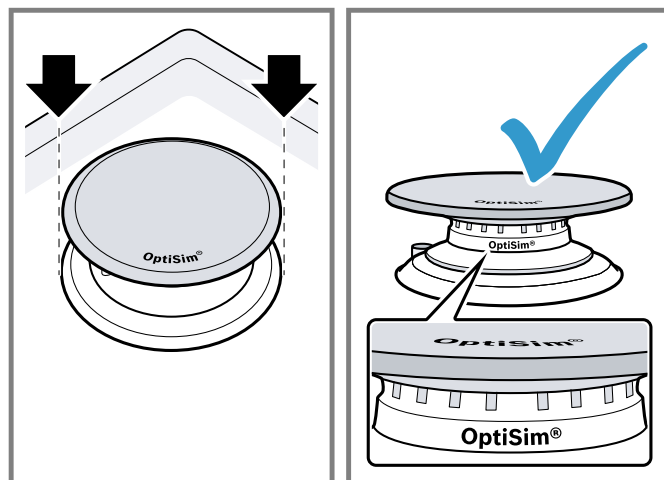
La tapa del quemador OptiSim® está diseñada para funcionar con el quemador pequeño en la posición frontal izquierda de la placa de cocción. Sirve para lograr un hervido a fuego lento óptimo para salsas delicadas y minimizar el riesgo de quemarlas.

Instalar la tapa del quemador OptiSim®

- ▶ Colocar la tapa del quemador en la base del quemador, de modo que el saliente inferior se bloquee en su lugar en el centro de la base del quemador.



- ✓ La tapa del quemador OptiSim® está correctamente instalada si sobrepasa la base del quemador y queda elevada sobre la superficie.



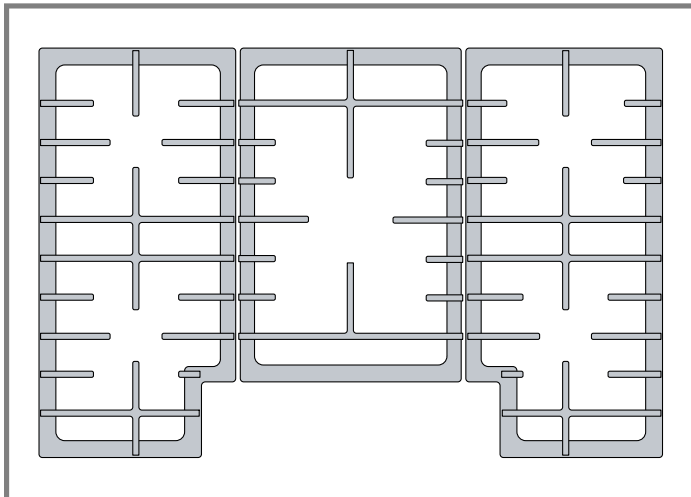
4.9 Instalar las rejillas de los quemadores

⚠ ADVERTENCIA

Las rejillas colocadas de forma incorrecta pueden provocar llamaradas.

- ▶ Para apoyar bien los recipientes y evitar derramar alimentos, las rejillas deben estar correctamente colocadas en la placa de cocción siempre que esta se utilice.
- ▶ Asegurarse de que todas las patas de las rejillas estén colocadas en las marcas correspondientes de la placa de cocción.
- ▶ No utilizar una rejilla si no tiene las patas de hule o están dañadas.

Montaje típico de la rejilla del quemador



1. Asegurarse de que las tapas de los quemadores estén colocadas correctamente.
2. Encender cada quemador por turno y comprobar que los encendedores eléctricos estén funcionando.
3. Girar las perillas de control entre los ajustes más alto y más bajo. Asegurarse de que la llama no se apague y de que no se produzcan retrocesos de llama.
4. Si ha realizado una conversión a gas LP, comprobar la configuración más baja para confirmar que las llamas estén estables en los puertos y que no sea necesario reajustar los tornillos de sujeción.
5. Comprobar las características de la llama.
La llama debe ser azul con una mínima punta amarilla en su parte exterior.
6. Después de completar todas las comprobaciones, completar el montaje del panel horizontal o del horno.
→ *Página 44*

Nota: El aparato se envía desde la fábrica para usarlo con gas natural. Tiene que adaptarse para poder utilizarse con gas propano. Esta conversión tiene que realizarla un técnico o instalador calificado. Consultar: Conversión a gas LP. → *Página 49*

4.10 Comprobar la instalación

Una vez completados los pasos de instalación, comprobar si la unidad funciona correctamente.

⚠ ADVERTENCIA

Antes de conectar o encender la fuente de alimentación eléctrica, asegurarse de que todos los controles se encuentren en la posición OFF (Apagado).

Características de la llama

El color de la llama indica si el suministro de gas está ajustado correctamente.

Nota: Dejar que el aparato funcione durante 4 o 5 minutos antes de evaluar la llama. Es normal que haya algunas vetas amarillas al inicio.

Llama	Imagen	Medida
Completamente amarilla o casi		Comprobar que el regulador esté configurado para el combustible correcto. Volver a comprobar tras el ajuste.
Puntas amarillas en la parte exterior		Normal en gas LP
Azul claro		Normal en gas natural

5 Conversión a gas LP

El aparato está configurado para usarlo con gas natural de forma predeterminada. Se puede convertir el aparato para usarlo con gas LP. Los componentes requeridos para convertirlo a gas LP se encuentran en el kit de conversión a LP que viene incluido con este aparato, o se pueden obtener en el servicio técnico.

→ *"Servicio de atención al cliente", Página 53*

Solo un técnico o instalador calificado está autorizado para convertir el aparato a otro tipo de gas.

Antes de llevar a cabo la conversión, desconectar el suministro eléctrico y de gas.

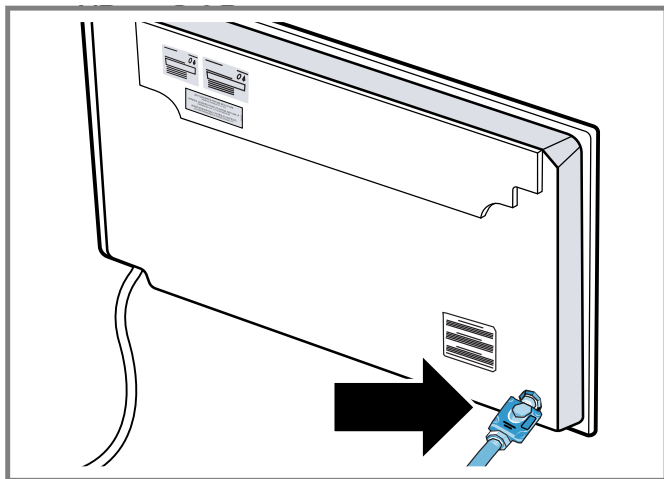
5.1 Convertir el regulador de presión

⚠ ADVERTENCIA

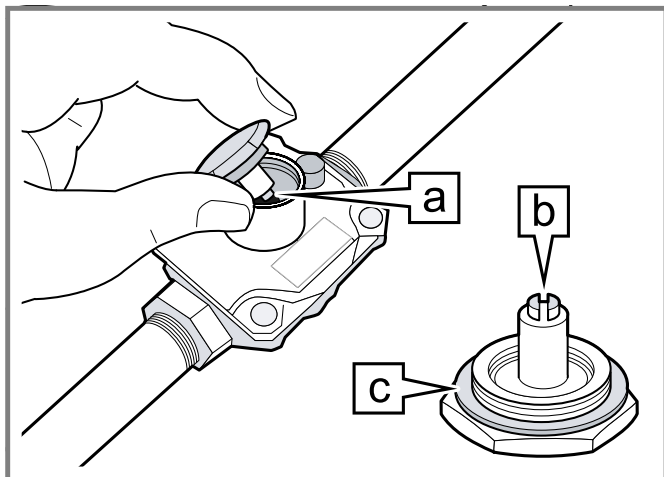
Desconectar el suministro eléctrico y de gas antes de llevar a cabo la conversión.

Requisito: Completar las instrucciones de montaje en este manual hasta la sección → *"Asegurar la parrilla a la superficie de trabajo", Página 45* incluida antes de comenzar la conversión a LP.

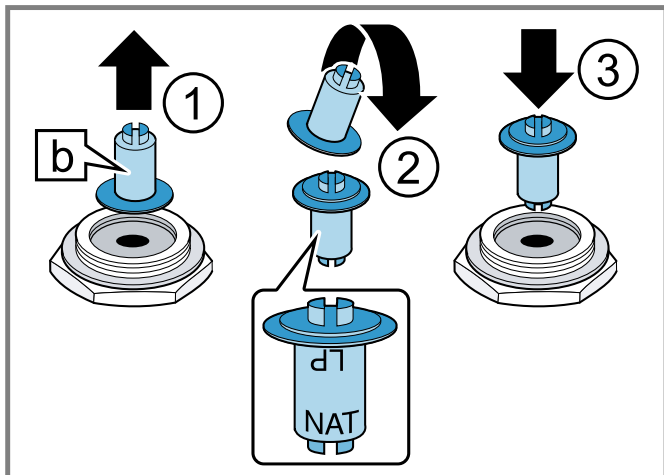
1. Localizar el regulador de presión en el extremo inferior derecho del aparato.



2. Retirar la tapa de conversión de forma hexagonal del regulador. Asegurarse de no quitar la junta **c** de la tapa ni el muelle **a** del interior del regulador.

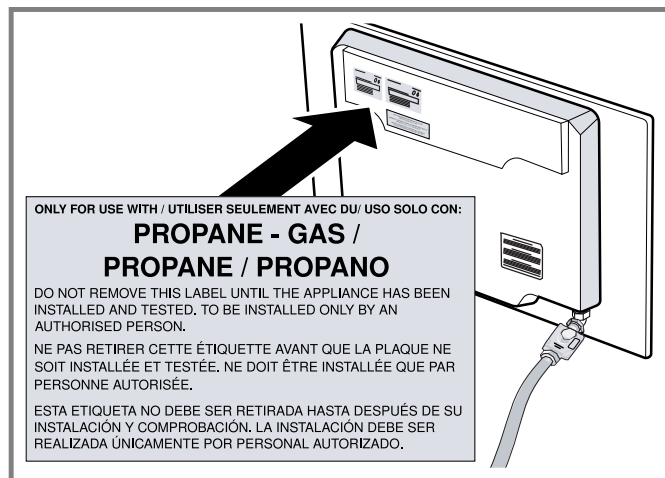


3. Agarrar firmemente el vástago de plástico de la esprea **b** y jalarlo con fuerza para separarlo de la tapa de conversión ①. El vástago está perfectamente encajado en una ranura de la tapa y puede necesitarse un fuerte jalón para extraerlo. Puede ser útil «balancear» suavemente el vástago de plástico mientras se jala para retirarlo de la tapa de metal.



4. Girar el vástago 180° ②.

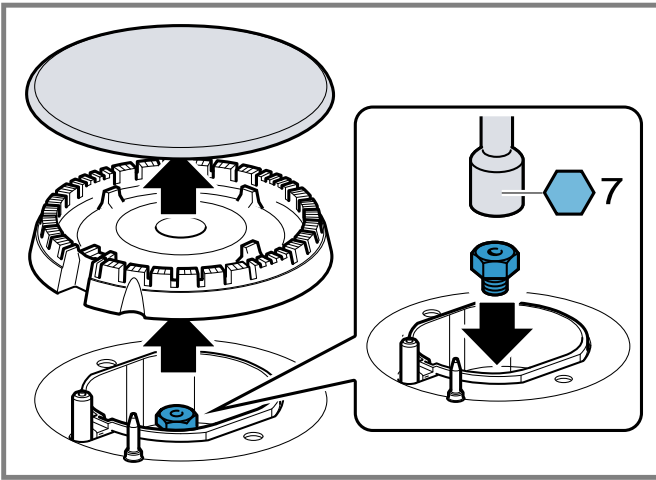
- ✓ Confirmar que el extremo del botón del vástago de la esprea esté alejado de la tapa de conversión.
 - ✓ Confirmar que las letras «LP» del vástago de la esprea queden al revés cuando la tapa de conversión se apoye sobre su cabeza.
5. Volver a introducir el vástago de la esprea en su sitio insertándolo en la ranura de la tapa de conversión ③.
 6. Insertar de nuevo la tapa hexagonal en el regulador y apretarla, no apretar demasiado.
 7. **IMPORTANTE:** Pegar la etiqueta adhesiva metálica que se incluye con el kit de conversión LP en la parte inferior del aparato, tal y como se muestra. Esta etiqueta adhesiva notifica que el aparato se ha convertido para su uso con gas LP. Se debe colocar junto a la placa de características del aparato.
→ "Ubicación de la placa de características del aparato", Página 53



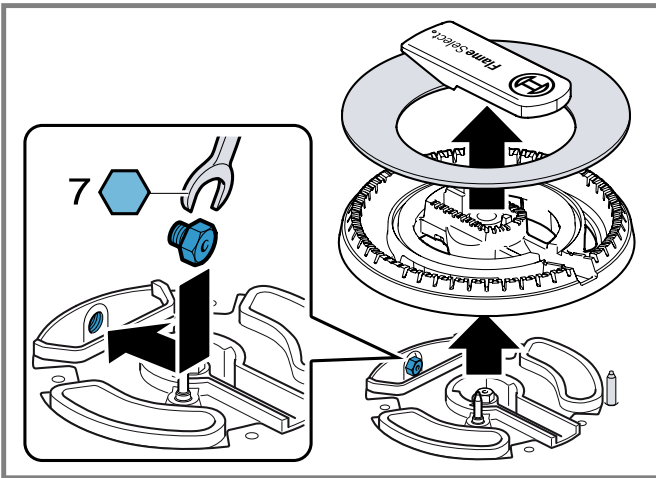
Nota: Si posteriormente se revierte el tipo de gas a gas natural, retirar la etiqueta adhesiva.

5.2 Sustituir las espreas

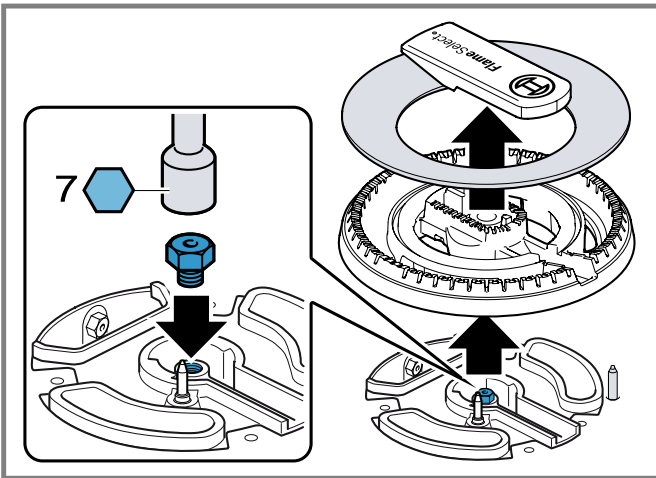
1. Retirar todas las rejillas, las tapas y las bases de los quemadores.
2. Retirar las espreas de gas natural y sustituirlas por espreas de LP utilizando una llave de vaso de 7 mm. Ver la tabla de quemadores → *Página 52*.
 - Para facilitar el montaje, usar un pequeño trozo de cinta e insertarlo en la llave de vaso para evitar que la esprea se caiga.
 - Es importante asegurarse de que las espreas no se suelten durante la extracción o la fijación. Tienen que estar apretadas correctamente para garantizar que no haya fugas.



Quemador normal con una esprea



Quemador de doble llama, primera esprea



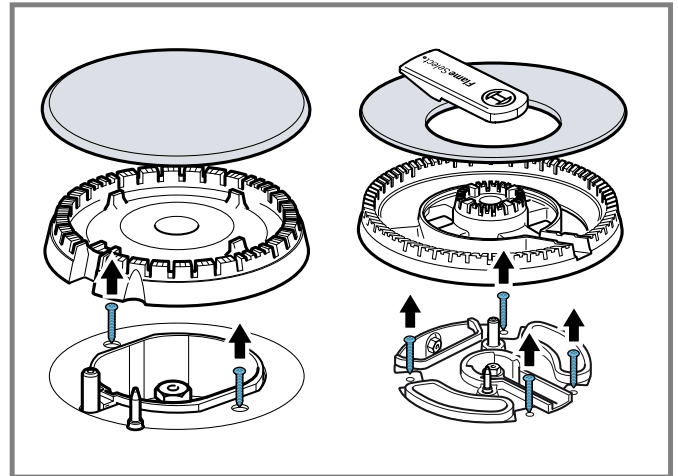
Quemador de doble llama, segunda esprea

3. Ajustar las espreas.
4. Guardar las espreas extraídas del aparato para uso futuro.

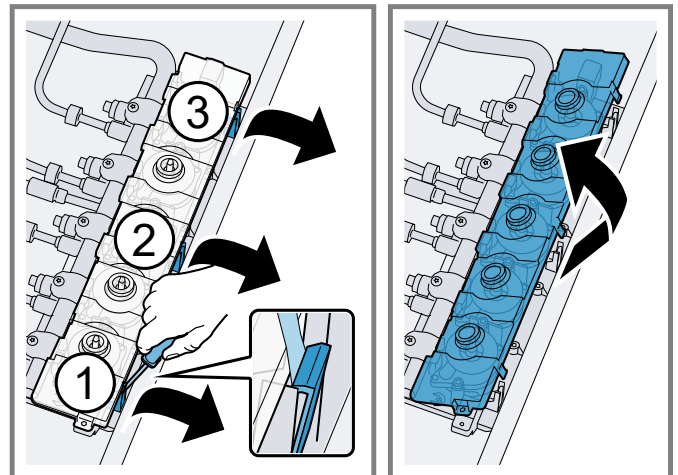
5.3 Ajustar las válvulas de gas

1. Ajustar las perillas de control a la posición off.
2. Extraer las perillas de control.

3. Retirar los tornillos de cada quemador y levantar la parte superior principal de la placa de cocción.

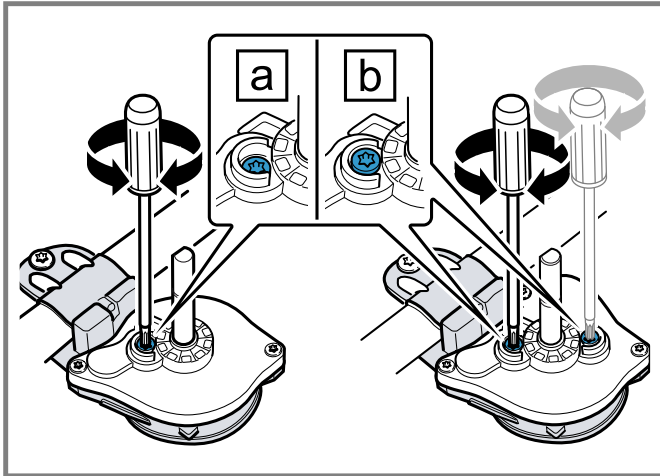


4. Retirar el conjunto electrónico del panel de control:
 - Con un desarmador plano hacer palanca con cuidado en las pestañas negras de la parte delantera para separarlas del panel una por una, mientras se levanta la cubierta transparente del conjunto electrónico para soltar las pestañas.
 - Cuando todas las pestañas estén desbloqueadas, se puede levantar el conjunto electrónico.



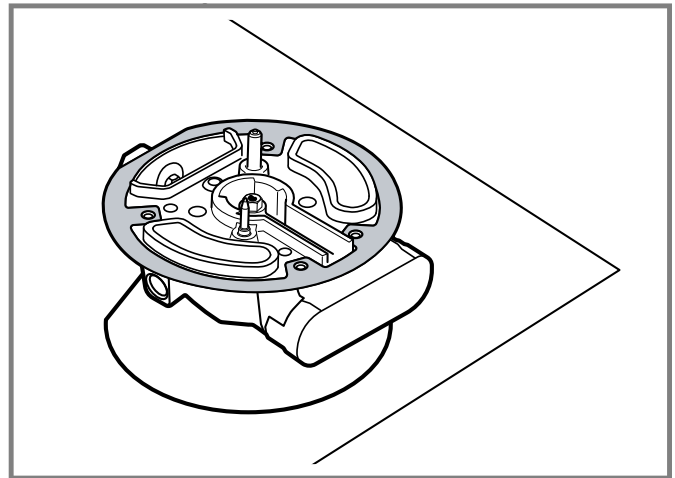
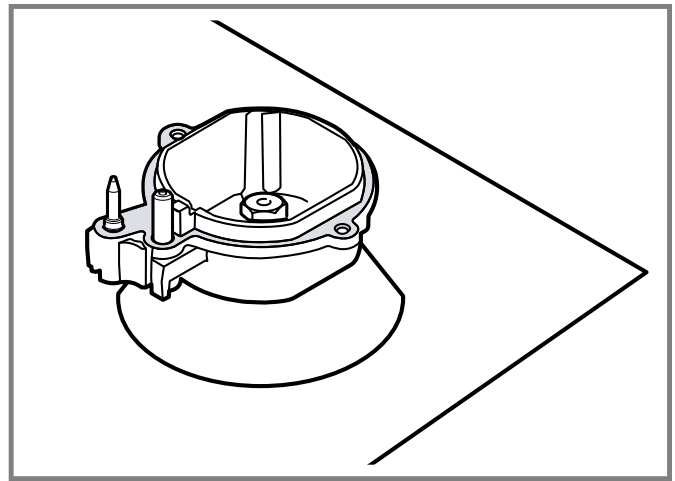
5. Retirar los discos negros de los vástagos de las válvulas. Asegurarse de que los resortes debajo de los discos negros no se salgan.

6. Ajustar el tornillo de ajuste negro de cabeza de estrella T10 con un desarmador Torx T10. Consultar el ajuste correcto de estos tornillos (M) en la tabla de los quemadores.
 - "Tabla de los quemadores", Página 52
 - Utilizar el ajuste **a** para gas LP. Estos tornillos de ajuste deben estar correctamente apretados.
 - Utilizar el ajuste **b** para gas natural. Los tornillos de ajuste deben quedar a ras del casquillo.



El quemador de doble llama tiene dos tornillos de ajuste.

7. Sustituir los discos negros.
8. Colocar de nuevo el conjunto electrónico aplicando una ligera presión para que las pestañas encajen. Asegurarse de no pellizcar ningún cable de conexión.
9. Asegurarse de que las juntas alrededor de las bases de los quemadores estén en su lugar.



10. Reinstalar la parte superior principal y las perillas de control.
11. Sustituir todas las bases, tapas y rejillas de los quemadores.
12. Continuar con el proceso de montaje desde → "Descripción general de la conexión", Página 46
13. Cuando se haya completado el montaje, comprobar que el aparato funcione correctamente. → "Comprobar la instalación", Página 49.

Nota: Si se daña, la válvula debe sustituirse completamente.

5.4 Tabla de los quemadores

Consultar en esta tabla las especificaciones de cada quemador.

Tapa del quemador	Tipo de gas	Presión en pulgadas de columna de agua	Esprea	BTU/h	kW	M (ajuste de tornillo para el ajuste de la válvula)
Quemador pequeño	Gas natural	6	77	3,400	1.00	b
	Gas propano	10	54	3,400	1.00	a
Quemador grande	Gas natural	6	133	10,300	3.00	b
	Gas propano	10	93	10,300	3.00	a
Quemador mediano	Gas natural	6	102	6,000	1.75	b
	Gas propano	10	71	6,000	1.75	a

Tapa del quemador	Tipo de gas	Presión en pulgadas de columna de agua	Esprea	BTU/h	kW	M (ajuste de tornillo para el ajuste de la válvula)
Quemador de doble llama	Gas natural	6	GN:	18,000	5.30	b
	Gas propano	10	<ul style="list-style-type: none"> ■ exterior: 170 ■ interior: 55 GP: <ul style="list-style-type: none"> ■ exterior: 95 ■ interior: 39 	11,100	3.30	a

6 Servicio de atención al cliente

Si tiene preguntas relativas al funcionamiento, si no puede subsanar una avería o si el aparato debe ser reparado, diríjase a nuestro servicio de atención al cliente.

En cada reparación cubierta por la garantía, nos aseguramos de que su aparato sea reparado con repuestos originales por un proveedor de servicio capacitado y autorizado. Solo utilizamos repuestos originales para todos los tipos de reparaciones.

Las informaciones detalladas sobre el periodo de validez de la garantía y las condiciones de garantía las podrá encontrar en nuestras condiciones de garantía, con su distribuido o en nuestra página web.

Cuando se ponga en contacto con el servicio de atención al cliente, no olvide indicar el número de modelo (E-Nr.) y el número de fabricación (FD) de su aparato.

USA:

1-800-944-2904

www.bosch-home.com/us/owner-support/get-support

www.bosch-home.com/us/shop

CA:

1-800-944-2904

www.bosch-home.ca/en/service/get-support

www.bosch-home.ca/en/service/cleaners-and-accessories

6.1 Número de modelo (E-Nr.) y número de fabricación (FD)

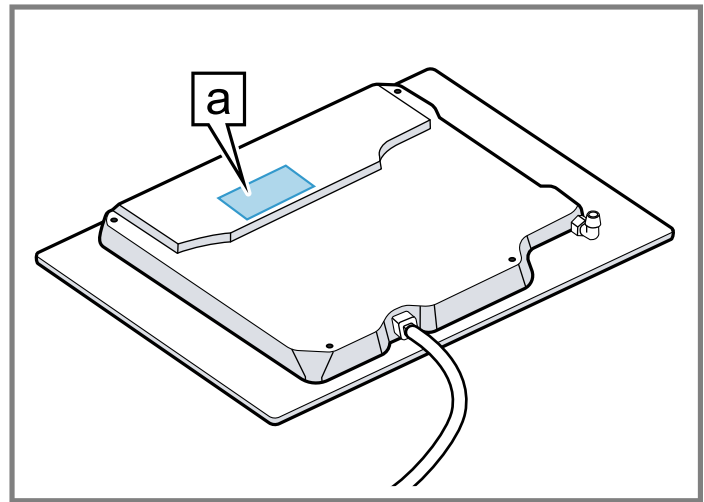
El número de modelo (E-Nr.) y el número de fabricación (FD) se encuentran en la placa de características del aparato.

Para volver a encontrar rápidamente los datos del aparato o el número de teléfono del servicio de atención al cliente, puede anotar dichos datos.

6.2 Ubicación de la placa de características del aparato

La placa de características del aparato se encuentra:

- En el certificado del aparato.
- En la parte inferior del aparato.



a Placa de características



Thank you for buying a Bosch Home Appliance!

Register your new device on MyBosch now and profit directly from:

- **Expert tips & tricks for your appliance**
- **Warranty extension options**
- **Discounts for accessories & spare-parts**
- **Digital manual and all appliance data at hand**
- **Easy access to Bosch Home Appliances Service**

Free and easy registration – also on mobile phones:
www.bosch-home.com/welcome

BOSCH
HOME APPLIANCES
SERVICE

Looking for help? You'll find it here.

Expert advice for your Bosch home appliances, help with problems or a repair from Bosch experts.

Find out everything about the many ways Bosch can support you:

www.bosch-home.com/service

Contact data of all countries are listed in the attached service directory.

BSH Home Appliances Corporation

1901 Main Street, Suite 600

Irvine, CA 92614

USA

www.bosch-home.com

1-800-944-2904

© 2021 BSH Home Appliances Corporation



8001215977 (020405)

en-us, fr-ca, es-mx