

Ventilation

Removes smoke and odor. Adds exceptional style.





Bosch's super-efficient, highly effective ventilation products complete any Bosch kitchen package. Capable of up to 600 CFM, they quickly remove steam, odors, grease and smoke without adding distracting noise.

The perfect solution for high ceilings, islands, or simply for space considerations, our downdraft rises from behind your cooktop instead of above. For energy-conscious homes, our ENERGY STAR® hood saves electricity and operates extra quietly.

Almost all Bosch ventilation products, including downdraft models, offer the flexibility of recirculation.

Benchmark™ Ventilation

A breath of fresh air.

Premium Hood Options

Benchmark™ kitchen hoods include inventive pull-out hoods, sleek island hoods, and sophisticated glass canopy hoods. No matter your configuration, Bosch has an elegant solution.

Sleek European Design

Bosch stainless steel hoods integrate matching user interfaces and design aesthetics to complete the Bosch kitchen suite, offering a distinctive European look.



Powerful Solutions to Every Bosch Cooktop or Range

With up to 600 CFM of power available in wall and island designs, Benchmark™ hoods meet the ventilation requirements of any Bosch cooktop or range and are available with recirculation kits. These highly effective vents quickly clear the air of grease, steam, smoke and odor without adding distracting noise.



Make Your Hood Disappear

With the Benchmark™ Series Pull-Out Hood, close the hood when not in use. This inventive hood installs flush with cabinetry for a sleek, integrated look.




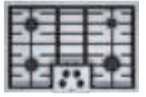




Ventilation Selection Guide

✓ = Design Match

✓ = Viable Option

Cooktops			
			
36-Inch Electric & Induction	30-Inch Electric & Induction	36-Inch Gas	30-Inch Gas

Chimney Wall Hoods



30-Inch HCP30E51UC		✓		✓
30-Inch HCP30E51UC		✓		✓
36-Inch HCP36E51UC	✓	✓	✓	✓
30-Inch HCB50E51UC		✓		✓
36-Inch HCB56E51UC	✓	✓	✓	✓
36-Inch HCG56E51UC	✓	✓	✓	✓

Under-Cabinet Range Hoods



30-Inch DUH30I52UC		✓		✓
36-Inch DUH36I52UC	✓	✓	✓	✓
30-Inch DUH30I52UC		✓		✓
36-Inch DUH36I52UC	✓	✓	✓	✓
30-Inch DPH30I52UC		✓		✓
36-Inch DPH36I52UC	✓	✓	✓	✓

Island Hood



42-Inch HIB82E51UC	✓	✓	✓	✓
--------------------	---	---	---	---

Custom Insert Hoods



29-Inch DHL75E51UC		✓		✓
--------------------	--	---	--	---

Downdrafts



30-Inch DHD30I4UC		✓		✓
36-Inch DHD36I4UC	✓	✓	✓	✓

Ventilation Selection Guide

Slide-In Ranges				Freestanding Ranges	
					
Dual Fuel	Electric	Induction	Gas	Electric	Gas
✓	✓	✓	✓	✓	✓
✓	✓	✓	✓	✓	✓
✓	✓	✓	✓	✓	✓
✓	✓	✓	✓	✓	✓
✓	✓	✓	✓	✓	✓
✓	✓	✓	✓	✓	✓
✓	✓	✓	✓	✓	✓
✓	✓	✓	✓	✓	✓
✓	✓	✓	✓	✓	✓
✓	✓	✓	✓	✓	✓
✓	✓	✓	✓	✓	✓
✓	✓	✓	✓	✓	✓
✓	✓	✓	✓	✓	✓
✓	✓	✓	✓	✓	✓
✓	✓	✓	✓	✓	✓
✓	✓	✓	✓	✓	✓
✓	✓	✓	✓	✓	✓
✓	✓	✓	✓	✓	✓
✓	✓	✓	✓	✓	✓

Benchmark™ Chimney Wall Hood and Island Hood



36" Benchmark™ Glass Canopy Chimney Hood HCG56651UC

- 600 CFM
- 2 Halogen Lights
- Stainless Steel Filters with Metal Latch
- 9 ft.–12 ft. Duct Cover Extension Accessory



42" Benchmark™ Box Canopy Island Hood HIB82651UC

- 600 CFM
- 4 Halogen Lights
- Stainless Steel Filters with Metal Latch
- 9 ft.–12 ft. Duct Cover Extension Accessory

	36" Glass Canopy Chimney Hood	42" Box Canopy Island Hood
	Stainless Steel – HCG56651UC	Stainless Steel – HIB82651UC
General Properties		
Operating mode	Convertible: ducted / recirculating	Convertible: ducted / recirculating
Maximum CFM	600 CFM	600 CFM
Number of speed settings	4-stage	4-stage
Motor location	Integrated motor in hood chimney	Integrated motor in hood chimney
Number of lights	2	4
Bulb type	Halogen	Halogen
Total power of the lamps (W)	80 W	80 W
Damper included	Yes	Yes
Grease filter material	Washable stainless steel	Washable stainless steel
Grease filter type	Multilayer cassette	Multilayer cassette
Technical Details		
Volts (V)	120 V	120 V
Frequency (Hz)	60 Hz	60 Hz
Plug type	No plug	No plug
Dimensions & Weight		
Overall appliance dimensions (width of canopy included) (HxWxD) (in.)	27 7/16" x 42 3/8" / 27 7/16" x 46 5/16" / 35 7/8" x 19 11/16"	29 13/16" – 45 5/16" / 29 13/16" – 50 5/16" x 42 1/16" x 27"
Height of the chimney (in.)	25 7/8" x 40 13/16" / 25 7/8" x 44 3/4"	27 7/16" – 42 7/8" / 27 7/16" – 47 7/8"
Required distance above cooktop / range cooking surface	24" Electric / 30" Gas	24" Electric / 30" Gas
Diameter of air duct (in.) top	8"	8"
Net weight (lbs)	54 lbs	110 lbs

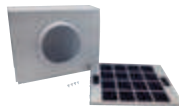
Optional Accessories



HCGEXT5UC
Chimney extension for 9-12 ft. ceilings for use with HCG56651UC



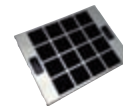
HCIEXT5UC
Chimney extension for 9-12 ft. ceilings for use with HIB82651UC



HCREC5UC
Recirculation kit for HCG56651UC



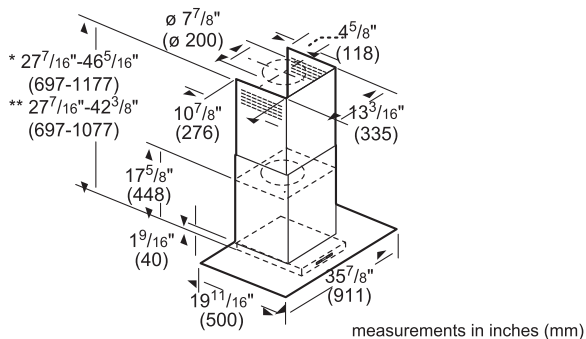
HIREC5UC
Recirculation kit for HIB82651UC



HCIFILTUC
Filter kit

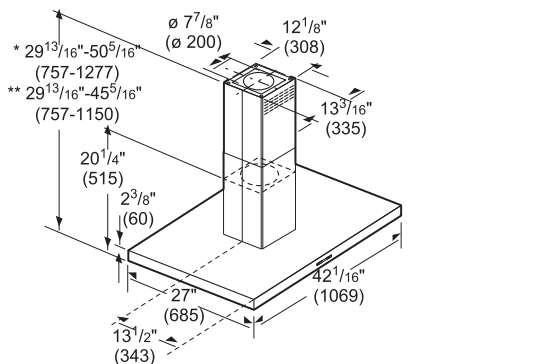
Benchmark™ Chimney Wall Hood and Island Hood

36" Glass Canopy Chimney Hood

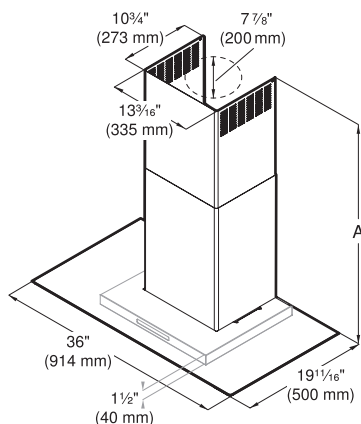


* Recirculating installation Installation height above cooking surface:
 ** Ducted installation 24"-34" (610 mm-864 mm) to Electric
 27"-34" (686 mm-864 mm) to Gas.

42" Box Canopy Island Hoods

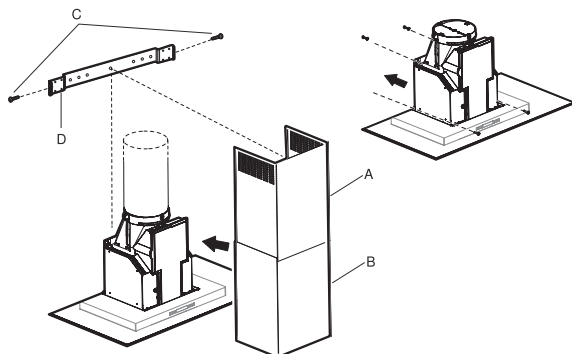
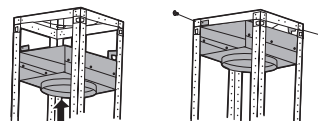
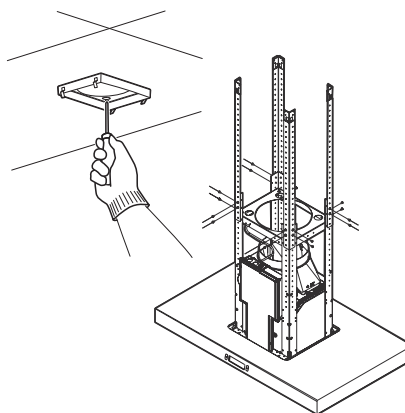


* Recirculating installation measurements in inches (mm)
 ** Ducted installation



A Ducted operation:
 Min. / Max. $27\frac{7}{16}"$ (697 mm) / $42\frac{3}{8}"$ (1076 mm)
 Recirculation mode:
 Min. / Max. $27\frac{7}{16}"$ (697 mm) / $46\frac{5}{16}"$ (1176 mm)

measurements in inches (mm)



A	Upper flue duct
B	Lower flue duct
C	Screws
D	Angle bracket

Benchmark™ Pull-Out Hood



**24" Benchmark™
Pull-Out Hood
HUI54451UC**

- 400 CFM
- Electronic Control
- 2 Halogen Lights
- Recirculation

24"
Stainless Steel – HUI54451UC

General Properties	
Operating mode	Convertible: ducted / recirculating
Maximum CFM	400 CFM
Number of speed settings	4-stage
Motor location	Integrated motor in hood body
Number of lights	2
Bulb type	Halogen
Total power of the lamps (W)	40 W
Damper included	Yes
Grease filter material	Aluminum
Grease filter type	Multilayer cassette
Technical Details	
Volts (V)	120 V
Frequency (Hz)	60 Hz
Plug type	120V-3 Prong
Power cord length (in.)	45 1/2"
Dimensions & Weight	
Overall appliance dimensions (width of canopy included) (HxWxD) (in.)	11 13/16" x 23 9/16" x 11 13/16"
Required distance above cooktop / range cooking surface	24" Electric / 30" Gas
Diameter of air duct (in.) top	6"
Net weight (lbs)	24 lbs

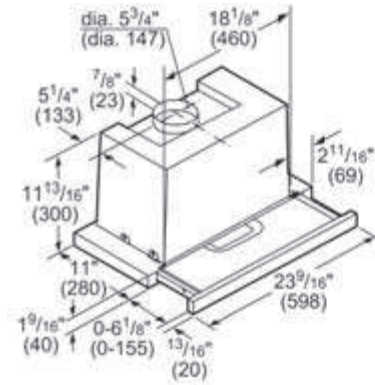
Optional Accessories



HVREC5UC
Recirculation kit

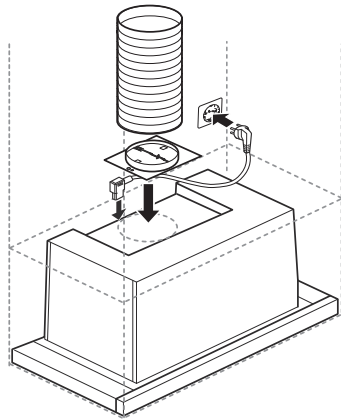
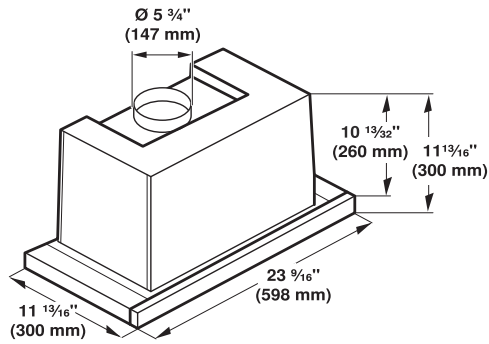
Benchmark™ Pull-Out Hood

24" Pull-Out Hood



Installation height above cooking surface:
 24"-34" (610-864) to Electric
 29 $\frac{1}{2}$ "-34" (750-864) to Gas.

Measurements in inches (mm)



300 / 500 Series 30" Chimney Wall Hoods



**30" 300 Series
Pyramid Canopy Chimney Hood
HCP30E51UC**

- 300 CFM
- ENERGY STAR® Qualified
- 1 Fluorescent Light
- Aluminum Mesh Filters
- 9 ft.–12 ft. Duct Cover Extension Accessory



**30" 300 Series
Pyramid Canopy Chimney Hood
HCP30651UC**

- + 600 CFM
- + 2 Halogen Lights
- Aluminum Mesh Filters
- 9 ft.–12 ft. Duct Cover Extension Accessory



**30" 500 Series
Box Canopy Chimney Hood
HCB50651UC**

- 600 CFM
- 2 Halogen Lights
- + Stainless Steel Filters with Metal Latch
- 9 ft.–12 ft. Duct Cover Extension Accessory

+ Indicates a step-up feature

30" Pyramid Canopy 300 Series	30" Pyramid Canopy 300 Series	30" Box Canopy 500 Series
Stainless Steel – HCP30E51UC	Stainless Steel – HCP30651UC	Stainless Steel – HCB50651UC

General Properties			
Operating mode	Convertible: ducted / recirculating	Convertible: ducted / recirculating	Convertible: ducted / recirculating
Maximum CFM	300 CFM	600 CFM	600 CFM
Number of speed settings	3-stage	4-stage	4-stage
Motor location	Integrated motor in hood chimney	Integrated motor in hood chimney	Integrated motor in hood chimney
Number of lights	1	2	2
Bulb type	Fluorescent	Halogen	Halogen
Total power of the lamps (W)	13 W	80 W	80 W
Damper included	Yes	Yes	Yes
Grease filter material	Aluminum	Aluminum	Washable stainless steel
Grease filter type	Multilayer cassette	Multilayer cassette	Multilayer cassette
Technical Details			
Volts (V)	120 V	120 V	120 V
Frequency (Hz)	60 Hz	60 Hz	60 Hz
Plug type	No plug	No plug	No plug
Dimensions & Weight			
Overall appliance dimensions (width of canopy included) (HxWxD) (in.)	24 9/16" – 38 7/8" / 28 1/4" – 42 9/16" x 30" x 19 11/16"	24 9/16" – 38 7/8" / 28 1/4" – 42 9/16" x 30" x 19 11/16"	27 1/16" x 42 1/8" / 27 1/16" x 45 13/16" / 30" x 19 11/16"
Height of the chimney (in.)	19 9/16" – 33 7/8" / 23 1/4" – 42 9/16"	19 9/16" – 33 7/8" / 23 1/4" – 42 9/16"	25 1/2" x 40 9/16" / 25 1/2" x 44 1/4"
Required distance above cooktop / range cooking surface	24" Electric / 30" Gas	24" Electric / 30" Gas	24" Electric / 30" Gas
Diameter of air duct (in.) top	8"	8"	8"
Net weight (lbs)	49 lbs	49 lbs	54 lbs

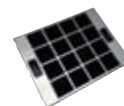
Optional Accessories



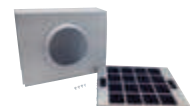
HCPEXT5UC
Chimney extension for 9-12 ft. ceilings for use with HCP30E51UC and HCP30651UC



HCBEXT5UC
Chimney extension for 9-12 ft. ceilings for use with HCB50651UC



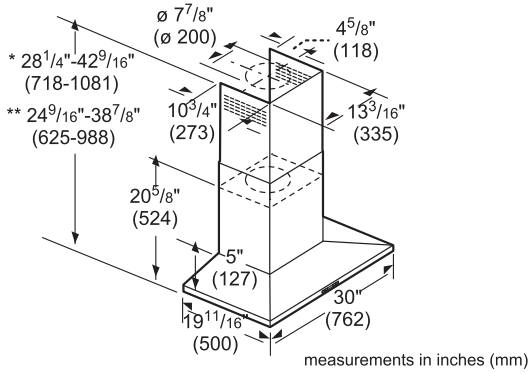
HCIFILTUC
Filter kit



HCREC5UC
Recirculation kit

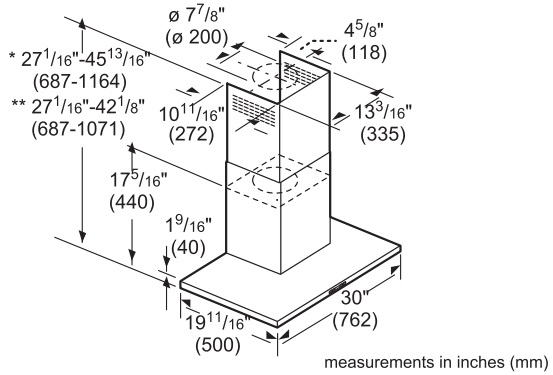
300 / 500 Series 30" Chimney Wall Hoods

30" Pyramid Canopy Chimney Hoods

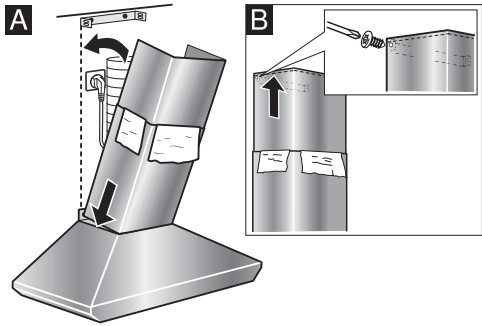


* Recirculating installation Installation height above cooking surface: 24"-34" (610 mm-864 mm) to Electric
 ** Ducted installation 27"-34" (686 mm-864 mm) to Gas

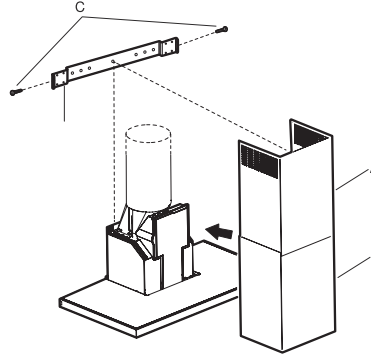
30" Box Canopy Chimney Hoods



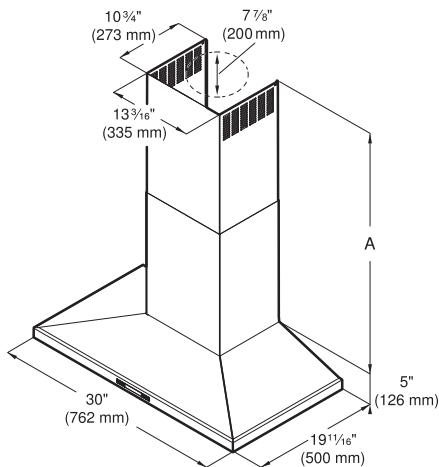
* Recirculating installation Installation height above cooking surface: 24"-34" (610 mm-864 mm) to Electric
 ** Ducted installation 27"-34" (686 mm-864 mm) to Gas



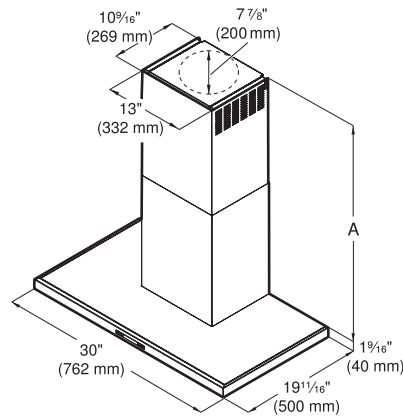
A Lower flue duct
 B Upper flue duct



A Upper flue duct
 B Lower flue duct
 C Screws
 D Angle bracket



A Ducted operation:
 Min. / Max. 24 9/16" (624 mm) / 38 7/8" (985 mm)
 Recirculation mode:
 Min. / Max. 28 1/4" (716 mm) / 42 9/16" (1081 mm)
 measurements in inches (mm)



A Ducted operation:
 Min. / Max. 27 1/16" (687 mm) / 42 1/8" (1070 mm)
 Recirculation mode:
 Min. / Max. 27 1/16" (687 mm) / 45 13/16" (1164 mm)
 measurements in inches (mm)

300 / 500 Series 36" Chimney Wall Hoods



**36" 300 Series
Pyramid Canopy Chimney Hood
HCP36651UC**

- 600 CFM
- 2 Halogen Lights
- Stainless Steel Filters with Metal Latch
- 9 ft.–12 ft. Duct Cover Extension Accessory



**36" 500 Series
Box Canopy Chimney Hood
HCB56651UC**

- 600 CFM
- 2 Halogen Lights
- Stainless Steel Filters with Metal Latch
- 9 ft.–12 ft. Duct Cover Extension Accessory

	36" Pyramid Canopy 300 Series	36" Box Canopy 500 Series
	Stainless Steel – HCP36651UC	Stainless Steel – HCB56651UC
General Properties		
Operating mode	Convertible: ducted / recirculating	Convertible: ducted / recirculating
Maximum CFM	600 CFM	600 CFM
Number of speed settings	4-stage	4-stage
Motor location	Integrated motor in hood chimney	Integrated motor in hood chimney
Number of lights	2	2
Bulb type	Halogen	Halogen
Total power of the lamps (W)	80 W	80 W
Damper included	Yes	Yes
Grease filter material	Aluminum	Washable stainless steel
Grease filter type	Multilayer cassette	Multilayer cassette
Technical Details		
Volts (V)	120 V	120 V
Frequency (Hz)	60 Hz	60 Hz
Plug type	No plug	No plug
Dimensions & Weight		
Overall appliance dimensions (width of canopy included) (HxWxD) (in.)	24 9/16" – 38 7/8" / 28 1/4" – 42 9/16" x 36" x 19 11/16"	27 1/16" x 42 1/8" / 27 1/16" x 45 13/16" / 36" x 19 11/16"
Height of the chimney (in.)	19 9/16" – 33 7/8" / 23 1/4" – 42 9/16"	25 1/2" x 40 9/16" / 25 1/2" x 44 1/4"
Required distance above cooktop / range cooking surface	24" Electric / 30" Gas	24" Electric / 30" Gas
Diameter of air duct (in.) top	8"	8"
Net weight (lbs)	53 lbs	54 lbs

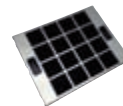
Optional Accessories



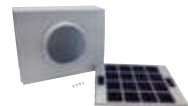
HCPEXT5UC
Chimney extension for 9-12 ft. ceilings for use with HCP36651UC



HCBEXT5UC
Chimney extension for 9-12 ft. ceilings for use with HCB56651UC



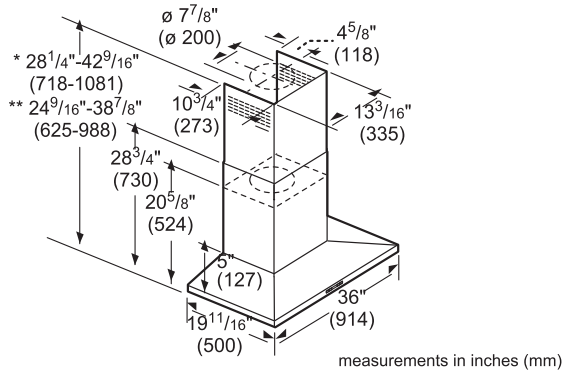
HCIFILTUC
Filter kit



HCREC5UC
Recirculation kit

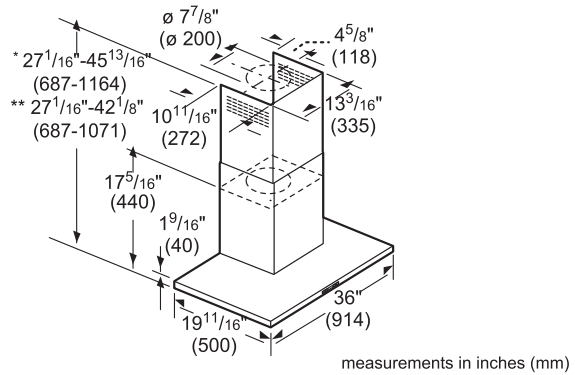
300 / 500 Series 36" Chimney Wall Hoods

36" Pyramid Canopy Chimney Hoods

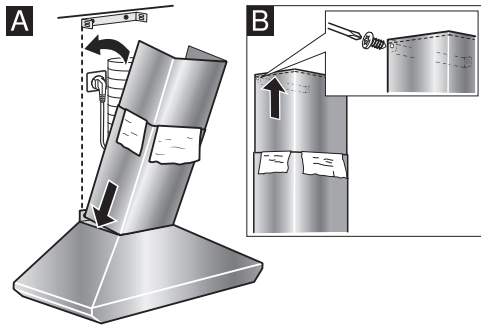


* Recirculating installation Installation height above cooking surface: 24"-34" (610 mm-864 mm) to Electric
 ** Ducted installation Installation height above cooking surface: 27"-34" (686 mm-864 mm) to Gas

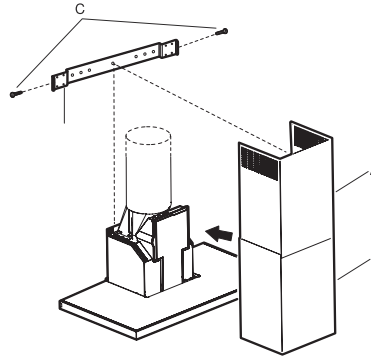
36" Box Canopy Chimney Hoods



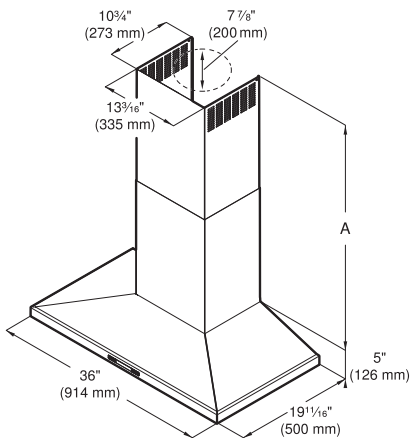
* Recirculating installation Installation height above cooking surface: 24"-34" (610 mm-864 mm) to Electric
 ** Ducted installation Installation height above cooking surface: 27"-34" (686 mm-864 mm) to Gas



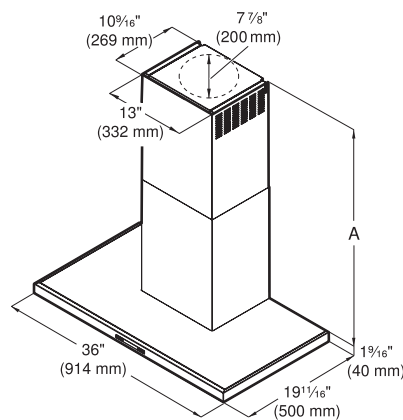
A Lower flue duct
 B Upper flue duct



A Upper flue duct
 B Lower flue duct
 C Screws
 D Angle bracket



A Ducted operation:
 Min. / Max. 24 9/16" (624 mm) / 38 7/8" (985 mm)
 Recirculation mode:
 Min. / Max. 28 1/4" (716 mm) / 42 9/16" (1081 mm)
 measurements in inches (mm)



A Ducted operation:
 Min. / Max. 27 1/16" (687 mm) / 42 1/8" (1070 mm)
 Recirculation mode:
 Min. / Max. 27 1/16" (687 mm) / 45 13/16" (1164 mm)
 measurements in inches (mm)

300 / 500 / 800 Series 30" Under-Cabinet Wall Hoods



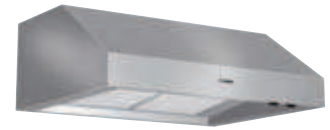
**30" 300 Series
Under-Cabinet Wall Hood
DUH30152UC**

- 280 CFM
- Incandescent Lights
- Aluminum Mesh Filters
- Three Power Levels



**30" 500 Series
Under-Cabinet Wall Hood
DUH30252UC**

- + 400 CFM
- + Halogen Lights (not included)
- Aluminum Mesh Filters
- + Four Power Levels



**30" 800 Series
Under-Cabinet Wall Hood
DPH30652UC**

- + 600 CFM
- Incandescent Lights
- Aluminum Mesh Filters
- + Professional Design

+ Indicates a step-up feature

	300 Series	500 Series	800 Series
	Stainless Steel – DUH30152UC	Stainless Steel – DUH30252UC	Stainless Steel – DPH30652UC
General Properties			
Operating mode	Convertible: ducted / recirculating	Convertible: ducted / recirculating	Convertible: ducted / recirculating
Maximum CFM	280 CFM	400 CFM	600 CFM
Number of speed settings	3-stage	4-stage	2-stage
Motor location	Integrated motor in hood body	Integrated motor in hood body	Integrated motor in hood body
Number of lights	2	2 (Not Included)	2
Bulb type	Incandescent	Halogen	Incandescent
Total power of the lamps (W)	80 W	100 W	80 W
Damper included	Yes	Yes	Yes
Grease filter material	Aluminum	Aluminum	Aluminum
Grease filter type	Multilayer cassette	Multilayer cassette	Multilayer cassette
Technical Details			
Watts (W)	N/A	N/A	142 W
Volts (V)	120 V	120 V	120 V
Frequency (Hz)	60 Hz	60 Hz	60 Hz
Plug type	No plug	No plug	No plug
Dimensions & Weight			
Overall appliance dimensions (width of canopy included) (HxWxD) (in.)	5" x 30" x 20"	5" x 30" x 20"	11" x 30" x 23"
Required distance above cooktop / range cooking surface	30" Electric / 30" Gas	30" Electric / 30" Gas	30" Electric / 30" Gas
Diameter of air duct (in.) top	7"	7"	8"
Diameter of air duct (in.) back	3 1/4" x 10" Rectangular	3 1/4" x 10" Rectangular	8"
Net weight (lbs)	42 lbs	42 lbs	34 lbs

Optional Accessories for 300 and 500 Series Under-Cabinet Hoods

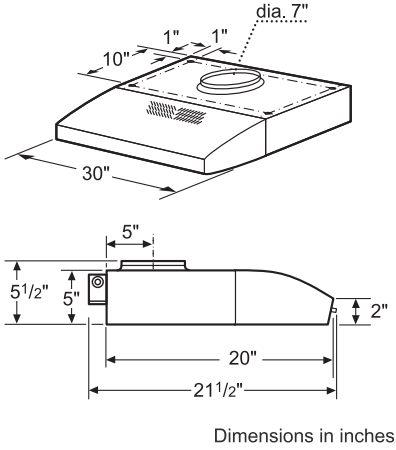
DHZ3002UC
Replacement charcoal filter

Optional Accessories for 800 Series Under-Cabinet Hood

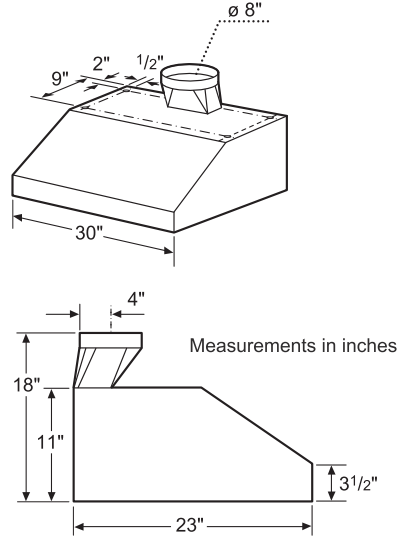
DHZ3052UC DRZ3052UC
Replacement charcoal filter Recirculation kit

300 / 500 / 800 Series 30" Under-Cabinet Wall Hoods

300 / 500 Series 30" Under-Cabinet Hoods Dimensions



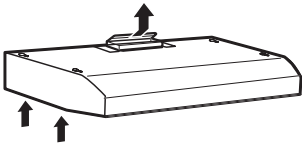
800 Series 30" Under-Cabinet Hoods Dimensions



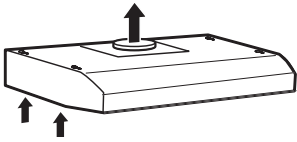
300 / 500 Series 30" Under-Cabinet Hoods Venting

Vertical discharge:

Use a rectangular duct 3 1/4" x 10".....

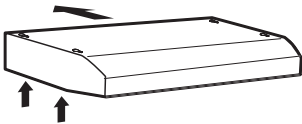


....or use a round 7" duct

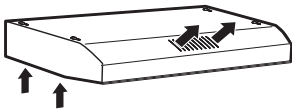


Horizontal discharge:

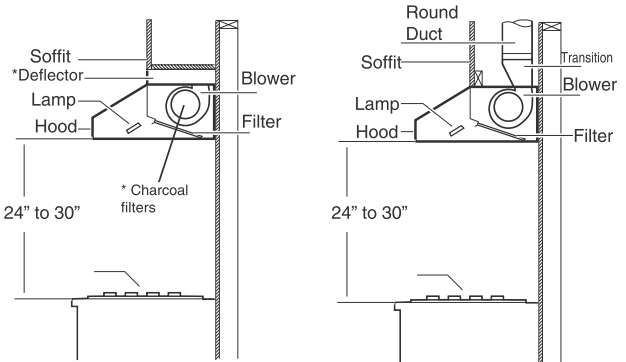
Use a rectangular duct 3 1/4" x 10"



Recirculating (non vented ductless)



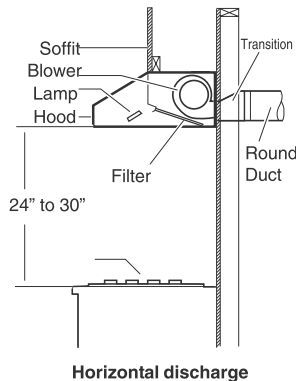
800 Series 30" Under-Cabinet Hoods Venting



Recirculating

* Optional accessory - Ductless recirculation kit

Vertical discharge



Horizontal discharge

300 / 500 / 800 Series 36" Under-Cabinet Wall Hoods



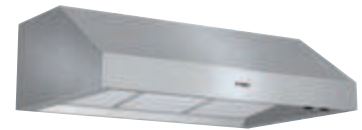
36" 300 Series
Under-Cabinet Wall Hood
DUH36152UC

- 280 CFM
- Incandescent Lights (not included)
- Aluminum Mesh Filters
- Three Power Levels



36" 500 Series
Under-Cabinet Wall Hood
DUH36252UC

- + 400 CFM
- + Halogen Lights (not included)
- Aluminum Mesh Filters
- + Four Power Levels



36" 800 Series
Under-Cabinet Wall Hood
DPH36652UC

- + 600 CFM
- Incandescent Lights
- Aluminum Mesh Filters
- + Professional Design

+ Indicates a step-up feature

	300 Series	500 Series	800 Series
	Stainless Steel – DUH36152UC	Stainless Steel – DUH36252UC	Stainless Steel – DPH36652UC
General Properties			
Operating mode	Convertible: ducted / recirculating	Convertible: ducted / recirculating	Convertible: ducted / recirculating
Maximum CFM	280 CFM	400 CFM	600 CFM
Number of speed settings	3-stage	4-stage	2-stage
Motor location	Integrated motor in hood body	Integrated motor in hood body	Integrated motor in hood body
Number of lights	2	2 (Not Included)	2
Bulb type	Incandescent	Halogen	Incandescent
Total power of the lamps (W)	80 W	100 W	80 W
Damper included	Yes	Yes	Yes
Grease filter material	Aluminum	Aluminum	Aluminum
Grease filter type	Multilayer cassette	Multilayer cassette	Multilayer cassette
Technical Details			
Watts (W)	N/A	N/A	253 W
Volts (V)	120 V	120 V	120 V
Frequency (Hz)	60 Hz	60 Hz	60 Hz
Plug type	No plug	No plug	No plug
Dimensions & Weight			
Overall appliance dimensions (width of canopy included) (HxWxD) (in.)	5" x 36" x 20"	5" x 36" x 20"	11" x 36" x 23"
Required distance above cooktop / range cooking surface	30" Electric / 30" Gas	30" Electric / 30" Gas	30" Electric / 30" Gas
Diameter of air duct (in.) top	7"	7"	8"
Diameter of air duct (in.) back	3 1/4" x 10" Rectangular	3 1/4" x 10" Rectangular	8"
Net weight (lbs)	41 lbs	41 lbs	34 lbs

Optional Accessories for 300 and 500 Series Under-Cabinet Hoods

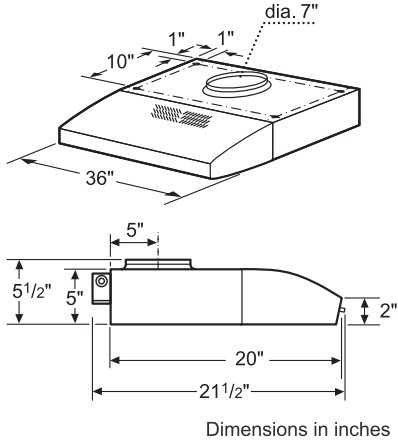
DHZ3602UC
Replacement charcoal filter

Optional Accessories for 800 Series Under-Cabinet Hood

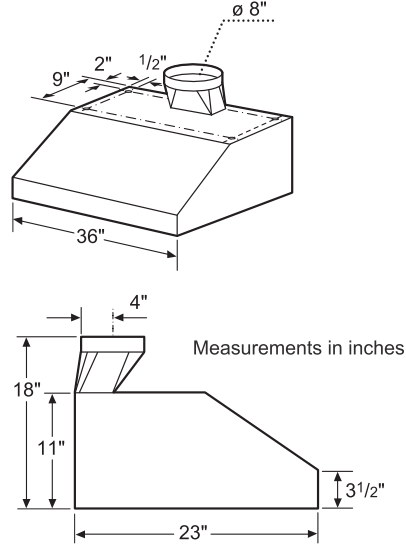
DHZ3052UC DRZ3652UC
Replacement charcoal filter Recirculation kit

300 / 500 / 800 Series 36" Under-Cabinet Wall Hoods

300 / 500 Series 36" Under-Cabinet Hoods Dimensions

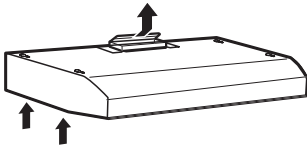


800 Series 36" Under-Cabinet Hoods Dimensions

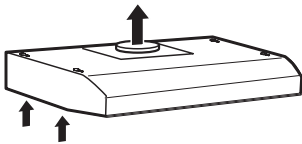


300 / 500 Series 36" Under-Cabinet Hoods Venting

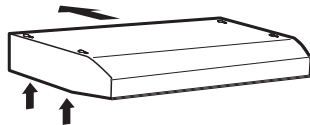
Vertical discharge:
Use a rectangular duct 3 1/4" x 10".....



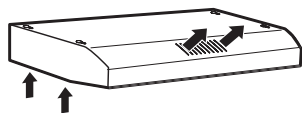
....or use a round 7" duct



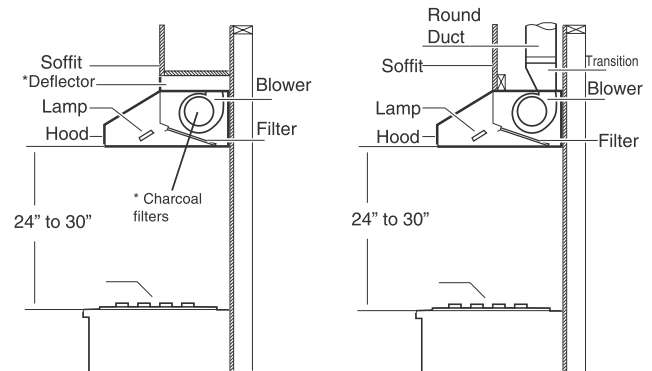
Horizontal discharge:
Use a rectangular duct 3 1/4" x 10"



Recirculating (non vented ductless)

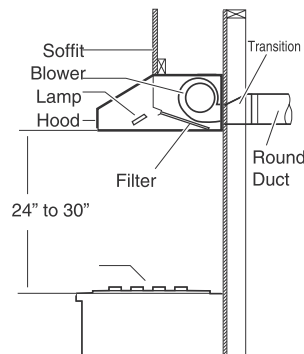


800 Series 36" Under-Cabinet Hoods Venting



Recirculating
* Optional accessory - Ductless recirculation kit

Vertical discharge



Horizontal discharge

800 Series Downdraft Hoods



30" – DHD3014UC



36" – DHD3614UC

800 Series Downdraft Hoods

- 13" Telescopic Chimney
- 600 CFM Blower Options (sold separately)
- Stainless Steel Filters with Metal Latch
- Three Power Levels
- Recirculation Option (sold separately)

	30"	36"
	Stainless Steel – DHD3014UC	Stainless Steel – DHD3614UC
General Properties		
Operating mode	Convertible: ducted / recirculating	Convertible: ducted / recirculating
Maximum CFM	Blower Sold Separately	Blower Sold Separately
Number of speed settings	3-stage	3-stage
Motor location	External	External
Damper included	Yes	Yes
Grease filter material	Washable stainless steel	Washable stainless steel
Grease filter type	Multilayer cassette	Multilayer cassette
Technical Details		
Volts (V)	120 V	120 V
Frequency (Hz)	60 Hz	60 Hz
Plug type	120V-3 prong	120V-3 prong
Power cord length (in.)	30"	30"
Dimensions & Weight		
Overall appliance dimensions (width of canopy included) (HxWxD) (in.)	21 5/8" x 31" x 3 3/4"	21 5/8" x 37" x 3 3/4"
Height of the rise (in.)	13"	13"
Diameter of air duct (in.) top	10"	10"
Net weight (lbs)	37 lbs	47 lbs

Optional Accessories



DHDRM36UC
Recirculation kit



DHZDHR6
6" duct transition

NOTE: Required with the installation of inline and remote blowers for downdraft applications only. DHZDHR6 is for 600 CFM which will improve overall performance.



DHG601DUC
600 CFM Internal Blower



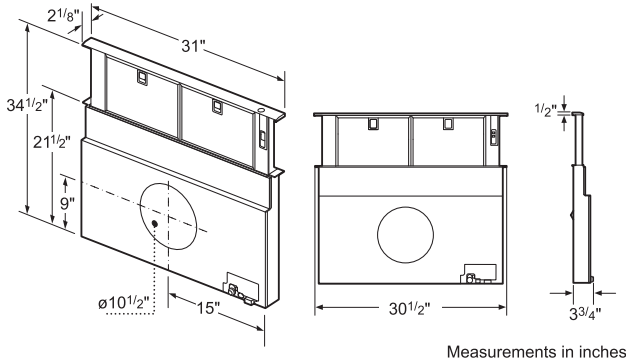
DHG6015DUC
600 CFM Inline Blower



DHG6023UC
600 CFM Remote Blower

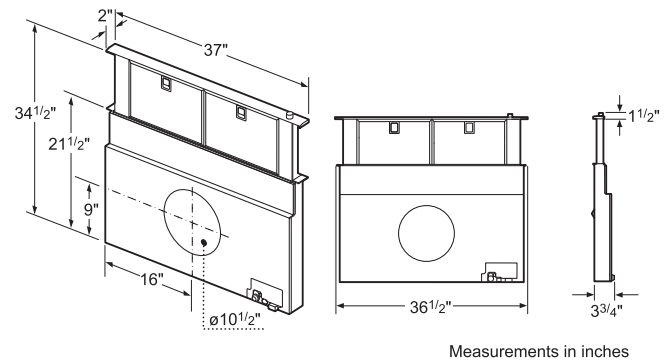
800 Series Downdraft Hoods

30" Downdraft Hood

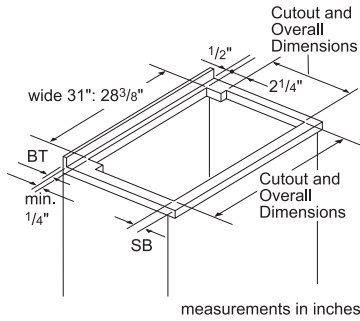


Measurements in inches

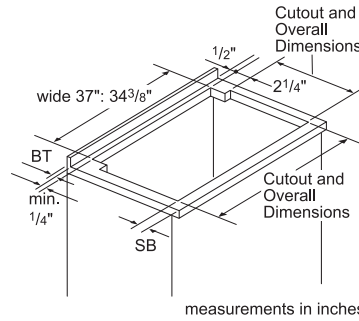
36" Downdraft Hood



Measurements in inches

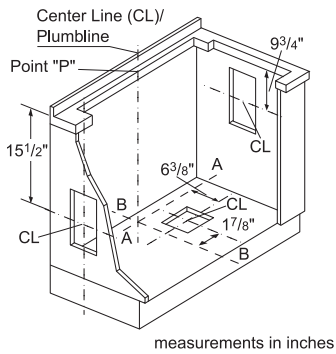


measurements in inches



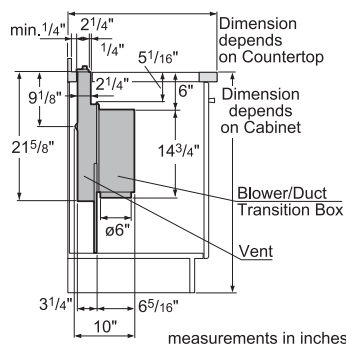
measurements in inches

30" & 36" Downdraft Hood



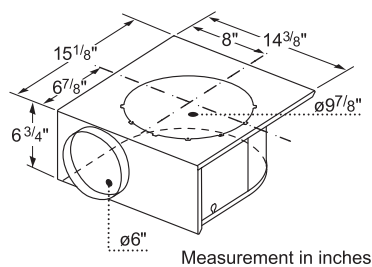
measurements in inches

30" & 36" Downdraft Hood



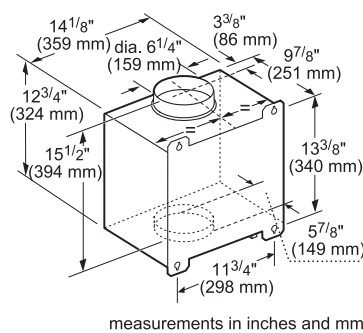
measurements in inches

DHG601DUC 600 CFM Internal Blower



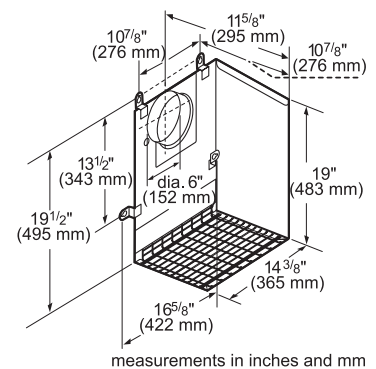
Measurement in inches

DHG6015DUC 600 CFM Inline Blower



measurements in inches and mm

DHG6023UC 600 CFM Remote Blower



measurements in inches and mm

800 Series Custom Insert Hoods



21" - HUI31451UC
29" - DHL755BUC
800 Series
Custom Insert Hoods

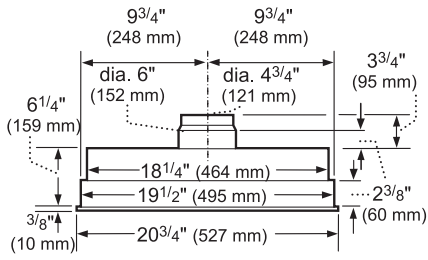
- 400 CFM
- 2 Halogen Lights
- Aluminum Mesh Filters
- Slide Control Switch

800 Series
21" - HUI31451UC
29" - DHL755BUC

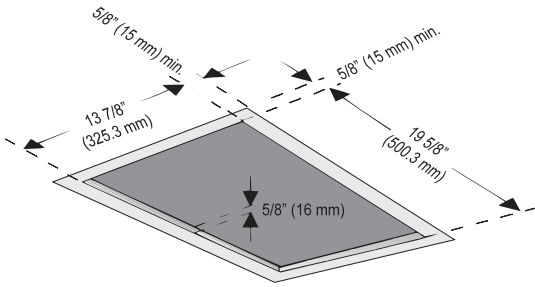
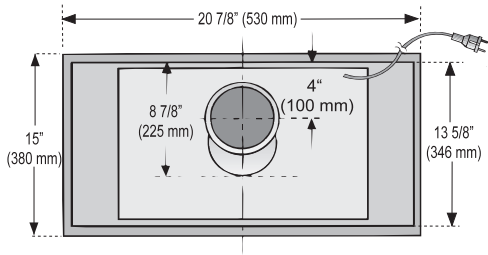
General Properties	
Operating mode	Ducted
Maximum CFM	400 CFM
Number of speed settings	3-stage
Motor location	Integrated motor in hood body
Number of lights	2
Bulb type	Halogen
Total power of the lamps (W)	40 W
Damper included	Yes
Grease filter material	Aluminum
Grease filter type	Multilayer cassette
Technical Details	
Volts (V)	120 V
Frequency (Hz)	60 Hz
Plug type	120V-3 prong
Power cord length (in.)	51"
Dimensions & Weight	
Overall appliance dimensions (width of canopy included) (HxWxD) (in.)	21": 10" x 20 ³ / ₄ " x 15" 30": 6 ¹ / ₄ " / x 28 ¹¹ / ₁₆ " x 15"
Required distance above cooktop / range cooking surface	30" Electric / 30" Gas
Diameter of air duct (in.) top	6"
Net weight (lbs)	21": 19 lbs 30": 23 lbs

800 Series Custom Insert Hoods

21" Custom Insert Hood



measurements in inches and mm



29" Custom Insert Hood

