

Ventilation

Removes smoke and odor. Adds exceptional style.





Bosch's efficient, highly effective ventilation products complete any Bosch kitchen package. Capable of up to 600 CFM, they quickly minimize steam, odors, grease and smoke without adding distracting noise.

The perfect solution for high ceilings, islands, or simply for space considerations, our downdraft rises from behind your cooktop instead of above. For energy-conscious homes, our ENERGY STAR® hoods save electricity and operate extra quietly.

Almost all Bosch ventilation products, including downdraft models, offer the flexibility of recirculation.

Benchmark® Ventilation

A breath of fresh air.

Modern Art, Sculpted in Steel and Glass

Benchmark® wall mounted chimney hoods add style and sophistication to the kitchen and give you greater freedom to plan your kitchen layout.

Sleek European Design

Bosch stainless steel hoods integrate matching user interfaces and design aesthetics to complete the Bosch kitchen suite, offering a distinctive European look.



Powerful Solutions to Every Bosch Cooktop or Range

With up to 600 CFM of power available in wall hoods, Benchmark® hoods meet the ventilation requirements of any Bosch cooktop or range and are available with recirculation kits. These highly effective vents quickly clear the air of grease, steam, smoke and odor without adding distracting noise.









Ventilation Selection Guide

✓ = Design Match

✓ = Viable Option

Cooktops			
			
24-Inch Electric	30-Inch Electric & Induction	36-Inch Electric & Induction	24-Inch Gas

Chimney Wall Hoods



30-Inch HCP30E51UC	✓	✓		✓
30-Inch HCP30E51UC		✓		
30-Inch HCB50E51UC		✓		
36-Inch HCG56E51UC		✓	✓	
36-Inch HCP36E51UC		✓	✓	
36-Inch HCP36E51UC		✓	✓	
36-Inch HCB56E51UC		✓	✓	

Under-Cabinet Range Hoods



30-Inch DUH30I52UC	✓	✓		✓
30-Inch DUH30I52UC		✓		
30-Inch DPH30E52UC		✓		
36-Inch DUH36I52UC		✓	✓	
36-Inch DUH36I52UC		✓	✓	
36-Inch DPH36E52UC		✓	✓	

Island Hood



42-Inch HIB82E51UC		✓	✓	
--------------------	--	---	---	--

Custom Insert Hoods



21-Inch HUI314E51UC	✓			✓
29-Inch DHL75E51UC	✓	✓		✓

Downdrafts



30-Inch DHD30I4UC		✓		
36-Inch DHD36I4UC			✓	

Pull-Out Hoods



24-Inch HUI544E51UC	✓			✓
30-Inch HUI503E51UC	✓	✓		✓
36-Inch HUI565E51UC		✓	✓	

Ventilation Selection Guide

Cooktops		Slide-In Ranges			
					
30-Inch Gas	36-Inch Gas	Dual Fuel	Electric	Induction	Gas
✓		✓	✓	✓	✓
✓		✓	✓	✓	✓
✓		✓	✓	✓	✓
✓	✓	✓	✓	✓	✓
✓	✓	✓	✓	✓	✓
✓	✓	✓	✓	✓	✓
✓	✓	✓	✓	✓	✓
✓		✓	✓	✓	✓
✓		✓	✓	✓	✓
✓	✓	✓	✓	✓	✓
✓	✓	✓	✓	✓	✓
✓	✓	✓	✓	✓	✓
✓		✓	✓	✓	✓
✓		✓	✓	✓	✓
✓		✓	✓	✓	✓
✓	✓	✓	✓	✓	✓
✓		✓	✓	✓	✓
✓		✓	✓	✓	✓
✓	✓	✓	✓	✓	✓
✓		✓	✓	✓	✓
✓		✓	✓	✓	✓
✓		✓	✓	✓	✓
✓	✓	✓	✓	✓	✓
✓		✓	✓	✓	✓

Benchmark® Chimney Wall Hood



**36" Benchmark®
Glass Canopy Chimney Hood
HCG56651UC**

- 600 CFM
- 2 Halogen Lights
- Stainless Steel Filters with Metal Latch
- 9 ft.–11.5 ft. Duct Cover Extension Accessory

36" Glass Canopy Chimney Hood

Stainless Steel – HCG56651UC

General Properties

Operating mode	Convertible: ducted / recirculating
Maximum CFM	600 CFM
Sones	10.13 HS / 2.46 WS
Number of speed settings	4-stage
Motor location	Integrated motor in hood chimney
Number of lights	2
Bulb type	Halogen
Total power of the lamps (W)	80 W
Damper included	Yes
Grease filter material	Washable stainless steel
Grease filter type	Multilayer cassette

Technical Details

Volts (V)	120 V
Frequency (Hz)	60 Hz
Plug type	No plug

Dimensions & Weight

Overall appliance dimensions (width of canopy included) (HxWxD) (in.)	27 7/16" x 42 3/8" / 27 7/16" x 46 5/16" / 35 7/8" x 19 11/16"
Height of the chimney (in.)	25 7/8" x 40 13/16" / 25 7/8" x 44 3/4"
Required distance above cooktop / range cooking surface	24" Electric / 30" Gas
Diameter of air duct (in.) top	8"
Net weight (lbs)	54 lbs

Optional Accessories



HCGEXT5UC
Chimney extension for 9–11.5 ft. ceilings for use with HCG56651UC



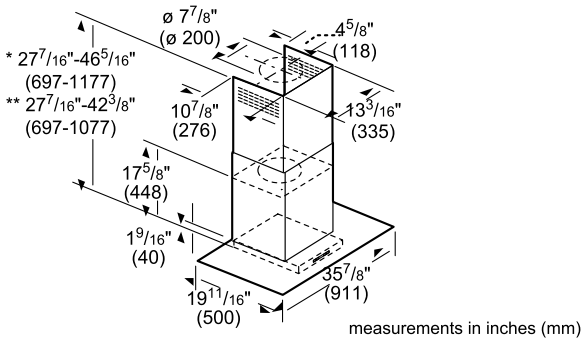
HCIFILTUC
Filter kit



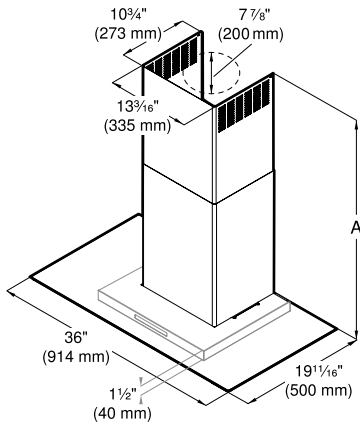
HCRECSUC
Recirculation kit for HCG56651UC

Benchmark® Chimney Wall Hood

36" Glass Canopy Chimney Hood

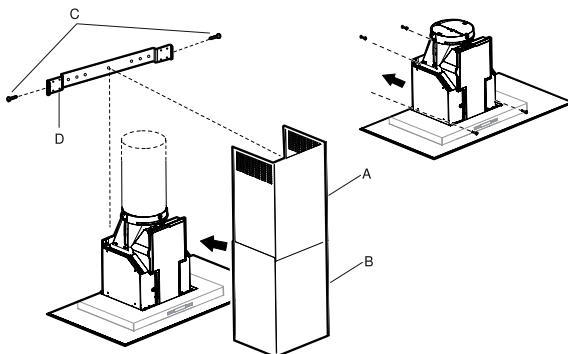


- * Recirculating installation
- ** Ducted installation



- A Ducted operation:
 Min. / Max. $27\frac{7}{16}$ " (697 mm) / $42\frac{3}{8}$ " (1076 mm)
 Recirculation mode:
 Min. / Max. $27\frac{7}{16}$ " (697 mm) / $46\frac{5}{16}$ " (1176 mm)

measurements in inches (mm)



- | | |
|---|-----------------|
| A | Upper flue duct |
| B | Lower flue duct |
| C | Screws |
| D | Angle bracket |

300 / 500 Series 30" Chimney Wall Hoods



**30" 300 Series
Pyramid Canopy Chimney Hood
HCP30E51UC**

- 300 CFM
- ENERGY STAR® Qualified
- 1 Fluorescent Light
- Aluminum Mesh Filters
- 9 ft.–11.5 ft. Duct Cover Extension Accessory



**30" 300 Series
Pyramid Canopy Chimney Hood
HCP30651UC**

- + 600 CFM
- + 2 Halogen Lights
- Aluminum Mesh Filters
- 9 ft.–11.5 ft. Duct Cover Extension Accessory



**30" 500 Series
Box Canopy Chimney Hood
HCB50651UC**

- 600 CFM
- 2 Halogen Lights
- + Stainless Steel Filters with Metal Latch
- 9 ft.–11.5 ft. Duct Cover Extension Accessory

+ Indicates a step-up feature

	30" Pyramid Canopy 300 Series	30" Pyramid Canopy 300 Series	30" Box Canopy 500 Series
	Stainless Steel – HCP30E51UC	Stainless Steel – HCP30651UC	Stainless Steel – HCB50651UC
General Properties			
Operating mode	Convertible: ducted / recirculating	Convertible: ducted / recirculating	Convertible: ducted / recirculating
Maximum CFM	300 CFM	600 CFM	600 CFM
Sones	5.36 HS / 1.56 WS	9.9 HS / 4.56 WS	9.9 HS / 4.56 WS
Number of speed settings	3-stage	4-stage	4-stage
Motor location	Integrated motor in hood chimney	Integrated motor in hood chimney	Integrated motor in hood chimney
Number of lights	1	2	2
Bulb type	Fluorescent	Halogen	Halogen
Total power of the lamps (W)	13 W	80 W	80 W
Damper included	Yes	Yes	Yes
Grease filter material	Aluminum	Aluminum	Washable stainless steel
Grease filter type	Multilayer cassette	Multilayer cassette	Multilayer cassette
Technical Details			
Volts (V)	120 V	120 V	120 V
Frequency (Hz)	60 Hz	60 Hz	60 Hz
Plug type	No plug	No plug	No plug
Dimensions & Weight			
Overall appliance dimensions (width of canopy included) (HxWxD) (in.)	24 9/16" – 38 7/8" / 28 1/4" – 42 9/16" x 30" x 19 11/16"	24 9/16" – 38 7/8" / 28 1/4" – 42 9/16" x 30" x 19 11/16"	27 1/16" x 42 1/8" / 27 1/16" x 45 13/16" / 30" x 19 11/16"
Height of the chimney (in.)	19 9/16" – 33 7/8" / 23 1/4" – 42 9/16"	19 9/16" – 33 7/8" / 23 1/4" – 42 9/16"	25 1/2" x 40 9/16" / 25 1/2" x 44 1/4"
Required distance above cooktop / range cooking surface	24" Electric / 30" Gas	24" Electric / 30" Gas	24" Electric / 30" Gas
Diameter of air duct (in.) top	8"	8"	8"
Net weight (lbs)	49 lbs	49 lbs	54 lbs

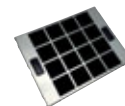
Optional Accessories



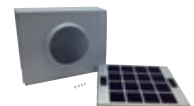
HCPEXT5UC
Chimney extension for 9–11.5 ft. ceilings for use with HCP30E51UC and HCP30651UC



HCBEXT5UC
Chimney extension for 9–11.5 ft. ceilings for use with HCB50651UC



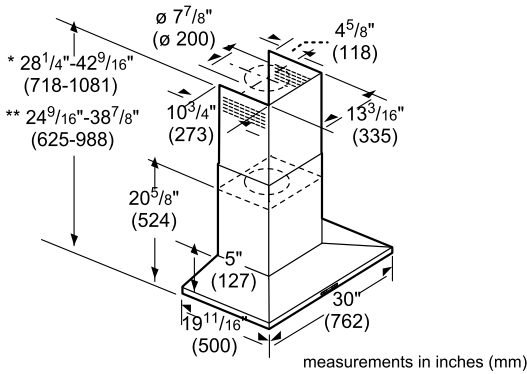
HCIFILTUC
Filter kit



HCREC5UC
Recirculation kit

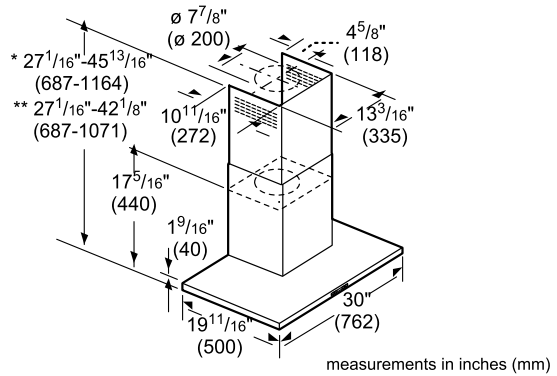
300 / 500 Series 30" Chimney Wall Hoods

30" Pyramid Canopy Chimney Hood

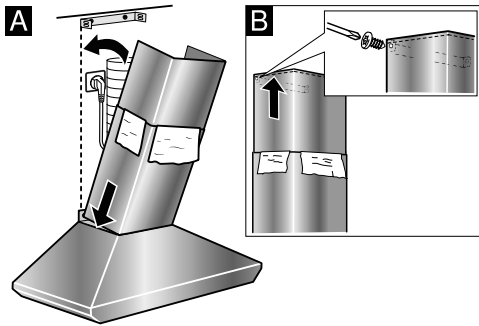


* Recirculating installation
 ** Ducted installation

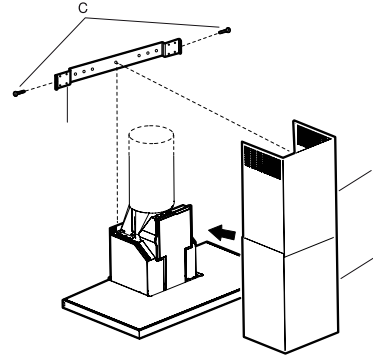
30" Box Canopy Chimney Hood



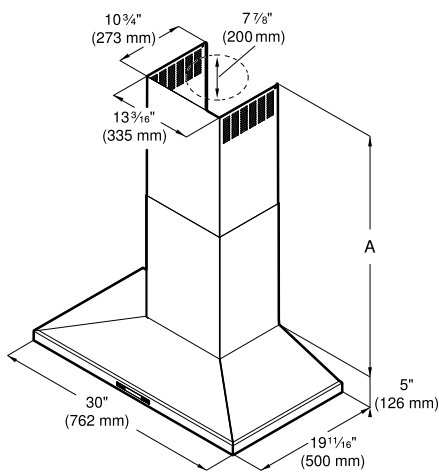
* Recirculating installation
 ** Ducted installation



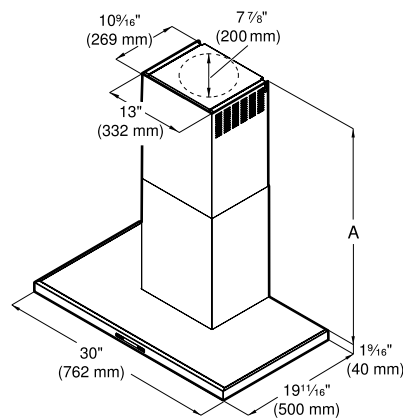
A Lower flue duct
 B Upper flue duct



A Upper flue duct
 B Lower flue duct
 C Screws
 D Angle bracket



A Ducted operation:
 Min. / Max. $24\frac{9}{16}"$ (624 mm) / $38\frac{7}{8}"$ (985 mm)
 Recirculation mode:
 Min. / Max. $28\frac{1}{4}"$ (716 mm) / $42\frac{9}{16}"$ (1081 mm)
 measurements in inches (mm)



A Ducted operation:
 Min. / Max. $27\frac{1}{16}"$ (687 mm) / $42\frac{1}{8}"$ (1070 mm)
 Recirculation mode:
 Min. / Max. $27\frac{1}{16}"$ (687 mm) / $45\frac{13}{16}"$ (1164 mm)
 measurements in inches (mm)

300 / 500 Series 36" Chimney Wall Hoods



**36" 300 Series
Pyramid Canopy Chimney Hood
HCP36E51UC**

- 300 CFM
- ENERGY STAR® Qualified
- 1 Fluorescent Light
- Aluminum Mesh Filters
- 9 ft.–11.5 ft. Duct Cover Extension Accessory

+ Indicates a step-up feature



**36" 300 Series
Pyramid Canopy Chimney Hood
HCP36651UC**

- + 600 CFM
- + 2 Halogen Lights
- Aluminum Mesh Filters
- 9 ft.–11.5 ft. Duct Cover Extension Accessory



**36" 500 Series
Box Canopy Chimney Hood
HCB56651UC**

- 600 CFM
- 2 Halogen Lights
- + Stainless Steel Filters with Metal Latch
- 9 ft.–11.5 ft. Duct Cover Extension Accessory

36" Pyramid Canopy 300 Series	36" Pyramid Canopy 300 Series	36" Box Canopy 500 Series
Stainless Steel – HCP36E51UC	Stainless Steel – HCP36651UC	Stainless Steel – HCB56651UC

General Properties			
Operating mode	Convertible: ducted / recirculating	Convertible: ducted / recirculating	Convertible: ducted / recirculating
Maximum CFM	300 CFM	600 CFM	600 CFM
Sones	5.36 HS / 1.56 WS	9.9 HS / 4.56 WS	9.9 HS / 4.56 WS
Number of speed settings	3-stage	4-stage	4-stage
Motor location	Integrated motor in hood chimney	Integrated motor in hood chimney	Integrated motor in hood chimney
Number of lights	1	2	2
Bulb type	Fluorescent	Halogen	Halogen
Total power of the lamps (W)	13 W	80 W	80 W
Damper included	Yes	Yes	Yes
Grease filter material	Aluminum	Aluminum	Washable stainless steel
Grease filter type	Multilayer cassette	Multilayer cassette	Multilayer cassette
Technical Details			
Volts (V)	120 V	120 V	120 V
Frequency (Hz)	60 Hz	60 Hz	60 Hz
Plug type	No plug	No plug	No plug
Dimensions & Weight			
Overall appliance dimensions (width of canopy included) (HxWxD) (in.)	24 9/16" – 38 7/8" / 28 1/4" – 42 9/16" x 36" x 19 11/16"	24 9/16" – 38 7/8" / 28 1/4" – 42 9/16" x 36" x 19 11/16"	27 1/16" x 42 1/8" / 27 1/16" x 45 13/16" / 36" x 19 11/16"
Height of the chimney (in.)	19 9/16" – 33 7/8" / 23 1/4" – 42 9/16"	19 9/16" – 33 7/8" / 23 1/4" – 42 9/16"	25 1/2" x 40 9/16" / 25 1/2" x 44 1/4"
Required distance above cooktop / range cooking surface	24" Electric / 30" Gas	24" Electric / 30" Gas	24" Electric / 30" Gas
Diameter of air duct (in.) top	8"	8"	8"
Net weight (lbs)	53 lbs	53 lbs	54 lbs

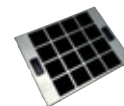
Optional Accessories



HCPEXT5UC
Chimney extension for 9–11.5 ft. ceilings for use with HCP36E51UC and HCP36651UC



HCBEXT5UC
Chimney extension for 9–11.5 ft. ceilings for use with HCB56651UC



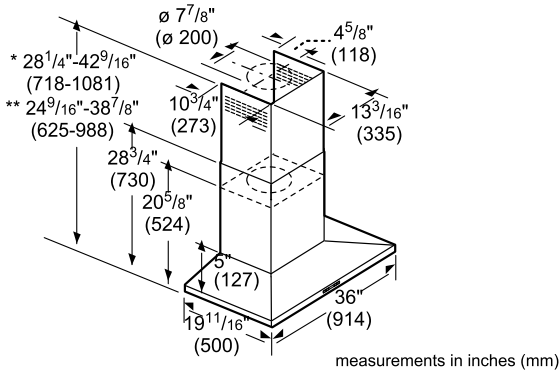
HCIFILTUC
Filter kit



HCREC5UC
Recirculation kit

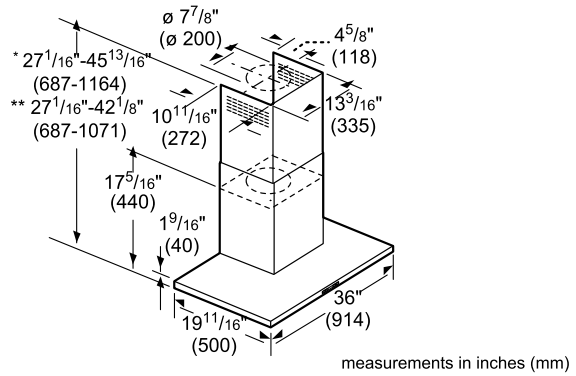
300 / 500 Series 36" Chimney Wall Hoods

36" Pyramid Canopy Chimney Hood

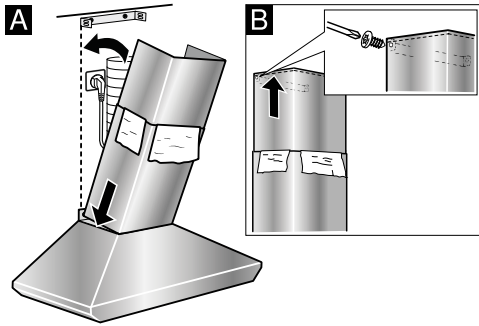


- * Recirculating installation
- ** Ducted installation

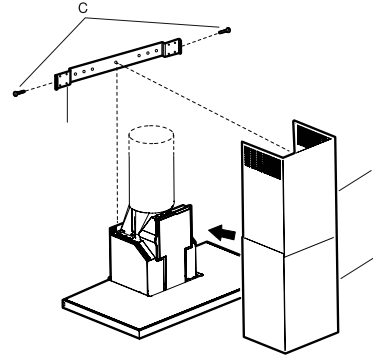
36" Box Canopy Chimney Hood



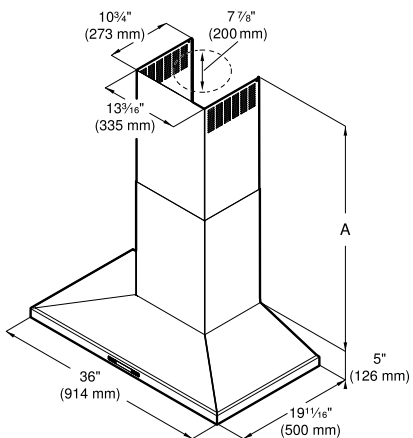
- * Recirculating installation
- ** Ducted installation



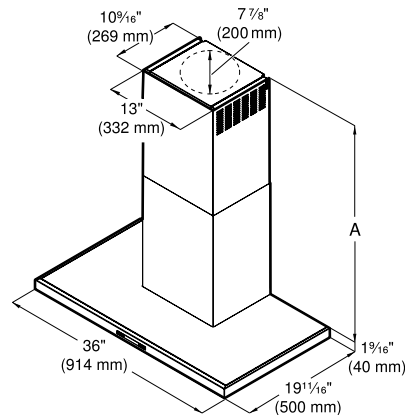
- A Lower flue duct
- B Upper flue duct



- A Upper flue duct
- B Lower flue duct
- C Screws
- D Angle bracket



- A Ducted operation:
Min. / Max. 24 9/16" (624 mm) / 38 7/8" (985 mm)
Recirculation mode:
Min. / Max. 28 1/4" (716 mm) / 42 9/16" (1081 mm)
- measurements in inches (mm)



- A Ducted operation:
Min. / Max. 27 1/16" (687 mm) / 42 1/8" (1070 mm)
Recirculation mode:
Min. / Max. 27 1/16" (687 mm) / 45 13/16" (1164 mm)
- measurements in inches (mm)

800 Series Island Hood



42" 800 Series Box Canopy Island Hood HIB82651UC

- 600 CFM
- 4 Halogen Lights
- Stainless Steel Filters with Metal Latch
- 9 ft.–11.5 ft. Duct Cover Extension Accessory

42" Box Canopy Island Hood

Stainless Steel – HIB82651UC

General Properties

Operating mode	Convertible: ducted / recirculating
Maximum CFM	600 CFM
Sones	9.9 HS / 4.56 WS
Number of speed settings	4-stage
Motor location	Integrated motor in hood chimney
Number of lights	4
Bulb type	Halogen
Total power of the lamps (W)	80 W
Damper included	Yes
Grease filter material	Washable stainless steel
Grease filter type	Multilayer cassette

Technical Details

Volts (V)	120 V
Frequency (Hz)	60 Hz
Plug type	No plug

Dimensions & Weight

Overall appliance dimensions (width of canopy included) (HxWxD) (in.)	29 13/16" – 45 5/16" / 29 13/16" – 50 5/16" x 42 1/16" x 27"
Height of the chimney (in.)	27 7/16" – 42 7/8" / 27 7/16" – 47 7/8"
Required distance above cooktop / range cooking surface	24" Electric / 30" Gas
Diameter of air duct (in.) top	8"
Net weight (lbs)	110 lbs

Optional Accessories



HCIEXT5UC
Chimney extension for 9–11.5 ft. ceilings for use with HIB82651UC



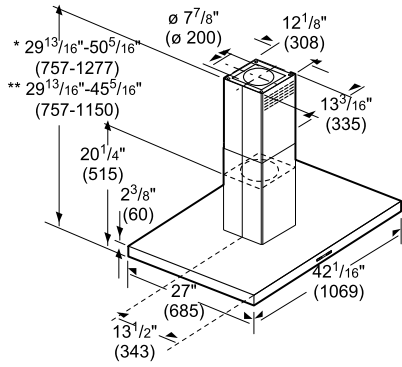
HCIFILTUC
Filter kit



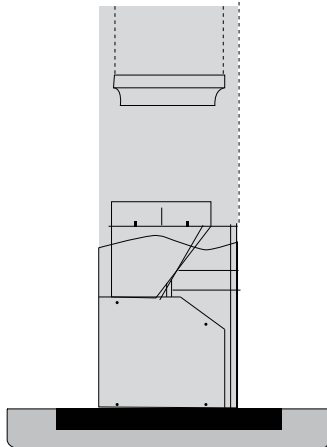
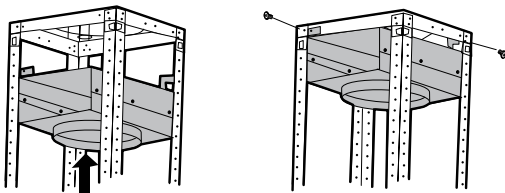
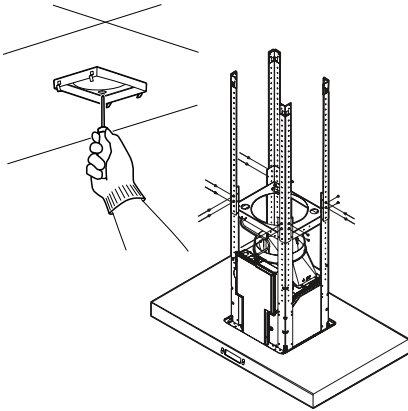
HIREC5UC
Recirculation kit for HIB82651UC

800 Series Island Hood

42" Box Canopy Island Hood



- * Recirculating installation measurements in inches (mm)
- ** Ducted installation



500 Series Pull-Out Hood



**24" 500 Series
Pull-Out Hood
HUI54451UC**

- 400 CFM
- Electronic Control
- 2 Halogen Lights
- Convertible: Ducted / Recirculating



**30" 500 Series
Pull-Out Hood
HUI50351UC**

- 300 CFM
- Electronic Control
- 2 Halogen Lights
- Convertible: Ducted / Recirculating



**36" 500 Series
Pull-Out Hood
HUI56551UC**

- + 500 CFM
- Electronic Control
- 2 Halogen Lights
- Convertible: Ducted / Recirculating

	24"	30"	36"
	Stainless Steel – HUI54451UC	Stainless Steel – HUI50351UC	Stainless Steel – HUI56551UC
General Properties			
Operating mode	Convertible: ducted / recirculating	Convertible: ducted / recirculating	Convertible: ducted / recirculating
Maximum CFM	400 CFM	300 CFM	500 CFM
Number of speed settings	4-stage	3-stage	3-stage
Motor location	Integrated motor in hood body	Integrated motor in hood body	Integrated motor in hood body
Number of lights	2	2	2
Bulb type	Halogen	Halogen	Halogen
Total power of the lamps (W)	40 W	40 W	40 W
Damper included	Yes	Yes	Yes
Grease filter material	Aluminum	Aluminum	Aluminum
Grease filter type	Multilayer cassette	Multilayer cassette	Multilayer cassette
Technical Details			
Volts (V)	120 V	120 V	120 V
Frequency (Hz)	60 Hz	60 Hz	60 Hz
Plug type	120V-3 Prong	No plug	No plug
Power cord length (in.)	45 1/2"	50"	50"
Dimensions & Weight			
Overall appliance dimensions (width of canopy included) (HxWxD) (in.)	11 13/16" x 23 9/16" x 11 13/16"	11 9/16" x 29 7/8" x 11"	11 9/16" x 35 7/8" x 11"
Required distance above cooktop / range cooking surface	24" Electric / 30" Gas	24" Electric / 30" Gas	24" Electric / 30" Gas
Diameter of air duct (in.) top	6"	6"	6"
Net weight (lbs)	24 lbs	26 lbs	32.5 lbs

Optional Accessories



HVREC5UC
Recirculation kit for use with HUI54451UC



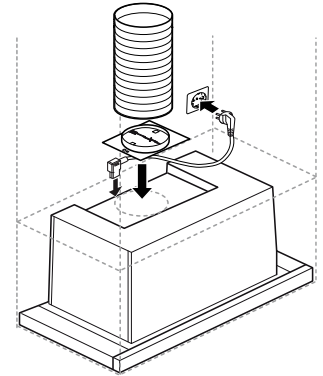
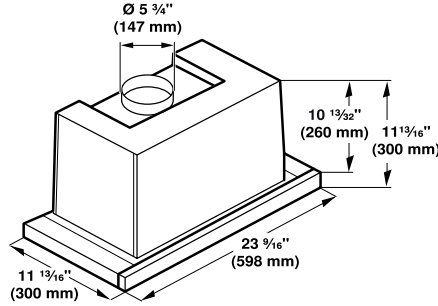
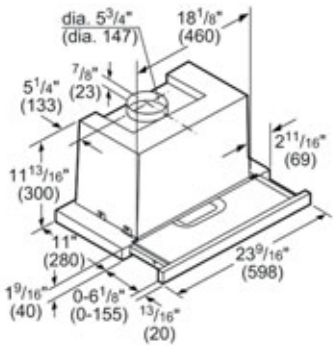
HUIF06UC
Recirculation kit for use with HUI50351UC and HUI56551UC



HUIRED56UC
CFM Reducer Kit for use with HUI56551UC

500 Series Pull-Out Hood

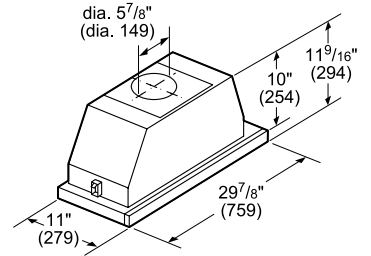
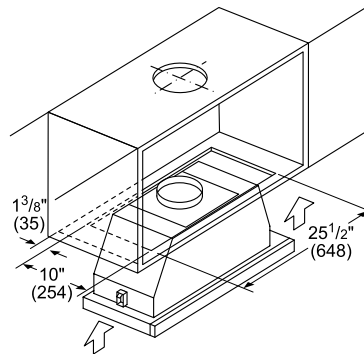
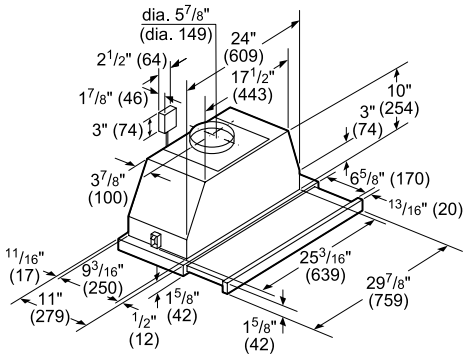
24" Pull-Out Hood



Installation height above cooking surface:
 24"-34" (610-864) to Electric
 29 $\frac{1}{2}$ "-34" (750-864) to Gas.

Measurements in inches (mm)

30" Pull-Out Hood

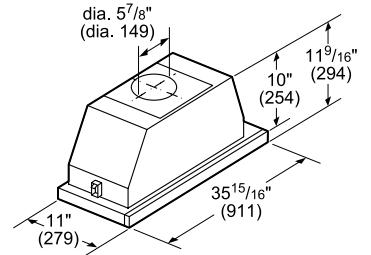
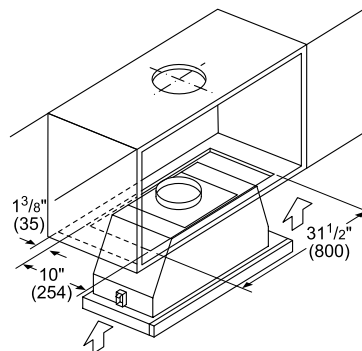
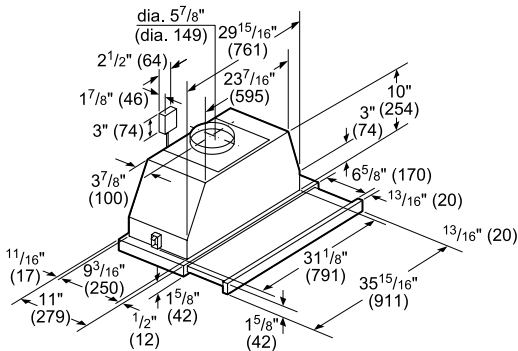


measurements in inches (mm)

Installation height above cooking surface:
 24" (610) to Electric
 25 $\frac{3}{4}$ " (650) to Gas.

measurements in inches (mm)

36" Pull-Out Hood



measurements in inches (mm)

Installation height above cooking surface:
 24" (610) to Electric
 25 $\frac{3}{4}$ " (650) to Gas.

measurements in inches (mm)

300 / 500 / 800 Series 30" Under-Cabinet Wall Hoods



**30" 300 Series
Under-Cabinet Wall Hood
DUH30152UC**

- 280 CFM
- Incandescent Lights
- Aluminum Mesh Filters
- Three Power Levels



**30" 500 Series
Under-Cabinet Wall Hood
DUH30252UC**

- + 400 CFM
- + Halogen Lights (not included)
- Aluminum Mesh Filters
- + Four Power Levels



**30" 800 Series
Under-Cabinet Wall Hood
DPH30652UC**

- + 600 CFM
- Incandescent Lights
- Aluminum Mesh Filters
- + Professional Design

+ Indicates a step-up feature

	300 Series	500 Series	800 Series
	Stainless Steel – DUH30152UC	Stainless Steel – DUH30252UC	Stainless Steel – DPH30652UC
General Properties			
Operating mode	Convertible: ducted / recirculating	Convertible: ducted / recirculating	Convertible: ducted / recirculating
Maximum CFM	280 CFM	400 CFM	600 CFM
Number of speed settings	3-stage	4-stage	2-stage
Motor location	Integrated motor in hood body	Integrated motor in hood body	Integrated motor in hood body
Number of lights	2	2 (Not Included)	2
Bulb type	Incandescent	Halogen	Incandescent
Total power of the lamps (W)	80 W	100 W	80 W
Damper included	Yes	Yes	Yes
Grease filter material	Aluminum	Aluminum	Aluminum
Grease filter type	Multilayer cassette	Multilayer cassette	Multilayer cassette
Technical Details			
Watts (W)	N/A	N/A	142 W
Volts (V)	120 V	120 V	120 V
Frequency (Hz)	60 Hz	60 Hz	60 Hz
Plug type	No plug	No plug	No plug
Dimensions & Weight			
Overall appliance dimensions (width of canopy included) (HxWxD) (in.)	5" x 30" x 20"	5" x 30" x 20"	11" x 30" x 23"
Required distance above cooktop / range cooking surface	30" Electric / 30" Gas	30" Electric / 30" Gas	30" Electric / 30" Gas
Diameter of air duct (in.) top	7"	7"	8"
Diameter of air duct (in.) back	3 1/4" x 10" Rectangular	3 1/4" x 10" Rectangular	8"
Net weight (lbs)	42 lbs	42 lbs	34 lbs

Optional Accessories for 300 and 500 Series Under-Cabinet Hoods

DHZ3002UC
Replacement charcoal filter

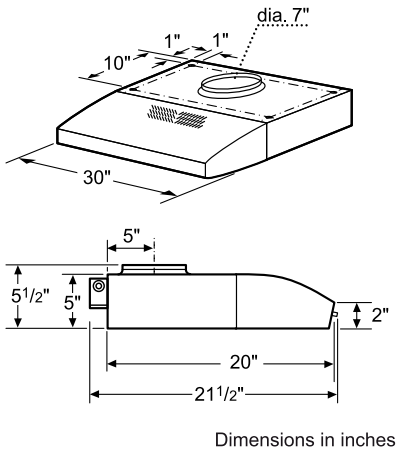
Optional Accessories for 800 Series Under-Cabinet Hood

DHZ3052UC
Replacement charcoal filter

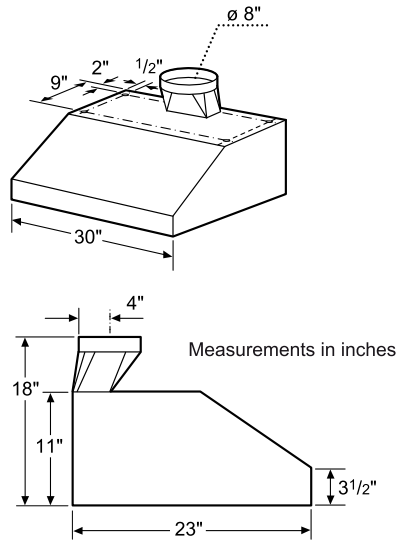
DRZ3052UC
Recirculation kit
Adds 4" height to appliance

300 / 500 / 800 Series 30" Under-Cabinet Wall Hoods

300 / 500 Series 30" Under-Cabinet Hoods Dimensions

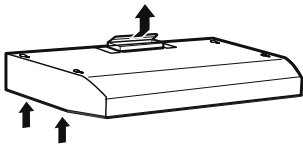


800 Series 30" Under-Cabinet Hood Dimensions

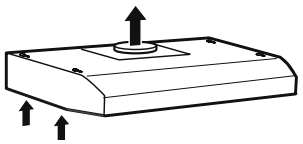


300 / 500 Series 30" Under-Cabinet Hoods Venting

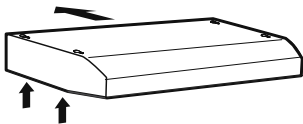
Vertical discharge:
Use a rectangular duct 3 1/4" x 10".....



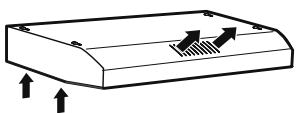
....or use a round 7" duct



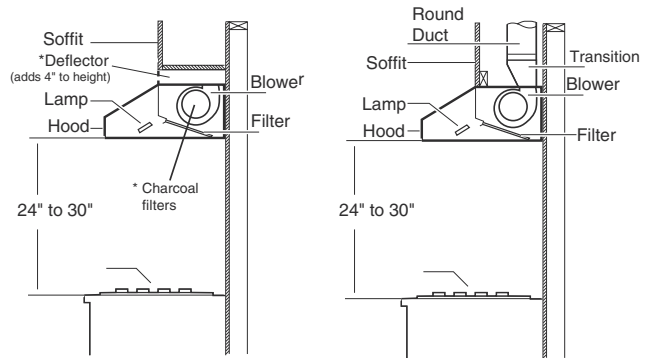
Horizontal discharge:
Use a rectangular duct 3 1/4" x 10"



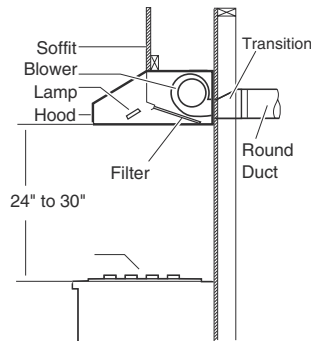
Recirculating (non vented ductless)



800 Series 30" Under-Cabinet Hood Venting



Recirculating
* Optional accessory - Ductless recirculation kit. Adds 4" to height of appliance.



Horizontal discharge

300 / 500 / 800 Series 36" Under-Cabinet Wall Hoods



**36" 300 Series
Under-Cabinet Wall Hood
DUH36152UC**

- 280 CFM
- Incandescent Lights
- Aluminum Mesh Filters
- Three Power Levels



**36" 500 Series
Under-Cabinet Wall Hood
DUH36252UC**

- + 400 CFM
- + Halogen Lights (not included)
- Aluminum Mesh Filters
- + Four Power Levels



**36" 800 Series
Under-Cabinet Wall Hood
DPH36652UC**

- + 600 CFM
- Incandescent Lights
- Aluminum Mesh Filters
- + Professional Design

+ Indicates a step-up feature

	300 Series	500 Series	800 Series
	Stainless Steel – DUH36152UC	Stainless Steel – DUH36252UC	Stainless Steel – DPH36652UC
General Properties			
Operating mode	Convertible: ducted / recirculating	Convertible: ducted / recirculating	Convertible: ducted / recirculating
Maximum CFM	280 CFM	400 CFM	600 CFM
Number of speed settings	3-stage	4-stage	2-stage
Motor location	Integrated motor in hood body	Integrated motor in hood body	Integrated motor in hood body
Number of lights	2	2 (Not Included)	2
Bulb type	Incandescent	Halogen	Incandescent
Total power of the lamps (W)	80 W	100 W	80 W
Damper included	Yes	Yes	Yes
Grease filter material	Aluminum	Aluminum	Aluminum
Grease filter type	Multilayer cassette	Multilayer cassette	Multilayer cassette
Technical Details			
Watts (W)	N/A	N/A	253 W
Volts (V)	120 V	120 V	120 V
Frequency (Hz)	60 Hz	60 Hz	60 Hz
Plug type	No plug	No plug	No plug
Dimensions & Weight			
Overall appliance dimensions (width of canopy included) (HxWxD) (in.)	5" x 36" x 20"	5" x 36" x 20"	11" x 36" x 23"
Required distance above cooktop / range cooking surface	30" Electric / 30" Gas	30" Electric / 30" Gas	30" Electric / 30" Gas
Diameter of air duct (in.) top	7"	7"	8"
Diameter of air duct (in.) back	3 1/4" x 10" Rectangular	3 1/4" x 10" Rectangular	8"
Net weight (lbs)	41 lbs	41 lbs	34 lbs

Optional Accessories for 300 and 500 Series Under-Cabinet Hoods

DHZ3602UC
Replacement charcoal filter

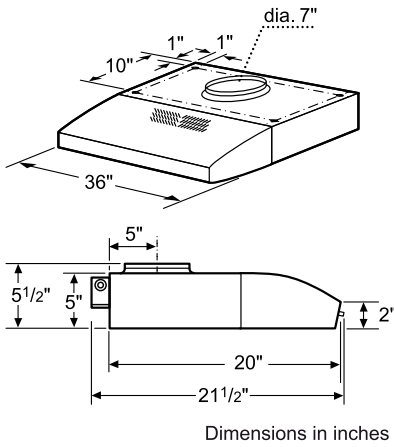
Optional Accessories for 800 Series Under-Cabinet Hood

DHZ3052UC
Replacement charcoal filter

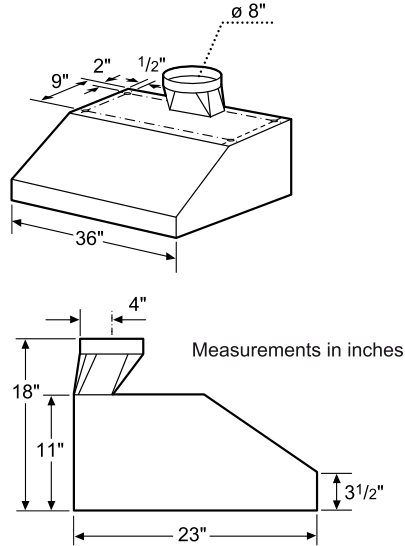
DRZ3652UC
Recirculation kit
Adds 4" height to appliance

300 / 500 / 800 Series 36" Under-Cabinet Wall Hoods

300 / 500 Series 36" Under-Cabinet Hoods Dimensions



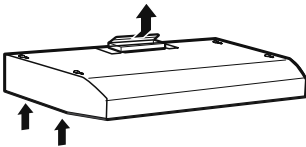
800 Series 36" Under-Cabinet Hood Dimensions



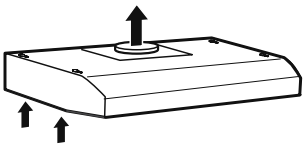
300 / 500 Series 36" Under-Cabinet Hoods Venting

Vertical discharge:

Use a rectangular duct 3 1/4" x 10".....

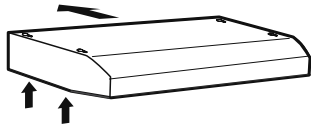


....or use a round 7" duct

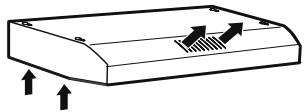


Horizontal discharge:

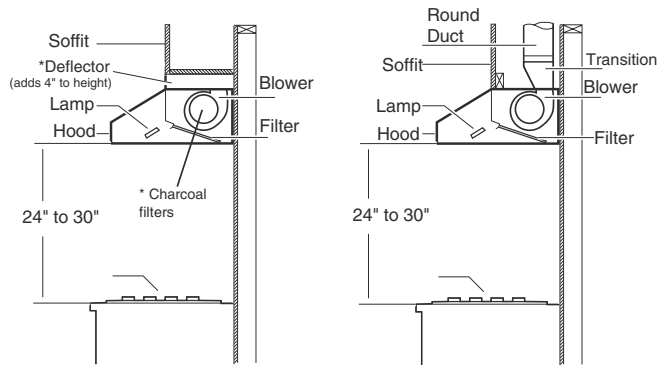
Use a rectangular duct 3 1/4" x 10"



Recirculating (non vented ductless)



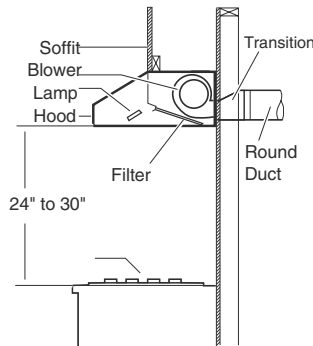
800 Series 36" Under-Cabinet Hood Venting



Recirculating

* Optional accessory - Ductless recirculation kit. Adds 4" to height of appliance.

Vertical discharge



Horizontal discharge

800 Series Downdraft Hoods



30" – DHD3014UC



36" – DHD3614UC

800 Series Downdraft Hoods

- 13" Telescopic Chimney
- 600 CFM Blower Options (sold separately)
- Stainless Steel Filters with Metal Latch
- Three Power Levels
- Recirculation Option (sold separately)

	30"	36"
	Stainless Steel – DHD3014UC	Stainless Steel – DHD3614UC
General Properties		
Operating mode	Convertible: ducted / recirculating	Convertible: ducted / recirculating
Maximum CFM	Blower Sold Separately	Blower Sold Separately
Number of speed settings	3-stage	3-stage
Motor location	External	External
Damper included	Yes	Yes
Grease filter material	Washable stainless steel	Washable stainless steel
Grease filter type	Multilayer cassette	Multilayer cassette
Technical Details		
Volts (V)	120 V	120 V
Frequency (Hz)	60 Hz	60 Hz
Plug type	120V-3 prong	120V-3 prong
Power cord length (in.)	30"	30"
Dimensions & Weight		
Overall appliance dimensions (width of canopy included) (HxWxD) (in.)	21 5/8" x 31" x 3 3/4"	21 5/8" x 37" x 3 3/4"
Height of the rise (in.)	13"	13"
Diameter of air duct (in.) top	10"	10"
Net weight (lbs)	37 lbs	47 lbs

Optional Accessories



DHDRM36UC
Recirculation kit



DHZDHR6
6" duct transition

NOTE: Required with the installation of inline and remote blowers for downdraft applications only. DHZDHR6 is for 600 CFM which will improve overall performance.



DHG601DUC
600 CFM Internal Blower



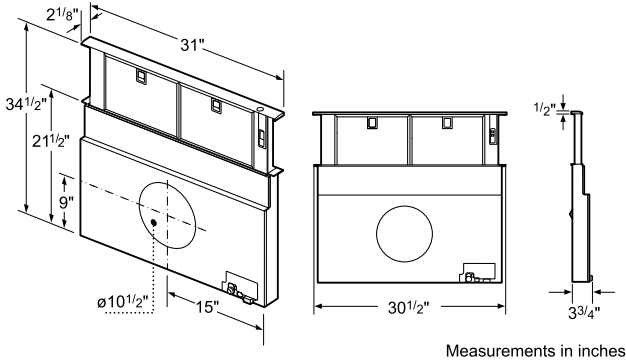
DHG6015NUC
600 CFM Inline Blower



DHG6023RUC
600 CFM Remote Blower

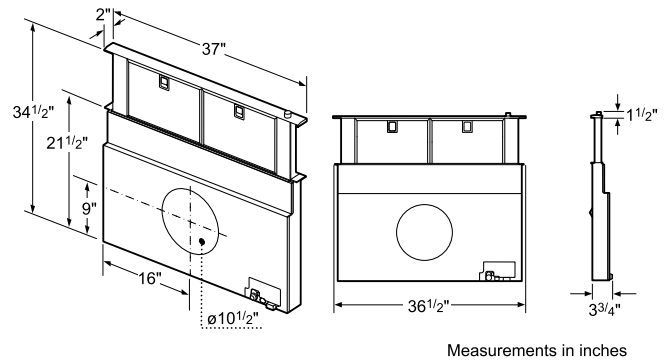
800 Series Downdraft Hoods

30" Downdraft Hood

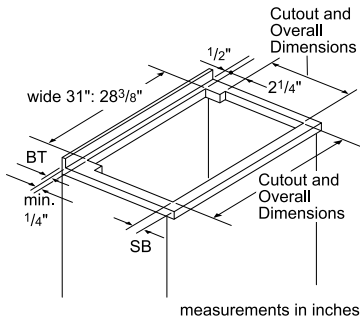


Measurements in inches

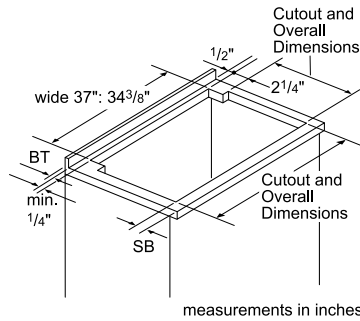
36" Downdraft Hood



Measurements in inches

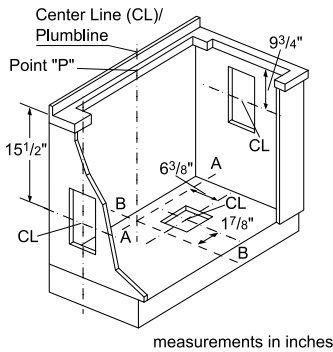


measurements in inches



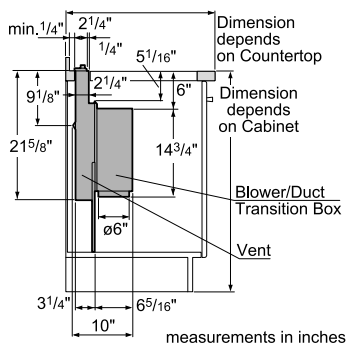
measurements in inches

30" & 36" Downdraft Hoods



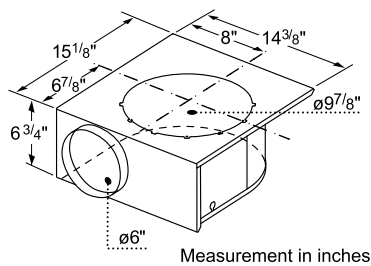
measurements in inches

30" & 36" Downdraft Hoods



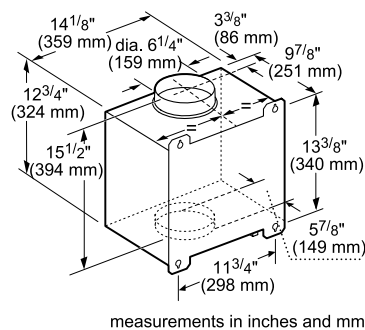
measurements in inches

DHG601DUC 600 CFM Internal Blower



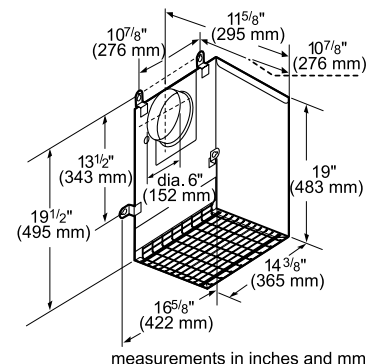
Measurement in inches

DHG6015NUC 600 CFM Inline Blower



measurements in inches and mm

DHG6023RUC 600 CFM Remote Blower



measurements in inches and mm

300 / 500 Series Custom Insert Hoods



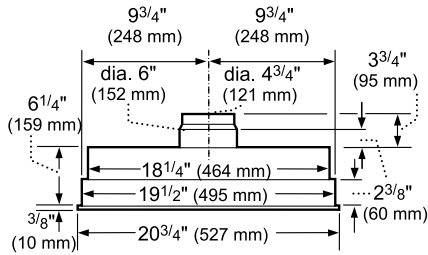
300 Series
21" – HUI31451UC
500 Series
29" – DHL755BUC
Custom Insert Hoods

- 400 CFM
- 2 Halogen Lights
- Aluminum Mesh Filters
- Slide Control Switch

	300 Series	500 Series
	21" – HUI31451UC	29" – DHL755BUC
General Properties		
Operating mode	Ducted	Ducted
Maximum CFM	400 CFM	400 CFM
Number of speed settings	3-stage	3-stage
Motor location	Integrated motor in hood body	Integrated motor in hood body
Number of lights	2	2
Bulb type	Halogen	Halogen
Total power of the lamps (W)	40 W	40 W
Damper included	Yes	Yes
Grease filter material	Aluminum	Aluminum
Grease filter type	Multilayer cassette	Multilayer cassette
Technical Details		
Volts (V)	120 V	120 V
Frequency (Hz)	60 Hz	60 Hz
Plug type	120V-3 prong	120V-3 prong
Power cord length (in.)	51"	51"
Dimensions & Weight		
Overall appliance dimensions (width of canopy included) (HxWxD) (in.)	10" x 20 ³ / ₄ " x 15"	6 ¹ / ₄ " / x 28 ¹¹ / ₁₆ " x 15"
Required distance above cooktop / range cooking surface	30" Electric / 30" Gas	30" Electric / 30" Gas
Diameter of air duct (in.) top	6"	6"
Net weight (lbs)	19 lbs	23 lbs

300 / 500 Series Custom Insert Hoods

21" Custom Insert Hood



measurements in inches and mm

29" Custom Insert Hood

