



DKE 93 . . AUC



en Operating and
installation instructions

fr Notice de montage
et d'utilisation

es Instrucciones de uso
y montaje



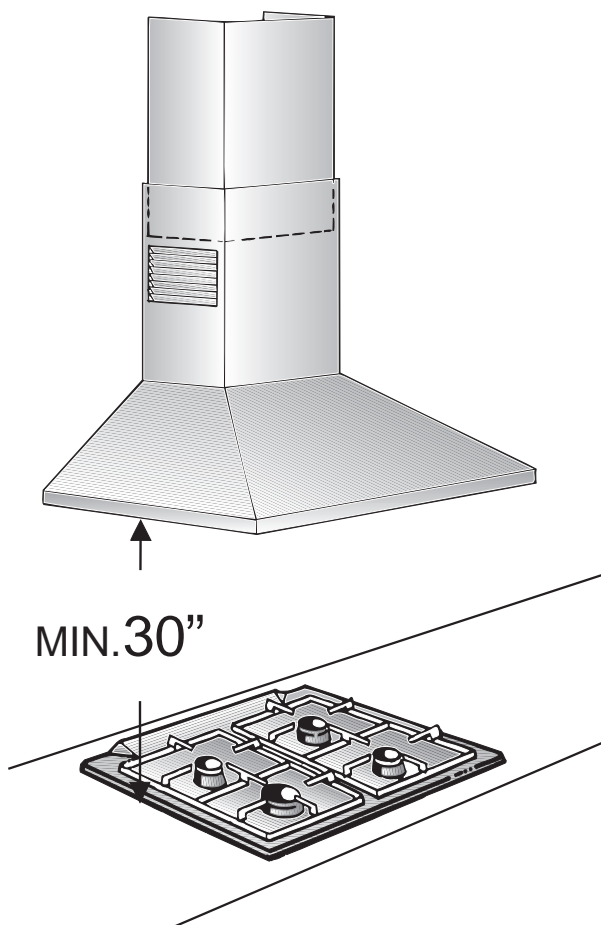
Household Appliances

en page 3-11

fr page 12-20

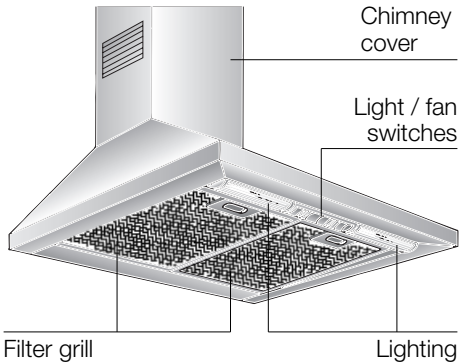
es página 21-29

Fig. 1



Instructions for use:

Appliance description



Operation

- The hood fan extracts the kitchen vapours and conveys them through the grease filter into the atmosphere.
- The grease filter absorbs the solid particles in the kitchen vapors.
- The kitchen is kept almost free of grease and odors.

⚠ If the hood is in exhaust-air mode and a flue-type heater is running at the same time (e.g. gas, oil or solid-fuel heaters, continuous-flow heaters, water heaters), **ensure that the fireplace has an adequate air supply** for combustion.

Safe operation requires that the low air pressure in the room in which the fireplace is located does not exceed 4 Pa (0.04 mbar).

This low air pressure can be obtained, provided combustion air can escape through non-lockable openings, e.g. in doors, windows, air-intake/exhaust-air wall boxes or by other technical procedures, such as reciprocal interlocking, etc.

An air-intake/exhaust-air wall box by itself is no guarantee that the limiting value will not be exceeded.

Note: When assessing the air pressure, the entire ventilation system in the house/ apartment must be taken into account. If using cooking appliances, e.g. hob and/or gas cooker, this rule does not apply.

Government regulations must be observed for the conveyance of exhaust air.

If you encounter a problem

If you have any questions or if a fault occurs, please call Customer Service:
1-800-735-4328

When you call, please quote the following:

E-Nr.	FD
-------	----

Enter the relevant numbers into the box above. The E-Nr. (product no.) and FD (production date) are shown on the nameplate which can be seen inside the extractor hood after the filter frame has been detached.

Before using for the first time

Important notes:

❑ The Instructions for Use apply to several versions of this appliance. Accordingly, you may find descriptions of individual features that do not apply to your specific appliance.

❑ This hood complies with all relevant safety regulations.

Repairs should only be carried out by qualified technicians.

Improperly executed repairs can give rise to significant hazards for the user.

❑ Before using your new appliance, please read these Instructions for Use carefully. They contain important information concerning your personal safety as well as on use and care of the appliance.

❑ Please keep the operating and installation instructions in a safe place; this important documentation may also be of use to a possible subsequent owner.

⚠ Do not use the appliance if it is damaged in any way

⚠ The appliance is not intended for use by young children without supervision. Young children should be supervised to ensure they do not play with the appliance.

⚠ Electrical connections should be made by a qualified technician.

⚠ Dispose of packaging materials properly (see Installation instructions).

⚠ Light bulbs must always be fitted when the hood is in use.

⚠ Never operate the hood without a grease filter.

⚠ Overheated fat or oil can easily catch fire.

If you are cooking with fat or oil, e.g. chips, etc., never leave food unattended.

⚠ Do not flambé food directly under the hood.

! Risk of grease filter catching fire due to flames.

WARNING – TO REDUCE THE RISK OF INJURY TO PERSONS, IN THE EVENT OF A RANGE TOP GREASE FIRE, OBSERVE THE FOLLOWING:

⚠ **SMOTHER FLAMES** with a close-fitting lid, cookie sheet, or other metal tray, then turn off the gas burner or the electric element. **BE CAREFUL TO PREVENT BURNS.** If the flames do not go out immediately, **EVACUATE AND CALL THE FIRE DEPARTMENT**

⚠ **NEVER PICK UP A FLAMING PAN** – you may be burned.

⚠ **DO NOT USE WATER**, including wet dishclothes or towels – a violent steam explosion may result.

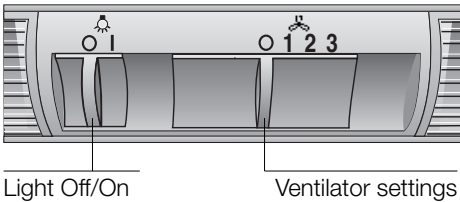
⚠ Use an extinguisher **ONLY** if:

1. You know you have a class ABC extinguisher, and you already know how to operate it.
2. The fire is small and contained in the area where it started.
3. The fire department is being called.
4. You can fight the fire with your back to an exit,

Operating procedure

⚠ The most effective method of removing vapours produced during cooking is to:

- Switch the ventilator ON**
approximately 5 minutes before you begin cooking.
- Switch the ventilator OFF**
a few minutes after you have finished cooking.



Switching ON:

- Slide the right slide switch to the desired fan setting.

Switching OFF:

- Slide the right slide switch back to **0**.

Lighting:

- The light can be switched on at any time, even though the fan is switched off.

Filters and maintenance

Grease filters:

Metal filters are used to trap the grease particles of the vapours that develop during cooking.

The filter mats are made from non-combustible metal.

Caution:

As the filter becomes more and more saturated with grease, not only does the risk of it catching fire increase but the efficiency of the hood can also be adversely affected.

Important:

By cleaning the metal grease filters at appropriate intervals, the possibility of them catching fire as a result of a build-up of heat such as occurs when deep-fat frying or roasting is taking place, is reduced.

Filters and maintenance

Cleaning the metal grease filters:

- In normal operation (1 to 2 hours daily), the metal grease filter must be cleaned after 8 to 10 weeks.
- The filters can be cleaned in a dishwasher. It is however possible that they will become slightly discolored.

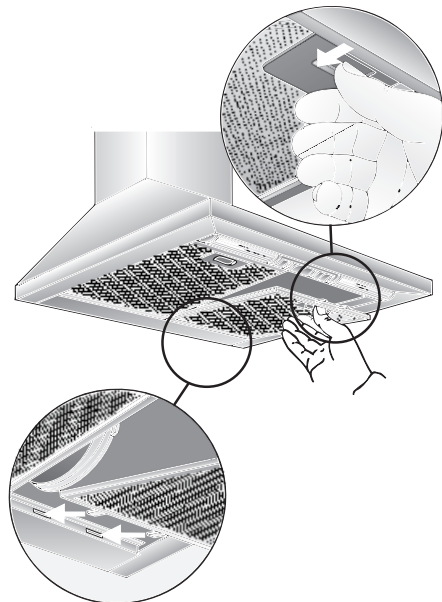
Important:

Metal filters that are saturated with grease should not be washed together with other dishes etc.

- When cleaning the filters by hand, soak them in hot soapy water first of all. Then brush the filters clean, rinse them thoroughly and leave the water to drain off.

Removing and inserting the metal grease filters:

1. Press the catch on the grease filters inwards and fold the filters down.



2. Clean the filters.
3. Insert the clean filters back into the hood.

Cleaning and care

Disconnect the hood from the electricity supply by pulling out the AC plug or switching it off at the fuse box.

- ❑ At the same time as you clean the grease filters, clean off any grease from all accessible parts of the housing. This significantly reduces the fire hazard and ensures that the hood performs as effectively as possible.
- ❑ Use a hot detergent solution or a mild window cleaner to clean the canopy of the hood.
- ❑ Do not scrape off any dirt that has dried on but loosen it up with a damp cloth.
- ❑ Do not use abrasive cleaning agents or sponges that could cause scratches.
- ❑ **Note:** Do not use alcohol (spirit) on plastic parts, otherwise the surface may lose its gloss.

Caution: Ensure that the kitchen is adequately ventilated.

⚠ Clean the sliding switch with a soft, damp cloth (mild detergent solution) only. Do not use stainless steel polish on the sliding switch.

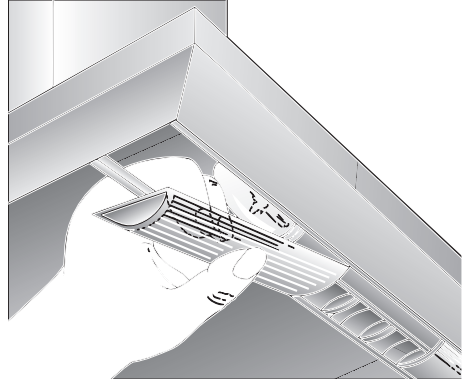
Stainless steel surfaces:

- ❑ Use a mild non-abrasive stainless steel cleaner.
- ❑ Clean the surface in the same direction as it has been ground and polished.

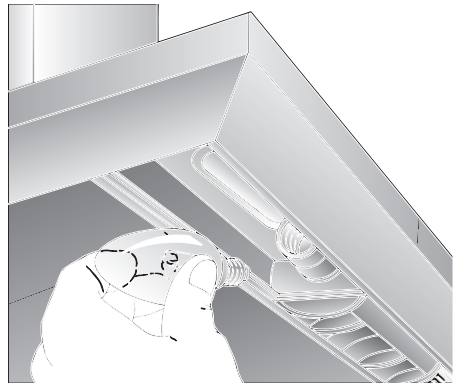
⚠ Do not use any of the following to clean stainless steel surfaces: abrasive sponges, cleaning agents containing sand, soda, acid or chloride!

Replacing the light bulbs

1. Switch off the hood and pull out the mains plug or switch off the electricity supply at the fuse box.
2. Remove the grease filters (see Filters and Maintenance).
3. Press down the bulb cover and disconnect from the light strip.



4. Replace the light bulb (commercially available candle bulbs, max. 40 watt, E12 base).



5. Attach the lamp cover again.
6. Re-insert the grease filters.
7. Plug the appliance into the mains or switch it on at the fuse box.

Installation Instructions:

Important information

⚠ Suitable for use in residential cooking area.

⚠ Always mount the hood over the center of the cooking surface.

⚠ Distance between cooking surface and bottom edge of hood. Should be **min 30"** (Fig. 1).

Additional notes concerning cooking appliances:

⚠ The relevant regulations and installation notes provided by the manufacturer of the gas cooker must be observed in all cases.

⚠ The hood may be installed next to only one full-height cupboard or high wall. Gap to be at least 2".

⚠ **The installation of the hood above gas cooking devices**, at a minimum height of **30"** – Fig. 1 – is permitted provided that the following nominal heat loads (Hs) are not exceeded:

❑ Gas cooktops

Load of one burner	max. 4,5 kW
Load of all burners	max. 14,1 kW

❑ Gas glass-ceramic cooktop

The data on nominal heat loads do not apply to gas glass-ceramic hotplates. Be sure to observe the instructions provided by the manufacturer of the hotplate.

⚠ Always turn hood ON when cooking at high heat.

⚠ Burners should not be operated without an appropriate cooking vessel in place over the burners.

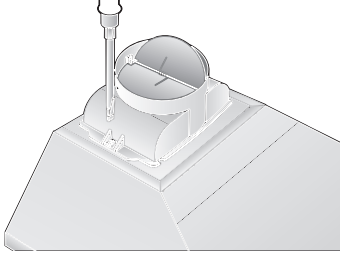
⚠ Your hood has a thermal overload which will automatically shut off the motor if it becomes overheated. The motor will restart when it cools down. If the motor continues to shut off and restart, please have the hood serviced.

⚠ The smaller the gap between hood and cooking appliance, the greater the likelihood that rising steam will cause condensation to form on the hood.

Prior to installation

⚠ The two lightly sprung flaps must be able to move upwards

If the exhaust air is going to be discharged into the open, a telescopic wall box should be fitted into the outside wall.



For optimum hood efficiency:

- Short, smooth air exhaust duct.
- As few bends in the duct run as possible.
- Diameter of duct to be as large as possible and no tight bends in duct run.
- Round pipes:**
We recommend
Internal diameter: **6"**.
- Flat ducts** must have an internal cross-section that equates to that of round pipes.
There should be no sharp bends.
minimum 3¹/₄" x 10" recommended.
- If pipes have different diameters:**
Insert appropriate transition pieces.
- Always** ensure that there is an adequate supply of fresh air.

Connecting a \varnothing 6" exhaust-air pipe:

- Mount the pipe directly onto the air outlet on the hood.

Preparing the wall

- The wall must be flat and perpendicular.
- Ensure that the wall is capable of providing a firm hold for mounting screws and plugs.

Weight in lbs:

30"	28
36"	31

We reserve the right to change specifications or design without prior notice.

Electrical connection

WARNING: THIS APPLIANCE MUST BE CONNECTED TO GROUND

IMPORTANT: Fitting a Different Plug:

The wires in the power lead are coloured in accordance with the following code:

Green	–	Ground
White	–	Neutral
Black	–	Live

If you fit your own plug, the colours of these wires may not correspond with the identifying marks on the plug terminals.

This is what you have to do:

1. Connect the green (Ground) wire to the terminal in the plug marked 'E' or with the symbol (\equiv).
2. Connect the white (Neutral) wire to the terminal in the plug marked 'N'.
3. Connect the black (Live) wire to the terminal marked 'L'.

The hood should only be connected to an earthed socket that has been installed according to relevant regulations.

If possible, site the earthed socket directly behind the chimney panelling.

Electrical data:

Are to be found on the name plate inside the appliance after removal of the filter frame.

⚠ Before undertaking any repairs, always disconnect the hood from the electricity supply.

Length of the connecting cable: 4 ft.

If it is necessary to wire the hood directly into the mains:

The hood should only be connected to the electricity supply by a properly qualified electrician.

A separator must be installed in the household circuit. A suitable separator is a switch that has a contact gap of more than 3 mm and interrupts all poles. Such devices include circuit breakers and contactors.

⚠ If the connecting cable for this appliance is damaged, the cable must be replaced by the manufacturer or his customer service or a similarly qualified person in order to prevent serious injury to the user.

Installation

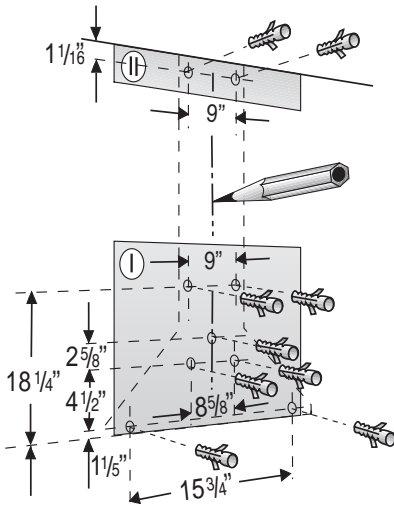
This hood is intended to be mounted onto the kitchen wall.

1. Remove the grease filter (see operating instructions).
2. Draw a line on the wall from the ceiling to the lower edge of the hood at the center of the location where the hood is going to be mounted.
3. Using the template, mark positions on the wall for the screws.

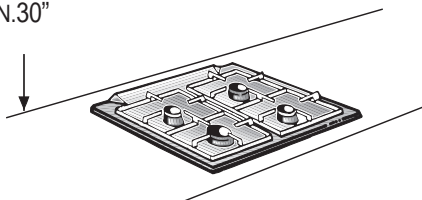
⚠ Ensure that the minimum distance between the cooking surface and the hood is maintained. The bottom edge of the template equates to the lower edge of the hood.

4. Drill 5 holes (dia. $\frac{1}{4}$ ") for the hood and 4 holes (dia. $\frac{1}{4}$ ") for the brackets for fixing the flue ducts and insert wall plugs flush with the wall.

Note: At least one screw must be installed through a stud.

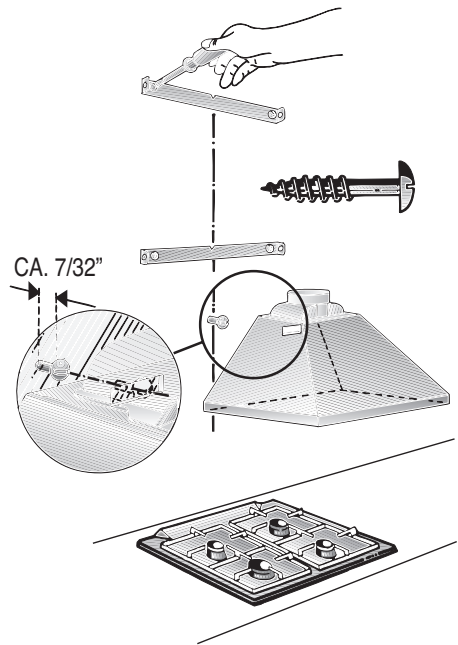


MIN. 30"



Note: Take into account any special accessories that are going to be fitted.

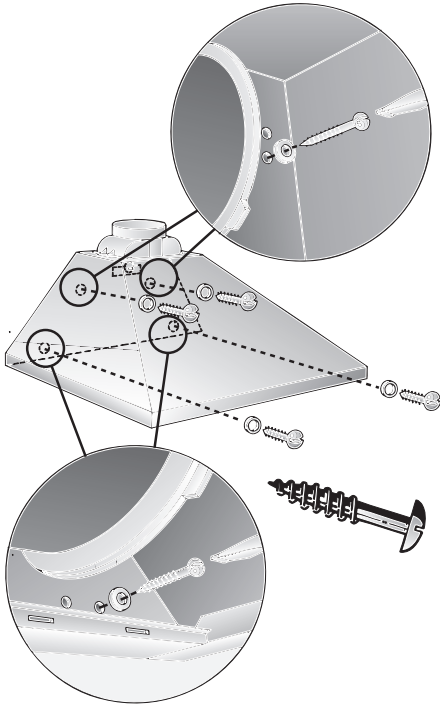
5. Screw on the 2 brackets for fixing the upper and lower flue ducts.
6. In order to help fix the hood onto the wall, screw in the middle screw (without a washer) until it protrudes by approx. $\frac{1}{4}$ ".
7. Hook the hood over the screw in the wall.



Installation

8. Insert the other 4 screws with washers.

⚠ Before the 4 screws are tightened down, align the hood properly.



9. Connect up the air outlet pipe.

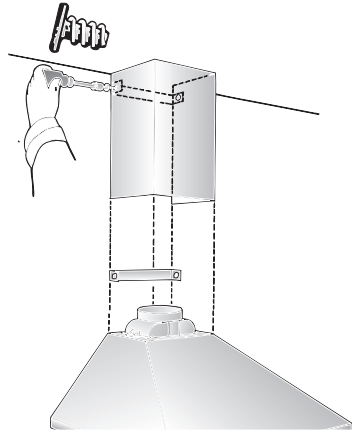
10. Connect the hood to the electricity supply.

11. **Stainless steel model:**

- Remove the protective film from the two flue ducts.

⚠ Avoid damage to the sensitive surface.

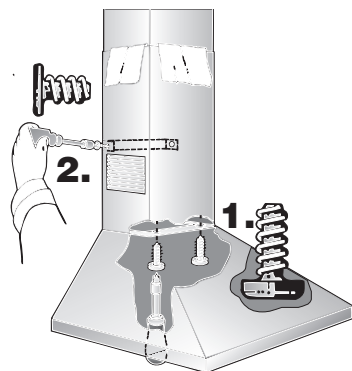
12. Screw the upper flue duct to the sides of the fixing bracket with 2 short screws.



13. Position the lower flue duct on the hood and screw the hood to the flue duct from below with 2 long screws.

⚠ To prevent scratching the upper duct when pushing on the lower duct, cover the edge of the lower duct with the installation template or other protective material.

Then screw the flue duct to the sides of the fixing bracket with 2 short screws.

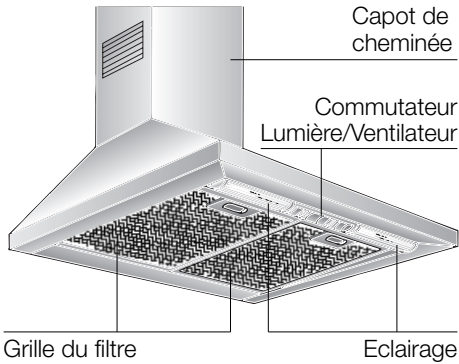


⚠ Before tightening the 2 screws, align the flue duct.

14. Re-insert the grease filter (see operating instructions).

Mode d'emploi:

Description de l'appareil



Dérangements

Si vous avez des questions à poser ou en cas de dérangement, appelez s.v.p. le service après-vente:

1-800-735-4328

Lors de votre appel, veuillez mentionner les numéros suivants:

N° E	FD
------	----

Inscrivez les numéros correspondants de votre hotte dans le cadre ci-dessus. Ces numéros se trouvent à l'intérieur de l'appareil, sur la plaque signalétique accessible une fois la grille de filtre retirée.

Modes de fonctionnement

Air évacué à l'extérieur:

- Le ventilateur de la hotte aspire les buées de cuisson qui traversent un filtre à graisse avant de regagner l'atmosphère extérieure.
- Ce filtre retient les particules grasses solides en suspension dans les buées de cuisson.
- Les particules grasses ne se déposent plus dans la cuisine, les odeurs de cuisson disparaissent.

✂ Si la hotte évacue l'air à l'extérieur et si le logement comporte des moyens de chauffage (tels par ex. des appareils de chauffage au gaz, au fuel ou au charbon, chauffe-eau instantanés ou à accumulation) **raccordés à une cheminée, veuillez impérativement à ce que l'apport d'air soit suffisant** pour assurer la bonne marche du chauffage à combustion.

Un fonctionnement sans risque n'est possible que si la dépression dans le local où le foyer de chauffage est implanté ne dépasse pas 4 Pascals (0,04 mbars).

On y parvient en présence d'ouvertures non obturables telles que par ex. dans les portes, fenêtres, ventouses télescopiques d'admission et d'évacuation de l'air à travers la maçonnerie ou par d'autres mesures techniques telles qu'un verrouillage réciproque ou assimilé permettant à l'air d'affluer pour assurer la combustion.

La présence d'une ventouse télescopique d'apport et d'évacuation d'air ne suffit pas à assurer le respect de la valeur limite.

Remarque: lors de l'évaluation de la situation, tenez toujours compte de l'ensemble des moyens d'aération du logement. Cette règle ne vaut généralement pas si vous utilisez des appareils de cuisson (table de cuisson et cuisinière à gaz).

Si la hotte évacue l'air à l'extérieur, veuillez respecter la réglementation édictée par les pouvoirs publics.

Avant la première utilisation

Remarques importantes:

❑ La présente notice d'emploi vaut pour plusieurs versions de l'appareil. Elle peut contenir des descriptions d'accessoires ne figurant pas dans votre appareil.

❑ Cette hotte aspirante est conforme aux dispositions de sécurité applicables.

Les **réparations** ne doivent être effectuées que par un spécialiste.

Des réparations inexpertes s'assortissent de risques considérables pour l'utilisateur.

❑ Lisez attentivement la présente notice d'emploi avant d'utiliser votre appareil pour la première fois. Elle contient des informations importantes non seulement pour votre sécurité mais aussi pour l'utilisation et l'entretien de l'appareil.

❑ Rangez la présente notice de montage et d'emploi soigneusement pour pouvoir la remettre à un futur propriétaire de l'appareil.

⚠ Si l'appareil est endommagé, sa mise en service est proscrite.

⚠ Le branchement et la mise en service ne doivent être effectués que par un spécialiste.

⚠ Éliminez les matériaux d'emballage conformément à la réglementation (voir la notice de montage).

⚠ Ne faites marcher la hotte aspirante qu'ampoules montées sur leur douille.

⚠ N'utilisez jamais la hotte aspirante sans filtre à graisse.

⚠ Les graisses ou huiles surchauffées peuvent s'enflammer facilement. Par conséquent, surveillez toujours les plats (frites par ex.) qui se préparent à l'aide de matières grasses ou d'huiles.

⚠ Ne flambez aucun mets sous la hotte.
! Les flammes risqueraient d'atteindre le
▪ filtre à graisse et d'y mettre le feu.

⚠ L'utilisation d'une hotte aspirante au-dessus d'un foyer à combustible solide (charbon, bois, etc.) n'est autorisée qu'à certaines conditions (voir la notice de montage).

⚠ Utilisez toujours les foyers au gaz correctement.

Important:

Les flammes produites par les foyers au gaz doivent toujours être recouvertes par la vaisselle de cuisson.

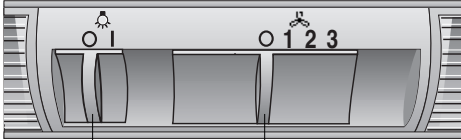
Dans le cas contraire, la hotte aspirante pourrait être endommagée par la chaleur

! intense dégagée par les flammes nues
▪ du foyer.

Utilisation de la hotte aspirante

⚠ La méthode la plus efficace pour supprimer les buées de cuisson consiste à :

- Enclencher la hotte aspirante** en début de cuisson.
- Eteindre la hotte aspirante** quelques seulement minutes après la fin de la cuisson.



Eclairage
Arrêt/Marche

Puissance d'aspiration

Enclenchement:

- Poussez le commutateur droit à curseur jusque sur la puissance d'aspiration désirée.

Coupure:

- Ramenez le commutateur droit à curseur sur la position **0**.

Eclairage:

- Vous pouvez utiliser l'éclairage à tout moment, même quand le ventilateur est éteint.

Filter et entretien

Filteres à graisse:

Vous pouvez utiliser divers filteres pour retenir les particules grasses en suspension dans les buées de cuisson.

Ces nattes filtrantes sont en métal incombustible.

Attention:

Plus elles se saturent en particules grasses et plus elles risquent de s'enflammer. D'autre part, leur saturation risque de gêner le bon fonctionnement de la hotte.

Important:

Prévenez tout risque d'incendie en nettoyant à temps les filteres à graisse en métal. Ce risque est dû à l'accumulation de chaleur pendant la friture ou le rôtiissage.

Filter et entretien

Nettoyage des filteres à graisse en métal:

- En fonctionnement normal (1 à 2 heures par jour), le filtre doit être nettoyé au bout de 8 à 10 semaines.
- Ces filteres sont nettoyables au lave-vaisselle. Ils peuvent changer légèrement de couleur au lavage.

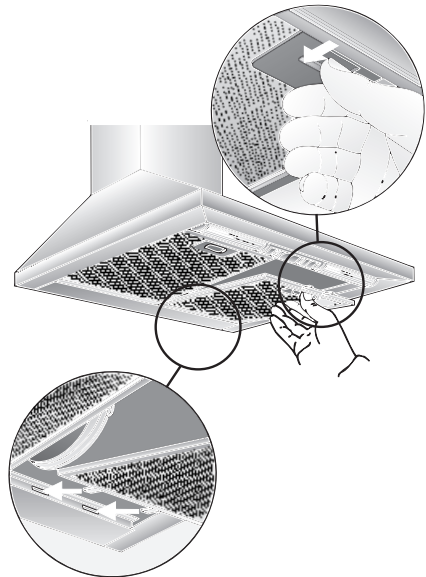
Important:

Ne lavez pas en même temps la vaisselle et les filteres métalliques fortement saturés en matière grasse.

- Si vous les nettoyez à la main, mettez les filteres à tremper pendant plusieurs heures dans de l'eau très chaude additionnée de produit à vaisselle. Ensuite, brossez les filteres, rincez-les bien puis laissez-les gouter.

Retrait et mise en place des filteres à graisse en métal:

1. Poussez dans le sens de la flèche le cran situé contre chaque filtre à graisse puis abaissez les filteres.



2. Nettoyer les filteres à graisse.
3. Une fois nettoyés, remettez les filteres à graisse en place.

Nettoyage et entretien

Avant tout nettoyage et entretien, mettez d'abord la hotte hors tension en débranchant la fiche mâle de la prise de courant ou en coupant le disjoncteur/fusible.

- ❑ Lors du nettoyage des filtres à graisse, nettoyez la graisse qui s'est déposée dans les endroits accessibles du corps de hotte. Vous prévenez ainsi les risques d'incendie et garantisiez ainsi un fonctionnement optimal de la hotte.
- ❑ Pour la nettoyer, utilisez de l'eau chaude additionnée de produit à vaisselle ou un liquide non agressif à laver les fenêtres.
- ❑ Ne tentez pas de gratter les salissures. Ramollissez-les avec un essuie-tout humide.
- ❑ N'utilisez pas de produits récurants ni d'éponges à dos abrasif.
- ❑ **Remarque:** ne nettoyez pas les surfaces en plastique avec de l'alcool (à brûler) car des taches mates pourraient apparaître.

Prudence: ventilez suffisamment la cuisine, n'utilisez jamais de flamme nue.

⚠ Veuillez ne nettoyer le commutateur à curseur qu'au moyen d'un chiffon doux et humide (contenant un peu d'eau additionnée de produit à vaisselle). Pour nettoyer le commutateur à curseur, n'utilisez pas de détergent pour les surfaces en acier.

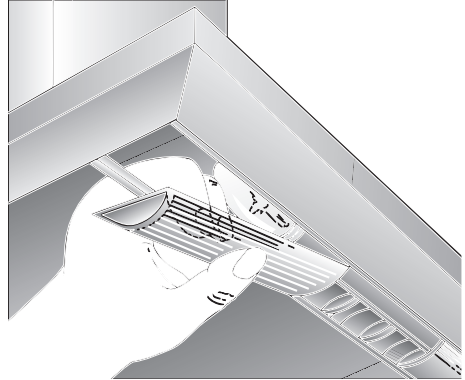
Surfaces en acier inox:

- ❑ Veuillez utiliser un produit pour l'acier inox qui le nettoie sans le rayer.
- ❑ Frottez toujours l'acier inox dans le sens de son polissage.

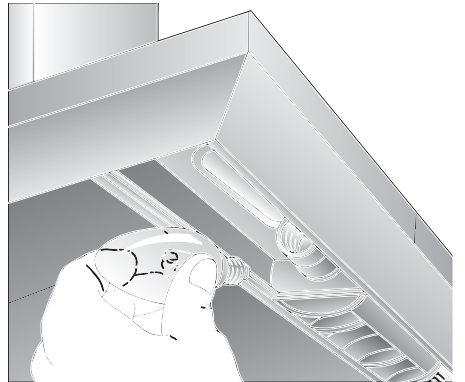
⚠ Ne nettoyez jamais les surfaces en acier inox avec des éponges à dos récurant, et pas non plus avec des détergents à base de sable, soude caustique, acide ou chlore.

Changement du tube au néon

1. Avant tout nettoyage et entretien, mettez d'abord la hotte hors tension en débranchant la fiche mâle de la prise de courant ou en coupant le disjoncteur/fusible.
2. Démontez les filtres à graisse (voir la section intitulée "Filtre et entretien").
3. Par le haut, décrantez le cache d'éclairage hors du bandeau lumineux.



4. Changez l'ampoule (ampoule-bougie en vente habituelle dans le commerce, 40 watts maxi., socle E12).



5. Remettez le cache de l'éclairage en place.
6. Remontez les filtres à graisse.
7. Pour remettre la hotte sous tension, rebranchez la fiche mâle dans la prise de courant ou remontez le fusible/réarmez le disjoncteur.

Remarques importantes

⚠ Fixez toujours la hotte bien centrée au-dessus des foyers de la table de cuisson.

⚠ L'écart minimum entre les foyers électriques et le bord inférieur de la hotte doit être de **min. 30"**, voir fig. 1.

Remarques supplémentaires concernant les cuisinières à gaz:

⚠ Respectez les prescriptions et consignes d'encastrement en leur version applicable publiées par les fabricants d'appareils au gaz.

⚠ La hotte aspirante ne pourra côtoyer que sur un côté un meuble haut ou une paroi haute. Ecart minimum: 2".

⚠ Le montage de la hotte aspirante à la distance minimum de **30" au-dessus de foyers au gaz** (voir fig. 1) n'est admis que si les charges thermiques nominales ci-dessous ne sont pas dépassées:

❑ **Tables de cuisson au gaz**

Charge thermique d'un

foyer 4,5 kW maxi.

Charge thermique de tous

les foyers 14,1 kW maxi.

❑ **Tables de cuisson vitrocéramique au gaz**

Les charges thermiques nominales indiquées ci-dessus ne valent pas pour les tables de cuisson uniformément en vitrocéramique. Veuillez impérativement respecter les indications publiées par le fabricant de la table de cuisson vitrocéramique.

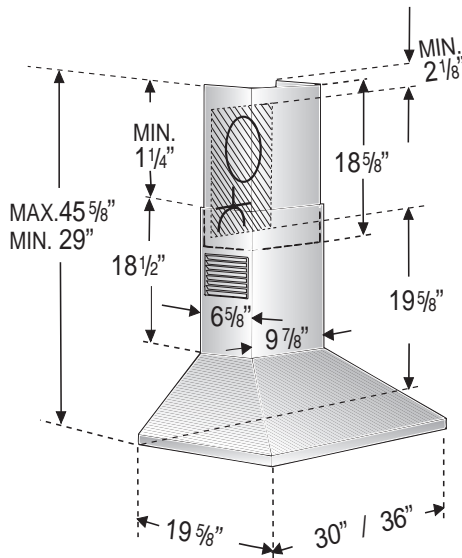
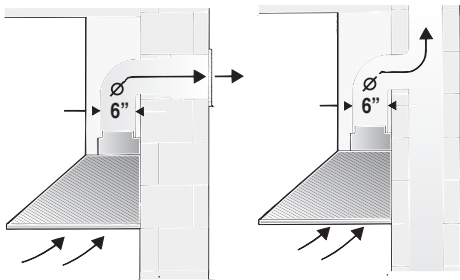
❑ **Cuisinières à combustible solide**

Les charges thermiques nominales maximales et la distance minimum à respecter valent comme pour les cuisinières à gaz.

⚠ Plus l'écart est faible entre la hotte aspirante et les foyers et plus il se pourra que la vapeur montant des casseroles se condense et forme des gouttes sur la face inférieure de la hotte.

Avant le montage

Evacuation de l'air à l'extérieur



L'air vicié est évacué vers le haut par un conduit d'aération ou directement à l'air libre par traversée du mur extérieur.

☞ L'air vicié ne doit jamais être évacué vers une cheminée en service, rejetant des fumées ou des gaz de combustion, ni vers un conduit servant à l'aération de locaux dans lesquels se trouvent des foyers à combustibles solides, liquides et gazeux.

Si l'air vicié doit être évacué par des cheminées d'évacuation des fumées et gaz de combustion qui ne sont pas en service, veuillez respecter la réglementation locale et nationale applicable.

☞ **Si la hotte évacue l'air à l'extérieur et si le logement comporte des moyens de chauffage** (tels par ex. des appareils de chauffage au gaz, au fuel ou au charbon, chauffe-eau instantanés ou à accumulation) **raccordés à une cheminée, veiller impérativement à ce que l'apport d'air soit suffisant** pour assurer la marche du chauffage à combustion.

Un fonctionnement sans risque est possible si la dépression dans le local où le foyer de chauffage est implanté ne dépasse pas 4 Pascals (0,04 mbars).

On y parvient en présence d'ouvertures non obturables ménagées par ex. dans les portes, fenêtres, ventouses télescopiques d'admission/évacuation de l'air à travers la maçonnerie ou par d'autres mesures techniques telles qu'un verrouillage réciproque ou assimilé permettant à l'air d'affluer pour assurer la combustion.

La présence d'une ventouse télescopique d'apport et d'évacuation d'air ne suffit pas à assurer le respect de la valeur limite.

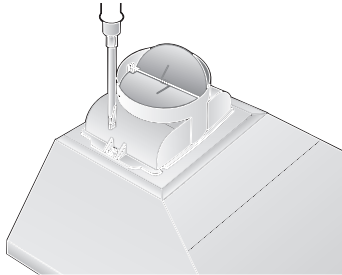
Remarque: lors de l'évaluation de la situation, toujours tenir compte de l'ensemble des moyens d'aération du logement. Cette règle ne vaut généralement pas si vous utilisez des appareils de cuisson (table de cuisson et cuisinière à gaz).

Si la hotte évacue l'air à l'intérieur, veuillez respecter la réglementation édictée par les pouvoirs publics.

Avant le montage

⚠ Les deux volets doivent se laisser déplacer vers le haut sans résister, avec un léger amorti.

Si l'air vicié traverse le mur extérieur, utilisez une ventouse télescopique.



Pour que la hotte aspirante ait le meilleur rendement, veillez à ce que:

- Le conduit d'évacuation soit court et lisse.
- Il ait le moins possible de coudes.
- Il ait le plus fort diamètre et que les coudes soient les plus arrondis possibles.
- Conduits de section ronde:**
Nous recommandons des conduits au diamètre intérieur de **6"**.
- Les conduits plats** doivent avoir une **section intérieure équivalente** au diamètre intérieur des conduits ronds. $3\frac{1}{4}'' \times 10''$.
- Si les conduits ont des diamètres différents:** utilisez du ruban adhésif à étancher.
- Si la hotte évacue l'air à l'extérieur,** veillez à ce que l'apport d'air soit suffisant.

Branchement du conduit d'évacuation ϕ 6":

- Fixez le conduit d'évacuation directement sur l'orifice.

Préparation du mur

- Le mur doit être bien plat et vertical.
- Utilisez des chevilles pour assurer une retenue ferme.

Branchement électrique

La fiche mâle de la **hotte aspirante** ne pourra être branchée que dans une prise secteur à contacts de terre réglementairement posée. Installer cette prise autant que possible directement derrière le capotage de la hotte.

Caractéristiques électriques:

Vous les trouverez après avoir retiré le cadre pour filtre, sur la plaque signalétique, à l'intérieur de l'appareil.

⚠ Toujours mettre l'appareil hors tension **avant d'effectuer des réparations.**

Longueur du cordon de branchement: 4 ft.

Si le cordon doit être raccordé définitivement au secteur:

Dans ce cas, le branchement de la hotte ne pourra être effectué que par un électricien-installateur agréé auprès de la compagnie locale/nationale distributrice d'électricité.

Prévoir un dispositif de coupure côté secteur. Valent comme tel les commutateurs dont l'ouverture entre contacts dépasse 3 mm et qui sectionnent tous les pôles. Figurent parmi eux également les disjoncteurs et contacteurs.

⚠ Si le cordon d'alimentation de cet appareil a été endommagé, il faut confier son remplacement au fabricant ou à son service après-vente, ou encore à une personne possédant des qualifications identiques, pour éviter de créer des risques.

Poids en lbs:

30"	28
36"	31

Sous réserve de modifications constructives dans l'intérêt du progrès technique.

Encastrement

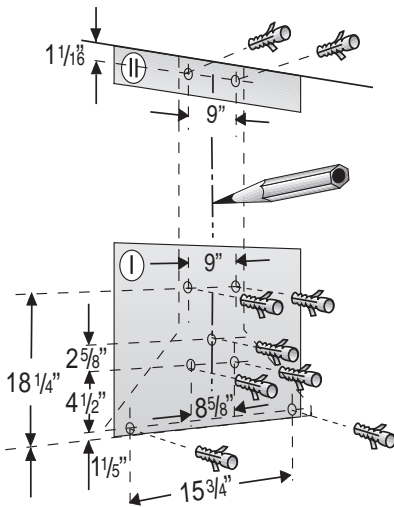
Cette hotte aspirante est prévue pour le montage contre le mur de la cuisine.

1. Retirez les filtres à graisse (voir le mode d'emploi de la hotte).
2. Sur le mur, tracez une ligne médiane allant du plafond jusqu'au bord inférieur de la hotte aspirante.
3. A l'aide du gabarit, marquez les positions des vis sur le mur.

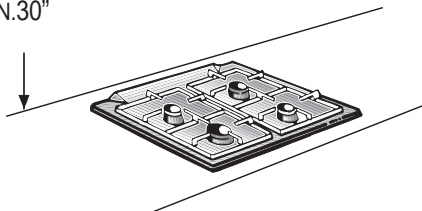
⚠ Respecter l'écart minimum entre les foyers et la hotte aspirante. Le bord inférieur du gabarit représente le bord inférieur de la hotte aspirante.

4. Percez 5 trous de fixation pour la hotte aspirante et 4 trous pour les cornières qui retiendront les capots de cheminée. Ces trous font $\frac{1}{4}$ " de diamètre. Enfoncez les chevilles à ras du mur.

Remarque: au moins une vis doit être installée dans un montant.

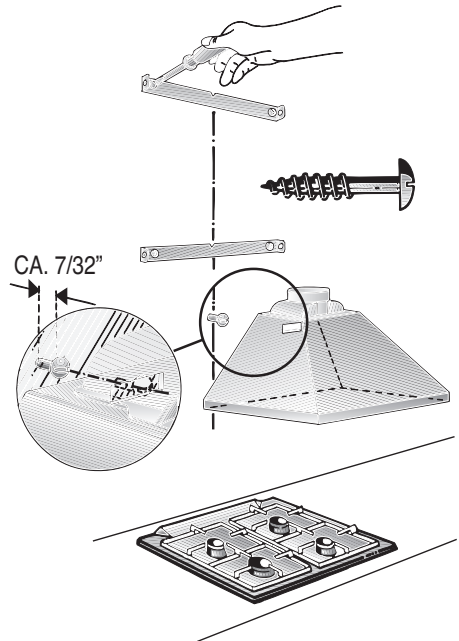


MIN.30"



Remarque: rappelez-vous que vous aurez peut-être des accessoires spéciaux à monter.

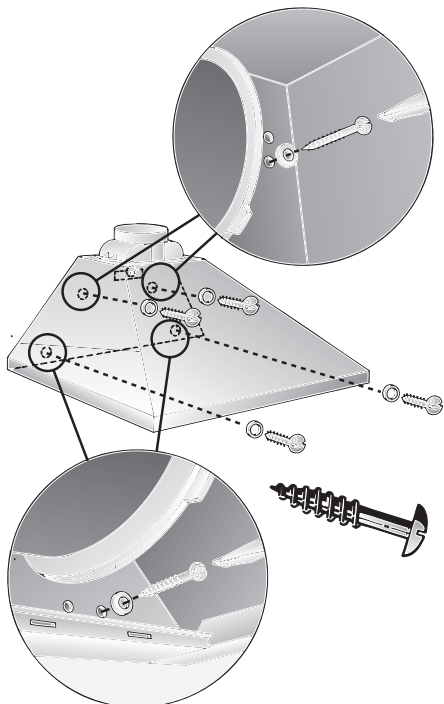
5. Vissez en bas et en haut les 2 cornières qui retiendront les capots de cheminée.
6. La vis médiane (sans rondelle intercalaire) sert d'accessoire pour fixer la hotte; la visser jusqu'à $\frac{1}{4}$ " env.
7. Accrocher la hotte aspirante par la vis.



Encastrement

8. Visser les 4 vis restantes avec leurs rondelles.

⚠ Avant de visser ces 4 vis à fond, ajuster la hotte aspirante en position.



9. Raccorder la hotte aux tuyaux.

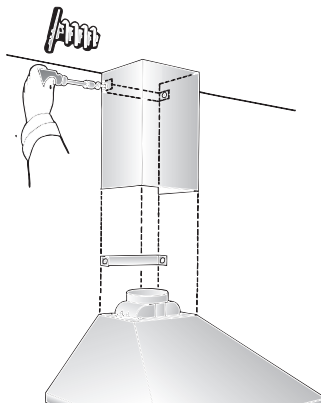
10. Effectuer le branchement électrique de la hotte.

11. Version en acier inox:

- Retirez la pellicule de plastique protégeant les deux capots en inox.

⚠ Evitez d'endommager les surfaces fragiles.

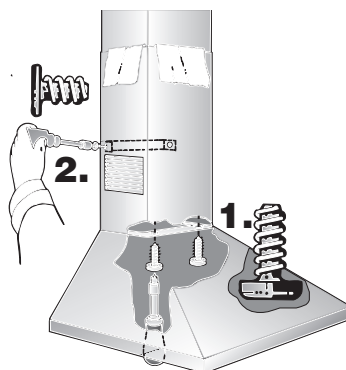
12. A l'aide de 2 vis courtes, visser le capot supérieur de cheminée contre la cornière de retenue.



13. Poser le capot inférieur de cheminée sur la hotte aspirante puis, à l'aide de 2 vis longues, le fixer par le bas contre la hotte aspirante.

⚠ Evitez de rayer les capots en inox au moment de les monter. Utilisez par ex. le gabarit de montage pour protéger les arêtes du capot inférieur de cheminée.

Ensuite, à l'aide de 2 vis courtes, visser latéralement le capot de cheminée contre la cornière de retenue.

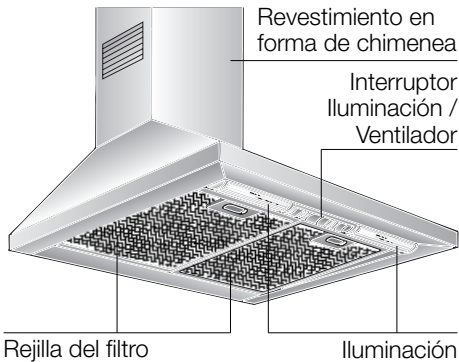


⚠ Avant de visser les 2 vis à fond, alignez bien les capots entre eux et par rapport à la hotte.

14. Remettez les filtres à graisse en place (voir le mode d'emploi de la hotte).

Instrucciones para el uso:

Descripción del aparato



Averías y perturbaciones

En caso de consultas o averías de la campana extractora, no dude en llamar al Servicio de Asistencia Técnica:

1-800-735-4328

Para cualquier consulta deberán indicarse los números de producto y de fabricación:

Nº E	FD
------	----

Anote los números correspondientes a su aparato en los espacios correspondientes. Los números figuran en la placa de características, a la que se accede tras desmontar la rejilla del filtro dentro de la campana extractora.

Modalidades de funcionamiento

Evacuación del aire hacia el exterior:

- El ventilador que incorpora la campana extractora aspira los vahos de la cocina y los evacúa hacia el exterior, haciéndolos pasar previamente a través del filtro antigrasa.
- El filtro antigrasa absorbe las partículas sólidas contenidas en los vahos de la cocina.
- La cocina queda así prácticamente libre de grasa y olores.

Si se utiliza la campana con evacuación del aire al exterior simultáneamente con un hogar dependiente de una chimenea (por ejemplo calefacciones de gas, gas-oil o carbón, calentadores instantáneos, calentadores de agua), **hay que procurar que exista una suficiente alimentación de aire**, necesario para el proceso de combustión del hogar.

Este funcionamiento es posible sin peligro si en el local de emplazamiento del hogar no se sobrepasa la depresión admisible de 4 Pa (0,04 mbares).

Esto se puede lograr a través del libre acceso del aire de combustión a través de unas aberturas sin posibilidad de cierre ni bloqueo, por ejemplo puertas, ventanas, cajas murales para alimentación y evacuación de aire u otras medidas técnicas como bloqueos recíprocos.

La sola presencia de una caja mural para alimentación o evacuación del aire, sin embargo, no constituye una garantía para la observación de los límites de tolerancia válidos.

Nota: En las consideraciones y valoraciones a este respecto siempre habrá que tener en cuenta todo el conjunto del sistema de ventilación existente en la vivienda. Esta regla no es válida para las cocinas y placas de cocción de gas.

Asimismo deberán observarse estrictamente las disposiciones y normas nacionales vigentes al respecto.

Antes de la primera utilización

Antes de la puesta en marcha inicial del aparato:

- ❑ Las presentes instrucciones de servicio son válidas para diferentes modelos de aparato; por ello puede ser posible que se describan detalles y características de equipamiento que no concuerden íntegramente con las de su aparato concreto.
- ❑ Esta campana extractora cumple las normas y disposiciones específicas en materia de seguridad.

Las reparaciones que fuera necesario efectuar en el aparato sólo podrán ser ejecutadas por técnicos especializados del ramo.

Las reparaciones ejecutadas de modo erróneo o incorrecto pueden dar lugar a situaciones de serio peligro para el usuario.

- ❑ Antes de emplear el aparato nuevo deberá leer detenidamente las instrucciones de servicio de la cocina eléctrica. En ella se facilitan informaciones y consejos importantes para su seguridad personal, así como para el correcto manejo y cuidado de la cocina.
- ❑ Guarde las instrucciones de servicio y de montaje para un posible propietario posterior.

⚠ Si el aparato presentara daños o desperfectos, no deberá ser utilizado.

⚠ La conexión y puesta en marcha del aparato sólo podrán ser efectuadas por un técnico especialista del ramo.

⚠ Elimine los envases y el material de embalaje de acuerdo a las normas correspondientes para la protección del medio ambiente (véanse al respecto las instrucciones de montaje de la campana extractora).

⚠ Utilizar la campana extractora sólo con las lámparas de iluminación montadas.

⚠ No usar nunca la campana extractora sin incorporar el filtro antigrasa.

⚠ Las grasas y aceites calentados excesivamente pueden inflamarse rápidamente. Por ello los alimentos o platos que requieran grasa o aceite caliente, como por ejemplo patatas fritas, etc., sólo deberán prepararse bajo vigilancia.

⚠ No preparar alimentos o platos flameados directamente debajo de la campana extractora.

La grasa acumulada en el filtro antigrasa podría incendiarse por las llamas que suben!

⚠ El montaje de la campana extractora por encima de hogares para combustibles sólidos (carbón, leña, etc.) sólo está permitido si ésta cumple una serie de condiciones restrictivas (véanse al respecto las instrucciones de montaje de la campana extractora).

⚠ Utilizar los quemadores de gas correctamente.

Importante:

Las llamas de los quemadores de gas deberán encontrarse siempre cubiertas con un recipiente.

El fuerte calor desprendido por las llamas de gas podría ocasionar desperfectos de consideración en la campana extractora!

Manejo de la campana extractora

⚠ La manera más eficaz de absorber los vahos producidos en la cocina durante la preparación de los alimentos es:

- Conectando la campana extractora** al comenzar a trabajar.
- Desconectando la campana extractora** al cabo de unos minutos después de haber concluido los trabajos.



Conexión /
Desconexión
de la iluminación

Escalones de fun-
cionamiento del
ventilador

Conectar el ventilador:

- Desplazar el mando derecho hasta alcanzar el escalón de potencia del ventilador deseado.

Desconectar el ventilador:

- Desplazar el mando derecho hasta la posición «0».

Iluminación:

- La iluminación se puede conectar en cualquier momento, con independencia de que el ventilador funcione o no.

Filtros y mantenimiento

Filtro antigrasa:

Para retener las partículas de grasa contenidas en el vaho de la cocina se montan filtros metálicos.

Las esterillas de filtro son de metal antiinflamable.

¡Atención!

A medida que crece el grado de saturación de la esterilla de filtro con partículas de grasa, aumenta su inflamabilidad, influyendo negativamente en el funcionamiento de la campana.

¡Importante!:

La limpieza a tiempo de los filtros metálicos, eliminando las partículas de grasa adheridas en el mismo, puede prevenir el peligro de incendio a causa de una acumulación de calor al freír o asar alimentos.

Filtros y mantenimiento

Limpieza del filtro antigrasa metálico:

- En caso de un servicio normal (de 1 a 2 horas diarias) debe cambiarse el filtro metálico de grasa después de 8 a 10 semanas.
- Los filtros antigrasa metálicos se pueden limpiar en un lavavajillas. Ello puede dar lugar a una ligera decoloración de los mismos.

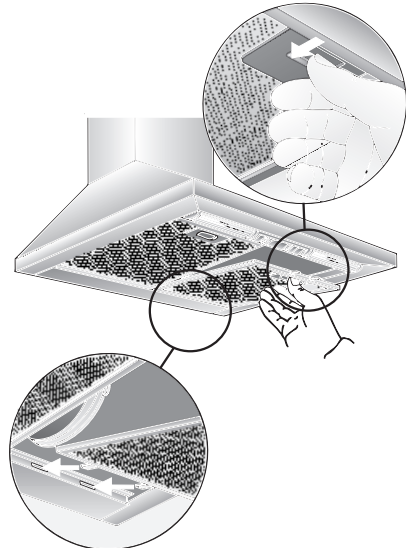
Importante:

No mezclar con la vajilla normal los filtros antigrasa metálicos muy saturados de grasa.

- En caso de limpiar los filtros metálicos a mano, colocar la caja del filtro durante varias horas en una solución detergente (para vajilla) muy caliente, para reblandecer la grasa adherida. Limpiarlos a continuación con un cepillo, enjuagarlos bien y dejarlos escurrir.

Desmontar y montar los filtros antigrasa metálicos:

1. Presionar el enclavamiento de los filtros antigrasa en dirección a la flecha. Abatir los filtros antigrasa hacia abajo.



2. Limpiar los filtros.
3. Montar los filtros limpios en su sitio.

Limpieza y cuidados

Desconectar la campana extractora de la red eléctrica extrayendo el cable de conexión de la toma de corriente o a través del fusible.

- ❑ Al limpiar los filtros antigrasa, limpiar la grasa acumulada en los puntos accesibles del cuerpo de la campana extractora. De este modo se previene el peligro de que se inflamen los restos de grasa antiguos y la campana conserva óptimo funcionamiento.
- ❑ Utilizar una solución de agua y agente lavavajillas de uso corriente caliente para limpiar la campana extractora.
- ❑ En caso de suciedad más resistente y fuertemente acumulada, utilizar un agente limpiacristales suave.
- ❑ No rascar la suciedad reseca acumulada. Reblandézcala primero aplicando sobre la misma un paño húmedo. No utilizar agentes o esponjas abrasivos.
- ❑ **Atención:** No limpiar las superficies y elementos de plástico con alcohol de quemar, dado que podrían producirse zonas o puntos de color mate.

Atención: Procurar una buena ventilación de la cocina. ¡No trabajar con llamas abiertas!

⚠ Limpiar el mando desplazable del ventilador sólo con un paño suave y húmedo (usar una solución de agua y agente lavavajillas suave). ¡No usar limpiadores de acero para limpiar el mando desplazable!

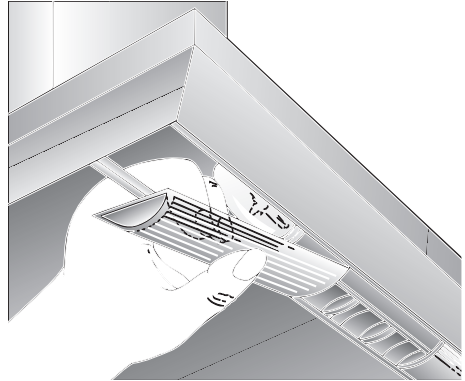
Superficies de acero inoxidable:

- ❑ Usar un limpiador para acero inoxidable suave, no abrasivo.
- ❑ Limpiar el metal sólo en dirección al pulido.

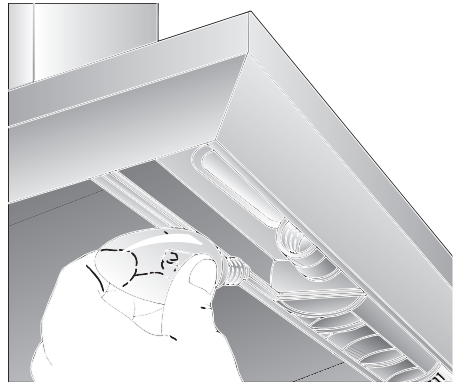
⚠ ¡No limpiar las superficies de acero inoxidable con esponjas abrasivas! ¡No emplear detergentes que contengan arena, sosa, ácidos o cloruro!

Sustituir las lámparas

1. Desconectar la campana extractora de la red eléctrica, extrayendo el cable de conexión de la toma de corriente o a través del fusible.
2. Desmontar los filtros antigrasa (véase el capítulo «Filtros y mantenimiento»).
3. Desencajar desde arriba el recubrimiento protector de la lámpara del listón de luz.



4. Sustituir la lámpara. (Lámpara de vela de uso corriente, máx. 40 W, portalámparas E 12).



5. Volver a colocar el recubrimiento en su sitio.
6. Montar los filtros antigrasa en su emplazamiento.
7. Restablecer la alimentación de corriente introduciendo el cable de conexión en la toma de corriente o a través del fusible.

Instrucciones de montaje:

Advertencias importantes

⚠ Montar la campana extractora siempre por encima del centro de las zonas de cocción o los quemadores (según el tipo de cocina que se utilice).

⚠ La distancia mínima a observar entre las zonas de cocción (de una placa o cocina eléctrica) y el borde inferior de la campana es de **min. 30"** (Fig. 1).

Advertencias adicionales relativas a las cocinas de gas:

⚠ Respetar las normas y disposiciones, así como las instrucciones y consejos de montaje facilitadas por los fabricantes de las cocinas y aparatos de gas.

⚠ Esta campana extractora sólo deberá montarse con un lateral junto a un armario o pared alta. Distancia mínima a observar: 2".

⚠ El montaje de las **campanas extractoras** por encima de una cocina o placa de cocción de gas sólo está permitido si se observa una distancia mínima de **30"** (Fig. 1) y no se superan las siguientes cargas térmicas nominales:

❑ Placas de cocción (encimeras) de gas

Carga térmica de un quemador de gas máx. 4,5 kW
Carga térmica de todos los quemadores de gas máx. 14,1 kW

❑ Placas (encimeras) vitrocerámicas de gas

Los valores acerca de la carga térmica nominal no son válidos para las placas vitrocerámicas de gas. Por lo tanto, es imprescindible observar las referencias que facilite el fabricante de la placa vitrocerámica.

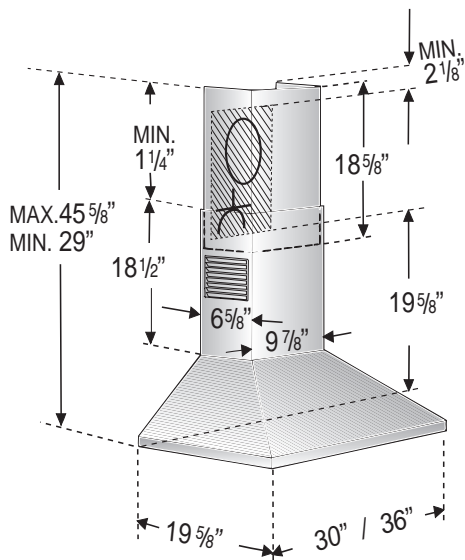
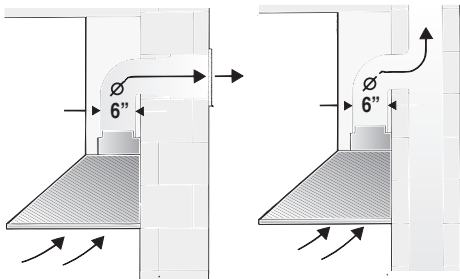
❑ Cocinas para combustibles sólidos

Para este tipo de cocinas rigen los mismos valores que para las cocinas de gas en cuanto a la carga térmica admisible y la mínima distancia a observar.

⚠ Cuanto menor sea la distancia entre la campana extractora y los quemadores, mayor posibilidad existe de que se formen gotas de agua en la parte inferior de la campana extractora debidas a la condensación del vapor de agua.

Antes del montaje

Funcionamiento con evacuación del aire al exterior



El aire de evacuación pasa a través de un túnel de ventilación hacia arriba o directamente hacia el exterior, a través de la correspondiente pared.

☞ El aire de evacuación no debe pasar a ninguna chimenea de humos o gases de escape en servicio, ni tampoco a túneles de ventilación de locales con hogares.

En caso de hacer pasar el aire de evacuación de la campana a una chimenea de humos o gases de escape fuera de servicio, deberá consultarse con el deshollinador del distrito competente, observando asimismo las normas y disposiciones nacionales vigentes.

☞ **Si se utiliza la campana con evacuación del aire al exterior simultáneamente con un hogar dependiente de una chimenea** (por ejemplo calefacciones de gas, gas-oil o carbón, calentadores instantáneos, calentadores de agua), **hay procurar que exista una suficiente alimentación de aire**, necesario para el proceso de combustión del hogar.

Este funcionamiento es posible sin peligro si en el local de emplazamiento del hogar no se sobrepasa la depresión admisible de 4 Pa (0,04 mbares).

Esto se puede lograr a través del libre acceso del aire de combustión a través de unas aberturas sin posibilidad de cierre ni bloqueo, por ejemplo puertas, ventanas, cajas murales para alimentación y evacuación de aire u otras medidas técnicas como bloqueos recíprocos.

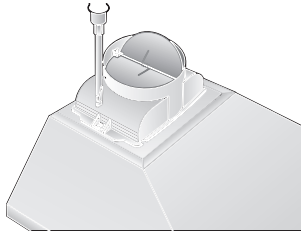
La sola presencia de una caja mural para alimentación o evacuación del aire, sin embargo, no constituye una garantía para la observación de los límites de tolerancia válidos.

Nota: En las consideraciones y valoraciones a este respecto siempre habrá que tener en cuenta todo el conjunto del sistema de ventilación existente en la vivienda. Esta regla no es válida para las cocinas y placas de cocción de gas.

Antes del montaje

⚠ Las dos trampillas deberán poder desplazarse hacia arriba con un ligero movimiento elástico.

Si el aire es evacuado pasando a través de la pared exterior, deberá utilizarse una caja mural telescópica.



Condiciones necesarias para lograr la óptima potencia y rendimiento de la campana extractora:

- Tubo de evacuación corto y liso.
- Menor número de codos posible.
- Usar en lo posible tubos de gran diámetro, así como codos de gran tamaño.
- Tubos redondos:**
Se aconseja emplear tubos con un diámetro interior **6"**.
- Los canales planos** deberán poseer una sección interior equivalente a la de los tubos redondos.
No deben presentar ángulos demasiado agudos.
3 1/4" x 10".
- En caso de usar tubos con diferentes diámetros:**
Colocar una tira estanqueizante.
- Al trabajar con sistema de evacuación **del aire al exterior:** Procurar una suficiente alimentación de aire.

Conexión de los tubos de evacuación

Tubo con diámetro de 6":

- Fijar directamente el tubo de evacuación el aire en el racor de empalme.

Preparativos en la pared

- La pared tiene que ser lisa y vertical.
- Procurar un asiento firme de los tacos en la pared.

Conexión eléctrica

La campana extractora sólo podrá conectarse a una toma (caja) de corriente provista de puesta a tierra. La toma de corriente deberá encontrarse o montarse directamente detrás del revestimiento decorativo de la campana.

Características eléctricas:

figuran en la placa de características que es accesible después de quitar los marcos de filtro, en la parte interior del aparato.

⚠ En caso de reparación de la campana deberá desconectarse siempre el aparato de la red eléctrica, antes de iniciar los trabajos correspondientes.

Longitud del cable de conexión a la red eléctrica: 4 ft.

En caso de necesitar una conexión fija a la red eléctrica:

El aparato sólo deberá ser conectado a la red eléctrica por un instalador-electricista registrado como tal en la empresa de abastecimiento de energía eléctrica de la zona. Como dispositivo de separación se admiten interruptores con una abertura de contacto superior a 3 mm y desconexión de todas las fases. Esto incluye interruptores LS y contactores.

⚠ En caso de producirse daños en el cable de conexión del aparato, éste sólo podrá ser sustituido por el fabricante, un técnico especializado del Servicio de Asistencia Técnica Oficial o un técnico especializado del ramo, a fin de evitar situaciones de peligro.

Peso en lbs:

30"	28
36"	31

Nos reservamos el derecho de introducir modificaciones o cambios constructivos en los aparatos como consecuencia del progreso técnico.

Montaje

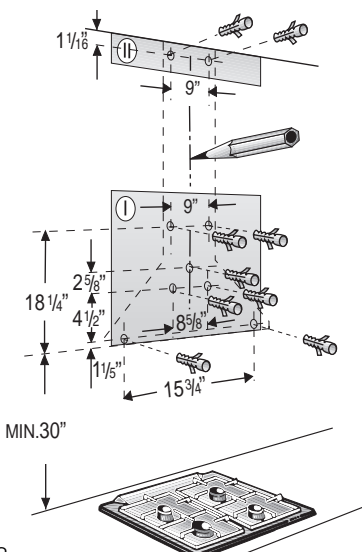
Esta campana extractora ha sido diseñada exclusivamente para su montaje en la pared.

1. Retirar el filtro antigrasa (véanse al respecto las instrucciones de uso de la campana).
2. Trazar en la pared una línea medial desde el techo hasta el borde inferior de la campana extractora.
3. Marcar en la pared, con ayuda de la plantilla suministrada con el aparato, la posición de los tornillos de sujeción.

⚠ Entre la placa de cocción y el borde inferior de la campana extractora debe observarse la siguiente distancia mínima de seguridad. El borde inferior de la plantilla de montaje corresponde al borde inferior de la campana extractora.

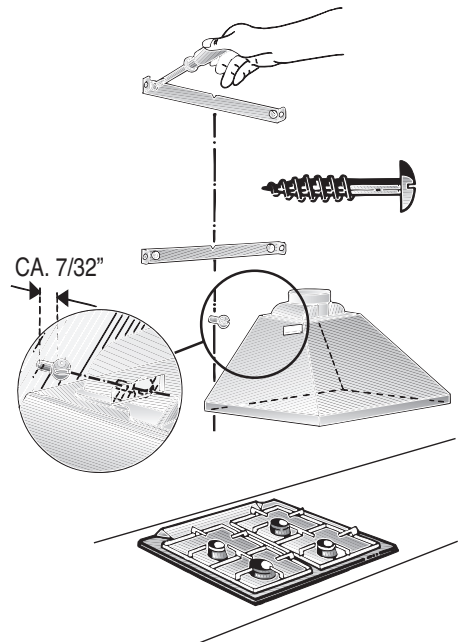
4. Practicar 5 taladros para los tornillos de sujeción del cuerpo de la campana extractora, y cuatro para fijar los soportes del revestimiento de la chimenea, con diámetro $\frac{1}{4}$ ". Colocar en los mismos los tacos correspondientes, prestando atención a que los tacos queden perfectamente a ras con la pared.

Nota: Se debe instalar al menos un tornillo a través de un perno sin cabeza.



Atención: ¡Ténganse en cuenta los posibles accesorios opcionales que se vayan a montar con la campana extractora!

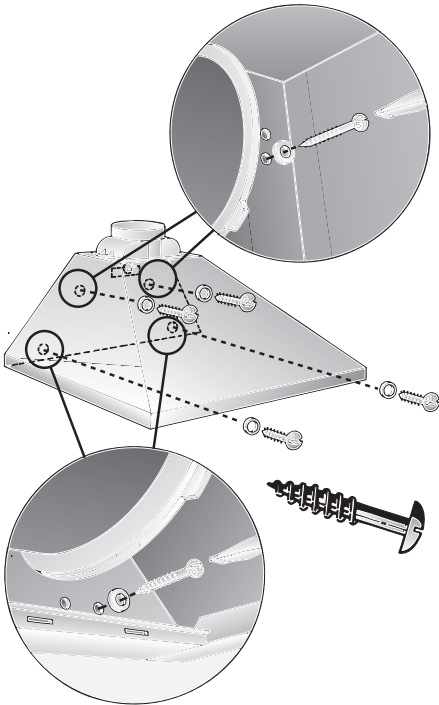
5. Montar y fijar con tornillo las escuadras de soporte para el revestimiento de la chimenea en posición superior e inferior.
6. Usar el tornillo central (sin arandela) como ayuda de montaje para la sujeción de la campana extractora, enroscándolo en el taco hasta unos $\frac{1}{4}$ " de profundidad.
7. Enganchar el cuerpo de la campana extractora en el tornillo de sujeción preparado.



Montaje

8. Montar los cuatro tornillos de sujeción restantes de la campana extractora con arandelas, sin apretarlos a tope.

⚠ ¡Antes de apretar a tope los tornillos de sujeción de la campana, hay que alinear ésta!.

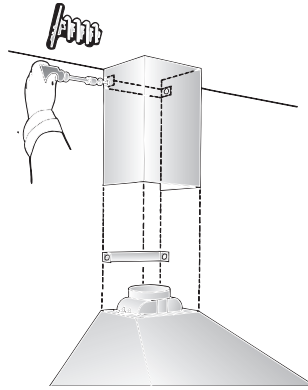


9. Empalmar el tubo de evacuación del aire en la campana extractora.
10. Conectar el aparato a la red eléctrica.
11. **Puntos a observar en los modelos de acero inoxidable:**

- Retirar la lámina protectora de los revestimientos laterales de la chimenea.

⚠ Evite que se produzcan daños sobre las superficies sensibles.

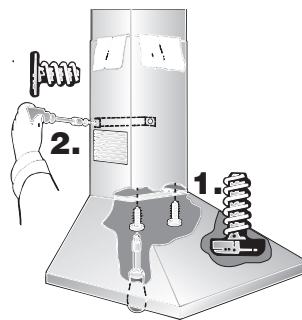
12. Fijar el revestimiento superior de la chimenea con dos tornillos cortos lateralmente a la escuadra de soporte.



13. Montar la parte inferior del revestimiento de la chimenea sobre la campana extractora. Fijarlo con dos tornillos largos, por abajo, a la campana extractora.

⚠ ¡Evite los rasguños al montar los revestimientos en forma de chimenea, protegiendo con la plantilla de montaje el borde del elemento inferior del revestimiento.

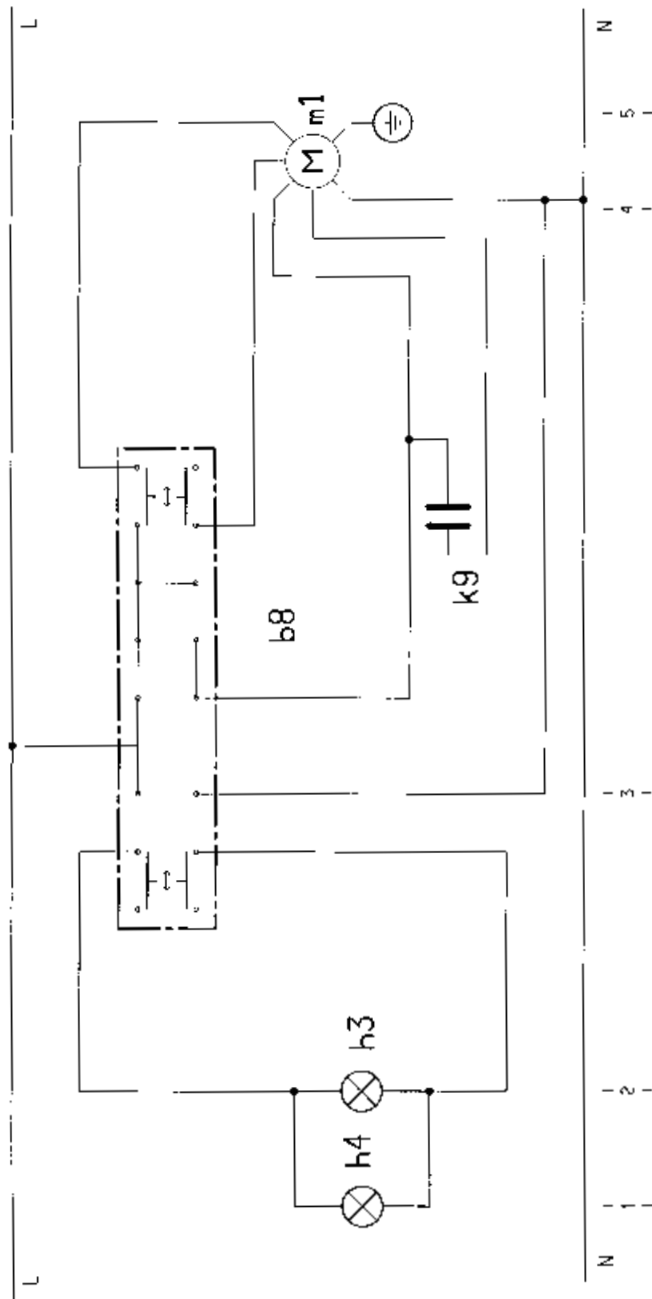
Fijar a continuación el revestimiento de la chimenea con dos tornillos cortos lateralmente a la escuadra de soporte.



⚠ Antes de apretar los tornillos hay que alinear el revestimiento de la chimenea.

14. Montar el filtro antigrasa en la campana extractora (véanse al respecto las instrucciones de uso de la campana extractora).

Notes



b8 Switch assembly
 h4 Lamp 40 W
 h3 Lamp 40 W
 k9 Thermal relay
 M Motor

Mot. Nr.: 5750_201893 Teil Nr.:
 5750_2011096P01 Blatt 16 von 17
 DKE9302AUC 50-30/3965E



