

30" Undercabinet Hood

800 Series – Stainless Steel DPH30652UC



DPH30652UC
Stainless Steel

Quickly and quietly clears the air of smoke and odors.

Features & Benefits

An impressive extraction rate of 600 CFM ensures this hood will have your kitchen odor free in no time.

Allows you to adjust the performance of your hood to match the type of cooking.

Efficiently filters grease and other solid particles out of the extracted air.

Flexible design gives the ability to recirculate the air back into the kitchen.

Professional styling with deep capture area.

General Properties

| | |
|------------------------------|-------------------------------------|
| Operating mode | Convertible: ducted / recirculating |
| Maximum CFM | 600 CFM |
| Number of speed settings | 2-stage |
| Motor location | Integrated motor in hood body |
| Number of lights | 2 |
| Bulb type | Incandescent |
| Total power of the lamps (W) | 80 W |
| Damper included | Yes |
| Grease filter material | Aluminum |
| Grease filter type | Multilayer cassette |

Technical Details

| | |
|----------------|---------|
| Watts (W) | 142 W |
| Volts (V) | 120 V |
| Frequency (Hz) | 60 Hz |
| Plug type | No plug |



Dimensions & Weight

| | |
|---|------------------------|
| Overall appliance dimensions (width of canopy included) (HxWxD) (in.) | 11" x 30" x 23" |
| Required distance above cooktop/range cooking surface | 30" Electric / 30" Gas |
| Diameter of air duct (in.) top | 8" |
| Diameter of air duct (in.) back | 8" |
| Net weight (lbs) | 34 lbs |

Accessories—Optional

| | |
|-----------------------------|------------|
| Replacement charcoal filter | DHZ3052UC |
| Recirculation kit | DRZ3052UC* |

*DRZ3052UC recirculation kit adds 4" to height of appliance.



For help and assistance with Bosch accessories please call 1-800-944-2904 Mon-Fri 8am to 6pm EST

Notes: All height, width and depth dimensions are shown in inches. BSH reserves the absolute and unrestricted right to change product materials and specifications, at any time, without notice. Consult the product's installation instructions for final dimensional data and other details prior to making cutout. Applicable product warranty can be found in accompanying product literature or you may contact your account manager for further details.

Warranties: Bosch warrants that the Product is free from defects in materials and workmanship for a period of three hundred and sixty-five (365) days from the date of purchase. The foregoing timeline begins to run upon the date of purchase, and shall not be stalled, tolled, extended, or suspended, for any reason whatsoever. This Product is also warranted to be free from cosmetic defects in material and workmanship (such as scratches of stainless steel, paint/porcelain blemishes, chip, dents, or other damage) to the finish of the Product, for a period of thirty (30) days from the date of purchase or closing date for new construction. This cosmetic warranty excludes slight color variations due to inherent differences in painted and porcelain parts, as well as differences caused by kitchen lighting, product location, or other similar factors. This cosmetic warranty specifically excludes any display, floor, "As Is", or "B" stock appliances.

For more information on our entire line of products, go to www.bosch-home.ca or call 1-800-944-2904

© BSH Home Appliances Limited. All rights reserved. Bosch is a registered trademark of Robert Bosch GmbH.

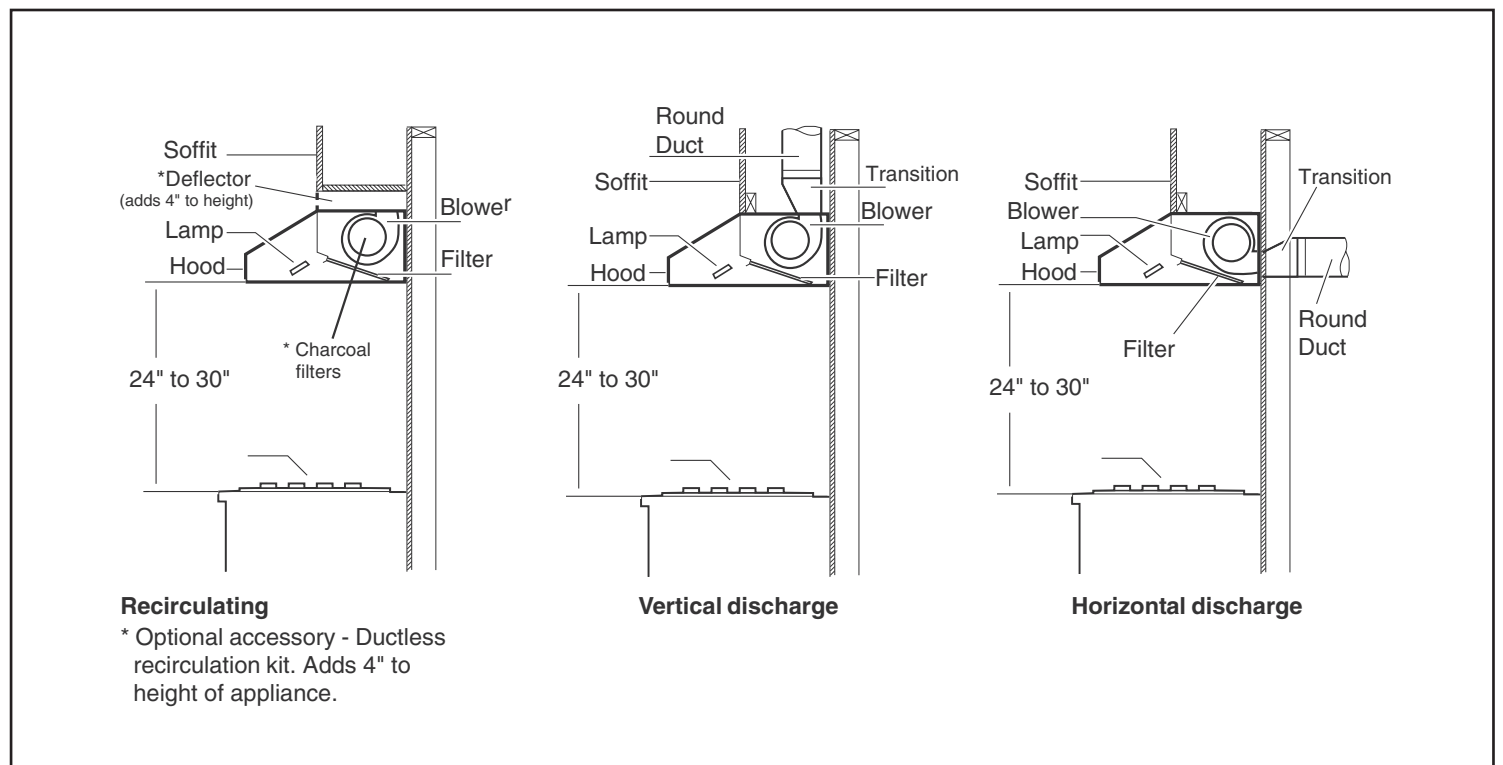
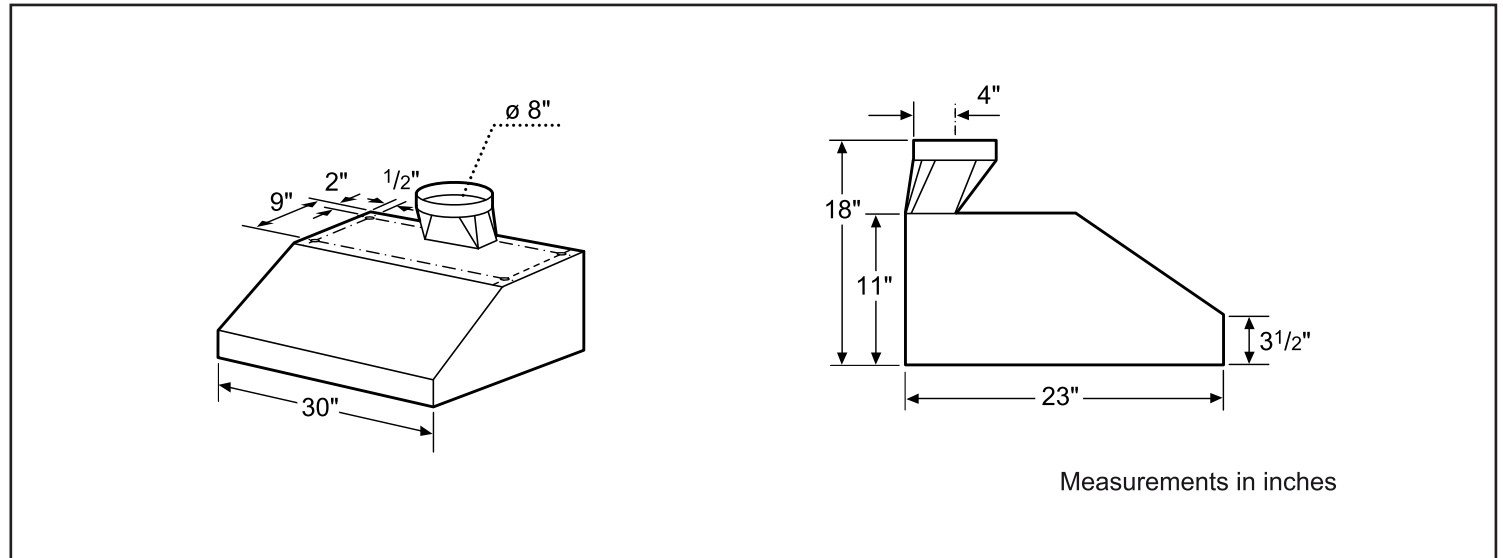
07/16

30" Undercabinet Hood

800 Series – Stainless Steel DPH30652UC



Installation Details



For help and assistance with Bosch accessories please call 1-800-944-2904 Mon-Fri 8am to 6pm EST

Notes: All height, width and depth dimensions are shown in inches. BSH reserves the absolute and unrestricted right to change product materials and specifications, at any time, without notice. Consult the product's installation instructions for final dimensional data and other details prior to making cutout. Applicable product warranty can be found in accompanying product literature or you may contact your account manager for further details.

Warranties: Bosch warrants that the Product is free from defects in materials and workmanship for a period of three hundred and sixty-five (365) days from the date of purchase. The foregoing timeline begins to run upon the date of purchase, and shall not be stalled, tolled, extended, or suspended, for any reason whatsoever. This Product is also warranted to be free from cosmetic defects in material and workmanship (such as scratches of stainless steel, paint/porcelain blemishes, chip, dents, or other damage) to the finish of the Product, for a period of thirty (30) days from the date of purchase or closing date for new construction. This cosmetic warranty excludes slight color variations due to inherent differences in painted and porcelain parts, as well as differences caused by kitchen lighting, product location, or other similar factors. This cosmetic warranty specifically excludes any display, floor, "As Is", or "B" stock appliances.

For more information on our entire line of products, go to www.bosch-home.ca or call 1-800-944-2904

© BSH Home Appliances Limited. All rights reserved. Bosch is a registered trademark of Robert Bosch GmbH.