

Ventilation

30" Under Cabinet Ventilation 800 Series DPH30652UC



Bosch Under Cabinet Hoods Complete Your Bosch Kitchen Suite With Matching User Interfaces and Sleek European Design

- 600 CFM Blower Included
- Professional Design
- Two Incandescent Lights
- Dishwasher safe aluminum mesh filters
- Recirculation Option Available

Technical Data

Operating Mode :	Ducted
Number of speed settings :	2-stage
Optional accessories :	DHZ3052UC, DRZ3652UC
Number of lights :	2
Type of lamps used :	Bulbs
Total power of the lamps (W) :	80
Grease filter material :	Washable aluminium
Grease filter type :	Multilayer cassette
UPC code :	825225884439
Material :	Stainless steel
Watts (W) :	142
Volts (V) :	120
Frequency (Hz) :	60
Approval certificates :	CSA, UL
Power cord length (cm) :	0
Plug type :	no plug
Overall appliance dimensions (HxWxD) (in) :	11" / 11" x 30" x 23"
Overall appliance dimensions (HxWxD) (mm) :	279 MM x 760 x 760
Product packaging dimensions (HxWxD) (in) :	12.99 x 23.99 x 35.99
Required distance above cooktop/ranges :	30"/30"
Net weight (lbs) :	34
Net weight (kg) :	16.0
Gross weight (lbs) :	48
Gross weight (kg) :	22.0
Motor location :	Integrated motor in hood body
No-return airflow flap :	No

Optional accessories

- DHZ3052UC : Charcoal filter
DRZ3652UC : Recirculation kit

Ventilation

30" Under Cabinet Ventilation 800 Series DPH30652UC

Bosch Under Cabinet Hoods Complete Your Bosch Kitchen Suite With Matching User Interfaces and Sleek European Design

Key Features

Design

- Professional Design
- Brushed Stainless Steel Finish
- 2 Incandescent Lights

Performance

- 600 CFM Blower Included
- Two Power Levels
- Quickly and Quietly Clears the Air of Smoke and Odor

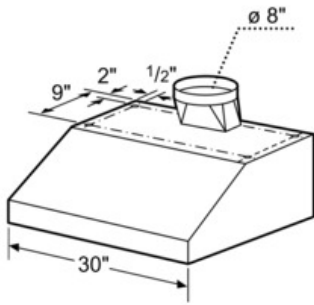
Convenience

- Dishwasher-safe Mesh Filters
- Easy to Use Controls
- Recirculation Option Available
- Top or Rear Venting Options

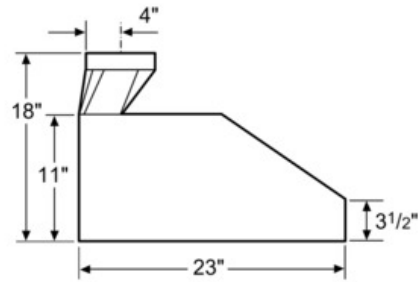
Efficiency

Ventilation

30" Under Cabinet Ventilation 800 Series DPH30652UC



Dimensions in inches



Measurements in inches