

36" Glass Canopy Chimney Hood

Benchmark® Series – Stainless Steel HCG56651UC



HCG56651UC
Stainless Steel

Wall mounted chimney hoods add style and sophistication to the kitchen and gives you greater freedom in your kitchen planning.

Features & Benefits

Touch controls with LCD display.

600 CFM centrifugal integrated blower included.

Four speed touch controls with LCD display.

Dishwasher safe filters with stainless steel covers.

Converts to recirculation mode with accessory kit (separate purchase required).

General Properties

Operating mode	Convertible: ducted / recirculating
Maximum CFM	600 CFM
Sones	10.13 HS / 2.46 WS
Number of speed settings	4-stage
Motor location	Integrated motor in hood chimney
Number of lights	2
Bulb type	Halogen
Total power of the lamps (W)	80 W
Damper included	Yes
Grease filter material	Washable stainless steel
Grease filter type	Multilayer cassette

Technical Details

Volts (V)	120 V
Frequency (Hz)	60 Hz
Plug type	No plug



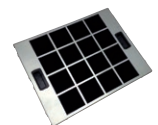
Dimensions & Weight

Overall appliance dimensions (width of canopy included) (HxWxD) (in.)	27 7/16" x 42 3/8" / 27 7/16" x 46 5/16" / 35 7/8" x 19 11/16"
Height of the chimney (in.)	25 7/8" x 40 13/16" / 25 7/8" x 44 3/4"
Required distance above cooktop/range cooking surface	24" Electric / 30" Gas
Diameter of air duct (in.) top	8"
Net weight (lbs)	54 lbs

Accessories—Optional



HCGEXT5UC
Chimney extension for 9-11.5 ft. ceilings



HCIFILTUC
Filter kit



HCREC5UC
Recirculation kit



For help and assistance with Bosch accessories please call 1-800-944-2904 Mon-Fri 8am to 6pm EST

Notes: All height, width and depth dimensions are shown in inches. BSH reserves the absolute and unrestricted right to change product materials and specifications, at any time, without notice. Consult the product's installation instructions for final dimensional data and other details prior to making cutout. Applicable product warranty can be found in accompanying product literature or you may contact your account manager for further details.

Warranties: Bosch warrants that the Product is free from defects in materials and workmanship for a period of three hundred and sixty-five (365) days from the date of purchase. The foregoing timeline begins to run upon the date of purchase, and shall not be stalled, tolled, extended, or suspended, for any reason whatsoever. This Product is also warranted to be free from cosmetic defects in material and workmanship (such as scratches of stainless steel, paint/porcelain blemishes, chip, dents, or other damage) to the finish of the Product, for a period of thirty (30) days from the date of purchase or closing date for new construction. This cosmetic warranty excludes slight color variations due to inherent differences in painted and porcelain parts, as well as differences caused by kitchen lighting, product location, or other similar factors. This cosmetic warranty specifically excludes any display, floor, "As Is", or "B" stock appliances.

For more information on our entire line of products, go to www.bosch-home.ca or call 1-800-944-2904

© BSH Home Appliances Limited. All rights reserved. Bosch is a registered trademark of Robert Bosch GmbH.

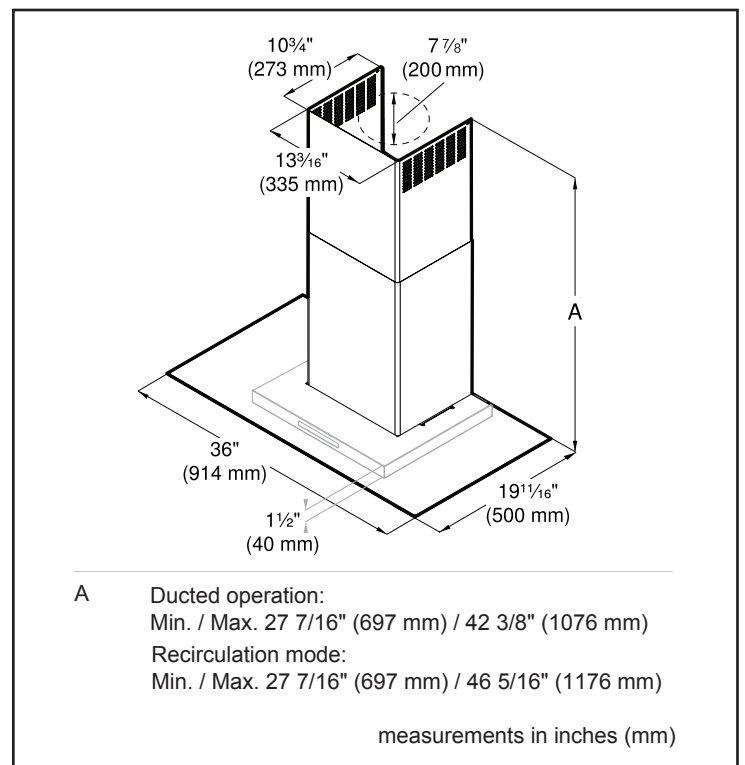
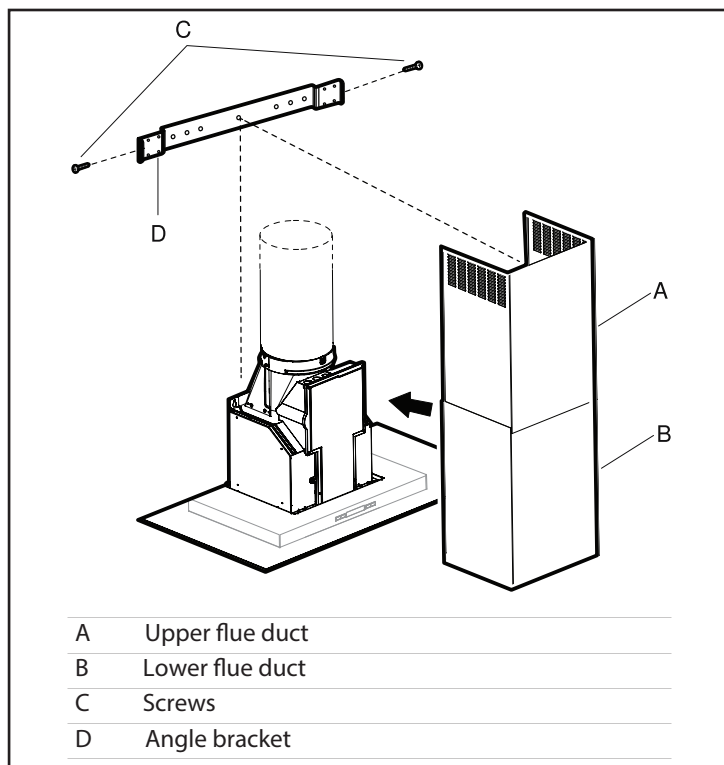
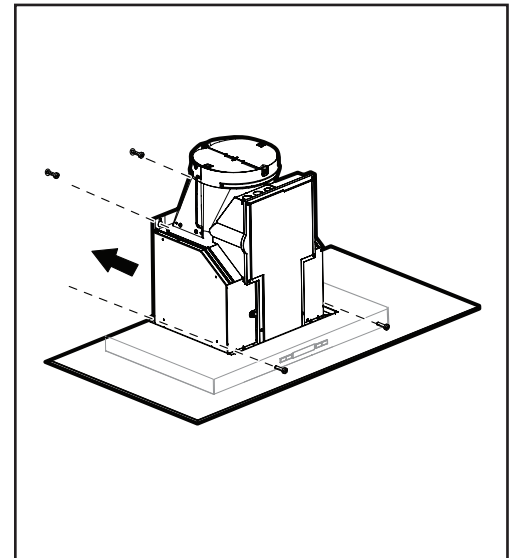
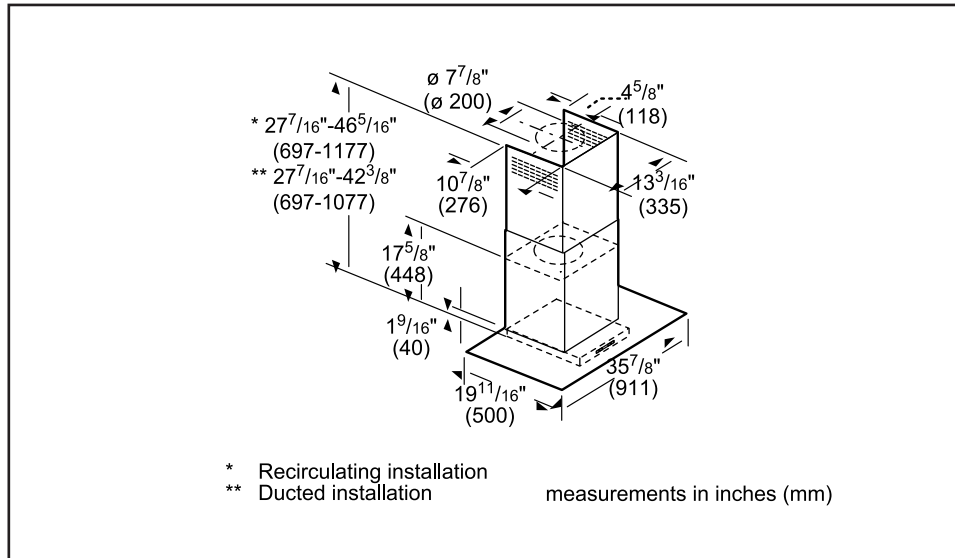
09/15

36" Glass Chimney Hood

Benchmark® Series – Stainless Steel HCG56651UC



Installation Details



For help and assistance with Bosch accessories please call 1-800-944-2904 Mon-Fri 8am to 6pm EST

Notes: All height, width and depth dimensions are shown in inches. BSH reserves the absolute and unrestricted right to change product materials and specifications, at any time, without notice. Consult the product's installation instructions for final dimensional data and other details prior to making cutout. Applicable product warranty can be found in accompanying product literature or you may contact your account manager for further details.

Warranties: Bosch warrants that the Product is free from defects in materials and workmanship for a period of three hundred and sixty-five (365) days from the date of purchase. The foregoing timeline begins to run upon the date of purchase, and shall not be stalled, tolled, extended, or suspended, for any reason whatsoever. This Product is also warranted to be free from cosmetic defects in material and workmanship (such as scratches of stainless steel, paint/porcelain blemishes, chip, dents, or other damage) to the finish of the Product, for a period of thirty (30) days from the date of purchase or closing date for new construction. This cosmetic warranty excludes slight color variations due to inherent differences in painted and porcelain parts, as well as differences caused by kitchen lighting, product location, or other similar factors. This cosmetic warranty specifically excludes any display, floor, "As Is", or "B" stock appliances.

For more information on our entire line of products, go to www.bosch-home.ca or call 1-800-944-2904

© BSH Home Appliances Limited. All rights reserved. Bosch is a registered trademark of Robert Bosch GmbH.