

Hood

Installation Manual

HUI50351UC, HUI56551UC



BOSCH

Invented for life



Table of Contents

Safety Definitions	3
IMPORTANT SAFETY INSTRUCTIONS	4
Appliance Handling Safety	5
Safety Codes and Standards	5
Electric Safety	5
Related Equipment Safety	6
State of California Proposition 65 Warnings	6
Causes of damage	7
Protecting the environment	7
General notes	7
Exhaust air mode	7
Ventilation line	7
Electrical connection	7
Before you begin	8
Tools and parts needed	8
Parts included	8
Appliance dimensions	8
Safety clearances	8
Planning air channels	10
Preparing the appliance	11
Air outlet position on top	11
Air outlet position at rear	11
Preparing the units	12
Installing the appliance	13
Connect appliance	14
Establishing the connection for the exhaust air	14
Establishing the connection for the circulated air	14
Electrical Installation	15
Removing the appliance	15
Customer service	16

Additional information on products, accessories, replacement parts and services can be found at **www.bosch-home.com** and in the online shop **www.bosch-home.com/us/store**

Safety Definitions

▲ WARNING

This indicates that death or serious injuries may occur as a result of non-observance of this warning.

▲ CAUTION

This indicates that minor or moderate injuries may occur as a result of non-observance of this warning.

NOTICE: This indicates that damage to the appliance or property may occur as a result of non-compliance with this advisory.

Note: This alerts you to important information and/or tips.

IMPORTANT SAFETY INSTRUCTIONS

READ AND SAVE THESE INSTRUCTIONS

INSTALLER: LEAVE THESE INSTRUCTIONS WITH THE APPLIANCE AFTER INSTALLATION IS COMPLETE.

IMPORTANT: SAVE THESE INSTRUCTIONS FOR THE LOCAL ELECTRICAL INSPECTOR'S USE.

WARNING

If the information in this manual is not followed exactly, fire or shock may result causing property damage or personal injury.

WARNING

Do not repair, replace or remove any part of the appliance unless specifically recommended in the manuals. Improper installation, service or maintenance can cause injury or property damage. Refer to this manual for guidance. All other servicing should be done by an authorized servicer.

WARNING

WARNING – TO REDUCE THE RISK OF FIRE, ELECTRIC SHOCK, OR INJURY TO PERSONS, OBSERVE THE FOLLOWING:

- Installation work and electrical wiring must be done by qualified person(s) in accordance with all applicable codes and standards, including fire-rated construction.
- Sufficient air is needed for proper combustion and exhausting of gases through the flue (chimney) of fuel burning equipment to prevent back drafting. Follow the heating equipment manufacturer's guideline and safety standards such as those published by the National Fire Protection Association (NFPA), and the American Society for Heating, Refrigeration and Air Conditioning Engineers (ASHRAE), and the local code authorities.
- When cutting or drilling into wall or ceiling, do not damage electrical wiring and other hidden utilities.
- Ducted fans must always be vented to the outdoors.

WARNING

The applicable regulations of the energy supply companies and the regional construction regulations must be observed when installing the hood.

WARNING

RISK OF FIRE

Grease deposits in the grease filter can catch fire. Never work with a naked flame near the appliance (e.g. flambéing). Install the unit near a heat-producing appliance for solid fuels (e.g. wood or coal) only if there is a closed, non-detachable cover. There must be no flying sparks.

WARNING

RISK OF FIRE

Operating several gas burners at the same time gives rise to a great deal of heat. The ventilation appliance may become damaged or catch fire. The ventilation appliance must only be combined with gas burners that do not exceed the maximum total output of 61,000 BTU/hr (18 kW). If 41,000 BTU/hr (12 kW) is exceeded, the local regulations concerning room ventilation, room size, and combination with ventilation devices in exhaust and recirculating operation must be followed.

WARNING

To reduce risk of fire and to properly exhaust air, be sure to duct air outside. Do not vent exhaust air into spaces within walls, ceilings, attics, crawl spaces or garages.

WARNING

To reduce the risk of fire, use only metal ductwork.

WARNING

When the hood is operated in exhaust-air mode simultaneously with a different burner which also makes use of the same chimney (such as gas, oil or coal-fired heaters, continuous-flow heaters, hot-water boilers) care must be taken to ensure that there is an adequate supply of fresh air which will be needed by the burner for combustion.

Safe operation is possible provided that the under pressure in the room where the burner is installed does not exceed 4 Pa (0.04 mbar).

This can be achieved if combustion air can flow through non-lockable openings, e.g. in doors, windows and via the air-intake/exhaust-air wall box or by other technical measures, such as reciprocal interlocking, etc.

IMPORTANT SAFETY INSTRUCTIONS

READ AND SAVE THESE INSTRUCTIONS

WARNING

Avoid carbon monoxide poisoning – Provide adequate air intake so combustion gases are not drawn back into the room.

An air-intake/exhaust-air wall box by itself is no guarantee that the limiting value will not be exceeded.

Note: When assessing the overall requirement, the combined ventilation system for the entire household must be taken into consideration. This rule does not apply to the use of cooking appliances, such as cooktops and ovens.

CAUTION

For general ventilating use only. Do not use to exhaust hazardous or explosive materials and vapors.

Risk of damage from condensation back flow. Install exhaust vent at a slight downward slope away from the appliance (1° slope).

Appliance Handling Safety

Unit is heavy and requires at least two people or proper equipment to move.

Hidden surfaces may have sharp edges. Use caution when reaching behind or under appliance.

WARNING

RISK OF INJURY

The appliance may fall from the wall if it is not attached properly. All fastening components must be fixed firmly and securely in place.

Safety Codes and Standards

This appliance complies with the latest version of one or more of the following standards:

- UL 507 - Electric Fans
- CAN/CSA C22.2 No. 113 - Fans and Ventilators

It is the responsibility of the installer to determine if additional requirements and/or standards apply to specific installations.

Electric Safety

WARNING

RISK OF ELECTRICAL SHOCK OR FIRE

Frame grounded to neutral through a ground strap. Grounding through the neutral conductor is prohibited for new branch-circuit installations (1996 NEC), mobile homes, and recreational vehicles, or in an area where local codes prohibit grounding through the neutral conductor.

For installations where grounding through the neutral conductor is prohibited,

- a. disconnect the link from the neutral,
 - b. use grounding terminal or lead to ground unit,
 - c. connect neutral terminal to lead branch circuit neutral in usual manner (when the appliance is to be connected by means of a cord kit, use a UL listed 4-conductor cord for this purpose).
-

GROUNDING INSTRUCTIONS

This appliance must be grounded. Grounding reduces the risk of electric shock by providing a safe pathway for electric current in the event of a short circuit.

The appliance must be connected to a grounded, metallic, permanent wiring system, or an equipment grounding conductor should be run with the circuit conductors and connected to the equipment grounding terminal or lead on the appliance.

WARNING

Improper grounding can result in a risk of electric shock. Consult a qualified electrician if the grounding instructions are not completely understood, or if doubt exists as to whether the appliance is properly grounded. Do not use an extension cord. If the power supply cord is too short, have a qualified electrician install an outlet near the appliance.

WARNING

Before you plug in an electrical cord or turn on power supply, make sure all controls are in the OFF position.

IMPORTANT SAFETY INSTRUCTIONS

READ AND SAVE THESE INSTRUCTIONS

WARNING

RISK OF ELECTRICAL SHOCK OR FIRE

Frame grounded to neutral through a ground strap. Grounding through the neutral conductor is prohibited for new branch-circuit installations (1996 NEC), mobile homes, and recreational vehicles, or in an area where local codes prohibit grounding through the neutral conductor.

For installations where grounding through the neutral conductor is prohibited,

- a.** disconnect the link from the neutral,
- b.** use grounding terminal or lead to ground unit,
- c.** connect neutral terminal to lead branch circuit neutral in usual manner (when the appliance is to be connected by means of a cord kit, use a UL listed 4-conductor cord for this purpose).

If required by the National Electrical Code (or Canadian Electrical Code), this appliance must be installed on a separate branch circuit.

WARNING

To reduce the risk of fire or electric shock, do not use this fan with any solid-state speed control device.

Installer – show the owner the location of the circuit breaker or fuse. Mark it for easy reference.

Before installing, turn power OFF at the service panel. Lock service panel to prevent power from being turned ON accidentally.

WARNING

TO REDUCE THE RISK OF FIRE, ELECTRIC SHOCK, OR INJURY TO PERSONS, OBSERVE THE FOLLOWING:

- Use this unit only in the manner intended by the manufacturer. If you have questions, contact the manufacturer.
- Before servicing or cleaning unit, switch power off at service panel and lock out the service disconnect to prevent power from being switched on accidentally. When the service disconnect cannot be locked, securely fasten a prominent warning device, such as a tag, to the service panel.

Be sure your appliance is properly installed and grounded by a qualified technician. Installation, electrical connections and grounding must comply with all applicable codes.

WARNING

RISK OF ELECTRIC SHOCK

Parts inside the appliance can have sharp edges. The connection cable can be damaged. Do not bend or pinch connection cables during installation.

Related Equipment Safety

Remove all tape and packaging before using the appliance. Destroy the packaging after unpacking the appliance. Never allow children to play with packaging material.

To ensure safe operation of the appliance, it must be installed by a qualified technician according to these installation instructions. The installer is liable for any damage resulting from incorrect installation.

Never modify or alter the construction of the appliance. For example, do not remove leveling legs, panels, wire covers or anti-tip brackets/screws.

State of California Proposition 65 Warnings

WARNING

This product contains chemicals known to the State of California to cause cancer, birth defects or other reproductive harm.

Causes of damage

NOTICES:

- Risk of damage due to corrosion. Always turn appliance on when cooking to avoid condensation buildup. Condensation can lead to corrosion damages.
- Always replace defective bulbs immediately to avoid an overload of the remaining bulbs.
- Risk of damage due to ingress of humidity into the electronic circuitry. Never clean operator controls with a wet cloth.
- Surface damage due to incorrect cleaning. Clean stainless steel surfaces in the grind direction only. Do not use any stainless steel cleaners for operator controls.
- Surface damage due to strong or abrasive cleaning agents. Never use strong and abrasive cleaning agents.
- Risk of damage from condensation back flow. Install exhaust vent at a slight downward slope away from the appliance (1° slope).

Protecting the environment

Unpack the appliance and dispose of the packaging in an environmentally friendly manner.

General notes

Exhaust air mode

Note: Ventilation may not exit through an already operational smoke or exhaust chimney, nor a duct used for ventilating furnace installation areas.

- If the ventilation is intended to pass through a smoke or exhaust chimney that is not in operation, the responsible area heating inspector must give approval.
- If the ventilation passes through an external wall, use a telescope wall sleeve.

Ventilation line

Note: The installer is responsible for proper installation and functionality related to the duct section. Improper installation affecting the use of the appliance is not the responsibility of the appliance manufacturer.

- The appliance achieves its optimum performance by means of a short, straight exhaust air duct and as large a duct diameter as possible.
- As a result of long rough exhaust air ducts, too many duct bends or duct diameters that are smaller than 6" (150 mm), the optimum extraction performance is not achieved and fan noise is increased.
- The ducts or hoses for laying the exhaust air line must consist of non-combustible material.

Round ducts

An inside diameter of 6" (150 mm) is recommended, with a minimum being 4 3/4" (120 mm).

Flat ducts

The inner cross-section must correspond to the diameter of the round ducts.

dia. 6" (150 mm) approx. 27 1/2 sq in (177 cm²)

dia. 4 3/4" (120 mm) approx. 26 3/4 sq in (113 cm²)

- Flat ducts should have no sharp deflections.
- Use sealing strip for deviating duct diameters.

Electrical connection

⚠ WARNING

RISK OF ELECTRIC SHOCK

Parts inside the appliance can have sharp edges. The connection cable can be damaged. Do not bend or pinch connection cables during installation.

A 120 volt, 60 Hz AC-only electrical supply is required on a separate 15 amp fused circuit.

Before connecting the appliance, check the household electricity installation. Ensure sufficient fuse protection of the household electricity installation. The voltage and frequency of the appliance must match the electrical installation (see rating plate).

The appliance complies with protection class 1 and must only be operated in conjunction with a protective conductor terminal.

An all-pole isolating switch with at least a 1/8" (3 mm) contact gap must be fitted in the installation. This must remain accessible after installation.

Only a qualified electrician following the appropriate codes and regulation may install, lay, or replace the connecting cables.

Follow all valid standards and laws.
 Ensure that the electrical connection meets the requirements of the latest version of all applicable standards and laws in the appropriate country, especially the following standards: National Electrical Code, ANSI/NFPA 70, or CSA Standards C22.1-94, Canadian Electrical Code, Part 1 and C22.2 No.0-M91.
 Have a qualified electrical technician check the grounding of the appliance.
 Do not ground with a gas line.
 No fuse protection in the neutral or grounding circuit.

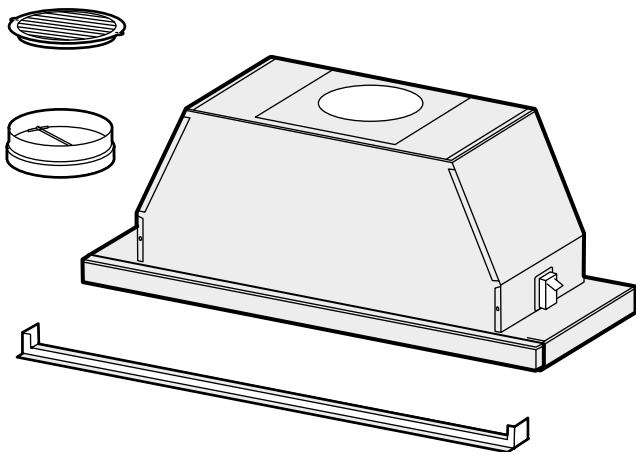
Keep the installation instructions. Only connect the appliance with a copper conductor. If possible, connect the appliance to a metal cable guide directly to the fuse box.
 Ensure that the wire diameter meets the requirements of the latest version of all applicable standards and laws in the appropriate country, especially the following standards: National Electrical Code, ANSI/NFPA 70, or CSA Standards C22.1-94, Canadian Electrical Code, Part 1 and C22.2 No.0-M91.
 Put a protecting hose that is listed in the U.L. or C.S.A. on both ends of the connecting cable, that is, on the appliance and on the fuse box.

Before you begin

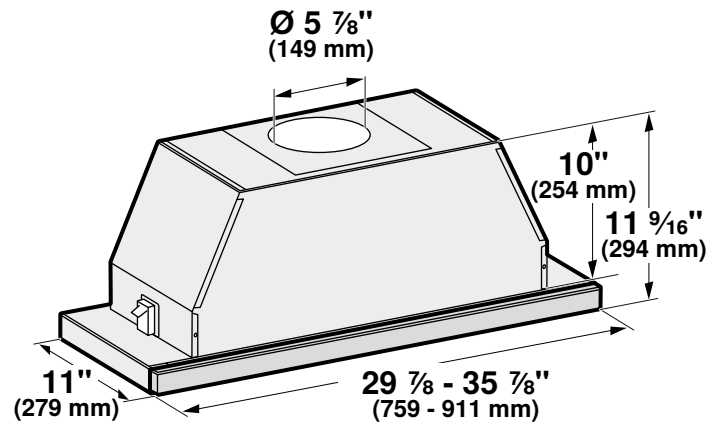
Tools and parts needed

- Saber Saw or Jig Saw
- Drill
- 1 1/4" Wood Drill Bit
- Pliers
- Phillips Screwdriver
- Wire Stripper or Utility Knife
- Metal Snips
- Measuring Tape or Ruler
- Level
- Pencil
- Caulking Gun
- Duct Tape

Parts included



Appliance dimensions



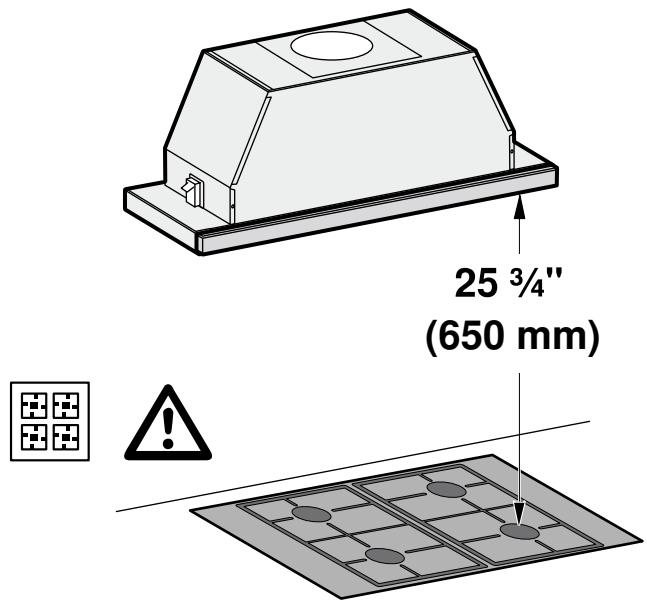
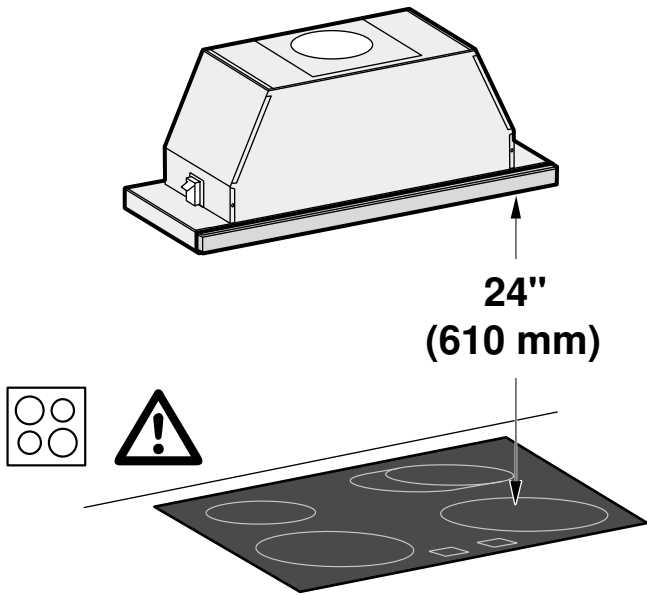
Safety clearances

▲ WARNING

RISK OF FIRE

Grease deposits in the grease filter can catch fire. The given safety clearance must be observed to avoid heat buildup. Observe the specifications for your cooking appliance. If gas and electric cooktops are used together, the largest given clearance applies.

The appliance may only be installed directly next to a cabinet or wall on one side. The wall or cabinet clearance must be at least 2" (50 mm).

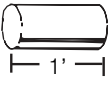
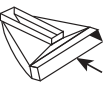
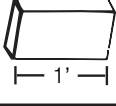
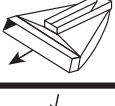




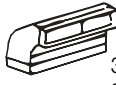

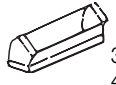

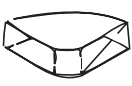


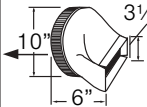

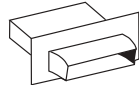



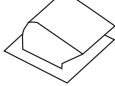


The clearance between the shelf on the cooktop and the bottom of the extractor hood may not be less than 24" (610 mm) in the case of electric cooktops and 25 ³/₅" (650 mm) in case of gas or combined ranges.

If the installation instructions for the gas cooking appliance specify a larger distance, that distance must be observed.

Planning air channels

For satisfactory performance the duct run should not exceed 50 equivalent feet if ducted using the required minimum 6" round duct.

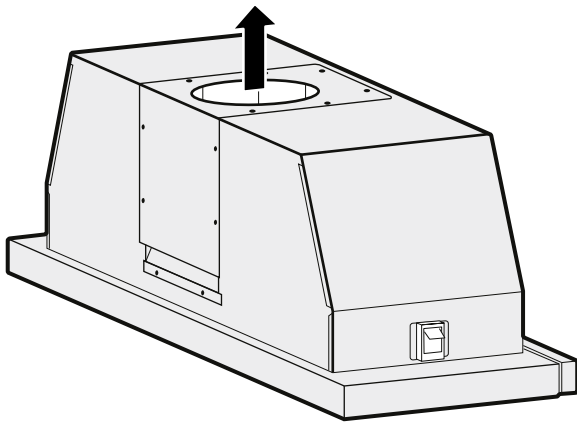
DUCT PIECES	SIZE	EQUIVALENT LENGTH	QUANTITY USED	TOTAL EQUIVALENT LENGTH	DUCT PIECES	SIZE	EQUIVALENT LENGTH	QUANTITY USED	TOTAL EQUIVALENT LENGTH	
 ROUND STRAIGHT	6"	1.2'			 3 1/4"x10" CENTER REVERSE ELBOW LEFT	N/A	15'			
	7"	0.95'								
	8"	0.7'								
	10"	0.6'								
 3 1/4"x10" STRAIGHT	3 1/4"x10"	1'			 3 1/4"x10" CENTER REVERSE ELBOW RIGHT	N/A	25'			
	3 1/4"x14"	0.7'								
 90° ROUND ELBOW	6"	12'			 3 1/4"x10" RIGHT REVERSE ELBOW	N/A	25'			
	7"	8'								
	8"	6'								
 45° ROUND ELBOW	6"	5'			 3 1/4"x10" LEFT REVERSE ELBOW	N/A	15'			
	7"	4'								
	8"	3'								
 3 1/4"x10" 90° ELBOW	N/A	5'			 ROUND WALL CAP Model #WC8 Model #WC10		6"	2'		
							7"			
							8"			
							10"			
 3 1/4"x10" 45° ELBOW	N/A	15'			 ROUND ROOF CAP		6"	2'		
							7"			
							8"			
 3 1/4"x10" FLAT ELBOW	N/A	20'			 2' LONG 3 1/4"x10" FLEX MODEL #RD 1		20'			
 ROUND TO 3 1/4"x10"	6"	1'			 3 1/4" 3 1/4"x10" TO ROUND		1'			
	7"	1'								
 3 1/4"x10" □ TO ROUND	6"	5'			 3 1/4"x10" WALL CAP		2'			
	7"	3'								
 ROUND TO 3 1/4"x10" 90° ELBOW	6"	10'			 7" In-Line Backdraft Damper		5'			
	7"	8'								
 3 1/4"x10" TO ROUND 90° ELBOW	6"	10'			 3 1/4"x10" Roof Jack & Shutter, Model #RJ310		5'			
	7"	5'								
TOTAL										

Preparing the appliance

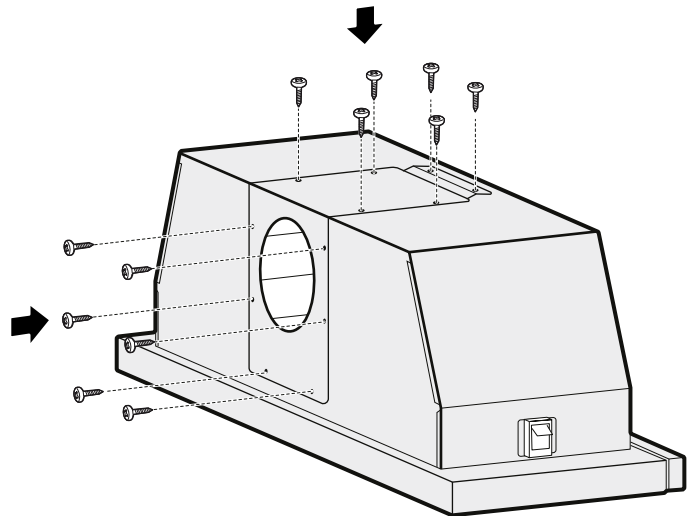
In order to better suit the installation situation, you can position the air outlet at the top or at the rear by turning the motor unit.

Air outlet position on top

Note: In the appliance's condition as delivered, you can mount the exhaust air duct at the top on the extractor hood.



2. Carefully lift motor unit out of the cover body.
3. Turn the motor unit.
4. Screw the motor unit to the cover body.



The air outlet is positioned at the rear.

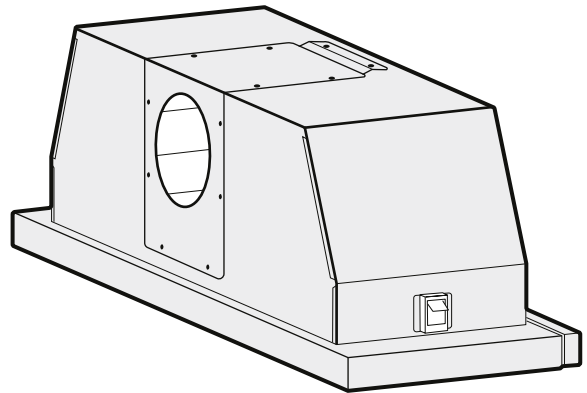
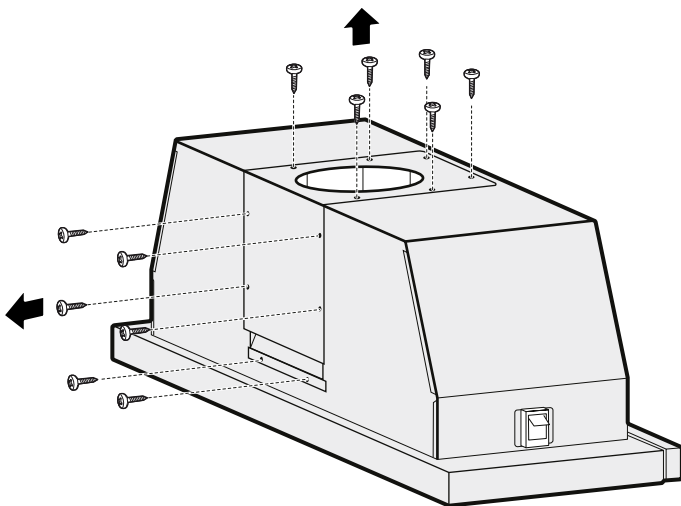
Air outlet position at rear

⚠ WARNING

RISK OF INJURY

Components inside the appliance may have sharp edges. Wear protective gloves.

1. Remove the screws of the motor unit.

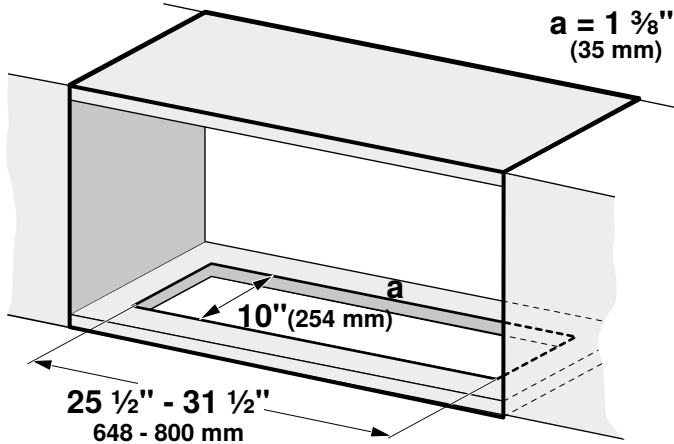


Preparing the units

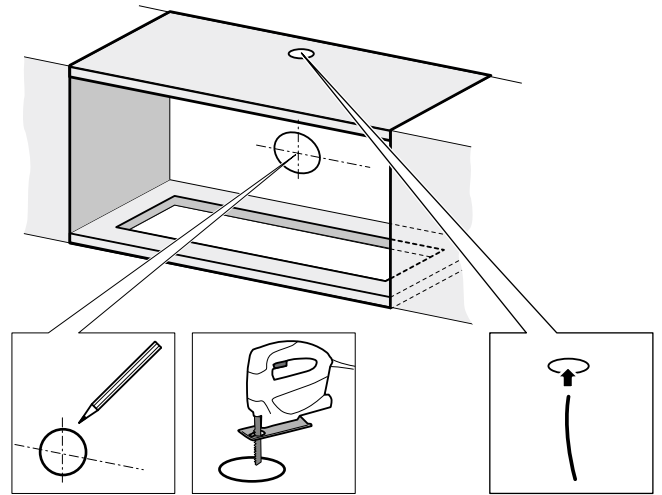
Fitted units must be heat-resistant up to 194° F (90 °C). The stability of the fitted unit must also be ensured after the cut-out work.

After the cutting out work is complete, remove the shavings.

1. Make the cut-out in the fitted unit.

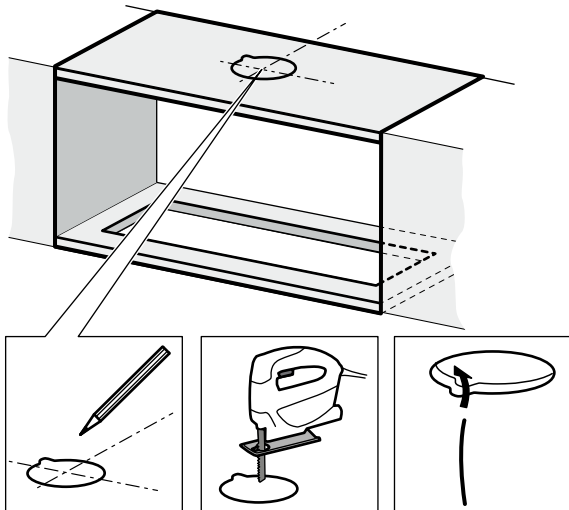


Exhaust air opening behind the fitted unit:



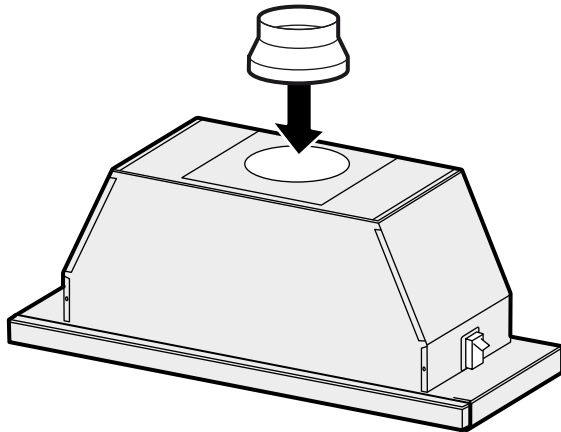
2. Make the cut-out for the exhaust air duct.

Exhaust air opening above the fitted unit:

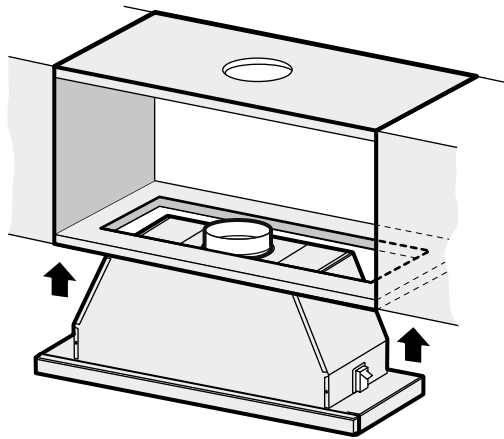


Installing the appliance

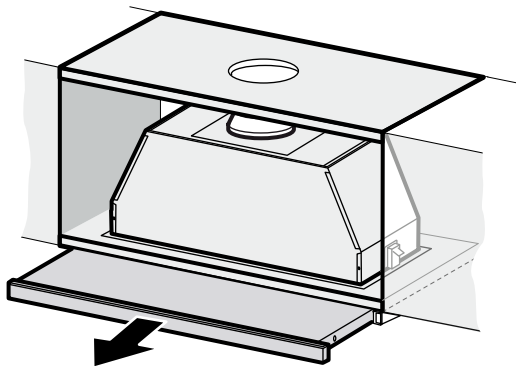
1. Press the back-flow flap onto the air outlet.



2. Insert the appliance into the cut-out.



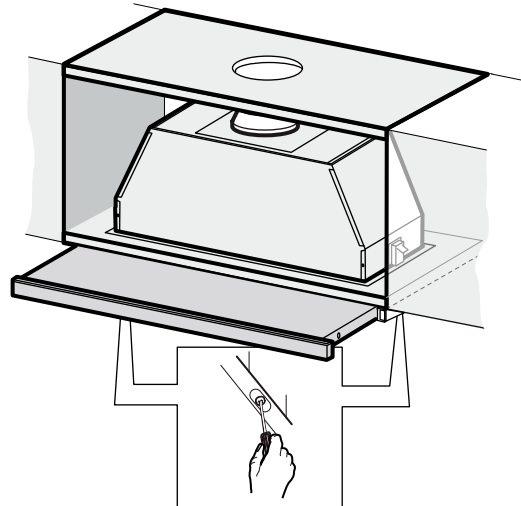
3. Pull out the filter drawer.



4. Remove the two rear grease filters.

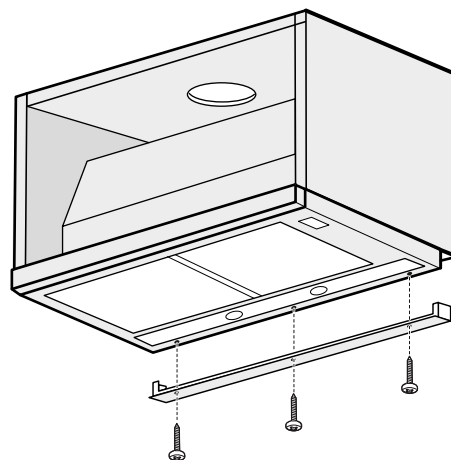


5. Tighten both fastening screws.



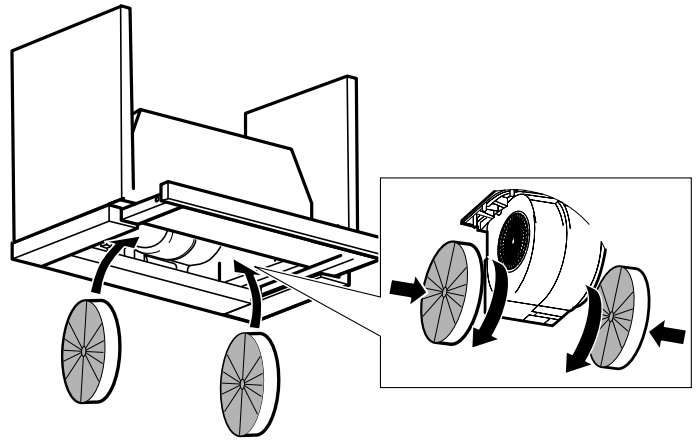
6. Fasten the plastic plate on the extractor hood in order to protect the fitted unit from cooking steam.

Note: Shorten the plastic plate to the depth of the fitted unit.



7. Optional for air recirculation:
Place activated charcoal filters on the motor and turn.

**Order number for activated charcoal filter:
HIUF06UC**



Connect appliance

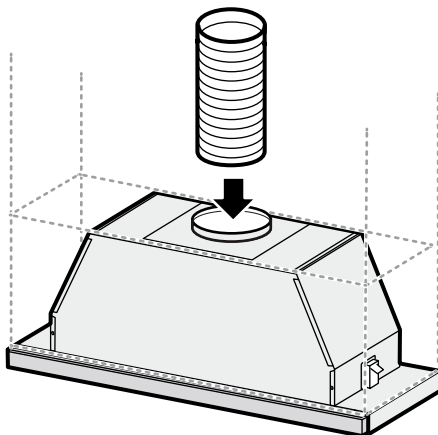
Notes

- With operation in extraction air mode, a back-pressure flap should be installed. If no back-pressure flap is included with the appliance, it can be ordered from a specialist retailer.
- If the exhaust air is conveyed through the outer wall, a telescopic wall box should be used.
- If an aluminum duct is used, smooth the connection area beforehand.

Exhaust air duct dia. 6" (150 mm) (recommended size).

Establishing the connection for the exhaust air

Note: If an aluminum duct is used, smooth the connection area beforehand.

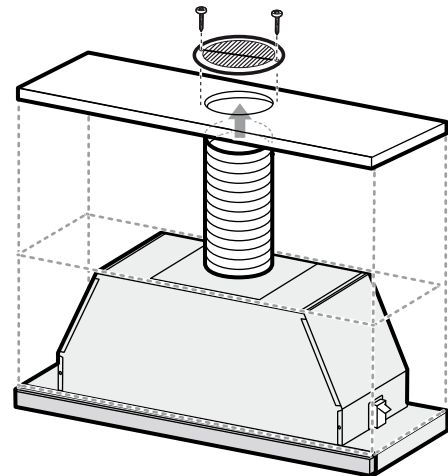


1. Attach the exhaust air duct directly to the air duct connector.
2. Connect it to the air extractor opening.
3. Seal the joints appropriately.

Establishing the connection for the circulated air

Notes

- If an aluminum duct is used, smooth the connection area beforehand.
- Fit the air guide grille so that the air can flow out freely.



1. Attach the exhaust air duct directly to the air duct connector.
2. Establish the connection to the opening on the fitted unit.
3. Screw the air guide grille to the fitted unit.
4. Seal the joints appropriately.

Electrical Installation

⚠ WARNING

The electrical connection of the appliance must be carried out by a qualified electrician.

⚠ CAUTION

Before installing, turn off at the service panel. Lock service panel to prevent power from being turned on accidentally.

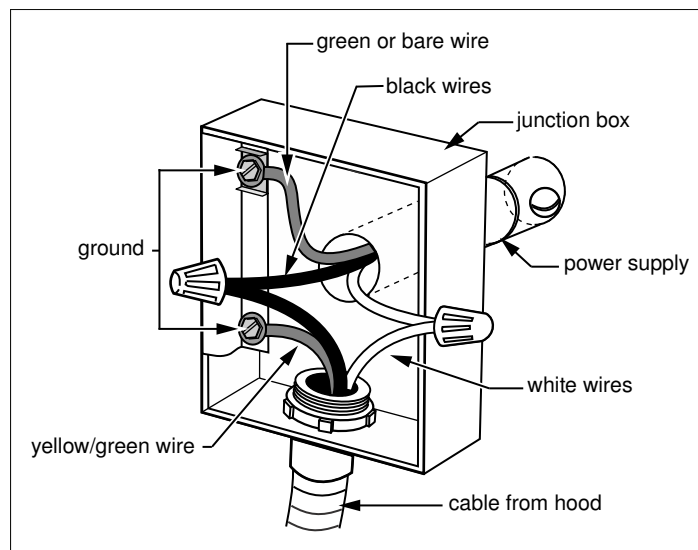
⚠ WARNING

Local codes may vary; installation, electrical connections and grounding must comply with all applicable local codes.

If local codes permit grounding through the electrical supply neutral, connect both the white neutral wire and the bare ground wire from the hood to the white neutral electrical supply wire.

Three-wire 120 V Connection

Remove the cover from the field wiring compartment with a phillips screwdriver. Feed the power supply cable through the electrical knockout.



Connect the power supply cable to the rangehood cable:

- Connect white wire from hood to white wire from power supply in junction box.
- Connect black wire from hood to black wire from power supply in junction box.
- Connect green or bare neutral wire from power supply to ground wire nut in junction box.

⚠ WARNING

RISK OF ELECTRIC SHOCK

Do not under any circumstances damage or remove the green/yellow wire. Non-adherence can cause deadly injuries or electric shock.

The conduit cable, where connected at the hood, flexes. To maintain serviceability, the flex conduit must not be shortened and should be routed to permit temporary removal of the hood.

Using the 4 holes provided, screw the field wiring compartment to the wall or cabinet as dictated by your power supply cable location (screws not provided). Replace the cover.

Removing the appliance

1. Disconnect the appliance from the power supply.
2. Pull out the filter drawer.
3. Remove the two rear grease filters.
4. Remove the fastening screws.
5. Remove the appliance from the fitted unit.

Customer service

Our customer service department is there for you if your appliance requires repair.

When calling, please give the Product Number (P-No.) and the Serial Number (S-No.) to help facilitate your repair. The identification plate listing the numbers can be found inside of the appliance (remove metal grease filter to find it).

So that you don't have to search for these numbers when you need them, you can enter your appliance information and the customer service number here.

P-No.

S-No.

Customer service 

Please note that a service visit to instruct the customer on the proper use of the appliance is not covered by the warranty.

Please find the contact data of all countries in the enclosed customer service list.

To book a service visit and product advice

US 800 944 2904
toll-free

Table de Matières

Définitions de Sécurité	18
CONSIGNES DE SÉCURITÉ IMPORTANTES	19
Sécurité de manipulation de l'appareil	20
Codes et normes de sécurité	20
Sécurité électrique	20
Sécurité apparentée concernant l'équipement	21
Avertissements de la Proposition 65 de l'État de la Californie	21
Causes des dommages	22
Protection de l'environnement	22
Instructions générales	22
Mode évacuation	22
Conduit d'évacuation	22
Branchement électrique	22
Avant de commencer	23
Outils et pièces nécessaires	23
Pièces comprises	23
Cotes de l'appareil	24
Distances de sécurité	24
Prévoir la gaine d'air	25
Préparation de l'appareil	26
Positionner la sortie d'air sur le dessus	26
Positionner la sortie d'air arrière	26
Préparation du meuble	27
Encastrement de l'appareil	28
Brancher l'appareil	29
Effectuer le raccordement de l'évacuation de l'air	29
Réaliser le raccordement de l'air de circulation	30
Installation électrique	30
Dépose de l'appareil	31
Service après-vente	31

Vous trouverez des informations supplémentaires concernant les produits, accessoires, pièces de rechange et services sur Internet sous : www.bosch-home.com et la boutique en ligne : www.bosch-eshop.com

Définitions de Sécurité

▲ AVERTISSEMENT

Le non-respect de cet avertissement peut entraîner la mort ou des blessures graves.

▲ ATTENTION

Le non-respect de cet avertissement peut entraîner des blessures mineures ou modérées.

AVIS : Vous indique que des dommages à l'appareil ou aux biens peuvent survenir si vous ne respectez pas cet avertissement.

Remarque : Vous signale des informations importantes ou des conseils.

CONSIGNES DE SÉCURITÉ IMPORTANTES

LIRE ET CONSERVER CES INSTRUCTIONS

INSTALLATEUR : LAISSEZ CES INSTRUCTIONS AVEC L'APPAREIL APRÈS UNE FOIS L'INSTALLATION TERMINÉE.

IMPORTANT : CONSERVER CES INSTRUCTIONS POUR L'USAGE DE L'INSPECTEUR ÉLECTRIQUE LOCAL.

AVERTISSEMENT

Si l'information de ce guide n'est pas suivie exactement, il peut en résulter un incendie ou un choc électrique causant des dommages à la propriété, des blessures ou la mort.

AVERTISSEMENT

Ne pas réparer ni remplacer toute pièce de l'appareil à moins que cela ne soit expressément recommandé dans ce manuel. Ne jamais modifier ni altérer la configuration de l'appareil. Toute installation, réparation ou maintenance inadéquate peut entraîner des blessures ou des dommages matériels. Se reporter à ce manuel pour obtenir des conseils sur la façon de procéder. Toute réparation doit être effectuée par un centre de réparation autorisé par l'usine.

AVERTISSEMENT

ATTENTION – AFIN DE RÉDUIRE LES RISQUES D'INCENDIE, DE CHOC ÉLECTRIQUE OU DE BLESSURES CORPORELLES, VEUILLEZ SUIVRE LES INSTRUCTIONS SUIVANTES :

- Les travaux d'installation et de raccordement électrique doivent être effectués par une personne qualifiée, conformément aux codes et standards de construction, y compris ceux concernant le feu.
- Assurez-vous que l'aération est suffisante pour permettre la combustion et l'évacuation des gaz par le conduit de cheminée d'un appareil à combustible afin de prévenir le refoulement d'air. Respectez les instructions du fabricant de l'appareil de chauffage et les normes de sécurité, comme celles publiées par la National Fire Protection Association (NFPA) et par la American Society for Heating, Refrigeration and Air Conditioning Engineers (ASHRAE), ainsi que par les autorités locales.
- Lorsque vous faites une ouverture dans un mur ou un plafond, veillez à ne pas endommager les fils électriques ou les conduites qui y sont dissimulés.
- Les soufflantes canalisées doivent donner sur l'extérieur.

AVERTISSEMENT

Pour l'installation de la hotte, vous devez respecter tous les règlements des entreprises de distribution d'électricité et de construction régionaux applicables.

AVERTISSEMENT

RISQUE D'INCENDIE

Les dépôts se trouvant dans le filtre à graisse peuvent s'enflammer. Ne jamais cuisiner à proximité de l'appareil avec une flamme ouverte (par exemple pour faire flamber). Installer l'appareil près d'un foyer pour combustibles solides (bois ou charbon par exemple) seulement s'il y a un couvercle fermé et non amovible. Il ne faut pas qu'il se produise de projection d'étincelles.

AVERTISSEMENT

RISQUE D'INCENDIE

Le fonctionnement simultané de plusieurs feux gaz engendre une forte production de chaleur. Le cas échéant, l'appareil de ventilation peut être endommagé ou s'enflammer. L'appareil de ventilation doit uniquement être combiné avec des feux gaz dont la puissance totale maximale ne dépasse pas 61,000 BTU/hr (18 kW). Si la puissance maximale dépasse 41,000 BTU/hr (12 kW), les prescriptions locales en matière de ventilation, de volume de la pièce et de combinaison avec des appareils de ventilation en mode aspiration ou ventilation doivent être observées.

AVERTISSEMENT

Pour réduire le risque de feu et pour évacuer correctement l'air, évacuez l'air vers l'extérieur. N'évacuez pas l'air dans les murs, les plafonds, les greniers, les vides sanitaires ou les garages.

AVERTISSEMENT

Pour réduire les risques de feu, utiliser uniquement des gaines en métal.

CONSIGNES DE SÉCURITÉ IMPORTANTES

LIRE ET CONSERVER CES INSTRUCTIONS

AVERTISSEMENT

Lorsque la hotte aspirante est utilisée en mode d'évacuation d'air simultanément avec un brûleur différent utilisant également la même cheminée, (tels des appareils de chauffage au gaz, à l'huile ou au charbon, des chauffe-eau instantanés ou des chaudières à eau chaude), veillez à ce que l'apport d'air frais soit suffisant pour assurer la combustion adéquate du brûleur.

Un fonctionnement sans risque est possible si la sous-pression dans la pièce où le brûleur est installé ne dépasse pas 4 Pa (0,04 mbar).

On peut y parvenir en acheminant l'air requis pour la combustion à travers des ouvertures non verrouillables, par exemple dans les portes et fenêtres, et en association avec des boîtiers muraux d'admission/d'évacuation d'air fixées au mur ou grâce à d'autres mesures techniques telles qu'un verrouillage réciproque, etc.

AVERTISSEMENT

Évitez l'intoxication au monoxyde de carbone. – Prévoyez une admission d'air adéquate pour empêcher l'aspiration des gaz de combustion dans la pièce.

Un boîtier mural air d'admission/air d'échappement ne peut garantir que la valeur limite ne sera pas dépassée.

Remarque : Lorsque vous évaluez les exigences globales, vous devez tenir compte du système combiné d'aération de la maison au complet. Cette règle ne s'applique pas aux appareils de cuisson, comme les surfaces de cuisson et les fours.

ATTENTION

Appareil conçu exclusivement pour la ventilation générale. Ne pas utiliser pour évacuer des matières et vapeurs dangereuses ou explosives.

Risque d'endommagement par le reflux de condensat. Installer le canal d'évacuation d'air légèrement incliné vers le bas à partir de l'appareil (1° de pente).

Sécurité de manipulation de l'appareil

Cet appareil est lourd et il faut au moins deux personnes ou l'équipement approprié pour le déplacer.

Certaines surfaces peuvent avoir des bords tranchants. Faire attention en étendant le bras derrière l'appareil ou en dessous.

AVERTISSEMENT

RISQUE DE BLESSURE

Si l'appareil n'est pas correctement fixé au mur, il risque de tomber. Tous les éléments de fixation doivent être montés solidement et de façon sûre.

Codes et normes de sécurité

Cet appareil est conforme à la version la plus récente de l'une ou plusieurs des normes suivantes :

- UL 507 - Ventilateurs électrique (Electric Fans)
- CAN/CSA C22.2 No. 113 - Ventilateurs et soufflantes (Fans and Ventilators)

Il incombe à l'installateur de déterminer si des exigences et/ou normes additionnelles s'appliquent pour des installations spécifiques.

Sécurité électrique

AVERTISSEMENT

RISQUE DE CHOC ÉLECTRIQUE OU D'INCENDIE

Le cadre est mis à la terre au neutre par le conducteur de terre. La mise à la terre par le conducteur neutre est interdite pour les nouvelles installations de circuit terminal (NEC 1996), les maisons mobiles et les véhicules de plaisance ou dans les endroits où les codes locaux interdisent la mise à la terre par un conducteur neutre.

Pour les installations où la mise à la terre par le conducteur neutre est interdite,

- a. débrancher la liaison du neutre,
 - b. utiliser la borne de terre ou le fil pour mettre l'appareil à la terre,
 - c. brancher la borne neutre sur le fil neutre du circuit terminal de la façon habituelle (lorsque l'appareil doit être branché au moyen d'un nécessaire de cordon, utiliser un cordon à 4 fils homologué par l'Underwriters Laboratory prévu à cet effet).
-

INSTRUCTIONS DE MISE À LA TERRE

Cet appareil doit être mis à la terre. En cas de court-circuit électrique, la mise à la terre réduira le risque de choc électrique en offrant au courant électrique un fil d'évacuation.

Cet appareil doit être raccordé à un système de câblage métallique permanent avec mise à la terre ou un conducteur de mise à terre devrait être utilisé avec les conducteurs de circuit et raccordé au terminal de mise à la terre ou à la conduite sur l'appareil.

AVERTISSEMENT

Une mise à la terre inadéquate peut entraîner un risque d'électrocution. Consultez un électricien qualifié si vous ne comprenez pas parfaitement les instructions de mise à la terre ou si vous avez des doutes quant à la qualité de mise à la terre. N'utilisez pas de rallonge. Si le cordon d'alimentation est trop court, demandez à un électricien ou un technicien qualifié d'installer une prise à proximité de l'appareil.

CONSIGNES DE SÉCURITÉ IMPORTANTES

LIRE ET CONSERVER CES INSTRUCTIONS

AVERTISSEMENT

Avant de brancher un cordon électrique ou de mettre l'appareil sous tension, s'assurer que les commandes sont en position d'ARRÊT.

AVERTISSEMENT

RISQUE DE CHOC ÉLECTRIQUE OU D'INCENDIE

Le cadre est mis à la terre au neutre par le conducteur de terre. La mise à la terre par le conducteur neutre est interdite pour les nouvelles installations de circuit terminal (NEC 1996), les maisons mobiles et les véhicules de plaisance ou dans les endroits où les codes locaux interdisent la mise à la terre par un conducteur neutre.

Pour les installations où la mise à la terre par le conducteur neutre est interdite,

- a. débrancher la liaison du neutre,
 - b. utiliser la borne de terre ou le fil pour mettre l'appareil à la terre,
 - c. brancher la borne neutre sur le fil neutre du circuit terminal de la façon habituelle (lorsque l'appareil doit être branché au moyen d'un nécessaire de cordon, utiliser un cordon à 4 fils homologué par l'Underwriters Laboratory prévu à cet effet).
-

S'il y a lieu, conformément au Code national de l'électricité (ou au Code canadien de l'électricité), cet appareil doit être installé sur un circuit de dérivation séparé.

AVERTISSEMENT

Pour réduire le risque de feu ou de choc électrique, ne pas utiliser cet aérateur avec un variateur de vitesse à semi-conducteur.

Installateur – Indiquer au propriétaire l'emplacement du disjoncteur ou du fusible. Identifier sa position pour pouvoir le retrouver facilement.

Avant l'installation, mettre l'appareil hors service au panneau de service. Verrouiller le panneau d'entrée d'électricité pour éviter que le courant ne soit accidentellement rétabli.

AVERTISSEMENT

POUR RÉDUIRE LE RISQUE D'INCENDIE, D'ÉLECTROCUTION, OU DE BLESSURES PERSONNELLES, RESPECTEZ LES INDICATIONS SUIVANTES :

- Utilisez cet appareil uniquement de la façon recommandée par le fabricant. Pour toutes questions, veuillez contacter le fabricant.
 - Avant de réparer ou de nettoyer l'appareil, débranchez l'alimentation au panneau de service et verrouillez l'interrupteur d'alimentation pour éviter que l'alimentation ne soit rétablie accidentellement.
Lorsque l'interrupteur d'alimentation ne peut pas être verrouillé, fixez un accessoire d'avertissement visible et adéquat, comme une étiquette, au panneau de service.
-

S'assurer que l'appareil est installé et mis à la terre par un technicien qualifié. L'installation, les connexions électriques et la mise à la terre doivent être conformes à tous les codes applicables.

AVERTISSEMENT

RISQUE DE CHOC ÉLECTRIQUE

Les pièces se trouvant dans l'appareil peuvent présenter des arêtes vives. Le cordon de branchement peut être endommagé. Ne pas couder ni coincer le cordon de branchement pendant la pose.

Sécurité apparentée concernant l'équipement

Enlever le ruban adhésif et l'emballage avant d'utiliser l'appareil. Détruire l'emballage après avoir déballé l'appareil. Ne jamais laisser les enfants jouer avec les matériaux de conditionnement.

Pour assurer une utilisation sécuritaire de l'appareil, ce dernier doit être installé par un technicien qualifié conformément aux instructions d'installation. L'installateur est responsable de tous les dommages causés par une installation inadéquate.

Ne jamais modifier ni altérer la configuration de l'appareil. Par exemple, ne pas retirer les pieds de nivellement, les panneaux, les couvercles de câblage ou les fixations/vis antibasculement.

Avertissements de la Proposition 65 de l'État de la Californie

AVERTISSEMENT

Ce produit contient des produits chimiques connus de l'État de la Californie pour causer le cancer, des anomalies congénitales ou d'autres problèmes de reproduction.

Causes des dommages

AVIS:

- Risque de détérioration par la corrosion. Toujours allumer l'appareil pendant la cuisson afin d'éviter la formation de condensation. Cette dernière peut provoquer de la corrosion.
- Remplacez toujours immédiatement les ampoules défectueuses pour éviter de surcharger les ampoules restantes.
- Risque de détérioration par pénétration d'humidité dans l'électronique. Ne jamais nettoyer les commandes avec un chiffon humide.
- Détérioration de la surface par un nettoyage inapproprié. Nettoyer les surfaces en inox seulement dans le sens du métal. Ne pas utiliser de nettoyant à inox pour les organes de commande.
- Détérioration des surfaces par les produits de nettoyage agressifs ou abrasifs. Ne jamais utiliser de produits de nettoyage agressifs ou abrasifs.
- Risque d'endommagement par le reflux de condensat. Installer le canal d'évacuation d'air légèrement incliné vers le bas à partir de l'appareil (1° de pente).

Protection de l'environnement

Déballez l'appareil et jetez l'emballage dans le respect de l'environnement.

Instructions générales

Mode évacuation

Remarque : Il ne faut pas rejeter l'air usé dans une cheminée d'évacuation en service, ni dans un conduit servant à la ventilation de pièces où sont installés des foyers.

- Pour rejeter l'air dans un conduit de fumées qui n'est pas en service, il faut demander l'accord du maître ramoneur compétent.
- Si l'air est évacué à travers le mur extérieur de l'habitation, il faut utiliser un caisson mural télescopique.

Conduit d'évacuation

Remarque : L'installateur est responsable de l'installation et du fonctionnement appropriés des éléments en lien avec les conduits. Une installation inadéquate affectant l'utilisation de l'appareil n'est pas la responsabilité du fabricant de l'appareil.

- L'appareil atteindra un rendement supérieur si le conduit d'évacuation est court et droit et que son diamètre est grand.
- Si les tuyaux d'évacuation sont longs, présentent de trop de coudes ou ont un diamètre inférieur à 6 po (150 mm), la puissance maximale d'aspiration ne sera pas atteinte et le ventilateur fera plus de bruit.
- Les tuyaux rigides ou souples constituant le conduit d'évacuation doivent être en matériau ininflammable.

Tuyaux ronds

Nous recommandons un diamètre intérieur de 6 po (150 mm), avec un minimum de 4 ¾ po (120 mm).

Gaines plates

La section intérieure doit correspondre au diamètre des tuyaux ronds.

Ø 6 po (150 mm) env. 27½ pouce carré (177 cm²)

Ø 4 ¾ po (120 mm) env. 26¾ pouce carré (113 cm²)

- Les gaines plates ne doivent pas présenter de déviements trop importants.
- Pour raccorder des tuyaux de diamètres différents, utiliser du ruban d'étanchéité.

Branchement électrique

▲ AVERTISSEMENT

RISQUE DE CHOC ÉLECTRIQUE

Les pièces se trouvant dans l'appareil peuvent présenter des arêtes vives. Le cordon de branchement peut être endommagé. Ne pas couder ni coincer le cordon de branchement pendant la pose.

Une alimentation électrique par courant alternatif de 120 V et 60 Hz est requise sur un circuit distinct de 15 A muni d'un fusible.

Avant de raccorder l'appareil, vérifier l'installation domestique. Veiller à ce que la protection de l'installation domestique soit appropriée. La tension et la fréquence de l'appareil doivent correspondre à l'installation électrique (voir la plaque signalétique).

L'appareil répond à la classe de protection I et doit uniquement être utilisé avec une prise de terre.

Un sectionneur omnipolaire avec un interstice d'ouverture de contact d'au moins 3 mm doit être

présent dans l'installation. Celui-ci doit encore être accessible après l'encastrement.

Seul un électricien agréé est habilité à installer ou à remplacer le câble de raccordement, en respectant les prescriptions en vigueur.

Respecter toutes les normes et lois en vigueur.

Veiller à ce que le raccordement électrique réponde aux exigences de toutes les normes et lois applicables dans le pays correspondant et aux spécifications des éditions les plus récentes des normes suivantes : National Electrical Code, ANSI/NFPA 70, ou normes CSA C22.1-94, Code canadien de l'électricité, partie 1 et C22.2 No.0-M91.

Faire contrôler par un électricien le raccordement à la terre de l'appareil.

Ne pas mettre à la terre avec une canalisation de gaz.

S'assurer de ne pas avoir de fusible dans le circuit électrique neutre ou de mise à la terre.

Conserver la notice de montage. Raccorder l'appareil uniquement avec un câblage de cuivre. Raccorder l'appareil si possible avec un guide de câble métallique directement au boîtier à fusibles.

Le diamètre du fil doit répondre aux exigences de toutes les normes et lois applicables dans le pays correspondant et aux spécifications des éditions les plus récentes des normes suivantes : National Electrical Code ANSI/NFPA 70, ou normes CSA C22.1-94, Code canadien de l'électricité, partie 1 et C22.2 No. 0-M91.

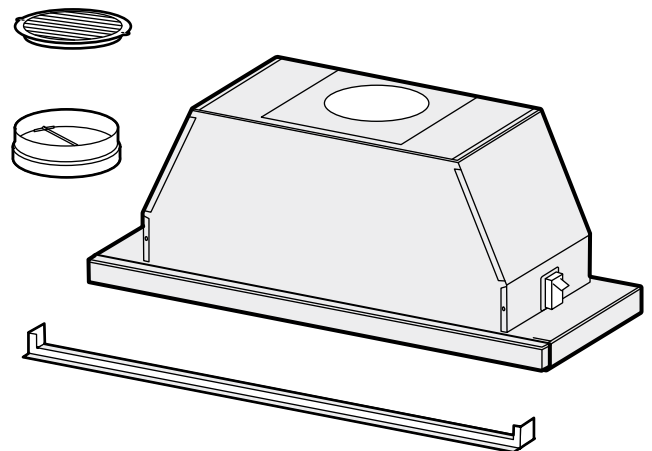
Fixer une gaine de protection figurant dans la liste U.L. ou C.S.A. aux deux extrémités du câble de raccordement, à savoir au niveau de l'appareil et au boîtier à fusibles.

Avant de commencer

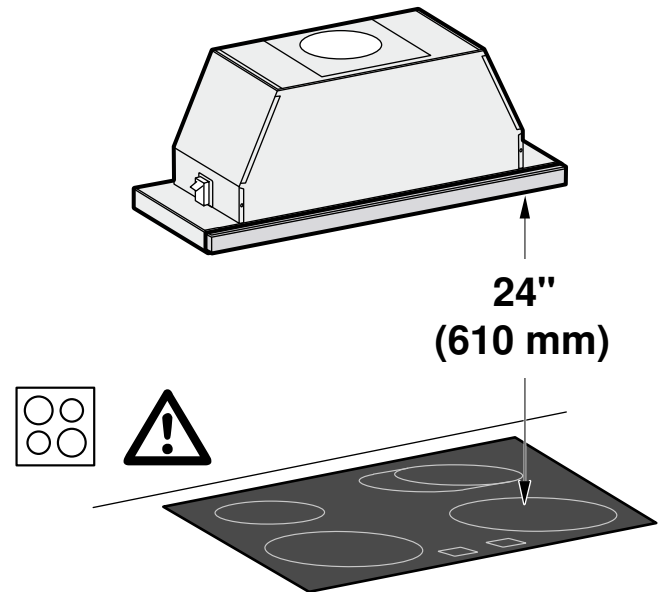
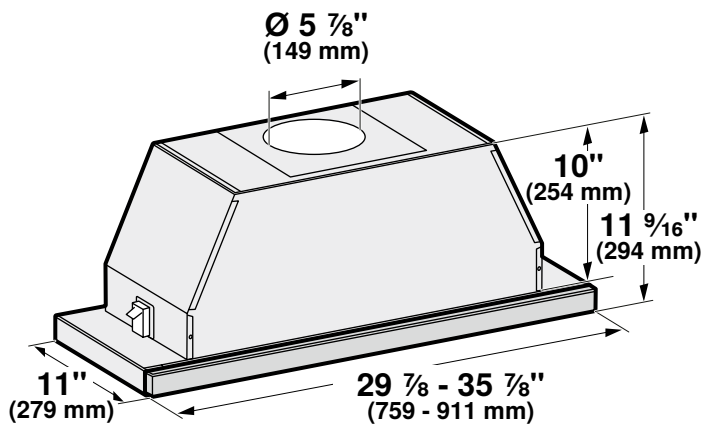
Outils et pièces nécessaires

- Scie sabre ou scie sauteuse
- Foret
- 1 1/4 po foret à bois
- Pince
- Tournevis Philips
- Pince à dénuder ou couteau de travail
- Cisaille à métaux
- Ruban de mesure ou mètre pliant
- Niveau à bulle
- Crayon
- Pistolet à joint
- Bande isolante

Pièces comprises



Cotes de l'appareil



Distances de sécurité

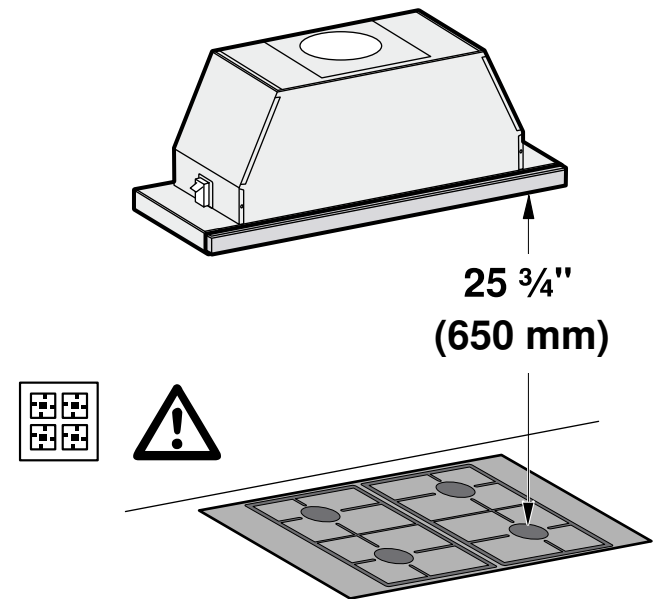
⚠ AVERTISSEMENT

RISQUE D'INCENDIE

Les dépôts de graisse dans le filtre à graisse peuvent s'enflammer. La distance de sécurité recommandée doit être respectée afin d'éviter une accumulation de chaleur. Veuillez respecter les spécifications de votre appareil de cuisson. Si des cuisinières électriques et à gaz sont utilisées ensemble, la plus grande distance indiquée s'applique.

L'appareil peut seulement être installé directement contre un mur ou une armoire sur un côté.

L'espacement du mur ou de l'armoire doit être d'au moins 2" (50 mm).

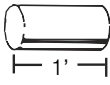
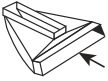
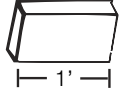
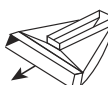








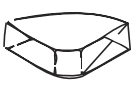


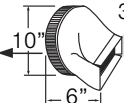

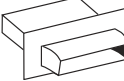



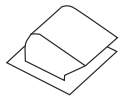


La distance entre la surface de rangement sur la table de cuisson et le dessous de la hotte aspirante ne doit pas être inférieure à 24 po (610 mm) pour les tables de cuisson électriques et 25 3/5 po (650 mm) pour les cuisinières à gaz ou combinées.

Si les instructions pour l'installation de l'appareil de cuisson au gaz spécifient une plus grande distance, celle-ci doit être prise en compte.

Prévoir la gaine d'air

Pour un rendement satisfaisant, la longueur du conduit ne doit pas excéder 50 pieds s'il passe au moyen du conduit rond de 6 po requis.

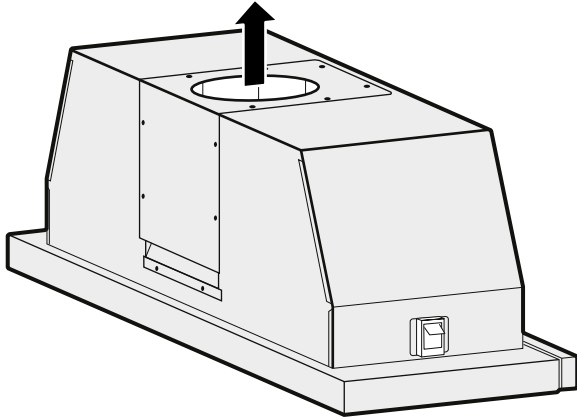
PIÈCES DE CONDUIT	DIM.	LONGUEUR	QUENTITÉ	LONGUEUR TOTALE	PIÈCES DE CONDUIT	DIM.	LONGUEUR	QUENTITÉ	LONGUEUR TOTALE	
 DROIT ROND 1'	6"	1.2'			 3/4"x10" CENTRÉ INVERSÉ, □ COUDE GAUCHE	N/A	15'			
	7"	0.95'								
	8"	0.7'								
	10"	0.6'								
 3/4"x10" DROIT 1'	3/4"x10" DROIT	1'			 3/4"x10" CENTRÉ INVERSÉ, □ COUDE DROIT	N/A	25'			
	3/4"x14" DROIT	0.7'								
 COUDE ROND □ 90°	6"	12'			 3/4"x10" COUDE INVERSÉ □ DROIT	N/A	25'			
	7"	8'								
	8"	6'								
 COUDE ROND 45°	6"	5'			 3/4"x10" COUDE INVERSÉ GAUCHE	N/A	15'			
	7"	4'								
	8"	3'								
 COUDE 90° 3/4"x10"	N/A	5'			 CAPUCHON MURAL ROND Mod #WC8 Mod #WC10		2'			
										6"
										7"
										8"
 COUDE 45° 3/4"x10"	N/A	15'			 CAPUCHON DE TOIT ROND		2'			
										6"
										7"
 COUDE PLAT 3/4"x10"	N/A	20'			 2 pi LONG FLEX 3/4"x10" □ MOD. #RD 1		20'			
										6"
										7"
 ROND A 3/4"x10"	6"	1'			 3/4" 3/4"x10" a ROND 10" 6"		1'			
	7"	1'								
 ROND A □ 3/4"x10"	6"	5'			 CAPUCHON MURAL 3/4"x10"		2'			
	7"	3'								
 ROND A 3/4"x10" COUDE 90°	6"	10'			 REGISTRE DE TIRAGE ARRIÈRE EN LIGNE 7"		5'			
	7"	8'								
 3/4"x10" A ROND COUDE 90°	6"	10'			 PRISE DE TOIT 3/4"x10" ET PERSIENNE Mod #RJ310		5'			
	7"	5'								
TOTAL										

Préparation de l'appareil

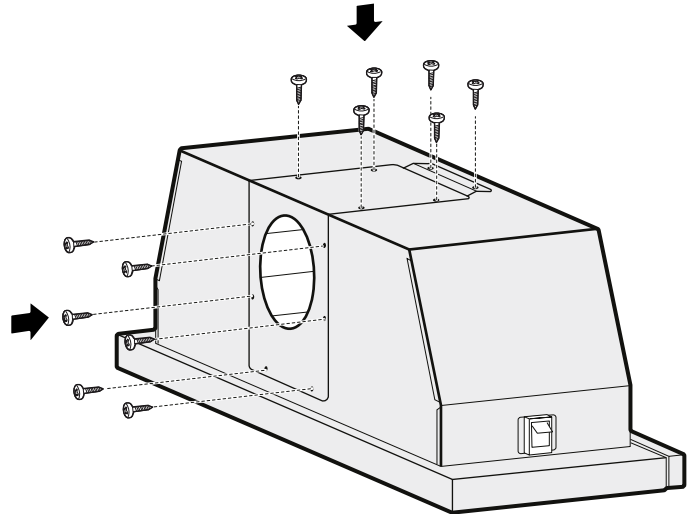
Pour mieux correspondre à la situation de montage, vous pouvez positionner la sortie d'air sur le haut ou à l'arrière en tournant le bloc moteur.

Positionner la sortie d'air sur le dessus

Remarque : À la livraison, vous pouvez monter le conduit d'évacuation sur le haut de la hotte aspirante.



2. Soulever le bloc moteur avec précaution du corps de hotte.
3. Tourner le bloc moteur.
4. Visser le bloc moteur au corps de hotte.



La sortie d'air est positionnée à l'arrière.

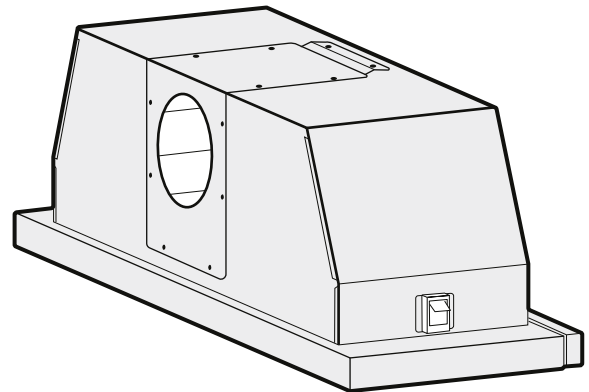
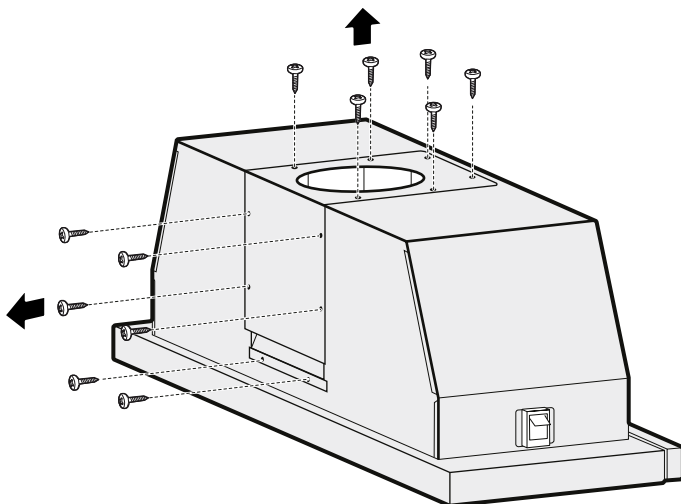
Positionner la sortie d'air arrière

⚠ AVERTISSEMENT

RISQUE DE BLESSURE

Les pièces se trouvant dans l'appareil peuvent présenter des arêtes vives. Porter des gants de protection.

1. Desserrer les vis du bloc moteur.

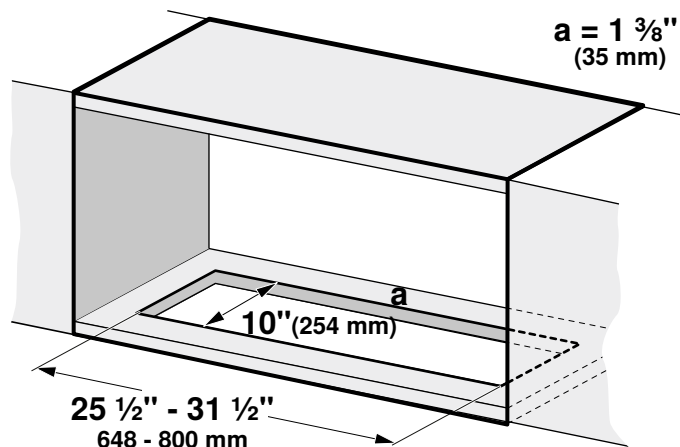


Préparation du meuble

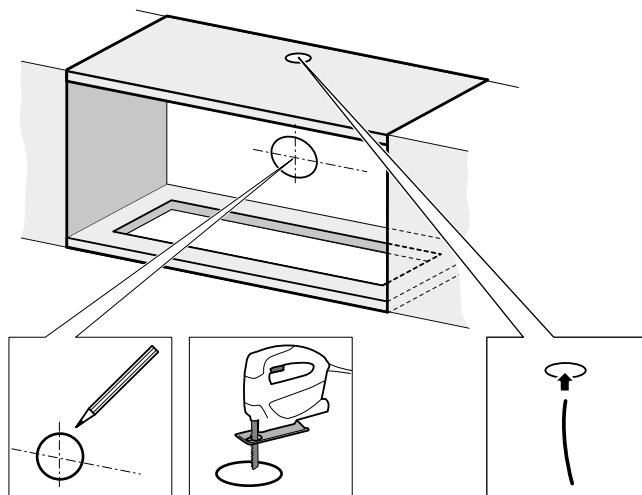
Le meuble d'encastrement doit résister à des températures jusqu'à 194° F (90 °C). La stabilité du meuble d'encastrement doit aussi être garantie après les travaux de découpe.

Enlever les copeaux après les travaux de découpe.

1. Réaliser la découpe dans le meuble d'encastrement.

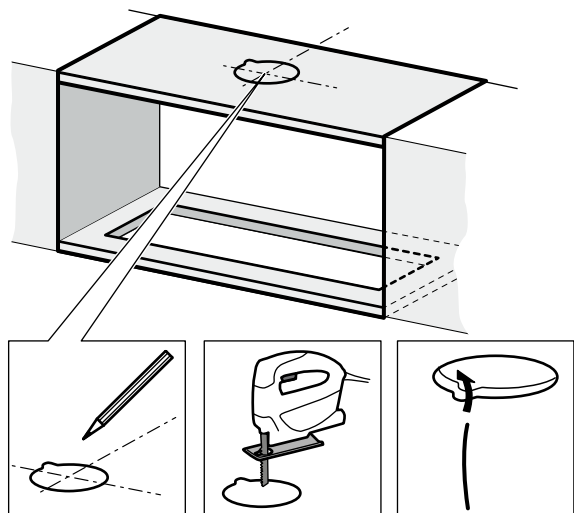


Orifice d'évacuation d'air derrière le meuble d'encastrement :



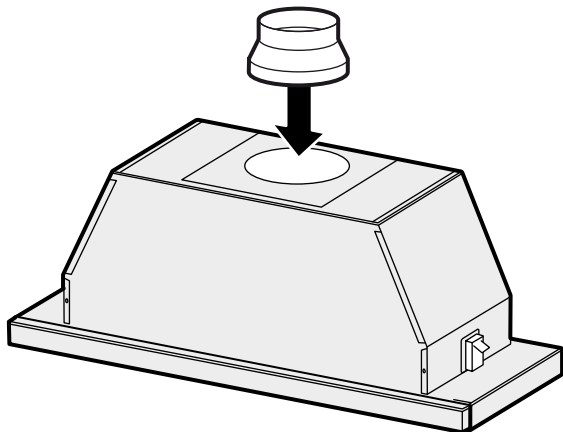
2. Pratiquer la découpe pour le conduit d'évacuation :

Orifice d'évacuation d'air au-dessus du meuble d'encastrement :

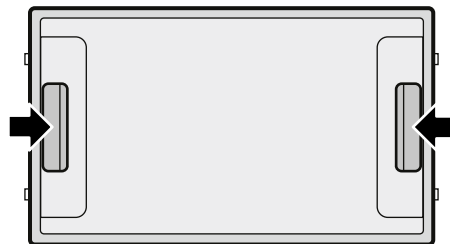


Encastrement de l'appareil

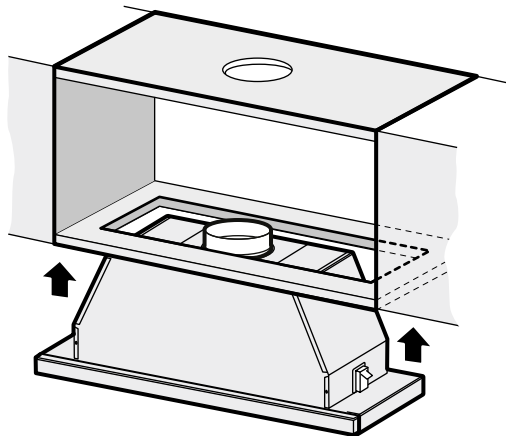
1. Pousser le clapet anti-retour sur la sortie d'air.



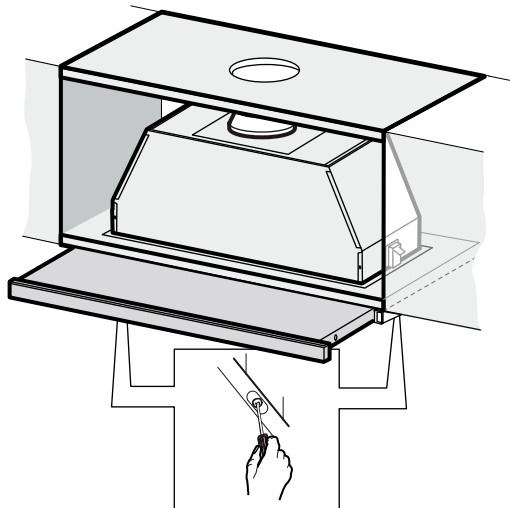
4. Démonter les deux filtres à graisse arrière.



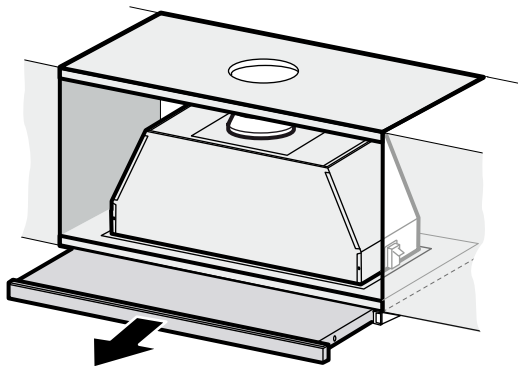
2. Introduire l'appareil dans la découpe.



5. Serrer les deux vis de fixation.

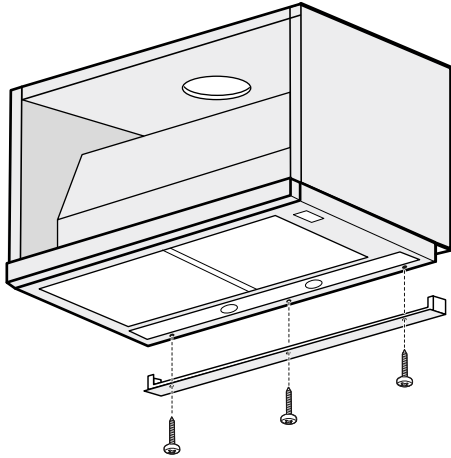


3. Retirer le tiroir-filtre.



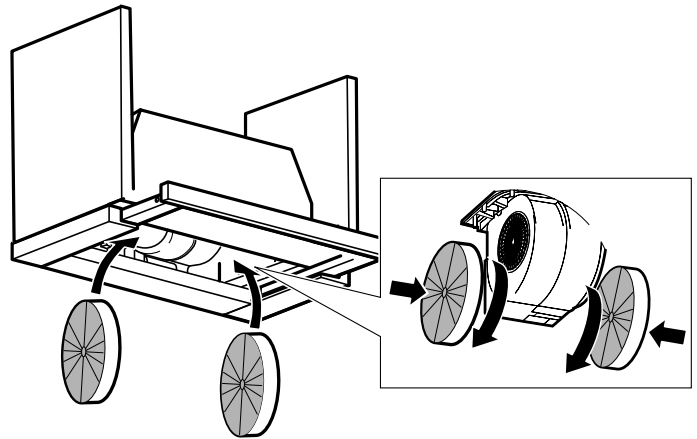
6. Fixer les caches en plastique sur la hotte aspirante afin de protéger le meuble d'encastrement des vapeurs de cuisson.

Remarque : Raccourcir les caches en plastique à la profondeur du meuble d'encastrement.



7. En option pour le mode recirculation de l'air : Introduire le filtre à charbon actif sur le moteur et tourner.

Numéro de commande de filtre à charbon :
HIUF06UC



Brancher l'appareil

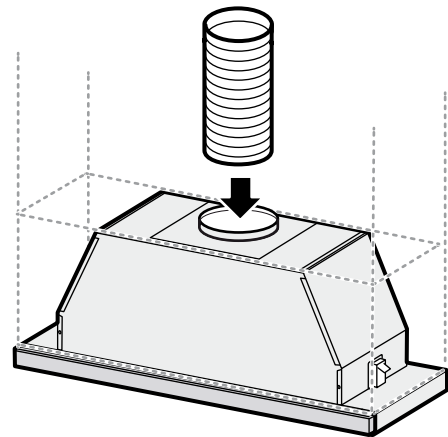
Remarques

- En mode Évacuation de l'air, un volet anti-refoulement doit être installé. Si un volet anti-refoulement n'est pas fourni avec l'appareil, il peut être acheté dans un commerce spécialisé.
- Si l'air sortant traverse la paroi extérieure, il faudrait utiliser un caisson télescopique mural.
- En cas d'utilisation d'un tuyau en aluminium, lisser au préalable la zone de raccordement.

Conduit d'évacuation Ø 6 po (150 mm) (diamètre recommandé).

Effectuer le raccordement de l'évacuation de l'air

Remarque : En cas d'utilisation d'un tuyau en aluminium, lisser au préalable la zone de raccordement.

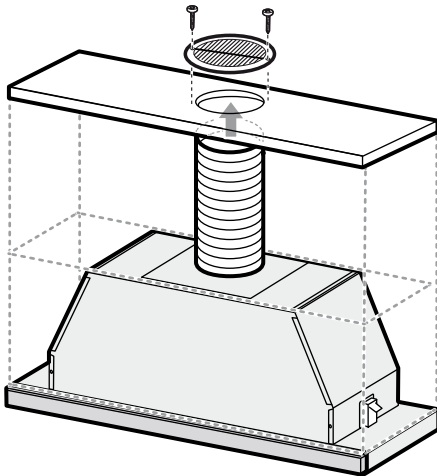


1. Fixer le conduit d'évacuation directement sur le manchon d'évacuation.
2. Effectuez la jonction vers l'orifice d'évacuation d'air.
3. Étanchez les zones de jonction de façon appropriée.

Réaliser le raccordement de l'air de circulation

Remarques

- En cas d'utilisation d'un tuyau en aluminium, lisser au préalable la zone de raccordement.
- Monter la grille orientée de manière à ce que l'air puisse circuler librement.



1. Fixer le conduit d'évacuation directement sur le manchon d'évacuation.
2. Réaliser la jonction vers l'orifice d'évacuation d'air du meuble d'encastrement.
3. Visser la grille orientée sur le meuble d'encastrement.
4. Étancher les zones de jonction de façon appropriée.

Installation électrique

⚠ AVERTISSEMENT

Le raccordement électrique de l'appareil doit être effectué par un électricien qualifié.

⚠ ATTENTION

Avant l'installation, éteindre le disjoncteur du panneau de service. Attacher le disjoncteur pour empêcher qu'il allume accidentellement l'alimentation électrique.

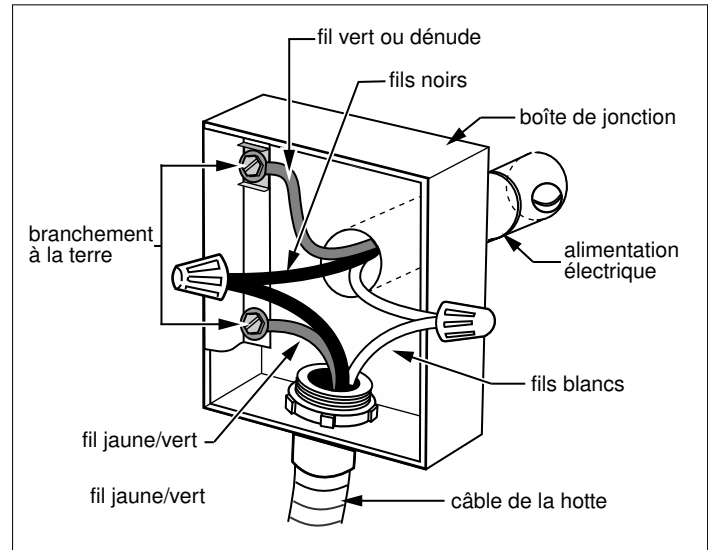
⚠ AVERTISSEMENT

Les codes locaux peuvent varier; l'installation, les raccordements électriques et la mise à la terre doivent se conformer à tous les codes locaux applicables.

Si les codes locaux autorisent la mise à la terre au moyen d'un point neutre d'alimentation électrique, connectez à la fois le fil neutre blanc et le fil de mise à la terre dénudé de la hotte au fil d'alimentation électrique neutre blanc.

Connexion à trois fils de 120 V

Retirez le couvercle du compartiment de câblage externe avec un tournevis Phillips. Faites passer le câble d'alimentation électrique dans l'entrée électrique à défoncer.



Branchez le câble d'alimentation électrique au câble de la hotte de l'appareil :

- Branchez le fil blanc de la hotte au fil blanc de l'alimentation électrique dans le boîtier de raccordement.
- Branchez le fil noir de la hotte au fil noir de l'alimentation électrique dans le boîtier de raccordement.
- Branchez le fil vert ou le fil dénudé neutre de l'alimentation électrique à la vis de mise à la terre du boîtier de raccordement.

⚠ AVERTISSEMENT

RISQUE D'ÉLECTROCUTION

Ne retirez ou n'endommagez jamais le fil vert/jaune. Un manquement à suivre cette directive peut causer des blessures graves ou une électrocution.

Le câble de conduit est flexible à l'endroit où il est branché à la hotte.

Pour assurer l'entretien de l'appareil, le conduit flexible ne doit pas être raccourci et devrait être acheminé de façon à permettre un retrait temporaire de la hotte.

En utilisant les quatre trous présents, vissez le compartiment de câblage externe au mur ou à l'armoire en fonction de l'emplacement de votre câble d'alimentation électrique (les vis ne sont pas incluses). Remettez le couvercle en place.

Dépose de l'appareil

1. Débrancher l'appareil du réseau électrique.
2. Retirer le tiroir-filtre.
3. Démonter les deux filtres à graisse arrière.
4. Desserrer les vis de fixation.
5. Retirer l'appareil du meuble d'encastrement.

Service après-vente

Si votre appareil a besoin d'être réparé, notre service après-vente se tient à votre disposition.

Lors de votre appel, veuillez indiquer le numéro de produit (n° E) et le numéro de fabrication (n° FD), afin de nous permettre de mieux vous aider. Vous trouverez la plaque signalétique à l'intérieur de l'appareil (après avoir retiré le filtre à graisse en métal).

Pour éviter d'avoir à les rechercher en cas de besoin, vous pouvez inscrire ici les données de votre appareil et le numéro de téléphone du service après-vente.

N° E

N° FD

Service après-vente

Veillez noter que la visite d'un technicien du SAV n'est pas gratuite en cas de manipulation incorrecte, même pendant la période de garantie.

Veillez consulter l'annuaire du service après-vente ci-joint pour obtenir des informations sur les contacts dans tous les pays.

Faites confiance aux compétences du fabricant. Vous garantissez ainsi que la réparation sera effectuée par des techniciens de SAV formés qui disposent des pièces de rechange d'origine adaptées à votre appareil.

Contenido

Definiciones de Seguridad	33
INSTRUCCIONES DE SEGURIDAD IMPORTANTES ..	34
Seguridad con el manejo del electrodoméstico	35
Códigos y normas de seguridad	35
Seguridad con la electricidad	35
Seguridad relacionada con los equipos	36
Advertencias en virtud de la Proposición 65 del estado de California	36
Causas para los daños	37
Protección del medio ambiente	37
Información general	37
Funcionamiento con extracción de aire	37
Conducto de escape	37
Conexión eléctrica	37
Antes de empezar	38
Herramientas y piezas necesarias	38
Piezas incluidas	38
Dimensiones del equipo	39
Distancias de seguridad	39
Proyectar el canal de aire	40
Preparar el aparato	41
Colocar la salida de aire superior	41
Colocar la salida de aire trasera	41
Preparación de los muebles	42
Instalación del aparato	43
Conectar el aparato a la red eléctrica	44
Conexión de la salida de aire	44
Crear la conexión para la recirculación del aire	44
Instalación eléctrica	45
Desmontar el aparato	46
Servicio al Cliente	46

Encontrará más información sobre productos, accesorios, piezas de repuesto y servicios en internet: www.bosch-home.com y también en la tienda online: www.bosch-home.com/us/store

Definiciones de Seguridad

▲ ADVERTENCIA

Esto indica que se pueden producir lesiones graves o la muerte si no se cumple con esta advertencia.

▲ ATENCION

Esto indica que pueden producirse lesiones leves o moderadas si no se cumple con esta advertencia.

AVISO: Esto indica que puede producirse un daño al electrodoméstico o a la propiedad como resultado de la falta de cumplimiento de este aviso.

Nota: Esto lo alerta sobre información y/o consejos importantes.

INSTRUCCIONES DE SEGURIDAD IMPORTANTES

LEA Y CONSERVE ESTAS INSTRUCCIONES

INSTALADOR: DEJE ESTAS INSTRUCCIONES CON EL ELECTRODOMÉSTICO CUANDO HAYA FINALIZADO LA INSTALACIÓN.

IMPORTANTE: CONSERVE ESTAS INSTRUCCIONES PARA USO DEL INSPECTOR DE ELECTRICIDAD LOCAL.

ADVERTENCIA

Si no sigue la información de este manual exactamente, se puede ocasionar un incendio o una descarga eléctrica que puede causar daños materiales o lesiones personales.

ADVERTENCIA

No repare ni reemplace ninguna parte del electrodoméstico, a menos que esté específicamente recomendado en este manual. Nunca modifique ni altere la construcción del electrodoméstico. La instalación, servicio técnico o mantenimiento incorrectos pueden causar lesiones o daños materiales. Consulte este manual para su orientación. Remita todas las reparaciones a un centro de servicio técnico autorizado por la fábrica.

ADVERTENCIA

ADVERTENCIA – PARA REDUCIR EL RIESGO DE INCENDIO, CHOQUE ELÉCTRICO O LESIONES A LAS PERSONAS, OBSERVE LAS SIGUIENTES RECOMENDACIONES:

- El trabajo de instalación y el cableado eléctrico deben realizarse por personal calificado conforme a todos los códigos y estándares aplicables, incluyendo construcción contra incendios.
- Se requiere suficiente aire para la combustión y escape adecuado de gases por el conducto (chimenea) del equipo que quema combustible para evitar la contracorriente. Siga la directriz y las normas de seguridad del fabricante de equipos de calefacción, como las publicadas por La Asociación Nacional para la Protección contra Incendios (NFPA, por sus siglas en inglés) y la Sociedad Americana de Ingenieros en Calefacción, Refrigeración y Aire Acondicionado (ASHRAE, por sus siglas en inglés) y las autoridades locales correspondientes.
- Al cortar o perforar la pared o el techo, no dañe el cableado eléctrico u otras instalaciones ocultas.
- Los ventiladores entubados siempre deben ser ventilados hacia el exterior.

ADVERTENCIA

Al instalar la campana, deben cumplirse las reglamentaciones aplicables de las compañías de suministro de energía y las reglamentaciones regionales de construcción.

ADVERTENCIA

PELIGRO DE INCENDIO

Los depósitos de grasa en el filtro de grasa se pueden incendiar. Nunca trabaje con flama abierta cerca del equipo (por ejemplo con platillos flameados). Solamente instale el equipo cerca de un fogón para sustancias sólidas (p. ej. madera o carbón) si está disponible una cubierta cerrada que no se pueda quitar. No deben volar las chispas.

ADVERTENCIA

RIESGO DE INCENDIO

Cuando se usan simultáneamente varios quemadores de gas se genera mucho calor. El aparato de ventilación puede dañarse o incendiarse. El aparato de ventilación solo puede combinarse con quemadores de gas que no superen una potencia total máxima de 61,000 BTU/hr (18 kW). Al exceder la potencia total de 41,000 BTU/hr (12 kW) se deben observar los reglamentos locales respecto a la ventilación del área, tamaño del área y combinación con aparatos de ventilación en el modo de aire de extracción o aire de circulación.

ADVERTENCIA

Para reducir el riesgo de incendio y para hacer que el aire salga al exterior correctamente, asegúrese de que haya un conducto que lo dirija hacia afuera. No dirija el aire de salida hacia lugares cerrados, espacios dentro de paredes, techos, áticos, huecos sanitarios o garajes.

ADVERTENCIA

A fin de reducir el riesgo de incendio, utilizar únicamente conducciones de metal.

INSTRUCCIONES DE SEGURIDAD IMPORTANTES

LEA Y CONSERVE ESTAS INSTRUCCIONES

ADVERTENCIA

Cuando se utiliza la campana en modo de aire de escape simultáneamente con un quemador diferente que también usa la misma chimenea (como calentadores a gas, aceite o carbón, calentadores de flujo continuo, calentadores de agua) se debe asegurar que haya un suministro de aire fresco suficiente para las necesidades de combustión del quemador.

La operación segura es posible siempre que la subpresión de la habitación donde está instalado el quemador no supere los 4 Pa (0.04 mbar).

Esto es posible si el aire de combustión puede circular a través de aberturas que no puedan trabarse, como ser en puertas y ventanas, y a través de cajas de entrada/salida de aire en la pared, o mediante otras medidas técnicas, como enclavamiento recíproco, etc.

ADVERTENCIA

Evite la intoxicación por monóxido de carbono: proporcione una entrada de aire suficiente para que los gases de la combustión no vuelvan a ingresar en la habitación.

Una caja de entrada/salida de aire en la pared por sí sola no garantiza que no se superará el valor límite.

Nota: Al evaluar el requisito total, se debe tener en cuenta el sistema de ventilación combinado para todo el hogar. Esta norma no se aplica al uso de aparatos de cocina, como parrillas y hornos.

ATENCIÓN

Solo para la ventilación general. No utilizar para la extracción de sustancias y vapores peligrosos o explosivos.

Peligro de daños por recirculación del vapor condensado. Instalar el canal de salida de aire del aparato ligeramente inclinado hacia abajo (1° de desnivel).

Seguridad con el manejo del electrodoméstico

La unidad es pesada y se requieren al menos dos personas o un equipo adecuado para trasladarla. Las superficies ocultas pueden tener bordes filosos. Proceda con cuidado al intentar tomar el electrodoméstico por la parte trasera o desde abajo.

ADVERTENCIA

RIESGO DE LESIONES

Si el aparato no está fijado correctamente a la pared, puede caerse. Todos los elementos de fijación deben montarse debidamente.

Códigos y normas de seguridad

Este electrodoméstico cumple con la última versión de una o más de las siguientes normas:

- UL 507 - Ventiladores eléctricos (Electric Fans)
- CAN/CSA C22.2 No. 113 - Ventiladores (Fans and Ventilators)

Es responsabilidad del instalador determinar si se aplican otros requisitos y/o normas en instalaciones específicas.

Seguridad con la electricidad

ADVERTENCIA

RIESGO DE DESCARGA ELÉCTRICA O INCENDIO

La conexión a tierra del marco con el cable neutro debe realizarse a través de una correa de conexión a tierra. Se prohíbe hacer la conexión a tierra a través del conductor neutro para instalaciones nuevas de circuito derivado (1996 NEC), casas rodantes y vehículos recreativos, o en un área en la que los códigos locales prohíban la conexión a tierra a través del conductor neutro.

Para instalaciones en las que se prohíbe la conexión a tierra a través del conductor neutro,

- a. desconecte la conexión del conductor neutro,
 - b. use el borne de conexión a tierra o el hilo de conexión a tierra para conectar a tierra la unidad,
 - c. conecte el borne neutro al hilo neutro del circuito derivado como lo haría usualmente (cuando vaya a conectar el electrodoméstico a través de un conjunto de cables, use un cable de 4 conductores calificado por UL para este fin).
-

INSTRUCCIONES PARA LA CONEXIÓN A TIERRA

Este aparato debe estar conectado a tierra. En caso de un cortocircuito eléctrico, la conexión a tierra reduce el riesgo de descarga eléctrica proporcionando un cable de escape para la corriente eléctrica.

Este aparato debe estar conectado a un sistema permanente de cableado con toma a tierra, metálico, o debe tenderse un conductor de puesta a tierra de equipo con los conductores de circuito y conectarse a la terminal de tierra del equipo o al cable del aparato.

ADVERTENCIA

La incorrecta conexión a tierra puede provocar un riesgo de descarga eléctrica. Consulte a un electricista calificado si no comprende la totalidad de las instrucciones de conexión a tierra o si tiene alguna duda respecto de si el aparato está correctamente conectado a tierra. No use un cable de extensión. Si el cable de alimentación eléctrica es demasiado corto, solicite a un electricista calificado que instale una toma de corriente cerca del aparato.

INSTRUCCIONES DE SEGURIDAD IMPORTANTES

LEA Y CONSERVE ESTAS INSTRUCCIONES

ADVERTENCIA

Antes de enchufar un cable eléctrico o apagar la fuente de alimentación eléctrica, asegúrese de que todos los controles se encuentren en la posición OFF (Apagado).

ADVERTENCIA

RIESGO DE DESCARGA ELÉCTRICA O INCENDIO

La conexión a tierra del marco con el cable neutro debe realizarse a través de una correa de conexión a tierra. Se prohíbe hacer la conexión a tierra a través del conductor neutro para instalaciones nuevas de circuito derivado (1996 NEC), casas rodantes y vehículos recreativos, o en un área en la que los códigos locales prohíban la conexión a tierra a través del conductor neutro.

Para instalaciones en las que se prohíbe la conexión a tierra a través del conductor neutro,

- a. desconecte la conexión del conductor neutro,
 - b. use el borne de conexión a tierra o el hilo de conexión a tierra para conectar a tierra la unidad,
 - c. conecte el borne neutro al hilo neutro del circuito derivado como lo haría usualmente (cuando vaya a conectar el electrodoméstico a través de un conjunto de cables, use un cable de 4 conductores calificado por UL para este fin).
-

Si el Código Nacional Eléctrico (o el Código Eléctrico Canadiense) así lo requiere, este electrodoméstico debe instalarse en un circuito derivado por separado.

ADVERTENCIA

Para reducir el riesgo de choque eléctrico, no use este ventilador con ningún dispositivo de control de velocidad de estado sólido.

El instalador debe mostrar al propietario la ubicación del disyuntor o el fusible. Márquela para recordarla más fácilmente.

Antes de realizar la instalación, apague la alimentación eléctrica en el panel de servicio. Trabe el panel de servicio para impedir que se encienda accidentalmente la alimentación eléctrica.

ADVERTENCIA

PARA REDUCIR EL RIESGO DE INCENDIO, DESCARGA ELÉCTRICA O LESIONES SOBRE LAS PERSONAS, CUMPLIR LO SIGUIENTE:

- Utilizar esta unidad solo de la manera prevista por el fabricante. En caso de duda, ponerse en contacto con el fabricante.
- Antes de limpiar o realizar el mantenimiento de la unidad, desconectar la corriente en el cuadro de distribución y bloquear la desconexión de la distribución para evitar una conexión accidental de la corriente.

Si no es posible bloquear la desconexión de la distribución, colocar alguna forma de advertencia visible, como una nota, en el cuadro de distribución.

Asegúrese de que el electrodoméstico sea correctamente instalado y conectado a tierra por un técnico calificado. La instalación, las conexiones eléctricas y la conexión a tierra deben cumplir con todos los códigos correspondientes.

ADVERTENCIA

PELIGRO DE DESCARGA ELÉCTRICA

Los componentes dentro del equipo pueden tener bordes filosos. Puede dañarse el cable de conexión. No retorcer ni constreñir el cable durante la instalación.

Seguridad relacionada con los equipos

Retire toda la cinta y el embalaje antes de usar el electrodoméstico. Destruya el embalaje después de desembalar el electrodoméstico. Nunca deje que los niños jueguen con el material de embalaje.

Para garantizar la seguridad en el funcionamiento del electrodoméstico, este debe ser instalado por un técnico calificado con arreglo a estas instrucciones de montaje. El instalador es responsable de cualquier daño que se produzca como consecuencia de una instalación incorrecta.

Nunca modifique ni altere la construcción del electrodoméstico. Por ejemplo, no retire las patas niveladoras, paneles, cubiertas para cables ni soportes/tornillos antivuelco.

Advertencias en virtud de la Proposición 65 del estado de California

ADVERTENCIA

Este producto contiene una o más sustancias químicas que el estado de California sabe que provocan cáncer, defectos congénitos, u otro daño reproductivo.

Causas para los daños

AVISOS:

- Peligro de daños por corrosión. Encender siempre el aparato cuando se vaya a cocinar con el fin de evitar la formación de agua condensada. El agua condensada puede conllevar daños por corrosión.
- Cambie siempre de inmediato los focos defectuosos para evitar una sobrecarga en los focos restantes.
- Peligro de daños por humedad que penetre en el sistema eléctrico. Nunca limpie los elementos de operación con trapos mojados.
- Daño en la superficie por limpieza inadecuada. Limpie las superficies de acero inoxidable solamente en dirección del tallado original. No utilice limpiador para acero inoxidable para elementos de servicio.
- Daño en la superficie por productos de limpieza agresivos o por frotación. Nunca use productos de limpieza agresivos o por frotación.
- Peligro de daños por recirculación del vapor condensado. Instalar el canal de salida de aire del aparato ligeramente inclinado hacia abajo (1° de desnivel).

Protección del medio ambiente

Saque el equipo de su empaque y elimine éste de forma ecológica.

Información general

Funcionamiento con extracción de aire

Nota: La emisión de los gases no se debe canalizar hacia una chimenea de humo o de gases de escape que esté en funcionamiento, ni hacia un tiro que sirva para sacar el aire de las habitaciones donde haya equipos con fuego.

- Si los gases de escape se van a canalizar hacia una chimenea de humo o de gases de escape que no esté en funcionamiento, se tiene que conseguir la aprobación del especialista en chimeneas correspondiente.
- Si las emisiones de gases se canalizan a través del muro externo, se tiene que utilizar una caja telescópica para muros.

Conducto de escape

Nota: El instalador es responsable de que la instalación y el funcionamiento del tramo del conducto sean correctos. Una instalación incorrecta que afecte al uso del electrodoméstico no es responsabilidad del fabricante del mismo.

- El aparato alcanza su potencia óptima con un conducto de salida de aire rectilíneo y corto, que tenga un diámetro lo más grande posible.
- Mediante conductos de salida de aire largos y rugosos, con tantos codos o con un diámetro inferior a 6" (150 mm), no se consigue la capacidad de aspiración óptima y los ruidos del ventilador serán mayores.
- Los tubos o las mangueras para el tendido del conducto de salida del aire deben estar fabricados con material no inflamable.

Conductos redondos

Se recomienda un diámetro interior de 6" (150 mm); el diámetro mínimo es de 4¾" (120 mm) en todo caso.

Conductos planos

La sección interior debe corresponder al diámetro de los conductos redondos.

6" (150 mm) Ø; aprox. 27½ pulg. cuadrada (177 cm²)
4¾" (120 mm) Ø; aprox. 26¾ pulg. cuadrada (113 cm²)

- Los conductos planos no deben presentar desvíos pronunciados.
- Si los diámetros del conducto difieren de lo anteriormente mencionado, utilizar cintas sellantes.

Conexión eléctrica

▲ ADVERTENCIA

PELIGRO DE DESCARGA ELÉCTRICA

Los componentes dentro del equipo pueden tener bordes filosos. Puede dañarse el cable de conexión. No retorcer ni constreñir el cable durante la instalación.

Se necesita un suministro eléctrico de solo CA de 120 voltios y 60 Hz en un circuito separado con fusible de 15 amperios.

Comprobar la instalación doméstica antes de conectar el aparato. Comprobar que la instalación doméstica dispone de los fusibles apropiados. El voltaje y la frecuencia del aparato deben coincidir con la instalación eléctrica del aparato (ver placa de características).

El aparato pertenece a la clase de protección I y solo puede utilizarse conectado a una conexión con conductor de toma a tierra.

Para la instalación se necesita un dispositivo de separación omnipolar con una abertura de contacto de 1/8" (3 mm) como mínimo. Este dispositivo debe estar accesible incluso después del montaje.

La colocación o la sustitución del cable de conexión solo puede llevarla a cabo un técnico electricista observando las instrucciones pertinentes.

Seguir todas las normas y disposiciones legales válidas.

Asegurarse de que la conexión eléctrica satisface las exigencias de todas las normas y disposiciones legales aplicables en cada país relativas a las últimas versiones de las siguientes normas: Código Eléctrico Nacional (NEC), ANSI/NFPA 70 o estándares CSA C22.1-94, Código Eléctrico Canadiense (CEC), parte 1 y C22.2 n.º 0-M91.

Solicitar a un instalador eléctrico que compruebe la toma a tierra del aparato.

No conectar a tierra con conducto de gas.

No debe colocarse ningún fusible en el circuito eléctrico neutro o en el de toma a tierra.

Conservar las instrucciones de montaje. Conectar el aparato solo con cable de cobre. De ser posible, conectar el aparato con una guía de cable metálica directamente a la caja de fusibles.

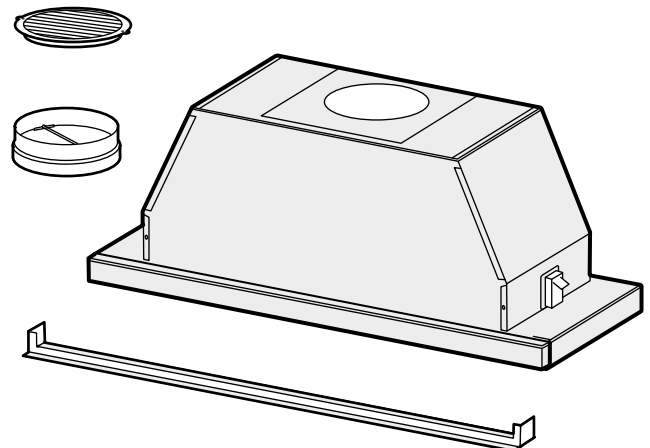
El diámetro del alambre debe cumplir las exigencias de todas las normas y disposiciones legales aplicables en cada país relativas a las últimas versiones de las siguientes normas: Código Eléctrico Nacional (NEC), ANSI/NFPA 70 o estándares CSA C22.1-94, Código Eléctrico Canadiense (CEC), parte 1 y C22.2 n.º 0-M91. Colocar un tubo aislante, incluido en la lista U.L. o C.S.A., en los dos extremos del cable de conexión, es decir, en el aparato y en la caja de fusibles.

Antes de empezar

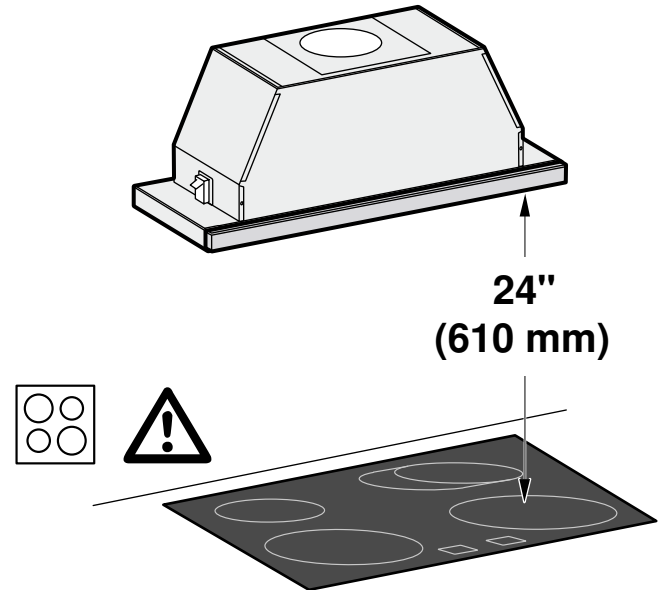
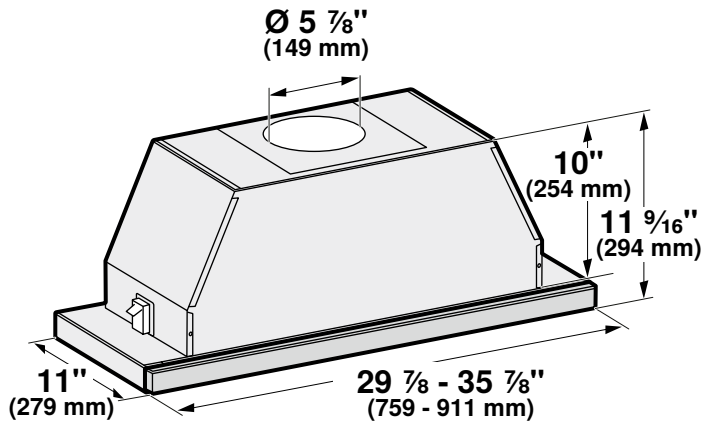
Herramientas y piezas necesarias

- Sierra sable o sierra de calar
- Taladro
- Broca para madera de 1 1/4"
- Pinzas
- Desarmador Phillips
- Pelacables o navaja
- Tijeras metálicas
- Cinta métrica o metro plegable
- Nivel de burbuja
- Lápiz
- Pistola de calafateo
- Cinta aislante

Piezas incluidas



Dimensiones del equipo



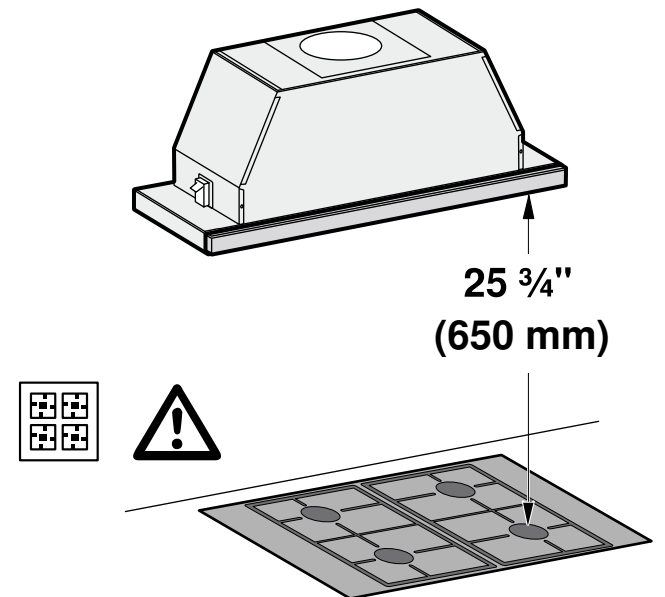
Distancias de seguridad

⚠ ADVERTENCIA

RIESGO DE INCENDIO

Los depósitos de grasa en el filtro antigrasa pueden incendiarse. Se debe observar el espacio libre de seguridad dado para evitar la acumulación de calor. Tener en cuenta las especificaciones de su aparato de cocción. Si se usan conjuntamente placas de cocción eléctricas y de gas, entonces aplicará el mayor espacio libre indicado.

El aparato solo se podrá instalar directamente junto a un gabinete o pared a un lado. El espacio libre de la pared o del gabinete debe ser por lo menos de 2'' (50 mm).



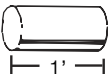
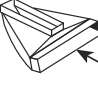
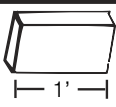
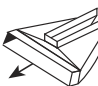




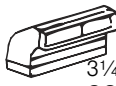

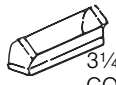

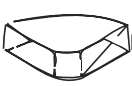
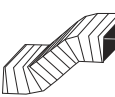

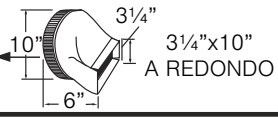

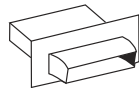



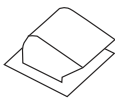
La distancia entre la superficie de apoyo sobre la placa de cocción y la parte inferior de la campana extractora no debe ser menor que 24'' (610 mm), en caso de placas de cocción eléctricas, y $25 \frac{3}{5}''$ (650 mm), en caso de estufas de gas o combinadas.

Cuando las instrucciones de instalación de la estufa de gas establecen una distancia mayor, esta deberá tenerse en cuenta.

Proyectar el canal de aire

Para un rendimiento satisfactorio, el recorrido del canal no debe superar el equivalente a 50 pies (15 m) si se

canaliza mediante el canal redondo necesario de 6" (150 mm) mínimo.

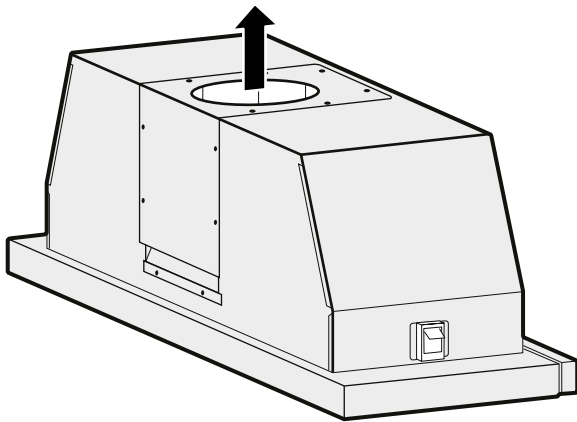
PIEZAS	TAM.	LONGITUD	CANTIDAD USADA	LONGITUD TOTAL	PIEZAS	TAM.	LONGITUD	CANTIDAD USADA	LONGITUD TOTAL	
 REDONDO TRAMO RECTO	6"	1.2'			 CODO REVERSIBLE CENTRAL IZQUIERDO DE 3 1/4"x10"	N/A	15'			
	7"	0.95'								
	8"	0.7'								
	10"	0.6'								
 3 1/4"x10" RECTO 3 1/4"x14" RECTO	1'				 CODO REVERSIBLE CENTRAL DERECHO DE 3 1/4"x10"	N/A	25'			
	0.7'									
 90° CODO REDONDO	6"	12'			 CODO REVERSIBLE DERECHO DE 3 1/4"x10"	N/A	25'			
	7"	8'								
	8"	6'								
 45° CODO REDONDO	6"	5'			 CODO REVERSIBLE IZQUIERDO DE 3 1/4"x10"	N/A	15'			
	7"	4'								
	8"	3'								
 3 1/4"x10" CODO DE 90°	N/A	5'			 CASQUETE REDONDO DE PARED Mod #WC8 Mod #WC10	6"	2'			
				7"						
				8"						
				10"						
 3 1/4"x10" CODO DE 45°	N/A	15'			 CASQUETE REDONDO DE TECHO	6"	2'			
				7"						
				8"						
 CODO PLANO DE 3 1/4"x10"	N/A	20'			 DUCTO FLEX DE 3 1/4"x10" DE 2' LONG MOD. #RD 1	20'				
 REDONDO A 3 1/4"x10"	6"	1'			 3 1/4"x10" A REDONDO	1'				
	7"	1'								
 3 1/4"x10" A REDONDO	6"	5'			 CASQUETE DE PARED 3 1/4"x10"	2'				
	7"	3'								
 CODO DE 90° REDONDO A 3 1/4"x10"	6"	10'			 Válvula de no-retorno de 7"	5'				
	7"	8'								
 CODO DE 90° 3 1/4"x10" A REDONDO	6"	10'			 Roof Jack & Shutter de 3 1/4"x10" Mod #RJ310	5'				
	7"	5'								
TOTAL										

Preparar el aparato

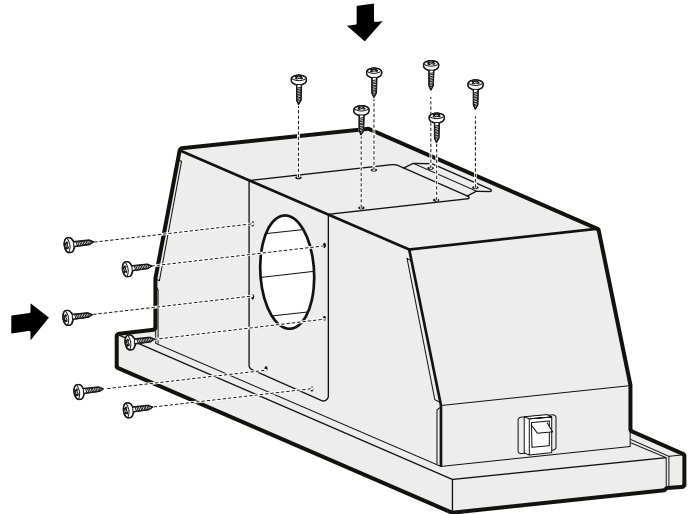
Para acceder mejor a la situación de montaje, se puede colocar la salida de aire encima o detrás con tan solo girar el motor.

Colocar la salida de aire superior

Nota: En el momento de la entrega se puede montar el tubo de salida de aire en la parte superior de la campana extractora.



2. Levantar con cuidado el motor del cuerpo de la campana.
3. Girar el motor.
4. Atornillar el motor en el cuerpo de la campana.



La salida de aire está situada atrás.

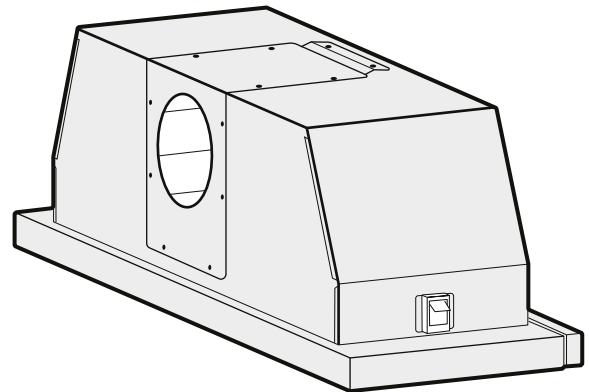
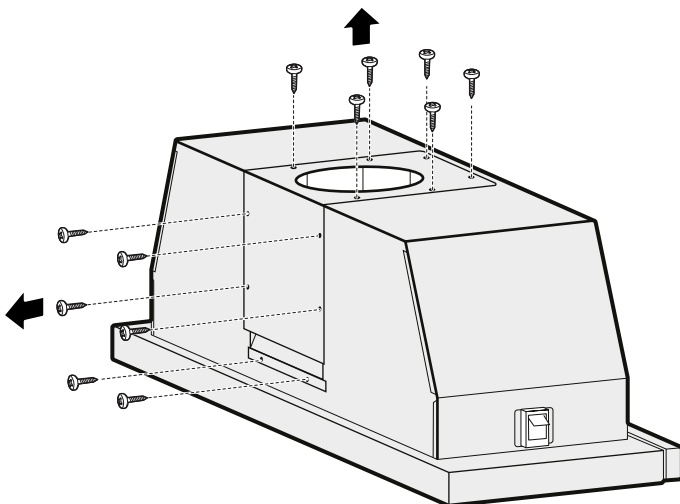
Colocar la salida de aire trasera

⚠ ADVERTENCIA

PELIGRO DE LESIONES

Los componentes dentro del equipo pueden tener bordes filosos. Utilice guantes protectores.

1. Aflojar los tornillos del motor.

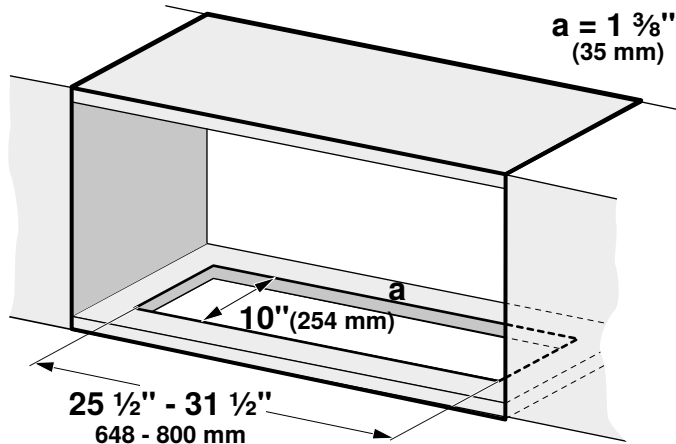


Preparación de los muebles

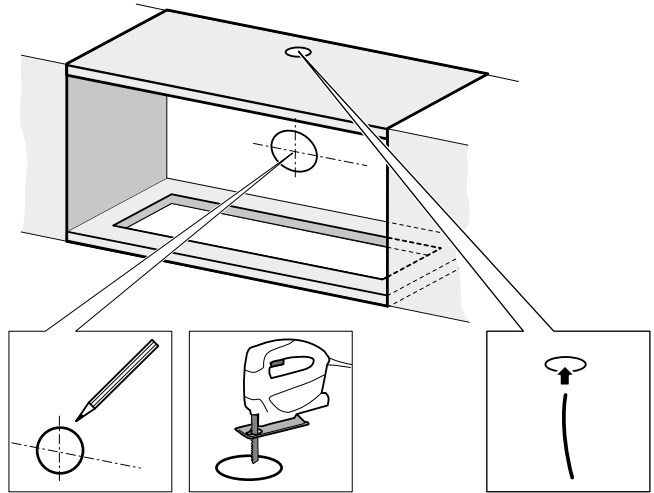
El mueble empotrado debe ser resistente a temperaturas de hasta 194° F (90 °C). La estabilidad del mueble empotrado debe quedar garantizada incluso tras el trabajo de corte.

Retirar las virutas después de los trabajos de corte.

1. Hacer el corte en el mueble empotrado.

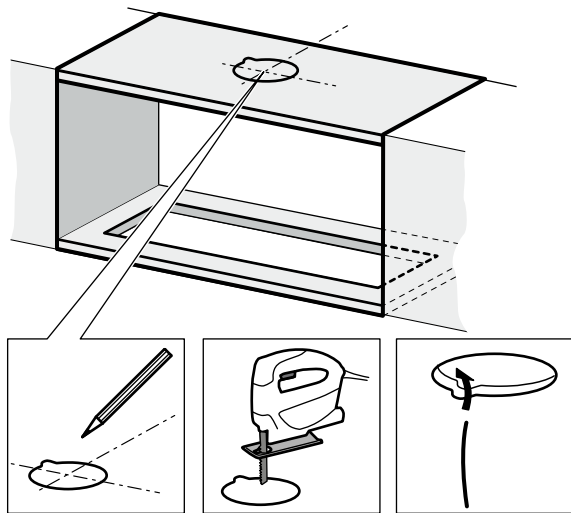


Abertura de salida de aire detrás del mueble empotrado:



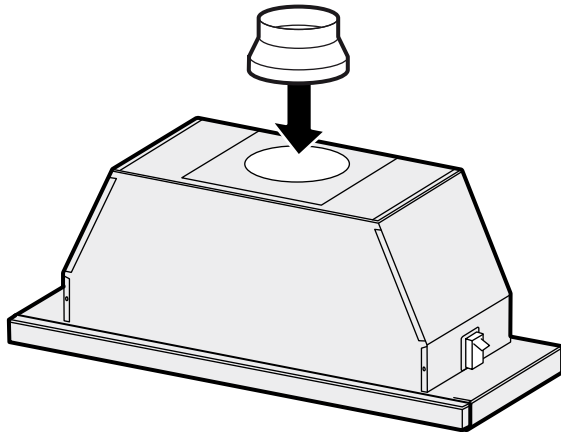
2. Hacer el corte para el tubo de salida de aire:

Abertura de salida de aire encima del mueble empotrado:

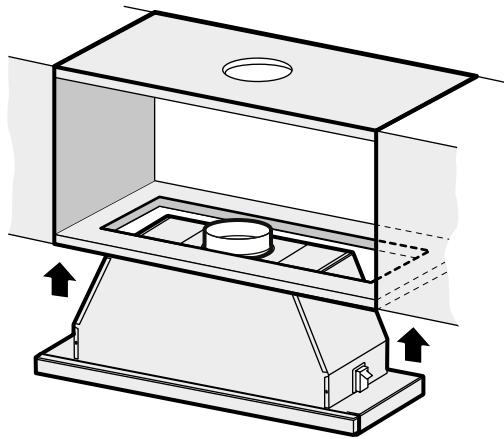


Instalación del aparato

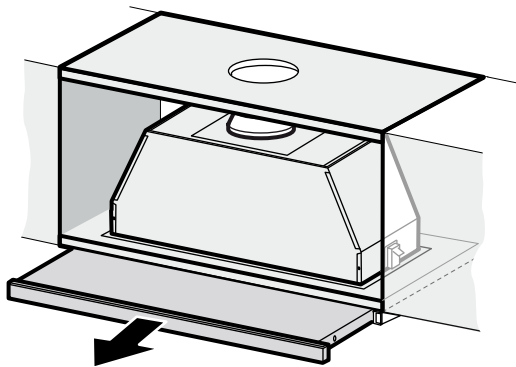
1. Empujar la válvula antirretorno en la salida de aire.



2. Introducir el aparato en el agujero.



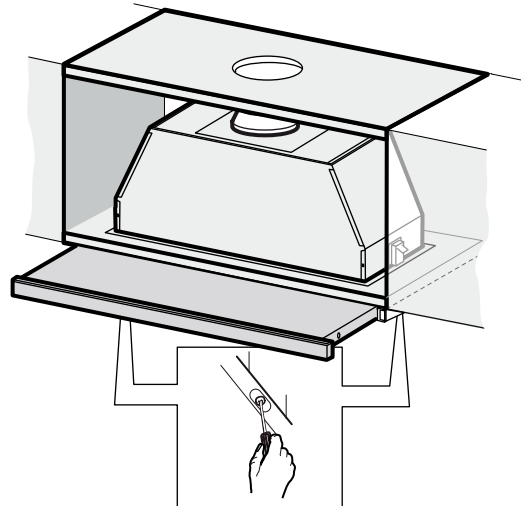
3. Extraer el cajón del filtro.



4. Desmontar los dos filtros antigrasa traseros.

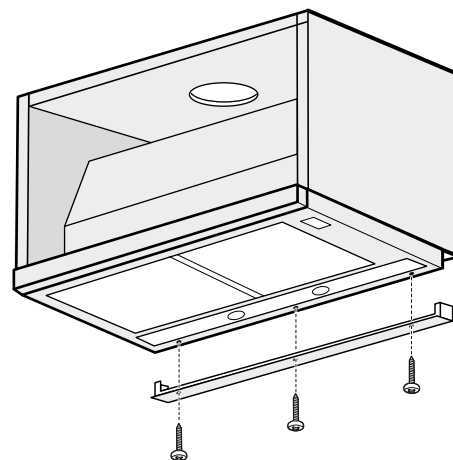


5. Apretar los dos tornillos de fijación.



6. Fijar el panel de plástico a la campana extractora para proteger el mueble empotrado del vapor de cocción.

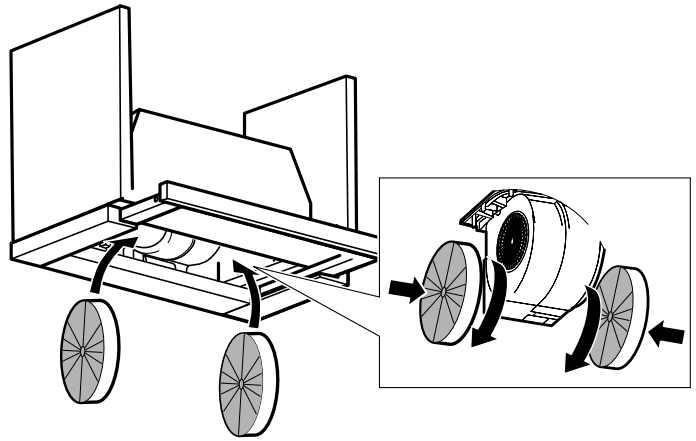
Nota: Recortar el panel de plástico a la profundidad del mueble empotrado.



7. Opcional para funcionamiento con recirculación de aire:

Colocar el filtro de carbón activo sobre el motor y girar.

Número de pedido de filtro de carbón: HIUF06UC



Conectar el aparato a la red eléctrica

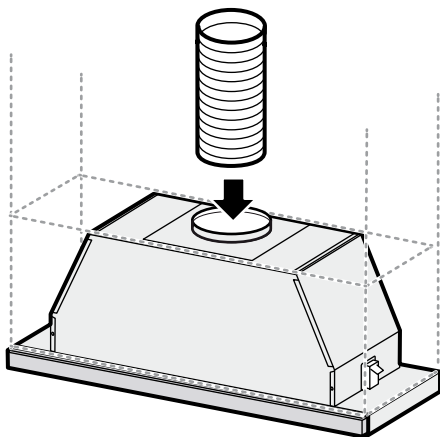
Notas

- En caso de evacuación exterior de aire, se debe montar una trampa antirretorno. Si no se incluye una trampa anti-retorno en el aparato, esta se puede adquirir en un comercio especializado.
- Si la salida de aire se evacua a través la pared exterior, se deberá utilizar un pasamuros telescópico.
- Si se utiliza un tubo de aluminio, pulir previamente la zona de conexión.

Conducto de salida de aire Ø 6" (150 mm) (tamaño recomendado).

Conexión de la salida de aire

Nota: Si se utiliza un tubo de aluminio, pulir previamente la zona de conexión.

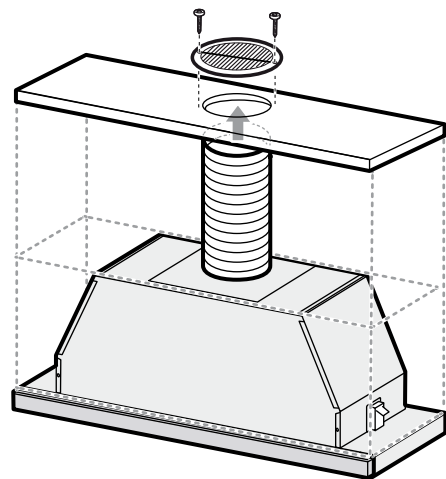


1. Fijar el tubo de aire de salida directamente en la tubuladura de aire.
2. Establecer la conexión con la abertura de salida de aire.
3. Sellar convenientemente los puntos de unión.

Crear la conexión para la recirculación del aire

Notas

- Si se utiliza un tubo de aluminio, pulir previamente la zona de conexión.
- Montar la rejilla de ventilación de manera que se permita la salida de aire.



1. Fijar el tubo de aire de salida directamente en la tubuladura de aire.
2. Establecer la conexión hacia la abertura del mueble empotrado.
3. Atornillar la rejilla de ventilación al mueble empotrado.
4. Sellar convenientemente los puntos de unión.

Instalación eléctrica

▲ ADVERTENCIA

La conexión eléctrica del aparato se debe llevar a cabo por un electricista calificado.

▲ ATENCION

Antes de la instalación, apague el disyuntor de la caja de fusibles. Trabe el disyuntor para impedir que se encienda accidentalmente la alimentación eléctrica.

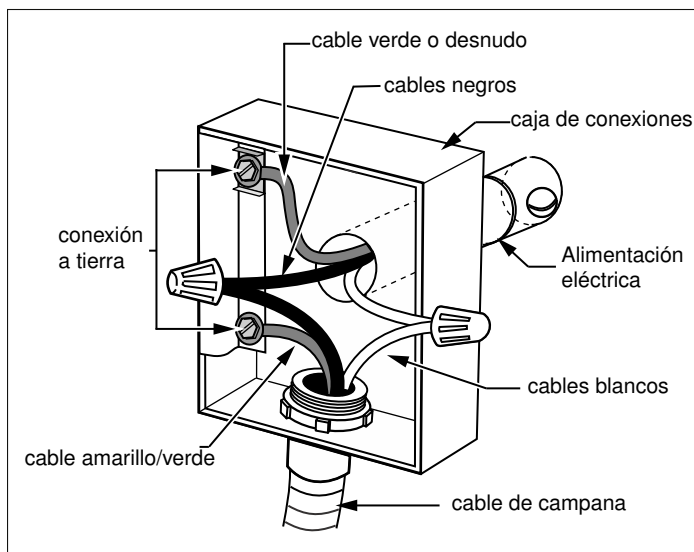
▲ ADVERTENCIA

Las normas locales pueden variar. La instalación, las conexiones eléctricas y la conexión a tierra deben cumplir con todas las normas locales vigentes.

Si las normas locales permiten efectuar la conexión a tierra a través de una red de suministro eléctrico neutral, conectar el cable blanco neutral y la toma de tierra desde la campana hasta el cable blanco neutral de la red de suministro.

Conexión de 120 V con tres cables

Retirar la tapa del compartimento de cableado con un destornillador Phillips. Introducir el cable de alimentación por el prepunzonado para uso eléctrico.



Conectar el cable de alimentación al cable de la campana extractora:

- Conectar el cable blanco de la campana al cable blanco de alimentación en la caja de conexiones.
- Conectar el cable negro de la campana al cable negro de alimentación en la caja de conexiones.
- Conectar el cable verde o neutro de alimentación al conector de torsión de la toma de tierra en la caja de conexiones.

▲ ADVERTENCIA

RIESGO DE DESCARGA ELÉCTRICA

No dañe o retire el cable verde/amarillo bajo ninguna circunstancia. Incumplir esto puede provocar lesiones mortales o descarga eléctrica.

El cable de conductos se dobla donde está conectado en la campana.

Para mantener la capacidad de servicio, el conducto flexible no se debe acortar y se debe tender para permitir la retirada temporal de la campana.

Empleando los 4 agujeros existentes, atornillar el compartimento de cableado a la pared o armario según requiera la localización del cable de alimentación (tornillos no incluidos). Volver a colocar la tapa.

Desmontar el aparato

1. Desconectar el aparato de la red eléctrica.
2. Extraer el cajón del filtro.
3. Desmontar los dos filtros antigrasa traseros.
4. Aflojar los tornillos de fijación.
5. Extraer el aparato del mueble empotrado.

Servicio al Cliente

Nuestro Servicio de Asistencia Técnica se encuentra a su disposición siempre que necesite la reparación de su aparato.

Indicar el número de producto (E) y el de fabricación (FD) para obtener un asesoramiento calificado. La placa de características con la numeración se encuentra en el interior del aparato (desmontar el filtro de metal antigrasa).

A fin de evitarse molestias llegado el momento, le recomendamos anotar los datos de su aparato así como el número de teléfono del Servicio de Asistencia Técnica en el siguiente apartado.

N.º de producto (E)	N.º de fabricación (FD)
----------------------------	--------------------------------

**Servicio de Asistencia
Técnica** 

Recuerde que, en caso de manejo incorrecto, la asistencia del personal del Servicio de Asistencia Técnica no es gratuita, incluso aunque esté dentro del período de garantía.

Consulte el directorio de Servicio al cliente adjunto para obtener los datos de contacto para todos los países.



9001096092

960209



BOSCH

Invented for life

1901 Main Street, Suite 600 • Irvine, CA 92614 • 800-944-2904
www.bosch-home.com • © 2015 BSH Home Appliances