

Hood

Use and Care Manual

HUI50351UC, HUI56551UC



BOSCH

Invented for life



Table of Contents

Safety Definitions	3
IMPORTANT SAFETY INSTRUCTIONS	4
General notes	4
Fire Safety	4
Burn Prevention	5
Child Safety	5
Cleaning Safety	6
Safe use	6
Proper Installation and Maintenance	6
State of California Proposition 65 Warnings	7
Causes of damage	8
Protecting the environment	8
Operating modes	8
Exhaust air mode	8
Circulating-air mode	8
Operating the appliance	9
Filter pull-out	9
Lighting	9
Cleaning and maintenance	9
Troubleshooting	12
Customer service	12
Accessories	13
STATEMENT OF LIMITED PRODUCT WARRANTY ...	13
What this Warranty Covers & Who it Applies to	13
How Long the Warranty Lasts	13
Repair/Replace as Your Exclusive Remedy	13
Out of Warranty Product	14
Warranty Exclusions	14

Additional information on products, accessories, replacement parts and services can be found at **www.bosch-home.com** and in the online shop **www.bosch-home.com/us/store**

Safety Definitions

▲ WARNING

This indicates that death or serious injuries may occur as a result of non-observance of this warning.

▲ CAUTION

This indicates that minor or moderate injuries may occur as a result of non-observance of this warning.

NOTICE: This indicates that damage to the appliance or property may occur as a result of non-compliance with this advisory.

Note: This alerts you to important information and/or tips.

IMPORTANT SAFETY INSTRUCTIONS

READ AND SAVE THESE INSTRUCTIONS

WARNING

When properly cared for, your new appliance has been designed to be safe and reliable. Read all instructions carefully before use. These precautions will reduce the risk of burns, electric shock, fire, and injury to persons. When using kitchen appliances, basic safety precautions must be followed, including those in the following pages.

General notes

Examine the appliance after unpacking it. In the event of transport damage, do not plug it in.

WARNING

TO REDUCE THE RISK OF FIRE, ELECTRIC SHOCK, OR INJURY TO PERSONS, OBSERVE THE FOLLOWING:

- Use this unit only in the manner intended by the manufacturer. If you have questions, contact the manufacturer.
 - Before servicing or cleaning unit, switch power off at service panel and lock out the service disconnect to prevent power from being switched on accidentally. When the service disconnect cannot be locked, securely fasten a prominent warning device, such as a tag, to the service panel.
-

WARNING

WARNING – TO REDUCE THE RISK OF FIRE, ELECTRIC SHOCK, OR INJURY TO PERSONS, OBSERVE THE FOLLOWING:

- Installation work and electrical wiring must be done by qualified person(s) in accordance with all applicable codes and standards, including fire-rated construction.
 - Sufficient air is needed for proper combustion and exhausting of gases through the flue (chimney) of fuel burning equipment to prevent back drafting. Follow the heating equipment manufacturer's guideline and safety standards such as those published by the National Fire Protection Association (NFPA), and the American Society for Heating, Refrigeration and Air Conditioning Engineers (ASHRAE), and the local code authorities.
 - When cutting or drilling into wall or ceiling, do not damage electrical wiring and other hidden utilities.
 - Ducted fans must always be vented to the outdoors.
-

WARNING

To reduce the risk of fire or electric shock, do not use this fan with any solid-state speed control device.

This appliance is not intended for operation with an external clock timer or a remote control.

Have an appropriate fire extinguisher available, nearby, highly visible and easily accessible near the appliance.

Fire Safety

WARNING

To reduce risk of fire and to properly exhaust air, be sure to duct air outside. Do not vent exhaust air into spaces within walls, ceilings, attics, crawl spaces or garages.

WARNING

To reduce the risk of fire, use only metal ductwork.

Always have a working smoke detector near the kitchen.

WARNING

TO REDUCE THE RISK OF A GREASE FIRE:

- a. Never leave surface units unattended at high settings. Boilovers cause smoking and greasy spillovers that may ignite. Heat oils slowly on low or medium settings.
 - b. Always turn hood ON when cooking at high heat or when flambeing food (i.e. Crepes Suzette, Cherries Jubilee, Peppercorn Beef Flambé).
 - c. Clean ventilating fans frequently. Grease should not be allowed to accumulate on fan or filter.
 - d. Use proper pan size. Always use cookware appropriate for the size of the surface element.
-

CAUTION

For general ventilating use only. Do not use to exhaust hazardous or explosive materials and vapors.

In the event that personal clothing or hair catches fire, drop and roll immediately to extinguish flames. Smother flames from food fires other than grease fires with baking soda. Never use water on cooking fires.

IMPORTANT SAFETY INSTRUCTIONS

READ AND SAVE THESE INSTRUCTIONS

WARNING

TO REDUCE THE RISK OF INJURY TO PERSONS IN THE EVENT OF A RANGE TOP GREASE FIRE, OBSERVE THE FOLLOWING:

- SMOTHER FLAMES with a close-fitting lid, cookie sheet, or metal tray, then turn off the burner. BE CAREFUL TO PREVENT BURNS. If the flames do not go out immediately, EVACUATE AND CALL THE FIRE DEPARTMENT.
- NEVER PICK UP A FLAMING PAN – You may be burned.
- DO NOT USE WATER, including wet dishcloths or towels – a violent steam explosion will result.
- Use an extinguisher ONLY if:
 - You know you have a Class ABC extinguisher, and you already know how to operate it.
 - The fire is small and contained in the area where it started.
 - The fire department is being called.
 - You can fight the fire with your back to an exit.

Whenever possible, do not operate the ventilation system during a cooktop fire. However, do not reach through fire to turn it off.

WARNING

RISK OF FIRE

When gas burners are in operation without any cookware placed on them, they can build up a lot of heat. A ventilation appliance installed above the cooker may become damaged or catch fire. Only operate the gas burners with cookware on them.

WARNING

RISK OF FIRE

During simultaneous use of multiple gas burners, a great deal of heat is created. A ventilation device located above it can become damaged or catch fire. Never use two gas burners together at maximum heat for longer than 15 minutes. One large burner with over 17,000 BTU/hr (5 kW) (wok) is equal to the wattage of two gas burners.

WARNING

RISK OF FIRE

Hot oil and fat catch fire fast. Never leave hot oil and fat unsupervised. Never extinguish a fire with water. Switch off the element/burner. Suffocate flames carefully with a lid, a fire blanket or similar.

WARNING

RISK OF FIRE

Grease deposits in the grease filter can ignite.

Clean the grease filter at least every two months, or more often if needed.

Never operate the appliance without the grease filter.

WARNING

RISK OF FIRE

Grease deposits in the grease filter can catch fire. Never work with a naked flame near the appliance (e.g. flambéing). Install the unit near a heat-producing appliance for solid fuels (e.g. wood or coal) only if there is a closed, non-detachable cover. There must be no flying sparks.

Burn Prevention

WARNING

RISK OF BURNS

The accessible parts get hot during operation. Never touch hot parts. Keep children away.

Child Safety

When children become old enough to use the appliance, it is the responsibility of the parents or legal guardians to ensure that they are instructed in safe practices by qualified persons.

Remove all tape and packaging before using the appliance. Destroy the packaging after unpacking the appliance. Never allow children to play with packaging material.

Do not allow anyone to climb, stand, lean, sit, or hang on any part of an appliance, especially a door, warming drawer, or storage drawer. This can damage the appliance, and the unit may tip over, potentially causing severe injury.

Do not allow children to use this appliance unless closely supervised by an adult. Children and pets should not be left alone or unattended in the area where the appliance is in use. They should never be allowed to play in its vicinity, whether or not the appliance is in use.

CAUTION

Items of interest to children should not be stored in an appliance, in cabinets above an appliance or on the backsplash. Children climbing on an appliance to reach items could be seriously injured.

IMPORTANT SAFETY INSTRUCTIONS

READ AND SAVE THESE INSTRUCTIONS

Cleaning Safety

WARNING

Be sure the entire appliance (including the grease filters and light bulbs, if applicable) has cooled and grease has solidified before attempting to clean any part of the appliance.

Do not use steam cleaners to clean the appliance.

Safe use

WARNING

Do not repair, replace or remove any part of the appliance unless specifically recommended in the manuals. Improper installation, service or maintenance can cause injury or property damage. Refer to this manual for guidance. All other servicing should be done by an authorized servicer.

WARNING

RISK OF INJURY

Items placed on the appliance may fall down. Do not place any objects on the appliance.

Proper Installation and Maintenance

Have the installer show you the location of the circuit breaker or fuse. Mark it for easy reference.

This appliance must be properly installed and grounded by a qualified technician. Connect only to properly grounded outlet. Refer to Installation Instructions for details.

This appliance is intended for normal family household use only. It is not approved for outdoor use. See the Warranty. If you have any questions, contact the manufacturer.

Do not store or use corrosive chemicals, vapors, flammables or nonfood products in or near this appliance. It is specifically designed for use when heating or cooking food. The use of corrosive chemicals in heating or cleaning will damage the appliance and could result in injury.

Do not operate this appliance if it is not working properly, or if it has been damaged. Contact an authorized servicer.

Do not repair or replace any part of the appliance unless specifically recommended in this manual. Refer all servicing to a factory authorized service center.

CAUTION

Grease left on filters can remelt and move into the vent.

CAUTION

Turn power off at breaker before removing a damaged bulb. Do not touch the bulbs immediately after use. The bulbs will remain hot for several minutes.

WARNING

Make sure the appliance and lights are cool and power to the appliance has been turned off before replacing the light bulb(s). Failure to do so could result in electrical shock or burns. The lenses (if equipped) must be in place when using the appliance. The lenses (if equipped) serve to protect the light bulb from breaking. The lenses (if equipped) are made of glass. Handle carefully to avoid breaking. Broken glass can cause an injury.

Hidden surfaces may have sharp edges. Use caution when reaching behind or under appliance.

WARNING

When the hood is operated in exhaust-air mode simultaneously with a different burner which also makes use of the same chimney (such as gas, oil or coal-fired heaters, continuous-flow heaters, hot-water boilers) care must be taken to ensure that there is an adequate supply of fresh air which will be needed by the burner for combustion.

Safe operation is possible provided that the under pressure in the room where the burner is installed does not exceed 4 Pa (0.04 mbar).

This can be achieved if combustion air can flow through non-lockable openings, e.g. in doors, windows and via the air-intake/exhaust-air wall box or by other technical measures, such as reciprocal interlocking, etc.

WARNING

Avoid carbon monoxide poisoning – Provide adequate air intake so combustion gases are not drawn back into the room.

An air-intake/exhaust-air wall box by itself is no guarantee that the limiting value will not be exceeded.

Note: When assessing the overall requirement, the combined ventilation system for the entire household must be taken into consideration. This rule does not apply to the use of cooking appliances, such as cooktops and ovens.

⚠ IMPORTANT SAFETY INSTRUCTIONS
READ AND SAVE THESE INSTRUCTIONS

**State of California Proposition 65
Warnings**

WARNING

This product contains chemicals known to the State of California to cause cancer, birth defects or other reproductive harm.

Causes of damage

NOTICES:

- Risk of damage due to corrosion. Always turn appliance on when cooking to avoid condensation buildup. Condensation can lead to corrosion damages.
- Always replace defective bulbs immediately to avoid an overload of the remaining bulbs.
- Risk of damage due to ingress of humidity into the electronic circuitry. Never clean operator controls with a wet cloth.
- Surface damage due to incorrect cleaning. Clean stainless steel surfaces in the grind direction only. Do not use any stainless steel cleaners for operator controls.
- Surface damage due to strong or abrasive cleaning agents. Never use strong and abrasive cleaning agents.
- Risk of damage from condensation back flow. Install exhaust vent at a slight downward slope away from the appliance (1° slope).

Protecting the environment

Unpack the appliance and dispose of the packaging in an environmentally friendly manner.

Operating modes

You can use this appliance in the air extraction or the recirculation mode.

Exhaust air mode



The air that is drawn in is cleaned by the grease filters and conveyed to the exterior by a pipe system.

Note: Ventilation may not exit through an already operational smoke or exhaust chimney, nor a duct used for ventilating furnace installation areas.

- If the ventilation is intended to pass through a smoke or exhaust chimney that is not in operation, the responsible area heating inspector must give approval.
- If the ventilation passes through an external wall, use a telescope wall sleeve.

Circulating-air mode



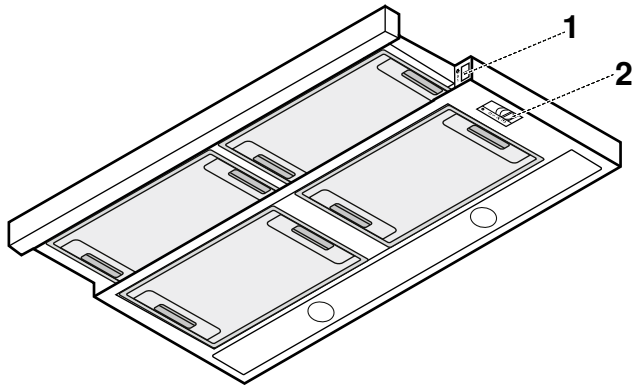
The air that is drawn in is cleaned by the grease filters and an activated carbon filter and conveyed back into the kitchen.

Note: To eliminate odors in circulating-air mode, you must install an activated carbon filter. The different options for operating the appliance in circulating-air mode can be found in the brochure. Alternatively, ask your dealer. The required accessories are available from specialist retailers, from customer service or from the Online Shop. The accessory numbers can be found at the end of the instructions for use.


Operating the appliance

Note: Turn the extractor hood on when you start cooking and switch it off again a few minutes after you have finished cooking. This is the most effective way to eliminate cooking vapor.

Controls



1 Lighting

 Light on/off

2 Fan

- | | |
|---|-------------|
| 0 | Fan off |
| 1 | Fan level 1 |
| 2 | Fan level 2 |
| 3 | Fan level 3 |

Filter pull-out

Pulling out the filter drawer

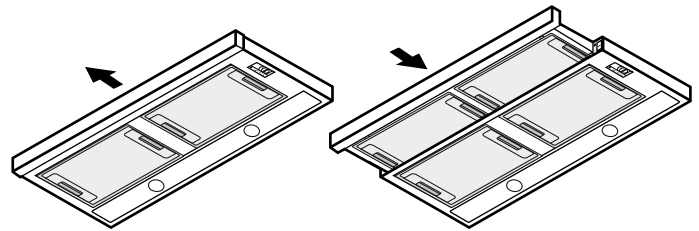
Hold the filter drawer by the middle and pull it out. The control panel for the light is accessible and the appliance is ready for operation.

Note: The appliance starts with the functions that were set when the drawer was closed.

Pushing the filter drawer in

Hold the filter drawer by the middle and push it in.

Note: The ventilation and lighting are switched off when the drawer is closed.



Turn on the fan

Switching on

Set the slide control to position 1, 2 or 3.

Switching off

Set the slide control to position 0.

Lighting

The lighting can be switched on and off independently of the ventilation.

Set the slide control to position 1.

Cleaning and maintenance

⚠ WARNING

RISK OF BURNS

The appliance will become hot when in use, especially in the area surrounding the bulbs. Let cool before cleaning.

⚠ WARNING

RISK OF ELECTRICAL SHOCK

Moisture entering the appliance can cause an electrical shock. Don't use a high-pressure cleaner or steam cleaner.

⚠ WARNING

RISK OF ELECTRIC SHOCK

Penetrating damp can cause electric shock. Only clean appliance with a damp cloth. Prior to cleaning, pull the plug or flip the breaker in the fusebox.

⚠ WARNING

RISK OF INJURY

Components inside the appliance may have sharp edges. Wear protective gloves.

Cleaning agents

To ensure that the different surfaces are not damaged by using the wrong cleaning agent, follow the information in the table. Do not use:

- Harsh or abrasive cleaning agents,
- Cleaning agents with a high alcohol content,
- Hard scouring pads or cleaning sponges,
- High-pressure cleaners or steam cleaners.

Wash new sponge cloths thoroughly before use.

Follow all instructions and warnings included with the cleaning agents.

Area	Cleaning agent
Stainless steel	Hot soapy water: Clean with a dishcloth and then dry with a soft cloth. Clean stainless steel surfaces in the grind direction only. Special stainless steel cleaning products are available from customer service or from specialist retailers. Apply a very thin layer of the cleaning product with a soft cloth.
Painted surfaces	Hot soapy water: Clean using a damp dishcloth and dry with a soft cloth/towel. Do not use any stainless steel cleaners.
Aluminum and plastic	Glass cleaner: Clean with a soft cloth.
Glass	Glass cleaner: Clean with a soft cloth. Do not use a glass scraper.
Operating controls	Hot soapy water: Clean using a damp dishcloth and dry with a soft cloth/towel. Risk of electric shock from penetrating moisture. Risk of damage to the electronics from penetrating moisture. Never clean operating controls with a wet cloth. Do not use any stainless steel cleaners.

Cleaning the metal grease filter

These instructions apply to several appliance models. It is possible that individual features are described that do not apply to your appliance.

▲ WARNING

RISK OF FIRE

Grease deposits in the grease filter can ignite.

Clean the grease filter at least every two months, or more often if needed.

Never operate the appliance without the grease filter.

Notes

- Do not use any aggressive, acidic or alkaline cleaning agents.
- When cleaning the metal grease filters, also clean the metal grease filter holder in the appliance with a moist cloth.
- You can clean the metal grease filters in a dishwasher or by hand.

By hand:

Note: You can use a special grease solvent if soiling is stubborn.

- Soak the metal grease filters in hot soapy solution.
- Use a brush for cleaning and then rinse the filters well.
- Allow the metal grease filters to drip dry.

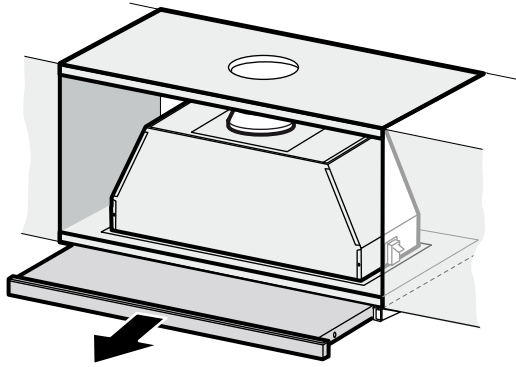
In the dishwasher:

Note: Slight discoloration is possible when cleaning the grease filters in the dishwasher. This does not affect the metal grease filter's functioning.

- Do not clean extremely dirty metal grease filters with dishes.
- Loosely position the metal grease filter in the dishwasher. The metal grease filters must not be jammed in.

Uninstalling metal grease filter

1. Pulling out the filter drawer.



2. Press the two locks at the same time.
While doing this, fasten the metal grease filters with your hands.

Note: To avoid causing damage, do not bend the metal grease filters.



3. Take the metal grease filters out of the holder.

Note: Grease can accumulate in the bottom of the metal grease filters. Hold the metal grease filters level to prevent fat from dripping out.

4. After removing the metal grease filters, clean the inside of the appliance.
5. Clean the metal grease filters and let them dry before re-fitting.

Installing metal grease filter

1. Insert metal grease filter.
Simultaneously use your other hand to grasp under the metal grease filter.
2. Flip metal grease filter up and snap the latch into place.

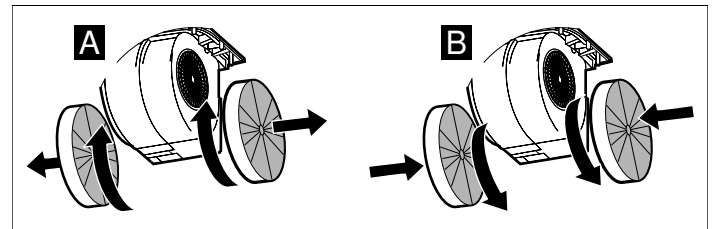
Changing the activated charcoal filter (only in circulating-air mode)

In order to guarantee effective odor removal, the filters must be maintained regularly. The activated charcoal filters must be changed at least every 4 months.

Notes

- The activated charcoal filters are an optional accessory. The activated charcoal filters are available for purchase from specialist retailers, from customer service or from the Online Shop.
- The activated charcoal filters cannot be cleaned or activated again.

1. Remove the metal grease filter.
2. Turn the old activated charcoal filters and pull away from the holder. **A**
3. Push the new activated charcoal filters onto the holder and turn. **B**



4. Install the metal grease filters.

Troubleshooting

You can often easily eliminate problems that may occur on your own. Before calling customer service, take into account the following information.

Troubleshooting table

Disruption	Possible cause	Solution
Appliance is not working	Plug is not plugged in	Connect the appliance to the mains
	Power outage	Check whether other kitchen appliances are working
	Fuse defective	Check in the fuse box whether the fuse for the appliance is in working order
Lighting not working.	Bulbs defective.	Replace bulbs, see chapter "Replace Bulbs."

Changing bulbs

▲ WARNING

RISK OF ELECTRIC SHOCK

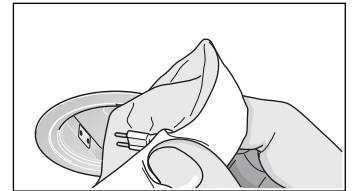
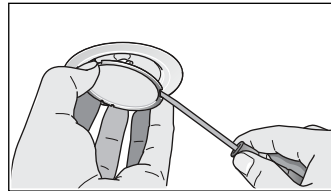
When changing the bulbs, the bulb socket contacts are live. Before replacing the bulb, unplug the appliance or switch off the circuit breaker in the fuse box.

Important! Use only bulbs of the same type and the same power (see also lamp socket or rating plate).

Changing halogen bulbs

Note: When using halogen bulbs, do not touch the glass bulb. Use a clean cloth to insert the halogen bulb.

1. Carefully remove the bulb ring with a suitable tool.
2. Withdraw the bulb and replace with the same type bulb.



3. Replace bulb cover.
4. Plug in or flip breaker switch again.

Replace the bulb with one of the same type:

Voltage (V): 12 V AC

Max. power: 20 W

Socket: G4

Customer service

Our customer service department is there for you if your appliance requires repair.

When calling, please give the Product Number (P-No.) and the Serial Number (S-No.) to help facilitate your repair. The identification plate listing the numbers can be found inside of the appliance (remove metal grease filter to find it).

So that you don't have to search for these numbers when you need them, you can enter your appliance information and the customer service number here.

P-No. _____ **S-No.** _____

Customer service ☎

Please note that a service visit to instruct the customer on the proper use of the appliance is not covered by the warranty.

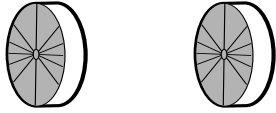
Please find the contact data of all countries in the enclosed customer service list.

To book a service visit and product advice

US 800 944 2904
toll-free

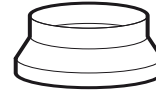
Accessories

(not included in the delivery)
Activated charcoal filter



HUIF06UC

Air flow regulator



HUIRED56UC

STATEMENT OF LIMITED PRODUCT WARRANTY

What this Warranty Covers & Who it Applies to

The limited warranty provided by BSH Home Appliances Corporations ("BSH") in this Statement of Limited Product Warranty applies only to the Bosch appliance ("Product") sold to you, the first using purchaser, provided that the Product was purchased:

- For your normal, household (non-commercial) use, and has in fact at all times only been used for normal household purposes.
- New at retail (not a display, "as is", or previously returned model), and not for resale, or commercial use.
- Within the United States or Canada, and has at all times remained within the country of original purchase.

The warranties stated herein apply only to the first purchaser of the Product and are not transferable.

BSH reserves the right to request proof of purchase at the time any warranty claim is submitted to confirm that the Product falls within the scope of this limited product warranty.

Please make sure to return your registration card; while not necessary to effectuate warranty coverage, it is the best way for BSH to notify you in the unlikely event of a safety notice or product recall.

How Long the Warranty Lasts

BSH warrants that the Product is free from defects in materials and workmanship for a period of three hundred sixty-five (365) days from the date of purchase. The foregoing timeline begins to run upon the date of purchase, and shall not be stalled, tolled, extended, or suspended, for any reason whatsoever.

This Product is also warranted to be free from *cosmetic* defects in material and workmanship (such as scratches of stainless steel, paint/porcelain blemishes, chip, dents, or other damage to the finish of the Product), for a period of thirty (30) days from the date of purchase or closing date for new construction. This *cosmetic* warranty excludes slight color variations due to inherent differences in painted and porcelain parts, as well as differences caused by kitchen lighting, product location, or other similar factors. This *cosmetic* warranty

specifically excludes any display, floor, "As Is", or "B" stock appliances.

Repair/Replace as Your Exclusive Remedy

During this warranty period, BSH or one of its authorized service providers will repair your Product without charge to you (subject to certain limitations stated herein) if your Product proves to have been manufactured with a defect in materials or workmanship. If reasonable attempts to repair the Product have been made without success, then BSH will replace your Product (upgraded models may be available to you, in BSH's sole discretion, for an additional charge). All removed parts and components shall become the property of BSH at its sole option. All replaced and/or repaired parts shall assume the identity of the original part for purposes of this warranty and this warranty shall not be extended with respect to such parts. BSH's sole liability and responsibility hereunder is to repair manufacturer-defective Product only, using a BSH-authorized service provider during normal business hours. For safety and property damage concerns, BSH highly recommends that you do not attempt to repair the Product yourself, or use an un-authorized servicer; BSH will have no responsibility or liability for repairs or work performed by a non-authorized servicer. If you choose to have someone other than an authorized service provider work on your Product, THIS WARRANTY WILL AUTOMATICALLY BECOME NULL AND VOID. Authorized service providers are those persons or companies that have been specially trained on BSH products, and who possess, in BSH's opinion, a superior reputation for customer service and technical ability (note that they are independent entities and are not agents, partners, affiliates or representatives of BSH). Notwithstanding the foregoing, BSH will not incur any liability, or have responsibility, for the Product if it is located in a remote area (more than 100 miles from an authorized service provider) or is reasonably inaccessible, hazardous, threatening, or treacherous locale, surroundings, or environment; in any such event, if you request, BSH would still pay for labor and parts and ship the parts to the nearest authorized service provider, but you would still be fully liable and responsible for any travel time or other special charges by the service company, assuming they agree to make the service call.

Out of Warranty Product

BSH is under no obligation, at law or otherwise, to provide you with any concessions, including repairs, pro-rates, or Product replacement, once this warranty has expired.

Warranty Exclusions

The warranty coverage described herein excludes all defects or damage that are not the direct fault of BSH, including without limitation, one or more of the following:

- Use of the Product in anything other than its normal, customary and intended manner (including without limitation, any form of commercial use, use or storage of an indoor product outdoors, use of the Product in conjunction with air or water-going vessels).
- Any party's willful misconduct, negligence, misuse, abuse, accidents, neglect, improper operation, failure to maintain, improper or negligent installation, tampering, failure to follow operating instructions, mishandling, unauthorized service (including self-performed "fixing" or exploration of the appliance's internal workings).
- Adjustment, alteration or modification of any kind.
- A failure to comply with any applicable state, local, city, or county electrical, plumbing and/or building codes, regulations, or laws, including failure to install the product in strict conformity with local fire and building codes and regulations.
- Ordinary wear and tear, spills of food, liquid, grease accumulations, or other substances that accumulate on, in, or around the Product.
- Any external, elemental and/or environmental forces and factors, including without limitation, rain, wind, sand, floods, fires, mud slides, freezing temperatures, excessive moisture or extended exposure to humidity, lightning, power surges, structural failures surrounding the appliance, and acts of God.

In no event shall BSH have any liability or responsibility whatsoever for damage to surrounding property, including cabinetry, floors, ceilings, and other structures or objects around the Product. Also excluded from this warranty are Products on which the serial numbers have been altered, defaced, or removed; service visits to teach you how to use the Product, or visits where there is nothing wrong with the Product; correction of installation problems (you are solely responsible for any structure and setting for the Product, including all electrical, plumbing or other connecting facilities, for proper foundation/flooring, and for any alterations including without limitation cabinetry, walls, floors, shelving, etc.); and resetting of breakers or fuses.

TO THE EXTENT ALLOWED BY LAW, THIS WARRANTY SETS OUT YOUR EXCLUSIVE REMEDIES WITH RESPECT TO PRODUCT, WHETHER THE CLAIM ARISES IN CONTRACT OR TORT (INCLUDING STRICT LIABILITY, OR NEGLIGENCE) OR OTHERWISE. THIS WARRANTY IS IN LIEU OF ALL OTHER WARRANTIES, WHETHER EXPRESS OR IMPLIED. ANY WARRANTY IMPLIED BY LAW, WHETHER FOR MERCHANTABILITY OR FITNESS FOR A PARTICULAR PURPOSE, OR OTHERWISE, SHALL BE EFFECTIVE ONLY FOR THE PERIOD THAT THIS EXPRESS LIMITED WARRANTY IS EFFECTIVE. IN

NO EVENT WILL THE MANUFACTURER BE LIABLE FOR CONSEQUENTIAL, SPECIAL, INCIDENTAL, INDIRECT, "BUSINESS LOSS", AND/OR PUNITIVE DAMAGES, LOSSES, OR EXPENSES, INCLUDING WITHOUT LIMITATION TIME AWAY FROM WORK, HOTELS AND/OR RESTAURANT MEALS, REMODELLING EXPENSES IN EXCESS OF DIRECT DAMAGES WHICH ARE DEFINITELY CAUSED EXCLUSIVELY BY BSH, OR OTHERWISE. SOME STATES DO NOT ALLOW THE EXCLUSION OR LIMITATION OF INCIDENTAL OR CONSEQUENTIAL DAMAGES, AND SOME STATES DO NOT ALLOW LIMITATIONS ON HOW LONG AN IMPLIED WARRANTY LASTS, SO THE ABOVE LIMITATIONS MAY NOT APPLY TO YOU. THIS WARRANTY GIVES YOU SPECIFIC LEGAL RIGHTS, AND YOU MAY ALSO HAVE OTHER RIGHTS WHICH VARY FROM STATE TO STATE.

No attempt to alter, modify or amend this warranty shall be effective unless authorized in writing by an officer of BSH.

Table des Matières

Définitions de Sécurité	16
CONSIGNES DE SÉCURITÉ IMPORTANTES	17
Instructions générales	17
Sécurité-incendie	17
Prévention des brûlures	18
Sécurité des enfants	19
Consignes en matière de nettoyage	19
Sécurité à l'utilisation	19
Installation et entretien corrects	19
Avertissements de la Proposition 65 de l'État de la Californie	20
Causes des dommages	21
Protection de l'environnement	21
Modes de fonctionnement	21
Mode évacuation	21
Mode recirculation de l'air	21
Utilisation de l'appareil	22
Tiroir-filtre	22
Éclairage	22
Nettoyage et entretien	22
Anomalies, que faire ?	25
Service après-vente	26
Accessoire	26
ÉNONCÉ DE LA GARANTIE LIMITÉE	26
Couverture de la garantie :	26
Durée de la garantie	26
Réparation ou remplacement comme solution exclusive	27
Produit hors garantie	27
Exclusions à la garantie	27

Vous trouverez des informations supplémentaires concernant les produits, accessoires, pièces de rechange et services sur Internet sous : www.bosch-home.com et la boutique en ligne : www.bosch-eshop.com

Définitions de Sécurité

▲ AVERTISSEMENT

Le non-respect de cet avertissement peut entraîner la mort ou des blessures graves.

▲ ATTENTION

Le non-respect de cet avertissement peut entraîner des blessures mineures ou modérées.

AVIS : Vous indique que des dommages à l'appareil ou aux biens peuvent survenir si vous ne respectez pas cet avertissement.

Remarque : Vous signale des informations importantes ou des conseils.

CONSIGNES DE SÉCURITÉ IMPORTANTES

LIRE ET CONSERVER CES INSTRUCTIONS

AVERTISSEMENT

Votre nouvel appareil a été conçu pour un fonctionnement sûr et fiable si vous en prenez bien soin. Lire attentivement toutes les consignes avant l'emploi. Ces précautions réduiront les risques de brûlures, de choc électrique, d'incendie et de lésions corporelles. Lors de l'utilisation d'un appareil électroménager, quelques précautions de sécurité élémentaires doivent être observées, y compris celles qui figurent aux pages suivantes.

Instructions générales

Contrôler l'appareil après l'avoir déballé. Si l'appareil a été endommagé durant le transport, ne pas le brancher.

AVERTISSEMENT

POUR RÉDUIRE LE RISQUE D'INCENDIE, D'ÉLECTROCUTION, OU DE BLESSURES PERSONNELLES, RESPECTEZ LES INDICATIONS SUIVANTES :

- Utilisez cet appareil uniquement de la façon recommandée par le fabricant. Pour toutes questions, veuillez contacter le fabricant.
 - Avant de réparer ou de nettoyer l'appareil, débranchez l'alimentation au panneau de service et verrouillez l'interrupteur d'alimentation pour éviter que l'alimentation ne soit rétablie accidentellement. Lorsque l'interrupteur d'alimentation ne peut pas être verrouillé, fixez un accessoire d'avertissement visible et adéquat, comme une étiquette, au panneau de service.
-

AVERTISSEMENT

ATTENTION – AFIN DE RÉDUIRE LES RISQUES D'INCENDIE, DE CHOC ÉLECTRIQUE OU DE BLESSURES CORPORELLES, VEUILLEZ SUIVRE LES INSTRUCTIONS SUIVANTES :

- Les travaux d'installation et de raccordement électrique doivent être effectués par une personne qualifiée, conformément aux codes et standards de construction, y compris ceux concernant le feu.
- Assurez-vous que l'aération est suffisante pour permettre la combustion et l'évacuation des gaz par le conduit de cheminée d'un appareil à combustible afin de prévenir le refoulement d'air. Respectez les instructions du fabricant de l'appareil de chauffage et les normes de sécurité, comme celles publiées par la National Fire Protection Association (NFPA) et par la American Society for Heating, Refrigeration and Air Conditioning Engineers (ASHRAE), ainsi que par les autorités locales.

- Lorsque vous faites une ouverture dans un mur ou un plafond, veillez à ne pas endommager les fils électriques ou les conduites qui y sont dissimulés.
 - Les soufflantes canalisées doivent donner sur l'extérieur.
-

AVERTISSEMENT

Pour réduire le risque de feu ou de choc électrique, ne pas utiliser cet aérateur avec un variateur de vitesse à semi-conducteur.

Cet appareil n'est pas destiné à être utilisé avec un programmateur externe ou une télécommande. Veillez à avoir à portée de main un extincteur d'incendie en bon état de marche, placé visiblement près de l'appareil et facile d'accès.

Sécurité-incendie

AVERTISSEMENT

Pour réduire le risque de feu et pour évacuer correctement l'air, évacuez l'air vers l'extérieur. N'évacuez pas l'air dans les murs, les plafonds, les greniers, les vides sanitaires ou les garages.

AVERTISSEMENT

Pour réduire les risques de feu, utiliser uniquement des gaines en métal.

Toujours avoir un détecteur de fumée en état de marche près de la cuisine.

AVERTISSEMENT

POUR RÉDUIRE LES RISQUES DE FEUX DE GRAISSE :

- a. Ne jamais faire fonctionner les unités de surface à des températures élevées sans surveillance. Des débordements causant de la fumée et des déversements graisseux peuvent prendre feu. Chauffer l'huile lentement à réglage faible ou moyen.
 - b. Mettre toujours la hotte EN MARCHE pendant la cuisson à température élevée et au moment de flamber des aliments (p.ex., crêpes Suzette, cerises jubilé, steak au poivre flambé).
 - c. Nettoyer souvent les ventilateurs d'aération. Il ne faut pas que la graisse s'accumule sur le ventilateur ou sur le filtre.
 - d. Utiliser des casseroles de taille adéquate. Utiliser toujours des casseroles dont les dimensions conviennent à la taille de l'élément.
-

CONSIGNES DE SÉCURITÉ IMPORTANTES

LIRE ET CONSERVER CES INSTRUCTIONS

ATTENTION

Appareil conçu exclusivement pour la ventilation générale. Ne pas utiliser pour évacuer des matières et vapeurs dangereuses ou explosives.

Si des vêtements s'enflamment, rouler par terre immédiatement pour éteindre les flammes.

Étouffez les flammes d'un feu d'aliments autre qu'un feu de graisse à l'aide de bicarbonate de soude. Ne jamais utiliser d'eau sur les feux de cuisson.

AVERTISSEMENT

POUR RÉDUIRE LE RISQUE DE LÉSIONS CORPORELLES EN CAS D'UN FEU DE FRITURE SUR UNE CUISINIÈRE, OBSERVER CE QUI SUIT :

- ÉTOUFFER LES FLAMMES à l'aide d'un couvercle bien hermétique, d'une tôle à biscuits ou d'un plateau en métal, puis éteindre le brûleur. FAIRE ATTENTION À NE PAS SE BRÛLER. Si les flammes ne s'éteignent pas immédiatement, ÉVACUER LES LIEUX ET FAIRE APPEL AU SERVICE D'INCENDIE.
 - NE JAMAIS SOULEVER UNE POËLE EN FLAMMES – Vous pourriez vous brûler.
 - NE PAS UTILISER D'EAU, y compris les chiffons ou serviettes mouillées - une violente explosion de vapeur pourrait se produire.
 - Utiliser UNIQUEMENT un extincteur si :
 - Vous savez que vous avez un extincteur de classe ABC et comment l'utiliser.
 - Le feu est petit et circonscrit à la zone où il a débuté.
 - Le service d'incendie est appelé.
 - Si l'on peut combattre le feu en ayant le dos vers une sortie.
-

Dans la mesure du possible, ne pas faire fonctionner le système de ventilation lorsqu'un feu se déclenche sur une table de cuisson. Toutefois, ne pas passer la main à travers le feu pour mettre le système de ventilation hors tension.

AVERTISSEMENT

RISQUE D'INCENDIE

Les brûleurs gaz dégagent une forte chaleur lorsqu'aucun récipient n'est posé dessus. Ils peuvent alors endommager les appareils de ventilation. Utiliser les brûleurs gaz uniquement lorsqu'un récipient est placé dessus.

AVERTISSEMENT

RISQUE D'INCENDIE

Lors du fonctionnement simultané de plusieurs foyers gaz il y a une forte production de chaleur. Un appareil de ventilation monté au-dessus peut être endommagé ou prendre feu. Ne faites jamais fonctionner en même temps deux foyers gaz à feu vif pendant plus de 15 minutes. Un brûleur grande puissance de plus de 17,000 Btu/hr (5 kW) (wok) chauffe autant que deux brûleurs gaz.

AVERTISSEMENT

RISQUE D'INCENDIE

L'huile et la graisse très chaudes s'enflamment rapidement. Ne jamais laisser de l'huile et de la graisse chaudes sans surveillance. Ne jamais éteindre un incendie avec de l'eau. Éteindre le foyer. Étouffer les flammes avec précaution au moyen d'un couvercle, d'une couverture antifeu ou équivalent.

AVERTISSEMENT

RISQUE D'INCENDIE

Les dépôts de graisse dans le filtre à graisse peuvent s'enflammer.

Nettoyez le filtre à graisse au moins tous les deux mois, ou plus souvent au besoin.

N'utilisez jamais l'appareil sans le filtre à graisse.

AVERTISSEMENT

RISQUE D'INCENDIE

Les dépôts se trouvant dans le filtre à graisse peuvent s'enflammer. Ne jamais cuisiner à proximité de l'appareil avec une flamme ouverte (par exemple pour faire flamber). Installer l'appareil près d'un foyer pour combustibles solides (bois ou charbon par exemple) seulement s'il y a un couvercle fermé et non amovible. Il ne faut pas qu'il se produise de projection d'étincelles.

Prévention des brûlures

AVERTISSEMENT

RISQUE DE BRÛLURE

Les parties accessibles chauffent lorsque la table est allumée. Ne touchez jamais aux parties très chaudes. Tenez les enfants à distance.

CONSIGNES DE SÉCURITÉ IMPORTANTES

LIRE ET CONSERVER CES INSTRUCTIONS

Sécurité des enfants

Lorsque les enfants sont assez âgés pour utiliser l'appareil, c'est aux parents ou tuteurs légaux qu'il incombe de veiller à ce qu'ils soient formés aux pratiques sécuritaires par des personnes qualifiées.

Enlever le ruban adhésif et l'emballage avant d'utiliser l'appareil. Détruire l'emballage après avoir déballé l'appareil. Ne jamais laisser les enfants jouer avec les matériaux de conditionnement.

Ne permettre à personne de grimper, rester debout, s'appuyer, s'asseoir ou se pencher sur toute partie d'un appareil, notamment une porte, un tiroir-réchaud ou un tiroir de rangement. Ceci peut endommager l'appareil qui risque de basculer et causer des blessures sérieuses.

Ne pas permettre aux enfants d'utiliser cet appareil sauf sous la surveillance attentive d'un adulte. Ne pas laisser les enfants et les animaux seuls ou sans surveillance lorsque l'appareil est en service. Ne jamais les laisser jouer aux alentours de l'appareil, que ce dernier soit en service ou non.

ATTENTION

Les articles d'intérêt pour les enfants ne doivent pas être rangés dans un appareil électroménager, dans les armoires au-dessus de l'appareil ou sur le dossier. Les enfants peuvent grimper sur l'appareil pour atteindre ces objets et se blesser sérieusement.

Consignes en matière de nettoyage

AVERTISSEMENT

S'assurer que l'appareil a complètement refroidi (y compris les filtres à graisse et les ampoules, le cas échéant) et que la graisse s'est solidifiée avant de tenter de nettoyer une quelconque partie de l'appareil.

Ne pas utiliser de nettoyeur à vapeur pour nettoyer l'appareil.

Sécurité à l'utilisation

AVERTISSEMENT

Ne pas réparer ni remplacer toute pièce de l'appareil à moins que cela ne soit expressément recommandé dans ce manuel. Ne jamais modifier ni altérer la configuration de l'appareil. Toute installation, réparation ou maintenance inadéquate peut entraîner des blessures ou des dommages matériels. Se reporter à ce manuel pour obtenir des conseils sur la façon de procéder. Toute réparation doit être effectuée par un centre de réparation autorisé par l'usine.

AVERTISSEMENT

RISQUE DE BLESSURE

Des objets posés sur l'appareil risquent de tomber. Ne pas déposer d'objets sur l'appareil.

Installation et entretien corrects

Demandez à l'installateur de vous montrer où se trouve le disjoncteur ou le fusible. Identifier sa position pour pouvoir le retrouver facilement.

Cet appareil doit être adéquatement installé et mis à la terre par un technicien agréé. Branchez l'appareil uniquement dans une prise correctement reliée à la terre. Pour plus de détails, reportez-vous à la notice d'installation.

Cet appareil est destiné uniquement à une utilisation domestique normale. Il n'est pas homologué pour un usage en extérieur. Voyez la garantie. Si vous avez des questions, communiquez avec le fabricant.

Ne pas entreposer ni utiliser de produits chimiques corrosifs, vapeurs, substances inflammables ou produits non alimentaires à l'intérieur ou à proximité de l'appareil. Il a été spécialement conçu pour être utilisé pendant le chauffage et la cuisson des aliments. L'emploi de produits chimiques corrosifs pour chauffer ou nettoyer l'appareil endommagera ce dernier et peut provoquer des blessures.

Ne pas se servir de cet appareil s'il ne fonctionne pas correctement ou s'il est endommagé. Communiquer avec un réparateur autorisé.

Ne pas réparer ni remplacer toute pièce de l'appareil à moins que cela ne soit spécifiquement recommandé par ce manuel. Toute réparation doit être effectuée par un centre de réparation autorisé par l'usine.

ATTENTION

La graisse restant sur les filtres peut se fondre à nouveau et se déplacer à l'intérieur de l'évent.

ATTENTION

Couper le courant au niveau du disjoncteur avant d'enlever une ampoule grillée. Ne pas toucher les ampoules immédiatement après les avoir utilisées. Elles restent chaudes pendant quelques minutes.

CONSIGNES DE SÉCURITÉ IMPORTANTES

LIRE ET CONSERVER CES INSTRUCTIONS

AVERTISSEMENT

S'assurer que l'appareil et les ampoules ont refroidi et que le courant qui alimente l'appareil a été coupé avant de changer une ou plusieurs ampoules. Le non respect de cette instruction peut entraîner un choc électrique ou des brûlures. Les lentilles (le cas échéant) doivent être mises en place lors de l'utilisation de l'appareil. Les lentilles (le cas échéant) permettent d'éviter que les ampoules ne se brisent. Les lentilles (le cas échéant) sont en verre. Manipuler avec précaution pour éviter les cassures. Le verre brisé peut être une cause de blessures.

Certaines surfaces peuvent avoir des bords tranchants. Faire attention en étendant le bras derrière l'appareil ou en dessous.

AVERTISSEMENT

Lorsque la hotte aspirante est utilisée en mode d'évacuation d'air simultanément avec un brûleur différent utilisant également la même cheminée, (tels des appareils de chauffage au gaz, à l'huile ou au charbon, des chauffe-eau instantanés ou des chaudières à eau chaude), veillez à ce que l'apport d'air frais soit suffisant pour assurer la combustion adéquate du brûleur.

Un fonctionnement sans risque est possible si la sous-pression dans la pièce où le brûleur est installé ne dépasse pas 4 Pa (0,04 mbar).

On peut y parvenir en acheminant l'air requis pour la combustion à travers des ouvertures non verrouillables, par exemple dans les portes et fenêtres, et en association avec des boîtiers muraux d'admission/d'évacuation d'air fixées au mur ou grâce à d'autres mesures techniques telles qu'un verrouillage réciproque, etc.

AVERTISSEMENT

Évitez l'intoxication au monoxyde de carbone. – Prévoyez une admission d'air adéquate pour empêcher l'aspiration des gaz de combustion dans la pièce.

Un boîtier mural air d'admission/air d'échappement ne peut garantir que la valeur limite ne sera pas dépassée.

Remarque : Lorsque vous évaluez les exigences globales, vous devez tenir compte du système combiné d'aération de la maison au complet. Cette règle ne s'applique pas aux appareils de cuisson, comme les surfaces de cuisson et les fours.

Avertissements de la Proposition 65 de l'État de la Californie

AVERTISSEMENT

Ce produit contient des produits chimiques connus de l'État de la Californie pour causer le cancer, des anomalies congénitales ou d'autres problèmes de reproduction.

Causes des dommages

AVIS :

- Risque de détérioration par la corrosion. Toujours allumer l'appareil pendant la cuisson afin d'éviter la formation de condensation. Cette dernière peut provoquer de la corrosion.
- Remplacez toujours immédiatement les ampoules défectueuses pour éviter de surcharger les ampoules restantes.
- Risque de détérioration par pénétration d'humidité dans l'électronique. Ne jamais nettoyer les commandes avec un chiffon humide.
- Détérioration de la surface par un nettoyage inapproprié. Nettoyer les surfaces en inox seulement dans le sens du métal. Ne pas utiliser de nettoyant à inox pour les organes de commande.
- Détérioration des surfaces par les produits de nettoyage agressifs ou abrasifs. Ne jamais utiliser de produits de nettoyage agressifs ou abrasifs.
- Risque d'endommagement par le reflux de condensat. Installer le canal d'évacuation d'air légèrement incliné vers le bas à partir de l'appareil (1° de pente).

Protection de l'environnement

Déballez l'appareil et jetez l'emballage dans le respect de l'environnement.

Modes de fonctionnement

Vous pouvez utiliser cet appareil en mode évacuation ou en mode recyclage.

Mode évacuation



L'air aspiré est débarrassé des impuretés par les filtres à graisse, transite par un conduit puis gagne l'extérieur.

Remarque : Il ne faut pas rejeter l'air usé dans une cheminée d'évacuation en service, ni dans un conduit servant à la ventilation de pièces où sont installés des foyers.

- Pour rejeter l'air dans un conduit de fumées qui n'est pas en service, il faut demander l'accord du maître ramoneur compétent.
- Si l'air est évacué à travers le mur extérieur de l'habitation, il faut utiliser un caisson mural télescopique.

Mode recirculation de l'air



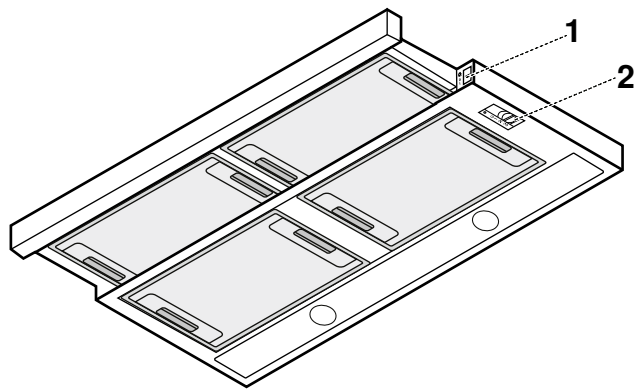
L'air aspiré se nettoie en traversant les filtres à graisse et un filtre au charbon actif, puis il revient dans la cuisine.

Remarque : Pour éliminer les odeurs dans le mode recirculation de l'air, vous devez incorporer un filtre au charbon actif. Pour connaître les différentes possibilités d'utiliser l'appareil en mode recirculation de l'air, consultez les prospectus ou votre revendeur spécialisé. Vous pouvez vous procurer les accessoires dans un commerce spécialisé, auprès du service après-vente ou dans la boutique en ligne. Les numéros de référence des accessoires se trouvent à la fin de la notice d'utilisation.

Utilisation de l'appareil

Remarque : Allumer la hotte aspirante dès le début de la cuisson ; une fois la cuisson achevée, laisser la hotte aspirante fonctionner encore quelques minutes. Ceci permet d'éliminer les vapeurs de cuisson plus efficacement.

Bandeaux de commande



1 Éclairage

 Allumer/éteindre l'éclairage

2 Ventilateur

- | | |
|---|--------------------------|
| 0 | Ventilateur arrêté |
| 1 | Puissance d'aspiration 1 |
| 2 | Puissance d'aspiration 2 |
| 3 | Puissance d'aspiration 3 |

Tiroir-filtre

Retirer le tiroir-filtre

Saisir le tiroir-filtre au milieu et le retirer.

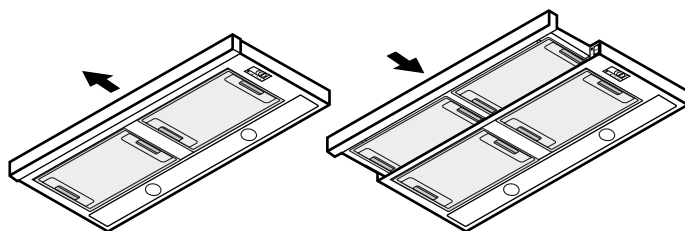
Le bandeau de commande pour l'éclairage est accessible et l'appareil est prêt à fonctionner.

Remarque : L'appareil démarre avec les fonctions qui étaient réglées lors de la fermeture.

Rentrer le tiroir-filtre

Saisir le tiroir-filtre au milieu et le pousser vers l'intérieur.

Remarque : La ventilation et l'éclairage sont désactivés lors de la fermeture.



Régler le ventilateur

Mise en marche

Régler le curseur sur la position 1, 2 ou 3.

Arrêt

Régler le curseur sur la position 0.

Éclairage

Vous pouvez allumer et éteindre l'éclairage indépendamment de la ventilation.

Régler le curseur sur la position 1.

Nettoyage et entretien

▲ AVERTISSEMENT

RISQUE DE BRÛLURES

L'appareil devient chaud pendant le fonctionnement, en particulier au niveau des ampoules. Laisser refroidir l'appareil avant de le nettoyer.

▲ AVERTISSEMENT

RISQUE D'ÉLECTROCUTION

Une infiltration d'humidité risque de provoquer un choc électrique. Nettoyer l'appareil uniquement avec un chiffon humide. Avant le nettoyage, débrancher la fiche secteur ou disjoncter le fusible dans le tableau électrique.

▲ AVERTISSEMENT

RISQUE DE CHOC ÉLECTRIQUE

La pénétration d'humidité peut provoquer un choc électrique. Ne pas utiliser de nettoyeur à haute pression ou à vapeur.

▲ AVERTISSEMENT

RISQUE DE BLESSURE

Les pièces se trouvant dans l'appareil peuvent présenter des arêtes vives. Porter des gants de protection.

Produits de nettoyage

Afin de ne pas endommager les différentes surfaces avec des nettoyants inappropriés, respectez les indications du tableau. N'utilisez pas

- de produits agressifs ni abrasifs,
- de produits de nettoyage fortement alcoolisés,
- de tampons à récurer ni d'éponges à dos récurant,
- de nettoyeurs haute pression ni de nettoyeurs à vapeur.

Avant d'utiliser des lavettes éponges neuves, rincez-les soigneusement.

Respectez l'ensemble des notices et des mises en garde accompagnant les produits de nettoyage.

Surface	Nettoyants
Inox	Eau chaude additionnée de liquide à vaisselle : Nettoyez avec une lavette et séchez avec un chiffon doux. Nettoyez les surfaces en inox uniquement dans le sens de polissage du métal. Des produits d'entretien spécial inox sont disponibles auprès du service après-vente ou dans les commerces spécialisés. Appliquez une fine couche de produit d'entretien avec un chiffon doux.
Surfaces laquées	Eau chaude additionnée de liquide à vaisselle : Nettoyez avec une lavette humide et séchez avec un chiffon doux. N'utilisez pas de nettoyant pour inox.
Aluminium et plastique	Nettoyant pour vitres : Nettoyez avec un chiffon doux.
Verre	Nettoyant pour vitres : Nettoyez avec un chiffon doux. N'utilisez pas de racloir à verre.
Éléments de commande	Eau chaude additionnée de liquide à vaisselle : Nettoyez avec une lavette humide et séchez avec un chiffon doux. Risque d'électrocution par pénétration d'humidité. Risque de détérioration de l'électronique par pénétration d'humidité. Ne nettoyez jamais les éléments de commande avec un chiffon humide. N'utilisez pas de nettoyant pour inox.

Nettoyage du filtre à graisse métallique

Ces instructions valent pour plusieurs variantes d'appareil. Certains équipements ne concernant pas votre appareil peuvent y être décrits.

▲ AVERTISSEMENT

RISQUE D'INCENDIE

Les dépôts de graisse dans le filtre à graisse peuvent s'enflammer.

Nettoyez le filtre à graisse au moins tous les deux mois, ou plus souvent au besoin.

N'utilisez jamais l'appareil sans le filtre à graisse.

Remarques

- N'utilisez pas de produits nettoyants agressifs, contenant de l'acide ou de la lessive.
- Au moment du nettoyage des filtres à graisse métalliques, nettoyez aussi la fixation des filtres avec un chiffon humide, à l'intérieur de l'appareil.
- Vous pouvez nettoyer les filtres à graisse métalliques au lave-vaisselle ou à la main .

À la main :

Remarque : Pour les salissures tenaces, vous pouvez utiliser un solvant à graisse spécial.

- Faites tremper les filtres métalliques dans de l'eau de vaisselle chaude.
- Pour le nettoyage, utilisez une brosse, puis rincez bien les filtres.
- Laissez les filtres s'égoutter.

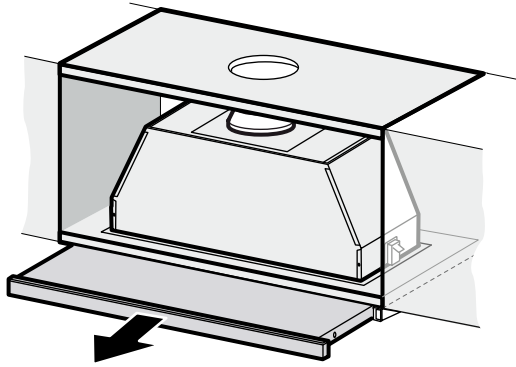
Au lave-vaisselle :

Remarque : Le nettoyage au lave-vaisselle peut provoquer de légères décolorations. Celles-ci n'ont aucune influence sur le fonctionnement des filtres à graisse métalliques.

- Ne pas laver les filtres à graisse métalliques très encrassés avec de la vaisselle.
- Positionner les filtres à graisse métalliques pour qu'ils jouent librement dans le lave-vaisselle. Ne pas coincer les filtres à graisse métalliques.

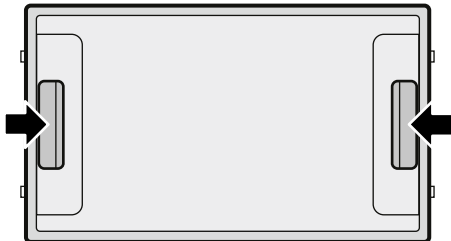
Retirer le filtre à graisse métallique

1. Retirer le tiroir-filtre.



2. Appuyer en même temps sur les deux verrouillages. Fixer les filtres à graisse métalliques avec les mains.

Remarque : Ne pas tordre les filtres à graisse métalliques afin d'éviter tout endommagement.



3. Sortir les filtres à graisse métalliques de leur fixation.

Remarque : La graisse peut s'accumuler dans le bas du filtre à graisse en métal. Tenir le filtre à graisse métallique à l'horizontale pour éviter tout égouttement de graisse.

4. Nettoyer l'appareil à l'intérieur après avoir démonté les filtres à graisse métalliques.
5. Nettoyer les filtres à graisse métalliques et les laisser sécher avant l'encastrement.

Mettre en place le filtre à graisse métallique

1. Mettre en place le filtre à graisse en métal. Avec l'autre main sous le filtre à graisse en métal, intercepter ce dernier.
2. Basculer le filtre à graisse en métal vers le haut puis enclencher le verrouillage.

Changement des filtres à charbon actif (uniquement en cas de mode recyclage)

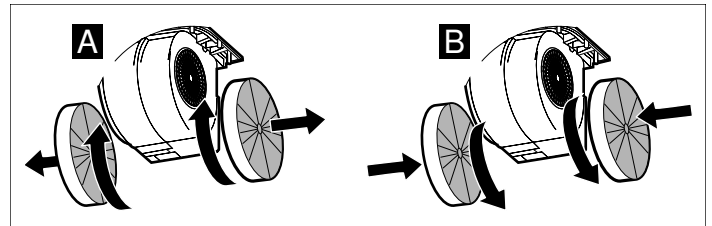
Afin de garantir la capacité de rétention des odeurs, les filtres doivent être régulièrement entretenus.

Les filtres à charbon actif doivent être remplacés au moins tous les 4 mois.

Remarques

- Les filtres à charbon actif ne font pas partie de la fourniture. Les filtres à charbon actif sont en vente dans les commerces spécialisés, auprès du service après-vente ou dans la boutique en ligne.
- Les filtres à charbon actif ne peuvent pas être nettoyés ou réactivés.

1. Retirer les filtres à graisse métalliques.
2. Tourner les filtres à charbon actif usagés et les retirer du support. **A**
3. Pousser les filtres à charbon actif neufs sur le support et les tourner. **B**



4. Mettre en place les filtres à graisse métalliques.

Anomalies, que faire ?

Dans de nombreux cas, vous pourrez remédier vous-même facilement aux anomalies. Avant de contacter le service après-vente, veuillez vérifier les points suivants :

Tableau des anomalies

Anomalie	Cause possible	Solution
L'appareil ne fonctionne pas	La fiche d'alimentation n'est pas branchée	Brancher l'appareil au secteur
	Panne d'électricité	Vérifier si d'autres appareils de cuisine fonctionnent
	Fusible défectueux	Vérifier sur le tableau électrique si le fusible protégeant l'appareil est en bon état.
L'éclairage ne fonctionne pas.	Les ampoules sont défectueuses.	Changer les ampoules, voir le chapitre "Changer les ampoules".

Changer les ampoules

⚠ AVERTISSEMENT

RISQUE D'ÉLECTROCUTION

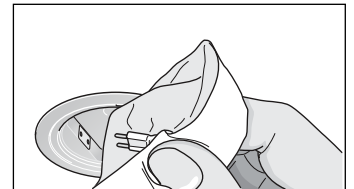
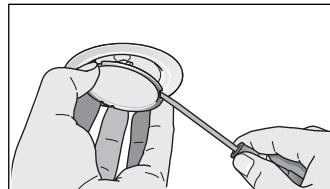
Lors du changement des ampoules, les contacts de la douille sont sous tension. Retirer la fiche secteur ou désactiver le fusible dans le boîtier à fusibles avant de procéder au remplacement.

Important ! Utiliser uniquement des lampes du même type et de la même puissance (consulter aussi la douille des lampes ou la plaque signalétique).

Changer les ampoules halogènes

Remarque : En insérant les ampoules halogènes, veiller à ne pas toucher le ballon de verre. Pour insérer les ampoules halogènes, utiliser un chiffon propre.

1. Avec un outil approprié, retirer prudemment l'anneau de l'ampoule.
2. Extraire l'ampoule et la remplacer par une ampoule du même type.



3. Remettre le couvercle de l'ampoule en place.
4. Brancher la fiche mâle dans la prise de courant ou enclencher le fusible.

Remplacer l'ampoule par un modèle identique :

Tension : 12 V AC

Puissance : max. 20 W

Culot : G4

Service après-vente

Si votre appareil a besoin d'être réparé, notre service après-vente se tient à votre disposition.

Lors de votre appel, veuillez indiquer le numéro de produit (n° E) et le numéro de fabrication (n° FD), afin de nous permettre de mieux vous aider. Vous trouverez la plaque signalétique à l'intérieur de l'appareil (après avoir retiré le filtre à graisse en métal).

Pour éviter d'avoir à les rechercher en cas de besoin, vous pouvez inscrire ici les données de votre appareil et le numéro de téléphone du service après-vente.

N° E	N° FD
Service après-vente ☎	

Veuillez noter que la visite d'un technicien du SAV n'est pas gratuite en cas de manipulation incorrecte, même pendant la période de garantie.

Veuillez consulter l'annuaire du service après-vente ci-joint pour obtenir des informations sur les contacts dans tous les pays.

Faites confiance aux compétences du fabricant. Vous garantissez ainsi que la réparation sera effectuée par des techniciens de SAV formés qui disposent des pièces de rechange d'origine adaptées à votre appareil.

Accessoire

(non compris dans la livraison)
Filtre à charbon actif



HUIF06UC

Débit d'air faible



HUIRED56UC

ÉNONCÉ DE LA GARANTIE LIMITÉE

Couverture de la garantie :

La garantie limitée fournie par BSH Home Appliances Ltd. (« BSH ») dans le présent énoncé de garantie limitée s'applique seulement aux Bosch appareil (« Produit ») vendu au premier acheteur, en autant que le produit ait été acheté :

- pour une utilisation normale résidentielle (non commerciale), et qu'en fait en tout temps a été utilisé pour un usage domestique normal ;
- nouveau au détail (non en montre, tel quel ou un retour), qu'il n'est pas destiné à la revente ni à un usage commercial et ;
- aux États-Unis ou au Canada et qu'il est demeuré en tout temps dans le pays où l'appareil a été acheté.

Les garanties données ici s'appliquent seulement au premier acheteur du produit et ne sont pas transférables. BSH se réserve le droit de demander une preuve d'achat au moment de la réclamation sous garantie afin de confirmer que le produit est à même la période de garantie limitée.

S'assurer de retourner la carte d'enregistrement, quoiqu'elle n'est pas nécessaire pour la garantie, c'est la façon dont BSH peut vous aviser dans le cas d'un avis de rappel ou de sécurité du produit.

Durée de la garantie

BSH garantit que le produit ne présente aucun défaut de matériaux ou de fabrication pour une période trois cent soixante cinq (365) jours à compter de la date d'achat. La durée commence à la date d'achat et ne sera pas allongée, prolongée, interrompue pour quelle que raison que ce soit.

Ce Produit est également garanti contre tout défaut de matériau et de fabrication *apparent* (tels les éraflures sur l'acier inoxydable, les défauts d'aspect de la peinture ou de la porcelaine, les ébréchures, les bosselures, ou autres dégâts au fini du Produit), pendant une période de trente (30) jours à compter de la date d'achat ou de la date de clôture pour une nouvelle construction. Cette garantie relative à l'*apparence* exclut les légères variations de couleur découlant des différences inhérentes aux pièces peintes et en porcelaine, ainsi que découlant des différences causées par l'éclairage de cuisine, l'emplacement du produit ou d'autres facteurs similaires. Cette garantie relative à l'*apparence* exclut plus particulièrement tout appareil électroménager en exposition, de plancher, « En l'état » ou de stock « B ».

Réparation ou remplacement comme solution exclusive

Pendant la période de garantie, BSH ou un de ses centres de service autorisés réparera le produit sans frais (sujet à certaines limitations indiquées dans le présent document), si le produit présente un défaut de fabrication ou de matériaux. Si des tentatives raisonnables pour réparer le produit sont vaines, alors BSH remplacera le produit (un modèle supérieur peut être disponible, à la seule discrétion de BSH, moyennant des frais additionnels). Toutes les pièces ou les composants enlevés demeurent la seule propriété de BSH. Toute pièce et tout composant réparés doit être identique à la pièce d'origine à des fins de cette garantie et la garantie ne sera pas prolongée en regard de telles pièces. La seule responsabilité de BSH est de faire réparer le produit défectueux par un centre de service autorisé pendant les heures d'affaires normales. Pour la sécurité et éviter des dommages à la propriété, BSH recommande fortement de ne pas réparer le produit soi-même, par une personne non qualifiée ; BSH ne sera pas tenu responsable des réparations ou du travail effectué par une personne non autorisée. Si le consommateur désire faire réparer par une personne autre qu'une personne autorisée, CETTE GARANTIE EST AUTOMATIQUEMENT NULLE ET NON AVENUE. Les centres de service autorisés sont les personnes ou les compagnies qui ont été spécialement formées sur les produits BSH et qui possèdent, selon l'opinion de BSH, une réputation supérieure pour le service à la clientèle et la capacité technique (il est à noter qu'elles sont des entités indépendantes et non des agents, partenaires, affiliations ou représentants de BSH). Nonobstant ce qui suit, BSH ne sera pas tenu responsable d'aucune façon si le produit est situé dans une région éloignée (supérieure à 100 miles d'un centre de service autorisé) ou n'est pas accessible de façon raisonnable, dans un environnement hasardeux, dangereux ; dans une telle éventualité, à la demande du consommateur, BSH pourrait payer les frais de main-d'oeuvre et de pièces et expédier les pièces à un centre de service autorisé le plus près, mais le consommateur serait entièrement responsable pour toute durée de déplacement et autres frais spéciaux encourus par le centre de service, en autant qu'il accepte l'appel de service.

Produit hors garantie

BSH n'a aucun obligation, par loi ou autre, d'offrir toute concession, incluant réparation, prorata ou remplacement de produit une fois la garantie expirée.

Exclusions à la garantie

La couverture de garantie décrite aux présentes exclut tout défaut ou dommage qui n'est pas une faute directe de BSH, y compris sans limitation, un ou plusieurs des cas suivants :

- utilisation du produit autre qu'un usage normal, habituel et de la façon destinée (incluant sans limitation toute forme d'utilisation commerciale, d'utilisation ou de rangement d'un produit pour l'intérieur à l'extérieur, utilisation du produit de concert avec un transporteur aérien ou marin) ;

- mauvaise conduite, négligence, mauvaise utilisation, abus, accidents, fonctionnement inadéquat, mauvais entretien, installation inadéquate ou négligente, altération, manquement d'observer les instructions de fonctionnement, mauvaise manipulation, service non autorisé (incluant réparation par le consommateur ou exploration du fonctionnement interne du produit) ;
- ajustement, modification ou altération de toute sorte ;
- manquement à la conformité des normes applicables fédérales, provinciales, municipales ou électrique du pays, codes de plomberie et/ou de construction, réglementation ou lois, incluant le manquement d'installer le produit en stricte conformité avec les codes et réglementations de construction et d'incendie locaux ;
- usure ordinaire, déversements d'aliments, liquide, accumulation de graisse ou autres substances accumulées dans, sur ou autour du produit ;
- toute force ou tout facteur externe, élémentaire et/ou environnemental, incluant sans limitation, pluie, vent, sable, inondation, incendie, coulée de boue, gel, humidité excessive et exposition prolongée à l'humidité, foudre, surtension, problème de structure autour de l'appareil et actes de Dieu.

En aucun cas, BSH ne sera tenu responsable des dommages survenus à la propriété, incluant les armoires, planchers, plafonds et autres objets ou structures autour du produit. Également exclus de la garantie sont des produit sur lequel le numéro de série a été modifié, altéré, effacé, enlevé ; appel de service pour enseigner le fonctionnement du produit ou les visites où il n'y a aucun problème avec le produit ; correction de problèmes d'installation (le consommateur est seul responsable pour toute structure et tout réglage du produit, incluant l'électricité, la plomberie et autres connexions nécessaires, pour un plancher/fondation appropriée, et pour toute modification incluant, sans limitation, armoire, mur, plancher, tablette, etc.) et la remise de coupe-circuit ou remplacement de fusible. SELON LA PORTÉE PERMISE PAR LA LOI, CETTE GARANTIE DONNE DES SOLUTIONS EXCLUSIVE RELATIVEMENT AU PRODUIT, QUE LA RÉCLAMATION SURVIENNE PAR CONTRAT OU TORT (INCLUANT RESPONSABILITÉ STRICTE OU NÉGLIGENCE) OU AUTRE. CETTE GARANTIE EST EN LIEU DE TOUTE AUTRE GARANTIE, EXPRESSE OU IMPLICITE, TOUTE GARANTIE PAR LOI, À DES FINS DE COMMERCIALISATION OU À DES FINS PARTICULIÈRES, OU AUTRE, SERA EN VIGUEUR SEULEMENT POUR LA PÉRIODE EFFECTIVE DE LA GARANTIE LIMITÉE EXPRESSE. EN AUCUN CAS, LE FABRICANT NE PEUT ÊTRE TENU RESPONSABLE DES DOMMAGES ACCESSOIRES, SPÉCIAUX, INDIRECTS, PERTES D'AFFAIRES, ET/OU DOMMAGES PUNITIFS, PERTES, FRAIS INCLUANT SANS LIMITATION LE MANQUEMENT AU TRAVAIL, REPAS À L'HÔTEL ET/OU AU RESTAURANT, FRAIS DE REMODELAGE SURVENUS À CAUSE DE DOMMAGES DIRECTS DÉFINITIVEMENT CAUSÉS EXCLUSIVEMENT PAR BSH OU AUTRE. CERTAINS ÉTATS NE PERMETTENT PAS L'EXCLUSION OU LA LIMITATION DES DOMMAGES ACCESSOIRES OU INDIRECTS ET NE PERMETTENT PAS LA LIMITATION SUR LA DURÉE D'UNE GARANTIE

IMPLICITE, PAR CONSÉQUENT LES LIMITATIONS
SUSMENTIONNÉES PEUVENT NE PAS S'APPLIQUER.
CETTE GARANTIE DONNE DES DROITS SPÉCIFIQUES
ET IL PEUT Y EN AVOIR D'AUTRES QUI VARIENT D'UN
ÉTAT À L'AUTRE.

Aucune tentative de modifier, changer ou amender cette
garantie ne peut être effective sans le consentement écrit
autorisé par un officier de BSH.

Contenido

Definiciones de Seguridad	30
INSTRUCCIONES DE SEGURIDAD IMPORTANTES ..	31
Indicaciones generales	31
Seguridad para evitar incendios	31
Prevención de quemaduras	32
Seguridad de los niños	33
Seguridad en la limpieza	33
Seguridad durante su uso	33
Instalación y mantenimiento adecuados	33
Advertencias en virtud de la Proposición 65 del estado de California	34
Causas para los daños	35
Protección del medio ambiente	35
Modos de funcionamiento	35
Funcionamiento con extracción de aire	35
Funcionamiento en modo de recirculación	35
Operar el equipo	36
Corredera del filtro	36
Iluminación	36
Limpieza y mantenimiento	36
¿Qué hacer en caso de fallas?	39
Servicio al Cliente	39
Accesorio	40
DECLARACIÓN DE GARANTÍA LIMITADA DEL PRODUCTO	40
Cobertura de esta garantía y a quiénes se aplica	40
Duración de la garantía	40
Reparación/reemplazo como único recurso	40
Producto fuera de garantía	41
Exclusiones de la garantía	41

Encontrará más información sobre productos, accesorios, piezas de repuesto y servicios en internet: www.bosch-home.com y también en la tienda online: www.bosch-home.com/us/store

Definiciones de Seguridad

▲ ADVERTENCIA

Esto indica que se pueden producir lesiones graves o la muerte si no se cumple con esta advertencia.

▲ ATENCION

Esto indica que pueden producirse lesiones leves o moderadas si no se cumple con esta advertencia.

AVISO: Esto indica que puede producirse un daño al electrodoméstico o a la propiedad como resultado de la falta de cumplimiento de este aviso.

Nota: Esto lo alerta sobre información y/o consejos importantes.

INSTRUCCIONES DE SEGURIDAD IMPORTANTES

LEA Y CONSERVE ESTAS INSTRUCCIONES

ADVERTENCIA

Su nuevo electrodoméstico ha sido diseñado para ser seguro y confiable si recibe el cuidado adecuado. Lea atentamente todas las instrucciones antes de usarlo. Estas precauciones reducirán el riesgo de quemaduras, descarga eléctrica, incendio y lesiones a personas. Al utilizar electrodomésticos de cocina, se deben tomar precauciones de seguridad básicas, incluidas las que se encuentran en las páginas siguientes.

Indicaciones generales

Una vez retirado el embalaje, revise el aparato. No lo conecte si ha sufrido daños durante el transporte.

ADVERTENCIA

PARA REDUCIR EL RIESGO DE INCENDIO, DESCARGA ELÉCTRICA O LESIONES SOBRE LAS PERSONAS, CUMPLIR LO SIGUIENTE:

- Utilizar esta unidad solo de la manera prevista por el fabricante. En caso de duda, ponerse en contacto con el fabricante.
 - Antes de limpiar o realizar el mantenimiento de la unidad, desconectar la corriente en el cuadro de distribución y bloquear la desconexión de la distribución para evitar una conexión accidental de la corriente.
Si no es posible bloquear la desconexión de la distribución, colocar alguna forma de advertencia visible, como una nota, en el cuadro de distribución.
-

ADVERTENCIA

ADVERTENCIA – PARA REDUCIR EL RIESGO DE INCENDIO, CHOQUE ELÉCTRICO O LESIONES A LAS PERSONAS, OBSERVE LAS SIGUIENTES RECOMENDACIONES:

- El trabajo de instalación y el cableado eléctrico deben realizarse por personal calificado conforme a todos los códigos y estándares aplicables, incluyendo construcción contra incendios.
- Se requiere suficiente aire para la combustión y escape adecuado de gases por el conducto (chimenea) del equipo que quema combustible para evitar la contracorriente. Siga la directriz y las normas de seguridad del fabricante de equipos de calefacción, como las publicadas por La Asociación Nacional para la Protección contra Incendios (NFPA, por sus siglas en inglés) y la Sociedad Americana de Ingenieros en Calefacción, Refrigeración y Aire Acondicionado (ASHRAE, por sus siglas en inglés) y las autoridades locales correspondientes.

- Al cortar o perforar la pared o el techo, no dañe el cableado eléctrico u otras instalaciones ocultas.
 - Los ventiladores entubados siempre deben ser ventilados hacia el exterior.
-

ADVERTENCIA

Para reducir el riesgo de choque eléctrico, no use este ventilador con ningún dispositivo de control de velocidad de estado sólido.

Este electrodoméstico no fue diseñado para ser usado con un temporizador externo ni con un control remoto. Tenga un extinguidor de incendio disponible, cerca, en un área fácilmente visible y accesible, cerca del electrodoméstico.

Seguridad para evitar incendios

ADVERTENCIA

Para reducir el riesgo de incendio y para hacer que el aire salga al exterior correctamente, asegúrese de que haya un conducto que lo dirija hacia afuera. No dirija el aire de salida hacia lugares cerrados, espacios dentro de paredes, techos, áticos, huecos sanitarios o garajes.

ADVERTENCIA

A fin de reducir el riesgo de incendio, utilizar únicamente conducciones de metal.

Siempre tenga un detector de humo en funcionamiento cerca de la cocina.

ADVERTENCIA

PARA REDUCIR EL RIESGO DE INCENDIO OCASIONADO POR GRASA:

- a. Nunca deje las unidades de la superficie sin vigilancia a valores altos. Los derrames por hervor causan humo y salpicaduras grasosas que pueden prenderse fuego. Caliente los aceites despacio, a valores bajos o medianos.
 - b. Siempre encienda la campana al cocinar a un valor de calor alto o al flambear alimentos (p. ej., Crepas Suzette, cerezas Jubilee, carne flambeada con granos de pimienta).
 - c. Limpie los ventiladores extractores con frecuencia. No se debe permitir la acumulación de grasa en los ventiladores ni en los filtros.
 - d. Use el tamaño adecuado de olla. Siempre use utensilios de cocina apropiados para el tamaño del elemento de la superficie.
-

INSTRUCCIONES DE SEGURIDAD IMPORTANTES

LEA Y CONSERVE ESTAS INSTRUCCIONES

ATENCIÓN

Solo para la ventilación general. No utilizar para la extracción de sustancias y vapores peligrosos o explosivos.

En el caso de que su ropa se prenda fuego, arrójese al piso y ruede de inmediato para extinguir las llamas. Sofoque las llamas provocadas por alimentos que se prenden fuego, que no sean incendios ocasionados por grasa, con bicarbonato de sodio. Nunca use agua en incendios ocasionados al cocinar.

ADVERTENCIA

PARA REDUCIR EL RIESGO DE LESIONES A PERSONAS EN CASO DE INCENDIO OCASIONADO POR GRASA EN LA ESTUFA, SIGA ESTAS INDICACIONES:

- SOFOQUE LAS LLAMAS con una tapa que ajuste correctamente, una placa para galletas u otra bandeja de metal; luego, apague la hornilla. ASEGÚRESE DE PREVENIR LAS QUEMADURAS. Si las llamas no se apagan de inmediato, EVACUE EL ÁREA Y LLAME AL DEPARTAMENTO DE BOMBEROS.
 - NUNCA LEVANTE UNA OLLA EN LLAMAS ya que se puede quemar.
 - NO USE AGUA, ni toallas o repasadores húmedos, ya que puede ocasionar una violenta explosión por vapor.
 - Use un extinguidor SÓLO si:
 - Sabe que tiene un extinguidor Clase ABC y ya sabe cómo usarlo.
 - El incendio es pequeño y se limita al área donde se originó.
 - Alguien llamó al departamento de bomberos.
 - Puede combatir el incendio de espaldas a una salida.
-

Si es posible, no ponga el sistema de ventilación en funcionamiento si hay un incendio en la placa. Pero no atraviese el fuego con la mano para apagarla.

ADVERTENCIA

RIESGO DE INCENDIO

Los quemadores de gas en los que no se haya colocado ningún recipiente para cocinar encima, generan gran cantidad de calor durante su funcionamiento. Eso puede dañar o incendiar el aparato de ventilación situado encima. Utilizar los quemadores de gas únicamente colocando encima recipientes para cocinar.

ADVERTENCIA

PELIGRO DE INCENDIO

Cuando se usan simultáneamente varios fogones de gas se genera mucho calor. Eso puede dañar o incendiar el aparato de ventilación situado encima. No utilizar simultáneamente durante más de 15 minutos dos zonas de cocción de gas con una llama grande. Un quemador grande con más de 17,000 Btu/hr (5 kW) (wok) equivale a la potencia de dos quemadores de gas.

ADVERTENCIA

PELIGRO DE INCENDIO

El aceite y la grasa calientes son altamente inflamables. Nunca deje aceite ni grasa calientes sin supervisión. Nunca extinga un incendio con agua. Apague la zona de cocina. Sofoque las llamas con cuidado con una tapa, una manta ignífuga o un objeto similar.

ADVERTENCIA

RIESGO DE INCENDIO

Los depósitos de grasa en el filtro antigrasa pueden incendiarse.

Limpie el filtro antigrasa cada dos meses como mínimo o más a menudo si es necesario.

No utilizar nunca el electrodoméstico sin el filtro antigrasa.

ADVERTENCIA

PELIGRO DE INCENDIO

Los depósitos de grasa en el filtro de grasa se pueden incendiar. Nunca trabaje con flama abierta cerca del equipo (por ejemplo con platillos flameados). Solamente instale el equipo cerca de un fogón para sustancias sólidas (p. ej. madera o carbón) si está disponible una cubierta cerrada que no se pueda quitar. No deben volar las chispas.

Prevención de quemaduras

ADVERTENCIA

RIESGO DE QUEMADURAS

Al estar en funcionamiento, las partes accesibles se calientan mucho. Nunca toque las partes calientes. Mantenga alejados a los niños.

INSTRUCCIONES DE SEGURIDAD IMPORTANTES

LEA Y CONSERVE ESTAS INSTRUCCIONES

Seguridad de los niños

Cuando los niños tienen la edad adecuada para operar el aparato, es responsabilidad de los padres o tutores legales asegurarse de que reciban instrucciones sobre prácticas seguras de personas calificadas.

Retire toda la cinta y el embalaje antes de usar el electrodoméstico. Destruya el embalaje después de desembalar el electrodoméstico. Nunca deje que los niños jueguen con el material de embalaje.

No deje que nadie se suba, pare, incline, sienta o cuelgue de cualquier parte de un electrodoméstico, especialmente una puerta, cajón calentador o cajón para almacenamiento. Esto puede dañar el electrodoméstico, y la unidad puede caerse y, posiblemente, causar lesiones graves.

No permita que niños utilicen este electrodoméstico, a menos que sean supervisados de cerca por un adulto. Los niños y las mascotas no deben quedar solos o sin vigilancia en el área donde se utilice el electrodoméstico. Nunca se les debe permitir jugar cerca del electrodoméstico, independientemente de que esté en funcionamiento o no.

ATENCIÓN

Los objetos de interés para niños no deben almacenarse en un electrodoméstico, en gabinetes sobre un electrodoméstico ni en la placa antisalpicaduras. Si los niños se suben a un electrodoméstico para alcanzar estos objetos, podrían sufrir lesiones graves.

Seguridad en la limpieza

ADVERTENCIA

Asegúrese de que todo el electrodoméstico (incluidos los filtros de grasa y los focos, si corresponde) se haya enfriado y la grasa se haya solidificado antes de intentar limpiar cualquier parte del electrodoméstico.

No use limpiadores a vapor para limpiar el aparato.

Seguridad durante su uso

ADVERTENCIA

No repare ni reemplace ninguna parte del electrodoméstico, a menos que esté específicamente recomendado en este manual. Nunca modifique ni altere la construcción del electrodoméstico. La instalación, servicio técnico o mantenimiento incorrectos pueden causar lesiones o daños materiales. Consulte este manual para su orientación. Remita todas las reparaciones a un centro de servicio técnico autorizado por la fábrica.

ADVERTENCIA

RIESGO DE LESIONES

Los objetos situados sobre el aparato pueden caerse. No colocar objetos sobre el aparato.

Instalación y mantenimiento adecuados

Pídale al instalador que le muestre la ubicación del disyuntor o el fusible. Márquela para recordarla más fácilmente.

Este electrodoméstico debe ser correctamente instalado y conectado a tierra por un técnico calificado. Conéctelo sólo a una toma de corriente eléctrica correctamente conectada a tierra. Para obtener más información, consulte las Instrucciones de instalación.

Este electrodoméstico ha sido diseñado para uso doméstico normal únicamente. No está aprobado para uso en exteriores. Consulte la garantía. Si tiene alguna pregunta, comuníquese con el fabricante.

No almacene ni utilice productos químicos corrosivos, vapores, materiales inflamables ni productos no alimenticios dentro de este electrodoméstico ni cerca de él. Está específicamente diseñado para calentar o cocinar alimentos. El uso de productos químicos corrosivos al calentar o limpiar dañará el electrodoméstico y podría causar lesiones.

No utilice este electrodoméstico si no funciona correctamente o si ha sido dañado. Comuníquese con un centro de servicio técnico autorizado.

No repare ni cambie ninguna parte del electrodoméstico, a menos que se recomiende específicamente en este manual. Remita todas las reparaciones a un centro de servicio técnico autorizado por la fábrica.

ATENCIÓN

La grasa acumulada en los filtros puede volver a derretirse y entrar en la abertura de ventilación.

ATENCIÓN

Apague la alimentación eléctrica en el disyuntor antes de retirar un foco dañado. No toque los focos inmediatamente después de que hayan estado en uso. Los focos permanecen calientes durante varios minutos.

INSTRUCCIONES DE SEGURIDAD IMPORTANTES

LEA Y CONSERVE ESTAS INSTRUCCIONES

ADVERTENCIA

Asegúrese de que el electrodoméstico y las luces se hayan enfriado, y de que la alimentación eléctrica del electrodoméstico esté apagada antes de cambiar el (los) foco(s). No hacerlo podría ocasionar una descarga eléctrica o quemaduras. La lente (si viene incorporada) debe estar en su lugar al usar el electrodoméstico. La lente (si viene incorporada) sirve para proteger el foco contra roturas. La lente (si viene incorporada) es de vidrio. Manipúlela con cuidado para que no se rompa. El vidrio roto podría causar una lesión.

Las superficies ocultas pueden tener bordes filosos. Proceda con cuidado al intentar tomar el electrodoméstico por la parte trasera o desde abajo.

ADVERTENCIA

Cuando se utiliza la campana en modo de aire de escape simultáneamente con un quemador diferente que también usa la misma chimenea (como calentadores a gas, aceite o carbón, calentadores de flujo continuo, calentadores de agua) se debe asegurar que haya un suministro de aire fresco suficiente para las necesidades de combustión del quemador.

La operación segura es posible siempre que la subpresión de la habitación donde está instalado el quemador no supere los 4 Pa (0.04 mbar).

Esto es posible si el aire de combustión puede circular a través de aberturas que no puedan trabarse, como ser en puertas y ventanas, y a través de cajas de entrada/salida de aire en la pared, o mediante otras medidas técnicas, como enclavamiento recíproco, etc.

ADVERTENCIA

Evite la intoxicación por monóxido de carbono: proporcione una entrada de aire suficiente para que los gases de la combustión no vuelvan a ingresar en la habitación.

Una caja de entrada/salida de aire en la pared por sí sola no garantiza que no se superará el valor límite.

Nota: Al evaluar el requisito total, se debe tener en cuenta el sistema de ventilación combinado para todo el hogar. Esta norma no se aplica al uso de aparatos de cocina, como parrillas y hornos.

Advertencias en virtud de la Proposición 65 del estado de California

ADVERTENCIA

Este producto contiene una o más sustancias químicas que el estado de California sabe que provocan cáncer, defectos congénitos, u otro daño reproductivo.

Causas para los daños

AVISOS:

- Peligro de daños por corrosión. Encender siempre el aparato cuando se vaya a cocinar con el fin de evitar la formación de agua condensada. El agua condensada puede conllevar daños por corrosión.
- Cambie siempre de inmediato los focos defectuosos para evitar una sobrecarga en los focos restantes.
- Peligro de daños por humedad que penetre en el sistema eléctrico. Nunca limpie los elementos de operación con trapos mojados.
- Daño en la superficie por limpieza inadecuada. Limpie las superficies de acero inoxidable solamente en dirección del tallado original. No utilice limpiador para acero inoxidable para elementos de servicio.
- Daño en la superficie por productos de limpieza agresivos o por frotación. Nunca use productos de limpieza agresivos o por frotación.
- Peligro de daños por recirculación del vapor condensado. Instalar el canal de salida de aire del aparato ligeramente inclinado hacia abajo (1° de desnivel).

Protección del medio ambiente

Saque el equipo de su empaque y elimine éste de forma ecológica.

Modos de funcionamiento

Este equipo se puede utilizar en funcionamiento con extracción de aire o con funcionamiento de circulación de aire.

Funcionamiento con extracción de aire



El aire aspirado se depura a través de filtros antigrasa y se evacua al exterior mediante un sistema de conductos.

Nota: La emisión de los gases no se debe canalizar hacia una chimenea de humo o de gases de escape que esté en funcionamiento, ni hacia un tiro que sirva para sacar el aire de las habitaciones donde haya equipos con fuego.

- Si los gases de escape se van a canalizar hacia una chimenea de humo o de gases de escape que no esté en funcionamiento, se tiene que conseguir la aprobación del especialista en chimeneas correspondiente.
- Si las emisiones de gases se canalizan a través del muro externo, se tiene que utilizar una caja telescópica para muros.

Funcionamiento en modo de recirculación



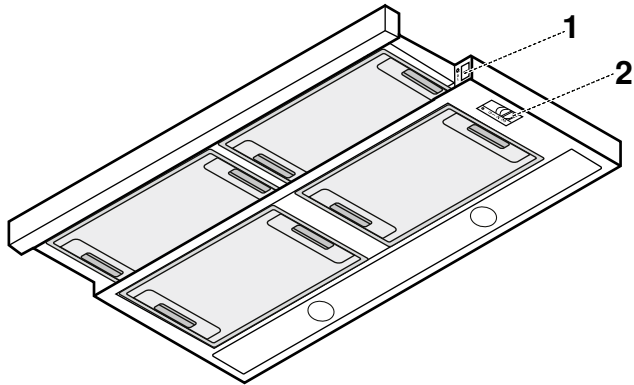
El aire aspirado se depura a través de los filtros antigrasa y de un filtro de carbón activo y se vuelve a llevar a la cocina.

Nota: Para eliminar los olores durante el funcionamiento con recirculación de aire, debe instalarse un filtro de carbón activo. Para conocer todas las posibilidades que ofrece el funcionamiento con recirculación de aire del aparato, consulte la documentación correspondiente o consúltelo en un comercio especializado. Los accesorios necesarios para tal fin pueden adquirirse en comercios especializados, en el Servicio de Asistencia Técnica o en la tienda on-line. Los códigos de los accesorios figuran al final de las instrucciones de uso.


Operar el equipo

Nota: Encender la campana extractora al empezar a cocinar y apagarla unos minutos después de haber finalizado con las tareas de cocción. De esta manera se neutralizarán con gran efectividad los vapores que se desprenden al cocinar.

Paneles de control



1 Iluminación

 Luz encendida/apagada

2 Ventilador

- | | |
|---|-----------------------|
| 0 | Ventilador apagado |
| 1 | Nivel de ventilador 1 |
| 2 | Nivel de ventilador 2 |
| 3 | Nivel de ventilador 3 |

Corredera del filtro

Extraer el cajón del filtro

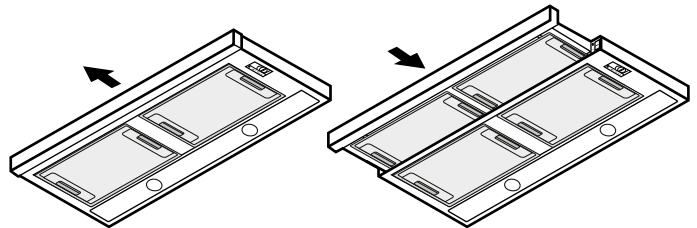
Agarrar el cajón del filtro por la parte central y extraerlo. Se puede acceder al panel de control para la iluminación y el aparato está listo para funcionar.

Nota: El aparato se enciende con las funciones que estaban ajustadas al cerrarlo.

Introducir el cajón del filtro

Agarrar el cajón del filtro por la parte central e introducirlo.

Nota: La ventilación y la iluminación se desconectan con el cierre.



Ajustar el ventilador

Conectar

Colocar la barra deslizante en la posición 1, 2 o 3.

Desactivación

Colocar la barra deslizante en la posición 0.

Iluminación

La iluminación se puede encender y apagar de forma independiente de la ventilación.

Colocar la barra deslizante en la posición 1.

Limpeza y mantenimiento

⚠ ADVERTENCIA

PELIGRO DE QUEMADURAS

El aparato se calienta durante el funcionamiento, sobre todo en la zona de las lámparas. Antes de proceder a la limpieza del aparato, dejar que se enfríe.

⚠ ADVERTENCIA

PELIGRO DE DESCARGA ELÉCTRICA

Si penetra humedad puede causar una descarga eléctrica. Limpiar el aparato solo con un paño húmedo. Antes de la limpieza hay que desconectar el enchufe o los fusibles de la caja de fusibles.

⚠ ADVERTENCIA

PELIGRO DE DESCARGA ELÉCTRICA

La humedad penetrante puede causar una descarga eléctrica. No use una hidrolavadora ni un limpiador por vapor.

⚠ ADVERTENCIA

PELIGRO DE LESIONES

Los componentes dentro del equipo pueden tener bordes filosos. Utilice guantes protectores.

Productos de limpieza

A fin de no dañar las distintas superficies con productos de limpieza inapropiados, consultar las indicaciones de la tabla. No usar en ningún caso:

- productos de limpieza abrasivos o corrosivos,
- productos de limpieza con un alto contenido de alcohol;
- estropajos o esponjas de fibra dura;
- limpiadores de alta presión o por chorro de vapor.

Lavar a fondo los paños de cocina nuevos antes de usarlos.

Tener en cuenta todas las instrucciones y avisos que incluyen los productos de limpieza.

Zona	Productos de limpieza
Acero inoxidable	Agua caliente con jabón: Limpiar con un trapo y secar con un paño suave. Limpiar las superficies de acero inoxidable siempre en la dirección del pulido. Se pueden adquirir productos de limpieza de acero especiales en el Servicio de Asistencia Técnica o en comercios especializados. Aplicar una capa muy fina del producto de limpieza con un paño suave.
Superficies barnizadas	Agua caliente con jabón: Limpiar con un trapo húmedo y secar con un paño suave. No usar limpiadores para acero inoxidable.
Aluminio y plástico	Limpiacristales: Limpiar con un paño suave.
Vidrio	Limpiacristales: Limpiar con un paño suave. No utilizar raspadores para cristal.
Elementos de control	Agua caliente con jabón: Limpiar con un trapo húmedo y secar con un paño suave. Peligro de descarga eléctrica por humedad. Peligro de daños por humedad en el interior del sistema electrónico. No limpiar nunca los elementos de control con un paño húmedo. No usar limpiadores para acero inoxidable.

Limpiar los filtros metálicos para grasa

Este manual es válido para distintas versiones del aparato. Es posible que se describan características de equipamiento que sean aplicables a su aparato.

▲ ADVERTENCIA

RIESGO DE INCENDIO

Los depósitos de grasa en el filtro antigrasa pueden incendiarse.

Limpie el filtro antigrasa cada dos meses como mínimo o más a menudo si es necesario.

No utilizar nunca el electrodoméstico sin el filtro antigrasa.

Notas

- No use productos de limpieza agresivos, o que contengan ácidos o lejía.
- Al limpiar los filtros metálicos para grasa, limpie también el soporte de los filtros en el equipo con un trapo húmedo.
- Los filtros metálicos los puede lavar en la máquina lavavajillas o a mano.

A mano:

Nota: En caso de suciedad rebelde, se puede usar un solvente especial para la grasa.

- Deje que los filtros metálicos para grasa se aflojen en agua caliente con jabón para trastes .
- Utilice un cepillo para lavarlos, y después enjuague bien los filtros.
- Permita que se escurran bien los filtros metálicos.

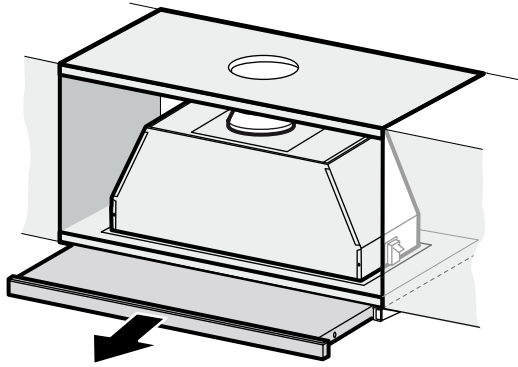
En el lavavajillas:

Nota: La limpieza en el lavavajillas podría conllevar ligeras decoloraciones. Esto no afecta al funcionamiento normal de los filtros de metal antigrasa.

- No lavar los filtros de metal antigrasa junto con el resto de la vajilla si están muy sucios.
- Colocar debidamente los filtros de metal antigrasa en el lavavajillas. Los filtros de metal antigrasa no deben quedar aprisionados.

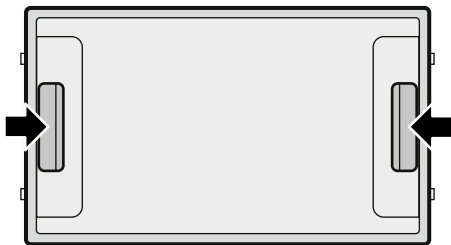
Desmontar el filtro de metal antigrasa

1. Extraer el cajón del filtro.



2. Presionar al mismo tiempo sobre los dos cierres. A la vez, fijar con las manos el filtro de metal antigrasa.

Nota: No doblar el filtro de metal antigrasa para no dañarlo.



3. Extraer el filtro de metal antigrasa del soporte.

Nota: La grasa puede acumularse en la parte inferior del filtro de metal antigrasa. Sujetar el filtro de metal antigrasa en posición horizontal para evitar que gotee grasa.

4. Tras desmontar el filtro de metal antigrasa hay que limpiar el aparato por dentro.
5. Limpiar el filtro de metal antigrasa y dejarlo secar antes de colocarlo.

Montar el filtro de metal antigrasa

1. Colocar el filtro de metal antigrasa.
Agarrar por debajo el filtro de metal antigrasa con la otra mano.
2. Plegar hacia arriba el filtro de metal antigrasa y fijar el bloqueo.

Reemplazar el filtro de carbono activo (solo en funcionamiento con recirculación de aire)

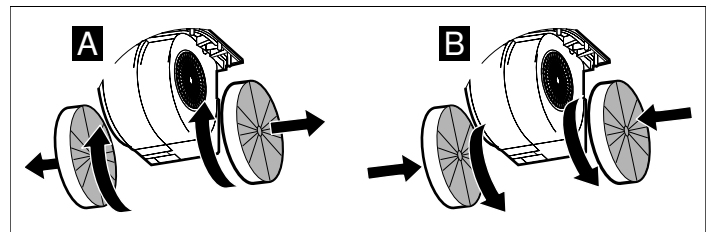
Para garantizar el grado de separación de los olores, debe realizarse un mantenimiento periódico en el filtro. Los filtros de carbón activo deben cambiarse cada cuatro meses como mínimo.

Notas

- Los filtros de carbón activo no están incluidos en el paquete de entrega. Los filtros de carbón activo pueden adquirirse en tiendas especializadas, a través del Servicio de Atención al Cliente o en la tienda en línea.

- Los filtros de carbón activo no deben limpiarse ni reactivarse.

1. Desmontar el filtro de metal antigrasa.
2. Girar el filtro de carbón activo usado y retirarlo del soporte. **A**
3. Presionar el filtro de carbón activo nuevo sobre el soporte y girar. **B**



4. Montar el filtro de metal antigrasa.

¿Qué hacer en caso de fallas?

Muchas veces podrá solucionar fácilmente usted mismo los fallos que aparezcan. Antes de llamar al servicio técnico, tome en cuenta las siguientes indicaciones.

Tabla de fallas

Falla	Posible causa	Solución
El equipo no funciona.	El enchufe no está conectado	Conectar el equipo a la red eléctrica
	Corte de luz	Verificar si están funcionando los demás aparatos de la cocina
	Fusible defectuoso	Revisar en la caja de fusibles si está bien el fusible del equipo
La iluminación no funciona.	Las lámparas están dañadas.	Sustituir las lámparas, ver el capítulo «Sustitución de lámparas».

Sustituir las lámparas

▲ ADVERTENCIA

PELIGRO DE DESCARGA ELÉCTRICA

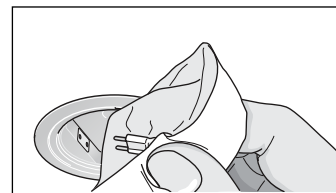
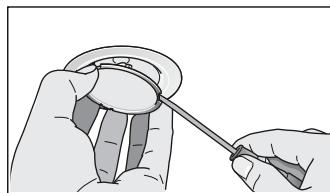
Al sustituir las lámparas, los contactos del portalámparas están con carga de corriente. Antes de sustituirla, desenchufar el aparato de la red o desconectar el fusible de la caja de fusibles.

¡Importante! Utilizar exclusivamente lámparas de iluminación del mismo tipo y potencia (véase el portalámparas o la placa de características).

Sustituir las lámparas halógenas

Nota: Las lámparas halógenas no deben tocarse con los dedos en la ampolleta para su colocación. Para colocar las lámparas halógenas, utilizar un paño limpio.

1. Retirar con cuidado el anillo de la lámpara con una herramienta adecuada.
2. Extraer la lámpara y sustituirla por otra del mismo tipo.



3. Colocar la tapa de la lámpara.
4. Conectar el enchufe a la red eléctrica o conectar de nuevo el fusible.

Sustituir la lámpara por otra del mismo tipo:

Tensión: 12 V AC

Potencia: máx. 20 W

Base: G4

Servicio al Cliente

Nuestro Servicio de Asistencia Técnica se encuentra a su disposición siempre que necesite la reparación de su aparato.

Indicar el número de producto (E) y el de fabricación (FD) para obtener un asesoramiento calificado. La placa de características con la numeración se encuentra en el interior del aparato (desmontar el filtro de metal antigrasa).

A fin de evitarse molestias llegado el momento, le recomendamos anotar los datos de su aparato así como el número de teléfono del Servicio de Asistencia Técnica en el siguiente apartado.

N.º de producto (E) **N.º de fabricación (FD)**

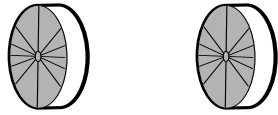
Servicio de Asistencia Técnica ☎

Recuerde que, en caso de manejo incorrecto, la asistencia del personal del Servicio de Asistencia Técnica no es gratuita, incluso aunque esté dentro del período de garantía.

Consulte el directorio de Servicio al cliente adjunto para obtener los datos de contacto para todos los países.

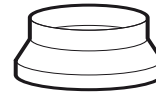
Accesorio

(no incluido de serie)
Filtro de carbón activo



HUIF06UC

Caudal de aire inferior



HUIRED56UC

DECLARACIÓN DE GARANTÍA LIMITADA DEL PRODUCTO

Cobertura de esta garantía y a quiénes se aplica

La garantía limitada otorgada por BSH Home Appliances Corporation ("BSH") en esta Declaración de Garantía Limitada del Producto se aplica únicamente al electrodoméstico Bosch ("Producto") vendido a usted, el primer comprador usuario, siempre que el Producto haya sido comprado:

- Para uso doméstico (no comercial) normal y haya sido utilizado en todo momento únicamente para fines domésticos normales.
- Nuevo en una tienda minorista (que no sea un producto de exhibición, ni un producto vendido "en las condiciones en que se encuentra" ni un modelo devuelto anteriormente) y no esté destinado para reventa ni uso comercial.
- Dentro de los Estados Unidos o Canadá, y permanezca en todo momento dentro del país de compra original.

Las garantías incluidas en el presente se aplican únicamente al primer comprador del Producto y no son transferibles.

BSH se reserva el derecho de exigir un comprobante de la compra al momento de presentar una reclamación de garantía para verificar que el Producto esté cubierto por esta garantía de producto limitada.

Asegúrese de devolver su tarjeta de registro; si bien no es necesario para hacer efectiva la cobertura de la garantía, es la mejor manera para que BSH le notifique en el caso poco probable de que se emita un aviso de seguridad o se retire del mercado un producto.

Duración de la garantía

BSH garantiza que el Producto estará libre de defectos en los materiales y en la mano de obra por un período de trescientos sesenta y cinco (365) días a partir de la fecha de compra. El período precedente comienza a regir a partir de la fecha de compra y no se interrumpirá, dejará sin efecto, extenderá ni suspenderá por ningún motivo.

También se garantiza que este Producto no presenta defectos *estéticos* en el material ni en la mano de obra (como rayas en el acero inoxidable, imperfecciones en la pintura/porcelana, astillas, abolladuras ni ningún otro

daño en el acabado del Producto) durante un período de treinta (30) días desde la fecha de compra o fecha de cierre para una nueva construcción. Se excluyen de esta garantía por defectos *estéticos* las variaciones leves de color que se deban a diferencias inherentes a las piezas pintadas y de porcelana, así como diferencias provocadas por la iluminación de la cocina, la ubicación del producto u otros factores similares. Se excluye específicamente de esta garantía por defectos *estéticos* cualquier electrodoméstico en exposición, de piso, vendido "en el estado en que se encuentra" o de segunda selección.

Reparación/reemplazo como único recurso

Durante el período de esta garantía, BSH o uno de sus proveedores de servicio técnico autorizados reparará su Producto sin cargo para usted (con sujeción a determinadas limitaciones especificadas en el presente) si se prueba que su Producto ha sido fabricado con un defecto en los materiales o en la mano de obra. Si se ha intentado de manera razonable reparar el Producto sin éxito, BSH reemplazará su Producto (es posible que usted tenga disponibles modelos mejorados, a entera discreción de BSH, por un cargo adicional). Todas las piezas y los componentes extraídos serán propiedad de BSH, a su entera discreción. Todas las piezas reemplazadas y/o reparadas se considerarán como la pieza original a los fines de esta garantía, y esta garantía no se extenderá con respecto a dichas piezas. En virtud del presente, la única y exclusiva responsabilidad y obligación de BSH es únicamente reparar el Producto defectuoso de fábrica, a través de un proveedor de servicio técnico autorizado por BSH durante el horario normal de oficina. Por cuestiones de seguridad y daños materiales, BSH recomienda categóricamente que no intente reparar el Producto usted mismo ni use un centro de servicio técnico no autorizado; BSH no tendrá responsabilidad ni obligación alguna por las reparaciones o trabajos realizados por un centro de servicio técnico no autorizado. Si usted prefiere que una persona que no es un proveedor de servicio técnico autorizado trabaje en su Producto, **ESTA GARANTÍA SE ANULARÁ AUTOMÁTICAMENTE.** Los proveedores de servicio técnico autorizados son aquellas personas o compañías que han sido

especialmente capacitadas para manejar los productos de BSH y que tienen, según el criterio de BSH, una reputación superior de servicio al cliente y capacidad técnica (debe tener en cuenta que son entidades independientes y no son agentes, socios, afiliados ni representantes de BSH). Sin perjuicio de lo que antecede, BSH no tendrá responsabilidad ni obligación alguna por el Producto que se encuentre en un área remota (a más de 100 millas de un proveedor de servicio técnico autorizado) o en un lugar, área circundante o entorno que no sea accesible por medios razonables o que sea peligroso, hostil o arriesgado; en cualquier caso, a su solicitud, BSH de todas maneras pagará por la mano de obra y las piezas, y enviará las piezas al proveedor de servicio técnico autorizado más cercano, pero usted seguirá siendo totalmente responsable por el tiempo de viaje y demás cargos especiales de la compañía de servicio técnico, suponiendo que acepte hacer la visita de servicio técnico.

Producto fuera de garantía

BSH no tiene obligación alguna, en virtud de la ley o por otro motivo, de otorgarle ninguna concesión, incluidos reparaciones, prorrates o reemplazo del Producto, con posterioridad al vencimiento de la garantía.

Exclusiones de la garantía

La cobertura de garantía descrita en el presente excluye todos los defectos o daños que no fueron provocados directamente por BSH, incluidos, entre otros, alguno de los siguientes:

- Uso del Producto de maneras distintas del uso normal, habitual y previsto (incluidos, entre otros, cualquier forma de uso comercial, uso o almacenamiento en exteriores de un producto diseñado para interiores, uso del Producto en aeronaves o embarcaciones).
- Conducta indebida, negligencia, uso indebido, abuso, accidentes, descuido, operación inadecuada, omisión de mantener, instalación inadecuada o negligente, adulteración, omisión de seguir las instrucciones de operación, manipulación inadecuada, servicio técnico no autorizado (incluidos "arreglos" o exploración de los mecanismos internos del electrodoméstico realizados por uno mismo) por parte de cualquier persona.
- Ajuste, alteración o modificación de cualquier tipo.
- Incumplimiento de los códigos, reglamentaciones o leyes de electricidad, plomería y/o construcción locales, municipales o de condado, incluida la omisión de instalar el producto cumpliendo estrictamente con los códigos y reglamentaciones locales de construcción y protección contra incendios.
- Desgaste habitual, derrames de alimentos, líquidos, acumulaciones de grasa u otras sustancias que se acumulen sobre, dentro o alrededor del Producto.
- Y cualquier fuerza y factor externo, elemental y/o ambiental, incluidos, entre otros, lluvia, viento, arena, inundaciones, incendios, aludes de lodo, temperaturas bajas extremas, humedad excesiva o exposición prolongada a la humedad, rayos, sobrecargas

eléctricas, fallas estructurales alrededor del electrodoméstico y caso fortuito.

En ningún caso, BSH tendrá responsabilidad ni obligación alguna por los daños ocasionados a los bienes circundantes, incluidos los gabinetes, pisos, techos y demás estructuras u objetos que se encuentren alrededor del producto. También se excluyen de esta garantía productos en los cuales los números de serie hayan sido alterados, modificados o eliminados; visitas del servicio técnico para enseñarle a usar el Producto o visitas en las que se determine que no hay ningún problema con el Producto; corrección de los problemas de instalación (usted es el único responsable de cualquier estructura y soporte del Producto, incluidas las instalaciones de electricidad y plomería o demás instalaciones de conexión, de la correcta instalación en bases/pisos y de cualquier alteración, incluidos, entre otros, gabinetes, paredes, pisos, repisas, etc.); y el restablecimiento de disyuntores o fusibles.

EN LA MEDIDA PERMITIDA POR LA LEY, ESTA GARANTÍA ESTABLECE SUS RECURSOS EXCLUSIVOS CON RESPECTO AL PRODUCTO, INDEPENDIENTEMENTE DE QUE LA RECLAMACIÓN SEA CONTRACTUAL O EXTRA CONTRACTUAL (INCLUIDA LA RESPONSABILIDAD OBJETIVA O LA NEGLIGENCIA), O DE CUALQUIER OTRO MODO. ESTA GARANTÍA REEMPLAZA TODAS LAS DEMÁS GARANTÍAS EXPRESAS O IMPLÍCITAS. LAS GARANTÍAS IMPLÍCITAS POR LEY, YA SEA DE COMERCIABILIDAD O APTITUD PARA UN FIN ESPECÍFICO, O DE CUALQUIER OTRO TIPO, TENDRÁN VIGENCIA ÚNICAMENTE POR EL PERÍODO DE VIGENCIA DE LA PRESENTE GARANTÍA LIMITADA EXPRESA. EN NINGÚN CASO, EL FABRICANTE SERÁ RESPONSABLE POR LOS DAÑOS CONSECUENTES, ESPECIALES, INCIDENTALES, INDIRECTOS, POR "PÉRDIDAS COMERCIALES" Y/O DAÑOS PUNITIVOS, PÉRDIDAS O GASTOS, INCLUIDOS, ENTRE OTROS, TIEMPO FUERA DEL TRABAJO, HOTELES Y/O COMIDAS EN RESTAURANTES, GASTOS DE REMODELACIÓN QUE SUPEREN LOS DAÑOS DIRECTOS, QUE DEFINITIVAMENTE HAYAN SIDO CAUSADOS DE MANERA EXCLUSIVA POR BSH O DE OTRO MODO. ALGUNOS ESTADOS NO PERMITEN LA EXCLUSIÓN O LIMITACIÓN DE DAÑOS INCIDENTALES O CONSECUENTES, Y ALGUNOS ESTADOS NO PERMITEN LIMITACIONES CON RESPECTO AL PLAZO DE VIGENCIA DE UNA GARANTÍA IMPLÍCITA; POR LO TANTO, ES POSIBLE QUE LAS LIMITACIONES PRECEDENTES NO SE APLIQUEN. ESTA GARANTÍA LE OTORGA DERECHOS LEGALES ESPECÍFICOS, Y TAMBIÉN PUEDEN CORRESPONDERLE OTROS DERECHOS QUE PUEDEN VARIAR SEGÚN EL ESTADO. Ningún intento de alterar, modificar o enmendar la presente garantía entrará en vigencia, a menos que fuera autorizado por escrito por un ejecutivo de BSH.



9001096017

960209



BOSCH

Invented for life

1901 Main Street, Suite 600 • Irvine, CA 92614 • 800-944-2904
www.bosch-home.com • © 2015 BSH Home Appliances