



Features and Benefits

- 15 inch pedestal for washer or dryer increases machine height for easy access and includes storage drawer for even more convenience
- This Pedestal Was Designed Specifically for Bosch Washers

Notes: All height, width and depth dimensions are shown in inches. *Please refer to installation instructions prior to making cutout. BSH reserves the absolute and unrestricted right to change product materials and specifications, at any time, without notice. Consult the product's installation instructions for final dimensional data and other details. Applicable product warranty can be found in a accompanying product literature or you may contact your account manager for further details.

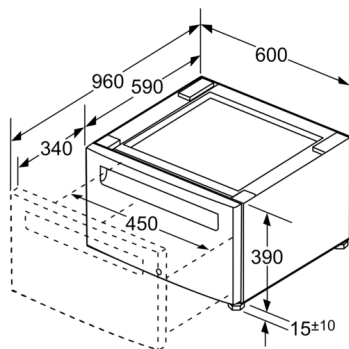
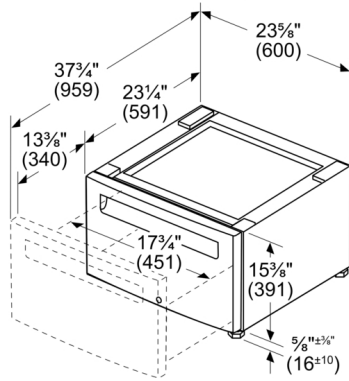
For more information on our entire line of products, go to [boschappliances.com](https://www.boschappliances.com) or call 1-800-944-2904.
Copyright ©2022 BSH Home Appliances Corporation. All rights reserved. Bosch is a registered trademark of Robert Bosch GmbH.

Litho Date: 05/2022

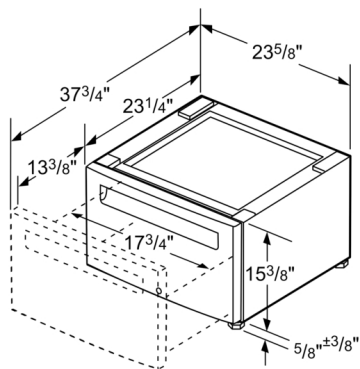
Pedestal With Drawer for 24" Washer



measurements in inches (mm)



measurements in mm



measurements in inch

Features

Product Description	
Brand	Accessory Bosch
Product name / series name	
SKU	WMZPW20W
Internal article number	00000000017005338
EAN code	4242005255054
Product packaging dimensions (HxWxD)	
	39
	42
Quantity per packing unit	
Standard number of units per pallet	
UPC code	825225964346
Product image	MCSA00523695_D5068_Perspektivisch_Schublade

Technical Specification

Notes: All height, width and depth dimensions are shown in inches. *Please refer to installation instructions prior to making cutout. BSH reserves the absolute and unrestricted right to change product materials and specifications, at any time, without notice. Consult the product's installation instructions for final dimensional data and other details. Applicable product warranty can be found in a accompanying product literature or you may contact your account manager for further details.

For more information on our entire line of products, go to boschappliances.com or call 1-800-944-2904.
Copyright ©2022 BSH Home Appliances Corporation. All rights reserved. Bosch is a registered trademark of Robert Bosch GmbH.

Litho Date: 05/2022