

24 " Recessed Handle Dishwasher

300 Series- Stainless steel

SHE43R55UC



Features and Benefits

Key Features

- 48 dBA- Quietest in its class
- Sanitize Option eliminates bacteria and enhances drying results
- AquaStop® Leak Protection
- 300 Series Racks
- InfoLight® Beams on the Floor to Indicate Dishwasher is Running

Design

- Stainless Steel TallTub
- Silver Painted Fascia in Stainless Steel

Performance

- 48 dBA- Quietest in its class
- InfoLight® Beams on the Floor to Indicate Dishwasher is Running
- 4 Wash Cycles and 1 Options
- Sanitize Option eliminates bacteria and enhances drying results

Efficiency

- Saves up to 280 gallons of water each year
- 259 kwh/yr - Energy Star®
- Exceeds ENERGY STAR Requirements for Water by 69%
- EcoSense™ Reduces Energy Usage by up to 20%
- Half Load Cycle for small loads

Convenience

- AquaStop® Leak Protection

Capacity

- 14 Place Setting Capacity
- 300 Series Racks



Notes: All height, width and depth dimensions are shown in inches. *Please refer to installation instructions prior to making cutout. BSH reserves the absolute and unrestricted right to change product materials and specifications, at any time, without notice. Consult the product's installation instructions for final dimensional data and other details. Applicable product warranty can be found in a accompanying product literature or you may contact your account manager for further details.

For more information on our entire line of products, go to boschappliances.com or call 1-800-944-2904.
Copyright ©2013 BSH Home Appliances Corporation. All rights reserved. Bosch is a registered trademark of Robert Bosch GmbH.

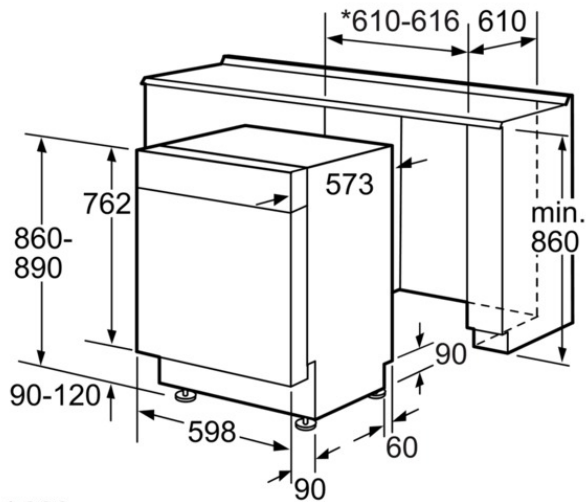
Litho Date: 04/2013



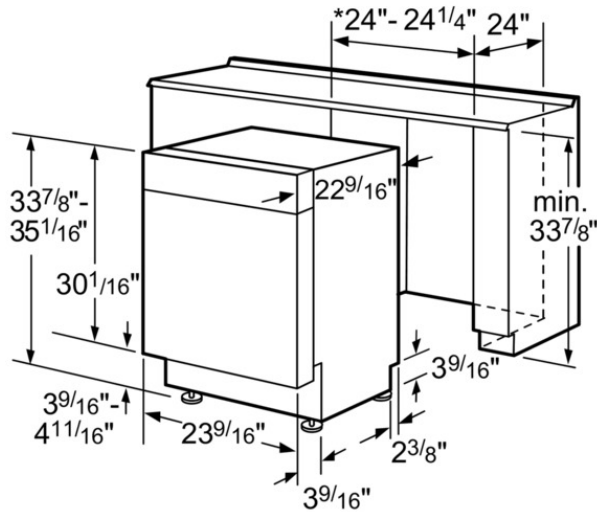
24 " Recessed Handle Dishwasher

300 Series- Stainless steel

SHE43R55UC



* 600
without decor strips Measurements in mm



* 23 5/8" without decorative strip
measurements in inches

Features

| | |
|------------------------|--|
| Leak Protection System | Aqua Stop |
| ChildLock | No |
| Water softener | No |
| Upper Rack | 300 |
| Adjustable upper rack | Single |
| Upper rack cup shelf | 3 |
| Lower Rack | 300 |
| Lower rack cup shelf | |
| 3rd Rack | no |
| Silverware basket | Standard |
| Optional accessories | SGZ1010UC, SGZ1052UC, SGZPC001UC, SMZ4000UC, SMZ5002UC |

Technical Specification

| | |
|---|-------------------------|
| UPC code | 825225899228 |
| Panel ready | No |
| Alternative colors available | |
| Silence level (dBA) | 48 |
| Watts (W) | 1400 |
| Current (A) | 12 |
| Volts (V) | 120 |
| Frequency (Hz) | 60 |
| Energy Consumption (kWh/yr) | 259 |
| Energy Star® qualified | Yes |
| NSF certified | Yes |
| Plug type | Fixed connection |
| Power cord length (in) | |
| Length outlet hose (in) | 90 1/2 |
| Length inlet hose (in) | |
| Required cutout size (HxWxD) (in) | 33 7/8 " x 24 " x 24 " |
| Product packaging dimensions (HxWxD) (in) | 35 7/8" x 26 7/8" x 26" |
| Net weight (lbs) | 81 |
| Gross weight (lbs) | 90 |
| Adjustable feet | Yes |
| Tub material | Stainless steel |
| Tub type | TallTub |
| ADA Compliant | No |
| Number of place settings | 14 |

Notes: All height, width and depth dimensions are shown in inches. *Please refer to installation instructions prior to making cutout. BSH reserves the absolute and unrestricted right to change product materials and specifications, at any time, without notice. Consult the product's installation instructions for final dimensional data and other details. Applicable product warranty can be found in a accompanying product literature or you may contact your account manager for further details.

For more information on our entire line of products, go to boschappliances.com or call 1-800-944-2904.
Copyright ©2013 BSH Home Appliances Corporation. All rights reserved. Bosch is a registered trademark of Robert Bosch GmbH.

Litho Date: 04/2013

