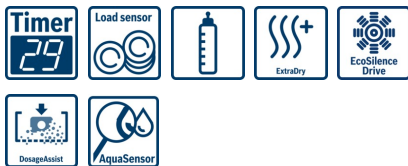


Dishwashers

24" Recessed Handle Dishwasher 300 Series- Black SHE53T56UC



Full Size Stainless Steel Tall Tub Installs Perfectly Flush

- **46 dBA:** Quietest in its class, quietest dishwasher brand.
- AquaStop® leak protection works 24/7 to prevent water damage.
- Full-size stainless steel tall tub with perfectly flush installation.
- Features a clear, bright LED Remaining Time display.
- **46 dBA:** Quietest in its class, quietest dishwasher brand.

Technical Data

Adjustable upper rack :	Single
Upper rack cup shelf :	2
3rd Rack :	None
Silverware Basket :	Standard
Optional accessories :	SGZ1010UC, SMZ4000UC, SMZ5000, SMZ5002UC, SMZPC002UC
UPC code :	825225905066
Variant color :	Black
Panel ready :	No
Alternative colors available :	SHE53T52UC, SHE53T55UC
Silence level (dBA) :	46
Watts (W) :	1300
Current (A) :	12
Volts (V) :	120
Frequency (Hz) :	60
Energy Consumption (kWh/yr) :	259
Energy Star® qualified :	Yes
Plug type :	fixed connection
Required cutout size (HxWxD) (in) :	33 7/8 " x 23 5/8 " x 24 "
Required cutout size (HxWxD) (mm) :	860-890 x 600 x 610
Overall appliance dimensions (HxWxD) (in) :	33 7/8 " x 23 9/16 " x 23 3/4 "
Power cord length (in) :	43 1/2"
Power cord length (cm) :	110
Length outlet hose (in) :	67 "
Length outlet hose (cm) :	175.0
Length inlet hose (in) :	53"
Length inlet hose (cm) :	135
Product packaging dimensions (HxWxD) (in) :	35 3/4" x 26" x 29 5/16"
Tub material :	Stainless steel
Tub type :	TallTub
ADA Compliant :	No
Number of place settings :	15

Optional accessories

- SGZ1010UC : Drain hose extension kit
- SMZ4000UC : silverware basket US Duo
- SMZ5000 : Dishwashing aid set
- SMZ5002UC : Silverware box
- SMZPC002UC : Powercord with cold plug

Dishwashers

24" Recessed Handle Dishwasher 300 Series- Black SHE53T56UC

Full Size Stainless Steel Tall Tub Installs Perfectly Flush

Key Features

- Detergent Tray Optimizes Detergent Dissolving
- AquaStop® Leak Protection Works 24/7
- Self-Latching Door

Design

- Full Size Stainless Steel Tall Tub Installs Perfectly Flush
- 15 Place Setting Capacity
- LED Remaining Time Display
- Manual Height Adjustment for Upper Rack

Performance

- 4 Programs and 4 Options
- Detergent Tray Optimizes Detergent Dissolving
- Load Size Sensor Automates Wash Temperature
- Sanitize Option Eliminates Bacteria and Enhances Drying Results
- ExtraShine™ Option Enhances Shine and Drying Results of your Dishes

Efficiency

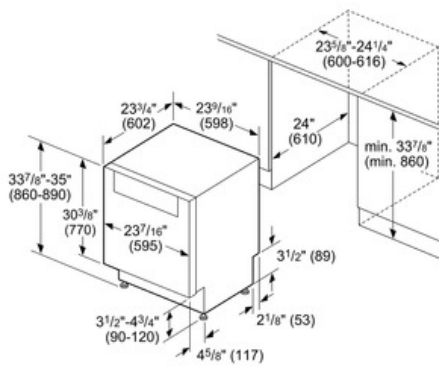
- 259 kwh/yr - Energy Star®

Convenience

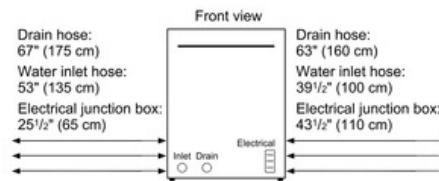
- 24 H Delay Start Timer
- AquaStop® Leak Protection Works 24/7
- Self-Latching Door

Dishwashers

24" Recessed Handle Dishwasher 300 Series- Black SHE53T56UC



measurements in inches (mm)



Drain hose:
67" (175 cm)

Water inlet hose:
53" (135 cm)

Electrical junction box:
25 $\frac{1}{2}"$ (65 cm)

Drain hose:
63" (160 cm)

Water inlet hose:
39 $\frac{1}{2}"$ (100 cm)

Electrical junction box:
43 $\frac{1}{2}"$ (110 cm)

All connections are at the rear of the appliance.
Extension for drain hose available as accessory.
Power cord for connection to electrical outlet (3-prong plug) available as accessory.