

## Dishwashers

### 24" Recessed Handle Dishwasher 800 Plus Series- White SHE7PT52UC



### Expandable wings on our flexible 3rd rack provide extra height to fit ramekins, measuring cups and extra-large utensils.

- **42 dBA:** Quietest Dishwasher Brand in the North America.
- A flexible 3rd rack with folding tines adds 30% more loading capacity.
- Water softener ensures optimally spot-free and shiny dishes.
- Touch Control Technology allows for quick cycle programming.
- RackMatic® offers 3 height levels, for 9 possible rack positions.
- **42 dBA:** Quietest Dishwasher Brand in the North America.

#### Technical Data

|   |   |
|---|---|
| Adjustable upper rack :                     | Rackmatic 3-stage   |
| Upper rack cup shelf :                      | 2   |
| 3rd Rack :                                  | 3rd Rack 2.0  |
| Silverware Basket :                         | Standard  |
| Accessories Parts :                         | 3 small item clips, baking-sheet spray head grey, bottle holder metal |
| Optional accessories :                      | SGZ1010UC, SGZ9091UC, SMZ5002UC, SMZPC002UC                           |
| UPC code :                                  | 825225904977  |
| Variant color :                             | White   |
| Panel ready :                               | No  |
| Alternative colors available :              | SHE7PT55UC, SHE7PT56UC  |
| Silence level (dBA) :                       | 42  |
| Watts (W) :                                 | 1300  |
| Current (A) :                               | 12  |
| Volts (V) :                                 | 120   |
| Frequency (Hz) :                            | 60  |
| Energy Consumption (kWh/yr) :               | 259   |
| Energy Star® qualified :                    | Yes   |
| Plug type :                                 | fixed connection  |
| Required cutout size (HxWxD) (in) :         | 33 7/8 " x 23 5/8 " x 24 "  |
| Required cutout size (HxWxD) (mm) :         | 860-890 x 600 x 610   |
| Overall appliance dimensions (HxWxD) (in) : | 33 7/8 " x 23 9/16 " x 23 3/4 "                                       |
| Power cord length (in) :                    | 43 1/2"   |
| Power cord length (cm) :                    | 110   |
| Length outlet hose (in) :                   | 67 "  |
| Length outlet hose (cm) :                   | 175.0   |
| Length inlet hose (in) :                    | 53"   |
| Length inlet hose (cm) :                    | 135   |
| Product packaging dimensions (HxWxD) (in) : | 35 3/4" x 26" x 29 5/16"  |
| Tub material :                              | Stainless steel   |
| Tub type :                                  | TallTub   |
| ADA Compliant :                             | No  |
| Number of place settings :                  | 15  |

#### Optional accessories

- SGZ1010UC : Drain hose extension kit
- SGZ9091UC : finish salt for dishwashers
- SMZ5002UC : Silverware box
- SMZPC002UC : Powercord with cold plug

## Dishwashers

### **24" Recessed Handle Dishwasher 800 Plus Series- White SHE7PT52UC**

**Expandable wings on our flexible 3rd rack provide extra height to fit ramekins, measuring cups and extra-large utensils.**

---

#### **Key Features**

- Flexible 3rd Rack with Adjustable Separators Provides Additional Loading Capacity
- Touch Control Technology
- Water Softener Ensures Perfect Shine
- AquaStop® Leak Protection Works 24/7

#### **Design**

- Full Size Stainless Steel Tall Tub Installs Perfectly Flush
- Flexible 3rd Rack with Adjustable Separators Provides Additional Loading Capacity
- 16 Place Setting Capacity
- LED Remaining Time Display
- Touch Control Technology
- RackMatic® on Upper Rack - 3 Height Adjustments and Up to 9 Possible Rack Positions
- Flexible Silverware Basket Can be Split into Two Pieces and Placed Anywhere for Added Flexibility
- Extra Tall Item Sprinkler Cleans Items 22" Tall

#### **Performance**

- 6 Programs and 5 Options
- Detergent Tray Optimizes Detergent Dissolving
- Load Size Sensor Automates Wash Temperature
- Water Softener Ensures Perfect Shine
- Sanitize Option Eliminates Bacteria and Enhances Drying Results

#### **Efficiency**

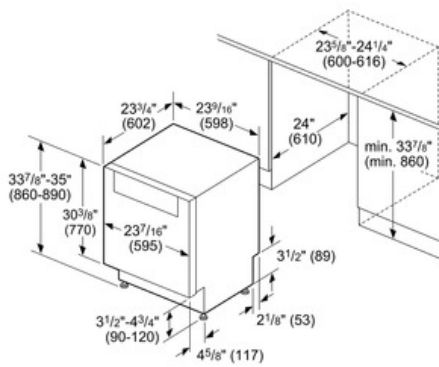
- 259 kwh/yr - Energy Star®
- Half Load Option for Small Loads

#### **Convenience**

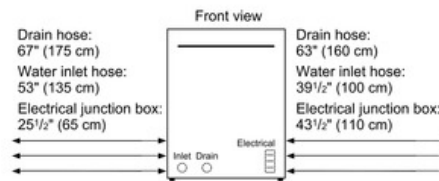
- 24 H Delay Start Timer
- AquaStop® Leak Protection Works 24/7
- Self-Latching Door
- Express Wash - In 30 Minutes or Less
- SpeedPerfect™ Option Reduces Cycle Time while Maintaining Cleaning Performance

## Dishwashers

### 24" Recessed Handle Dishwasher 800 Plus Series- White SHE7PT52UC



measurements in inches (mm)



All connections are at the rear of the appliance.  
Extension for drain hose available as accessory.  
Power cord for connection to electrical outlet (3-prong plug) available as accessory.