

The 2015 Bosch dishwasher lineup.



BOSCH

Invented for life

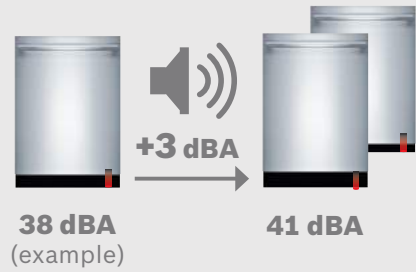


Best-in-class quiet

Bosch looks at noise reduction from every angle, incorporating 18 unique sound-reducing technologies. And as the quietest line of dishwashers in the U.S., all Bosch quiet levels are certified by an independent lab.

What's a decibel?

Noise is measured in decibels (dBA). A three decibel increase is the sound power equivalent of running two dishwashers at once.

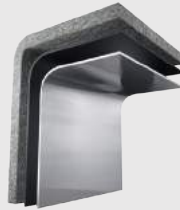


Quietest Dishwasher Brand* in North America

Our Benchmark™ model is the quietest model in North America, running at only 38 dBA.**

Multiple Insulation Layers

Multiple layers of sound-absorbing insulation: Coated stainless steel, baked on bitumen, and cotton fiber dampen noise.



EcoSilence™ Motor System

Two small brushless motors instead of a single large one reduce friction and work more efficiently. Motors are held by a rubber suspender to absorb vibration. Drain pump detects when water is drained and stops motor immediately to minimize snorkeling noise.



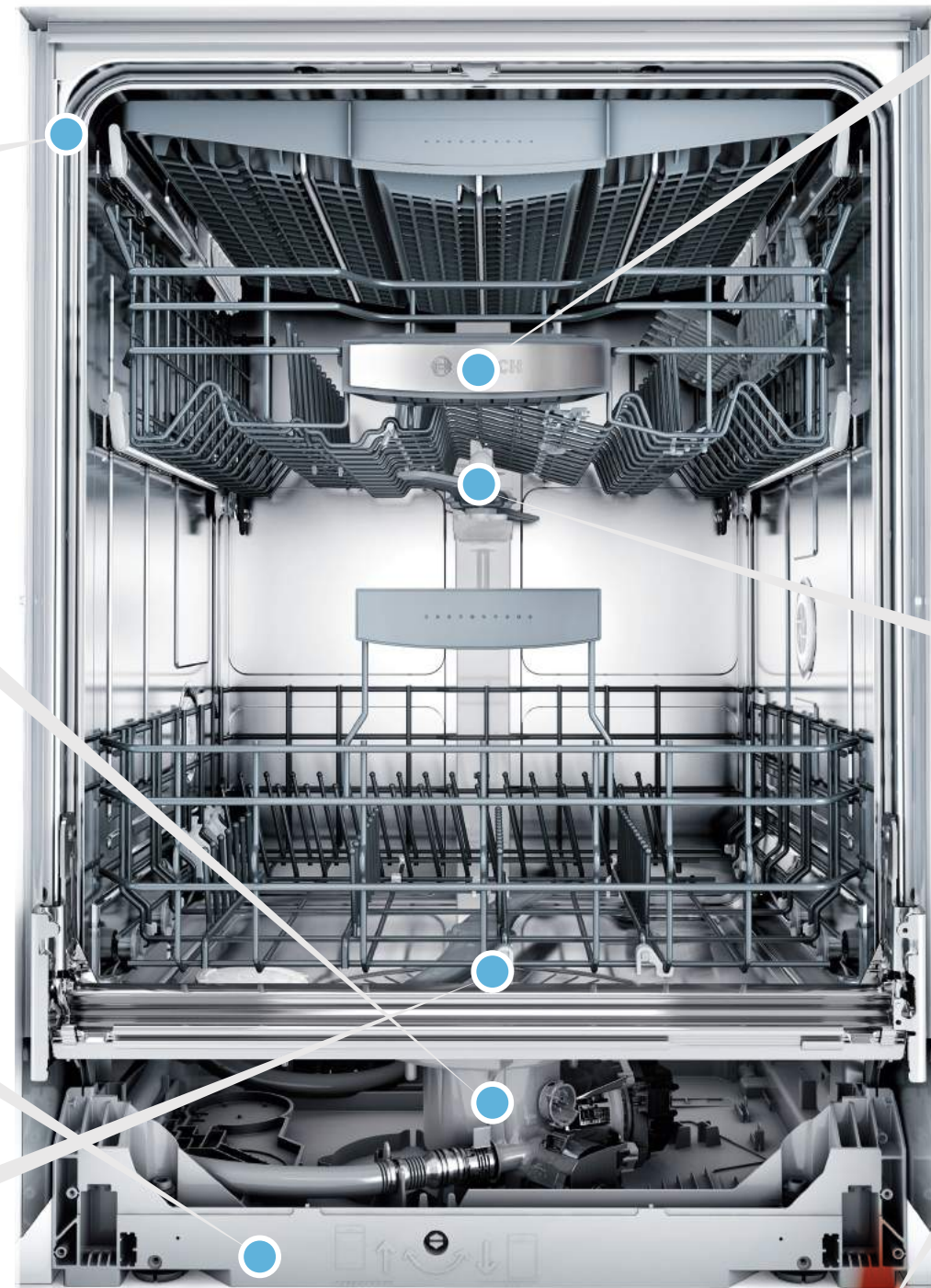
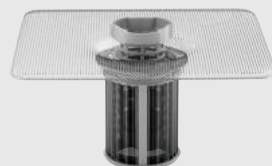
Solid Molded Base

Solid molded base absorbs sound while minimizing vibration.



Triple-filtration System

Grindless system filters out food particles, eliminating the need for a loud food disposal.



Detergent Tray

Optimized for tablets, this tray holds detergent in place for a dedicated spray jet to directly dissolve tablet and minimize spraying the door. (Note: Dishwasher also works with powder and gel.)



Spray Arm

Spray arms project water directly towards dishes, reducing noise.

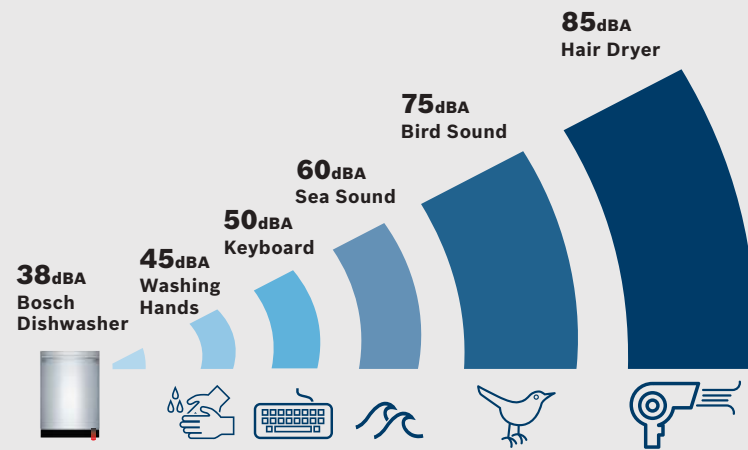


InfoLight®/TimeLight™

So quiet, we've added a light to let you know a cycle is running.



Understanding Decibels



*Based on an average of sound ratings of 24" Full Size Stainless Steel Tub dishwashers contained in major brands websites. Major brands defined as TraQline Top 5 Market Share March 2014
 **Based on sound ratings in the normal cycle, per IEC 60704-2-3 Standards, November 2014.

Precisely designed

Bosch designers believe that form must always be balanced with function. Whether it's a new way to load your silverware and bulky items, or a seamless look with cabinets through our ultra-flush installation, our commitment to purposeful design is clear.



RackMatic®

Adjust the upper rack in just one step, even when loaded. Adjusts to three different heights and allows for up to 9 rack positions for ultimate loading flexibility.



Ergonomic Design

Control panels designed for perfect visibility without having to lean down.



Self-Latching Door

Door holds firm at any position and automatically shuts at less than 20°.

Design choices:

Five designs for every taste.



NEW Scoop Handle

Bar Handle

Pocket Handle

Recessed Handle

Custom Panel



Interior Light

A bright white interior light adds an aesthetic accent in the kitchen and makes loading easier in dim lighting.



Flush Installation

Our full size tub can be installed perfectly flush to cabinetry.

Design highlights

Pocket Handle

Our pocket handle design offers a clean look that integrates seamlessly into your kitchen without a handle protruding from the fascia. Available in stainless steel, black and white.



800 Series Design Upgrade

Upgrade to a 800 Series recessed handle or bar handle design for a fully wrapped stainless steel fascia panel* with a capacitive touch control. On the 800 Series recessed handle, upgrade to a sleek debossed logo.

Recessed



500 Series shown
Model#: SHE65T55UC

Bar Handle



500 Series shown
Model#: SHX65T55UC



800 Series shown
Model#: SHE68T55UC



800 Series shown
Model#: SHX68T55UC

* SHE model only

New Scoop Handle

Our new scoop handle is a beautiful addition to any kitchen. Available in stainless steel, black and white.



TFT Display

Check cycle status in high definition color and receive maintenance information such as when to refill rinse aid.



Third rack

What goes in a third rack? Anything you want. Bakers love the space for measuring cups and beaters. Chefs love the space for whisks and ramekins. Parents love the space for plastic containers. And some people use it instead of their silverware basket, claiming extra space for dishes down below. At Bosch, we've engineered our third rack to fit to your life and give you up to 30% more loading area*.

- 1 Expandable wings allow for loading more deep items.
- 2 Adjustable tines allow for more customized space based upon the size of awkward, bulky items.
- 3 Unique V-shape of our third rack allows for easy loading of extra tall stemware in the middle rack.
- 4 The center of our V-shaped rack provides the perfect space for large utensils or ramekins.
- 5 Using the lower position of RackMatic®, our middle rack can load two rows of highball glasses or measuring cups, even with the third rack.

Flexible Third Rack



Standard Third Rack



For silverware



For silverware and cooking utensils



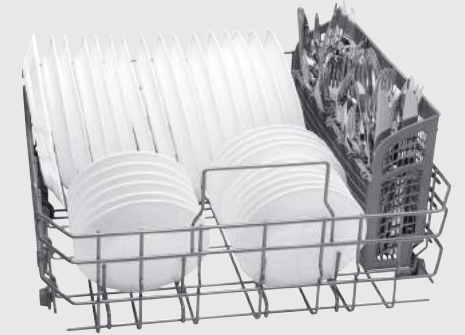
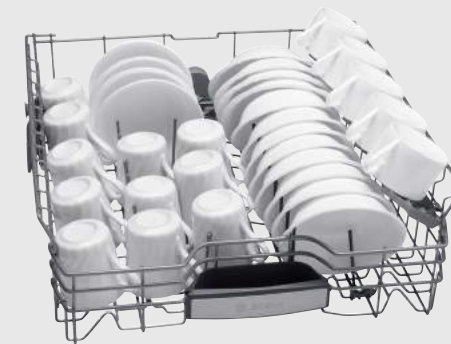
For large cooking utensils



Whatever you have, we can hold

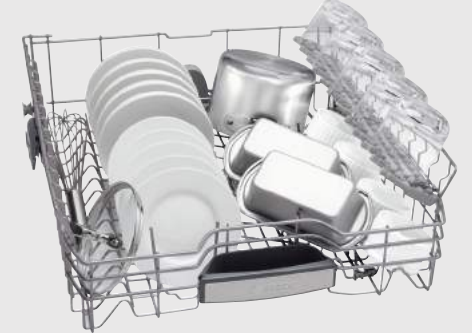
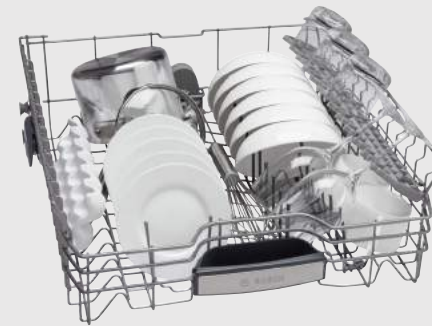
16 Place Settings

Our racks fit 16 full place settings including a dinner plate, salad plate, bowl, mug and 16 5-piece sets of cutlery.



Everyday Loads

Because a lot more goes in dishwashers than dishes, our racks are designed to fit mixed loads of pots, pans and dishes, allowing you to clean up after dinner without any hand washing.



Silverware Basket

The Duo-Flex removable silverware basket can be placed anywhere in the dishwasher, offering ultimate flexibility.



*Compared to a Bosch dishwasher with two racks.

Exacting quality

Our roots in German engineering are part of what make Bosch unique. Every part of our manufacturing process reflects meticulous thought and optimization. No gadgets. No gizmos. We're committed to offering straightforward technologies that improve daily life. In fact, no one has fewer repairs than Bosch.*

Follow the quality of our products from the factory to a customer's home.

Thoughtful Engineering

Every part of our dishwashers reflect our high engineering standards.

Water Softener

Water softener removes hard water spots caused by lime deposits and softens water to the appropriate level for superior washing results.



Speed60™
Dirty to Dry in about 60 minutes.

Half Load Option

This option can be used when washing small, lightly soiled loads that fill half or less of the dishwasher's capacity.

ActiveWater®

Technology that utilizes design, water pressure and efficiency to circulate 2.5 gallons of water into the cleaning power of more than 600 gallons. Available on all models.



Quality Materials

Stainless Steel Tub

We start with high quality stainless steel that comes with a lifetime warranty against tub rust through.



Dishwasher Filter

Our filter's corrugated shape, inspired by automotive filters, offers greater surface area for more complete filtration.



Testing

At our factories, assuring quality means a lot more than checking off a box.

Quality Checks

Not just good, but great. Every dishwasher must pass 485 rigorous quality checks before leaving our factory.

Water-Tested

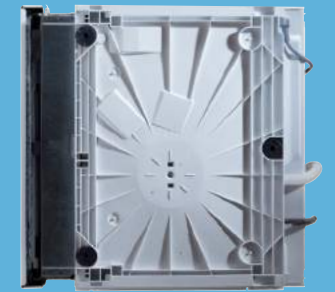
As the brand that runs every dishwasher with water before shipping, we have to ensure that our units successfully run prior to getting to your home. Water spots in your brand new Bosch are proof that your unit passed the test!



Security

24/7 AquaStop®

AquaStop® is a precisely engineered tub and sensor system with a solid molded base to contain leaks. If a leak has occurred, it shuts down operation and automatically pumps out water to avoid contact with the floor. Now it even works 24/7 and can turn itself on.



Good Housekeeping Seal

All Bosch dishwashers are backed by the Seal and Good Housekeeping's additional two year limited warranty. To learn more about redemption, visit www.ghseal.com



Awards

When we talk about German Engineering, we're talking about our commitment to producing the world's best products. That's why Bosch dishwashers are the most awarded dishwasher brand worldwide* You don't reach this achievement without being obsessed with the details. Over 100 engineers work under the strictest standards of German Engineering to make sure you have the best appliance in your home.

Best Value

Rated best value by a leading consumer publication**.



ENERGY STAR® Partner of the Year

ENERGY STAR® Sustained Excellence Award Recipient.



*Fewest repairs based upon reliability survey of a leading consumer publication 2014.

*According to the 2012 worldwide count of "best in test" ratings from comparative dishwasher tests. **According to a leading consumer publication.

What's new for 2015?

Ascenta Dishwashers

Quiet

New for Ascenta:

- As low as 46 dBA: Quietest Dishwasher brand ¹
- Detergent tray
- InfoLight[®]

Flexibility

New for Ascenta:

- RackMatic[®] adjustable system
- Knife Rack
- Adjustable tines in lower rack

Design

New for Ascenta:

- Scoop Handle
- Recessed Handle
- Neutral design to seamlessly integrate into the kitchen

Performance

New for Ascenta:

- Speed60™ cycle
- ExtraDry option
- ExtraScrub option (DLX only)

300, 500 & 800 Series Dishwashers

New for 300 Series:

- DLX Scoop Handle design (SHS63) available in Stainless Steel, Black and White

New for 500 Series:

- Pocket Handle available in Black and White

New for 800 Series:

- Pocket Handle available in Stainless Steel

+ Represents Step-up

* Polypropylene

† Indicates multiple colors options

** SHX/P/V/S only

B Black

W White

Additional Ascenta DLX Features:

SHS5AVL [†] UC DLX	SHX5AVL5UC DLX
ExtraScrub option	ExtraScrub option
B W	



B W Recessed Handle



B W Bar Handle



B W Scoop Handle



B W Bar Handle

Ascenta Series (SHS5AV5 [†] UC)	Ascenta Series (SHX5AV5 [†] UC)
+ InfoLight [®]	InfoLight [®]
+ Knife Rack	Knife Rack
+ RackMatic [®] Adjustable System	RackMatic [®] Adjustable System
24/7 Overflow Protection	24/7 Overflow Protection
Long Silverware Basket	Long Silverware Basket
14 Place Settings	14 place settings
Best Value ²	+ Detergent Tray
6 Cycles / 2 Options	Detergent Tray
SS Tub w/ PP *	+ 5 cycles / 4 options
	SS Tub w/ PP*

Ascenta Series (SHX5AV5[†]UC)

+ Bar Handle design

InfoLight[®]

Knife Rack

RackMatic[®] Adjustable System

24/7 Overflow Protection

Long Silverware Basket

14 place settings

+ Detergent Tray

Detergent Tray

+ 5 cycles / 4 options

SS Tub w/ PP*

SS Tub w/ PP*

Best Value ²

≈ 279 kWh/yr



50 dBA

InfoLight[®]

≈ 269 kWh/yr



46 dBA


Bar Handle Design

≈ 269 kWh/yr



46 dBA

Additional Ascenta DLX Features:

300 Series DLX	500 Series DLX	800 Series DLX
RackMatic [®]	SpeedPerfect™	Duo-Flex Silverware Basket
4 cycles / 5 options	SpeedPerfect™	SpeedPerfect™
B W For Recessed and Scoop Handles only.	5 cycles / 6 options	6 cycles / 6 options
 44 dBA	B W For Recessed and Pocket Handles only.	Extra Tall Item Sprinkler



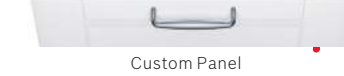
B W Recessed Handle



B W Pocket Handle



B W Bar Handle



Custom Panel



B W Recessed Handle



B W Pocket Handle



B W Bar Handle



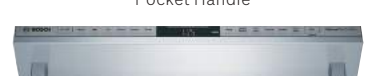
Bar Handle



B W Recessed Handle



Pocket Handle



B W Bar Handle



Custom Panel

300 Series	500 Series	800 Series
+ 24/7 AquaStop [®]	+ Third Rack	+ Eco Cycle
Long Silverware Basket	24/7 AquaStop [®]	+ Vase holder, Small Item Clips
+ 15 Place Settings	Long Silverware Basket	Third Rack
Manual Adjustable System	+ 16 Place settings	24/7 AquaStop [®]
InfoLight [®] **	RackMatic [®] Adjustable System	Long Silverware Basket
Electronic Controls	InfoLight [®] **	16 Place Settings
4 Cycles / 4 Options	Electronic Controls	RackMatic [®] Adjustable System
+ Deeper SS Tub	+ 5 Cycles / 5 Options	InfoLight [®] **
	Deeper SS Tub	+ Capacitive Touch Controls
		+ 6 Cycles / 5 Options
		Deeper SS Tub

Deeper Stainless Steel Tub

≈ 259 kWh/yr



46 dBA

Third Rack

≈ 259 kWh/yr



44 dBA

Touch Control

≈ 259 kWh/yr



44 dBA

¹ Based on an average of sound ratings of 24" Full Size Stainless Steel Tub dishwashers contained in major brands websites. Major brands defined as TraQline Top 5 Market Share March 2014.

² According to a leading consumer publication

Benchmark™ Dishwashers

New for Benchmark™:

- Custom panel SHV8PT available
- SH_7PT_UC models will become part of the Benchmark™ lineup



- + Represents Step-up
- ** SHX/P/V only
- *** SHE only
- B** Black
- w** White



Benchmark™ Series

+ Alternating Folding Tines

+ Made in Germany

Benchmark™ Series	Benchmark™ Series	Benchmark™ Series
+ Water Softener	+ Interior Light	Interior Light
+ Glass Cycle	Water Softener	Water Softener
+ Vase holder, Small Item Clips, Extra Tall Item Sprinkler	Glass Cycle	Glass Cycle
+ Flexible Third Rack	Vase holder, Small Item Clips, Extra Tall Item Sprinkler	Vase holder, Small Item Clips, Extra Tall Item Sprinkler
24/7 AquaStop®	Flexible Third Rack	Flexible Third Rack
+ Duo-Flex Silverware Basket	24/7 AquaStop®	+ 24/7 AquaStop® Plus
16 Place Settings	Duo-Flex Silverware Basket	Flexible Silverware Basket
RackMatic® Adjustable System	16 Place settings	15 Place Settings
+ TimeLight™ **	RackMatic® Adjustable System	RackMatic® Adjustable System
Capacitive Touch Controls	+ TFT Display ***	TFT Display ***
6 Cycles / 5 Options	+ Piezo Steel Touch® Controls	Piezo Steel Touch® Controls
Deeper SS Tub	6 Cycles / 5 Options	6 Cycles / 5 Options
	Deeper SS Tub	SS Tub

Focus on Benchmark™ dishwashers

Our Benchmark™ range represents the very best of Bosch dishwashers. Here are some of the exclusive features:



Interior Light

A bright white interior light adds an aesthetic accent in the kitchen and makes loading easier in dim lighting.



TFT Display

Check cycle status in high definition color and receive maintenance information such as when to refill rinse aid.



Alternating Tines

Adds flexibility to accommodate large pots, pans and dishes.



Energy Efficient

All of our dishwashers are ENERGY STAR qualified, and our top of the line model uses only 239 kWh/yr.



Manufactured in Germany

Our roots in German engineering are part of what make Bosch unique.



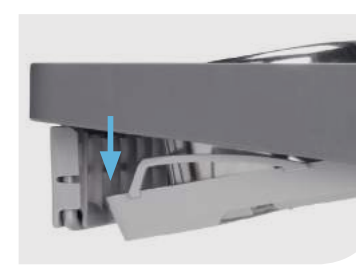
38 dBA

Quietest dishwasher brand in the US.*



24/7 AquaStop®

Four part leak protection system works to preempt and prevent overflow and flooding.



Flexible Third Rack

Expandable wings on our flexible 3rd rack provide extra height to fit ramekins, measuring cups, and extra large utensils.

*Based on an average of sound ratings of 24" Full Size Stainless Steel Tub dishwashers contained in major brands websites. Major brands defined as TraQline Top 5 Market Share March 2014.

Water Softener 259 kWh/yr **42** dBA | TFT Display 259 kWh/yr **40** dBA | Complete Rack Flexibility 239 kWh/yr **38** dBA (As low as)

What's new for Ascenta

Quiet operation. Sleek, modern design. Quality, German engineering. We are delighted to share with you the new 2015 Bosch Ascenta dishwasher line.



RackMatic®

Adjust the upper rack in just one step, even when loaded. Adjusts to three different heights and allows for up to 9 rack positions for ultimate loading flexibility.



Speed60™

Dirty to Dry in about 60 minutes



InfoLight®

So quiet, we've added a light to let you know a cycle is running.



Knife Rack

Added flexibility to specially accommodate kitchen knives in the upper rack.



Quiet

Bosch looks at noise reduction from every angle, incorporating 18 unique sound reducing technologies. The new Ascenta range is now as low as 46 dBA.



Detergent Tray

Optimized for tablets, this tray holds detergent in place for a dedicated spray jet to directly dissolve tablet and minimize spraying the door. (Note: dishwasher also works with powder and gel.)



Flexibility

Adjustable tines allow for more customized space based upon the size of awkward, bulky items.



ExtraScrub Option*

Increases pressure and temperature in the lower rack for intensive cleaning.

Launch marketing activities – Ascenta

Finish Promotion

Get a free supply of Finish Quantum in all new Ascenta models.



POP

Dishwashers will be released with factory-applied POP on the inside of every unit. External POP will be shipped to DSMs for distribution.

Print Ads

Standard-sized newspaper and magazine launch print ads will be made available.

Training materials & literature

Training materials will be provided as well as retailer specific literature to support the launch.

Asset Library

Launch support materials (photos, videos, banners) will be available on the asset library starting in 2015.
<http://microsites.boschappliances.com/assetlibrary/>

Sharepoint Site

Bosch Dishwasher Launch Support Materials will be available on the sharepoint site starting in 2015:
http://us-teampspace.amno.corp.bshg.com/sites/us_pg_product_marketing/default.aspx

Consumer Reviews Campaign

We will have an ongoing campaign to encourage consumer reviews which will support the launch.

PR & Social Media

The launch will be supported with Social Media posts and PR stories.

Launch Videos

Ascenta specific launch videos will be made available focusing on the key messages of Quiet, Flexibility & Speed.

*DLX only.



What's new for 2015?

ADA Special Application Dishwashers

Quiet

- As low as 44 dBA: Quietest dishwasher brand in the US¹
- InfoLight®

Flexibility

- Third rack
- RackMatic® adjustable system
- Adjustable tines

Design

- 300 Series Recessed Handle available in Stainless Steel, Black and White
- Both 18" and 24" ADA compliant
- Stainless Steel Tub

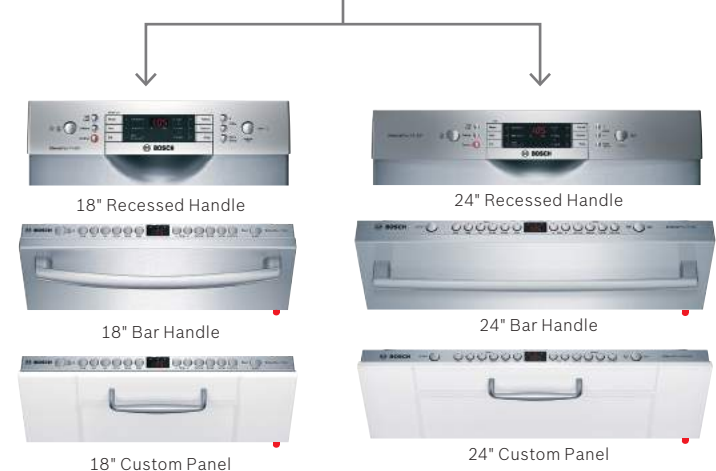
Performance

- Water softener
- Express cycle
- Half load option

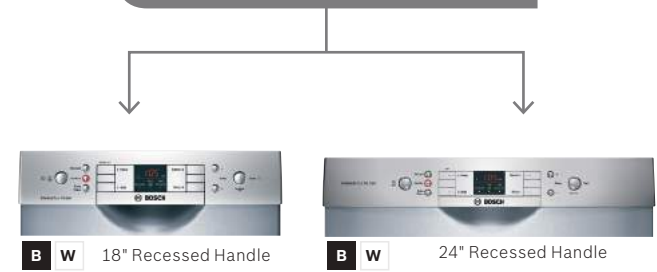
+ Represents Step-up
* SGX/V & SPX/V only

- B** Black
- W** White

Same features on both 18" and 24"



Same features on both 18" and 24"



800 Series ADA Compliant 18" and 24"

- + Express, Delicate, Half load option
- + Vase Holder, Small Item Clips
- + Third Rack
- + InfoLight® *
- Water Softener
- 24/7 AquaStop® Plus
- + 10 Place Settings (18"), 15 place settings (24")
- RackMatic® Adjustable System
- Electronic Controls
- + 6 Cycles / 5 Options

300 Series ADA Compliant 18" and 24"

- Water Softener
- 24/7 AquaStop® Plus
- 9 Place Settings (18"), 14 place settings (24")
- RackMatic® Adjustable System
- Electronic Controls
- 4 Cycles / 4 Options

Water Softener ≈ 259 kWh/yr **46 dBA** **Third Rack** ≈ 259 kWh/yr **44 dBA**

Same features as main line up 300 Series and 800 Series

¹ Based on an average of sound ratings of 24" Full Size Stainless Steel Tub dishwashers contained in major brands websites. Major brands defined as TraQline Top 5 Market Share March 2014.

Dishwasher accessories

Accessory Description	Accessory Model Numbers	Dishwasher Model Numbers
Stainless Steel Straight Bar Handle	SMZ1007UC	SHV models only
Stainless Steel Door with 2013 Stainless Steel Straight Bar Handle	SHZ1008UC	SHV models only
2012 and Prior Stainless Steel Curved Bar Handle	SGZ1007UC	SHV models only
Dishwasher Accessory Kit with Extra Tall Item Sprinkler, Vase/Bottle Holder, 3 Plastic Item Clips and Small Item Basket	SMZ5000	All 300/500/800/Benchmark™ models
Dishwasher Accessory Kit with Extra Tall Item Sprinkler, Vase/Bottle Holder, 3 Plastic Item Clips and Small Item Basket	SGZ1052UC	Ascenta® models only
Long Flexible Silverware Basket	SMZ4000UC	Ascenta®/300/500/800/Benchmark™
Anti-tarnish Silverware Cassette with Clips	SMZ5002UC	All models
Dishwasher Softener Salt (4.4 lbs)	SGZ9091UC	SG_53U, SP_53U, SG_68U, SP68_U, and Benchmark™ models only
Dishwasher 3-Prong Power Cord for Ascenta®	SGZPC001UC	Ascenta® only
Dishwasher 3-Prong Power Cord Kit (rear connection) Now 19 5/8" longer! New length 66 7/8".	SMZPC002UC	All 300/500/800/Benchmark™ models (excluding SH_9PT)
Dishwasher Supply and Drainage Hose Extension 76 3/4"	SGZ1010UC	All models
18" Dishwasher Accessory Hinge for 4" Toekick Height Installation	SMZ5003	SP_53U, SP_68U models only



Water Softener
Our water softener removes hard water spots caused by lime deposits and softens water to the appropriate level for superior washing results. (SGZ9091UC)



Anti-tarnish Silverware Cassette
This specially designed cassette provides the best wash results and protection for your fine silverware. (SMZ5002UC)



Dishwasher Accessory Kit
This all-in-one bundle includes the Extra Tall Item sprinkler, vase/bottle holder, three plastic item clips and a small-item basket. (SMZ5000)



SMZPC002UC (Power cord)
This power cord kit can be used when installation does not require hard wiring. Now 19 5/8" longer! New length 66 7/8".



Streamline for better sales

* Polypropylene
† Indicates multiple colors options

Old Lineup	2015	What's new
<p>Ascenta® Series</p> <p>SHE3AR5*UC - Scroll controls / Stainless Steel tub with PP * - 4 Cycles, 2 Options / 279 kWh/yr / 50 dBA - Racks with 14 place setting capacity, No height adjustment, 1 Flip tine, Long silverware basket - 24/7 Overflow protection</p> <p>SHX3AR5*UC - Scroll controls / Stainless Steel tub with PP * - 6 Cycles, 2 Options / 279 kWh/yr / 50 dBA - Racks with 14 place setting capacity, Manual upper rack height adjustment, 2 Flip tines, Long silverware basket - 24/7 Overflow protection</p> <p>SHX4AT55UC - Electronic controls / Stainless Steel tub with PP * - 4 Cycles, 4 Options / 279 kWh/yr / 49 dBA / InfoLight® - Racks with 14 place setting capacity, RackMatic®, 2 Flip tines, Long silverware basket - 24/7 Overflow protection</p>	<p>Ascenta® Series</p> <p>SHS5AV5*UC - Electronic controls / Stainless Steel tub with PP * - 6 Cycles, 2 Options / 269 kWh/yr / 46dBA / InfoLight® - Racks with 14 place setting capacity, RackMatic®, Knife Rack, Long Silverware basket - 24/7 Overflow protection</p> <p>SHX5AV5*UC - Electronic Controls / Stainless Steel tub with PP * - 5 Cycles, 4 Options / 269 kWh/yr / 46 dBA / InfoLight® - Racks with 14 place setting capacity, RackMatic®, Knife Rack, 3 Flip tines - 24/7 Overflow protection</p>	<ul style="list-style-type: none"> + 4 dBA quieter + InfoLight® + RackMatic® + More cycles/options + NEW Scoop design + Detergent tray + Knife Rack + Electronic Controls
		<ul style="list-style-type: none"> + 3 dBA quieter + Knife Rack + Detergent Tray + More Cycles/Options

Leading Consumer Publication Best Value Ascenta® models will carry over to 2015

<p>Ascenta® Series</p> <p>SHE3AR7*UC + SHX3AR7*UC - Scroll controls / Stainless Steel tub with PP * - 6 Cycles, 2 Options / 279 kWh/yr / 50 dBA - Racks with 14 place setting capacity, Manual upper rack height adjustment, 2 Flip tines, Long silverware basket - 24/7 Overflow protection</p>		
<p>18" and 24" ADA compliant</p> <p>SPE5ES55UC + SPX5ES55UC + SPV5ES53UC - Electronic Controls - 4 Cycles, 3 Options / 259 kWh/yr / 46dBA / Water Softener - 9 place settings, RackMatic® Adjustable System - 24/7 AquaStop® Plus</p> <p>SPE53U5*UC + SGE53U5*UC - Electronic Controls - 4 Cycles, 4 Options / 259 kWh/yr / 46 dBA / Water Softener - 9 Place Settings (18"), 14 place settings (24"), RackMatic® Adjustable System, 2 Flip tines, Long silverware basket - 24/7 AquaStop® Plus</p>	<p>300 Series 18" & 24" ADA compliant</p> <p>800 Series 18" & 24" ADA compliant</p>	<ul style="list-style-type: none"> + 46 dBA + RackMatic® + White color + 24/7 AquaStop® Plus
<p>800 Series</p> <p>SGE63E15UC + SGE63E06UC + SGV63E03UC - Electronic Controls - 6 Cycles, 5 Options / 234 kWh/yr / 49 dBA / Water Softener - 14 place settings, Manual Rack Adjustment - 24/7 AquaStop® Plus</p>		<ul style="list-style-type: none"> + 5 dBA quieter + Third Rack + RackMatic® + InfoLight®
	<p>800 Series</p> <p>SHXN8U55UC - Electronic Controls - 6 cycles, 5 options / 269 kWh/yr / 40 dBA / InfoLight® - 16 place settings, RackMatic® Adjustable System, 8 flip tines, Flexible Third Rack - 24/7 AquaStop®</p>	
<p>800 Series</p> <p>SH_7PT_ UC</p>	<p>Benchmark™ Series</p> <p>SH_7PT_ UC These models will become part of our Benchmark™ Series. All features remain the same.</p>	

New for 2015

Streamline for better sales DLX Models

Old Lineup	2015	What's new
<p>Ascenta® Series DLX</p> <p>SHE3ARL*UC - Scroll controls / Stainless Steel tub with PP * - 5 Cycles, 2 Options / 279 kWh/yr / 50dBA - Racks with 14 place setting capacity, Long Silverware basket - 24/7 Overflow protection - DLX additional: Express cycle</p> <p>SHX4AT75UC - Electronic Controls / Stainless Steel tub with PP * - 4 Cycles, 5 Options / 279 kWh/yr / 49 dBA / InfoLight® - Racks with 14 place setting capacity, RackMatic®, 2 Flip tines - 24/7 Overflow protection - DLX additional: Half Load & Sanitize options, Duo-Flex silverware basket.</p>	<p>Ascenta® Series DLX</p> <p>SHS5AVL*UC - Electronic controls / Stainless Steel tub with PP * - 5 Cycles, 5 Options / 269 kWh/yr / 46dBA / InfoLight® - Racks with 14 place setting capacity, RackMatic®, Knife Rack, Long Silverware basket - 24/7 Overflow protection - DLX additional: ExtraScrub option</p> <p>SHX5AVL5UC - Electronic Controls / Stainless Steel tub with PP * - 5 Cycles, 5 Options / 269 kWh/yr / 46 dBA / InfoLight® - Racks with 14 place setting capacity, RackMatic®, 3 Flip tines - 24/7 Overflow protection - DLX additional: ExtraScrub option</p>	<ul style="list-style-type: none"> + InfoLight® + 4 dBA quieter + RackMatic® + Detergent Tray + Knife Rack + Cycles/Options + DLX Bonus Features + Electronic Controls
		<ul style="list-style-type: none"> + 3 dBA quieter + Detergent Tray + Knife Rack + cycles/options + DLX Bonus Features
		<ul style="list-style-type: none"> + 2 dBA quieter + RackMatic® + Knife Rack + Detergent Tray + Electronic Controls
		<ul style="list-style-type: none"> + NEW model + 44 dBA quieter + RackMatic® + InfoLight® + Cycles/Options + New Scoop Design

Drop in Sku for 2015

New for 2015



Dishwasher technical details

500 Series | 300 Series

*Available Q2 2015

	Main	Main	DLX	Main	DLX	Main		DLX	Main	DLX	Main	DLX	DLX
Model	500 Series	500 Series	500 Series	500 Series	300 Series *	300 Series		300 Series	300 Series	300 Series	300 Series	DLX	DLX
Stainless Steel		SHP65T55UC	SHP65TL5UC	SHX65T55UC	SHS63VL5UC	SHE53T55UC		SHE53TL5UC	SHP53T55UC	SHP53TL5UC	SHX53T55UC		SHE33T55UC
White	SHE65T52UC	SHP65T52UC	SHP65TL2UC		SHS63VL2UC	SHE53T52UC		SHE53TL2UC					SHE33T52UC
Black	SHE65T56UC	SHP65T56UC	SHP65TL6UC		SHS63VL6UC	SHE53T56UC		SHE53TL6UC					SHE33T56UC
Custom panel											SHV53T53UC	SHV53TL3UC	
Silence													
dBA	44	44	44	44	44	46		46	46	46	46	46	48
InfoLight®		■	■	■	■			■	■	■	■	■	
TimeLight™													
Design													
Type	Recessed Handle	Pocket Handle	Pocket Handle	Bar Handle	Scoop Handle	Recessed Handle		Recessed Handle	Pocket Handle	Pocket Handle	Bar Handle / Custom Panel	Bar Handle / Custom Panel	Recessed Handle
Deeper Stainless Steel Tub	■	■	■	■	■	■		■	■	■	■	■	■
Stainless Steel EuroTub													
Control	Buttons	Buttons	Buttons	Buttons	Buttons	Buttons		Buttons	Buttons	Buttons	Buttons	Buttons	Buttons
Display Type	LED	LED	LED	LED	LED	LED		LED	LED	LED	LED	LED	LED
Interior Light													
Wash Cycles	5	5	5	5	4	4		4	4	4	4	4	4
Heavy	■	■	■	■	■	■		■	■	■	■	■	■
Auto	■	■	■	■	■	■		■	■	■	■	■	■
Normal	■	■	■	■	■	■		■	■	■	■	■	■
Delicate													
Express	■	■	■	■									
Clean30													
Half Load													
Rinse / Rinse & Hold	■	■	■	■	■	■		■	■	■	■	■	■
Glass													
Speed60 (1hr Wash)													
Options	5	5	5	5	5	4		5	4	5	4	5	2
Delay Start	24 H	24 H	24 H	24 H	24 H	24 H		24 H	24 H	24 H	24 H	24 H	24 H
Half Load	■	■	■	■	■	■		■	■	■	■	■	■
Delicate	■	■	■	■	■	■		■	■	■	■	■	■
Sanitize	■	■	■	■	■	■		■	■	■	■	■	■
Extra Shine	■	■	■	■	■	■		■	■	■	■	■	■
Extra Dry					■								
SpeedPerfect			■					■		■		■	
ExtraScrub					■								
Efficiency													
Energy – kWh / year	259	259	259	259	259	259		259	259	259	259	259	279
ENERGY STAR® Qualified	■	■	■	■	■	■		■	■	■	■	■	■
Water – gallons/load	2.9	2.9	2.9	2.9	2.9	2.9		2.9	2.9	2.9	2.9	2.9	2.9
Safety													
Leak Protection	24/7 AquaStop	24/7 AquaStop	24/7 AquaStop	24/7 AquaStop	24/7 AquaStop	24/7 AquaStop		24/7 AquaStop	24/7 AquaStop	24/7 AquaStop	24/7 AquaStop	24/7 AquaStop	24/7 AquaStop
PerfectDoor	■	■	■	■	■	■		■	■	■	■	■	■
Self-latching Door	■	■	■	■	■	■		■	■	■	■	■	■
ChildLock	■	■	■	■	■	■		■	■	■	■	■	■
Place Setting Capacity	16	16	16	16	15	15		15	15	15	15	15	15
3rd Loading Level	Standard	Standard	Standard	Standard									
3rd Rack Handle	Standard	Standard	Standard	Standard									
Upper Rack													
Adjustability	3-Step RackMatic®	3-Step RackMatic®	3-Step RackMatic®	3-Step RackMatic®	3-Step RackMatic®	Manual		3-Step RackMatic®	Manual	3-Step RackMatic®	Manual	3-Step RackMatic®	
Detergent Tray	■	■	■	■	■	■		■	■	■	■	■	■
Handle	Detergent Tray with s/s	Detergent Tray with s/s	Detergent Tray with s/s	Detergent Tray with s/s	Detergent Tray	Detergent Tray		Detergent Tray	Detergent Tray	Detergent Tray	Detergent Tray	Detergent Tray	Detergent Tray
Ball Ends													
Flip Tines	2	2	2	2	2	2		2	2	2	2	2	1
Cup Shelves	2	2	2	2	2	2		2	2	2	2	2	2
Knife Rack													■
Lower Rack													
Handle	Handle Wire	Handle Wire	Handle Wire	Handle Wire	Handle Wire	Handle Wire		Handle Wire	Handle Wire	Handle Wire	Handle Wire	Handle Wire	Handle Wire
Ball Ends													
Flip Tines													
Alternating Tines													
Silverware Basket	Long	Long	Duo-Flex	Long	Long	Long		Long	Long	Long	Long	Duo-Flex	Long
Silverware Basket Cover	■	■	■	■	■	■		■	■	■	■	■	■
Display													
Remaining Time	■	■	■	■	■	■		■	■	■	■	■	■
Sanitized Indicator Light	■	■	■	■	■	■		■	■	■	■	■	■
Rinse Aid Indicator Light	■	■	■	■	■	■		■	■	■	■	■	■
End of Cycle Indicator	■	■	■	■	■	■		■	■	■	■	■	■
Features													
EcoSilence™ Two-Pump Motor System	■	■	■	■	■	■		■	■	■	■	■	■
Triple Filtration System	■	■	■	■	■	■		■	■	■	■	■	■
Flow Through Water Heater	■	■	■	■	■	■		■	■	■	■	■	■
Five Level Wash	■	■	■	■	■	■		■	■	■	■	■	■
Condensation Drying	■	■	■	■	■	■		■	■	■	■	■	■
Other													
Detergent and Rinse-Aid Dispenser	■	■	■	■	■	■		■	■	■	■	■	■
End of Cycle Sound	■	■	■	■	■	■		■	■	■	■	■	■
Power Cord with Junction Box included	■	■	■	■	■	■		■	■	■	■	■	■
Water Hose Included	■	■	■	■	■	■		■	■	■	■	■	■

Dishwasher technical details

Ascenta® Series

	*Available May 2015 Ascenta®	*Available May 2015 Ascenta® DLX	*Available May 2015 Ascenta®	*Available May 2015 Ascenta® DLX	Ascenta®	Ascenta®
Model	Ascenta® Series *	Ascenta® Series *	Ascenta® Series *	Ascenta® Series *	Ascenta® Series	Ascenta® Series
Stainless Steel	SHX5AV55UC	SHX5AVL5UC	SHS5AV55UC	SHS5AVL5UC	SHE3AR75UC	SHX3AR75UC
White	SHX5AV52UC		SHS5AV52UC	SHS5AVL2UC	SHE3AR72UC	SHX3AR72UC
Black	SHX5AV56UC		SHS5AV56UC	SHS5AVL6UC	SHE3AR76UC	SHX3AR76UC
Custom panel						
Silence						
dBA	46	46	46	46	50	50
InfoLight®	■	■	■	■		
TimeLight™						
Design						
Type	Bar Handle	Bar Handle	Scoop Handle	Scoop Handle	Recessed Handle	Bar Handle
Deeper Stainless Steel Tub	■	■	■	■	■	■
Stainless Steel TallTub with Polypropylene						
Control	Buttons	Buttons	Buttons	Buttons	Buttons	Buttons
Display Type	LED	LED	LED	LED	LED	
Wash Cycles	5	5	6	5	6	6
Heavy	■	■	■	■	■	■
Auto	■	■	■	■	■	■
Normal	■	■	■	■	■	■
Delicate					■	■
Express					■	■
Clean30						
Half Load	■	■	■	■	■	■
Rinse / Rinse & Hold	■	■	■	■		
Speed60 (1hr Wash)						
Options	4	5	2	5	2	2
Delay Start	24 H	24 H	3/6/9 h	24 H	3/6/9 h	3/6/9 h
Half Load	■	■		■		
Delicate						
Sanitize	■	■		■	■	■
Extra Shine						
Extra Dry	■	■	■	■		
SpeedPerfect						
ExtraScrub		■		■		
Efficiency						
Energy – kWh / year	269	269	269	269	279	279
ENERGY STAR® Qualified	■	■	■	■	■	■
Water – gallons/load	3.2	3.2	3.2	3.2	2.95	2.95
Safety						
Leak Protection	24/7 Overflow	24/7 Overflow	24/7 Overflow	24/7 Overflow	24/7 Overflow	24/7 Overflow
PerfectDoor	■	■	■	■	■	■
Self-latching Door	■	■	■	■	■	■
ChildLock						
Place Setting Capacity	14	14	14	14	14	14
Upper Rack						
Adjustability	2-Step RackMatic®	2-Step RackMatic®	2-Step RackMatic®	2-Step RackMatic®	Manual	Manual
Detergent Tray	■	■	■	■		
Handle	Detergent Tray	Detergent Tray	Detergent Tray	Detergent Tray	Bosch plastic	Bosch plastic
Flip Tines	2	2	2	2	1	1
Cup Shelves	2	2	2	2	2	2
Knife Rack	■	■	■	■		
Lower Rack						
Handle	Handle Wire	Handle Wire	Handle Wire	Handle Wire	Handle Wire	Handle Wire
Flip Tines	1	1	1	1	1	1
Silverware Basket	Long	Long	Long	Long	Long	Long
Silverware Basket Cover	■	■	■	■	■	■
Display						
Remaining Time	■	■	■	■	■	■
Sanitized Indicator Light	■	■	■	■	■	■
Rinse Aid Indicator Light	■	■	■	■	■	■
End of Cycle Indicator	■	■	■	■	■	■
Features						
EcoSilence™ Two-Pump Motor System	■	■	■	■	■	■
Triple Filtration System	■	■	■	■	■	■
Flow Through Water Heater	■	■	■	■	■	■
Five Level Wash	■	■	■	■	■	■
Condensation Drying	■	■	■	■	■	■
Other						
Extra Tall Item Sprinkler						
Detergent and Rinse-Aid Dispenser	■	■	■	■	■	■
End of Cycle Sound	■	■	■	■		



Dishwasher technical details

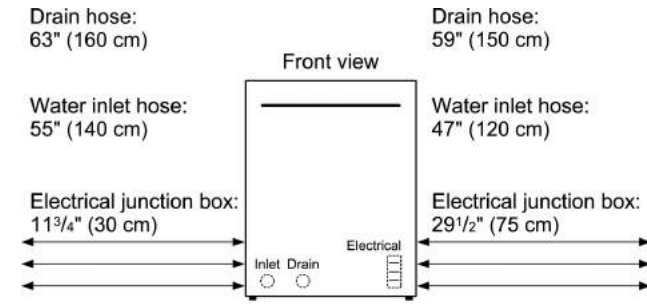
ADA Special Application

	*Available May 2015	*Available May 2015	*Available May 2015	*Available May 2015	*Available May 2015	*Available May 2015
	ADA Special Application	ADA Special Application	ADA Special Application	ADA Special Application	ADA Special Application	ADA Special Application
Model	18" ADA 800 Series *	18" ADA 800 Series *	18" ADA 300 Series *	24" ADA 800 Series *	24" ADA 800 Series *	24" ADA 300 Series *
Stainless Steel	SPE68U55UC	SPX68U55UC	SPE53U55UC	SGE68U55UC	SGX68U55UC	SGE53U55UC
White			SPE53U52UC			SGE53U52UC
Black			SPE53U56UC			SGE53U56UC
Custom panel		SPV68U53UC			SGV68U53UC	
Silence						
dBA	44	44	46	44	44	46
InfoLight®		■			■	
TimeLight™						
Design						
Type	Recessed Handle	Bar Handle / Custom Panel	Recessed Handle	Recessed Handle	Bar Handle / Custom Panel	Recessed Handle
Deeper Stainless Steel Tub						
Stainless Steel TallTub with Polypropylene						
Stainless Steel EuroTub	■	■	■	■	■	■
Control	Buttons	Buttons	Buttons	Buttons	Buttons	Buttons
Display Type	LED	LED	LED	LED	LED	LED
Interior Light						
Wash Cycles	6	6	4	6	6	4
Heavy	■	■	■	■	■	■
Auto	■	■	■	■	■	■
Normal	■	■	■	■	■	■
Delicate	■	■	■	■	■	■
Express	■	■	■	■	■	■
Clean30						
Half Load						
Rinse / Rinse & Hold	■	■	■	■	■	■
Glass						
Options	5	5	4	5	5	4
Delay Start	24 H	24 H	24 H	24 H	24 H	24 H
Half Load	■	■	■	■	■	■
Delicate	■	■	■	■	■	■
Sanitize	■	■	■	■	■	■
Extra Shine	■	■	■	■	■	■
Extra Dry	■	■	■	■	■	■
Eco						
Extra Wash						
Efficiency						
Energy – kWh / year	259	259	259	259	259	259
ENERGY STAR® Qualified	■	■	■	■	■	■
Water – gallons/load	3.00	3.00	3.00	3.00	3.00	3.00
Safety						
Leak Protection	24/7 AquaStop Plus	24/7 AquaStop Plus	24/7 AquaStop Plus	24/7 AquaStop Plus	24/7 AquaStop Plus	24/7 AquaStop Plus
PerfectDoor	■	■	■	■	■	■
Self-latching Door	■	■	■	■	■	■
ChildLock	■	■	■	■	■	■
Place Setting Capacity	10	10	9	15	15	14
3rd Loading Level						
Flip tines	Standard	Standard		Standard	Standard	
3rd Rack Handle	Standard	Standard		Standard	Standard	
Upper Rack						
Adjustability	3-Step RackMatic®	3-Step RackMatic®	3-Step RackMatic®	3-Step RackMatic®	3-Step RackMatic®	3-Step RackMatic®
Detergent Tray	■	■	■	■	■	■
Handle	Detergent Tray with s/s	Detergent Tray with s/s	Detergent Tray	Detergent Tray with s/s	Detergent Tray with s/s	Detergent Tray
Flip Tines	2	2	0	2	2	0
Cup Shelves	2	2	2	2	2	2
Knife Rack						
Lower Rack						
Handle	Bosch Plastic	Bosch Plastic	Handle Wire	Bosch Plastic	Bosch Plastic	Handle Wire
Flip Tines	2	2	2	2	2	2
Silverware Basket	Flexible	Flexible	Flexible	Flexible	Flexible	Flexible
Silverware Basket Cover	■	■	■	■	■	■
Vase/Baby Bottle Holder	■	■	■	■	■	■
Display						
Remaining Time	■	■	■	■	■	■
Sanitized Indicator Light	■	■	■	■	■	■
Rinse Aid Indicator Light	■	■	■	■	■	■
End of Cycle Indicator	■	■	■	■	■	■
Features						
Water Softener	■	■	■	■	■	■
EcoSilence™ Two-Pump Motor System	■	■	■	■	■	■
Triple Filtration System	■	■	■	■	■	■
Flow Through Water Heater	■	■	■	■	■	■
Five Level Wash	■	■	■	■	■	■
Condensation Drying	■	■	■	■	■	■
Other						
Extra Tall Item Sprinkler						
Detergent and Rinse-Aid Dispenser	■	■	■	■	■	■
End of Cycle Sound	■	■	■	■	■	■
Power Cord with Junction Box included	■	■	■	■	■	■
Water Hose Included	■	■	■	■	■	■



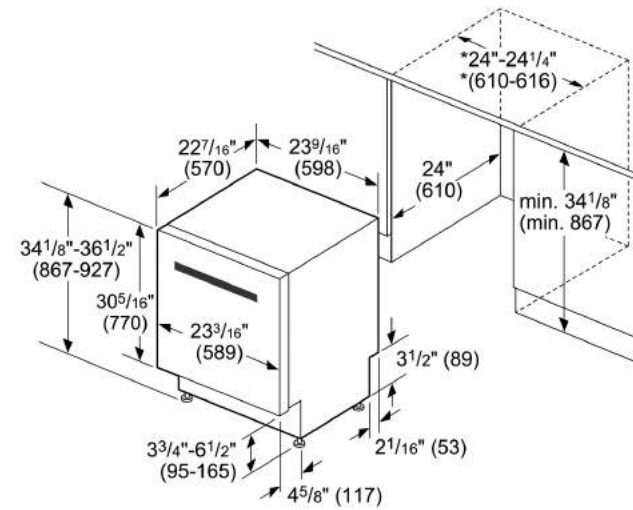
Dishwasher dimensions and installation

SHE9PT55UC, SHX9PT55UC, SHX9PT75UC



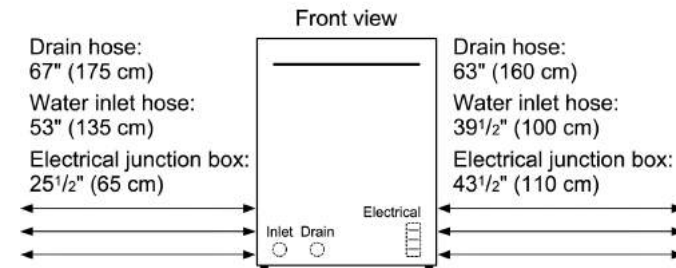
All connections are at the rear of the appliance. Extension for drain hose available as accessory. Power cord for connection to electrical outlet (3-prong plug) available as accessory.

measurements in inches (mm)



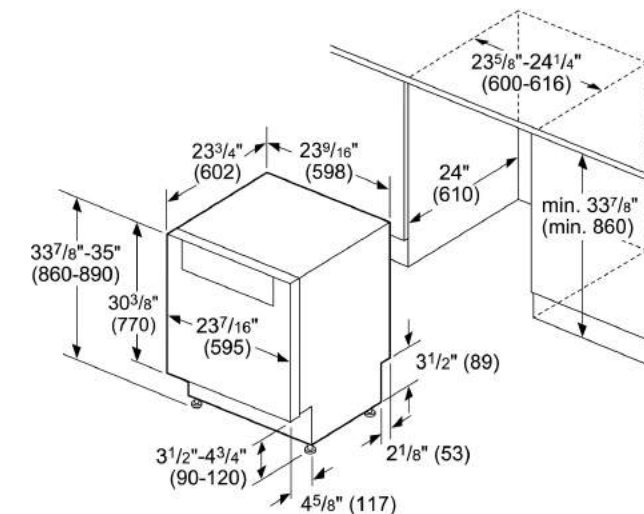
*23 5/8" (600) without decor strips
measurements in inches (mm)

Recessed, Bar, and Pocket Handle Dishwashers (300, 500, 800, Benchmark™)



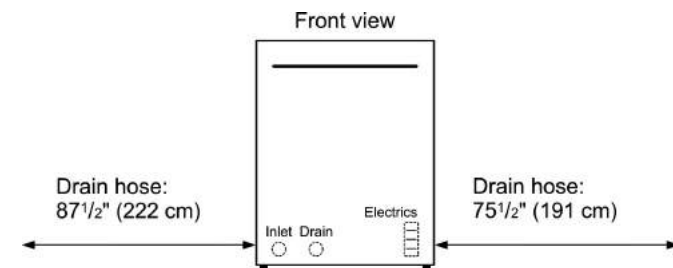
All connections are at the rear of the appliance. Extension for drain hose available as accessory. Power cord for connection to electrical outlet (3-prong plug) available as accessory.

measurements in inches (mm)



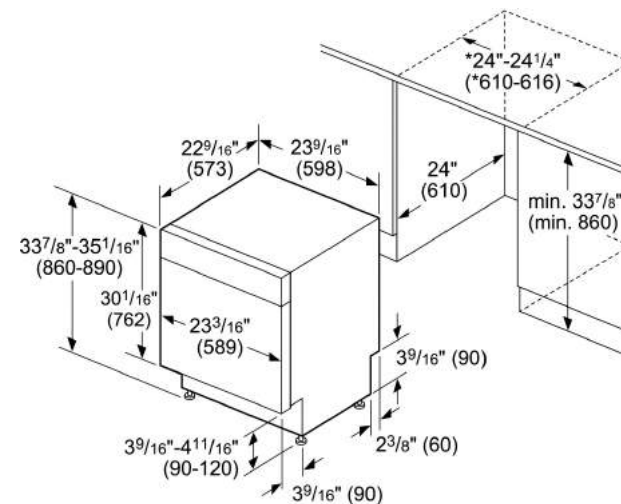
measurements in inches (mm)

Ascenta® Recessed, Bar and Scoop Handle



The electrical junction box and water inlet are at the front of the appliance, the drain at the rear.

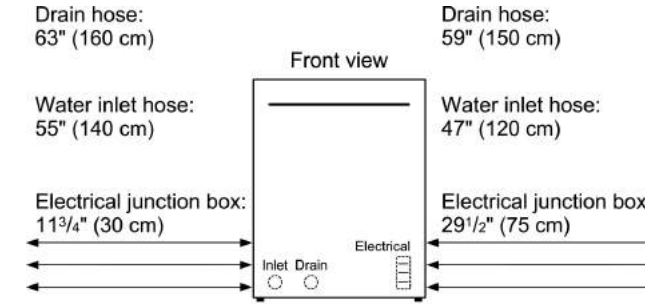
measurements in inches (mm)



*23 5/8" (600) without decor strips
measurements in inches (mm)

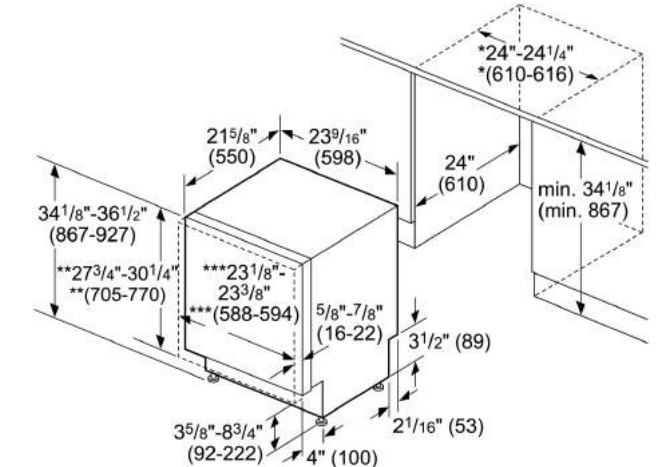
Custom Panel Dishwashers

SHV9PT53UC



All connections are at the rear of the appliance. Extension for drain hose available as accessory. Power cord for connection to electrical outlet (3-prong plug) available as accessory.

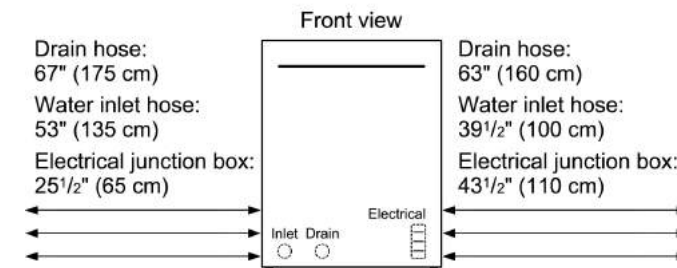
measurements in inches (mm)



* 23 5/8" (600 mm) without decor strips
** measured from the bottom edge of the countertop panel thickness recommended 3/4" (20 mm), this dishwasher can accept custom door panel weights ranging from 7 to 24 lbs; however, the dishwasher comes from the factory ready for custom panel door weights from 11 to 18 lbs. please contact customer service at (800) 944-2904.

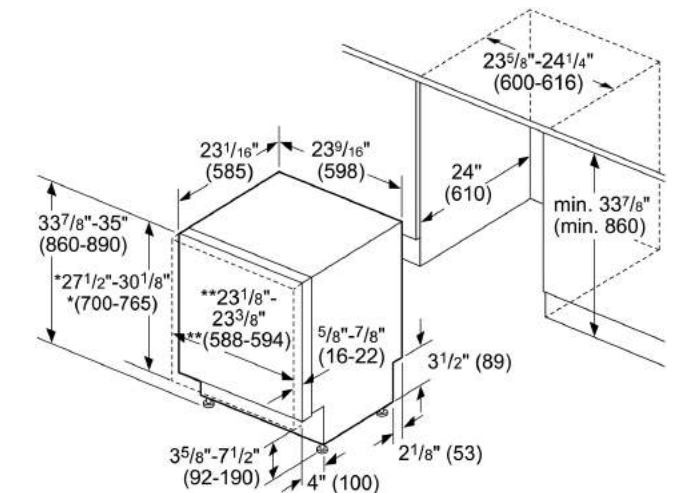
*** 24" (610 mm) wide panel may be used depending on cabinet design
measurements in inches (mm)

SHV7PT53UC, SHV68T**UC, SHV53T**UC



All connections are at the rear of the appliance. Extension for drain hose available as accessory. Power cord for connection to electrical outlet (3-prong plug) available as accessory.

measurements in inches (mm)



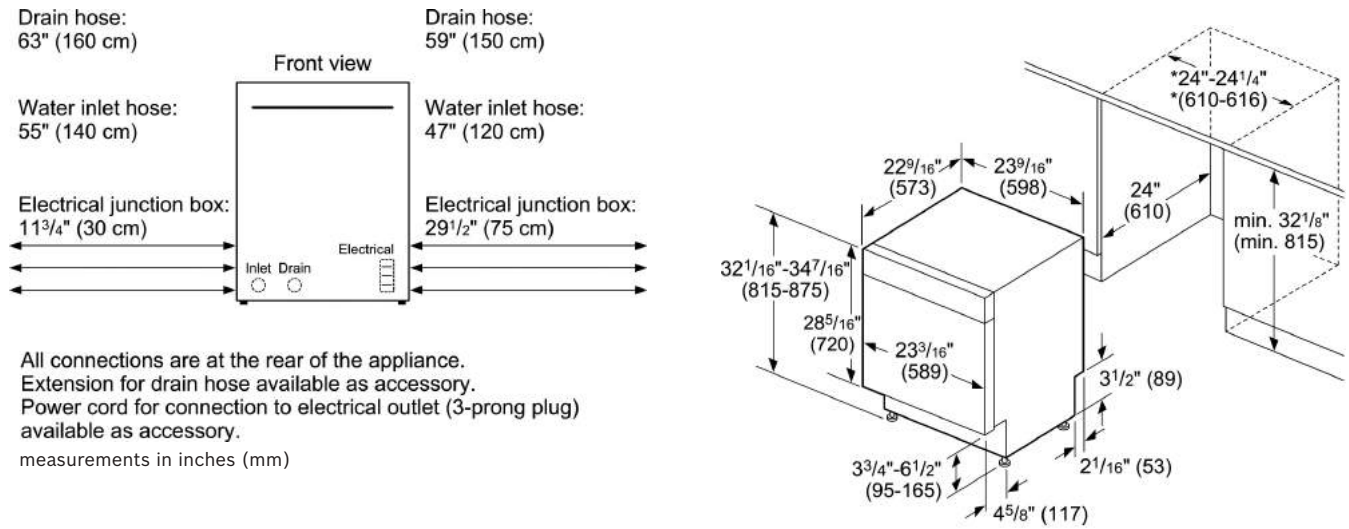
* measured from the bottom edge of the countertop panel thickness recommended 3/4" (20 mm), this dishwasher can accept custom door panel weights ranging from 7 to 24 lbs; however, the dishwasher comes from the factory ready for custom panel door weights from 11 to 18 lbs. please contact customer service at (800) 944-2904.

** 24" (610 mm) wide panel may be used depending on cabinet design
measurements in inches (mm)

Dishwasher dimensions and installation

Special Application / ADA Dishwashers

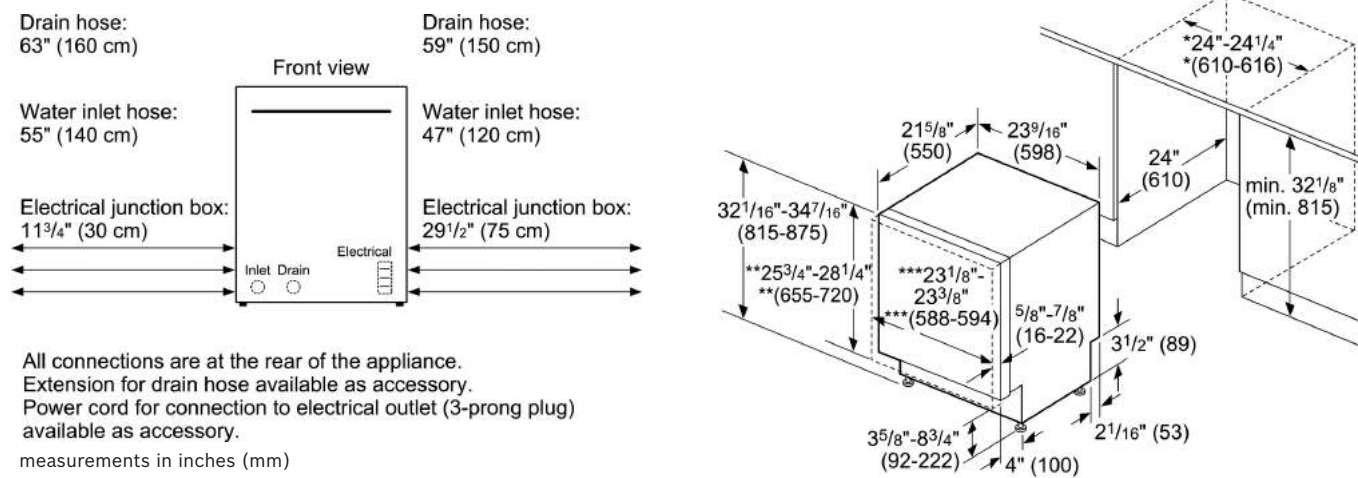
SGE53U55UC, SGE53U52UC, SGE53U56UC, SGE68U55UC, SGX68U55UC



All connections are at the rear of the appliance.
 Extension for drain hose available as accessory.
 Power cord for connection to electrical outlet (3-prong plug) available as accessory.
 measurements in inches (mm)

* 23 5/8" (600) without decor strips
 measurements in inches (mm)

SGV68U53UC

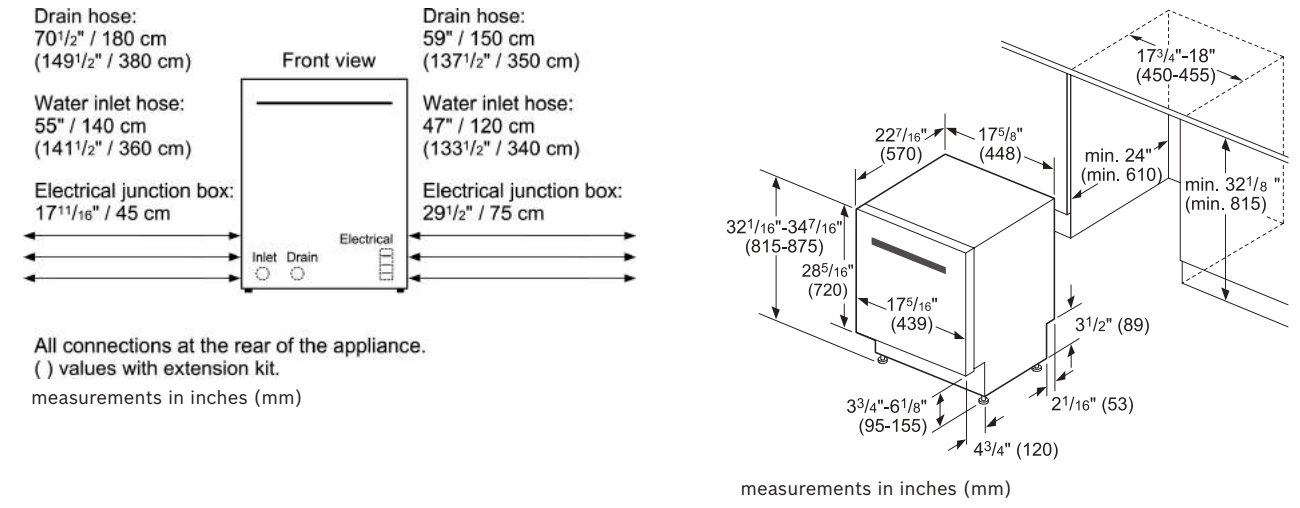


All connections are at the rear of the appliance.
 Extension for drain hose available as accessory.
 Power cord for connection to electrical outlet (3-prong plug) available as accessory.
 measurements in inches (mm)

* 23 5/8" (600 mm) without decor strips
 ** measured from the bottom edge of the countertop panel thickness recommended 3/4" (20 mm), this dishwasher can accept custom door panel weights ranging from 7 to 24 lbs; however, the dishwasher comes from the factory ready for custom panel door weights from 11 to 18 lbs. If you plan on using a door panel that is not 11 to 18 lbs. please contact customer service at (800) 944-2904.
 *** 24" (610 mm) wide panel may be used depending on cabinet design
 measurements in inches (mm)

Special Application / 18" Dishwashers

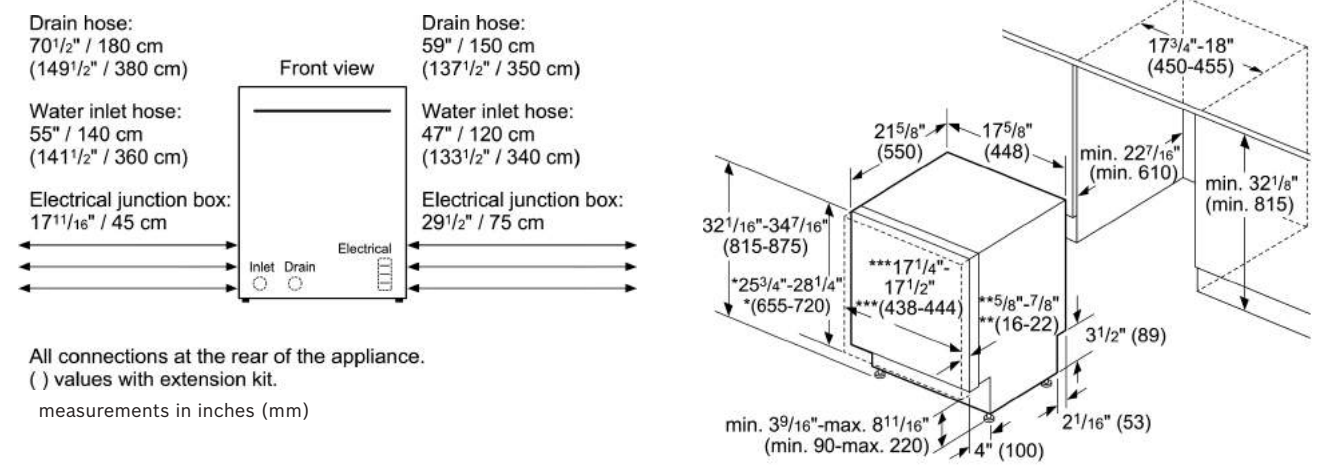
SPE53U55UC, SPE53U52UC, SPE53U56UC, SPE68U55UC, SPX68U55UC



All connections at the rear of the appliance.
 () values with extension kit.
 measurements in inches (mm)

measurements in inches (mm)

SPV68U53UC



All connections at the rear of the appliance.
 () values with extension kit.
 measurements in inches (mm)

* measured from the bottom edge of the countertop panel
 ** panel weight 6-16 lb (2.5-7.5 kg)
 *** 18" (450 mm) wide panel may be used depending on cabinet design
 measurements in inches (mm)

2015 model number structure

Tub type	Design	Quiet	Series	Year	Variant	Color	Country
H 24" Tall Tub	E Recessed Handle	9 37-39 dBA	3 300	V 2015	5 First Version	2 White	UC U.S. / Canada
P 18" Euro Tub	X Bar Handle	8 40-41 dBA	5 500	U 2014	3/7 Second Version	3 Custom Panel	
G 24" Euro Tub	P Pocket Handle	7 42-43 dBA	8 800	T 2013	L DLX (Limited Distribution)	5 Stainless Steel	
	V Custom Panel Ready (Fully Integrated)	6 44-45 dBA	P Benchmark™	S 2012	F Lowe's Version	6 Black	
	S Scoop Handle	5 46-47 dBA	A Ascenta	R 2011			
		4 48-49 dBA		P 2009			
		3 50-51 dBA		M 2007			
		2 52-53 dBA					

Red color denotes changes to nomenclature in 2014/15.



BOSCH
Invented for life

Bosch Home Appliances

1901 Main Street, Suite 600

Irvine, CA 92614

1.800.944.2904

www.bosch-home.com/us (U.S.)

www.bosch-home.ca (Canada)

©2014 BSH Home Appliances Corporation. ©2014 BSH Home Appliances Ltd.
All rights reserved. Bosch is a registered trademark of Robert Bosch GmbH.
All information presented herein is based on data available at the time of printing
and is subject to change without notice.

BSH#14-BOS-0418. 11/14 DG