

24" Bar Handle Dishwasher

500 Series- White

SHX65P02UC



Features and Benefits

Key Features

- 47 dBA- Quietest in its class
- Red Remaining Time Display
- 19 h Delay Start Timer
- 500 Series Racks
- InfoLight® Beams on the Floor to Indicate Dishwasher is Running

Design

- Stainless Steel TallTub
- Real Stainless Steel Facia Panel
- Red Remaining Time Display

Performance

- 47 dBA- Quietest in its class
- InfoLight® Beams on the Floor to Indicate Dishwasher is Running
- 6 Wash Cycles and 3 Options
- Sanitize Option eliminates bacteria and enhances drying results
- Variable Spray Pressure

Efficiency

- Saves up to 280 gallons of water each year
- 259 kwh/yr - Energy Star®
- Exceeds ENERGY STAR Requirements for Water by 69%
- EcoSense™ Reduces Energy Usage by up to 20%
- Half Load Option for small loads

Convenience

- AquaStop® Leak Protection
- Multi-Function LED with Remaining Time
- 19 h Delay Start Timer



Notes: All height, width and depth dimensions are shown in inches. *Please refer to installation instructions prior to making cutout. BSH reserves the absolute and unrestricted right to change product materials and specifications, at any time, without notice. Consult the product's installation instructions for final dimensional data and other details. Applicable product warranty can be found in a accompanying product literature or you may contact your account manager for further details.

For more information on our entire line of products, go to boschappliances.com or call 1-800-944-2904.
Copyright ©2017 BSH Home Appliances Corporation. All rights reserved. Bosch is a registered trademark of Robert Bosch GmbH.

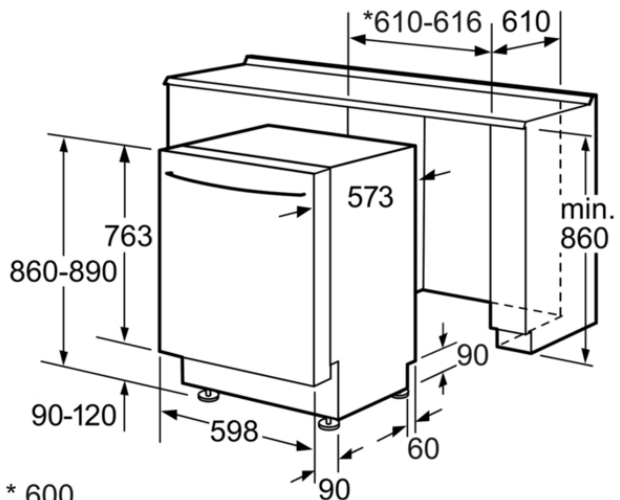
Litho Date: 10/2017



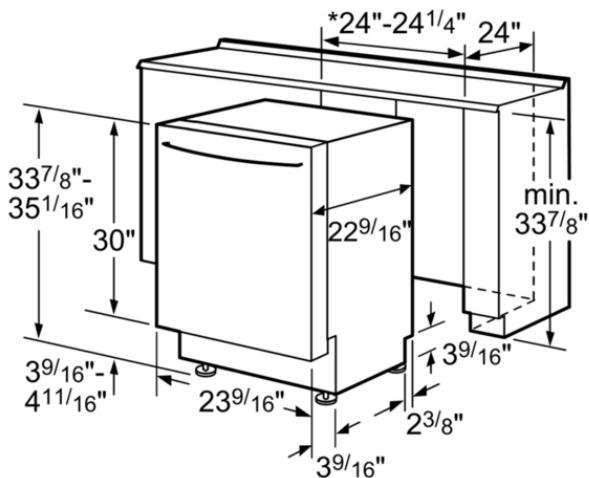
24" Bar Handle Dishwasher

500 Series- White

SHX65P02UC



* 600
without decor strips Measurements in mm



* 23⁵/₈" without decor strips
measurements in inches

Features

Watts (W)	1400
Current (A)	12
Volts (V)	120
Frequency (Hz)	60
Power Cord Length	
Minimum Water Pressure (lb/sin)	15.0
Length inlet hose (in)	
Length outlet hose (in)	90 1/2
Overall appliance dimensions (HxWxD) (in)	33 7/8 " x 23 9/16 " x 23 9/16 "
Required cutout size (HxWxD) (in)	x 33 15/16" - 35" x 23 9/16 "
Adjustable feet	Yes

Technical Specification

Number of wash cycles	3
Number of options	6
Third Rack	None
Tube material	Stainless steel
Concealed heating element	Yes
Leak protection system	Aqua Stop
Five-level wash	Yes
Water softener	No
ChildLock	No
Total annual energy consumption (kWh)	259
Energy Efficiency Class	
Energy Star® qualified	Yes
Total annual energy consumption (kWh)	
Total annual water consumption (g)	
Number of place settings	14

Notes: All height, width and depth dimensions are shown in inches. *Please refer to installation instructions prior to making cutout. BSH reserves the absolute and unrestricted right to change product materials and specifications, at any time, without notice. Consult the product's installation instructions for final dimensional data and other details. Applicable product warranty can be found in a accompanying product literature or you may contact your account manager for further details.

For more information on our entire line of products, go to boschappliances.com or call 1-800-944-2904.
Copyright ©2017 BSH Home Appliances Corporation. All rights reserved. Bosch is a registered trademark of Robert Bosch GmbH.

Litho Date: 10/2017

