

Dishwashers

24" Bar Handle Dishwasher 800 Plus Series- Stainless steel SHX7PT55UC



Expandable wings on our flexible 3rd rack provide extra height to fit ramekins, measuring cups and extra-large utensils.

- **42 dBA:** Quietest Dishwasher Brand in the U.S.
- A flexible 3rd rack with folding tines adds 30% more loading capacity.
- TimeLight™ beams the remaining cycle time on the floor.
- Water softener ensures optimally spot-free and shiny dishes.
- RackMatic® offers 3 height levels, for 9 possible rack positions.

Technical Data

Adjustable upper rack :	Rackmatic 3-stage
Upper rack cup shelf :	2
3rd Rack :	3rd Rack 2.0
Silverware Basket :	Standard
Accessories Parts :	3 small
item clips, baking-sheet spray head grey, bottle holder metal	
Optional accessories :	SGZ1010UC,
	SGZ9091UC, SMZ5000, SMZ5002UC, SMZPC002UC
UPC code :	825225904243
Variant color :	Stainless steel
Panel ready :	No
Silence level (dBA) :	42
Watts (W) :	1300
Current (A) :	12
Volts (V) :	120
Frequency (Hz) :	60
Energy Consumption (kWh/yr) :	259
Energy Star® qualified :	Yes
Plug type :	fixed connection
Required cutout size (HxWxD) (in) :	33 7/8 " x 23 5/8 " x 24 "
Required cutout size (HxWxD) (mm) :	860-890 x 600 x 610
Overall appliance dimensions (HxWxD) (in) :	33 7/8 " x 23 9/16 " x 23 3/4 "
Power cord length (in) :	43 1/2"
Power cord length (cm) :	110
Length outlet hose (in) :	67 "
Length outlet hose (cm) :	175.0
Length inlet hose (in) :	53"
Length inlet hose (cm) :	135
Product packaging dimensions (HxWxD) (in) :	35 3/4" x 26" x 29 5/16"
Tub material :	Stainless steel
Tub type :	TallTub
ADA Compliant :	No
Number of place settings :	15

Optional accessories

- SGZ1010UC : Drain hose extension kit
- SGZ9091UC : finish salt for dishwashers
- SMZ5000 : Dishwashing aid set
- SMZ5002UC : Silverware box
- SMZPC002UC : Powercord with cold plug

Dishwashers

24" Bar Handle Dishwasher 800 Plus Series- Stainless steel SHX7PT55UC

Expandable wings on our flexible 3rd rack provide extra height to fit ramekins, measuring cups and extra-large utensils.

Key Features

- 42 dBA- Quietest Dishwasher Brand.
- Flexible 3rd Rack with Adjustable Separators Provides Additional Loading Capacity
- Touch Control Technology
- TimeLight™ Beams Remaining Time of the Cycle on Floor
- Water Softener Ensures Perfect Shine

Design

- Full Size Stainless Steel Tall Tub Installs Perfectly Flush
- Flexible 3rd Rack with Adjustable Separators Provides Additional Loading Capacity
- 16 Place Setting Capacity
- LED Remaining Time Display
- Touch Control Technology
- RackMatic® on Upper Rack - 3 Height Adjustments and Up to 9 Possible Rack Positions
- Flexible Silverware Basket Can be Split into Two Pieces and Placed Anywhere for Added Flexibility
- Extra Tall Item Sprinkler Cleans Items 22" Tall

Performance

- 42 dBA- Quietest Dishwasher Brand.
- 6 Programs and 5 Options
- Detergent Tray Optimizes Detergent Dissolving
- Load Size Sensor Automates Wash Temperature
- Water Softener Ensures Perfect Shine
- Sanitize Option Eliminates Bacteria and Enhances Drying Results

Efficiency

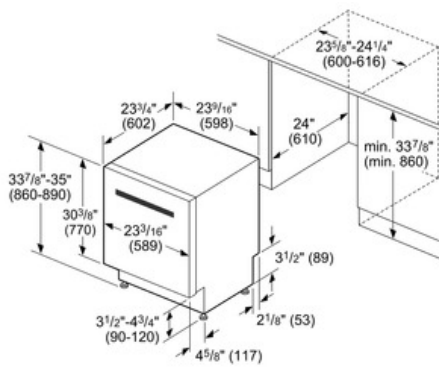
- 259 kwh/yr - Energy Star®
- Half Load Option for Small Loads

Convenience

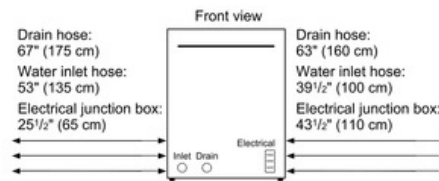
- TimeLight™ Beams Remaining Time of the Cycle on Floor
- 24 H Delay Start Timer
- AquaStop® Leak Protection Works 24/7
- Self-Latching Door
- Express Wash - In 30 Minutes or Less
- SpeedPerfect™ Option Reduces Cycle Time while Maintaining Cleaning Performance

Dishwashers

24" Bar Handle Dishwasher 800 Plus Series- Stainless steel SHX7PT55UC



measurements in inches (mm)



All connections are at the rear of the appliance.
Extension for drain hose available as accessory.
Power cord for connection to electrical outlet (3-prong plug) available as accessory.