

## Dishwashers

### 24" Bar Handle Dishwasher SHX8PT55UC Benchmark Series- Stainless steel



### Expandable wings on our flexible 3rd rack provide extra height to fit ramekins, measuring cups and extra-large utensils.

- **40 dBA:** Quietest dishwasher brand.
- A flexible 3rd rack with folding tines adds 30% more loading capacity.
- A clean white light illuminates the interior when the door is open.
- Water softener ensures optimally spot-free and shiny dishes.
- The SteelTouch™ control panel is highly responsive and easy-to-use.

#### Technical Data

Adjustable upper rack :	Rackmatic 3-stage
Upper rack cup shelf :	2
3rd Rack :	3rd Rack 2.0
Silverware Basket :	Standard
Accessories Parts :	3 small item clips, baking-sheet spray head grey, bottle holder metal
Optional accessories :	SGZ1010UC, SGZ9091UC, SMZ5000, SMZ5002UC, SMZPC002UC
UPC code :	825225905042
Variant color :	Stainless steel
Panel ready :	No
Silence level (dBA) :	40
Watts (W) :	1300
Current (A) :	12
Volts (V) :	120
Frequency (Hz) :	60
Energy Consumption (kWh/yr) :	259
Energy Star® qualified :	Yes
Plug type :	fixed connection
Required cutout size (HxWxD) (in) :	33 7/8 " x 23 5/8 " x 24 "
Required cutout size (HxWxD) (mm) :	860-890 x 600 x 610
Overall appliance dimensions (HxWxD) (in) :	33 7/8 " x 23 9/16 " x 23 3/4 "
Power cord length (in) :	43 1/2"
Power cord length (cm) :	110
Length outlet hose (in) :	67 "
Length outlet hose (cm) :	175.0
Length inlet hose (in) :	53"
Length inlet hose (cm) :	135
Product packaging dimensions (HxWxD) (in) :	35 3/4" x 26" x 29 5/16"
Tub material :	Stainless steel
Tub type :	TallTub
ADA Compliant :	No
Number of place settings :	15

#### Optional accessories

- SGZ1010UC : Drain hose extension kit
- SGZ9091UC : finish salt for dishwashers
- SMZ5000 : Dishwashing aid set
- SMZ5002UC : Silverware box
- SMZPC002UC : Powercord with cold plug

## Dishwashers

### **24" Bar Handle Dishwasher SHX8PT55UC Benchmark Series- Stainless steel**

**Expandable wings on our flexible 3rd rack provide extra height to fit ramekins, measuring cups and extra-large utensils.**

#### **Key Features**

- 40 dBA- Quietest Dishwasher Brand.
- Flexible 3rd Rack with Adjustable Separators Provides Additional Loading Capacity
- SteelTouch™ Control Panel
- White Light Illuminates the Interior when the Dishwasher is Open
- Water Softener Ensures Perfect Shine

#### **Design**

- Full Size Stainless Steel Tall Tub Installs Perfectly Flush
- Flexible 3rd Rack with Adjustable Separators Provides Additional Loading Capacity
- 16 Place Setting Capacity
- LED Remaining Time Display
- SteelTouch™ Control Panel
- RackMatic® on Upper Rack - 3 Height Adjustments and Up to 9 Possible Rack Positions
- Flexible Silverware Basket Can be Split into Two Pieces and Placed Anywhere for Added Flexibility
- Extra Tall Item Sprinkler Cleans Items 22" Tall

#### **Performance**

- 40 dBA- Quietest Dishwasher Brand.
- 6 Programs and 5 Options
- Detergent Tray Optimizes Detergent Dissolving
- Load Size Sensor Automates Wash Temperature
- Water Softener Ensures Perfect Shine
- Sanitize Option Eliminates Bacteria and Enhances Drying Results

#### **Efficiency**

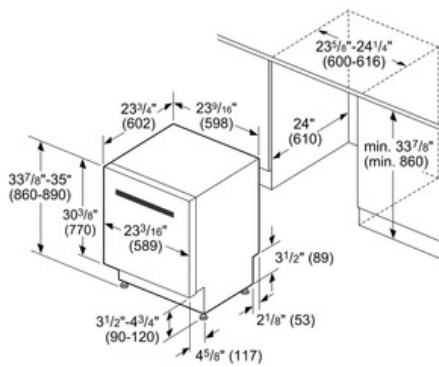
- 259 kwh/yr - Energy Star®
- Half Load Option for Small Loads

#### **Convenience**

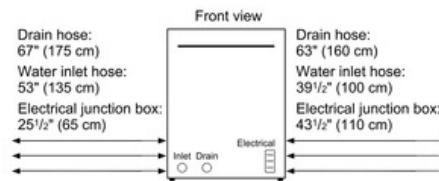
- InfoLight® Beams on Floor to Indicate Dishwasher is Running
- White Light Illuminates the Interior when the Dishwasher is Open
- 24 H Delay Start Timer
- AquaStop® Leak Protection Works 24/7
- Self-Latching Door
- Express Wash - In 30 Minutes or Less
- SpeedPerfect™ Option Reduces Cycle Time while Maintaining Cleaning Performance

## Dishwashers

### 24" Bar Handle Dishwasher SHX8PT55UC Benchmark Series- Stainless steel



measurements in inches (mm)



All connections are at the rear of the appliance.  
Extension for drain hose available as accessory.  
Power cord for connection to electrical outlet (3-prong plug) available as accessory.