

Microwaves

HMB50152UC Built-In Microwave Oven 500 Series - Stainless Steel



Built-In Microwave Design Matched for Use in Combination with Bosch Wall Oven

- Built For Speed and Convenience With 950 Watts of Microwave Cooking Power
- Built For Speed and Convenience With 950 Watts of Microwave Cooking Power
- Convenient Automatic Sensor Programs Simplify Cooking for Great Results Every Time
- White Colored LCD Matches Bosch Wall Ovens

Technical Data

Max. Microwave power (W) :	950
Number of Power Levels :	10
Turntable :	Yes
Turntable diameter (in) :	14 1/8"
Turntable diameter (mm) :	360
Heating type :	Microwave
Cavity material :	Stainless steel
Door opening :	Handle
Clock / Timer :	Yes
Included accessories :	1 x grid high, 1 x grid flat
UPC code :	825225924180
Product color :	Stainless steel
Watts (W) :	1750
Current (A) :	15
Volts (V) :	120
Frequency (Hz) :	60
Approval certificates :	CUL, UL
Power cord length (in) :	43"
Power cord length (cm) :	109
Plug type :	Nema5-15P
Required cutout size (HxWxD) (in) :	19 1/4" x 28 1/2" x 19 1/4"
Required cutout size (HxWxD) (mm) :	488 x 724 x 488
Overall appliance dimensions (HxWxD) (in) :	19 5/8" x 29 3/4" x 19 5/8"
Overall appliance dimensions (HxWxD) (mm) :	498 x 755 x 498
Product packaging dimensions (HxWxD) (in) :	23.62 x 26.29 x 33.85
Net weight (lbs) :	78
Net weight (kg) :	35.0
Gross weight (lbs) :	87
Gross weight (kg) :	39.0

Included accessories

1 x grid high
1 x grid flat

Microwaves

HMB50152UC

Built-In Microwave Oven 500 Series - Stainless Steel

Built-In Microwave Design Matched for Use in Combination with Bosch Wall Oven

Design

- Built-In Microwave For Use With Bosch Wall Ovens
- Recessed Glass Turntable

Performance

- 950 Watt Microwave Power
- 10 Microwave Power Levels

Efficiency

- Large Cooking Interior Gives You Flexibility to Cook Various Dishes
- More Even Cooking From Center to Crust

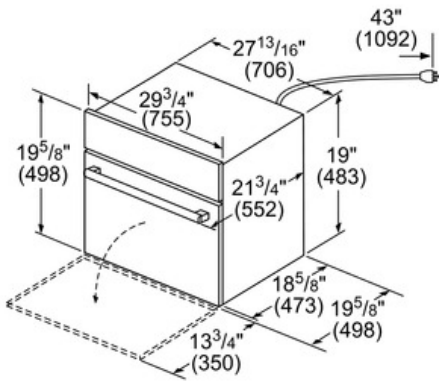
Convenience

- Keep Warm Program
- Automatic Sensor Programs Simplify Cooking for Great Results
- Popcorn Program - Get Fully "Popped" Popcorn Simply by Entering the Bag Size
- Timer with Cook Time and Delay Start Function

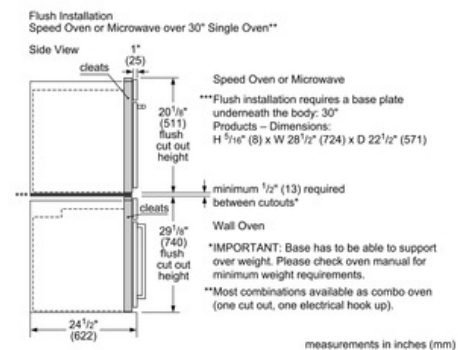
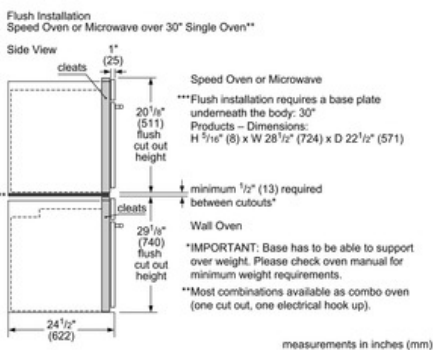
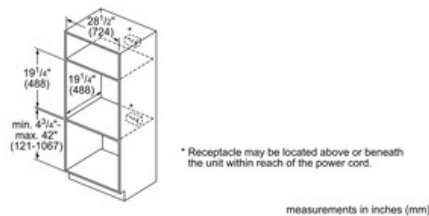
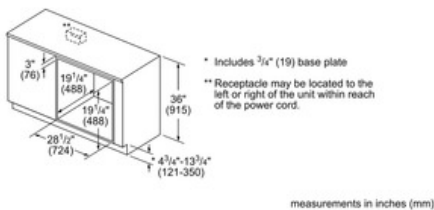
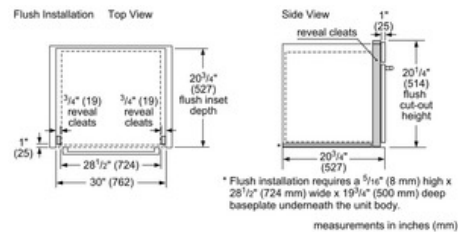
Microwaves

HMB50152UC

Built-In Microwave Oven 500 Series - Stainless Steel



measurements in inches (mm)



Microwaves

HMB50152UC

Built-In Microwave Oven 500 Series - Stainless Steel

