

Built-in Microwave 500 Series - Stainless Steel HMB5050



Features and Benefits

Key Features

- Quick Defrost - Defrosts Foods such as Meat, Poultry and Seafood Simply by Entering the Weight
- Convenient Automatic Sensor Programs Simplify Cooking for Great Results Every Time
- 2.1 Cu.Ft. Large Cavity
- 16 1/2" Recessed Glass Turntable

Design

- Built-in Microwave Design-matched for Use in Combination with Bosch Wall Oven
- Contemporary Stainless Steel Design
- Amber Colored Display
- Flush-to-Cabinet Design
- ClearTouch® Glass Control
- Available with 27" or 30" Trim Kit for Built-in Installation
- Available in Black, White and Stainless Steel

Performance

- Beverages - Reheats One or Two Cups of Room Temperature Beverages Without Setting Power and Time
- Quick Defrost - Defrosts Foods such as Meat, Poultry and Seafood Simply by Entering the Weight
- Innovative Microwave Inverter Technology - More Even Cooking From Center to Crust
- 1200 Watts Microwave Power
- Popcorn Program - Get Fully "Popped" Popcorn Simply by Entering the Bag Size
- 10 Microwave Power Levels

Convenience

- Keep Warm Program
- Quick Min Conveniently Adds Cooking Time with One Touch
- Convenient Automatic Sensor Programs Simplify Cooking for Great

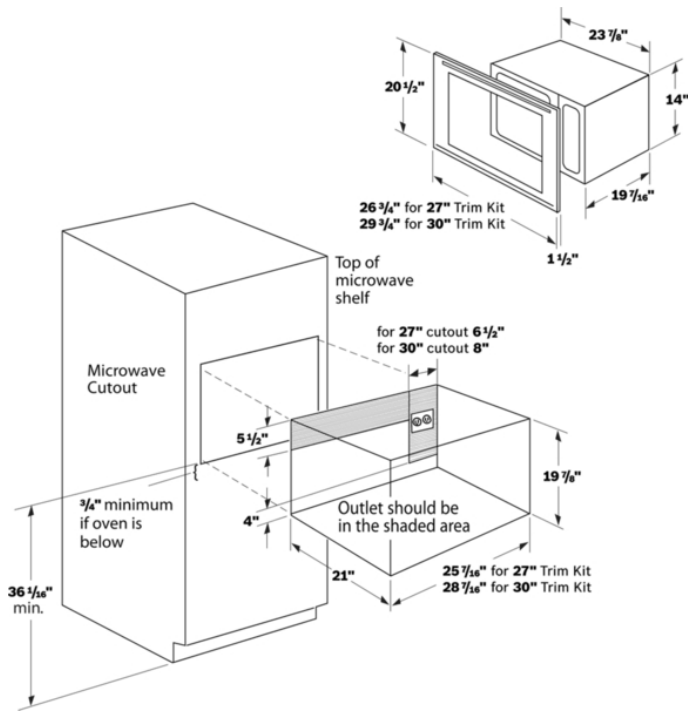
Notes: All height, width and depth dimensions are shown in inches. *Please refer to installation instructions prior to making cutout. BSH reserves the absolute and unrestricted right to change product materials and specifications, at any time, without notice. Consult the product's installation instructions for final dimensional data and other details. Applicable product warranty can be found in a accompanying product literature or you may contact your account manager for further details.

For more information on our entire line of products, go to boschappliances.com or call 1-800-944-2904.
Copyright ©2017 BSH Home Appliances Corporation. All rights reserved. Bosch is a registered trademark of Robert Bosch GmbH.

Litho Date: 10/2017



Built-in Microwave 500 Series - Stainless Steel HMB5050



Features

Max. Microwave power (W)	1200
Number of Power Levels	10
Turntable	Yes
Turntable diameter (in)	16 1/2"
Heating type	Microwave
Cavity material	lacquered
Door opening	Button
Clock / Timer	Yes
Max. extraction rate (CFM)	
Maximum output recirculating air	
Ventilation Power Levels	
Type of Filter	
Type of lights	Bulb
Number of lights	1
Included accessories	

Technical Specification

UPC code	825225847205
Product color	Stainless steel
Alternative colors available	HMB5020, HMB5060
Watts (W)	1460
Current (A)	20
Volts (V)	120
Frequency (Hz)	60
Approval certificates	CSA, UL
Power Cord Length	41 5/16"
Plug type	120V-3 prong
Required cutout size (HxWxD) (in)	19 7/8" x 25 7/16" x 21"
Overall appliance dimensions (HxWxD) (in)	14" x 23 7/8" x 19 7/16"
Product packaging dimensions (HxWxD) (in)	18.89 x 18.11 x 26.37
Net weight (lbs)	34
Gross weight (lbs)	40

Notes: All height, width and depth dimensions are shown in inches. *Please refer to installation instructions prior to making cutout. BSH reserves the absolute and unrestricted right to change product materials and specifications, at any time, without notice. Consult the product's installation instructions for final dimensional data and other details. Applicable product warranty can be found in a accompanying product literature or you may contact your account manager for further details.

For more information on our entire line of products, go to boschappliances.com or call 1-800-944-2904.
Copyright ©2017 BSH Home Appliances Corporation. All rights reserved. Bosch is a registered trademark of Robert Bosch GmbH.

Litho Date: 10/2017

