

**300 Series, Over-The-Range
Microwave, 75 x 41 cm, Stainless
Steel
HMV3054C**

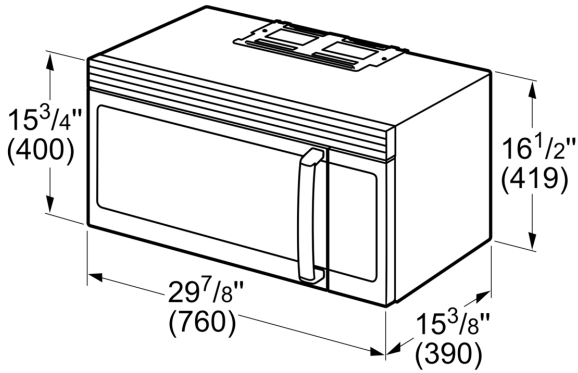


- **Sensor Detection:** convenient automatic sensor programs simplify cooking for perfect and consistent results.
- **LED-display control, white:** easy-to-use thanks to direct access to additional functions.
- **Over-the-Range Microwave:** designed to install with a Bosch range or cooktop.
- **Triple Distribution Turntable Disk:** provides improved distribution of microwave energy for more even cooking.
- **Reheat feature provides 3 quick preset settings based on serving size.**

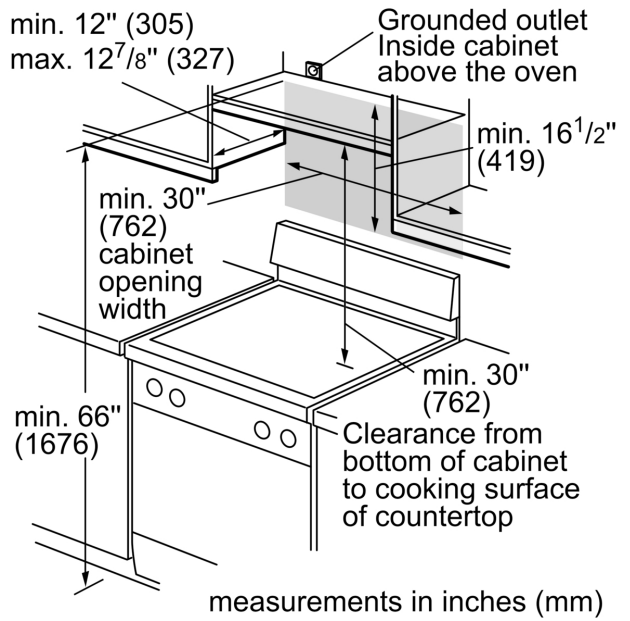
UPC code: 825225972747
 Product color: Stainless Steel
 Watts: 1500 W
 Fuse protection: 15 A
 Volts: 120 V
 Frequency: 60 Hz
 Power Cord Length: 40"
 Power cord length: 100 cm
 Plug type: 120V-3 prong
 Required Cutout Size (HxWxD) (in): 30" x 30" x 12"-12 7/8"
 Required cutout size (HxWxD): 762-762 x 762-762 x 305 mm
 Overall Appliance Dimensions (HxWxD) (in): ..16 1/2" x 29 7/8" x 15 3/8"
 Dimensions: 419x758x390 mm
 Product Packaging Dimensions (HxWxD): 20.07 x 33.26 x 19.29
 Product packaging dimensions (HxWxD): 510x845x490 mm
 Net Weight: 55.000 lbs
 Net Weight: 25.0 kg
 Gross Weight: 63.000 lbs
 Gross weight: 28.5 kg



300 Series, Over-The-Range
Microwave, 75 x 41 cm, Stainless
Steel
HMV3054C



Measurements in inches
(mm) in brackets



measurements in inches (mm)