

# 30" Induction Slide-in Range



500 Series – Stainless Steel HIF5050MC



**HIF5050MC**  
Stainless Steel

**Experience culinary precision with the Bosch 500 Series induction slide-in range which seamlessly blends cutting edge performance and timeless design for any budget, all with Bosch quality.**

## Features & Benefits

Rapid pre-heat reaches 350°F before you finish your prep.

All-in-One Range delivers all the cooking versatility without the countertop clutter: Air Fry, Bake, Broil, Roast, Convection Bake, Convection Roast, Pizza, Proof, Quick Meal, Keep Warm and Dehydrate.

Powerful 3,500W ring with boost element for high heat and quick time to Boil.

Steam-assist cleaning cycle for quick upkeep, and self-clean cycles for deep cleaning.

Easy installation: the slide-in design replaces existing range cutouts and slides back against the wall for a finished look.

Cook precisely with meat probe.

## General Properties

Cooking modes	Air Fry, Bake, Broil, Roast, Convection Bake, Convection Roast, Pizza, Proof, Quick Meal, Keep Warm, Dehydrate
Cleaning type	Self-clean (2h, 3h, 5h) & Steam-assist clean
Type of surface	Ceramic Glass
Interior light	1
Kitchen timer	Yes
Drawer type	Storage

## Oven Performance

Bake / broil element watts	3,000 / 3,400 W
Convection element watts	1,500 W

## Element Performance

Total cooktop elements	4 Zones
Power of front left element watts	2,000 W (3,000 W with Boost)
Power of back left element watts	2,000 W (3,000 W with Boost)
Power of back right element watts	1,200 W (1,800 W with Boost)
Power of front right element watts	2,100 W (3,500 W with Boost)

## Element Size

Dimension of front left heating element	7"
Dimension of back left heating element	7"
Dimension of back right heating element	6"
Dimension of front right heating element	10"



## Technical Details

Watts	10,100 / 12,100 W
Circuit breaker	40 A
Volts	208 V / 240 V
Frequency	60 Hz
Plug Type	4 Prong
Energy source	Electric

## Dimensions & Weight

Overall appliance dimensions (HxWxD)	36" x 29 7/8" x 26 1/2" w/o handle
Required cutout size (HxWxD)	36" x 30" x 25"
Adjustable range height	3/4"
Oven cavity size	5.8 cu. ft.
Overall oven interior dimensions (HxWxD)	24 3/16" x 21 1/8" x 19 13/16"
Usable oven interior dimensions (HxWxD)	23 5/8" x 20 3/16" x 18 3/8"
Net weight	152.3 lbs

## Accessories – Included

Use and care manual, installation guide, 2 standard racks, anti-tip protection kit

† To be fully ADA compliant, these units must be installed according to ADA guidelines. Please check current ADA requirements for guidance on installation.

**Accessories:** To purchase Bosch accessories, cleaners & parts please visit [www.bosch-home.com/us/store](http://www.bosch-home.com/us/store) or call 1-800-944-2904 (Mon to Fri 5 am to 6 pm PST, Sat 6 am to 3 pm PST).

**Notes:** All height, width and depth dimensions are shown in inches. BSH reserves the absolute and unrestricted right to change product materials and specifications, at any time, without notice. Consult the product's installation instructions for final dimensional data and other details prior to making cutout.

**Warranties:** Please see Use & Care manual or Bosch website for statement of limited warranty.

**For more information on our entire line of products, go to [www.bosch-home.com/us](http://www.bosch-home.com/us) or call 1-800-944-2904**

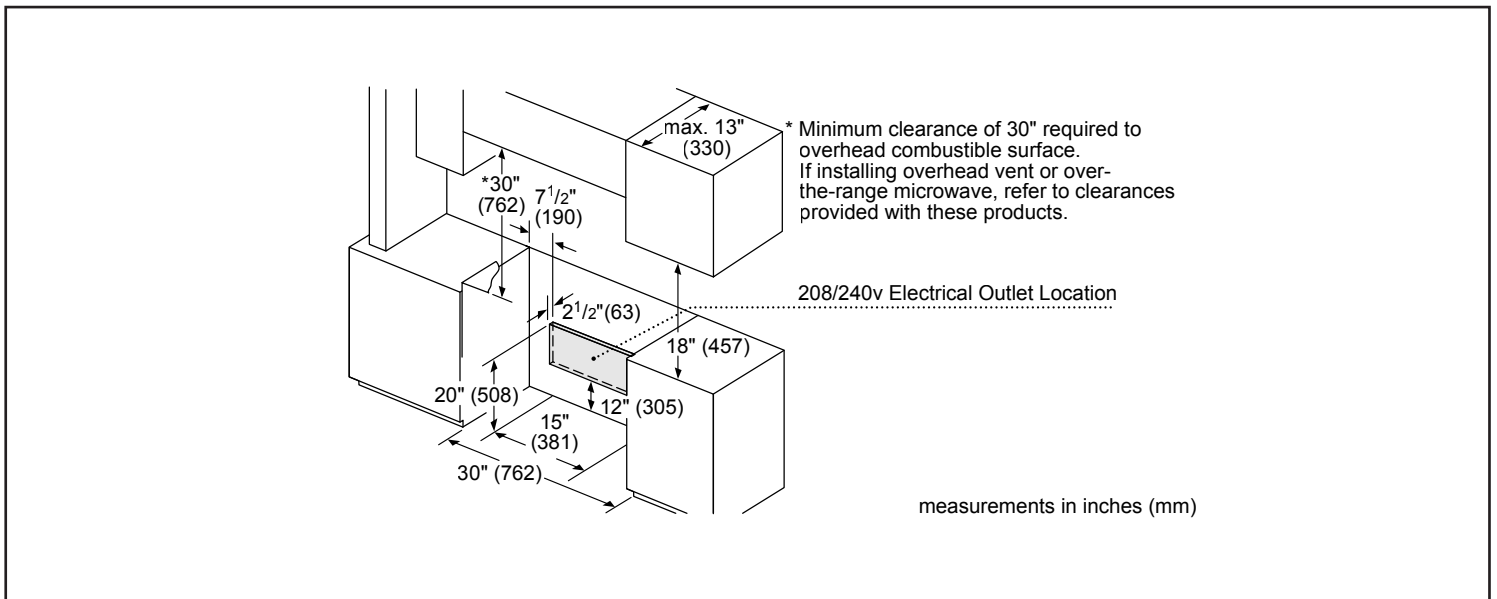
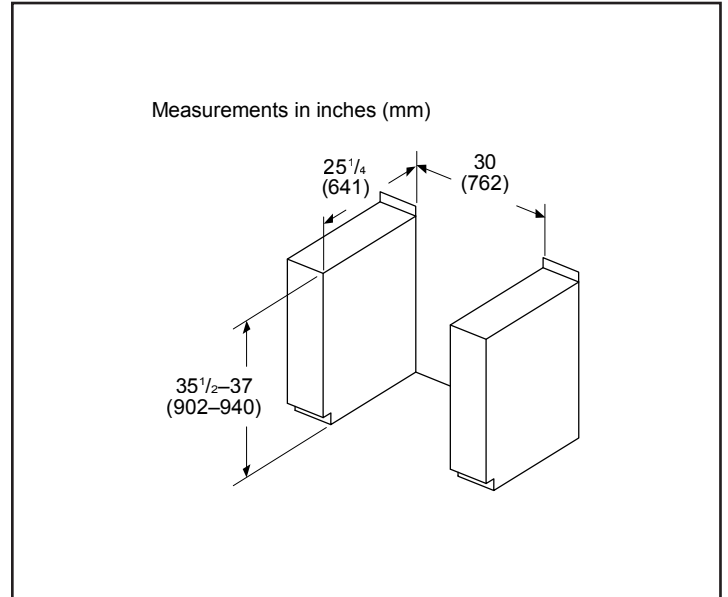
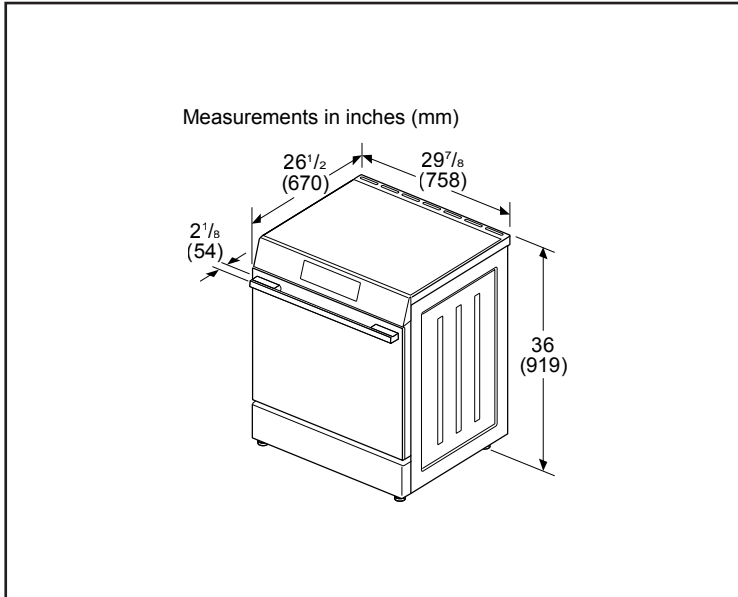
© BSH Home Appliances Corporation. All rights reserved. Bosch is a registered trademark of Robert Bosch GmbH.

# 30" Induction Slide-in Range



500 Series – Stainless Steel HIF5050MC

## Installation Details



**Accessories:** To purchase Bosch accessories, cleaners & parts please visit [www.bosch-home.com/us/store](http://www.bosch-home.com/us/store) or call 1-800-944-2904 (Mon to Fri 5 am to 6 pm PST, Sat 6 am to 3 pm PST).

**Notes:** All height, width and depth dimensions are shown in inches. BSH reserves the absolute and unrestricted right to change product materials and specifications, at any time, without notice. Consult the product's installation instructions for final dimensional data and other details prior to making cutout.

**Warranties:** Please see Use & Care manual or Bosch website for statement of limited warranty.

**For more information on our entire line of products, go to [www.bosch-home.com/us](http://www.bosch-home.com/us) or call 1-800-944-2904**

© BSH Home Appliances Corporation. All rights reserved. Bosch is a registered trademark of Robert Bosch GmbH.

10/25-CA