

# 30" Induction Slide-in Range

800 Series – Stainless Steel HII8057C



**HII8057C**  
Stainless Steel

Also available in:  
Black Stainless Steel HII8047C

**The full-depth induction slide-in range allows fast & efficient cooking and has an oven that provides consistent, even baking.**

## Features & Benefits

Induction cooking is faster and more efficient than gas and electric.

The warming drawer keeps your meals warm and ready to serve.

Convection Pro combines a third heating element with a back fan for even browning and time savings by using multiple racks at one time.

## General Properties

|               |   |
|---------------|---|
| Cooking modes | Bake, Variable Broil (hi & low), Roast, Warm, Proof Dough, Convection Bake, Convection Broil, Convection Roast, Convection Multi-Rack, Convection Conversion, Pizza, Temperature Probe, Fast Preheat, Sabbath |
|---------------|---|

|                |                |
|----------------|----------------|
| Cleaning type  | Self clean     |
| Interior light | 1              |
| Kitchen timer  | Yes            |
| Drawer type    | Warming drawer |

## Oven Performance

|                            |                 |
|----------------------------|-----------------|
| Bake / broil element watts | 2,400 / 3,800 W |
| Convection element watts   | 2,000 W         |

## Element Performance

|                                    |                          |
|------------------------------------|--------------------------|
| Total cooktop elements             | 4                        |
| Power of front left element watts  | 1,400 W (2,200 w/ boost) |
| Power of back left element watts   | 2,200 W (3,700 w/ boost) |
| Power of back right element watts  | 2,600 W (3,700 w/ boost) |
| Power of front right element watts | 1,400 W (2,200 w/ boost) |

## Element Size

|  |     |
|--|-----|
| Dimension of front left heating element  | 6"  |
| Dimension of back left heating element   | 9"  |
| Dimension of back right heating element  | 11" |
| Dimension of front right heating element | 6"  |

## Technical Details

|                   |                    |
|-------------------|--------------------|
| Watts             | 11,700 / 14,000 W  |
| Circuit breaker   | 40 A               |
| Volts             | 208 V / 240 V      |
| Frequency         | 60 Hz              |
| Power cord length | 1.5 meter          |
| Plug type         | 208/240V - 4 prong |
| Energy source     | Electric           |

## Dimensions & Weight

|  |                                 |
|--|---------------------------------|
| Overall appliance dimensions (HxWxD)     | 36 1/2"–38" x 31 1/2" x 28 7/8" |
| Required cutout size (HxWxD)             | 35 1/2"–37" x 30" x 25"         |
| Adjustable range height                  | 1 1/2"                          |
| Oven cavity size                         | 4.6 cu. ft.                     |
| Overall oven interior dimensions (HxWxD) | 17 13/16" x 24 1/8" x 18"       |
| Usable oven interior dimensions (HxWxD)  | 12 5/16" x 23 1/4" x 15 1/4"    |
| Net weight                               | 239 lbs                         |

## Accessories—Included

Use and care manual, installation guide, temperature probe, 3 standard racks

## Accessories—Optional



**HEZTR301**  
30" Telescopic rack



**HEZBS301**  
4" Low backguard (stainless steel)



**HEZ390210**  
8" AutoChef® pan for 6" element



**HEZ390220**  
9" AutoChef® pan for 7" element



**HEZ390230**  
10" AutoChef® pan for 8" and 9" elements



**Accessories:** To purchase Bosch accessories, cleaners & parts please call 1-800-944-2904 (Mon to Fri 5 am to 6 pm PST, Sat 6 am to 3 pm PST).

**Notes:** All height, width and depth dimensions are shown in inches. BSH reserves the absolute and unrestricted right to change product materials and specifications, at any time, without notice. Consult the product's installation instructions for final dimensional data and other details prior to making cutout.

**Warranties:** Please see Use & Care manual or Bosch website for statement of limited warranty.

**For more information on our entire line of products, go to [www.bosch-home.ca](http://www.bosch-home.ca) or call 1-800-944-2904**

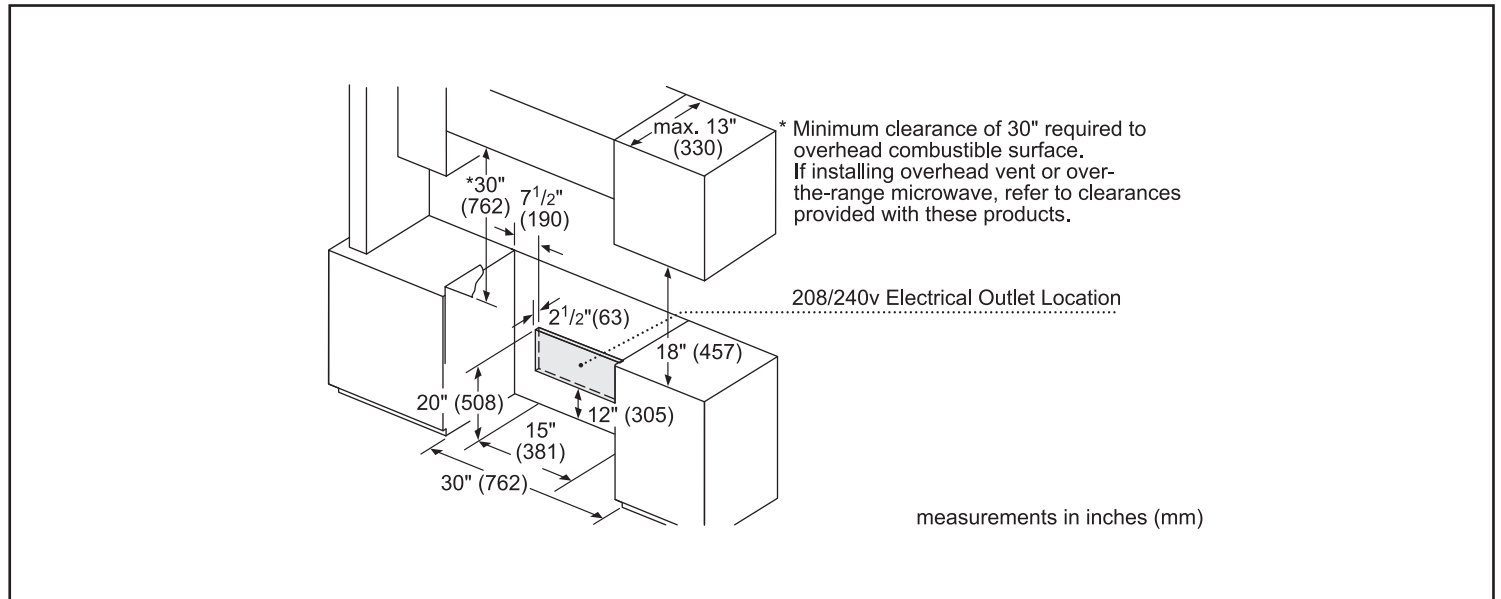
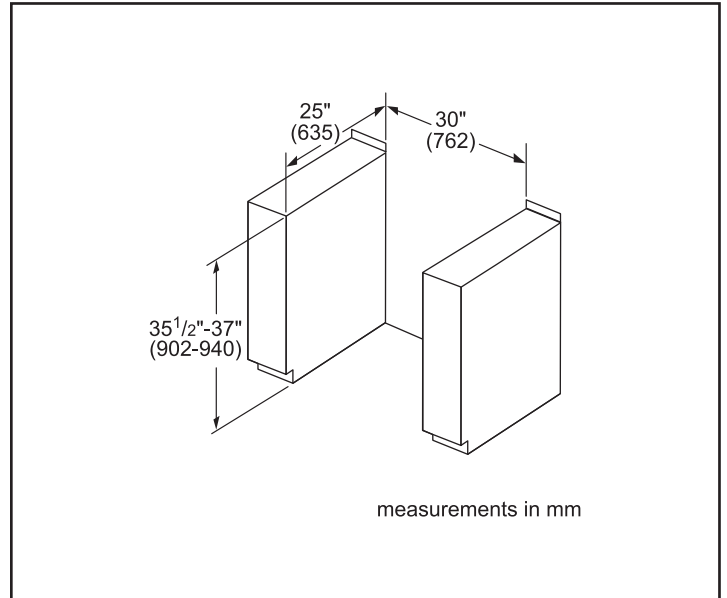
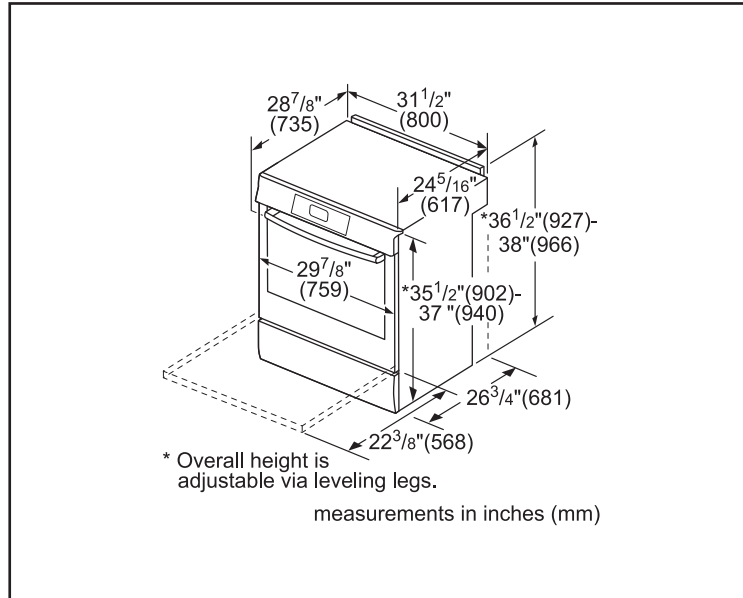
© BSH Home Appliances Corporation. All rights reserved. Bosch is a registered trademark of Robert Bosch GmbH.

# 30" Induction Slide-in Range

800 Series – Stainless Steel HII8057C



## Installation Details



**Accessories:** To purchase Bosch accessories, cleaners & parts please call 1-800-944-2904 (Mon to Fri 5 am to 6 pm PST, Sat 6 am to 3 pm PST).

**Notes:** All height, width and depth dimensions are shown in inches. BSH reserves the absolute and unrestricted right to change product materials and specifications, at any time, without notice. Consult the product's installation instructions for final dimensional data and other details prior to making cutout.

**Warranties:** Please see Use & Care manual or Bosch website for statement of limited warranty.

**For more information on our entire line of products, go to [www.bosch-home.ca](http://www.bosch-home.ca) or call 1-800-944-2904**

© BSH Home Appliances Corporation. All rights reserved. Bosch is a registered trademark of Robert Bosch GmbH.