

36" French Door Bottom-Freezer

800 Series – Stainless Steel B26FT80SNS



B26FT80SNS
Stainless Steel

The standard-depth French Door refrigerator offers large storage capacity and optimal freshness to keep your food fresher longer.

Features & Benefits

VitaFresh® refrigerators maintain optimal temperature and humidity.

MultiAirFlow™ cooling system boosts air circulation for even temperature.

LED lighting and transparent storage provide ideal visibility throughout.

Quick Ice speeds up the ice making process when more ice is needed.

Stainless SteelTouch® control panel for ease of use.

General Properties

Water filter	Yes
Lighting	LED
Defrost process refrigerator section	Frost-free
Number of shelves - refrigerator	5
Adjustable shelves - refrigerator	4 half-width
Shelf material - refrigerator	Tempered glass
Type of shelves - refrigerator	Spill-proof glass
Gallon storage bins	2
Covered dairy bin	1
Humidity control drawer	2 VitaFresh®
Defrost process freezer section	Automatic
Number of drawers - freezer	2
Ice maker	Yes
Quick ice	Yes

Capacity

Total unit gross capacity (cu. ft.) - AHAM	25.5 cu. ft.
Refrigerator gross capacity (cu. ft.)	17.68 cu. ft.
Freezer gross capacity (cu. ft.)	7.8 cu. ft.

Technical Details

Current (A)	15 A
Volts (V)	120 V
Frequency (Hz)	60 Hz
Power cord length (in.)	62"
Plug type	120V-3 prong



Dimensions & Weight

Appliance dimensions (H x W x D) (in.)	69 3/4" x 35 5/8" x 33 13/32"
Required cutout size (H x W x D) (in.)	69" x 36" x 30 1/8"
Net weight (lbs)	248 lbs

Efficiency

Energy consumption (kWh/yr)	744 kWh
-----------------------------	---------

Accessories—Included

Included	Egg box with lid
----------	------------------

Accessories—Optional

BORPLFTR10
Replacement water filter
(P/N 00740570)



For help and assistance with Bosch accessories please visit: www.bosch-eshop.com/eshop/bosch/us or call 1-800-944-2904 Mon-Fri 5am to 6pm PST Sat 6am to 3pm PST

Notes: All height, width and depth dimensions are shown in inches. BSH reserves the absolute and unrestricted right to change product materials and specifications, at any time, without notice. Consult the product's installation instructions for final dimensional data and other details prior to making cutout. Applicable product warranty can be found in accompanying product literature or you may contact your account manager for further details.

Warranties: Bosch warrants that the Product is free from defects in materials and workmanship for a period of three hundred and sixty-five (365) days from the date of purchase. The foregoing timeline begins to run upon the date of purchase, and shall not be stalled, tolled, extended, or suspended, for any reason whatsoever. This Product is also warranted to be free from cosmetic defects in material and workmanship (such as scratches of stainless steel, paint/porcelain blemishes, chip, dents, or other damage) to the finish of the Product, for a period of thirty (30) days from the date of purchase or closing date for new construction. This cosmetic warranty excludes slight color variations due to inherent differences in painted and porcelain parts, as well as differences caused by kitchen lighting, product location, or other similar factors. This cosmetic warranty specifically excludes any display, floor, "As Is", or "B" stock appliances.

For more information on our entire line of products, go to www.bosch-home.com/us or call 1-800-944-2904

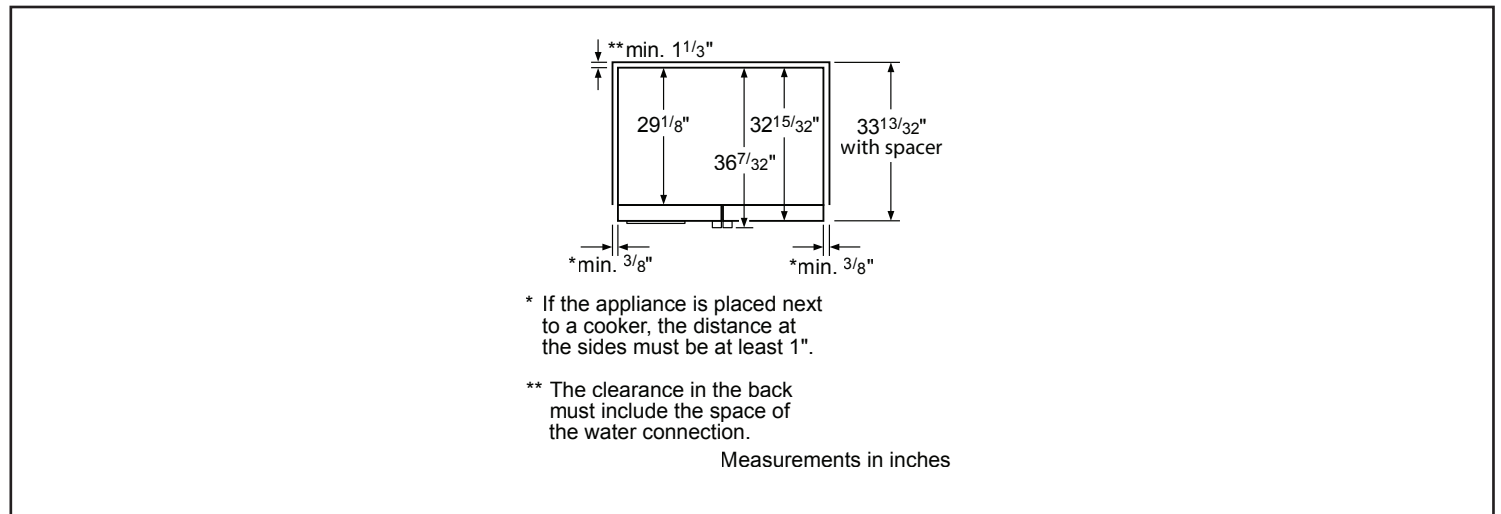
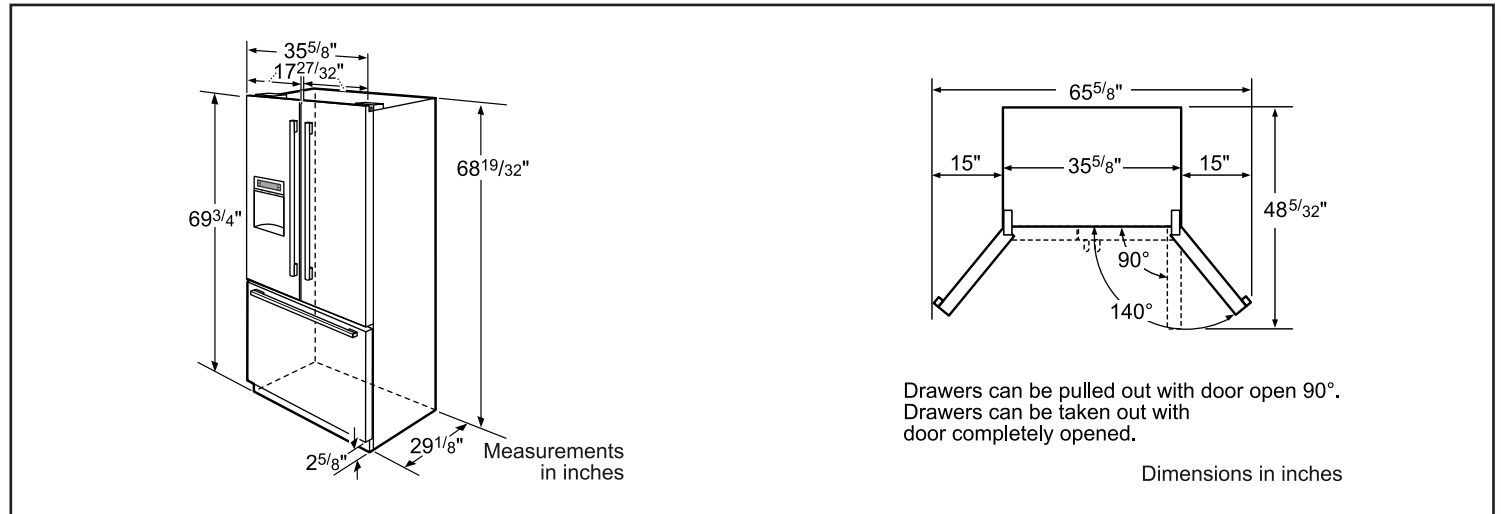
© BSH Home Appliances Corporation. All rights reserved. Bosch is a registered trademark of Robert Bosch GmbH.

36" French Door Bottom-Freezer

800 Series – Stainless Steel B26FT80SNS



Installation Details



For help and assistance with Bosch accessories please visit: www.bosch-eshop.com/eshop/bosch/us or call 1-800-944-2904 Mon-Fri 5am to 6pm PST Sat 6am to 3pm PST

Notes: All height, width and depth dimensions are shown in inches. BSH reserves the absolute and unrestricted right to change product materials and specifications, at any time, without notice. Consult the product's installation instructions for final dimensional data and other details prior to making cutout. Applicable product warranty can be found in accompanying product literature or you may contact your account manager for further details.

Warranties: Bosch warrants that the Product is free from defects in materials and workmanship for a period of three hundred and sixty-five (365) days from the date of purchase. The foregoing timeline begins to run upon the date of purchase, and shall not be stalled, tolled, extended, or suspended, for any reason whatsoever. This Product is also warranted to be free from cosmetic defects in material and workmanship (such as scratches of stainless steel, paint/porcelain blemishes, chip, dents, or other damage) to the finish of the Product, for a period of thirty (30) days from the date of purchase or closing date for new construction. This cosmetic warranty excludes slight color variations due to inherent differences in painted and porcelain parts, as well as differences caused by kitchen lighting, product location, or other similar factors. This cosmetic warranty specifically excludes any display, floor, "As Is", or "B" stock appliances.

For more information on our entire line of products, go to www.bosch-home.com/us or call 1-800-944-2904

© BSH Home Appliances Corporation. All rights reserved. Bosch is a registered trademark of Robert Bosch GmbH.