



Register your new Bosch now:
www.bosch-home.com/welcome



Fridge-freezer
Réfrigérateur / Congélateur combiné
Frigorífico / congelador



BOSCH

B36BT830NS


en Installation Instructions

es Instrucciones de montaje

fr Notice de montage

INSTALLATION INSTRUCTIONS	4
INSTRUCTIONS D'INSTALLATION	24
INSTRUCCIONES DE INSTALACIÓN.....	44

Table of Contents

Important Safety Instructions	5		
Installation options	6		
Individual appliance	6		
Individual appliances with partition	6		
Individual appliance at the end of the kitchen	6		
Installation	7		
Installation room	7		
Stable installation	7		
Installation enclosure	7		
Furniture	7		
Floor	7		
Aligning the appliance	7		
Connecting the power	8		
Grounding instruction	8		
Additional grounding procedure	8		
Connecting the water	8		
Installation dimensions	9		
Required accessories and tools	10		
Supplied accessories	10		
Optional accessories	10		
Other required accessories	10		
Other	10		
Tools	10		
Installation instructions	11		
1. Checking the installation enclosure.....	11		
2. Removing the packaging	11		
3. Transport of the appliance	12		
4. Installation preparation	13		
5. Special installation	13		
		A	1. Attaching the anti-tip-brackets
			14
			2. Attaching an alternative anti-tip-device
			15
			3. Attaching an edge protection
			15
			4. Remove the frame
			16
			5. Pushing the appliance into the installation enclosure
			17
		B	1. Aligning the appliance in the installation enclosure
			19
			2. Attaching the appliance to the top of the installation enclosure
			20
			3. Attaching the appliance to the side of the installation enclosure
			20
			4. Attaching the toe kick panel
			21
			5. Aligning the base panel
			21
			6. Attaching stainless steel front panel to the drawer.....
			22
			7. Attaching the strips
			22
			8. Adjusting the door spring
			22
			Special installation
			23
			Preparing to connect the water
			23
			Connecting the water to the appliance ..
			23
			Adjusting the door opening angle
			23

Important Safety Instructions

WARNING

These appliances are top-heavy and must be secured to prevent the possibility of tipping forward.

Anti-tip protection is required.

Keep doors closed until the appliance is completely installed and secured per installation instructions.

Due to the weight and size of this appliance, and to reduce the risk of personal injury or damage to the product – **TWO PEOPLE ARE REQUIRED FOR PROPER INSTALLATION.**

This appliance must be properly grounded. See the section on “Connecting the power”.

Use this appliance only for its intended purpose.

Immediately repair or replace electric service cords that become frayed or damaged.

Unplug the appliance or switch off the fuse before cleaning or making repairs.

Repairs should be made by a qualified service technician.

NOTE

Installation of this appliance requires basic mechanical, carpentry and plumbing skills.

Proper installation is the responsibility of the installer.

Product failure due to improper installation is not covered under the Appliance Warranty.

See the Owner's Manual for warranty information.

IMPORTANT

Save these instructions for local inspector's use. Observe all governing codes and ordinances.

Note to Installer – Be sure to leave these instructions with the Consumer.

Note to Consumer – Keep these instructions with your Owner's Manual for future reference.

General

These installation instructions are intended for use by qualified installers. All connections for water, electrical power and grounding must comply with local codes and ordinances and be made by licensed personnel when required. In the absence of a local code:

- In the U.S.A., in accordance with the National Electric Code, ANSI/NFPA70 – latest edition/State and Municipal codes and/or local codes.
- In Canada, in accordance with the Canadian Electric Code C22.1 – latest edition/Provincial and Municipal codes and/or local codes.

Definitions

WARNING:

This indicates that death or serious injuries may occur as a result of not observing this warning.

CAUTION:

This indicates that minor or moderate injuries or damage may occur as a result of not observing this warning.

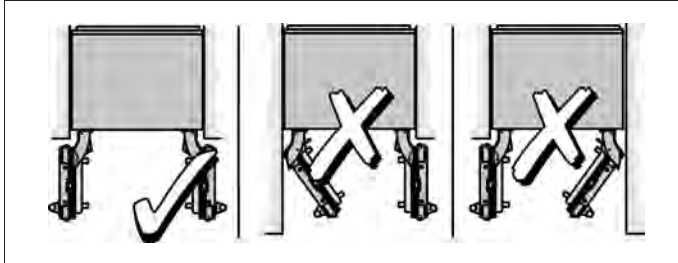
Note:

This is used to draw the user's attention to something in particular.

Installation options

There are many different installation options.
These are limited only by the design of the kitchen.

Individual appliance



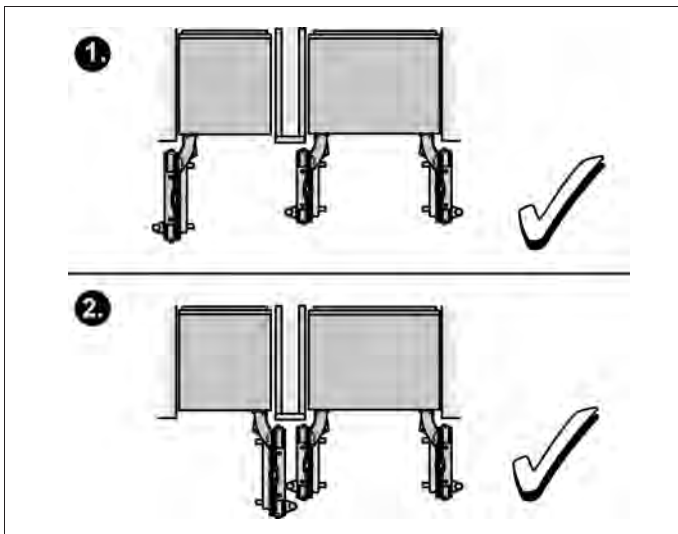
Individual appliance at the end of the kitchen

If one side of the appliance is visible, a side panel must be used.

The side panel must be connected firmly to the wall, the floor and overhead cabinet/fixtures before the appliance is placed in the installation enclosure.

The dimensions of the side panel are taken from the opposite installation enclosure wall. During installation ensure that the installation enclosure is square and the proper size.

Individual appliances with partition



- When dimensioning the partition for model 4, note the thickness of the furniture fronts to prevent damage if the doors are opened at the same time.
- Use the Heater Kit for Side-by-Side installation if the gap between the appliances is less than 6" (160 mm).
See the section on "Required accessories and tools/Optional accessories".
- Minimum thickness of the partition $\frac{5}{8}$ " (16 mm).

Installation

WARNING:

Do not install the appliance:

- outdoors,
- in an environment with dripping water,
- in rooms which are less than 32 °F (0 °C).

Appliance is very heavy:

BottomFreezer 36": Empty weight approx.
430 lbs/195 kg

Installation room

The appliance should be installed in a dry, ventilated room.

The ambient temperature should not drop below 55 °F (13 °C) or rise above 110 °F (43 °C), otherwise malfunctions may occur.

The installation location should not be exposed to direct sunlight and not placed near a heat source, such as an oven, radiator, etc. If installation next to a heat source is unavoidable, use a suitable insulating plate or observe the following minimum distances from the heat source:

- 1 1/4" (30 mm) from an electric range,
- 12" (300 mm) from a gas range.

Stable installation

The appliance is very heavy and has a tendency to tilt forwards when the appliance door is opened. Do not open the door until there is no possibility of the appliance tilting over.

The safest method of installing the appliance in a stable position is to use the supplied anti-tip devices.

If the installation enclosure is adequately stable and the appliance can be attached securely to the upper and side walls of the installation enclosure, this may provide additional stability. A prerequisite for this is always a firm connection between the installation enclosure and back wall!

If in doubt, contact an architect or a building expert.

Installation enclosure

Note:

It is strongly recommended the top panel of the niche be of solid material at least 5/8" (16 mm) thickness. If, for some reasons, a separate niche cabinet is created, make sure that the furniture return area is at least 4" (100 mm) deep.

It is important to observe the specified dimensions of the installation enclosure for a trouble-free installation of the appliance.

In particular ensure that the installation enclosure is square.

Squareness can be checked by suitable means, e.g. level, diagonal measurements, etc.

Furniture

The new appliance must be screwed securely to adjacent and overhead furniture.

For this reason it is essential that all attachable furniture are connected securely to the floor or the wall by suitable means.

Floor

WARNING:

A fully-loaded appliance is very heavy – for the loadbearing capacity minimum see the following:

BottomFreezer 36" approx. 1200 lbs/540 kg

To ensure that the appliance is installed securely and functions properly, the floor must be flat and level.

The floor must be made of a hard, rigid material.

The floor in the installation area must be at the same level as the rest of the room (no step up or down).

On account of the heavy weight of a fully loaded appliance, a load-bearing floor is required. If in doubt, contact an architect or a building expert.

Aligning the appliance

To ensure that the appliance functions correctly, it must be levelled properly.

If the appliance is not level, water may flow out of the ice maker, ice cubes may be irregular or the doors may not close properly.

Connecting the power

WARNING:

Electrical Shock Hazard

- Plug into a grounded 3 prong outlet.
- Do not remove ground prong.
- Do not use an adapter.
- Do not use an extension cord.

Failure to follow these instructions can result in death, fire, or electrical shock.

Follow all state and local codes or NEC.

The appliance comes with a UL listed 3 wire power supply cord.

The appliance requires a 3-wire receptacle.

The receptacle must be installed by a licensed electrician only.

The receptacle must be a 15 A breaker or fuse.

Appliance	Maximal load at one time
BottomFreezer 36"	6.0 Ampere

For the installation position of the receptacle see "Installation dimensions".

Grounding instruction

This appliance must be grounded. In the event of a malfunction or breakdown, grounding will reduce the risk of electric shock by providing a path of least resistance for the electric current.

WARNING:

Improper connection of the equipment grounding conductor may result in electric shock. Have the appliance checked by a qualified electrician or service technician if you are in doubt as to whether the appliance has been properly grounded.

Additional grounding procedure

Some local regulations may require a separate ground. In such cases, the required ground wire, clamp and screw are available as a separate accessory and must be purchased separately.

Never ground the appliance to plastic plumbing lines, gas lines or water pipes.

Connecting the water

CAUTION:

Only connect the appliance to drinking water!

A cold water connection is required for operation of the automatic ice maker. The water pressure must be between 25 and 120 psi. (1.72–8.25 bar). The installation must comply with local plumbing regulations.

A separate shut-off valve must be installed for the appliance water connection.

Do not use a self-piercing valve!

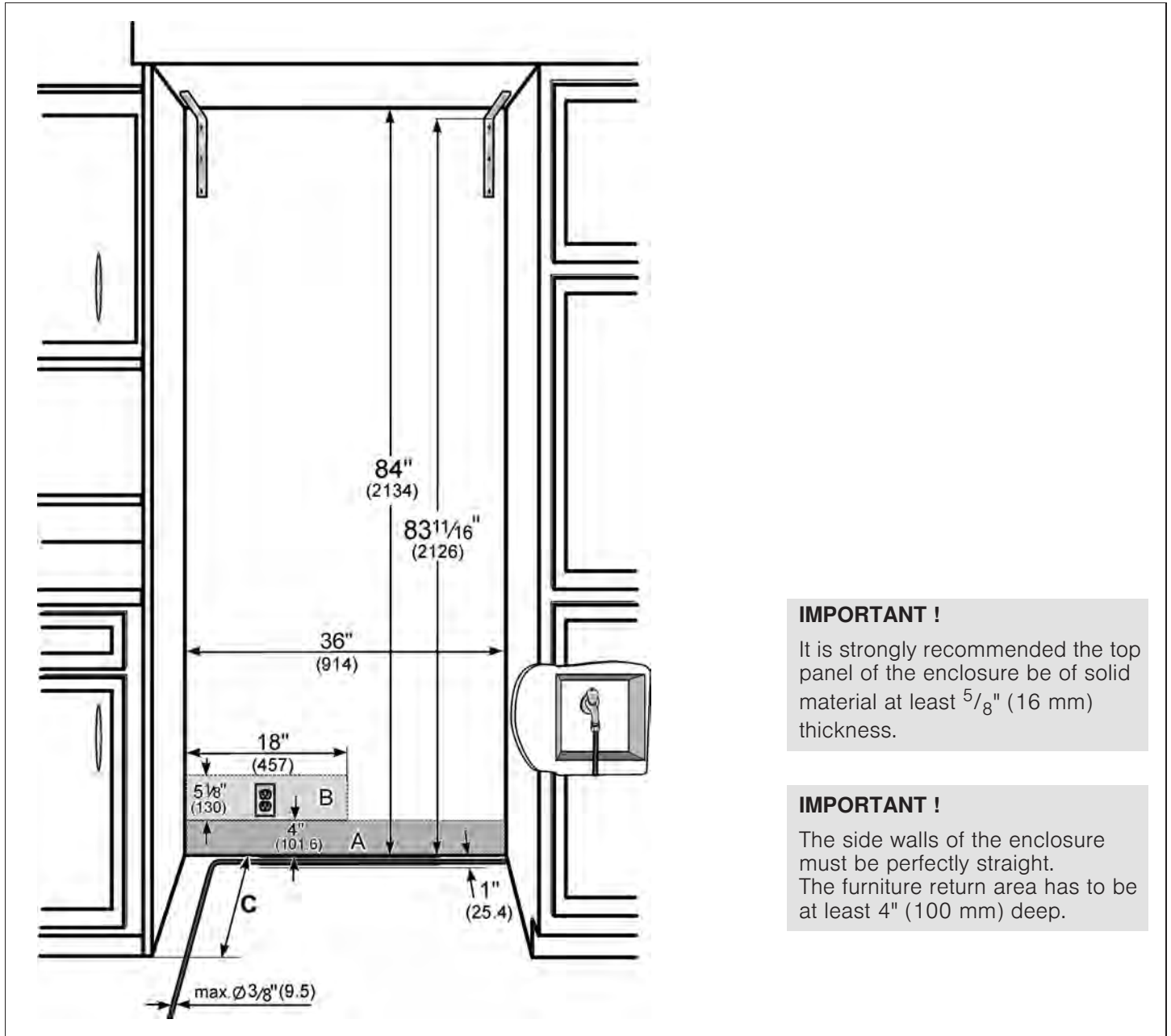
The shut-off valve for the water connection must not be behind the appliance. It is recommended to place the shut-off valve directly next to the appliance or in another easily accessible location.

When installing the water connection, observe the permitted installation areas for the pipe. For the permitted installation areas and dimensions see "Installation dimensions".

The supply pipe can be located at the side on the right (a), at the side on the left (b) or underneath (c).

Maximum outer diameter of the water pipe (without fittings): $\frac{3}{8}$ " (9.5 mm).

Installation dimensions



Legend:

A Area for installation of the water connection

It is recommended the water-box be placed adjacent to the installation enclosure, so that it can be accessed for service without uninstalling the appliance. If this is not possible, place the recessed water box within the shaded area.

B Area for installation of the power connection

C Opening depth of enclosure, depending on kitchen design

C = 24" (610 mm) minimum

Required accessories and tools

Supplied accessories

- Installation instructions
- Operating instructions
- Installation kit

Optional accessories

Heater Kit for Side-by-Side installation BOHEATKIT10

If the gap between the appliances is less than 6" (160 mm).

Other required accessories

Ice maker installation kit $\frac{1}{4}$ " OD copper line

For connecting appliances which require water, e.g. for an ice maker.

Maximum outer diameter of the water pipe (without fittings): $\frac{3}{8}$ " (9.5 mm).

Other

- Stepladder
- Dolly, hand truck
- Hammer drill for drilling holes in wall or floor
- Bits according suitable for material and in different sizes
- Wooden beam (cross section min. 3" x 4") as an alternative tilt protection, length according to the width of the installation cavity
- Wooden screws in different sizes
- Thin (max. $\frac{1}{16}$ " (1.5 mm)), suitable material to protect the floor from damage (e.g. lino)
- Suitable material for covering and protecting furniture (e.g. protective sheets)
- Adhesive tape

Note:

Before using, check whether the removed adhesive tape leaves adhesive residue on the work surfaces! Otherwise do not use on high-quality work surfaces.

Tools



Cordless screwdriver



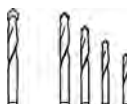
Torx bit T20 and T30 + magnetic holder



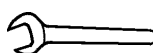
Torx screwdriver T20



$\frac{5}{16}$ " (8 mm) hex nut driver



Wood drills in different sizes



Open end wrench $\frac{1}{2}$ "
(Width across flats 13 mm)



Multigrip pliers



Adjustable wrench



Cutter with adjustable blade



Metal tape measure,
folding rule



Square



Level, length 2' (60 cm) and
4' (1,2 m)

Installation instructions

The following installation instructions describe the installation steps for various appliance types.

Therefore the diagrams may be a general representation of your appliance.

Particular reference is made to special installation steps for individual appliance types.

1. Checking the installation enclosure

⚠ CAUTION:

Use the following check list for a safe and trouble free installation.

1. Check the floor.
See section on "Installation/Floor".
2. Check the dimensions of the installation enclosure, see "Installation dimensions".
3. Check that the installation enclosure is square.
4. Check location of the socket.
See section on "Connecting the power" and in the section on "Installation dimensions".
5. Check location of the water connection (only for appliances with ice maker).
See section on "Connecting the water" and in the section on "Installation dimensions".
6. Check attachment of the adjacent cabinet/fixtures. All cabinet parts in the vicinity of the appliance must be connected securely to the wall.
7. Check that adjacent cabinet/fixtures have adequate clearance (door opening angle).

2. Removing the packaging

⚠ WARNING:

Be careful, otherwise people who are helping may be injured or the appliance may be damaged!

- The appliance may tip over while it is being unpacked.
- The appliance is very heavy.
- When opening the appliance door, the appliance may tip forwards.

Note:

Check appliance for damage in transit.

Do not install the appliance if it is visibly damaged. If in doubt, contact your dealer.

To avoid floor damage:

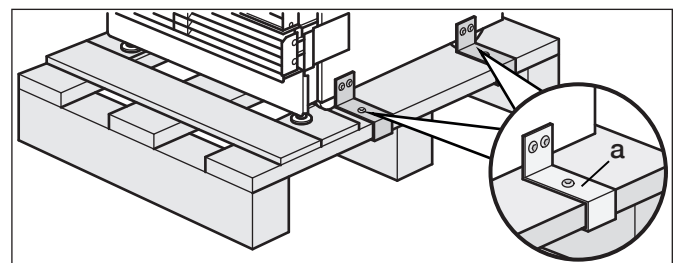
1. Remove the packaging carton and be careful not to damage the surface of appliance.
2. Place packaging cardboard or plywood under the appliance.
3. Remove accessories from the outside of the appliance.

Save adhesive tape which was used to attach the supplied accessories to the appliance. It can be used subsequently for attaching an edge protection to the installation enclosure walls (see section on "A / 3. Attaching an edge protection").

Note:

Do not remove transportation protection device from the underside of the freezer compartment drawer.

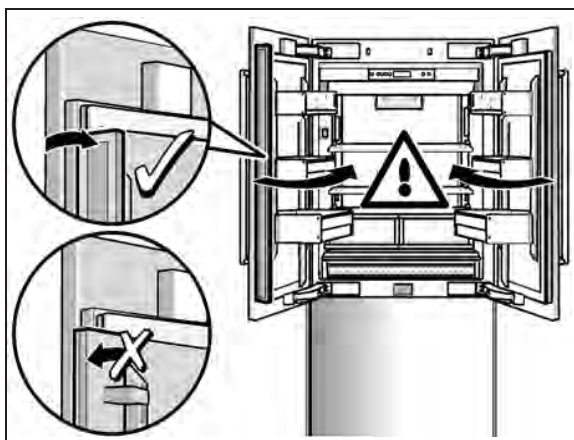
4. Remove transportation protection devices (a) and lift appliance off the pallet – appliance is very heavy!



- Carefully open the appliance – risk of tipping over – and remove accessories and installation materials from inside the appliance. Close the door again.

Note:

- Do not remove transportation safety devices which protect the shelves and storage compartments inside the appliance until the installation is complete, otherwise the parts may be damaged.
- Care should be taken when closing the door. The folding rail attached to the door of the refrigerator compartment has to be folded if the door are closed. Risk of damage!



3. Transport of the appliance

⚠ WARNING:

Be careful, otherwise people who are helping may be injured or the appliance may be damaged!


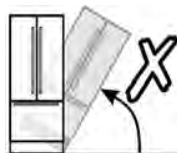
The appliance is very heavy.

The appliance is 83 1/8" (2126 mm) tall. If the appliance cannot be transported in an upright position, the appliance can be transported horizontally.

Note:

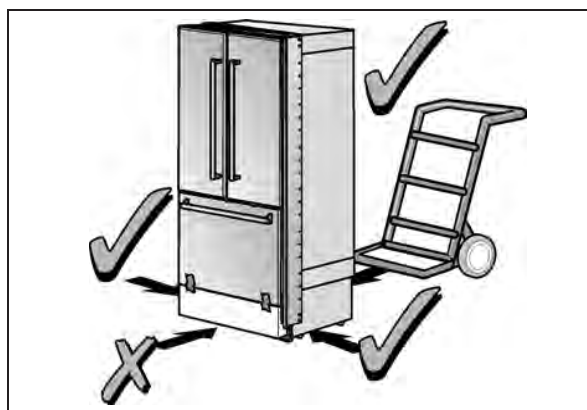
Do not raise up the appliance via the side panels. Risk of damage to the appliance!

When raising up the appliance, observe the required minimum height at the installation location according to the following table:

Raise up via appliance rear	Do not raise up from appliance side
	
Minimum height 86"/2185 mm	Do not raise up the appliance via the side panels!

Note:

Always use the appliance dolly from the rear side of the appliance. Never push it in from the front under the appliance. Risk of damage to the appliance!

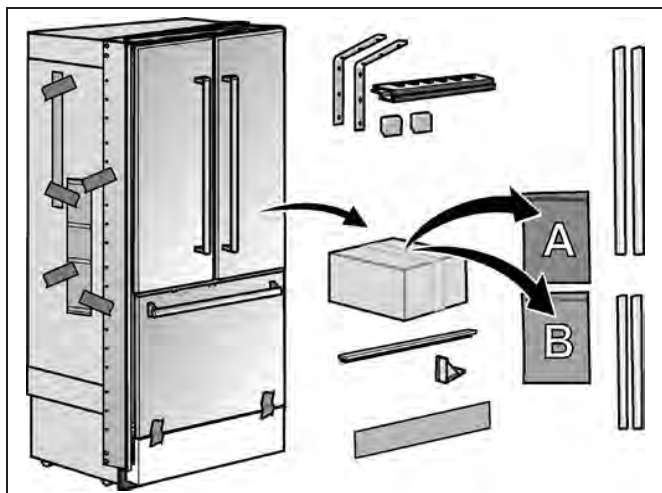


- Transport the appliance to a suitable installation location with suitable means of transportation (trolley, lifting truck or hand).
- Secure the appliance during transportation to prevent it from tipping.

4. Installation preparation

Unpack installation materials and accessories.

To simplify installation, the packages are identified with labels A and B corresponding with the manual sections.



5. Special installation

This symbol indicates that additional steps need to be taken before proceeding to the next chapter.

Special installation steps are described after section B.



- Connecting the water, see “Preparing to connect the water” and “Connecting the water to the appliance”.
- Door limitation pin, see “Adjusting the door opening angle”.

A

1. Attaching the anti-tip-brackets



WARNING:

Risk of injury and damage!

Assure that there are no electrical wires or plumbing in the area which the screws could penetrate.



CAUTION:

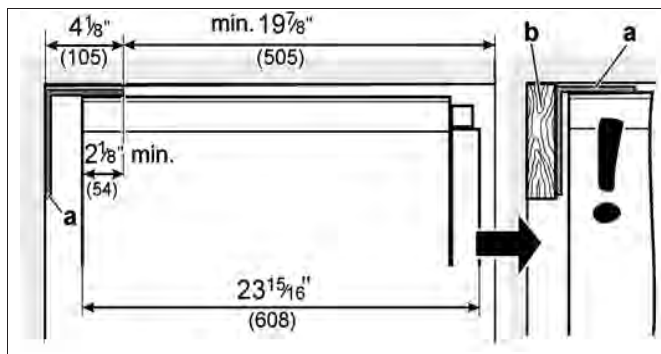
Risk of injury! Always wear safety glasses and other necessary protective devices or apparel when installing or working with dowels.

Note:

- 2 anti-tip-brackets are required for the appliance.
- The supplied set contains fastening screws for various applications. Select the fastening screws according to the local conditions.

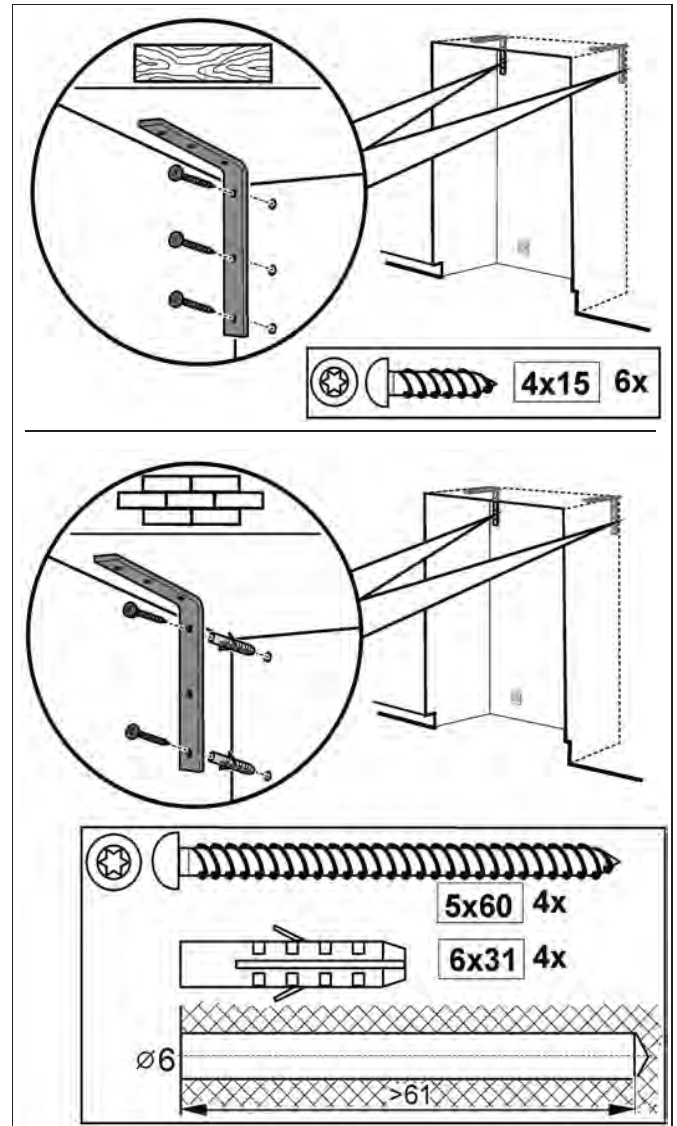
The anti-tip-brackets (a) must overlap a minimum of $2\frac{1}{8}$ " (54 mm) over the appliance to secure the appliance.

If this minimum length cannot be observed for structural conditions it is possible to do this by fastening a spacer (b) behind the anti-tip angle, e.g. a sufficiently dimensioned wood board.



The length of the plank should correspond to the width of the installation niche!

1. Specify the attachment points of the anti-tip-brackets according to the section on "Installation dimensions".
2. Attach the anti-tip-brackets completely. Be sure screws hold tight.



Important notes for fastening with dowels and screws:

Not recommended for use in light-weight masonry material such as cinder block.

Not recommended for use in new concrete which has not had time to cure.

2. Attaching an alternative anti-tip-device

Important note:

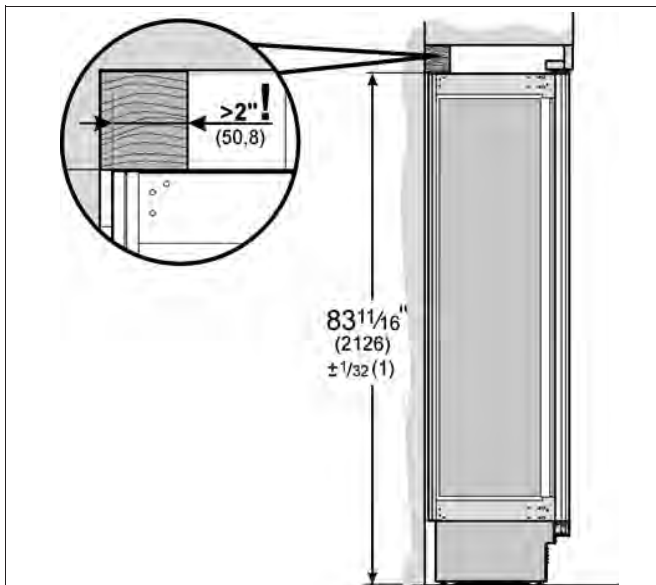
If the anti-tip brackets cannot be attached securely, an alternative anti-tip-device can be attached. However, ensure that there is no play between the appliance and the anti-tip-device. If possible, always screw the wooden beam to existing studs on the rear panel of the installation enclosure.

1. Saw the wooden beam (cross section min. 3" x 4") to the required length.

Length is equal to the width of the installation enclosure!

Note:

- If the installation enclosure is deeper than the appliance, select a beam which has a larger cross section or attach 2 beams.
- The beam must cover the appliance by at least 2" (50.8 mm).



2. Mark the installation height (lower edge of the beam) on the rear panel of the installation enclosure.
3. Select screws according to the thickness of the wooden beam: length = min. 2.5 x beam thickness, diameter #12 or #14.

Note:

Choose the number of screws according to the installation enclosure width, thereby ensuring that the beam can be attached securely.

4. Depending to the subsurface:

Locate wall studs in the rear of the installation enclosure and accordingly transfer their location to the wooden beam

or

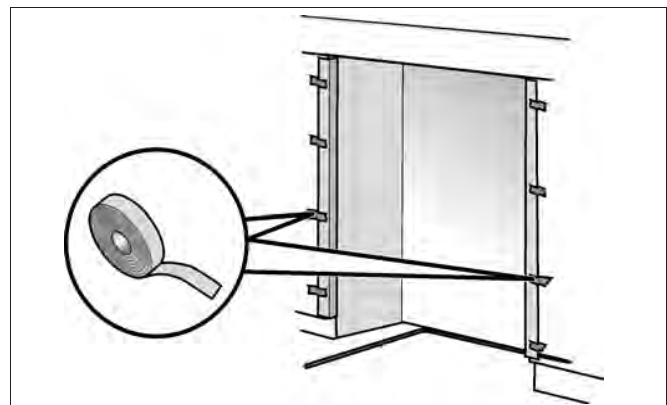
fasten suitable dowel into the rear wall.

5. Predrill the wooden beam.
6. Attach the wooden beam to the rear panel of the installation enclosure.



3. Attaching an edge protection

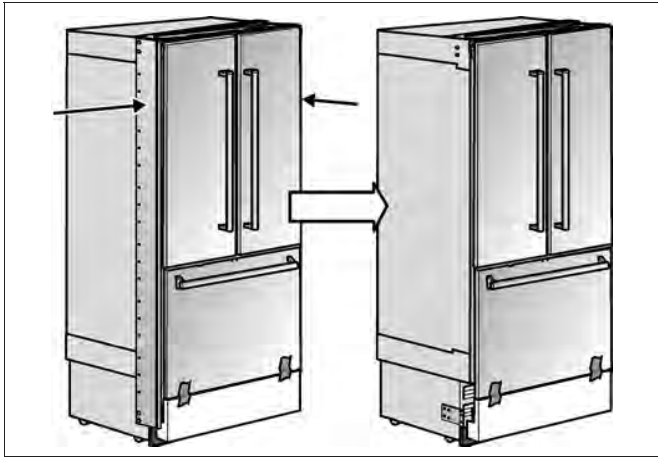
To protect the edges of the installation enclosure, it is recommended to attach edge protection made of a suitable material.



A

4. Remove the frame

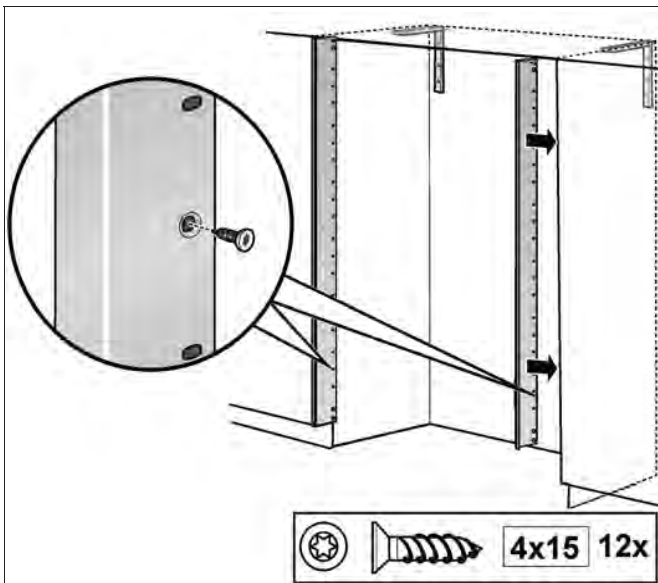
If the installation is desired without the frame parts, they can be removed after losing the screws.



It is also possible to attach the frame parts directly to the installation enclosure.

Note:

The frame parts have different hole shapes. Use the chamfering holes to attaching.

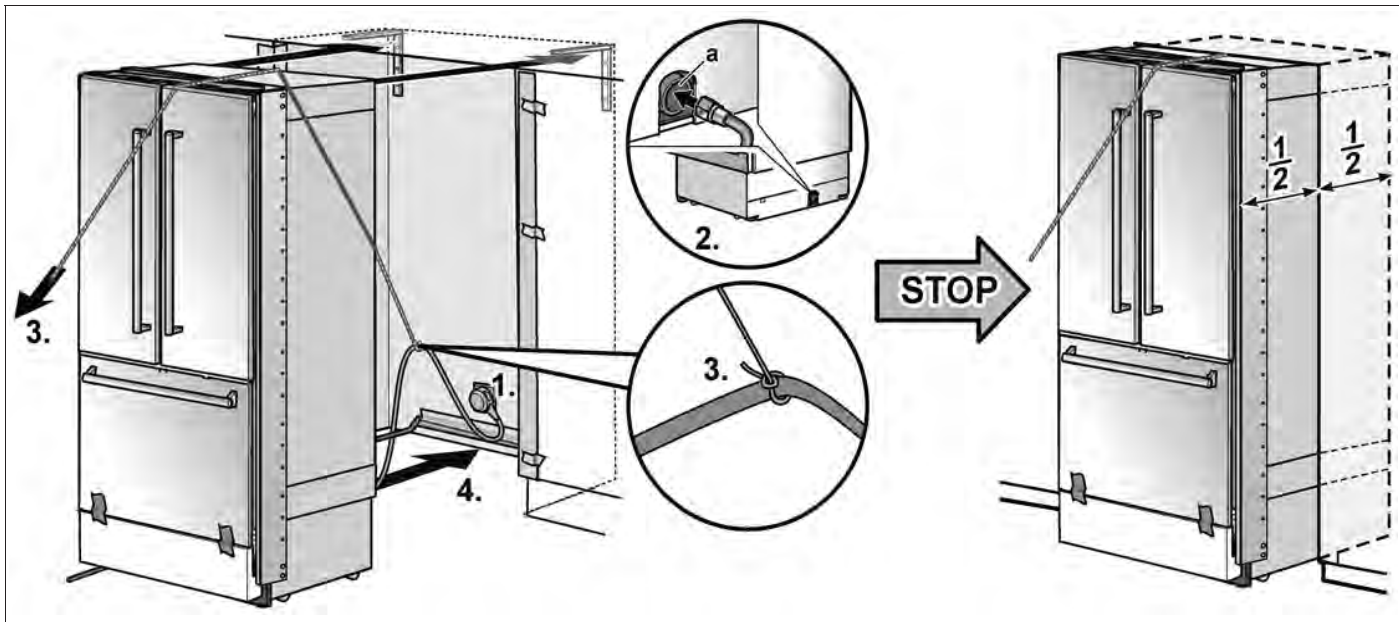


These is a special installation step. Instructions are provided after section B.

- Connecting the water, see "Preparing to connect the water".

5. Pushing the appliance into the installation enclosure

A



⚠ CAUTION:

Caution when pushing the appliance into the installation enclosure. Do not damage the water line or power cord.

Note:

When the floor or the appliance is not leveled in comparison to the installation enclosure adjust height adjustable wheels before you move the appliance into the installation enclosure.

1. Put the mains plug into the socket.
2. Push the water line into the guard tube (a) at the rear of the appliance.

⚠ WARNING:

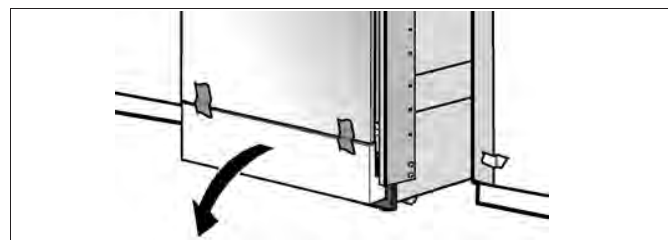
Be careful, otherwise people who are helping may be injured or the appliance may be damaged! The appliance may tip over while the water line is pushing into the guard tube (a).

3. To prevent the power cord from becoming caught, tie a piece of string to the middle of the power cord and feed forwards over the top of the appliance. When pushing in the appliance, pull the cable upwards. Take care not to pinch the power cord.

or

Using adhesive tape, tape the power cord to the floor centrally behind the appliance approx. 15" (380 mm) away from the rear panel of the installation enclosure.

4. Carefully push the appliance **to the half** into the installation enclosure.
5. Remove transportation protection device from the underside of the freezer compartment drawer.

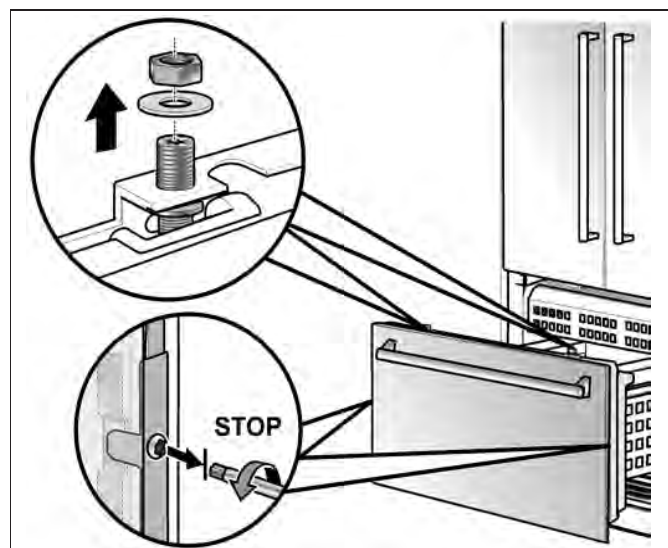


6. Loosen and unscrew nuts on the top of the drawer.

Note:

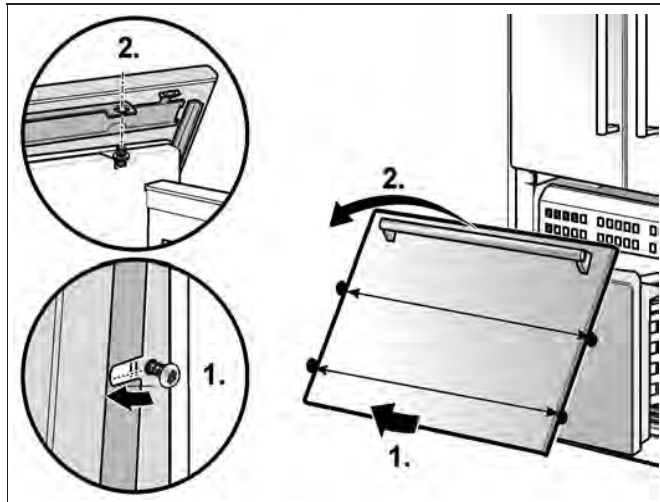
However, do not turn the threaded bolts, otherwise the door will no longer be aligned.

7. Loosen the screws on the left and right fixing brackets. Do not unscrew the screws!

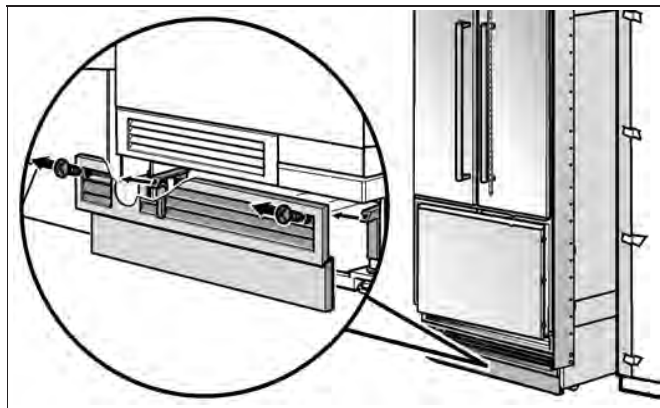


A

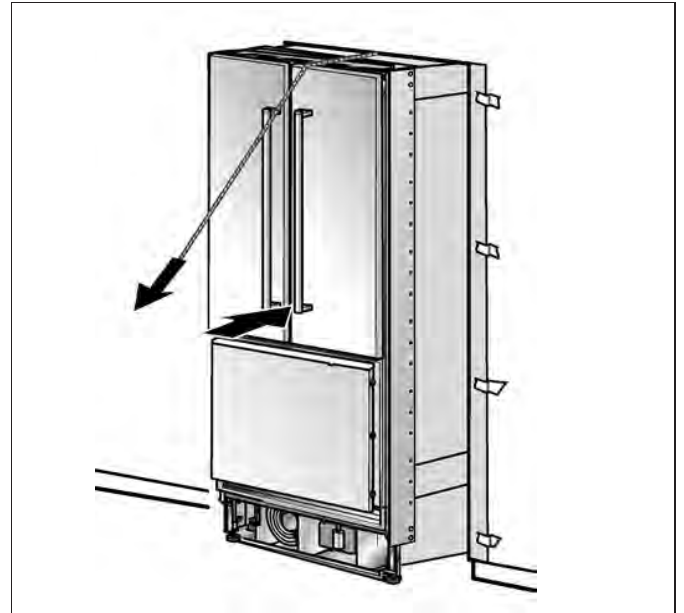
8. Pull the bottom of the stainless steel front panel away from the door to remove the fixing brackets from the screws. Then lift the door off the threaded bolts.



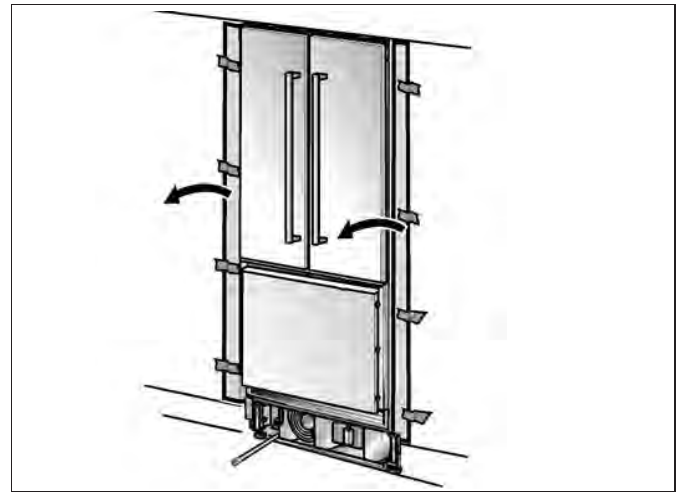
9. Place fixing brackets only loosely into the plates. Ensure that you do not lose them.
10. Remove base panel from the appliance.



11. Carefully push the appliance into the installation enclosure.
- Push in the appliance until the frame is situated on the installation enclosure walls (if not demounted before).
- Pull the string to prevent the power cord from becoming caught.



12. Remove edge protection (if attached).

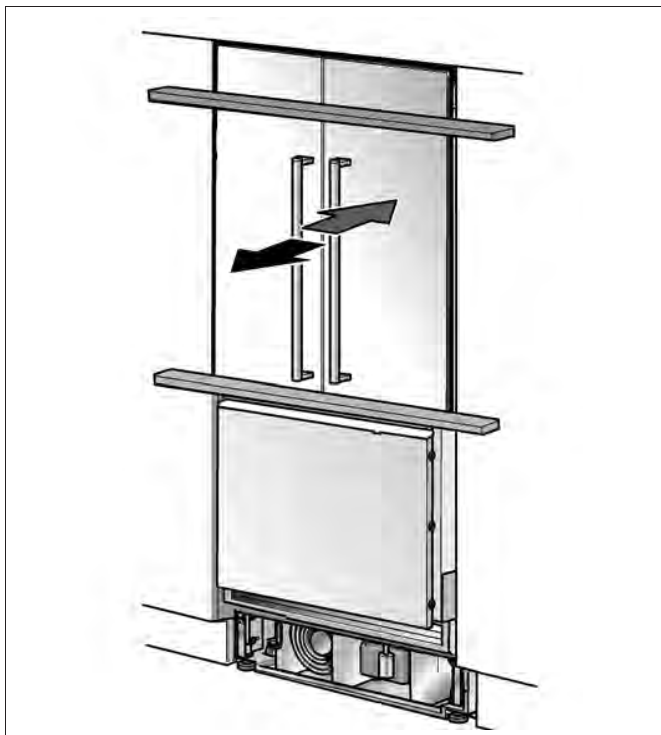


1. Aligning the appliance in the installation enclosure

Note:

- To ensure that the appliance functions correctly, it must be set perfectly levelled.
- Do not twist or jam the appliance inside the installation enclosure! When adjusting the height-adjustable feet, proceed gradually: Always alternate between left and right, etc.
- For easier adjustment of the rear feet take the weight off by slightly tilting the appliance forward.
- Do not bend the appliance against the anti-tip-brackets.

1. Align the appliance with the cabinet fronts.

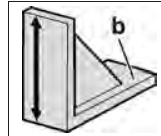


The height-adjustable feet at the front and rear can all be adjusted from the front.

Front: with open-ended wrench $\frac{1}{2}$ "
(Width across flats 13 mm)

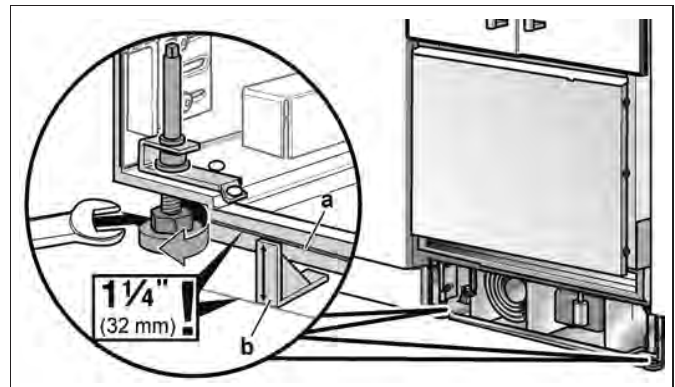
Rear: with $\frac{5}{16}$ " (8 mm) hex nut driver via flexible shaft.

The mark (a) attached at the appliance base is used as a standard gage for height adjustment. When adjusting the height, align this mark at a height of $1\frac{1}{2}$ " (32 mm) above the floor. It is very important to comply with this dimension for the subsequent alignment of the furniture fronts.

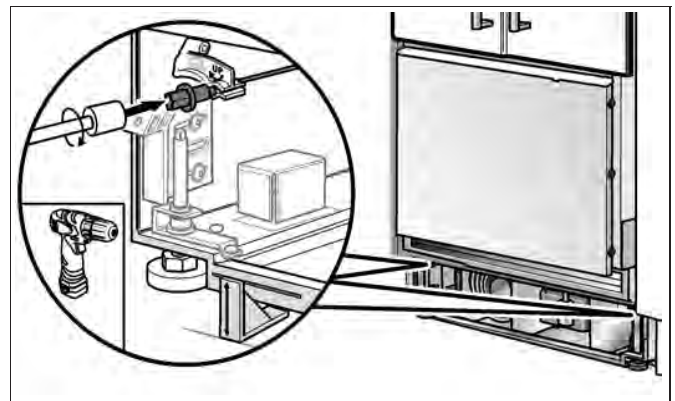


The height adjustment gauge (b) is used to set this height correctly. The upper edge of the gauge must be in alignment with the mark on the appliance.

2. Unscrew the feet at the front of the appliance until the mark (a) on the appliance is in alignment with the upper edge of the height adjustment gauge (b).



3. Align the appliance vertically using the feet at the back. Use a level!



B

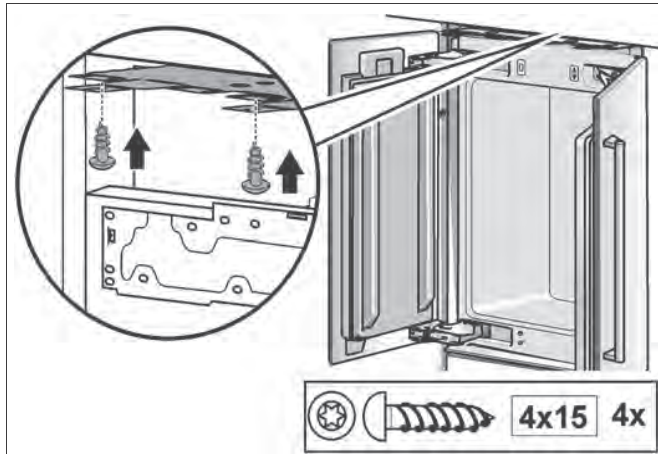
2. Attaching the appliance to the top of the installation enclosure

B

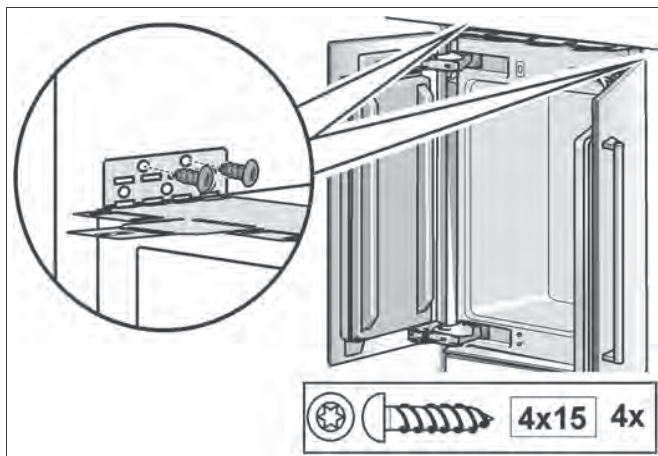
Note:

It is essential to attach the appliance to the top of the installation enclosure.

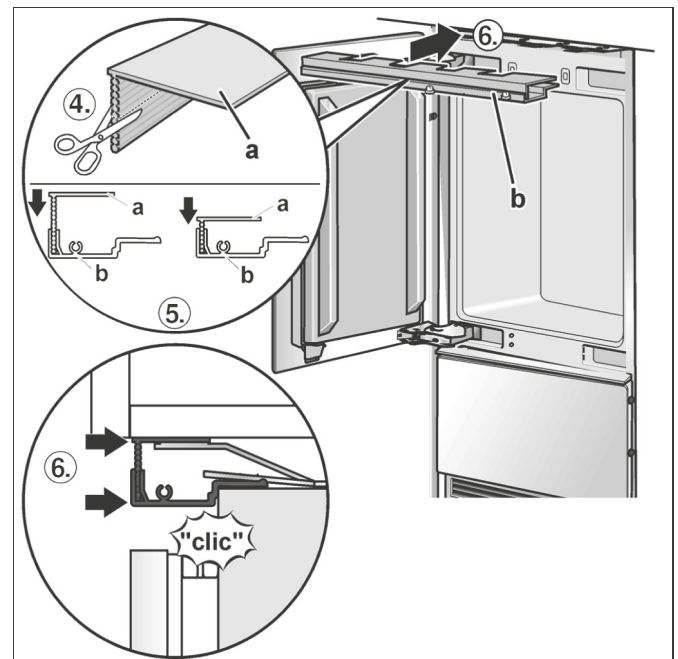
1. Screw the attachment plate lugs (top) to the overhead furniture.
2. If there is a fairly large gap above the appliance, fit a wooden beam above the appliance, ensuring that the wooden beam fits the gap exactly.



3. If there is enough room on the top of the appliance fix the attachment plate side lugs (top) to the side of the enclosure.

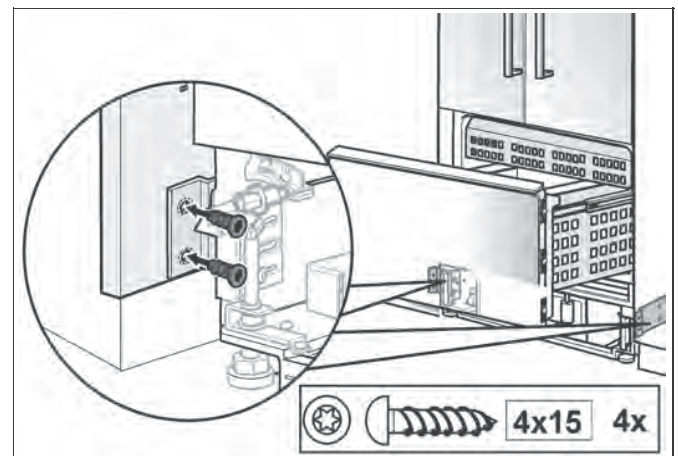


4. Shorten the fitting strip (a), to fill the gap.
Note: The appliance will be damaged if the fitting strip is too long.
5. Press fitting strip (a) into the cover strip.
6. Attach the cover strip (b) to the attachment plate (top).



3. Attaching the appliance to the side of the installation enclosure

1. Open the freezer compartment drawer.
2. Screw the fastening brackets to the sidewall of the installation enclosure. Screws through the holes of the frame.

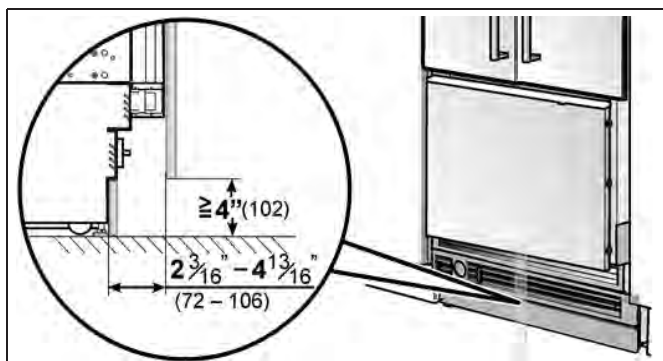


4. Attaching the toe kick panel

Note:

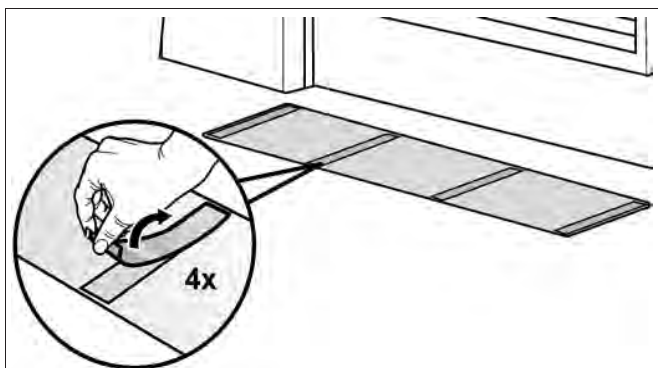
Risk of damage to the appliance. Do not cover ventilation slots in the base panel.

Nominal dimensions to be observed:

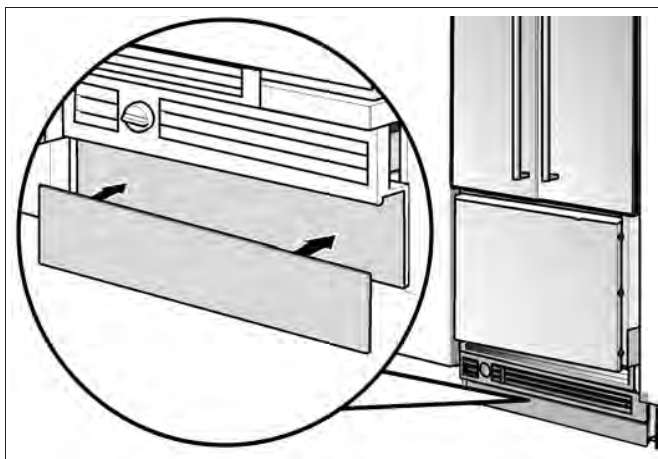


Stainless steel panel (accessory)

1. Attach the base panel to the appliance (do not screw on).
2. Remove the protective film from the adhesive pads.



3. Fit the toe kick panel to the base panel and press firmly into place.



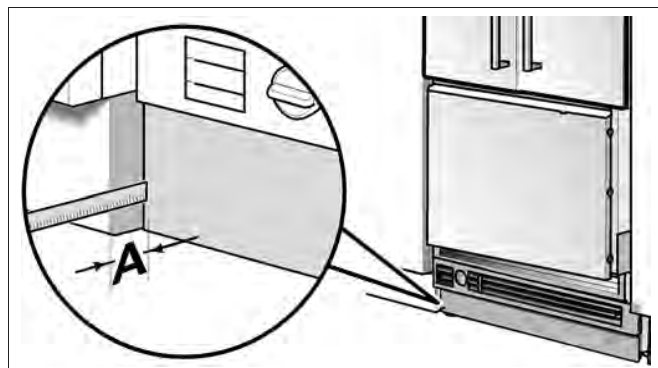
Wooden panel

1. If required, shorten wooden panel to the required length.
2. Screw wooden panel to the base panel from behind. There are already screw holes in the base panel.

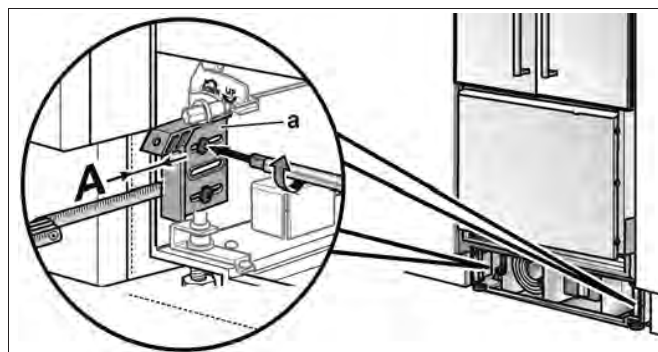
B

5. Aligning the base panel

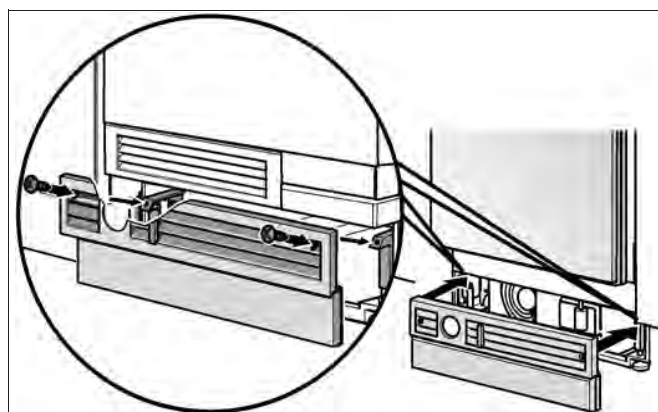
1. Put on the base panel (do not screw on) and measure the difference in depth **A** between the base panel and toe kick panel of the adjacent cabinet.



2. Remove the base panel.
3. Adjust the brackets (a) to the dimensions **A** and tighten.



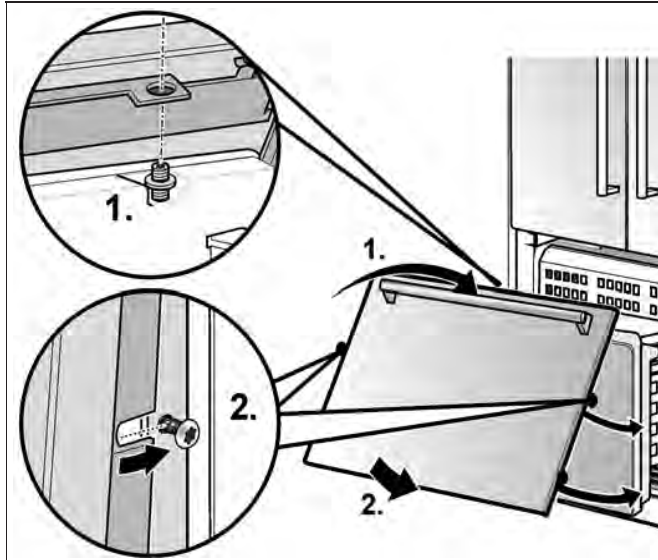
4. Attach the base panel.



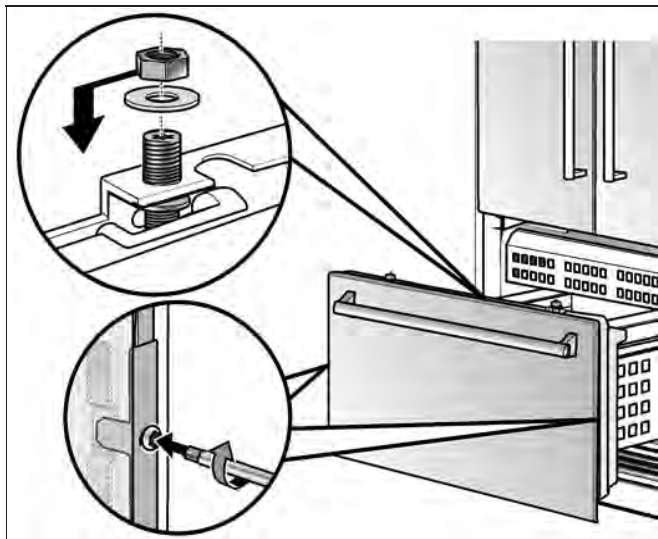
6. Attaching stainless steel front panel to the drawer

B

1. Hang stainless steel front panel over the double threaded bolts.
2. Lower door panel and push the fixing brackets down over the bracket screws.

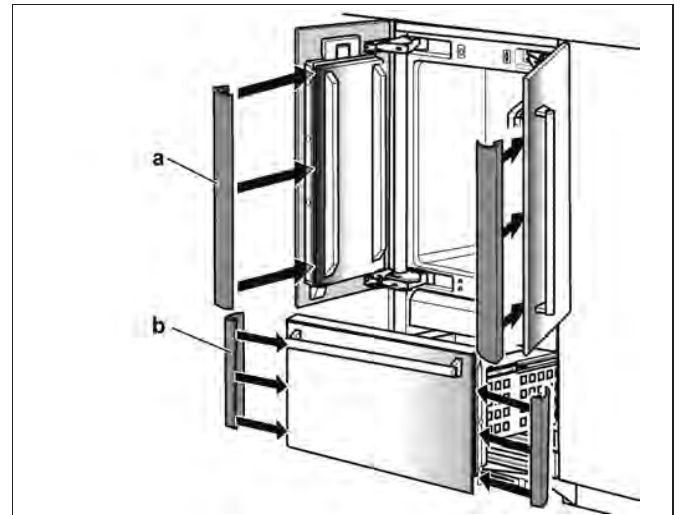


3. When the freezer compartment door is closed, check the depth of the stainless steel front panel with respect to the adjacent furniture front panels. If the depth alignment is correct, tighten the screws on the fixing brackets.
4. Screw nuts onto the threaded bolts on top of the door. Do not tighten yet.
5. Check lateral alignment of the stainless steel front panel. If the lateral alignment is correct, tighten the nuts.

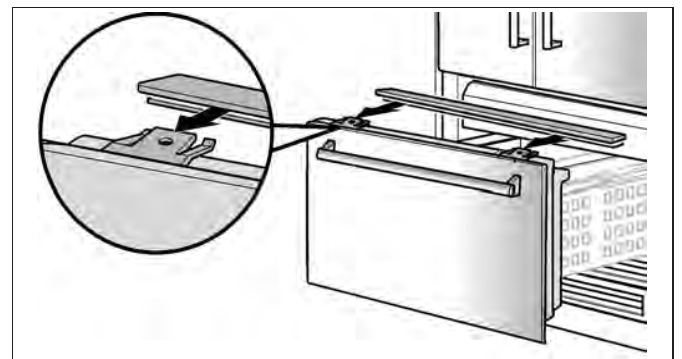


7. Attaching the strips

1. Attach the cover strips (a) & (b) on both vertical sides of the doors and the freezer drawer.



2. Insert the cover plate on the freezer compartment door.

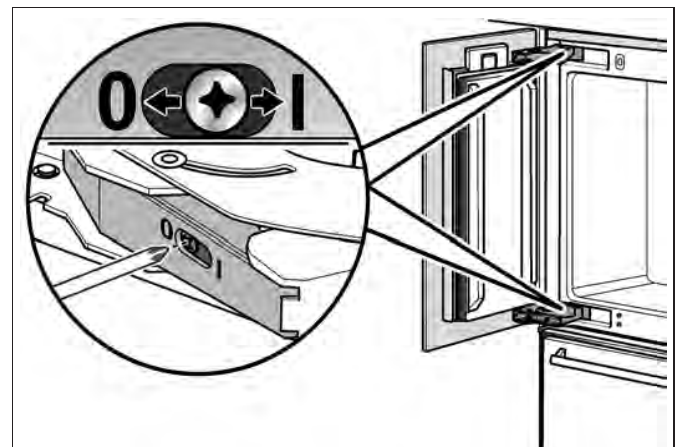


8. Adjusting the door spring

Rotate the adjusting screw with a cross-head screwdriver.

I = maximum spring tension

0 = no spring tension



Special installation

Preparing to connect the water

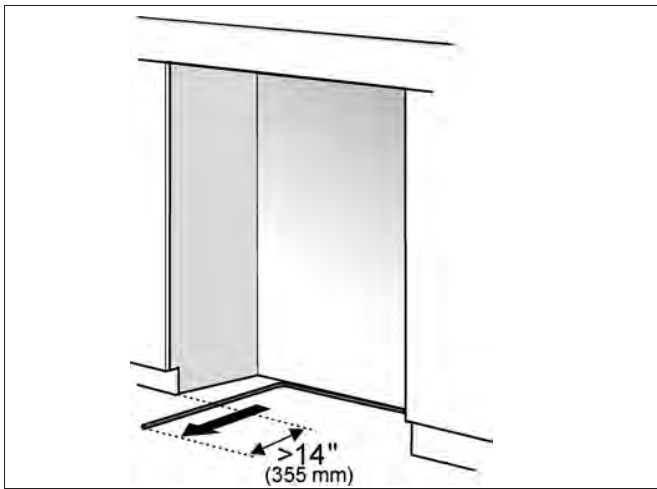
(only for appliances which require a water connection)

Note:

Turn off the main water tap to prevent damage caused by leaking water.

1. Attach the water line to the shut-off valve according to the instructions supplied by the manufacturer of the ice maker installation kit.
2. Install the water line.

Always observe the indicated dimensions to prevent damage to the water line when pushing in the appliance.

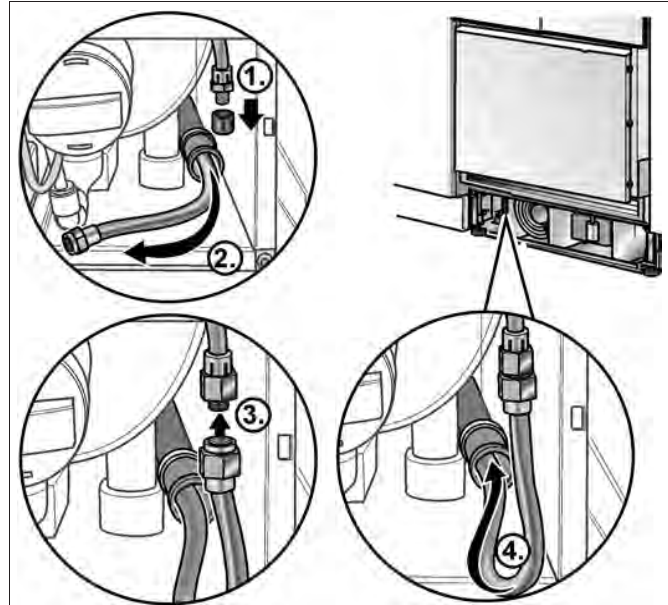


Connecting the water to the appliance

Note:

When bending the water line, do not kink it, otherwise there is a **risk of leaks and water damage**.

1. Remove the cap from the appliance connection (1.).
2. Bend the water line according to the location of the connection on the appliance (2.).
3. Push the union nut and seal onto the water line.
4. Push the end of the water line into the appliance connection and screw on the union nut (3.). Tighten hand-tight.
5. Using the open-ended wrench, tighten the union nut. Do not overturn!
6. Push back the water line into the guard tube as far as possible (4.).



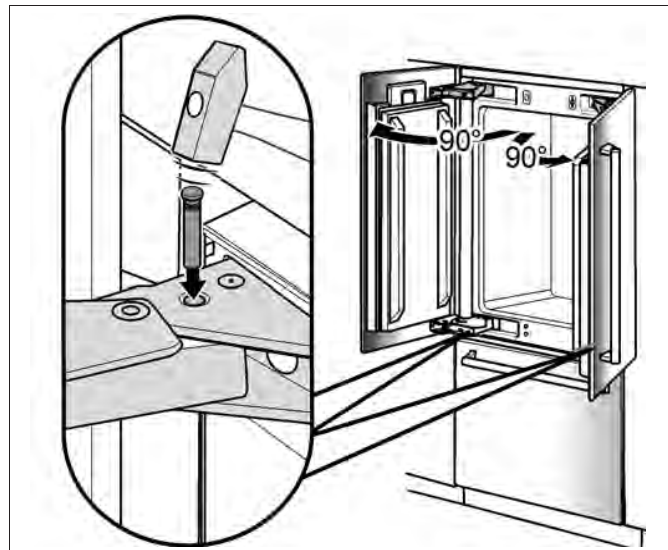
7. Open the shut-off valve and main water tap.
8. Check the connection on the shut-off valve and on the appliance for leaks.
9. Close the shut-off valve.

Adjusting the door opening angle

Depending on the installation situation, it may be necessary to adjust the door opening angle. A door opening angle of 115° has been set at the factory.

To adjust the door opening angle to 90°:

1. Open door to 90°.
2. Insert the banking pin through the boreholes which are now vertically aligned and drive in with a hammer.



Sommaire

INSTRUCTIONS DE SÉCURITÉ IMPORTANTES	25
Options d'installation	26
Appareils individuelle	26
Appareils individuels avec séparation	26
Appareils individuels à l'extrémité des cuisines intégrées	26
Installation	27
Local d'installation	27
Installation stable	27
Cavité d'installation	27
Meubles	27
Sol	27
Alignement de l'appareil	27
Raccordement à l'alimentation électrique	28
Instructions de raccordement à la terre	28
Procédure additionnelle de mise à la terre	28
Raccordement de l'eau	28
Dimensions d'installation	29
Accessoires et outillage requis	30
Accessoires fournis	30
Accessoires en option	30
Autres accessoires requis	30
Autres	30
Outils	30
Instructions d'installation	31
1. Vérification de la cavité d'installation	31
2. Enlèvement de l'emballage	31
3. Transport de l'appareil	32
4. Préparation du montage	33
5. Installation spéciale	33

A	1. Fixation des cornières anti-renversement	34
	2. Fixation d'un dispositif anti-renversement alternatif	35
	3. Fixation du protège-bords	35
	4. Retirer le cadre	36
	5. Pousser l'appareil dans la cavité d'installation	37

B	1. Alignement de l'appareil dans la cavité d'installation	39
	2. Fixation de l'appareil contre le sommet de la cavité	40
	3. Fixation de l'appareil individuel contre les côtés de la cavité	40
	4. Fixation du bandeau de socle	41
	5. Alignement du bandeau de socle ...	41
	6. Montage de la façade en acier inoxydable contre le tiroir du compartiment congélateur	42
	7. Fixation des couvercles	42
	8. Changement du ressort de porte	42

Installation spéciale 43



Préparation du raccordement de l'eau	43
Raccordement de l'eau à l'appareil	43
Ajustage de l'angle d'ouverture de porte	43

INSTRUCTIONS DE SÉCURITÉ IMPORTANTES

AVERTISSEMENT

Le centre de gravité de cet appareil se trouve assez haut dans celui-ci. Il faut donc sécuriser l'appareil pour l'empêcher de basculer en avant.

Un protection anti-renversement est nécessaire.

Maintenez les portes de l'appareil fermées jusqu'à ce qu'il ait été installé et sécurisé conformément aux instructions d'installation.

Vu le poids et la taille de l'appareil et pour réduire le risque de dommages corporels et d'endommagement du produit, IL FAUT DEUX PERSONNES POUR RÉALISER L'INSTALLATION CORRECTEMENT.

Cet appareil doit être correctement relié à la terre. Voir la section sur le «Raccordement à l'alimentation électrique».

Veillez n'utiliser cet appareil qu'aux fins pour lesquelles il a été prévu.

Réparez ou remplacez immédiatement les cordons d'alimentation électrique qui se sont usés ou sont endommagés.

Débranchez l'appareil ou ramenez le disjoncteur en position éteinte avant de nettoyer ou d'effectuer des réparations.

Les réparations sont réservées à un technicien qualifié du service après-vente.

REMARQUE

L'installation de cet appareil oblige à détenir des connaissances de bases en mécanique, en menuiserie et en plomberie.

La responsabilité d'une installation adéquate revient à l'installateur.

Une défaillance du produit due à son installation incorrecte n'est pas couverte par la garantie dont bénéficie l'appareil.

Veillez vous reporter au manuel de l'utilisateur pour connaître les informations sur la garantie.

IMPORTANT

Veillez conserver ces instructions pour usage par l'inspecteur local. Veuillez observer tous les règlements et ordonnances.

Remarque à l'intention de l'installateur –
Veillez bien à laisser les présentes instructions au client.

Remarque à l'intention du consommateur –
Veillez conserver les présentes instructions avec votre manuel de l'utilisateur. Ils vous permettront de vous y reporter ultérieurement.

Générale

Les présentes instructions d'installation sont destinées à être utilisées par des installateurs qualifiés. Tous les raccordements de l'eau, de l'électricité et à la terre doivent se conformer aux règlements et ordonnances locaux, ils doivent être réalisés par du personnel sous licence lorsque nécessaire. En l'absence de réglementation locale :

- Aux USA : en conformité avec le National Electric Code, ANSI/NFPA70 en son édition la plus récente, avec les règlements des États et municipaux et/ou les règlements locaux.
- Au Canada : en conformité avec le Code canadien de l'électricité C22.1 en son édition la plus récente, avec les règlements des provinces et municipaux et/ou les règlements locaux.

Definitions

AVERTISSEMENT:

Cette mention précède une instruction assortie d'un danger de mort ou de blessures graves si vous ne respectez pas son contenu

ATTENTION:

Cette mention précède une instruction assortie d'un risque de blessures légères ou de dégâts si vous ne respectez pas son contenu.

Remarque:

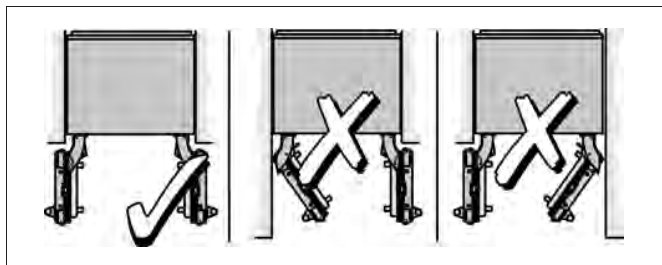
Cette mention sert à attirer votre attention sur un aspect particulier.

Options d'installation

Il y a plusieurs options d'installation différentes.

Elles sont limitées seulement par l'agencement de votre cuisine et par la fonction du bandeau protège-doigts.

Appareil individuel



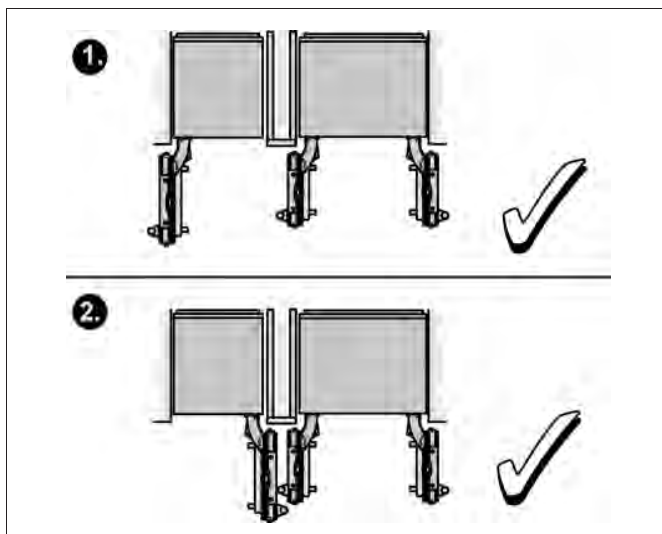
Appareils individuels à l'extrémité des cuisines intégrées

Si un côté de l'appareil est visible, il faudra utiliser un panneau latéral.

Le panneau latéral doit être fermement fixé contre le mur, le sol ou un placard/le appareillages situés au-dessus avant de placer l'appareil dans la cavité.

Pour dimensionner le panneau latéral, basez-vous sur les dimensions du panneau opposé formant la cavité. Pendant l'installation, veillez à ce que la cavité reste à angles droits et qu'elle ait la taille exacte.

Appareils individuels avec séparation



- Lorsque vous dimensionnez la séparation affectée à la configuration 4 ci-dessus, notez l'épaisseur de la façade des meubles pour empêcher des dégâts lors de l'ouverture simultanée des portes.
- Utilisez le kit de chauffage pour combinaison extrême, si l'espace vide entre les appareils est inférieur à 6" (160 mm). Voir la section consacrée aux «Accessoires en option».
- Épaisseur minimum de la séparation $\frac{5}{8}$ " (16 mm).

Installation

AVERTISSEMENT:

N'installez pas cet appareil :

- en plein air,
- dans un environnement où de l'eau goutte,
- dans des locaux où règne une température inférieure à 32 °F (0 °C).

L'appareil est très lourd.

BottomFreezer 36": Le poids à vide env.
430 lbs/195 kg

Local d'installation

Il faudra installer l'appareil dans une pièce sèche et bien aérée.

La température ambiante ne doit pas descendre en dessous de 55 °F (13°C) ni monter au-dessus de 110 °F (43 °C), faute de quoi l'appareil risque de mal fonctionner.

L'emplacement ne doit pas être directement exposé aux rayons solaires ou proche de sources de chaleur tels qu'une chaudière, un radiateur, etc. S'il n'y a pas moyen d'éviter une installation à proximité d'une source de chaleur, utilisez un panneau isolant approprié ou respectez les distances minimum suivantes par rapport à la source de chaleur :

- 1 1/4" (30 mm) d'une cuisinière électrique,
- 12" (300 mm) d'une chaudière à combustible solide.

Installation stable

L'appareil est très lourd et tend à basculer en avant lorsque vous ouvrez la porte.

N'ouvrez jamais la porte tant qu'un moyen empêchant l'appareil de se renverser n'a pas été installé.

La méthode la plus sûre pour installer l'appareil dans une position stable consiste à utiliser les dispositifs anti-renversement livrés d'origine.

Si la cavité d'installation est suffisamment solide et si l'appareil a été fixé de manière sûre contre les parois supérieure et latérales de cette cavité, cela lui apportera une stabilité additionnelle. Prérequis indispensable à cela : il faut que la cavité d'installation soit fermement fixée contre le mur arrière !

En cas de doute, contactez un architecte ou un expert en bâtiment.

Cavité d'installation

Remarque:

Nous suggérons instamment de former la limite supérieure de la cavité à l'aide d'un matériau dur (épaisseur 5/8" (16 mm)).

Assurez-vous que les parois latérales de la cavité sont parfaitement alignées ! Si pour certaines raisons vous créez un placard-cavité séparé, veillez à ce que la zone du retour de meuble fasse au moins 4" (100 mm) de profondeur.

Pour une installation sans incident de l'appareil et pour qu'ensuite la façade du meuble soit esthétique, il est important que la cavité d'installation ait bien les dimensions spécifiées.

Assurez-vous en particulier que la cavité présente des angles droits.

Vous pouvez le vérifier avec des moyens appropriés, par exemple un niveau à bulle, des mesures en diagonale, etc.

Meubles

Le nouvel appareil est vissé de manière sûre contre des meubles/appareillages adjacents ou situés au dessus de lui.

Pour cette raison, il est essentiel que tous les meubles/appareillages soient fixés de manière sûre contre le sol ou le mur à l'aide de moyens appropriés.

Sol

AVERTISSEMENT:

Un appareil plein est très lourd. Portance du sol, reportez-vous suivant :

BottomFreezer 36" approx. 1200 lbs/540 kg

Pour être sûr que l'appareil a été installé de façon sûre et qu'il fonctionne correctement, le sol doit être plat et horizontal.

Le sol doit être constitué d'un matériau dur et rigide.

La surface d'installation doit se trouver au même niveau que le reste de la pièce (aucune mesure haut ou le bas).

Compte tenu du poids élevé de l'appareil lorsqu'il est plein, il faut que le sol offre la portance nécessaire.

En cas de doute, contactez un architecte ou un expert en bâtiment.

Alignement de l'appareil

Pour assurer que l'appareil fonctionne correctement, il faut le niveler de façon correcte.

Si l'appareil n'est pas nivelé, de l'eau risque de couler du distributeur de glace, les glaçons risquent d'être irréguliers ou les portes risquent de ne pas se fermer correctement.

Raccordement à l'alimentation électrique

AVERTISSEMENT:

Risque de choc électrique

- Branchez la fiche mâle à 3 broches de l'appareil dans une prise à 3 orifices femelles reliée à la terre.
- Ne retirez pas la broche de raccordement à la terre.
- N'utilisez pas d'adaptateur
- N'utilisez pas de prolongateur.

Le non-respect de ces instructions s'assortit d'un danger de mort, d'incendie ou de choc électrique.

Respectez toutes les réglementations de votre État et locales, ou le NEC.

L'appareil est livré avec un cordon d'alimentation électrique à trois fils et figurant dans la liste UL aux USA.

Cet appareil requiert d'être raccordé à une prise femelle à trois fils.

L'installation de cette prise est une opération exclusivement réservée à un électricien agréé.

Il faut que la prise soit protégée par un coupe-circuit ou un fusible supportant 15 A.

Appareil	Ampérage instantané maximal
BottomFreezer 36"	6.0 ampères

En ce qui concerne la position d'installation de la prise femelle, veuillez vous reporter à la section « Dimensions d'installation ».

Instructions de raccordement à la terre

Cet appareil devra être relié à la terre. En cas de dysfonctionnement ou de panne, le raccordement à la terre réduit le risque de choc électrique en fournissant au courant un chemin de moindre résistance électrique.

AVERTISSEMENT:

Un branchement incorrect du fil de raccordement à la terre peut occasionner un choc électrique. Si vous n'êtes pas sûr que l'appareil est correctement relié à la terre, faites-le vérifier par un électricien agréé ou un technicien du service après-vente.

Procédure supplémentaire de mise à la terre

Certaines réglementations locales peuvent exiger un raccordement à part à la terre. En pareils cas, vous devrez acheter séparément les accessoires requis : le fil de terre, la bride et la vis.

Ne raccordez jamais l'appareil à des conduites en plastique, conduites de gaz ou conduites d'eau.

Raccordement de l'eau

ATTENTION:

Ne raccordez l'appareil qu'à l'eau potable !

Il faut un raccordement à l'eau froide pour que le distributeur automatique de glaçons puisse fonctionner. La pression de l'eau doit être comprise entre 25 et 120 psi (1,72 et 8,25 bar).

Dans le cadre du raccordement de l'eau à l'appareil, il faut installer une vanne de fermeture séparée.

N'utilisez jamais de vanne autotaraudeuse !

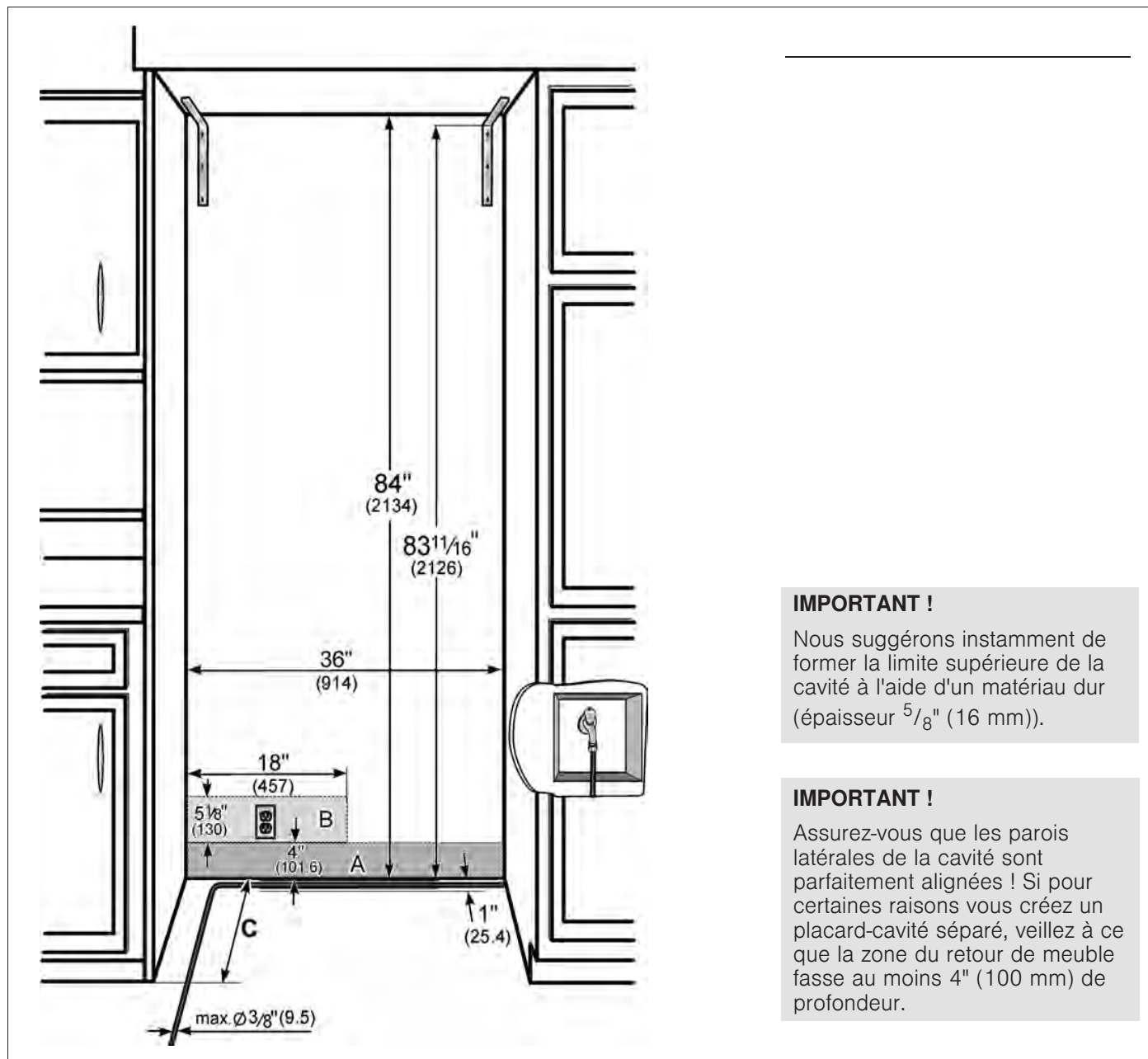
Cette vanne de fermeture ne doit pas se trouver derrière l'appareil. Il est recommandé de la placer directement à côté de l'appareil (unité de base) ou en tout autre endroit facile d'accès.

Lors du raccordement de l'eau, examinez les zones d'installation admises pour la conduite. En ce qui concerne les zones d'installation permises et les dimensions, reportez-vous à la section intitulée « Dimensions d'installation ».

Il est possible de placer la conduite d'alimentation sur le côté droit (a), sur le côté gauche (b) ou en dessous (c).

Diamètre externe maximum de la conduite d'eau (sans les robinetteries) : $\frac{3}{8}$ " (9,5 mm).

Dimensions d'installation



IMPORTANT !

Nous suggérons instamment de former la limite supérieure de la cavité à l'aide d'un matériau dur (épaisseur $\frac{5}{8}$ " (16 mm)).

IMPORTANT !

Assurez-vous que les parois latérales de la cavité sont parfaitement alignées ! Si pour certaines raisons vous créez un placard-cavité séparé, veillez à ce que la zone du retour de meuble fasse au moins 4" (100 mm) de profondeur.

Légende :

A Représente la zone où installer le raccordement de l'eau.

Nous recommandons de placer la boîte à eau à côté de la cavité d'installation de façon à pouvoir l'atteindre, lors d'activités de maintenance, sans devoir désinstaller l'appareil. Si ce n'est pas possible, placez la boîte à eau dans la zone foncée.

B Représente la zone où installer le raccordement de l'électricité.

C Profondeur d'ouverture de la cavité, ceci dépendant de la configuration de la cuisine.

C = 24" (610 mm) minimum.

Accessoires et outillage requis

Accessoires fournis

- Instructions d'installation
- Instructions d'utilisation
- Kit d'installation

Accessoires en option

Kit de chauffage pour combinaison de base côte à côte BOHEATKIT10

Si l'espace vide entre les appareils est inférieur à 6" (160 mm)

Autres accessoires requis

Kit d'installation de distributeur de glaçons, conduite en cuivre de 1/4" de diamètre extérieur

Ce kit sert à raccorder les appareils qui ont besoin d'eau, par exemple pour alimenter un distributeur de glaçons.

Diamètre externe maximum de la conduite d'eau (sans les robinetteries) : 3/8" (9,5 mm).

Autres

- Escabeau
- Socle mobile, diable brouette
- Perceuse à percussion pour percer des trous dans le mur ou le sol
- Forets adaptés aux matériaux et de différentes dimensions
- Madrier (section minimum 3" x 4") à titre de protection alternative contre le renversement, d'une longueur correspondant à la cavité d'installation
- Vis à bois de différentes tailles
- Matériau mince (au maximum 1/16" (1.5 mm)) pour protéger le revêtement de sol (en linoléum par exemple) contre les dégâts
- Matériau approprié pour recouvrir et protéger les meubles (par ex. feuilles protectrices).
- Ruban adhésif

Remarque:

Avant l'utilisation, vérifiez si le ruban adhésif laisse des traces de colle sur les surfaces des pièces ! S'il en laisse, ne l'utilisez pas sur les surfaces de haute qualité.

Outils



Visseuse sans cordon



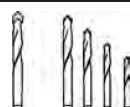
Embout Torx T20 / T30 + support magnétique



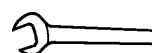
Tournevis Torx T20



Clé à pipe 5/16" (8 mm) pour écrou hexagonal



Forets à bois de différentes tailles



Clé à fourche 1/2", calibre 13



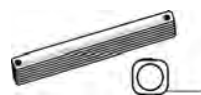
Pince multiprises



Clé anglaise



Cutter à lame ajustable



Mètre pliant, mètre à ruban métallique



Équerre



Niveau à bulle de 2' (60 cm) et 4' (1,2 m)

Instructions d'installation

La notice de montage suivante décrit les étapes de montage pour différents types d'appareils.

Pour cette raison et selon les circonstances, il peut arriver que le contenu des illustrations ne corresponde pas exactement avec les appareils réels.

La notice décrit les étapes de montage spécifiques à certains types d'appareils.

1. Vérification de la cavité d'installation

▲ ATTENTION:

Pour une installation sûre et sans contretemps, utilisez la check-list suivante :

1. Vérifiez le sol.
Suivez les instructions dans la section «Lieu d'installation».
2. Vérifiez la dimension de la cavité.
Suivez les instructions dans la section « Dimensions d'installation».
3. Vérifiez que la cavité présente des angles droits.
4. Vérifiez l'emplacement de la prise.
Respectez également les instructions dans la section « Raccordement à l'alimentation électrique », ainsi dans la section « Dimensions d'installation ».
5. Vérifiez l'emplacement du branchement de l'eau (uniquement pour les appareils équipés d'un distributeur de glaçons).
Respectez également les instructions dans la section « Raccordement de l'eau », ainsi dans la section « Dimensions d'installation ».
Vérifiez la fixation des meubles/appareillages adjacents. Toutes les pièces constitutives d'un meuble à proximité de l'appareil doivent être fixées de manière sûre contre le mur.
6. Vérifiez la fixation des meubles/appareillages adjacents. Toutes les pièces constitutives d'un meuble à proximité de l'appareil doivent être fixées de manière sûre contre le mur.
7. Vérifiez que les meubles/appareillages adjacents n'entreront pas en collision (angle d'ouverture de porte).

2. Enlèvement de l'emballage

▲ AVERTISSEMENT:

Soyez prudent, sinon les personnes qui vous aident risquent de se blesser et l'appareil risque quant à lui de s'endommager !

- L'appareil risque de se renverser pendant son déballage ou si vous ouvrez ses portes.
- L'appareil est très lourd.

Remarque:

Vérifiez si l'appareil présente des dégâts dus au transport.

Si l'appareil présente des dégâts visibles, ne l'installez pas. En cas d'incertitudes, veuillez prendre contact avec le revendeur.

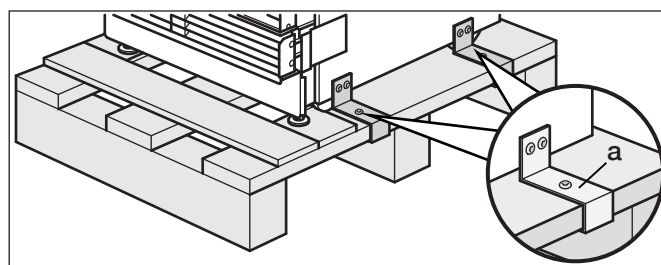
Pour protéger le sol contre les dégâts pendant l'installation :

1. Enlevez le carton. Utilisez le cutter avec prudence pour ne pas endommager les surfaces de l'appareil.
2. Placez sous l'appareil du carton d'emballage ou du contreplaqué.
3. Retirez les accessoires fixés contre l'extérieur de l'appareil.
Conservez les rubans adhésifs avec lesquels les accessoires d'origine étaient fixés contre l'appareil. Ils serviront plus tard à fixer les protège-bords contre les parois de cavité (voir section « **A** / 3. Fixation du protège-bords »).

Remarque:

N'enlevez pas la cale de transport située contre la face inférieure du tiroir du compartiment congélateur.

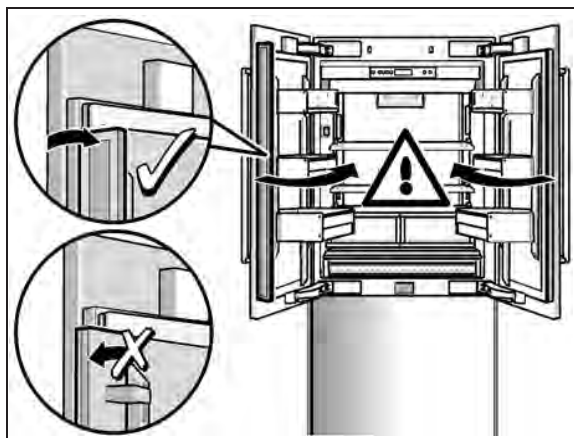
4. Détachez la cale de transport (a) et soulevez l'appareil de la palette – Attention, il est très lourd !



5. Ouvrez prudemment l'appareil – Attention, il risque de se renverser – et retirez les accessoires ainsi que la quincaillerie de montage présente à l'intérieur. Refermez la porte.

Remarque:

- N'enlevez les cales de transport, servant à protéger les tiroirs et casiers de rangement dans l'appareil, qu'après avoir achevé l'installation, car ces pièces risquent sinon d'être endommagées.
- Attention lors de la fermeture de la porte. Lors de la fermeture des portes, il faut plier le rail pliant fixé contre la porte du compartiment réfrigérateur gauche. Attention aux dommages de l'appareil !



3. Transport de l'appareil

⚠ AVERTISSEMENT:

Soyez prudent sinon les assistants risquent de se blesser ou l'appareil de s'endommager.

L'appareil est très lourd !

L'appareil fait 83¹/₈" (2126 mm) de haut. Si le transport en position debout n'est pas possible du fait de la configuration du lieu, il est possible de le transporter couché.

Remarque:

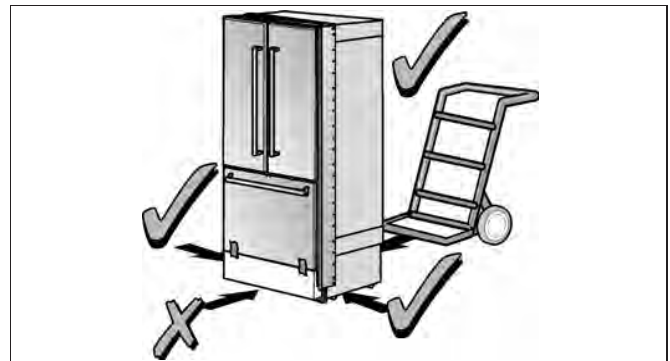
Ne soulevez pas l'appareil par les panneaux latéraux ! Risque d'endommagement !

Au moment de redresser l'appareil, respectez la hauteur minimum nécessaire sur le lieu d'installation, ainsi que le contenu du tableau suivant :

Redressement via le dos de l'appareil	Redressement via les panneaux latéraux de l'appareil
Hauteur minimum 86" / 2185 mm	Ne soulevez pas l'appareil par les panneaux latéraux !

Remarque:

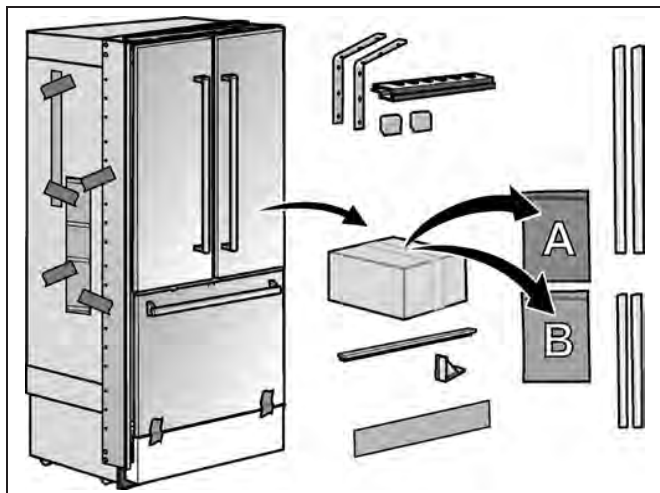
Appliquez toujours le moyen de transport au dos de l'appareil. Ne le passez jamais sous l'avant ou sous un côté de l'appareil. Vous risquez sinon d'endommager l'appareil.



1. Transportez l'appareil avec un moyen de transport approprié au lieu d'installation et à l'appareil (diable, chariot élévateur ou chariot à roulettes).
2. Sécurisez l'appareil pour empêcher son renversement pendant le transport.

4. Préparation du montage

Déballez la quincaillerie de montage et les accessoires. Pour simplifier l'installation, les paquets sont identifiés par les étiquettes A et B qui renvoient aux sections correspondantes du manuel.



5. Installation spéciale

Ce symbole indique des étapes de travail supplémentaires à effectuer avant de passer au chapitre suivant.

Les étapes d'installation spéciales sont décrites au-delà de la section B.



- Raccordement de l'eau, voir « Préparation du raccordement de l'eau » et « Raccordement de l'eau à l'appareil ».
- Tige butée de porte, voir « Ajustage de l'angle d'ouverture de porte ».

A

1. Fixation des cornières anti-renversement

⚠ AVERTISSEMENT:

Risque de blessures et d'endommagement !
Veillez à ce qu'il n'y ait aucun fil électrique ou conduite dans lesquels les vis risqueraient de pénétrer.

⚠ ATTENTION:

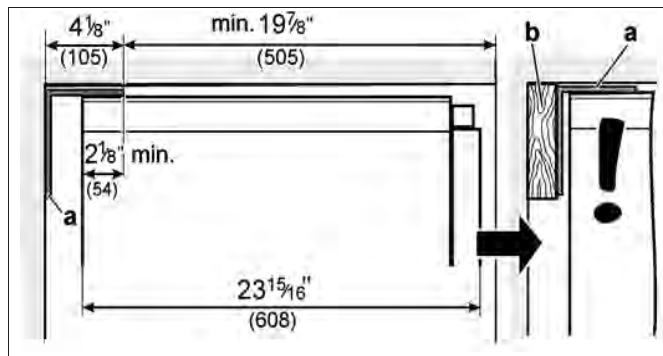
Risques de blessures !
Portez toujours des lunettes enveloppantes ou d'autres dispositifs et équipements de protection nécessaires lorsque vous installez des ancrages ou travaillez avec des ancrages.

Remarque:

- Chaque appareil requiert 2 cornières anti-renversement.
- Le kit fourni contient des vis de fixation destinées à différentes applications. Sélectionnez les vis de fixation conformément aux conditions locales.

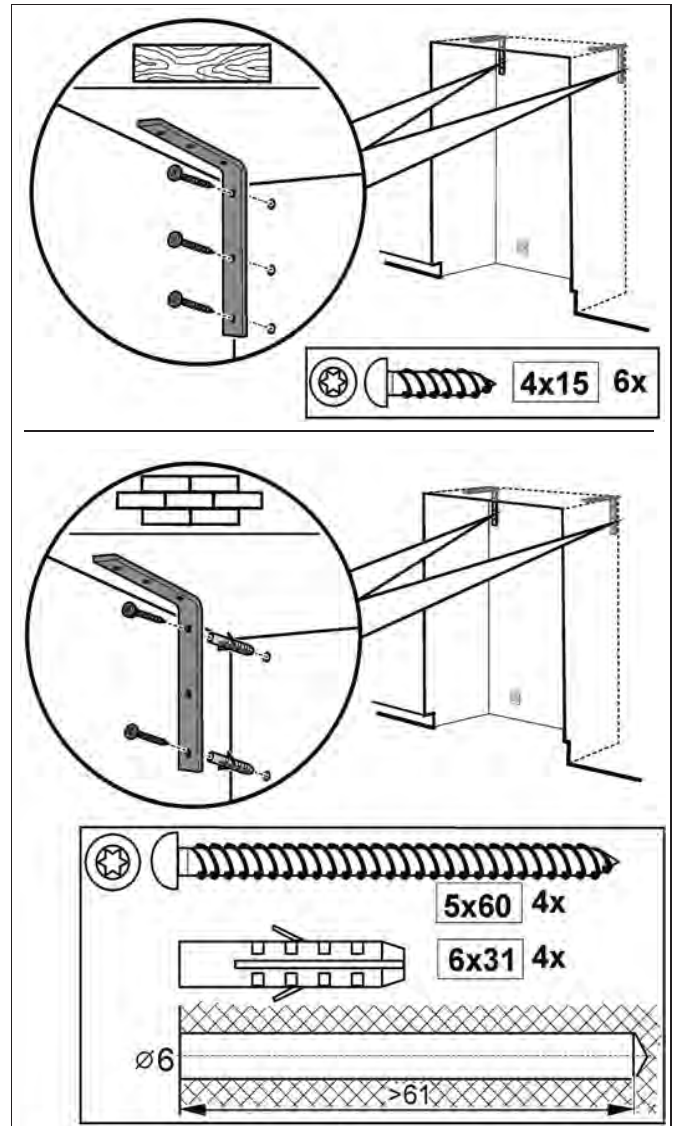
Pour retenir les appareils sûrement à la verticale, les cornières anti-renversement (a) doivent les retenir par une longueur d'au minimum $2\frac{1}{8}$ " (54 mm).

Si les impératifs structurels empêchent de respecter cette longueur minimum, il est malgré tout possible d'y parvenir en intercalant un dispositif compensateur derrière la cornière anti-renversement, une planche suffisamment épaisse (b) par exemple.



Il faudrait que la longueur de la planche corresponde à la largeur de la cavité d'installation !

1. Définissez les points de fixation des cornières anti-renversement.
Déterminez les dimensions détaillées conformément à la section « Dimensions d'installation ».
2. Fixez complètement les cornières anti-renversement. Assurez-vous que les vis tiennent fermement.



Remarques importantes visant la fixation par chevilles et vis :

Ancres déconseillées dans la maçonnerie légère ou dans des matériaux tels que les parpaings ou les briques.

Ancres déconseillées dans le béton neuf qui n'a pas encore eu le temps de prendre.

2. Fixation d'un dispositif anti-renversement alternatif

Remarque important :

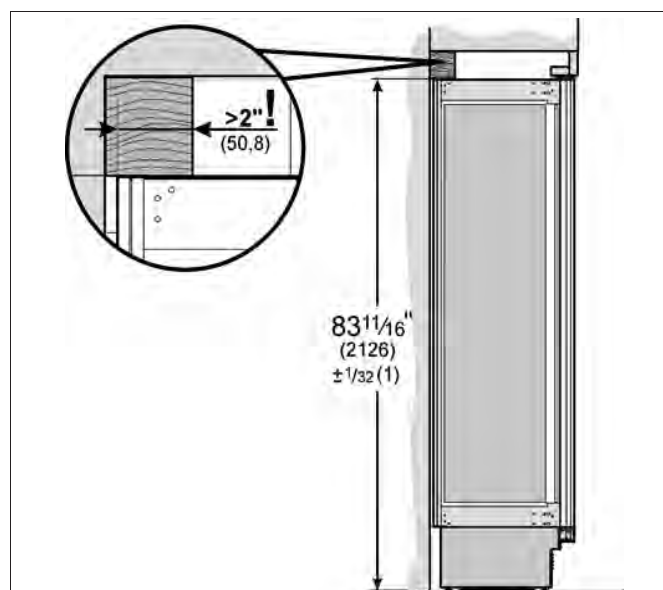
S'il n'est pas possible de fixer les cornières anti-renversement de manière sûre, vous pouvez fixer un dispositif anti-renversement alternatif. Toutefois, veillez à ce qu'il n'y ait pas de jeu entre l'appareil et le dispositif anti-renversement. Si possible, vissez toujours le madrier contre les tenons préexistants situés sur le panneau arrière de la cavité.

1. Sciez le madrier (section minimum 3" x 4") à la longueur requise.

La longueur est égale à la largeur de la cavité d'installation !

Remarque:

- Si la cavité d'installation est plus profonde que l'appareil, sélectionnez un madrier qui présente une plus forte section ou fixez 2 madriers l'un contre l'autre.
- Le madrier doit recouvrir l'appareil sur au moins 2" (50,8 mm).



2. Sur le panneau arrière de la cavité, marquez la hauteur de l'installation (bord inférieur du madrier).
3. Sélectionnez les vis conformément à l'épaisseur du madrier : longueur = 2,5 min. x épaisseur du madrier, diamètre #12 ou #14.

Remarque:

Déterminez le nombre de vis en fonction de la largeur de la cavité, en veillant à ce que le madrier puisse être fixé de manière sûre.

4. Suivant la nature de la surface support :

Recherchez des supports dans la paroi arrière de la cavité et percez les trous dans le madrier en fonction de la position de ces supports.

ou bien

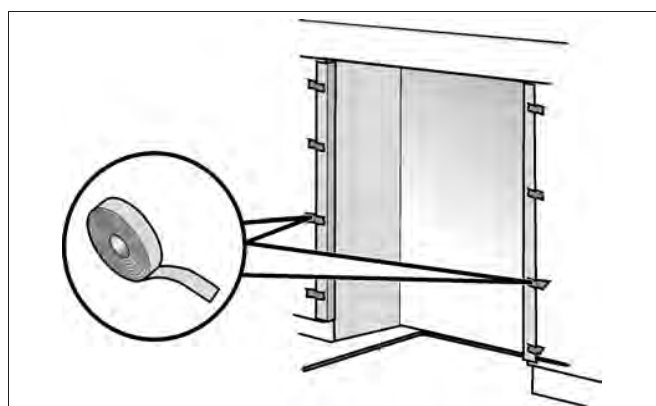
Fixez des chevilles appropriées dans la paroi arrière.

5. Percez des trous préparatoires dans le madrier.
6. Fixez le madrier contre le panneau arrière de la cavité.



3. Fixation du protège-bords

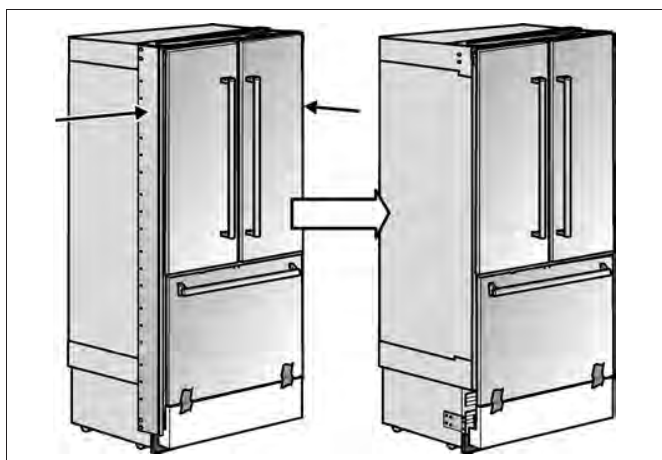
Pour protéger les arêtes de la cavité d'installation, il est recommandé d'utiliser des protège-bords en matériau approprié.



A

4. Retirer le cadre

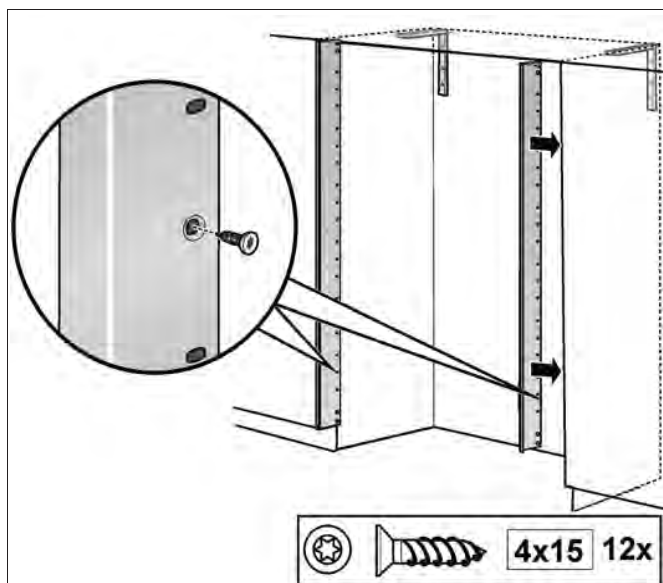
Si l'installation est voulue sans les pièces de cadre, il est possible de les retirer après avoir desserré les vis.



Il est également possible de monter les parties du cadre directement contre la cavité d'installation.

Remarque :

Les pièces du cadre présentent des trous de formes différentes. Pour effectuer le montage, utilisez les trous biseautés.

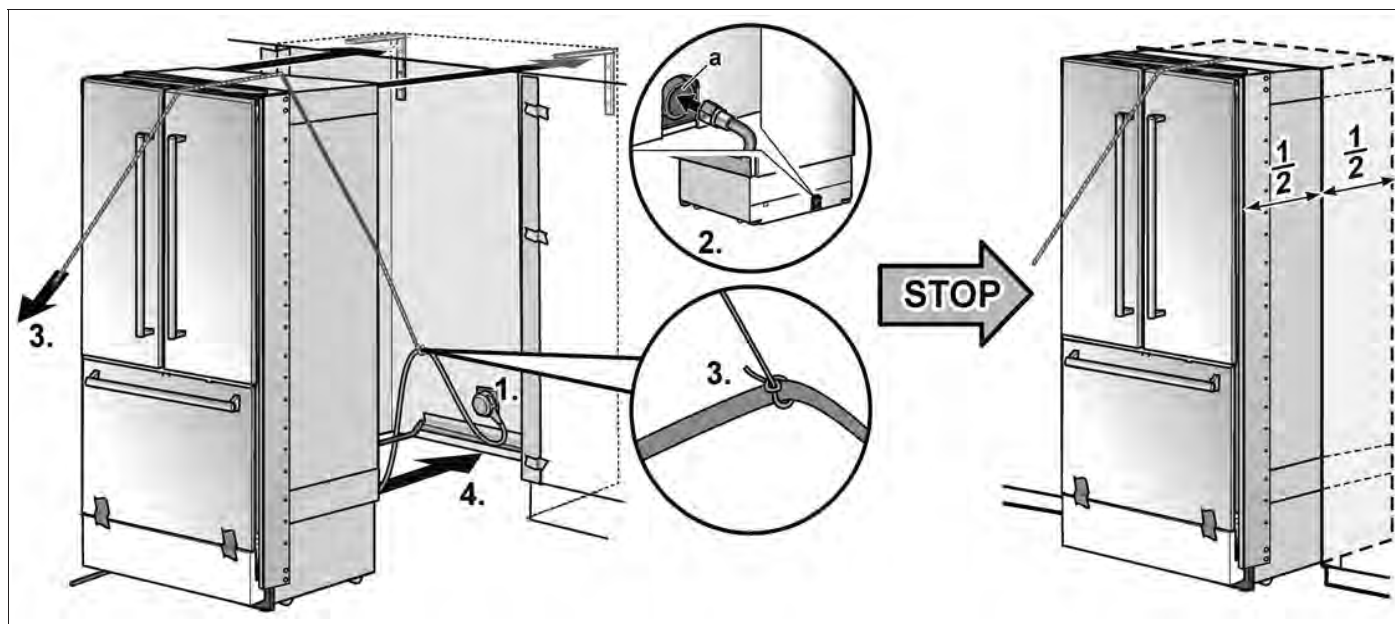


Il s'agit d'étapes d'installation spéciales. Des instructions sont fournies au-delà de la section B.

- Raccordement de l'eau, voir « Préparation du raccordement de l'eau ».

5. Pousser l'appareil dans la cavité d'installation

A



⚠ ATTENTION:

Prudence lorsque vous poussez l'appareil dans la cavité d'installation. Veillez bien à ne pas endommager la conduite d'eau ou le cordon d'alimentation électrique.

Remarque:

Si le plancher ou l'appareil n'est pas horizontal par rapport à la cavité d'installation, ajustez les roues réglables en hauteur avant d'introduire l'appareil dans la cavité d'installation.

1. Branchez la fiche mâle dans la prise de courant.
2. Au dos de l'appareil, poussez le flexible à eau dans le tube de protection (a).

⚠ AVERTISSEMENT:

Opérez prudemment car les gens qui aident risquent d'être blessés ou l'appareil risque de s'endommager. L'appareil risque de se renverser tandis que le flexible à eau pousse dans le tube de protection (a).

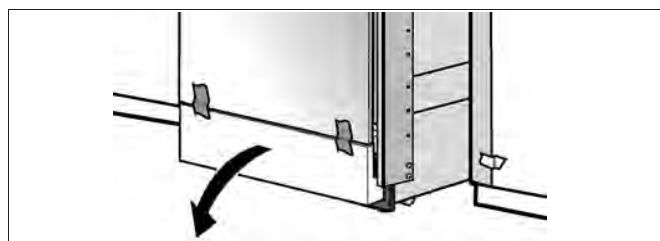
3. Pour empêcher que le cordon électrique ne se coince, nouez une corde à mi-chemin du cordon puis faites passer la corde par dessus l'appareil. Au moment de pousser l'appareil, tirez le cordon électrique vers le haut. Veillez bien à ne pas pincer le cordon électrique.

Ou bien

Prenez du ruban adhésif, collez le cordon d'alimentation électrique contre le plancher, au centre derrière l'appareil, à env. 15" (380 mm) du panneau arrière de la cavité.

4. Poussez prudemment l'appareil **à moitié** dans la cavité d'installation.

5. Enlevez la cale de transport située contre la face inférieure du tiroir du compartiment congélateur.

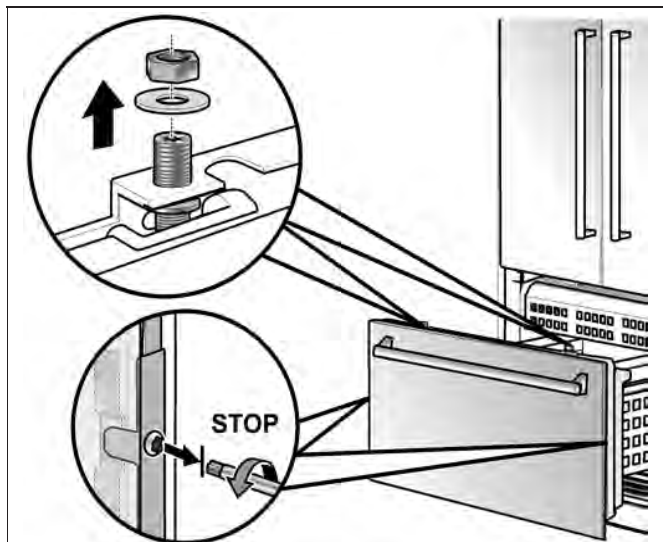


6. Desserrez les écrous situés en haut contre la porte puis dévissez-les.

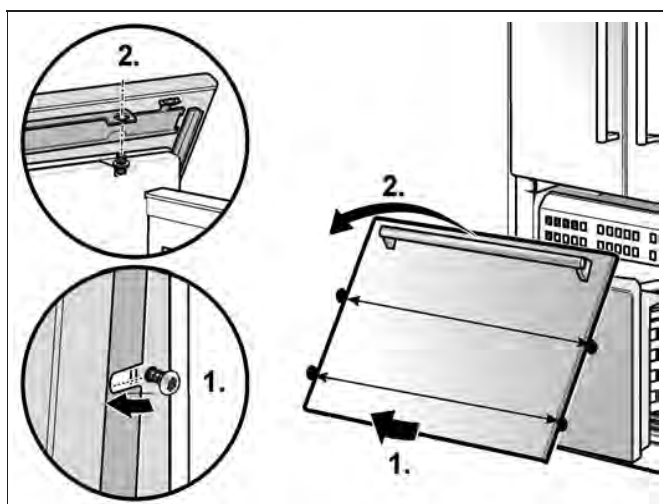
Remarque:

Veillez ce faisant à ne pas faire tourner les goujons filetés, afin de conserver l'orientation de la porte.

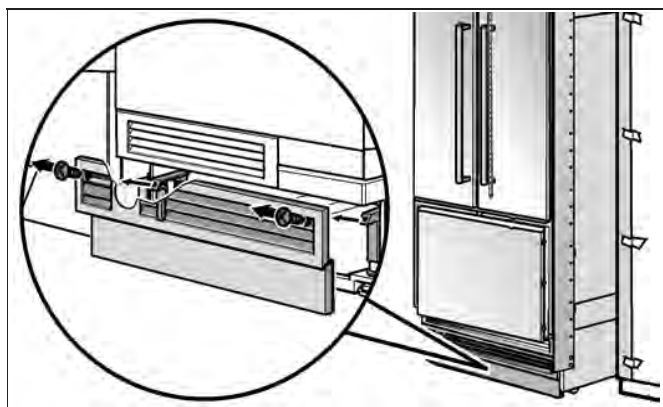
7. Desserrez les vis situées contre les cornières d'immobilisation, sur les côtés gauche et droit. Ne dévissez pas complètement ces vis !

A

8. Pour détacher les brides de fixation des vis, éloignez le bas de la façade en acier inoxydable de la porte en tirant. Ensuite, soulevez la porte pour la détacher des goujons filetés.



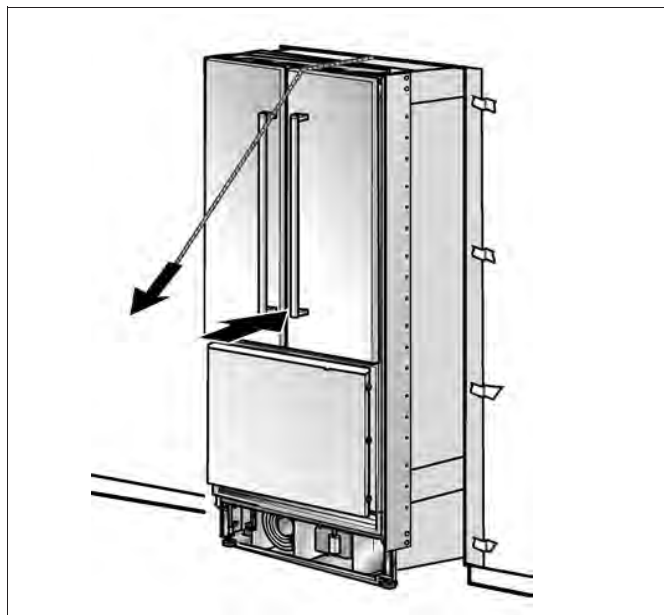
9. Introduisez les brides de fixation sans serrer dans les plaques. Veillez à ne pas les perdre.
10. De l'appareil, démontez l'habillage du socle.



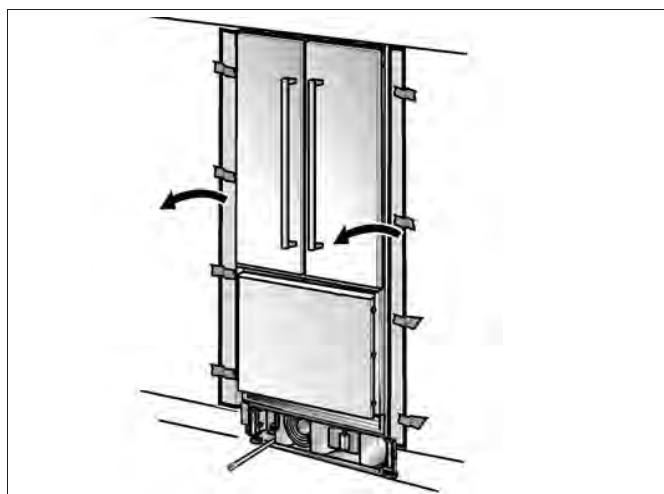
11. Poussez prudemment l'appareil dans la cavité d'installation.

Enfoncez l'appareil jusqu'à ce que le cadre (s'il n'a pas été démonté auparavant) se trouve contre les parois de la cavité d'installation.

Tirez la corde pour empêcher le cordon de se coincer.



12. Retirez les protège-bords (s'ils avaient été fixés).

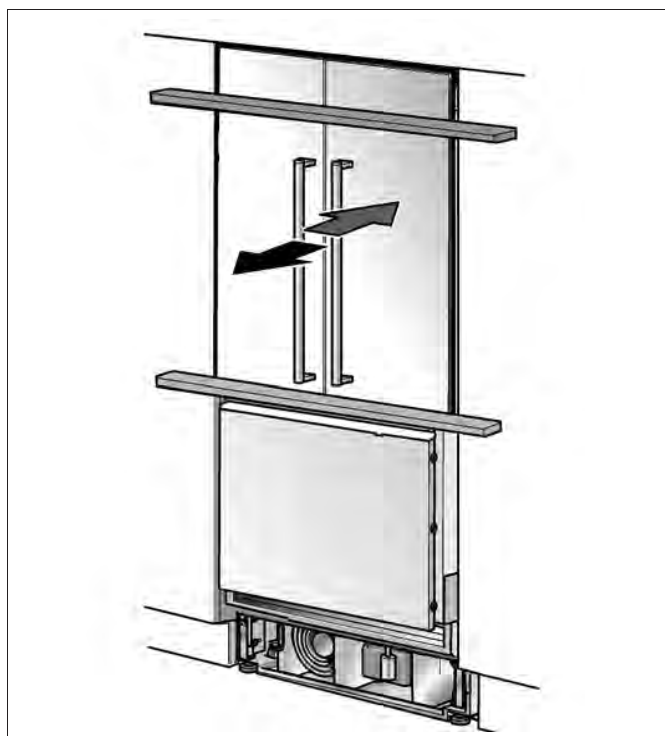


1. Alignement de l'appareil dans la cavité d'installation

Remarque:

- Pour assurer que l'appareil fonctionne correctement, il faut le niveler impeccablement.
- Ne voilez pas ni ne poussez pas l'appareil de force dans la cavité ! Lorsque vous dévissez les pieds réglables en hauteur, procédez graduellement : alternez en permanence entre les côtés gauche et droit, etc.
- Si vous délestez l'arrière de l'appareil, l'ajustage de ses pieds arrière réglables est plus facile.
- L'appareil ne doit pas arriver en position penchée contre les cornières anti-renversement.

1. Alignez l'appareil sur la façade des meubles.



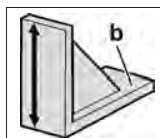
Les pieds réglables en hauteur équipant l'avant et l'arrière de l'appareil se laissent régler depuis l'avant de l'appareil.

Avant : A l'aide d'une clé à fourche $1/2$ " (calibre 13).

Arrière : A l'aide d'un tournevis à douille $5/16$ " (8 mm) via une queue flexible.

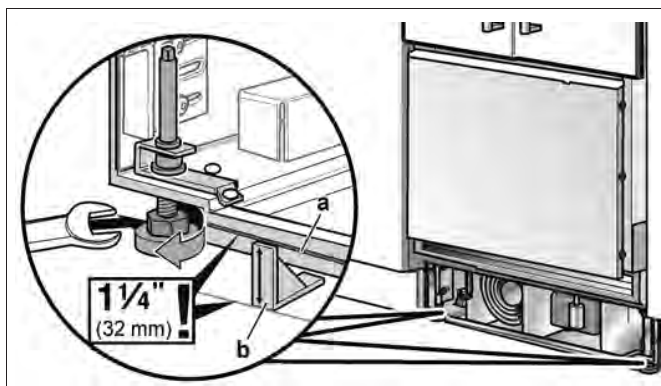
A titre de cote de référence pour l'ajustage en hauteur, une marque (a) a été apposée contre la base de l'appareil. Lors de l'ajustage, il faudra amener cette marque sur une hauteur de $1 1/2$ " (32 mm) au-dessus du sol.

Il est très important de respecter cette dimension pour pouvoir ensuite aligner les façades des meubles.

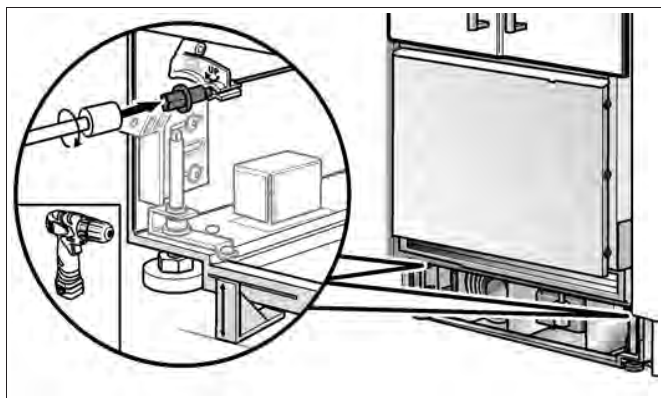


Le gabarit d'ajustage en hauteur (b) sert à régler la hauteur correctement. Il faut que le bord supérieur du gabarit soit aligné sur le marquage figurant sur l'appareil.

2. Dévissez un peu les pieds à l'avant de l'appareil jusqu'à ce que le repère (a) sur ce dernier soit aligné sur le bord supérieur du gabarit d'ajustage en hauteur (b).



3. Alignez verticalement l'appareil par ses pieds arrière. Utilisez un niveau à bulle !



B

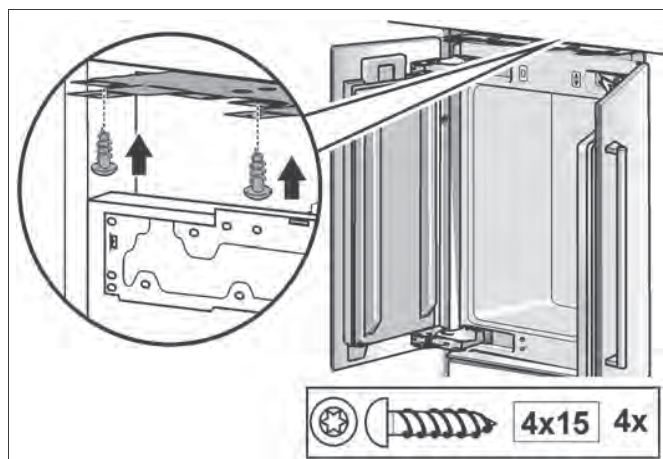
2. Fixation de l'appareil contre le sommet de la cavité

B

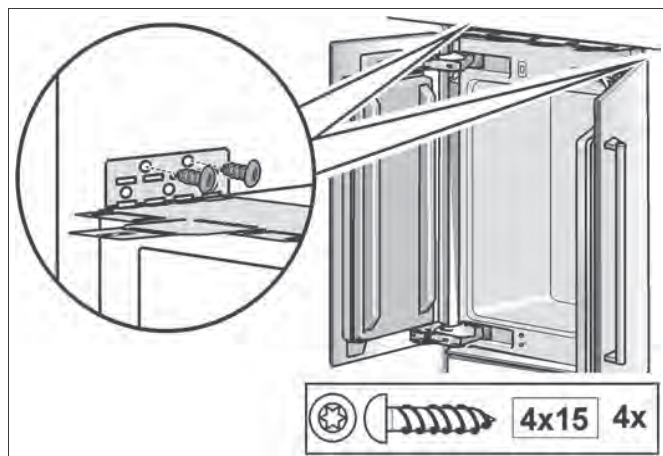
Remarque:

Il est d'une importance cruciale de fixer l'appareil contre le plafond de la cavité d'installation.

1. Vissez les pattes de fixation (en haut) contre le meuble/les appareillages du dessus.
2. En présence d'une cavité assez importante au dessus de l'appareil, montez impérativement un madrier aux dimensions adaptées et sans jeu au dessus de l'appareil.



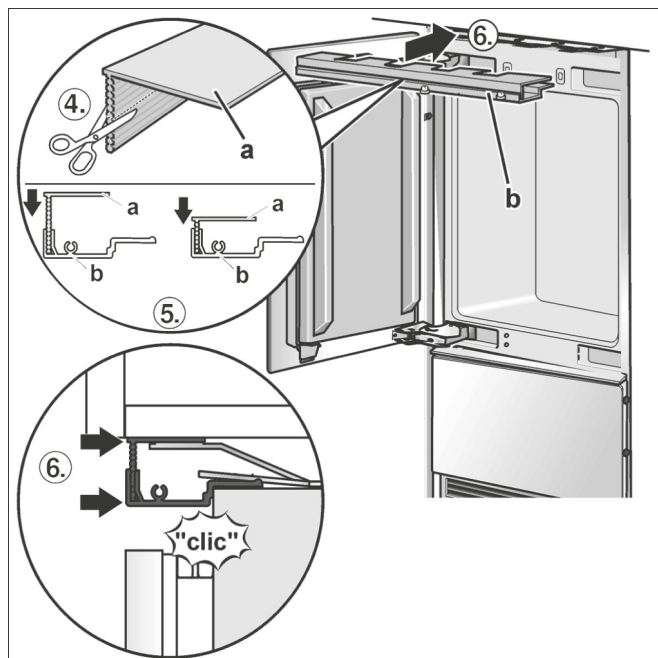
3. S'il y a suffisamment de place au dessus de l'appareil, fixez les pattes latérales (supérieures) de la plaque de montage contre chaque côté de la cavité.



4. Raccourcissez le bandeau d'ajustage (a) pour combler l'interstice.

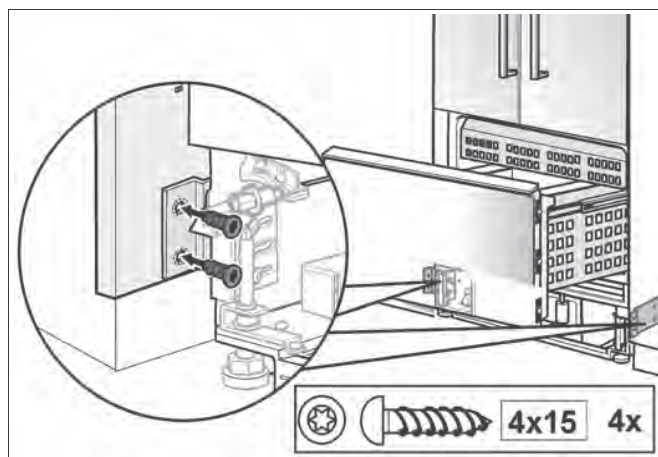
Avis : L'appareil peut être endommagé si le dispositif d'ajustage est trop long.

5. Enfoncez le bandeau d'ajustage (a) dans la baguette couvre-joints.
6. Fixez la baguette couvre-joints (b) contre la plaque de montage (en haut).



3. Fixation de l'appareil individuel contre les côtés de la cavité

1. Ouvrez le tiroir du compartiment congélateur.
2. Vissez les brides de fixation contre la paroi latérale de la cavité d'installation. Vis à travers les trous du cadre.

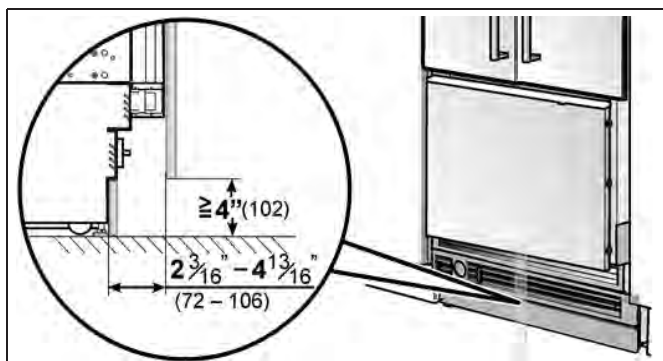


4. Fixation du bandeau de socle

Remarque:

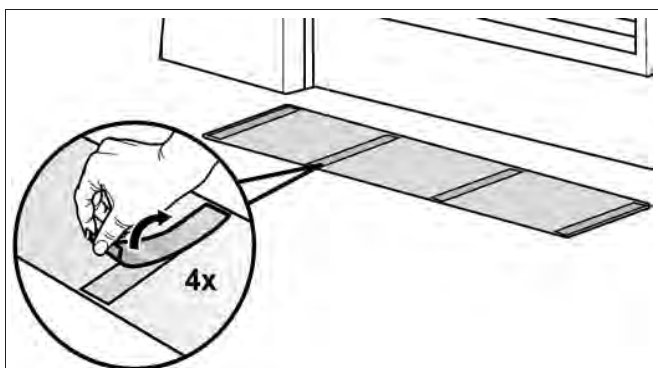
Risque d'endommager l'appareil. Ne recouvrez pas les ouïes de ventilation que comporte le panneau de base.

Dimensions nominales à respecter :

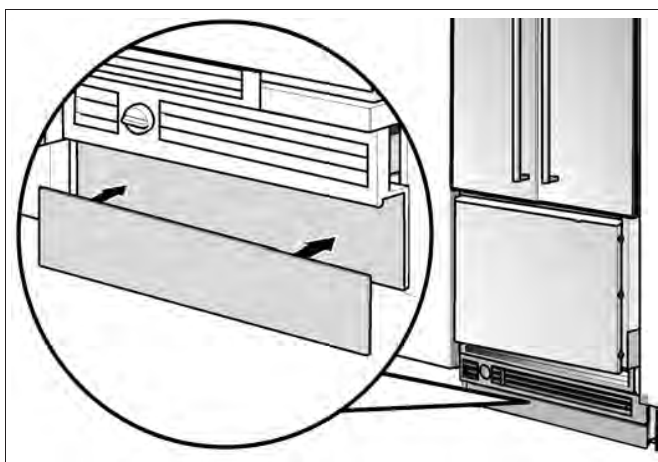


Panneau en acier inoxydable (accessoire)

1. Fixez le panneau de base contre l'appareil (ne le vissez pas dessus).
2. Retirez la pellicule protectrice des bandes adhésives.



3. Présentez le panneau de socle devant le panneau de base et poussez fermement pour le fixer.



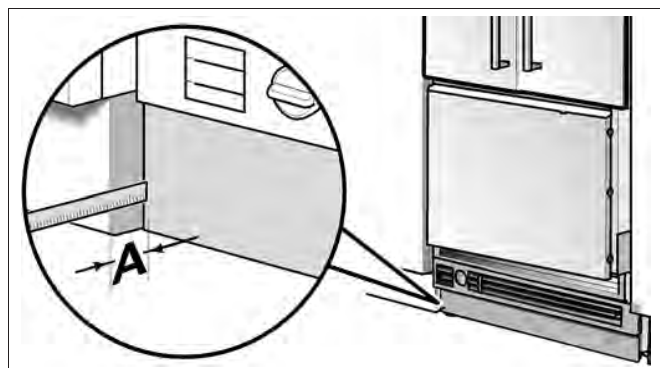
Panneau en bois

1. Si nécessaire, raccourcissez le panneau de bois à la longueur requise.
2. Par l'arrière, vissez le panneau de bois contre le panneau de base. Des trous taraudés ont été prévus à cette fin dans le panneau de base.

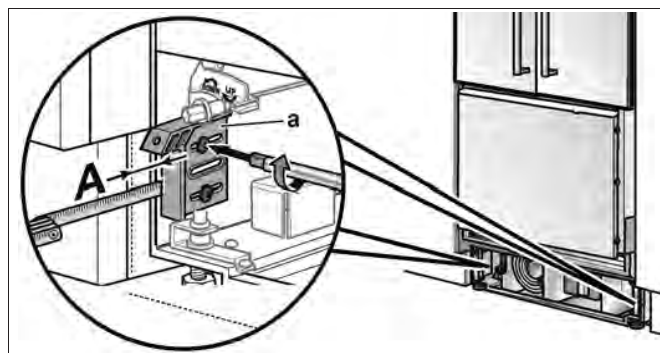
B

5. Alignement du bandeau de socle

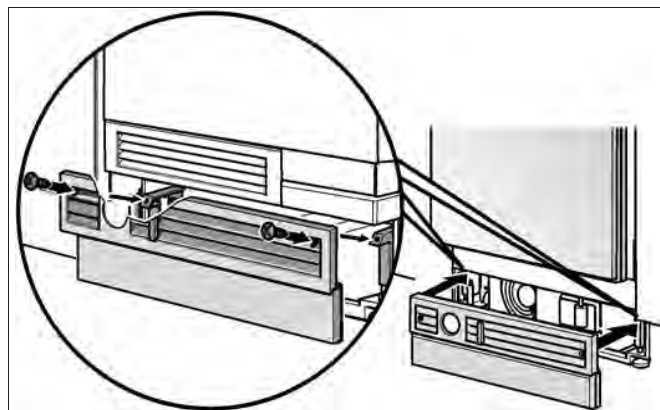
1. Placez le panneau de base (sans visser) puis mesurez la différence de profondeur **A** entre le panneau de base et le bandeau de socle sur le meuble adjacent.



2. Retirez le panneau de base.
3. Ajustez les brides (a) aux dimensions A puis vissez à fond.



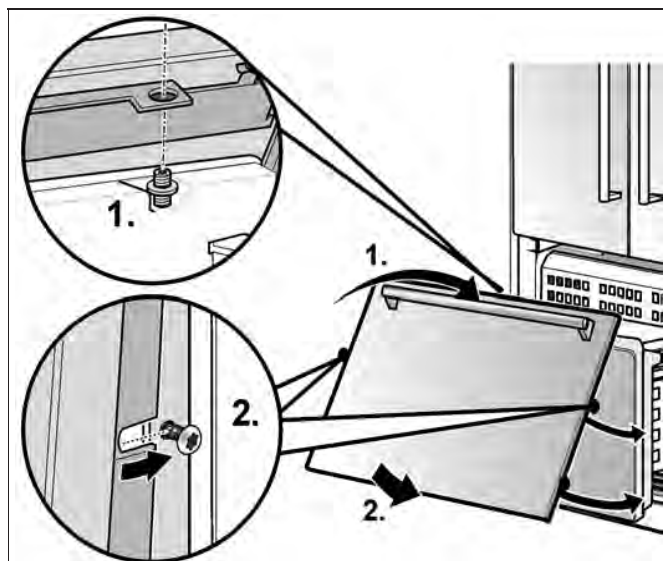
4. Fixez le bandeau de socle contre l'appareil.



6. Montage de la façade en acier inoxydable contre le tiroir du compartiment congélateur

B

1. Accrochez la façade en acier inoxydable aux goujons à double filetage.
2. Abaissez la façade de la porte et enfoncez les brides de fixation sur leurs vis.

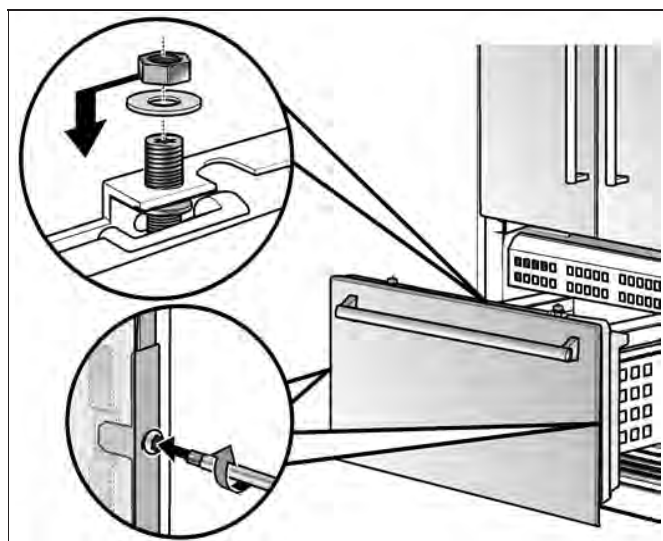


3. Avec la porte du compartiment congélateur fermée, vérifiez si la profondeur de la façade en acier inoxydable est alignée sur celle des façades des meubles adjacents.

Si sa profondeur est dans l'alignement, serrez les vis sur les brides de fixation.

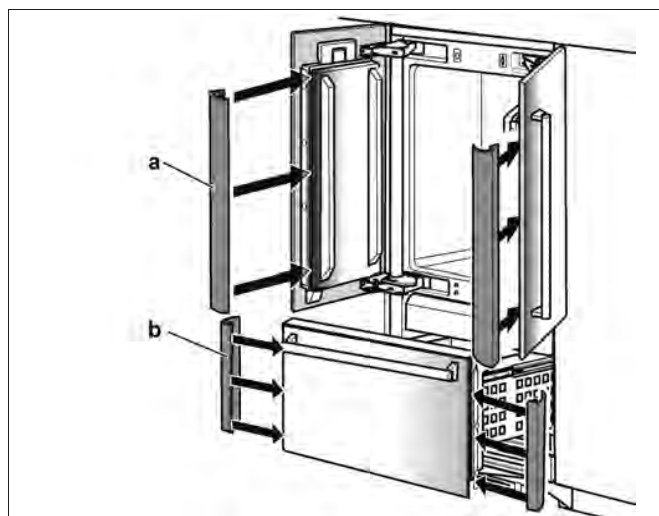
4. En haut de la porte, vissez des écrous sur les goujons filetés. Ne les serrez pas encore à fond.
5. Vérifiez l'alignement latéral de la façade en acier inoxydable.

Si l'alignement latéral est correct, serrez les écrous.

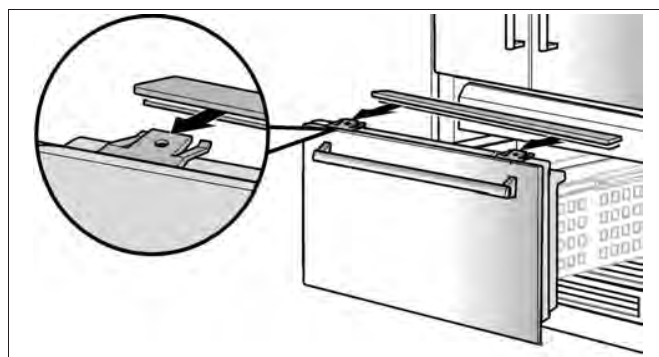


7. Fixation des couvercles

1. Fixez les baguettes couvercles (a) & (b) sur les deux côtés longitudinaux des portes et du tiroir du compartiment congélateur.



2. Insérez la plaque supérieure sur la porte du compartiment réfrigérateur.

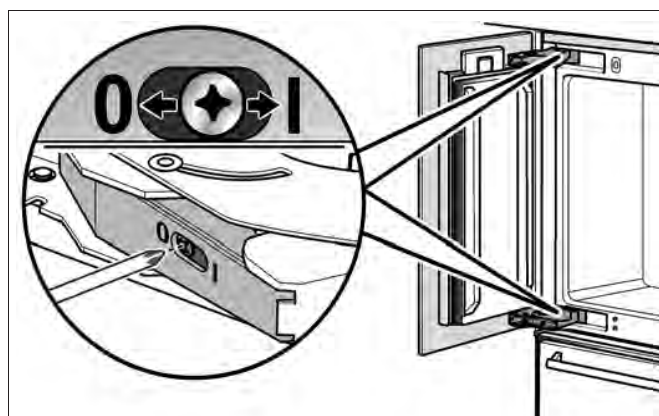


8. Changement du ressort de porte

Tournez la vis de réglage à l'aide d'un tournevis à empreinte cruciforme.

I = Plus forte tension possible du ressort

0 = Pas de tension ressort



Installation spéciale

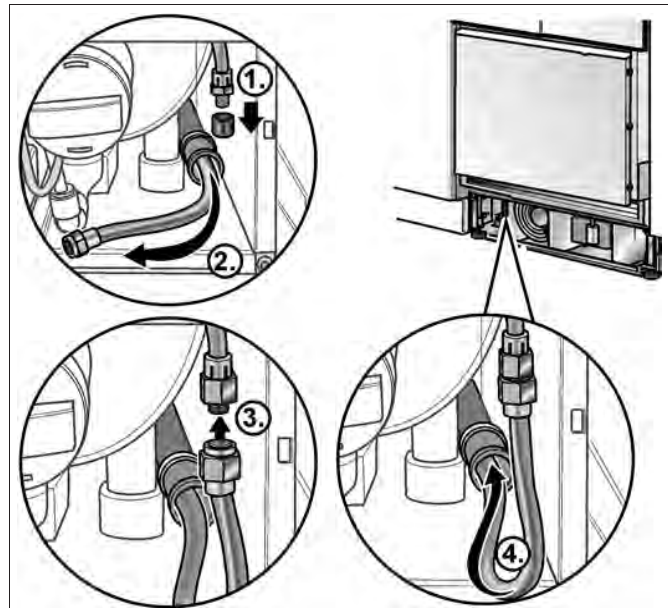
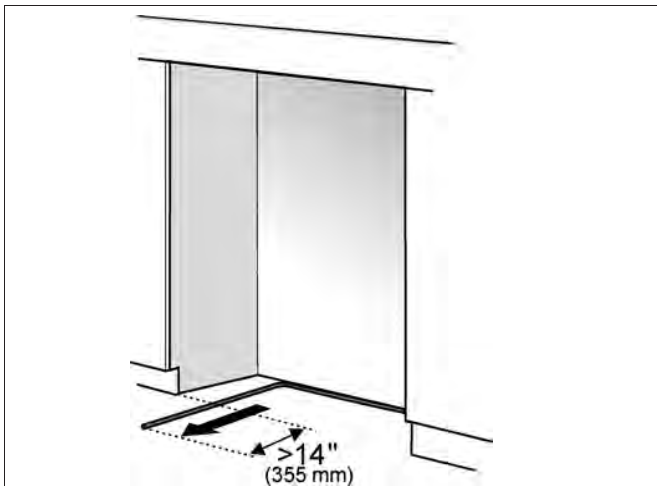
Préparation du raccordement de l'eau

(seulement pour les appareils qui requièrent un raccordement à l'eau courante)

Remarque:

Refermez le robinet d'eau principal pour empêcher que l'eau, en fuyant, ne provoque des dégâts.

1. Branchez la conduite de raccordement contre la vanne de fermeture en respectant les instructions fournies par le fabricant du kit destiné à l'installation du distributeur de glaçons.
2. Installez la conduite de raccordement. Respectez toujours les dimensions spécifiées pour l'espace libre, ceci pour empêcher d'endommager la conduite de raccordement lorsque vous poussez l'appareil.



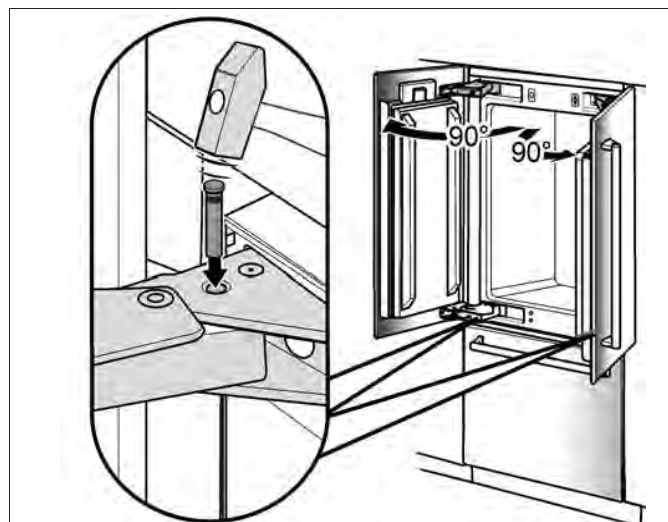
7. Ouvrez la vanne de fermeture et le robinet d'eau principal.
8. Vérifiez si le raccord de la vanne de fermeture et celui de l'appareil présentent des fuites.
9. Fermez la vanne de fermeture et le robinet d'eau principal.

Ajustage de l'angle d'ouverture de porte

Suivant les conditions d'installation, il pourra être nécessaire d'ajuster l'angle d'ouverture de la porte. Un angle d'ouverture de 115° a été ajusté en usine.

Pour conférer à la porte un angle d'ouverture de 90° :

1. Ouvrez la porte à 90°.
2. Introduisez la tige de limitation à travers les deux alésages superposés puis enfoncez-la à l'aide d'un marteau.



Raccordement de l'eau à l'appareil

Remarque:

Lorsque vous recourbez une conduite d'eau, ne la pliez pas, sinon il y a risque que de l'eau fuie et provoque des dégâts.

1. Retirez le capuchon du raccord (1.) de l'appareil.
2. Coupez la conduite conformément à l'emplacement du raccord sur l'appareil (2.).
3. Poussez l'écrou de jonction et le joint contre la conduite d'eau.
4. Poussez l'extrémité de la conduite d'eau dans le raccord de l'appareil et vissez l'écrou (3.). Serrez à fond mais à la main.
5. A l'aide d'une clé à fourche, serrez l'écrou de jonction. Veillez à ne pas serrer à l'excès !
6. Renfonchez le flexible à eau le plus loin possible dans le tube de protection (4.).



Índice

INSTRUCCIONES IMPORTANTES DE SEGURIDAD	45
Opciones de instalación	46
Unidad individual	46
Electrodomésticos individuales con separación	46
Electrodomésticos individuales en el final de las unidades de cocina	46
Instalación	47
Ambiente de emplazamiento	47
Instalación estable	47
Cavidad de instalación	47
Muebles	47
Base	47
Alineación del electrodoméstico	47
Conexión a la red de alimentación	48
Instrucciones de conexión a tierra	48
Procedimiento de puesta a tierra adicional	48
Conexión del agua	48
Medidas de instalación	49
Accesorios y herramientas necesarias	50
Accesorios que forman parte volumen de entrega	50
Accesorios opcionales	50
Otros accesorios necesarios	50
Otros	50
Herramientas	50

Instrucciones de instalación	51
1. Control de la cavidad para la instalación	51
2. Desembalaje	51
3. Transporte del electrodoméstico	52
4. Preparativos para el montaje	53
5. Instalación especial	53



1. Colocación de los angulos antivuelco	54
2. Montaje de un dispositivo antivuelco adicional	55
3. Protección de las esquinas	55
4. Quitar el cuadro	56
5. Colocando el electrodoméstico en la cavidad de instalación	57



1. Alineación del electrodoméstico	59
2. Sujetando el electrodoméstico a la parte superior de la cavidad	60
3. Sujeción del electrodoméstico en los laterales de la cavidad	60
4. Sujeción del panel de protección	61
5. Alineación del panel de protección	61
6. Montaje del frente de acero inoxidable en la gaveta del compartimiento de congelación	62
7. Montaje de las cubiertas	62
8. Cambio del muelle de la puerta	62

Instalación especial	63
-----------------------------------	-----------



Preparación para conectar el agua.....	63
Conexión del agua al electrodoméstico	63
Ajuste del ángulo de apertura de la puerta	63

INSTRUCCIONES IMPORTANTES DE SEGURIDAD

ADVERTENCIA

La parte superior de este electrodoméstico es más pesada que la de abajo, por lo que se lo debe asegurar a fin de evitar que vuelque hacia delante.

Se requiere de una protección antivuelco.

Mantenga las puertas cerradas hasta que el electrodoméstico esté completamente instalado y asegurado según las instrucciones de instalación.

Debido al peso y las dimensiones del electrodoméstico y a fin de reducir el riesgo de lesiones personales o de daños al producto – SE REQUIERE DE DOS PERSONAS PARA UNA INSTALACIÓN ADECUADA.

Este electrodoméstico debe conectarse correctamente a tierra. Consulte la sección «Conexión a la red de alimentación».

Utilice el electrodoméstico exclusivamente para lo que ha sido previsto.

Repare o cambie inmediatamente los cables eléctricos si están gastados o dañados.

Desenchufe el electrodoméstico o desactive el fusible antes de limpiar o efectuar reparaciones.

NOTA

Una instalación adecuada de este electrodoméstico requiere de conocimientos específicos básicos en mecánica, carpintería y fontanería.

Fallos en el producto debido a una instalación inadecuada no está cubiertos por la garantía.

Consulte el manual del usuario por la información concerniente a la garantía.

IMPORTANT

Guarde estas instrucciones para el uso del inspector local. Tenga en cuenta todas las disposiciones y ordenanzas gubernamentales.

Nota para instalador – Asegúrese de dejar estas instrucciones al usuario.

Nota para el usuario – Guarde estas instrucciones con su manual para el propietario.

General

Las reparaciones debe efectuarlas un técnico calificado. Estas instrucciones de instalación se entienden para se usadas por instaladores calificados. Todas las conexiones de agua, alimentación eléctricas y conexión a tierra, deben cumplir con las prescripciones y ordenanzas locales y deben ser realizadas por personal con las licencias correspondientes si así se lo requiere. En ausencia de prescripciones locales:

- En los E.E.U.U., de acuerdo con el National Electric Code, ANSI/NFPA70 – última edición/ prescripciones municipales y/o locales.
- En Canadá, de acuerdo con el Canadian Electric Code C22.1 – última edición prescripciones municipales y/o locales.

Definitions

ADVERTENCIA:

indica que existe peligro de lesiones graves y aún de muerte, que pueden ocurrir como resultado de la inobservancia de esta advertencia.

ATENCIÓN:

indica que pueden producirse lesiones menores o daños que pueden ocurrir como resultado de la inobservancia de esta advertencia.

Nota:

Este símbolo se utiliza para llamar la atención del usuario respecto de algo en particular.

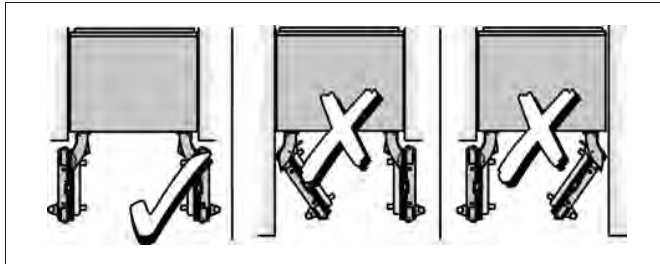
Opciones de instalación

Existen diversas opciones de instalación.

Están limitadas exclusivamente por el diseño de la cocina.

Ver también «Breve referencia para diseño de cocina (Kitchen Design Quick Reference)».

Unidad individual



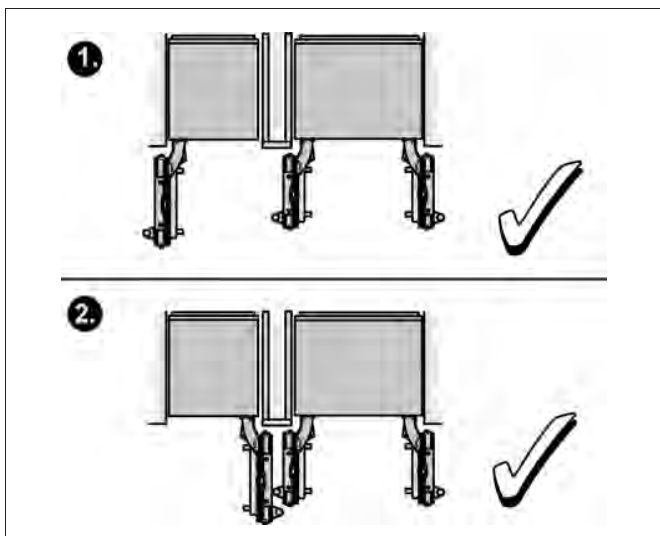
Electrodomésticos individuales en el final de las unidades de cocina

Si uno de los lados del electrodoméstico está a la vista, debe colocarse un panel lateral.

El panel lateral debe sujetarse firmemente en la pared, el piso y el mueble o adorno superpuesto antes de colocar el electrodoméstico en la cavidad.

Las dimensiones del panel lateral, deben tomarse en la pared opuesta de la cavidad. Controle durante la instalación que la cavidad esté a escuadra y que tenga las dimensiones adecuadas.

Electrodomésticos individuales con separación



- Si dimensiona los espacios para el modelo 2, tenga en cuenta el espesor de los paneles frontales de los muebles, a fin de evitar daños si se abren las dos puertas simultáneamente.
- Utilice el «Heating kit» (combinación y calentamiento) si el espacio entre los dos electrodomésticos es menor que 6" (160 mm). Consulte la sección «Accesorios opcionales».
- La separación mínima debe ser de $\frac{5}{8}$ " (16 mm).

Instalación

ADVERTENCIA:

No instale el electrodoméstico:

- a la intemperie,
- en un sitio con presencia de agua,
- en ambientes a temperaturas inferiores a los 32 °F (0 °C).

El electrodoméstico es muy pesado.

Por los pesos del equipo vacío, consulte la tabla siguiente:

Congelador independiente
de 36" (2 puertas): aprox. 430 lbs / 195 kg

Ambiente de emplazamiento

El electrodoméstico debe instalarse en un ambiente seco y bien ventilado.

La temperatura del ambiente no debe descender de los 55 °F (13 °C) o aumentar más allá de los 110 °F (43 °C).

De lo contrario puede no funcionar correctamente.

El lugar de emplazamiento no debe estar expuesto a la luz solar directa, ni cerca de una fuente de calor como una estufa, radiador, etc.

Si es inevitable instalarlo cerca de una fuente de calor, utilice una placa aislante adecuada o asegure una distancia mínima respecto de la fuente de calor:

- 1 1/4" (30 mm) de un horno eléctrico,
- 12" (300 mm) de un horno a combustible seco.

Instalación estable

El electrodoméstico es muy pesado y presenta la tendencia de volcar hacia adelante cuando se abre la puerta del mismo.

No abrir la puerta hasta tanto el electrodoméstico no pueda volcar más.

La manera más segura de instalar el electrodoméstico en una posición estable, es utilizando los elementos antivuelco que forman parte del volumen de entrega.

Si el sitio de instalación es suficientemente estable y el electrodoméstico puede asegurarse firmemente en las paredes laterales y superior, se logra una mayor estabilidad del mismo. ¡Es una condición previa, que el encerramiento de instalación presente una sujeción firme en la pared posterior!

Si tiene dudas, consulte a un arquitecto o experto en construcción.

Cavidad de instalación

Nota:

Se recomienda insistentemente que la pared superior de la cavidad sea de material sólido con un espesor mínimo de 5/8" (16 mm).

Si por alguna razón, se construye un gabinete especial para la cavidad, debe asegurarse, que el espacio libre detrás del electrodoméstico sea de un mínimo de 4" (100 mm) de profundidad.

Es importante observar las dimensiones especificadas para la cavidad de instalación a fin de garantizar una instalación del electrodoméstico sin problemas.

Controle particularmente que la cavidad esté a escuadra.

Esto puede controlarse con herramientas adecuadas, como un nivel de agua, mediciones en diagonal, etc.

Muebles

El electrodoméstico debe atornillarse firmemente a los muebles o adornos adyacentes y superpuestos.

A tal fin es esencial que todos los muebles o adornos estén firmemente sujetos al suelo o las paredes con medios adecuados.

Base

ADVERTENCIA:

Un electrodoméstico plenamente cargado es muy pesado. Consulte la tabla siguiente para la carga total requerida de la base:

Congelador independiente
de 36" (2 puertas): aprox. 1200 lbs/540 kg

Para asegurar que el electrodoméstico esté firmemente montado y funcione correctamente, la base de apoyo debe ser plana y horizontal.

La base debe ser de material duro y rígido.

La zona de instalación deben presentar la misma altura que el resto del ambiente.

Para dar cuenta del elevado peso del electrodoméstico plenamente cargado, se requiere que la base resista la carga en cuestión. Si tiene dudas, consulte a un arquitecto o experto en construcción.

Alineación del electrodoméstico

A fin de que el electrodoméstico funcione correctamente, debe estar adecuadamente nivelado.

Si así no fuere, puede salir agua del equipo de producción de hielo, los cubitos de hielo pueden presentar una forma irregular o bien las puertas no cierran correctamente.

Conexión a la red de alimentación

ADVERTENCIA:

Peligro de descargas eléctricas

- Conéctelo a un tomacorriente de 3 conductores con conexión a tierra.
- No desconecte el contacto de toma de tierra.
- No utilice adaptadores.
- No utilice cables de prolongación.

El incumplimiento de estas instrucciones puede ser causa de la muerte, incendios o descargas eléctricas.

Cumplimentar todas la reglamentaciones y códigos o el NEC.

El electrodoméstico se entrega con un conductor de alimentación de 3 cables, listado según UL.

El electrodoméstico requiere de un tomacorriente de 3 conductores.

Este tomacorriente debe instalarlo un electricista con la licencia debida.

El tomacorriente debe estar protegido mediante un fusible o térmico de 15 A.

Electrodoméstico	Carga simultánea máxima
Congelador independiente de 36" (2 puertas)	6.0 Amper

Por la ubicación de los tomacorrientes, consulte las «Medidas de emplazamiento».

Instrucciones de conexión a tierra

Este electrodoméstico debe conectarse a tierra.

En caso de un fallo en el funcionamiento o una rotura, la conexión a tierra reduce el riesgo de descargas eléctricas, proveyendo una vía de resistencia menor para la corriente eléctrica.

ADVERTENCIA:

Una conexión inadecuada del conductor de puesta a tierra puede ser causa de una descarga eléctrica. Haga controlar el electrodoméstico por un electricista calificado o personal del servicio técnico si tiene dudas respecto de una conexión a tierra correcta.

Procedimiento de puesta a tierra adicional

Algunas disposiciones locales exigen una puesta a tierra adicional. En este caso debe adquirirse por separado el cable, las grampas y los tornillos accesorios.

Nunca conecte a tierra el electrodoméstico en tuberías de plástico, de gas o de agua.

Conexión del agua

ATENCIÓN:

¡Conectar el electrodoméstico exclusivamente a una tubería de agua potable!

Se requiere de una conexión de agua fría, para el funcionamiento del generador automático de hielo. La presión del agua debe estar comprendida entre 25 a 120 p.s.i. (1,72 a 8,25 bar). La instalación debe cumplir con las reglamentaciones de tubería de agua locales y las leyes nacionales correspondientes.

Debe instalarse una válvula de cierre en la conexión de agua del electrodoméstico.

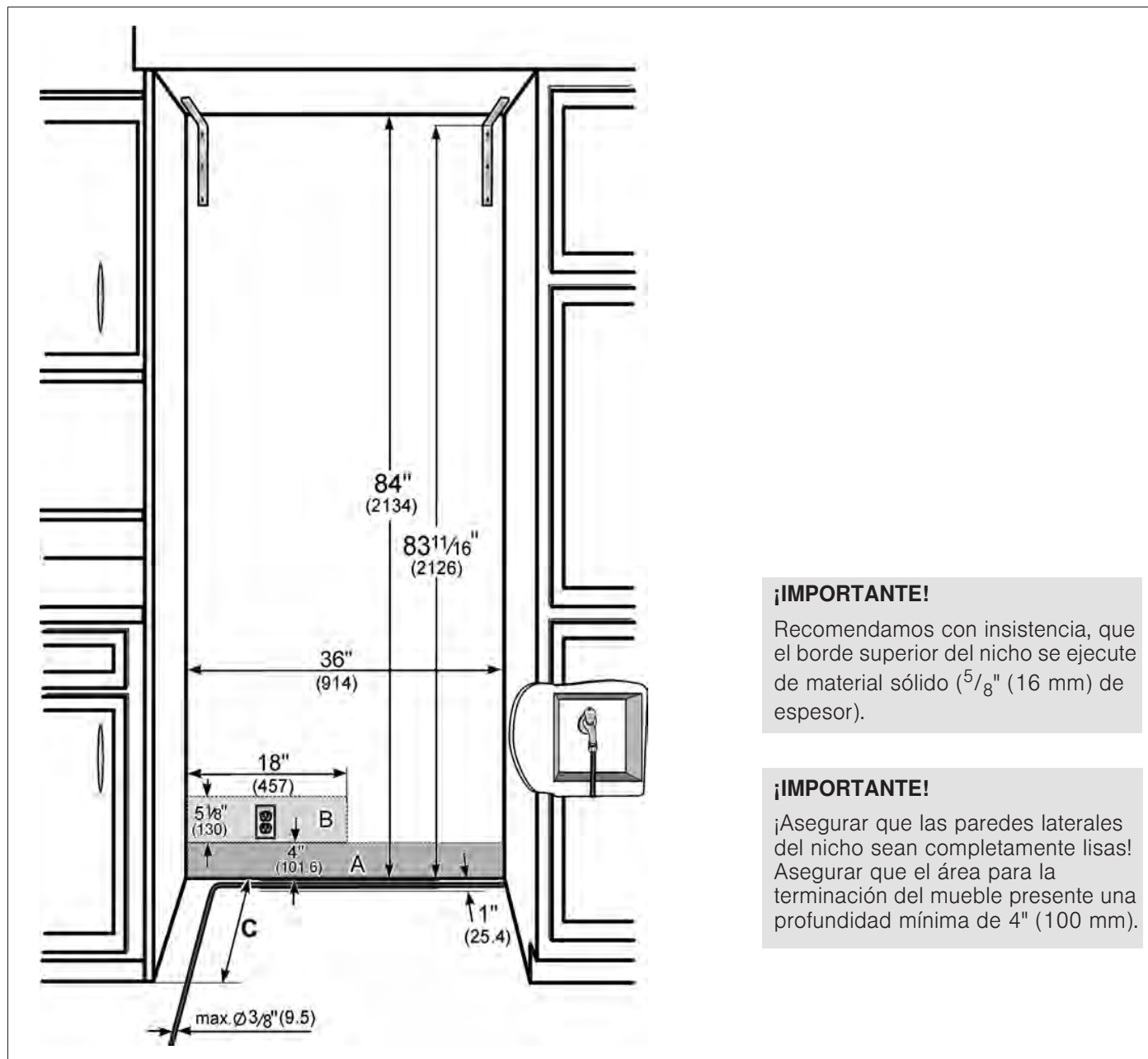
La válvula de cierre no debe encontrarse detrás del electrodoméstico. Se recomienda instalar dicha válvula en la cercanía inmediata del electrodoméstico (unidad base) o en otra zona de fácil acceso.

Durante la instalación del agua, observe las zonas de instalación permitidas para la tubería. Por las zona mencionadas y sus medidas, consulte «Medidas de instalación».

La tubería de alimentación puede ubicarse al costado derecho (a), al costado izquierdo (b), o debajo (c).

El diámetro externo máximo dela tubería (sin las monturas): $\frac{3}{8}$ " (9.5 mm).

Medidas de instalación



¡IMPORTANTE!

Recomendamos con insistencia, que el borde superior del nicho se ejecute de material sólido ($\frac{5}{8}$ " (16 mm) de espesor).

¡IMPORTANTE!

¡Asegurar que las paredes laterales del nicho sean completamente lisas! Asegurar que el área para la terminación del mueble presente una profundidad mínima de 4" (100 mm).

Leyenda:

A Zona para la instalación de la conexión de agua.

Recomendamos que el depósito de agua se instale al lado abertura de instalación, por razones de servicio, de modo que pueda accederse al mismo sin desinstalar el electrodoméstico. Si no fuera posible, colocar el depósito de agua en la zona sombreada.

B Zona para la conexión a la red de potencia.

C Altura de la abertura, según el diseño de la cocina.

C = 24" (610 mm) como mínimo

Accesorios y herramientas necesarias

Accesorios que forman parte volumen de entrega

- Instrucciones para el montaje
- Instrucciones de funcionamiento
- Juego de instalación

Accesorios opcionales

Combinación y calentamiento XHEATKIT10

Si el espacio entre los electrodomésticos es menor que 6" (160 mm).

Otros accesorios necesarios

Juego para la instalación de un generador de hielo con línea de 1/4" de cobre

Para electrodomésticos que requieren agua. P. ej. para un generador de hielo.

El diámetro externo máximo de la tubería (sin las monturas): 3/8" (9.5 mm).





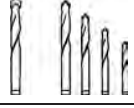
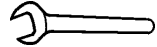



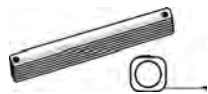


Otros

- Escalera
- Carro de mano
- Perforadora para practicar orificios en paredes o pisos
- Bits de diferentes tamaños y materiales
- Viguetas de madera (sección transversal mínima de 3" x 4") como protección alternativa contra vuelcos, de longitud adecuada al ancho de la cavidad
- Tornillos de madera de diferentes tamaños
- Material delgado (máx. 1/16" (1,5 mm)), adecuado para evitar daños en el piso (p. ej. linóleo)
- Material adecuado para cubrir y proteger los muebles (p. ej. láminas de protección)
- Cinta adhesiva

Nota:

Verificar antes de usar la cinta adhesiva si ésta deja restos de adhesivo en las superficies de los componentes. En caso de que así fuera, no deberá usarse en aparatos con superficies delicadas y de alta calidad.

Herramientas

	Destornillador a batería
	Bit tipo Torx T20 y T30 + un soporte magnético
	Destornillador tipo Torx T20
	Destornillador de ranura en cruz 5/16" (8 mm)
	Brocas para madera de diversas medidas
	Llave de boca 1/2" (13 mm)
	Pinza universal
	Llave ajustable
	Cuchilla de hoja ajustable
	Regla metálica, cinta métrica
	Escuadra
	Nivel de agua de 2' (60 cm) y 4' (1,2 m)

Instrucciones de instalación

Las instrucciones de montaje siguientes describen los pasos a seguir para el montaje de los diferentes tipos de equipos.

Por ello puede ocurrir que las representaciones en las figuras diverjan de la realidad.

Se advierte especialmente respecto de pasos de montaje especiales para tipos de equipos individuales.

1. Control de la cavidad para la instalación

⚠ ATENCIÓN:

Utilizar la lista de control siguiente a fin de proceder a una instalación sin problemas:

1. Controle la base.
Siga las instrucciones de la sección «Instalación».
2. Controle las medidas de la cavidad.
Siga las instrucciones de la sección «Medidas de instalación».
3. Controle que la cavidad esté a escuadra.
4. Controle la ubicación del tomacorriente.
Siga las instrucciones de la sección «Conexión a la red de alimentación» y la sección «Medidas de instalación».
5. Controle la ubicación de la conexión del agua (únicamente en caso de electrodomésticos con generador de hielo).
Siga las instrucciones de la sección «Conexión del agua» y la sección «Medidas de instalación».
6. Controle la sujeción de los muebles o adornos adyacentes. Todos los muebles en las cercanías del electrodoméstico deben estar firmemente sujetos a las paredes.
7. Controle que los muebles o adornos adyacentes no colisionen (ángulo de apertura de las puertas).

2. Desembalaje

⚠ ADVERTENCIA:

Sea cuidadoso, de otra manera puede lesionarse la gente que le ayuda, o puede dañarse el electrodoméstico.

- El electrodoméstico puede volcar mientras se lo desembala o si se abren las puertas del mismo.
- El electrodoméstico es extremadamente pesado.

Nota:

Controle si el electrodoméstico presenta daños de transporte. No instale el electrodoméstico si presenta daños visibles. En caso de dudas, consulte con su vendedor.

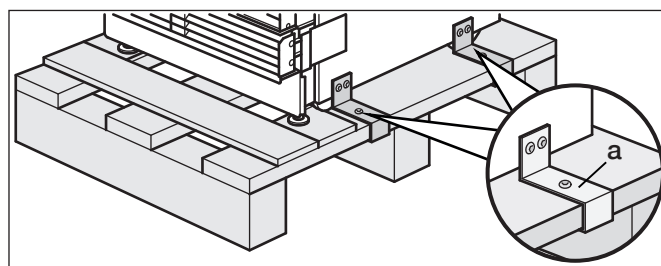
Para proteger la base de daños durante la instalación:

1. Quite el cartón. Utilice la cuchilla con cuidado para no rayar el electrodoméstico.
2. Colocar la placa de cartón o madera del embalaje debajo del electrodoméstico.
3. Retirar los accesorios sujetos al cuerpo exterior del aparato.
Guardar las tiras adhesivas de los accesorios sujetos al aparato. Servirán posteriormente para fijar las protecciones de los bordes en las paredes del hueco de montaje (véase el capítulo «A / 3. Protección de las esquinas»).

Nota:

No quite el seguro de transporte de la parte inferior del cajón que se encuentra en el gabinete de congelación.

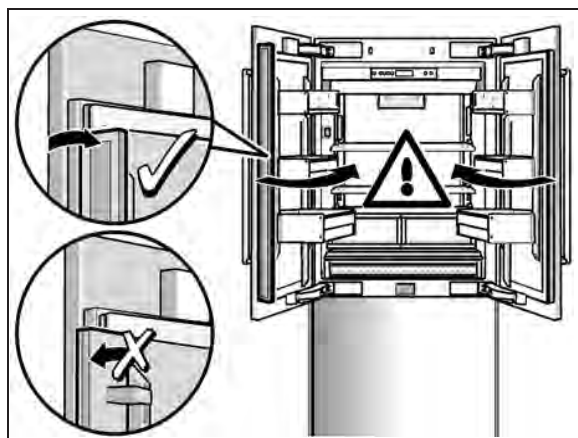
4. Soltar los seguros de transporte (a) y retirar el aparato del palet de transporte, alzándolo a tal efecto – ¡prestar atención al elevado peso del aparato!



5. Abrir las puertas del aparato cuidadosamente – ¡existe peligro de vuelco! – y retirar los accesorios y el material de montaje de su interior. Cerrar la puerta.

Nota:

- Retirar los seguros de transporte de las bandejas y cajones del aparato sólo una vez que se ha instalado éste en su emplazamiento definitivo, de lo contrario podrían sufrir daños.
- Cuidado al cerrar la puerta. El riel plegable sujeto a la puerta del compartimiento izquierdo del refrigerador debe estar plegado cuando la puerta está cerrada. ¡Pueden dañarse los equipos!



3. Transporte del electrodoméstico

⚠ ADVERTENCIA:

Por ello debe tenerse especial cuidado, ya que eventuales colaboradores pueden verse lesionados o el equipo puede sufrir daños. El electrodoméstico es extremadamente pesado.

El equipo presenta una altura de 83¹/₈" (2126 mm). Si no se puede transportar el equipo en posición vertical, debido a las características constructivas del sitio, puede transportárselo acostado.

Nota:

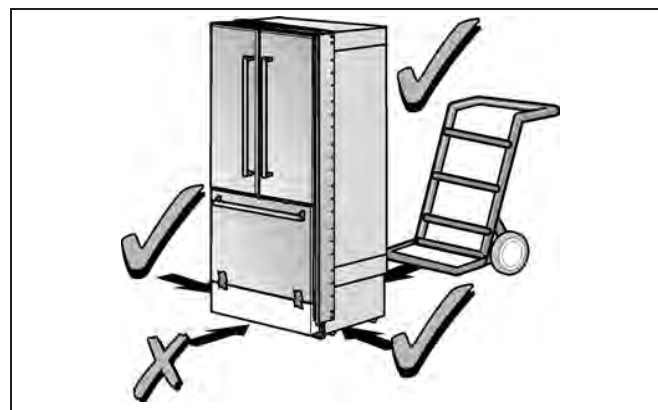
¡No erigir el electrodoméstico sujetándolo de las paredes laterales!
Existe riesgo de daños en el electrodoméstico.

Tener en cuenta la altura mínima necesaria en el sitio de emplazamiento cuando se quiere parar el equipo, siguiendo los datos de la tabla siguiente:

Parar el equipo por la pared posterior	Parar el equipo por la pared lateral
La altura mínima 86"/2185 mm	¡No erigir el electrodoméstico sujetándolo de las paredes laterales!

Nota:

Aplicar la carretilla de transporte siempre en el centro de la parte posterior del aparato. ¡No aplicarla nunca en la parte frontal o en uno de los laterales!
¡El aparato puede sufrir daños o desperfectos!

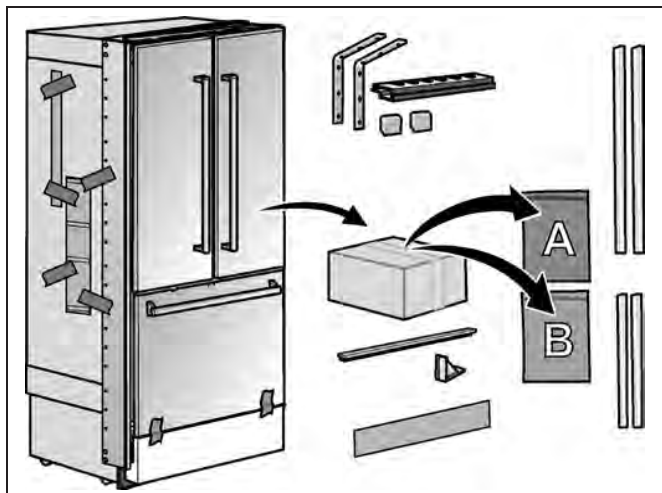


1. Transportar el equipo con elementos de transporte adecuados al sitio de emplazamiento y al equipo mismo (carretilla para sacos, elevador a horquillas o carro).
2. Asegurar el electrodoméstico para que no pueda volcarse durante el transporte.

4. Preparativos para el montaje

Desembalar el material de montaje y los accesorios.

A fin de simplificar la instalación, el embalaje se identifica mediante etiquetas A y B, correspondientemente a las secciones del manual.



5. Instalación especial

Esto significa que deben cumplimentarse pasos adicionales antes de pasar al capítulo siguiente.

Los pasos de instalación especiales se describen después de la sección B.



- Por la conexión del agua, ver «Preparación para conectar el agua» and «Conexión del agua al electrodoméstico».
- Por el tope para la puerta, ver «Ajuste del ángulo de apertura de la puerta».

A

1. Colocación de los ángulos antivuelco

⚠ ADVERTENCIA:

¡Existe peligro de lesiones y daños! Asegure que no existan cables eléctricos o tuberías en la zonas donde deben penetrar los tornillos.

⚠ ATENCIÓN:

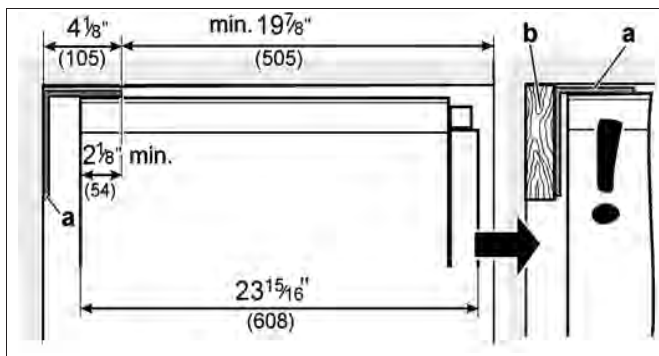
¡Peligro de lesiones! Utilice siempre gafas y otros dispositivos de protección cuando instala o trabaja con tarugos.

Nota:

- Se requiere de dos ángulos antivuelco para cada electrodoméstico.
- El juego suministrado comprende diversos tronillos para diferentes instalaciones. Seleccione los tronillos de acuerdo a las condiciones.

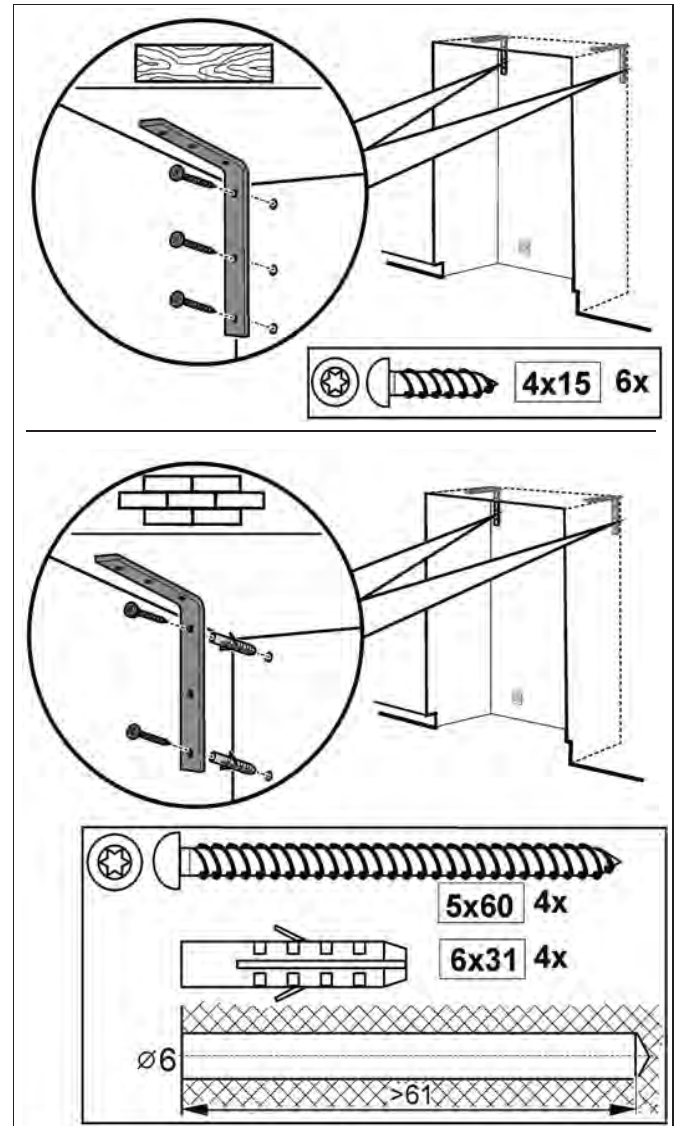
Los ángulos antivuelco (a) deben presentar una longitud mínima sobre el electrodoméstico de $2\frac{1}{8}$ " (54 mm) a fin de asegurar un emplazamiento seguro del equipo.

Si no se puede dar cumplimiento a esta longitud mínima debido a condiciones estructurales, puede lograrse ésto, sujetando un espaciador (b) detrás del ángulo antivuelco, es decir un trozo de madera de dimensiones suficientes.



¡La longitud de la madera debe estar de acuerdo con el ancho del espacio disponible para la instalación!

1. Determine los puntos de sujeción para los ángulos antivuelco.
Determine las medidas en detalle, consultando la sección «Medidas de instalación».
2. Sujete completamente los ángulos antivuelco.
Asegúrese que los tornillos estén firmes.



Notas importantes para la sujeción mediante tarugos y tornillos:

No recomendado para ser usado en material de mampostería liviana como bloques y ladrillos.

No recomendado para ser usado en cemento fresco que no ha tenido tiempo de fraguar.

2. Montaje de un dispositivo antivuelco adicional

Importante:

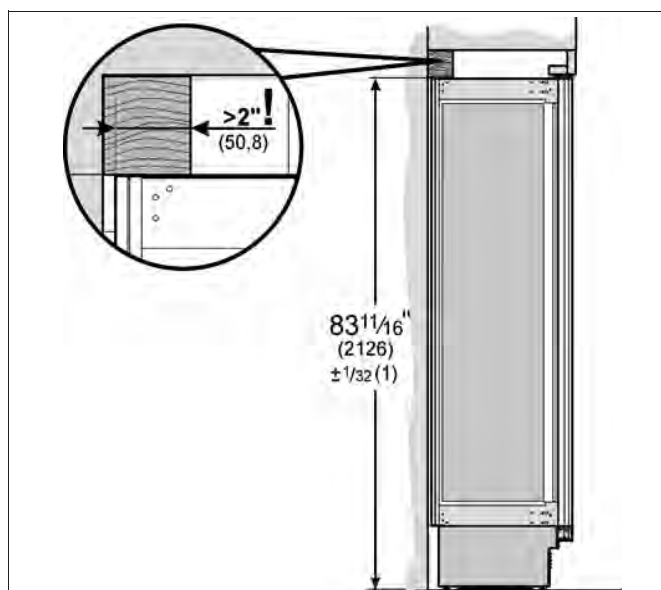
Si no se pueden montar los ángulos antivuelco con la firmeza requerida, puede montarse un dispositivo antivuelco alternativo. Sin embargo, debe asegurarse, de que no exista juego entre el electrodoméstico y el dispositivo antivuelco. Si es posible, atornille las viguetas de madera sobre monturas ya existentes en la pared de la cavidad.

1. Corte la vigueta de madera (sección transversal mín. 3" x 4") a la longitud requerida.

¡La longitud debe ser igual a la anchura de la cavidad de instalación!

Nota:

- Si la cavidad de instalación es más profunda que el electrodoméstico, seleccione una vigueta que presente una sección transversal mayor, o monte dos viguetas.
- La vigueta debe exceder el electrodoméstico en un mínimo de 2" (50,8 mm).



2. Marque la altura de instalación (esquina inferior de la madera) sobre el panel posterior de la cavidad.
3. Seleccione los tornillos de acuerdo al espesor de la vigueta de madera: longitud = mín. 2,5 x el espesor de la vigueta, diámetro # 12 o # 14.

Nota:

Especifique la cantidad de tornillos, de acuerdo al ancho de la cavidad, asegurando que la vigueta quede montada firmemente.

4. Según el tipo de piso:

Ubique la pared vertical cerca de la pared posterior de la cavidad y marque las perforaciones en la vigueta.

o

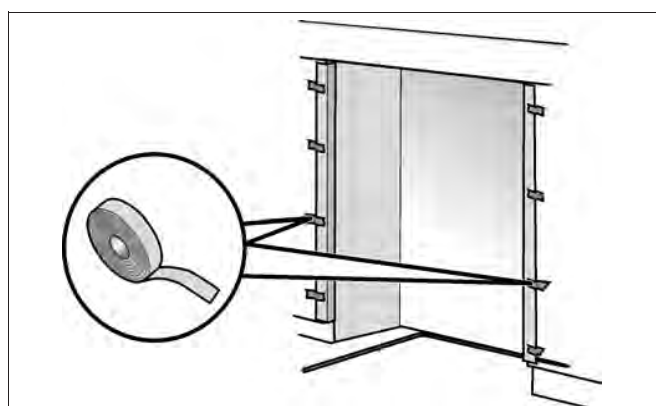
Fijar unos tacos adecuados en el panel posterior del hueco de montaje.

5. Perfore previamente la vigueta de madera.
6. Sujete la vigueta de madera en la pared posterior de la cavidad



3. Protección de las esquinas

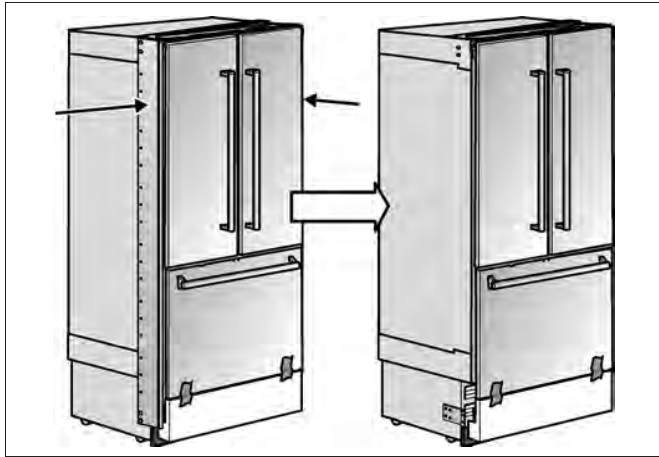
A fin de proteger las esquinas del encerramiento de instalación, es recomendable colocar protección confeccionadas de un material adecuado.



A

4. Quitar el cuadro

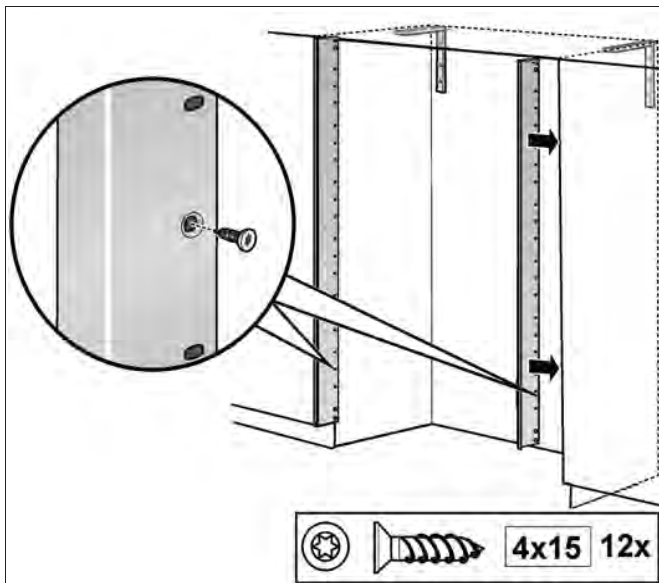
Si se desea una instalación sin las partes del cuadro, puede quitárselas después de aflojar los tornillos.



También es posible sujetar las partes del cuadro directamente en el encerramiento de instalación.

Nota:

Los orificios del cuadro poseen diferentes medidas. Utilizar las perforaciones del chanfle para la sujeción.

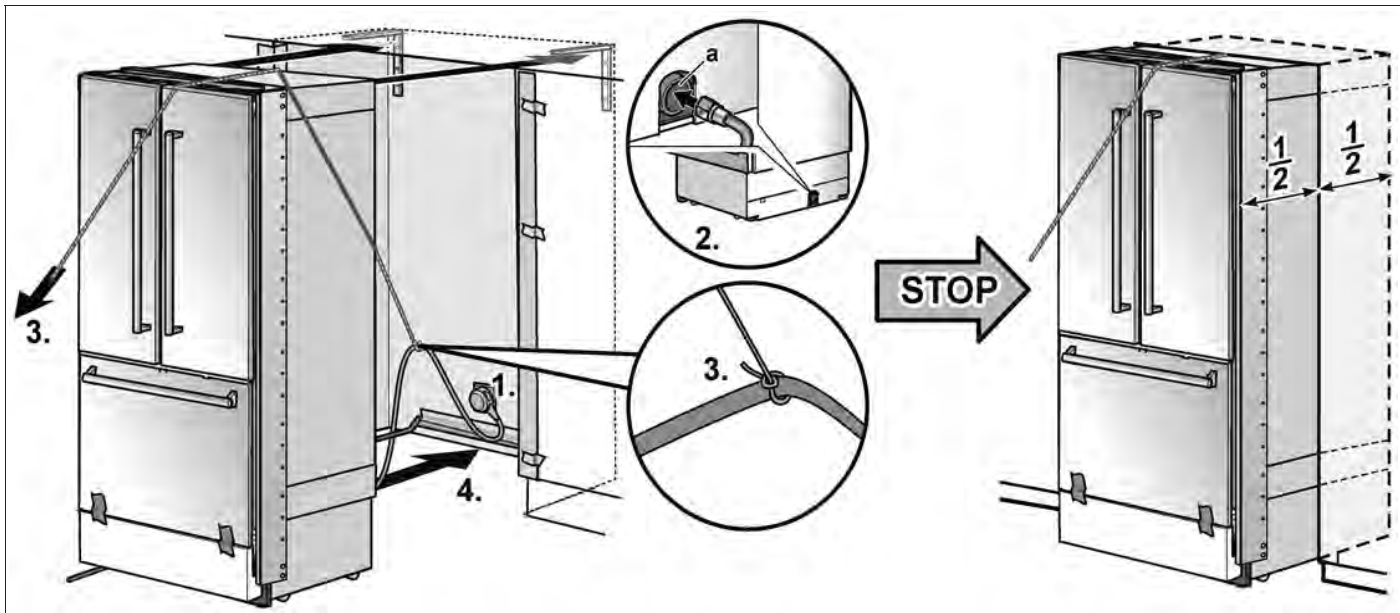


Estos son pasos de instalación especiales. Las instrucciones del caso se dan después de la sección B.

- Por la conexión del agua, ver «Preparación para conectar el agua».

5. Colocando el electrodoméstico en la cavidad de instalación

A



⚠ ATENCIÓN:

Tenga cuidado al empujar el electrodoméstico al interior de la cavidad. No dañe la tubería de agua o el cable de alimentación.

Nota:

Si el piso o el electrodoméstico es inclinado respecto de la cavidad de instalación, ajuste las ruedas ajustables en altura, antes de introducir el electrodoméstico en la cavidad.

1. Conecte el enchufe en el tomacorriente.
2. Introducir la alimentación de agua en el tubo de protección (a) que se encuentra en la parte posterior del electrodoméstico.

⚠ ADVERTENCIA:

Obrar con cuidado para que no se lastimen las personas que ayudan en la instalación ni evitar que se produzcan daños en el electrodoméstico.

El electrodoméstico puede volcar mientras se conecta la alimentación de agua al tubo de conexión.

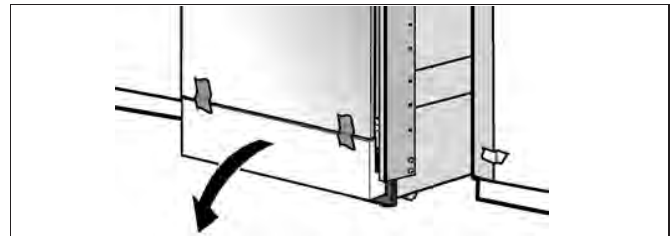
3. A fin de evitar daños en el cable de alimentación, favor de sujetar un trozo de hilo en el medio del mismo, pasando a éste último por encima del electrodoméstico. Al empujar el equipo, favor de tirar el cable hacia arriba. Cuidar de no magullar el cable de conexión.

o bien

Pegue el cable mediante cinta adhesiva en el suelo detrás del electrodoméstico a una distancia aprox. de 15" (380 mm) de la pared posterior de la cavidad.

4. Introducir el electrodoméstico **hasta la mitad** en el encerramiento empujando con cuidado.

5. Quite el seguro de transporte de la parte inferior del electrodoméstico.

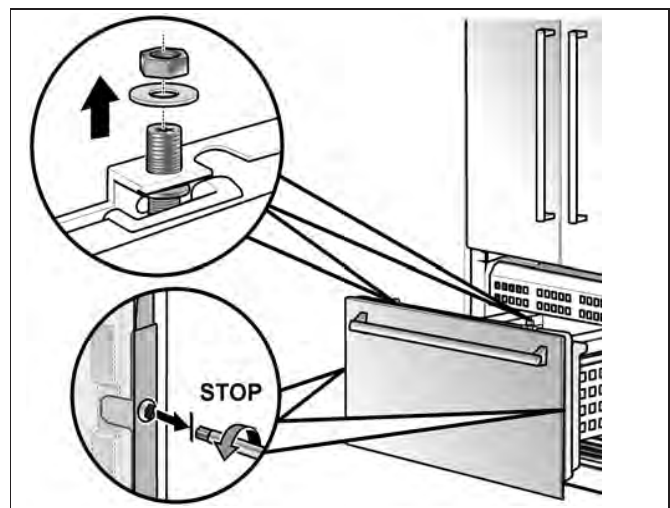


6. Afloje las tuercas en la parte superior de la puerta y desenróquelas.

Nota:

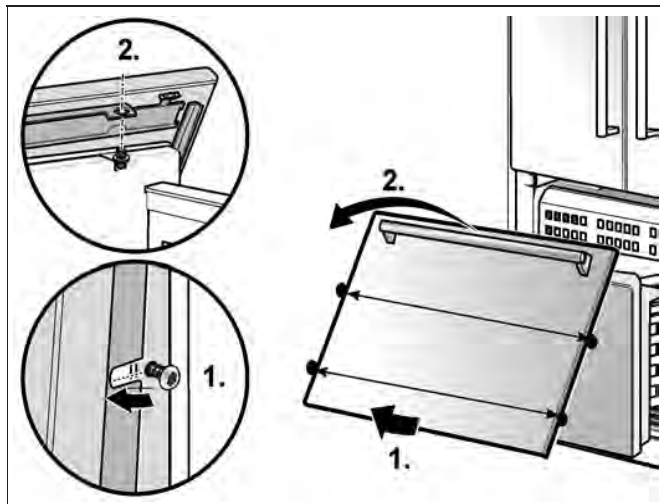
Evite durante este proceso, girar los pernos rosca-dos, a fin de mantener la orientación de la puerta.

7. Afloje los tornillos de los ángulos de sujeción a la derecha y a la izquierda. ¡No desenrosque totalmente los tornillos!

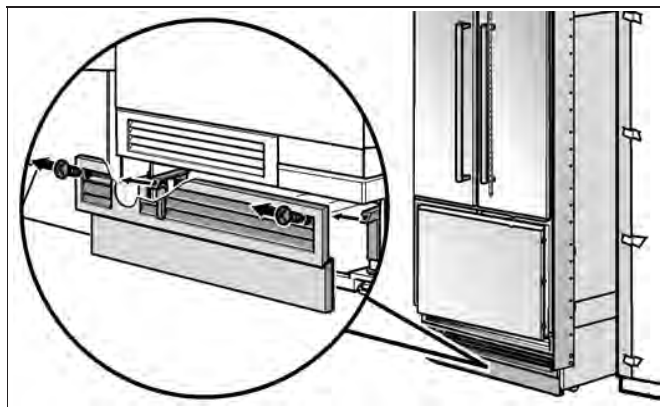


A

8. Alejar la parte inferior del panel frontal de acero inoxidable de la puerta a fin de quitar las placas de sujeción de los tornillos. Levantar luego la puerta sobre los pernos insertados.



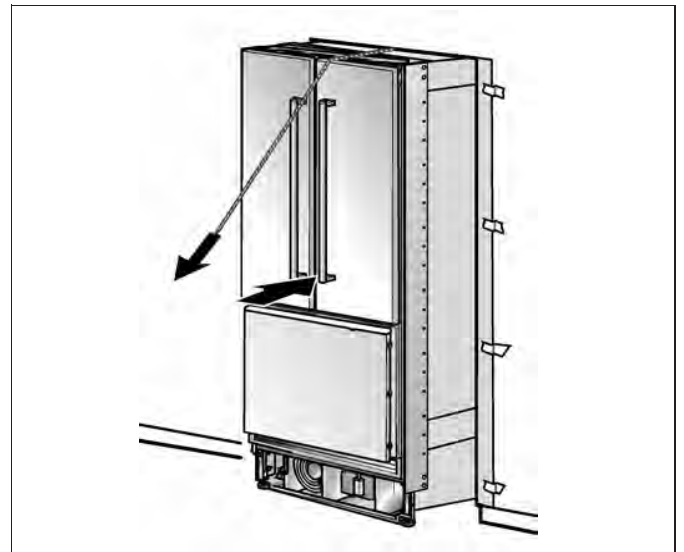
9. Colocar las piezas de sujeción en las placas sin ajustarlas. Cuidar de no perderlas.
10. Desmonte el revestimiento del zócalo del electrodoméstico.



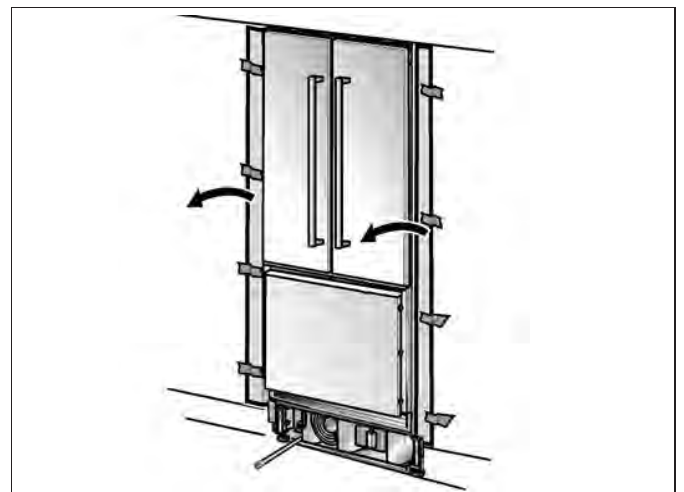
11. Introducir el electrodoméstico en su encerramiento empujando con cuidado.

Empujar hasta que el marco se ubica sobre las paredes del encerramiento (si no ha sido desmontado anteriormente).

Tirar del hilo a fin de evitar magulladuras en el cable de conexión.



12. Quitar la protección de las esquinas (de existir).

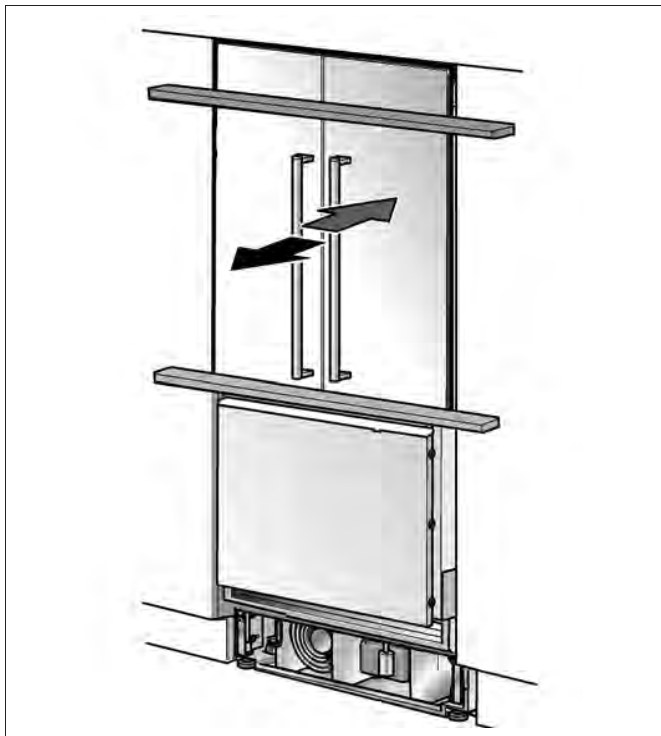


1. Alineación del electrodoméstico

Nota:

- A fin de asegurar que el electrodoméstico funcione correctamente debe estar perfectamente nivelado.
- ¡No gire o presione el electrodoméstico dentro de la cavidad! Cuando desenrosque las patas de altura ajustable, proceda de modo gradual: alterne siempre entre la derecha y la izquierda, repitiendo el proceso alternativamente.
- El ajuste de las patas posteriores se facilita si se descarga la parte posterior del equipo.
- No apoyar el electrodoméstico contra los topes antivuelco.

1. Alinee el electrodoméstico con los frentes de los muebles.



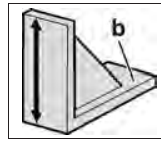
Las ruedas de altura ajustable tanto del frente como de la parte posterior, pueden ajustarse desde el frente.

Frente: Llave de boca de $1/2$ " (13 mm)

Fondo: Destornillador en cruz $5/16$ " (8 mm) con vástago flexible.

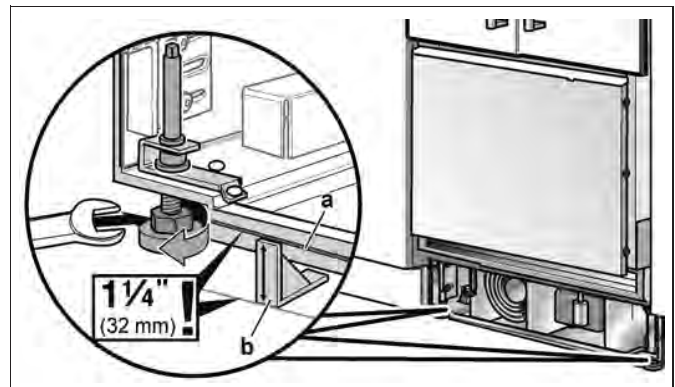
Como medida sugerida para el ajuste de la altura, se ha practicado una marca (a) en la pata del equipo. Durante el ajuste, esta marca (a) debe ajustarse esta marca a una altura de $1\frac{1}{2}$ " (32 mm) sobre el nivel del suelo.

¡Es sumamente importante cumplir con estas medidas, para lograr una buena alineación de los frentes de los muebles!

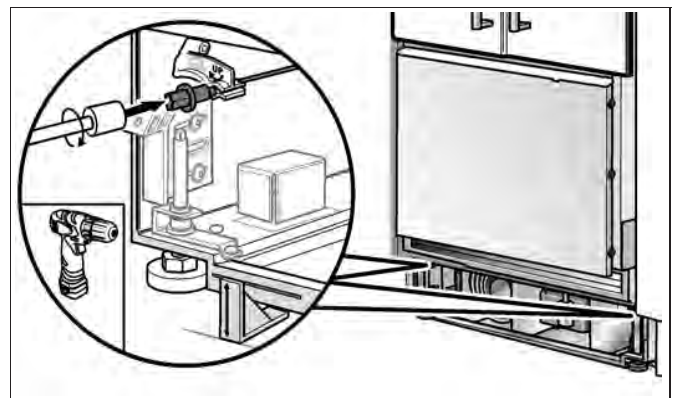


El elemento de ajuste de altura (b) se utiliza para el ajuste correcto de la misma. La esquina superior del elemento debe estar alineada con la marca que se encuentra en el equipo.

2. Desatornillar las patas anteriores del electrodoméstico hasta que la marca (a) que se encuentra en el electrodoméstico se encuentra alineada con la esquina superior del elemento de ajuste (b).



3. Alinear el electrodoméstico en sentido vertical, haciendo uso de las patas posteriores. ¡Utilizar un nivel!



B

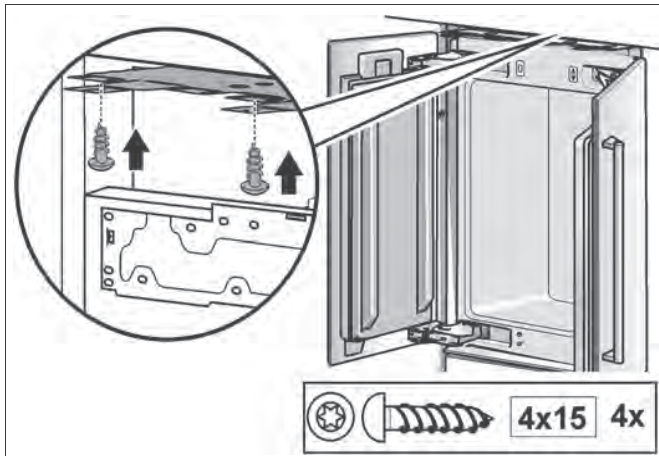
2. Sujutando el electrodoméstico a la parte superior de la cavidad

B

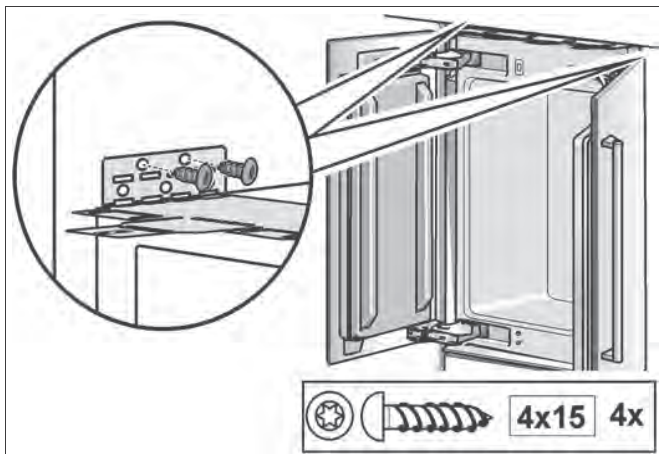
Note:

Es indispensable sujetar el electrodoméstico en la parte superior del encerramiento.

1. Atornille las placas de las eclisas de sujeción (superiores) al mueble o adorno superpuesto.
2. Si en la parte superior del electrodoméstico existe un espacio mayor, es indispensable montar una vigueta de madera de medidas adecuadas, libre de juego sobre el equipo.



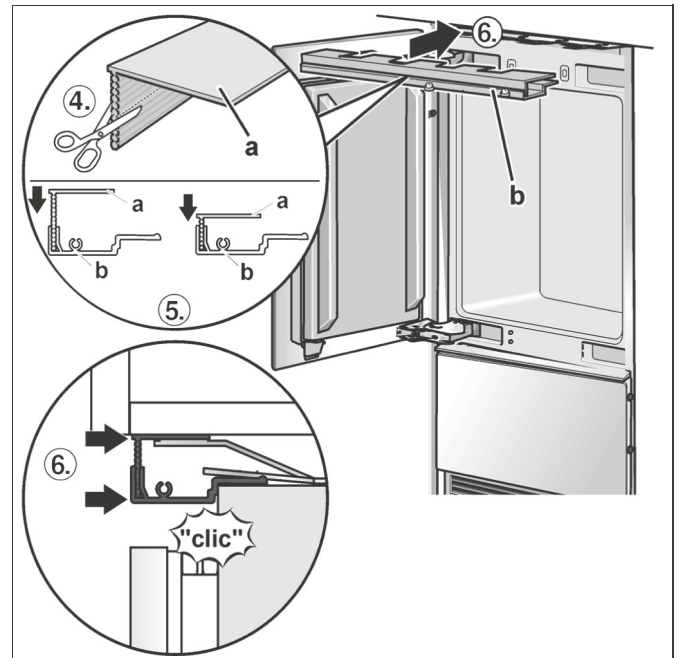
3. Si existe suficiente espacio en la parte superior del electrodoméstico, sujetar las piezas de conexión de las placas de sujeción (superiores) en la pared lateral del encerramiento.



4. Cortar el listón de sujeción (a) para cerrar el espacio libre.

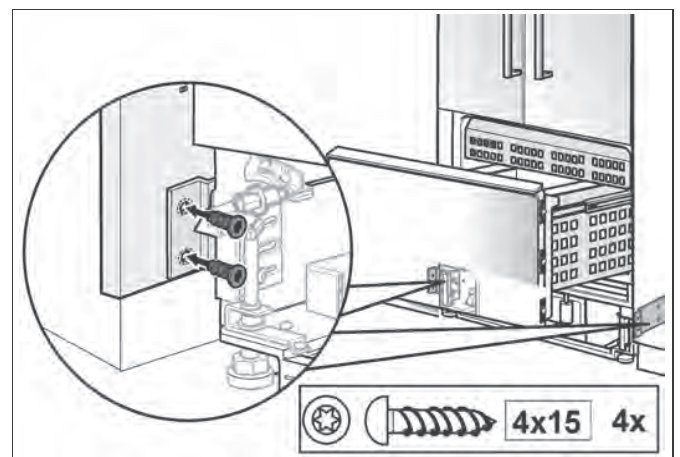
Aviso: El aparato se dañaría si la tira de ajuste es demasiado larga.

5. Presionar el listón de sujeción (a) contra el listón de cobertura (superior).
6. Sujete el listón de cobertura (b) en la placa de montaje (arriba).



3. Sujeción del electrodoméstico en los laterales de la cavidad

1. Abrir la gaveta del compartimento de congelación.
2. Atornillar los elementos de sujeción en la pared lateral del encerramiento de instalación. Atornillar a través de los orificios del marco.

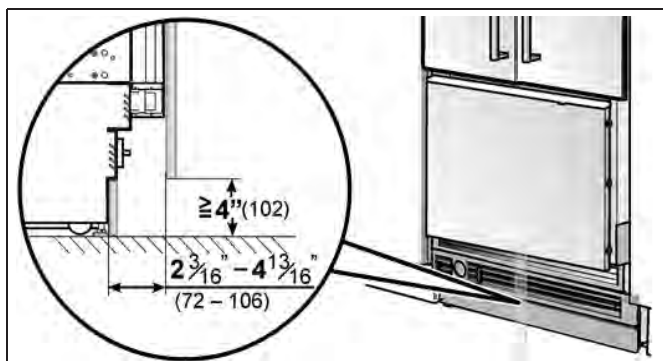


4. Sujeción del panel de protección

Nota:

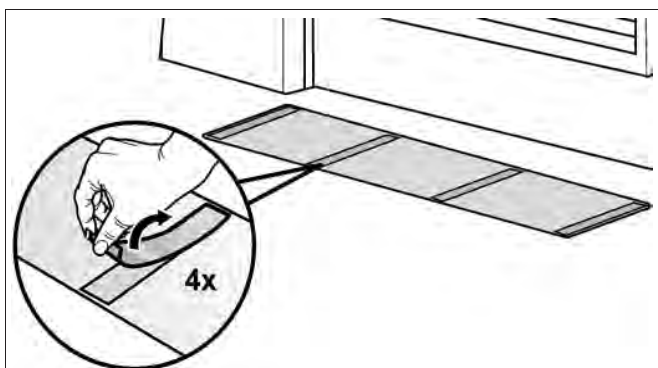
No obture las aberturas de ventilación en el base del panel. Existe riesgo de daños en el electrodoméstico.

Medidas nominales a tener en cuenta:

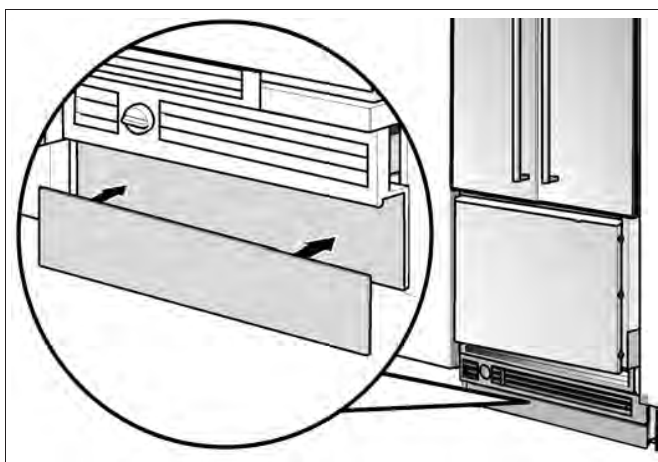


Panel de acero inoxidable (accesorio)

1. Sujetar el panel base en el electrodoméstico (no atornillar).
2. Quitar la película de protección de las bandas adhesivas.



3. Sujetar el panel de protección contra golpes en el panel base y presionarlo firmemente en su sitio.



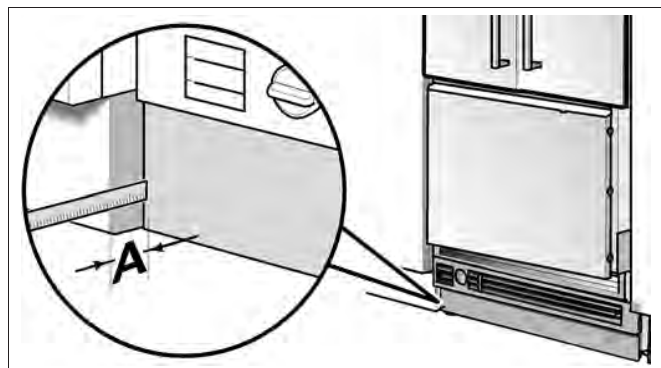
Panel de madera

1. Si hiciera falta, cortar el panel de madera a la longitud necesaria.
2. Atornillar el panel de madera en el panel base desde la parte posterior. También hay perforaciones para los tornillos en el panel base.

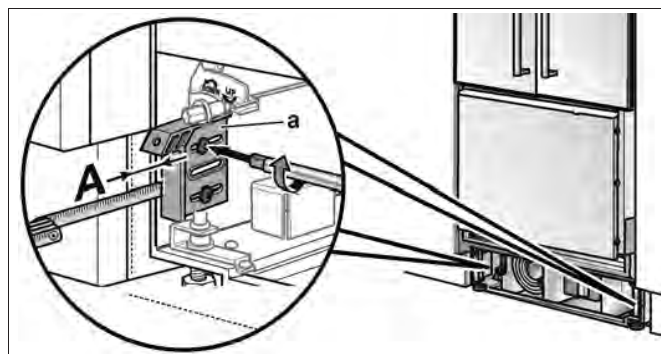
B

5. Alineación del panel de protección

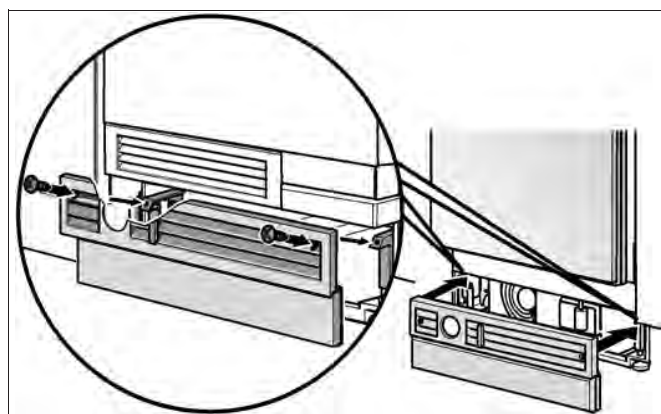
1. Aplique el panel base (sin atornillar) y mida la diferencia **A** entre el panel base y el panel de protección del mueble adyacente.



2. Quite el panel base.
3. Ajustar los topes (a) a la medida **A** y sujetarlos.



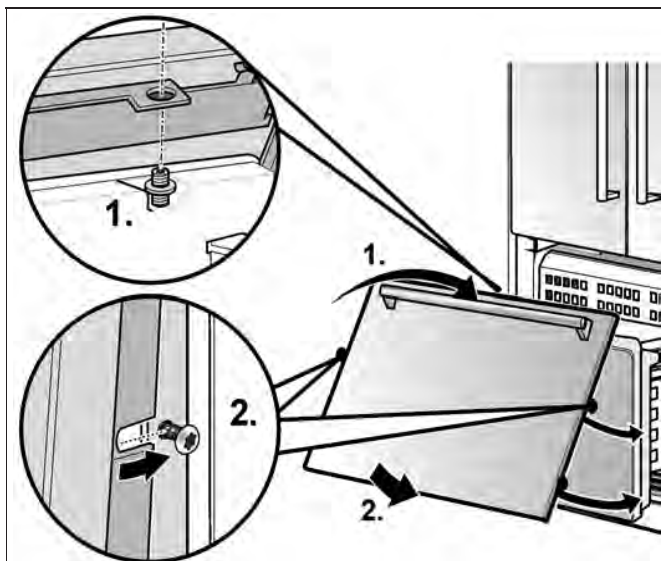
4. Monte el panel base.



6. Montaje del frente de acero inoxidable en la gaveta del compartimiento de congelación

B

1. Colgar el panel frontal de acero inoxidable sobre los dos pernos insertados.
2. Bajar el panel inferior de la puerta y empujar los elementos de sujeción hacia abajo, sobre los tornillos correspondientes.



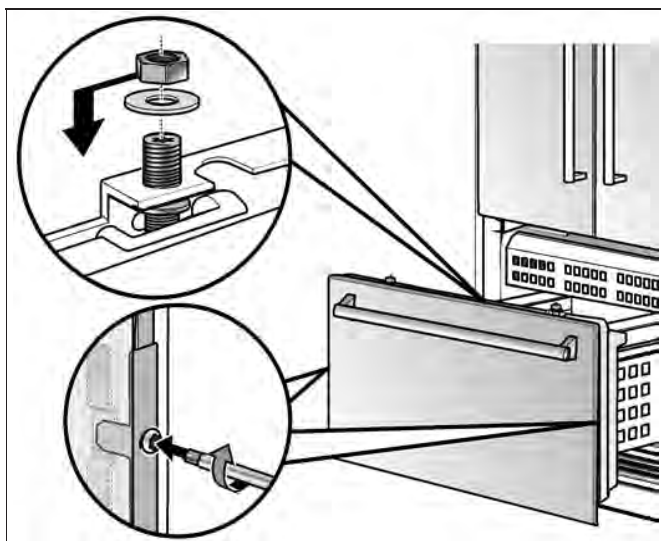
3. Una vez cerrada la puerta del compartimiento, controlar la posición del panel frontal de acero inoxidable con respecto a los paneles frontales de los muebles adyacentes.

Si la alineación es correcta, ajustar los tornillos de los elementos de sujeción.

4. Enroscar las tuercas en los pernos insertados en la parte superior de la puerta. No ajustar todavía.

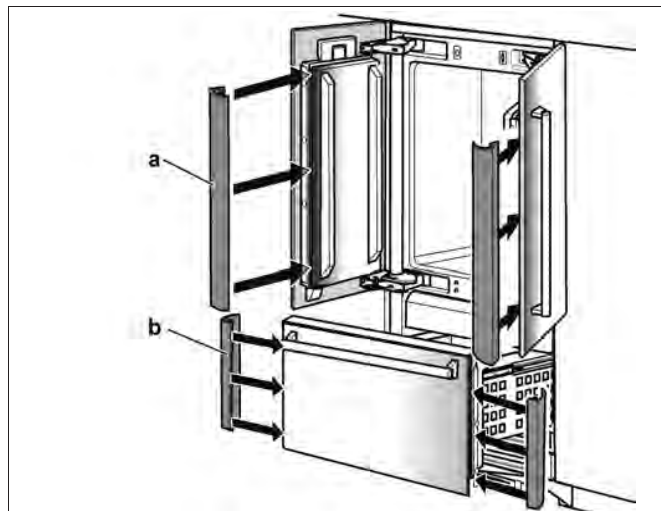
5. Controlar la alineación lateral del panel de acero inoxidable.

Si la alineación es correcta, ajustar las tuercas.

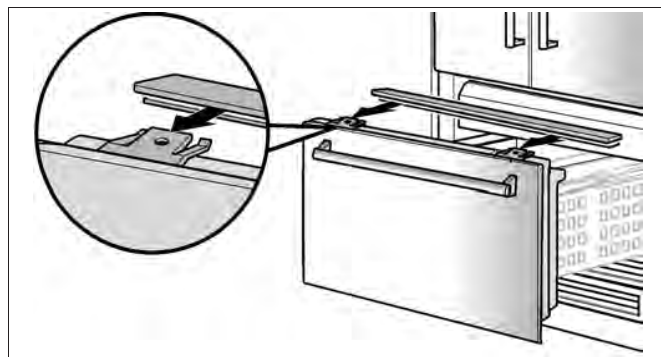


7. Montaje de las cubiertas

1. Encajar los listones de cobertura (a) & (b), por el lado de los tiradores de las puertas, en la rendija entre el frontal de acero inoxidable y la puerta del aparato.



2. Coloque la placa de cobertura en la puerta del compartimiento congelador.

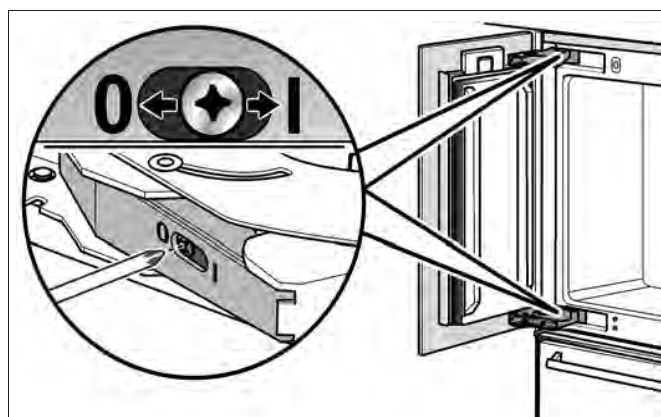


8. Cambio del muelle de la puerta

Girar del tornillo de ajuste mediante un destornillador para ranura en cruz.

I = aumenta la tensión del muelle

0 = disminuye la tensión del muelle



Instalación especial

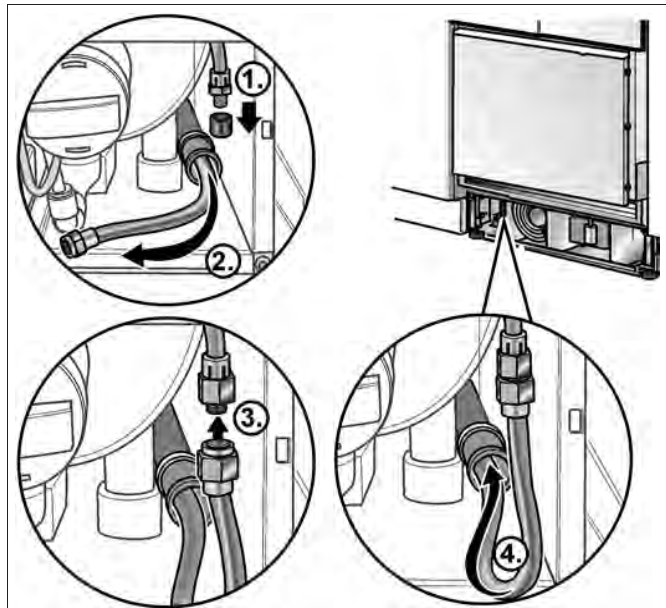
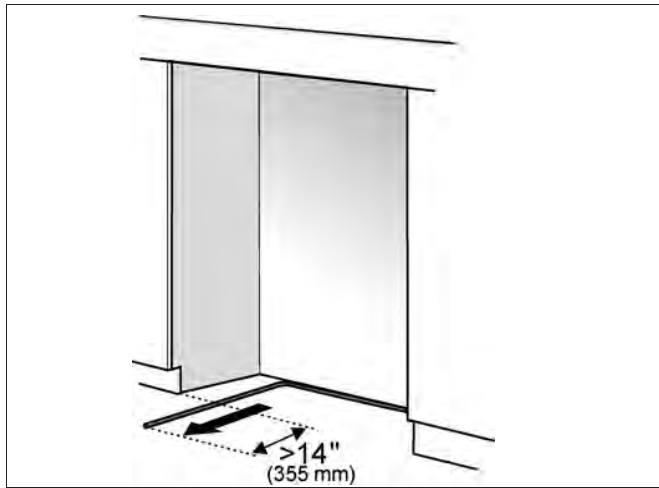
Preparación para conectar el agua

(solamente si el electrodoméstico requiere de una conexión de agua)

Nota:

Cierre la llave principal de agua, a fin de evitar daños debidos a la pérdida de agua.

1. Monte la tubería de conexión a la válvula de cierre, según las instrucciones suministradas por el fabricante de la instalación generadora de hielo.
2. Instale la tubería de conexión. Observe siempre las medidas de separación indicadas, a fin de evitar daños en la tubería de conexión, cuando coloca el electrodoméstico en su sitio.



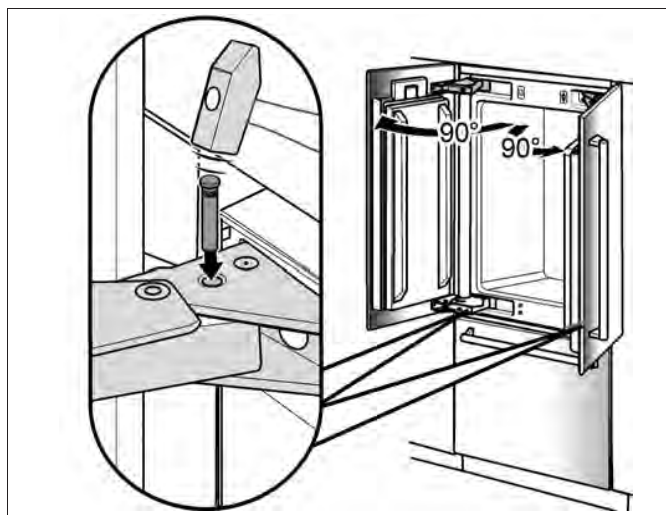
7. Abra la válvula de cierre y la llave general.
8. Controle la válvula de cierre y la conexión en el electrodoméstico, para localizar eventuales pérdidas.
9. Cierre la llave general de agua.

Ajuste del ángulo de apertura de la puerta

Dependiendo de las condiciones de instalación, puede ser necesario ajustar el ángulo de apertura de la puerta. En fábrica se ha ajustado un ángulo de apertura de 115°.

A fin de ajustar el ángulo de apertura a 90°:

1. Abrir la puerta a 90°.
2. Introducir el perno limitador a través de las dos perforaciones ahora enfrentadas, golpeando con un martillo.



Conexión del agua al electrodoméstico

Nota:

Cuando conecte la tubería de agua, no la retuerza. De lo contrario existe el riesgo que se produzcan pérdidas de agua.

1. Quite la capa de la conexión del electrodoméstico (1.).
2. Doble la tubería de agua de acuerdo con la ubicación de la conexión del electrodoméstico (2.).
3. Empuje la tuerca de unión, sellando la unión sobre la tubería de agua.
4. Empuje el extremo de la tubería de agua, hasta que penetre en la conexión del electrodoméstico y enrosque la tuerca de unión (3.). Ajuste con la mano.
5. Ajuste la tuerca de unión mediante la llave de boca. ¡No fuerce la rosca!
6. Volver a conectar la línea de conexión de agua en el tubo correspondiente tan rápido como sea posible (4.).





BSH Home Appliances Corporation

1901 Main Street, Suite 600, Irvine CA 92614 · 1-800-944-2904

www.boschappliances.com · © BSH Home Appliances Corporation 2011

8001069843 (9704)

en-us, es-mx, fr-ca