



Register your new Bosch now:  
[www.bosch-home.com/welcome](http://www.bosch-home.com/welcome)




















**Refrigerator-freezer**  
**Réfrigérateur / congélateur combiné**  
**Refrigerador/congelador**  
**B36CD...**



**BOSCH**

<b>en</b>	Installation and Using Instructions .....	2
<b>fr</b>	Notice de montage et d'utilisation .....	35
<b>es</b>	Instrucciones de uso y montaje .....	69

# en Table of contents

 <b>Important safety instructions</b> .....	<b>3</b>	Light of ice and water dispenser. ....	21
Definitions .....	3	Setting the bottle fill water amount .....	22
About these instructions .....	3	Switching the ice and water dispenser and ice maker on or off .....	22
Introduction .....	3	 <b>Alarm</b> .....	<b>22</b>
Restriction of user group .....	3	Door alarm .....	22
Risk of explosion .....	3	Temperature alarm .....	22
Risk of electric shock .....	3	 <b>Home Connect</b> .....	<b>23</b>
Risk of cold burns .....	4	Setting up Home Connect .....	23
Risk of injury .....	4	Installing updates for the Home Connect software .....	24
Fire hazard/Danger due to refrigerants .....	4	Information on data protection .....	25
Risk of fire .....	4	Remote Diagnostics .....	25
Risk of suffocation .....	4	 <b>Refrigerator compartment</b> .....	<b>25</b>
Damage .....	4	Vegetable bin .....	25
Weight .....	4	Cold storage bin .....	26
State of California Proposition 65 Warnings .....	4	Note when storing food .....	26
 <b>Intended use</b> .....	<b>5</b>	 <b>Freezer compartment</b> .....	<b>26</b>
 <b>Environmental protection</b> .....	<b>5</b>	 <b>Ice and water dispenser</b> .....	<b>26</b>
Packaging .....	5	Before using the appliance for the first time. ....	26
Old appliances .....	5	Observing drinking water quality .....	26
 <b>Installation and connection</b> .....	<b>5</b>	Operation of the ice and water dispenser. ....	27
Contents of package .....	5	Dispensing ice or water .....	27
Technical data .....	5	Bottle fill option .....	27
Installing the appliance .....	5	 <b>Defrosting</b> .....	<b>27</b>
Saving energy .....	12	 <b>Cleaning</b> .....	<b>28</b>
Before using for the first time .....	13	Cleaning the appliance interior .....	28
Water connection .....	13	Cleaning the equipment .....	28
Electrical connection .....	13	 <b>Odors</b> .....	<b>30</b>
 <b>Getting to know your appliance</b> .....	<b>14</b>	 <b>Lighting</b> .....	<b>30</b>
Appliance .....	14	 <b>Noises</b> .....	<b>31</b>
Operating controls .....	15	Normal noises .....	31
Ice and water dispenser .....	16	Preventing noises .....	31
Equipment .....	16	 <b>Troubleshooting – what to do?</b> .....	<b>31</b>
 <b>Operating the appliance</b> .....	<b>19</b>	Appliance .....	31
Switching the appliance on .....	19	Dispenser .....	32
Switching off and disconnecting the appliance ..	19	 <b>Customer service</b> .....	<b>34</b>
Setting the temperature unit .....	19	Appliance self-test .....	34
Setting the temperature .....	20	Warranty statement .....	34
Super cooling .....	20		
Super freezing .....	20		
Energy saving mode .....	20		
Freshness mode .....	20		
Vacation mode .....	20		
Sabbath mode .....	21		
Setting the light .....	21		
Change filter alarm .....	21		
Switching the ice and water dispenser button lock (child lock) on or off .....	21		

# Important safety instructions

READ INSTRUCTIONS - DO NOT DISCARD!

## Definitions

### WARNING

Non-compliance with safety information that could lead to a dangerous situation with risk of death or serious injury.

### CAUTION

Non-compliance with safety information that could lead to a dangerous situation with risk of injury.

**NOTICE:** Non-observance of this information could damage the appliance.

**Note:** This indicates important information and/or tips.

## About these instructions

- Read and follow the operating and installation instructions. They contain important information on how to install, use and maintain the appliance.
- Retain all documents for subsequent use or for the next owner.

## Introduction

- This appliance complies with the relevant safety regulations for electrical appliances.
- The refrigeration circuit has been checked for leaks.

## Restriction of user group

- Avoid placing children and vulnerable persons at risk.
- This appliance may be used by children and persons who have reduced physical, sensory or mental abilities or inadequate experience and/or knowledge, provided they are supervised or have been instructed on how to use the appliance safely and have understood the resulting dangers.


- Children should be supervised to ensure that they do not play with the appliance.

## Risk of explosion

- Never use electric devices inside the appliance (e.g. heaters or electric ice makers).
- Do not store products which contain flammable propellants (e.g. spray cans) or explosive substances in the appliance.
- Only store high-proof alcohol tightly closed and standing up.
- Do not use other means to accelerate the defrosting process other than those recommended by the manufacturer.

## Risk of electric shock

Improper installations or repairs may put the user at considerable risk.

- When installing the appliance, make sure that the power cord does not get jammed or damaged.
- In order to avoid danger, if the power cord is damaged, disconnect the appliance from the power source immediately. Have the power cord replaced by the manufacturer, customer service or a similarly qualified person.
- Do not use multiple outlets, extension cords, or adapters.
- Before servicing the appliance or carrying out installation work, disconnect the appliance from the power source or switch off the circuit breaker.
- Before cleaning the appliance, press the  power button to turn the appliance off. Glass shelves and other equipment can be moved while the appliance is switched on.
- Never cut through or remove the power cord's third conductor (grounding conductor).
- Never defrost or clean the appliance using a steam cleaner. The steam may penetrate electrical parts and cause a short circuit.

# Important safety instructions

READ INSTRUCTIONS - DO NOT DISCARD!

- The appliance, cord and accessories should only be repaired or replaced by the manufacturer or an authorized service provider.
- Only use original parts supplied by the manufacturer. These parts come with a warranty from the manufacturer that they satisfy the safety requirements.

## Risk of cold burns

- Never put frozen food straight from the freezer compartment into your mouth.
- Avoid prolonged skin contact with frozen food, ice or any other surface inside the freezer compartment.

## Risk of injury

- Containers with carbonated drinks may burst.
- Do not store containers which contain carbonated drinks in the freezer compartment.



## Fire hazard/Danger due to refrigerants

The tubes of the refrigeration circuit contain a small quantity of an environmentally friendly but flammable refrigerant (R600a). If the refrigerant escapes, it may injure your eyes or ignite.

- Do not damage the tubes.

If the tubes are damaged:

- Keep open flames and ignition sources away from the appliance.
- Ventilate the room.
- Switch off the appliance and unplug the power cord.
- Please contact customer service.



## Risk of fire

Portable multi-outlet power strips and portable power supplies may overheat, causing a fire.

- Never leave portable multi-outlet power strips or portable power supplies behind the appliance.

## Risk of suffocation

- Keep children away from the packaging and its parts.
- To avoid having children climb into the appliance, never remove the partition wall of the frozen food bin (large).

## Damage

To avoid damage:

- Do not stand or lean on the base, runners or doors.
- Keep plastic parts and door seals free of oil and grease.
- Pull the power plug – not the power cord.

## Weight

The appliance is very heavy. The appliance should always be transported and set up by at least 2 people.

→ *"Installation and connection" on page 5*

## State of California Proposition 65 Warnings

This product may contain a chemical known to the State of California, which can cause cancer or reproductive harm. Therefore, the packaging of your product may bear the following label as required by California:

STATE OF CALIFORNIA PROPOSITION 65 WARNING: /  
AVERTISSEMENT ISSUE DE LA PROPOSITION 65  
DE L'ÉTAT DE LA CALIFORNIE:



**WARNING /  
AVERTISSEMENT**

Cancer and Reproductive Harm / Cancer et dommages à la  
reproduction - [www.P65Warnings.ca.gov](http://www.P65Warnings.ca.gov).

## Intended use

Use this appliance

- only for cooling and freezing food, ice making and water dispensing.
- only in the home and in the home environment.
- only according to these operating instructions.

This appliance is intended for use at an altitude of max. 13123 ft (4000 meters) above sea level.

## Environmental protection

### Packaging

All materials are environmentally safe and recyclable:

- Dispose of packaging in an environmentally responsible manner.
- Please ask your dealer or inquire at your local authority about current means of disposal.

### Old appliances

Valuable raw materials can be reclaimed by recycling old appliances.

#### **WARNING**

**CHILDREN MAY BECOME LOCKED IN THE APPLIANCE AND SUFFOCATE!**

Before disposing of your old appliance:

- Remove the doors and drawer.
- Leave shelves and bins in the appliance to prevent children from climbing in.
- Keep children away from the discarded appliance.

#### **CAUTION**

**REFRIGERANT AND HARMFUL GASES MAY ESCAPE.**

Do not damage the tubes of the refrigeration circuit and insulation.

1. Pull out the power cord.
2. Cut through the power cord.
3. Have the appliance disposed properly.

## Installation and connection

### Contents of package

After unpacking, check all parts for damage during transportation.

In the event of damage, contact your dealer or our customer service.

→ "Customer service" on page 34

The delivery consists of the following parts:

- Free-standing appliance
- Installation material
- Equipment (depending on model)
- Installation and Using Instructions
- Statement of limited product warranty
- Information on the energy consumption and noises

### Technical data

Refrigerant, cubic capacity and further technical specifications can be found on the rating plate.

→ "Getting to know your appliance" on page 14

### Installing the appliance

#### Installation location

Follow these instructions when installing your appliance.

#### **WARNING**

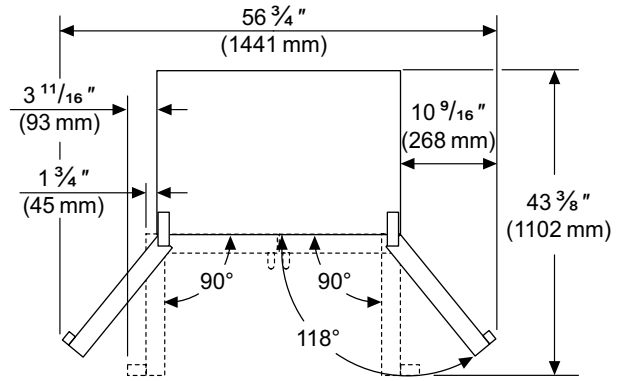
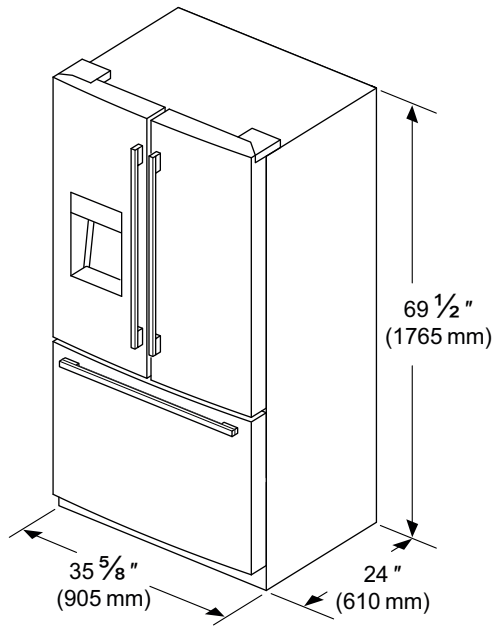
**RISK OF EXPLOSION!**

If the appliance is installed in a space that is too small, a leak in the refrigeration circuit may result in a flammable mixture of gas and air. Only install the appliance in a space with a volume of at least 36 ft<sup>3</sup>(1 m<sup>3</sup>) per 0.3 oz (8 g) of refrigerant. The amount of refrigerant is indicated on the rating plate.

→ "Getting to know your appliance" on page 14

Depending on the model, the weight of the appliance factory-made may be up to 320 lb (145 kg). The subfloor must be sufficiently stable to bear the weight of the appliance.

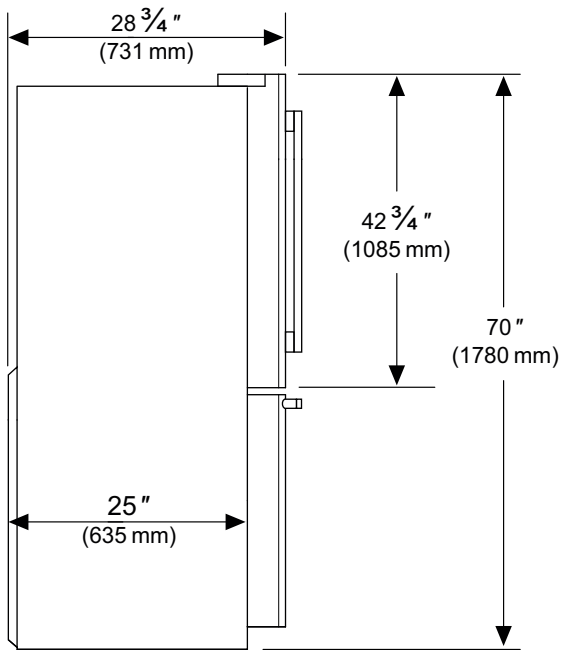
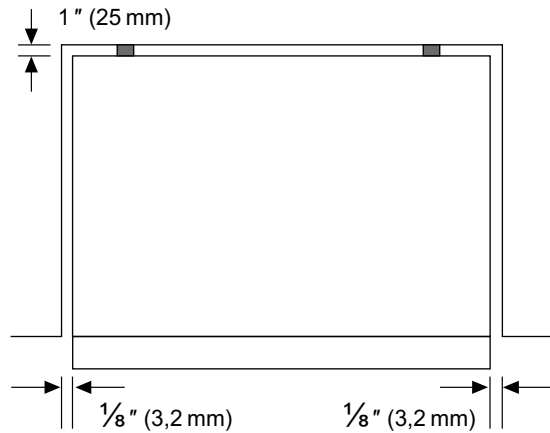
### Installation dimensions



### Minimum clearances

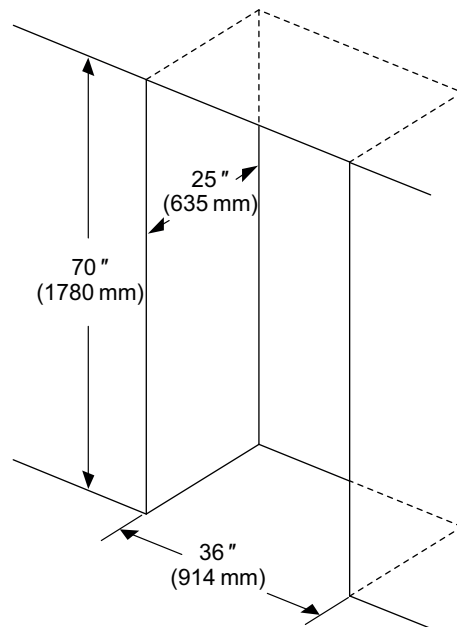
Leave a clearance of 1/2" (12.7 mm) above the appliance.

Observe minimum clearances as follows:



### Niche dimensions

If you install the appliance in a niche, adhere to the following dimensions:



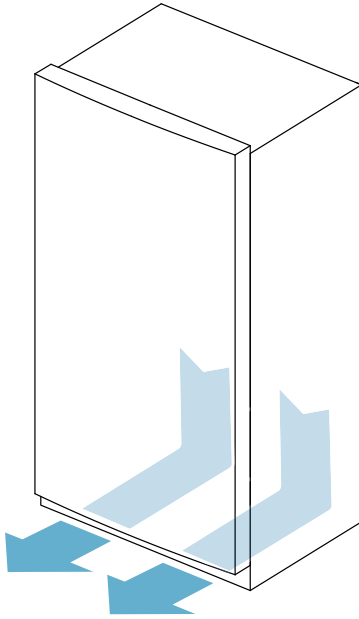
### Door opening angle

If the installation location limits the door opening angle to less than 118°, buy a 90° door stopper from our customer service.

→ "Customer service" on page 34

### Ventilation

Never cover or block ventilation openings.

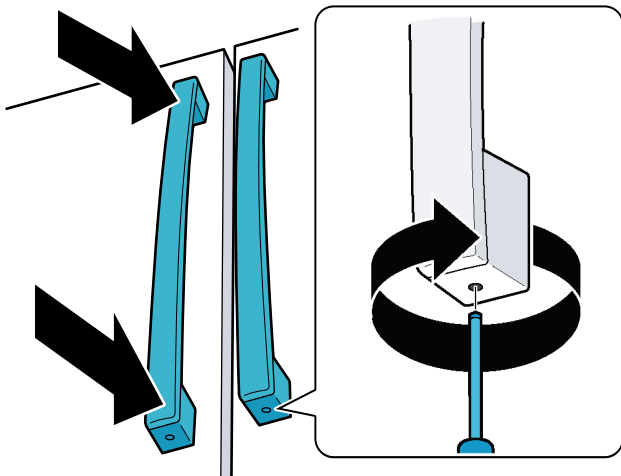


### Installing the door handle

1. Fit the handle vertically onto the pre-assembled bolts.

**Note:** The holes in the handle must face up and down.

2. Use a 2.5 mm Allen wrench to tighten the top and bottom pre-assembled screws clockwise.

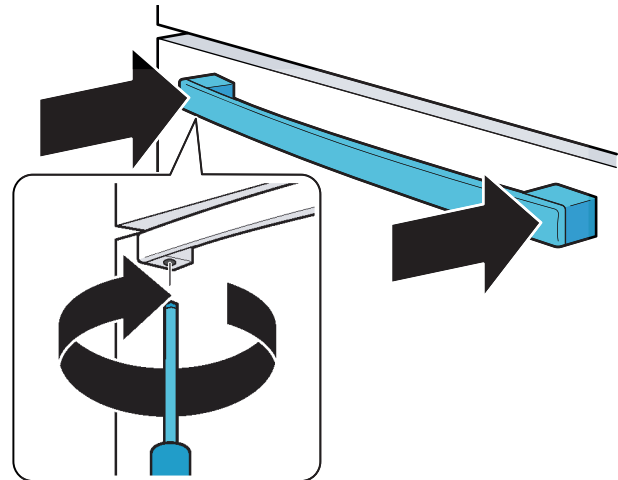


### Installing the drawer handle

1. Fit the handle horizontally onto the pre-assembled bolts.

**Note:** The holes in the handle must be facing down.

2. Use a 2.5 mm Allen wrench to tighten the bottom pre-assembled screws clockwise.



### Aligning the appliance

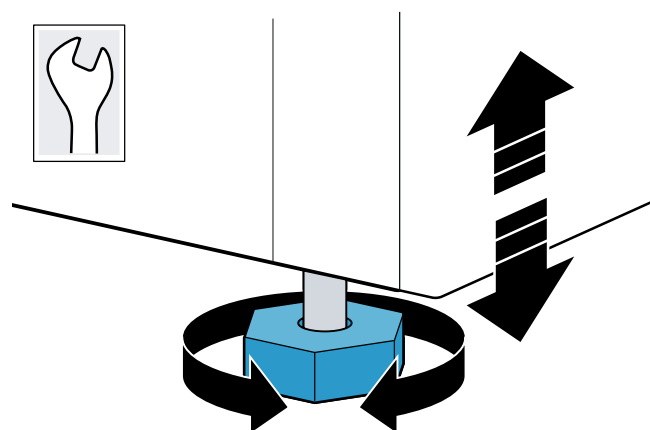
#### ⚠ CAUTION

- To avoid damaging the floor, always move the appliance with the height-adjustable feet screwed upwards.
- The two front height-adjustable feet must always be in contact with the floor to avoid the appliance from rolling or tipping when the door is opened.

Rollers are located under the appliance for easy movement and alignment:

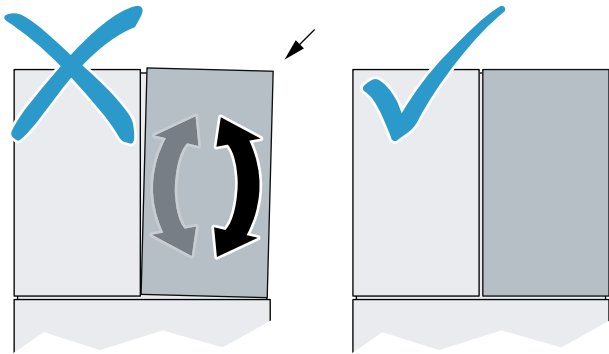
1. Place the appliance vertically on a firm and leveled floor.
2. Using a wrench, screw down both of the front height-adjustable feet so that they touch the floor.
3. Compensate for floor unevenness with the front height-adjustable feet.

**Note:** To align, use a level.



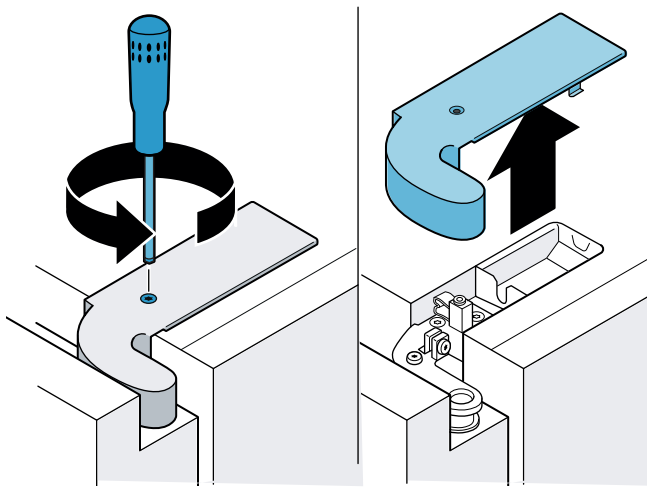
### Align refrigerator compartment doors

#### Aligning the vertical gap of the doors:



**Note:** Remove any items contained in the doors.

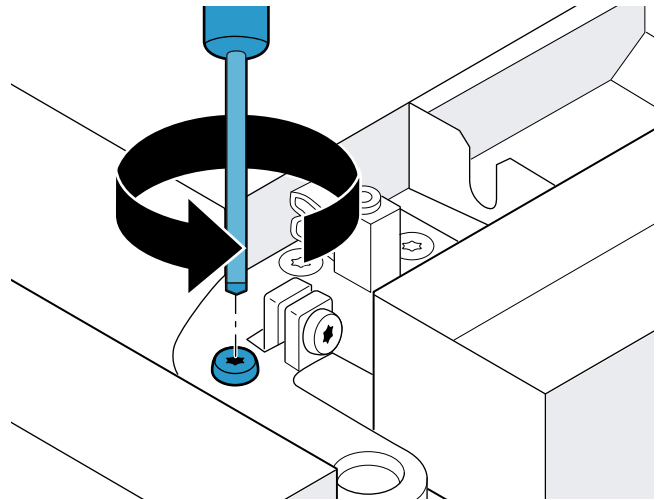
1. Remove T20 screw and cover cap on the door hinge.



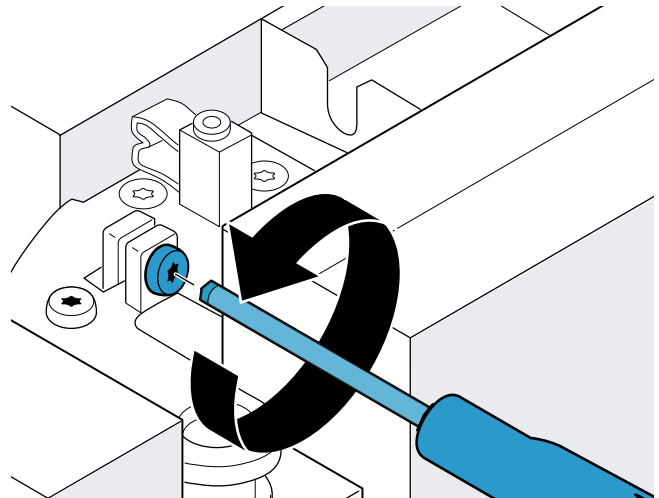
2. Loosen the safety screw.

#### **CAUTION**

Do not remove the safety screw.

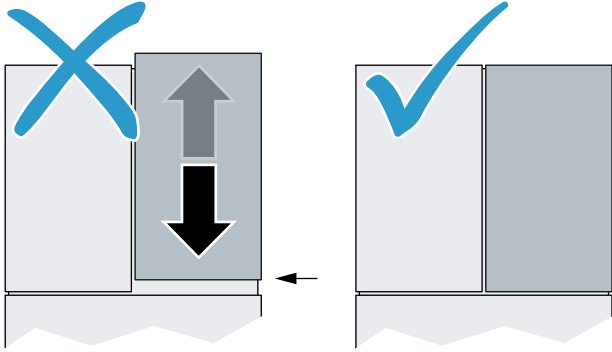


3. With the door closed, turn the adjustment screw until the desired position is reached.
  - To move the upper end of the door outwards, turn clockwise.
  - To move the upper end of the door inwards, turn counterclockwise.



4. Close the door to check the position and correct if necessary.
5. Tighten the safety screw again.
6. Fit the cover cap and screw in T20 screw again.

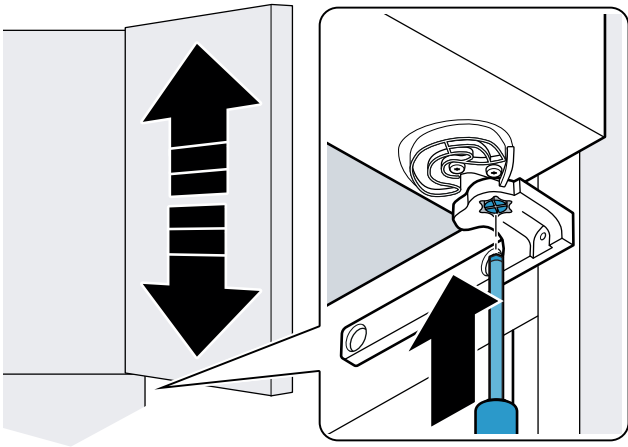


**Aligning the horizontal gap between the doors and drawer:****⚠ CAUTION**

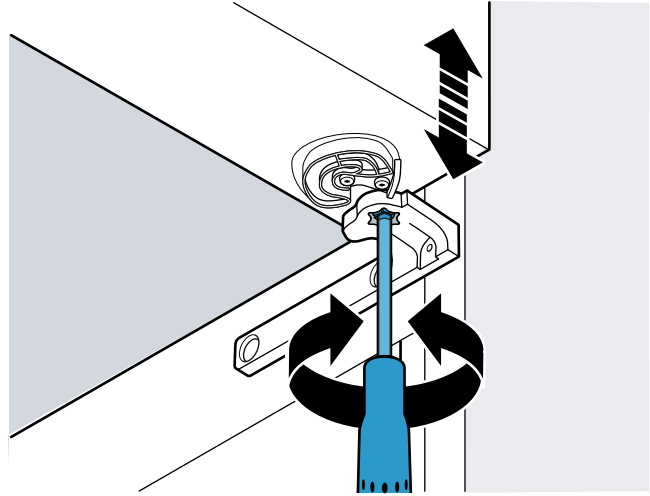
To avoid damaging the appliance, move the right-hand door down if the top of the door pillar interferes with the housing.

**Note:** Remove any items contained in the doors.

1. Open the door and drawer.
2. Lift the door and insert a screwdriver into the door hinge from below.



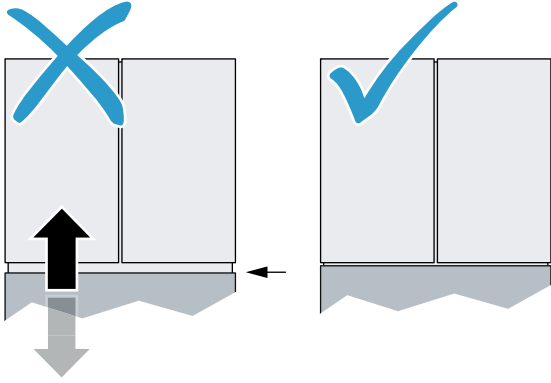
3. Push up the adjustable part and turn by 60° until the desired position is reached.
  - The door height can be set at 2 levels, adjusted by 1/16" (1.6 mm) in each case. The higher level is followed by the lower. The adjustable part engages as soon as a position is reached.
  - To move the door up, turn clockwise.
  - To move the door down, turn counterclockwise.



4. Close the door and drawer to check the position and correct if necessary.

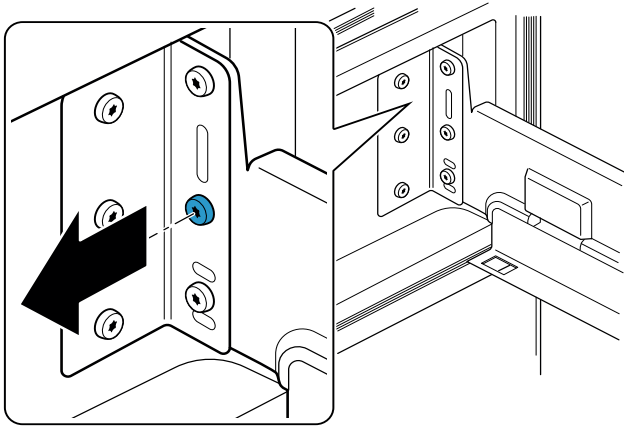
### Aligning the drawers

You can align the drawer vertically:



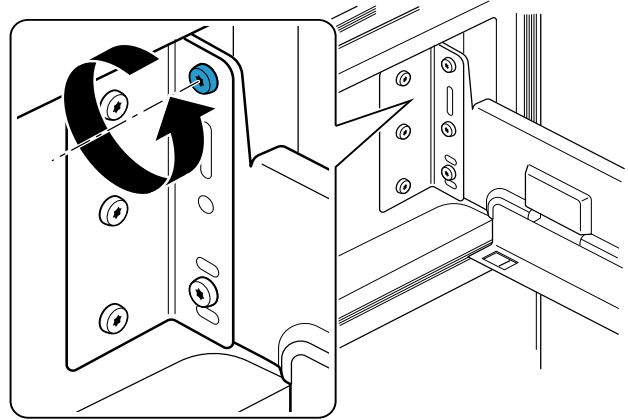
1. Open the drawer as far as it will go and remove the bin.
2. Remove the center screw on both sides.

**Note:** If you want to reset the drawer to the factory settings, keep the screws.



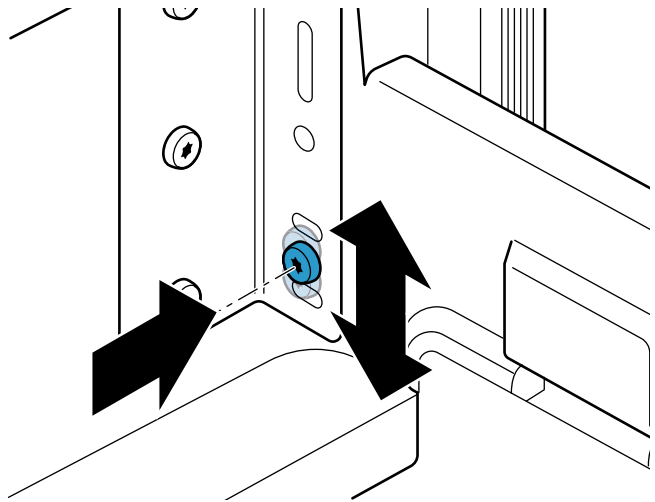
3. Loosen the upper screw on both sides.

**Note:** Do not remove the screws.



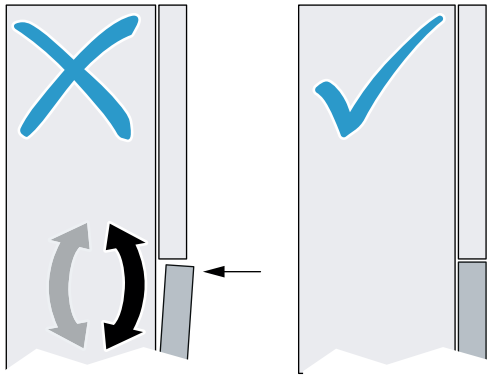
4. Lift the drawer and remove the lower screw on both sides.
5. Move the drawer up or down to the required position and screw the lower screw into one of the available holes.

**Note:** The drawer can be adjusted by 1/16" (1.6 mm) up and down.



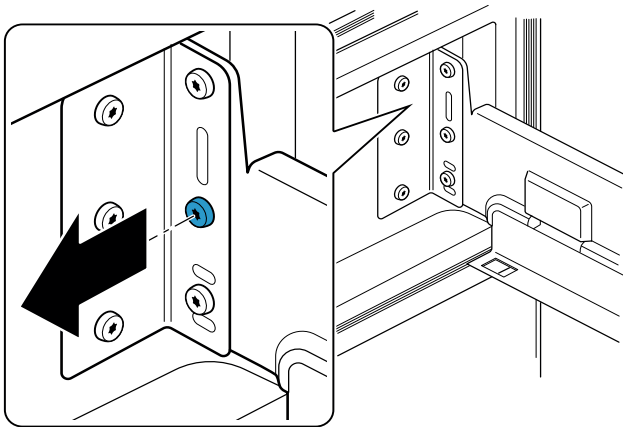
6. Retighten all the screws.
7. To check the position, close the drawer and correct if necessary.

**You can adjust the angle of the drawer:**



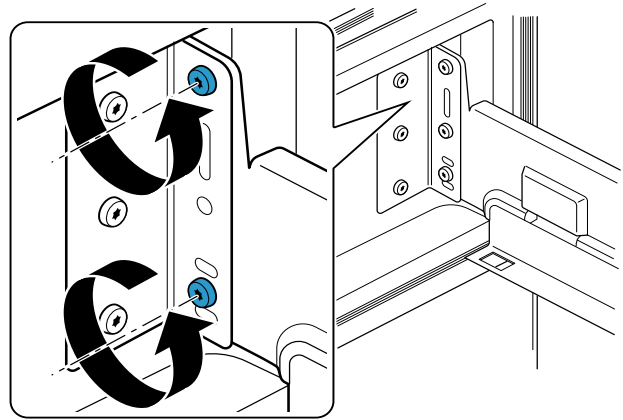
1. Open the drawer as far as it will go and remove the bin.
2. Remove the center screw on both sides.

**Note:** If you want to reset the drawer to the factory settings, keep the screws.

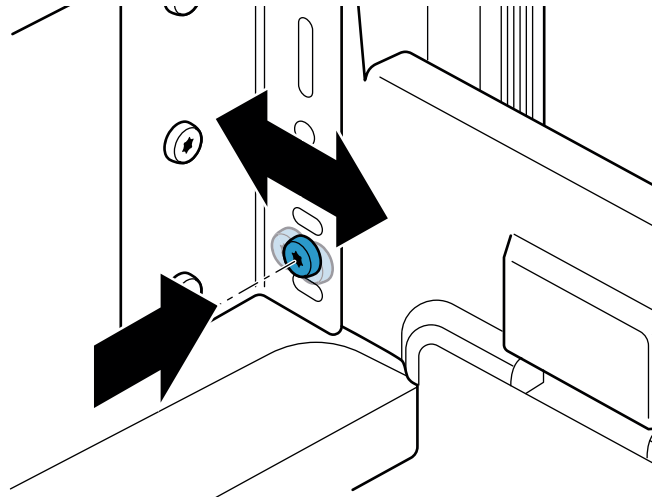


3. Loosen the upper and lower screw on both sides.

**Note:** Do not remove the screws.



4. Move the drawer on the lower screw to the left or right into the required position and tighten the screw.



5. Retighten all the screws.
6. To check the position, close the drawer and correct if necessary.

## Saving energy

If you follow the instructions below, your appliance will use less power.

**Note:** The arrangement of the equipment does not affect the energy consumption of the appliance.

Installing the appliance	
Keep the appliance out of direct sunlight.	The appliance needs to cool less frequently at low ambient temperatures and therefore consumes less power.
Install the appliance as far away as possible from heating elements, cooker and other heat sources: At least 1 1/4" (3 cm) from electric or gas cookers. At least 1 3/4" (30 cm) from oil or solid-fuel cookers.	
Select an installation location at a room temperature of approx. 68 °F (20 °C).	
Do not cover or block the ventilation openings.	
Ventilate the room daily.	The appliance needs to cool less frequently if the warm air can escape and therefore consumes less power.
Using the appliance	
Open the appliance door only briefly.	The air in the appliance does not warm up as intensely. The appliance needs to cool less frequently and therefore consumes less power.
Transport purchased food in a cooler and place in the appliance quickly.	
Allow warm food and drinks to cool down before placing in the appliance.	
Thaw frozen food in the refrigerator compartment to utilize the low temperature of the frozen food.	
Always leave some space between the food and to the back panel.	The air can circulate and the humidity will remain constant. The appliance needs to cool less frequently and therefore consumes less power.
Pack food airtight.	
Do not cover or block the ventilation openings.	The appliance consumes less power if the warm air can escape.
Vacuum the ventilation openings once a year or as frequently as needed.	

## Before using for the first time

1. Remove information material, adhesive tape and protective foil.
2. Remove the power cord from inside the appliance.
3. Clean the appliance.  
→ "Cleaning" on page 28
4. Install the equipment.  
→ "Equipment" on page 16

## Water connection

### CAUTION

- Never bend, crush, modify or cut water hoses.
- Never pull on the water hose on the rear panel of the appliance.
- To avoid damaging the appliance and to ensure proper functioning, it should only be connected to a drinking water line.
- To avoid water damage, a shut-off valve must be installed.

### Notes

- Installation and connection of the appliance must be carried out by a qualified technician.
- The shut-off valve must also be freely accessible following installation of the appliance.
- Observe the local regulations for water connection.

### The water quality of the water connection is tested:

- Rinse the water line leading to the appliance thoroughly until there are no more sediments or turbidity in the water.
- If the water line leading to the appliance still contains sediments or turbidity, install an external water filter system.

### Water pressure of drinking water line

### CAUTION

To avoid damage to the appliance, a pressure relief valve must be installed between the drinking water connection and the hose set if the water pressure exceeds the maximum value.

**Note:** If the water pressure is too low, this will impair functioning of the appliance.

- Water pressure min.: 0.2 MPa (2 bar / 29 psi)
- Water pressure max.: 0.8 MPa (8 bar / 116 psi)

## Electrical connection

### CAUTION

Do not connect the appliance to electronic energy saver plugs.

**Note:** You can connect the appliance to mains-controlled and sine-controlled inverters.

Mains-controlled inverters are used for photovoltaic systems which are connected directly to the national grid. Sine-controlled inverters must be used for isolated applications. Isolated applications, e.g. on ships or in mountain lodges, are not directly connected to the national grid.

1. Insert the power cord plug in the rear of the appliance.
2. Check that the power outlet has been installed according to the regulations and complies with the requirements.

### Requirements for power outlets

Power outlet with  
grounding conductor: 110 V ... 127 V / 60 Hz  
Circuit breaker: min. 15 A ... 20 A

### Maximum load

Appliance: 5.5 A

3. Connect the appliance to an outlet near the appliance.  
The outlet must also be freely accessible following installation of the appliance.

### WARNING

RISK OF ELECTRIC SHOCK!

Never use multiple outlets, extension cords or adapters.  
The appliance must be grounded correctly.  
Never cut through or remove the power cord's third conductor (grounding conductor).

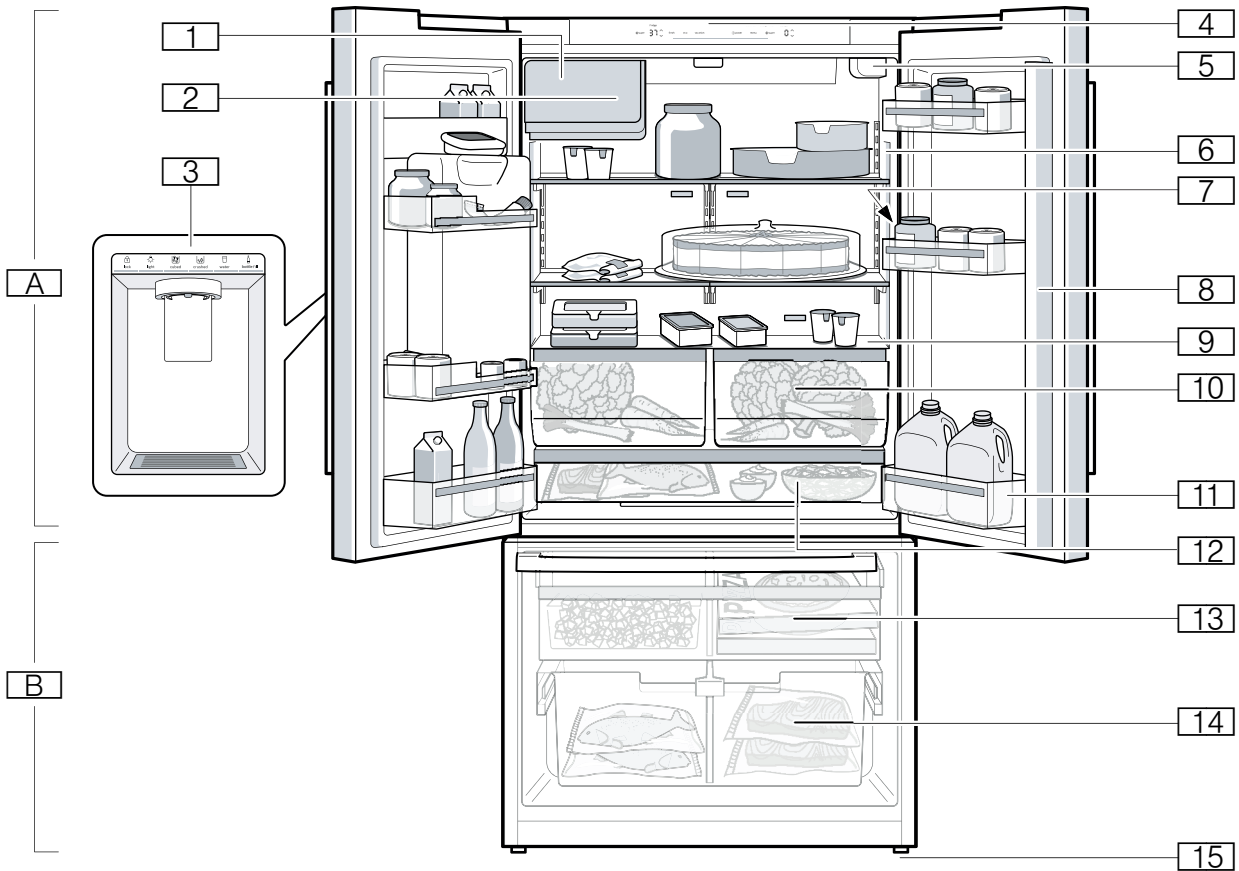
### WARNING

RISK OF ELECTRIC SHOCK!

If the power cord is too short, never use multiple outlets or extension cords. Instead, please contact customer service.

# Getting to know your appliance

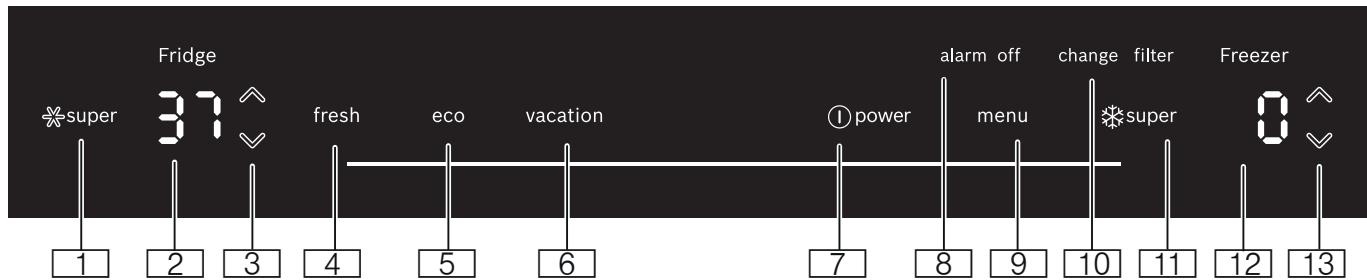
## Appliance



**A** Refrigerator compartment  
**B** Freezer compartment

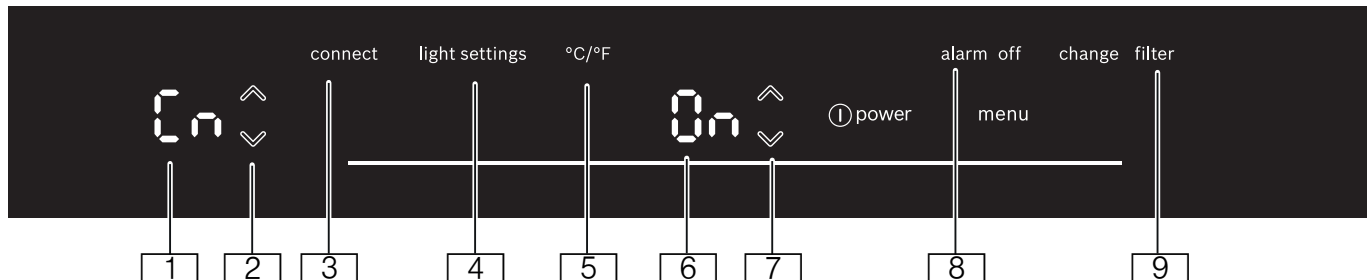
- 1** Ice maker
- 2** Ice cube bin
- 3** Dispenser
- 4** Operating controls
- 5** Water filter
- 6** Interior light
- 7** Rating plate
- 8** Door pillar with condensation protection
- 9** Partition with humidity controller
- 10** Vegetable bin
- 11** Storage compartment for large bottles
- 12** Cold storage bin
- 13** Frozen food bin (top)
- 14** Frozen food bin (large)
- 15** Height-adjustable feet

## Operating controls



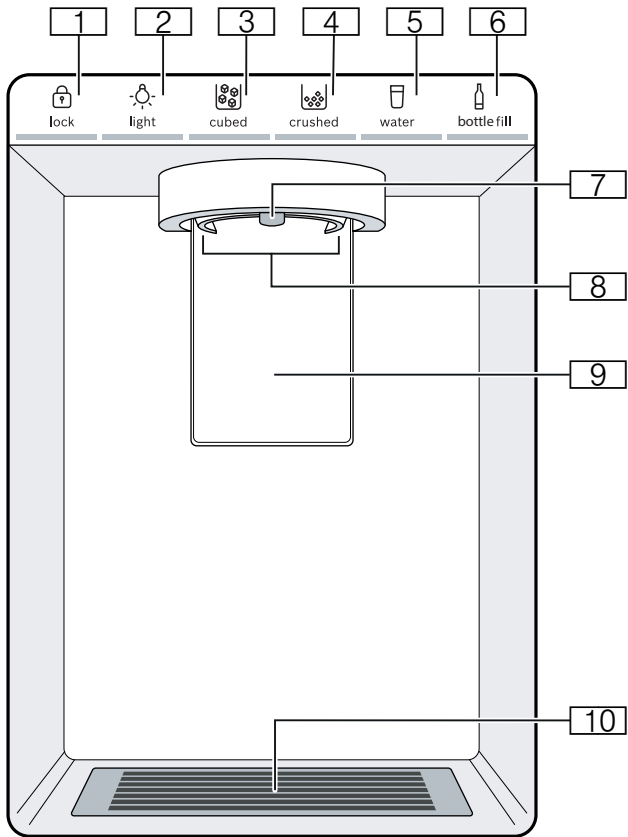
- |   |  |
|---|--|
| <p>1 Refrigerator compartment <b>* super</b> button<br/>Switches super cooling on or off.</p> <p>2 Refrigerator compartment temperature display<br/>Indicates the set temperature in °C/°F.</p> <p>3 Refrigerator compartment <math>\wedge/\vee</math> button<br/>Sets the temperature of the refrigerator compartment.</p> <p>4 <b>fresh</b> button<br/>Switches freshness mode on or off.</p> <p>5 <b>eco</b> button<br/>Switches energy-saving mode on or off.</p> <p>6 <b>vacation</b> button<br/>Switches vacation mode on or off.</p> | <p>7 <math>\textcircled{1}</math> <b>power</b> button<br/>Switches the appliance on or off.</p> <p>8 <b>alarm off</b> button<br/>Switches off the alarm.</p> <p>9 <b>menu</b> button<br/>Opens the menu.</p> <p>10 <b>change filter</b> button<br/>Switches the change filter alarm off.</p> <p>11 Freezer compartment <b>* super</b> button<br/>Switches super freezing on or off.</p> <p>12 Freezer compartment temperature display<br/>Indicates the set temperature in °C/°F.</p> <p>13 Freezer compartment <math>\wedge/\vee</math> button<br/>Sets the temperature of the freezer compartment.</p> |
|---|--|

## Controls submenu



- |   |   |
|---|---|
| <p>1 Submenu display<br/>Displays the selected submenu.</p> <p>2 <math>\wedge/\vee</math> submenu button<br/>Used to navigate through the submenu.</p> <p>3 <b>connect</b> button<br/>Opens the Home Connect menu.</p> <p>4 <b>light settings</b> button<br/>Opens the lighting menu.</p> <p>5 <b>°C/°F</b> button<br/>Opens the temperature unit menu.</p> <p>6 Settings display<br/>Displays the settings of the submenu.</p> | <p>7 <math>\wedge/\vee</math> Settings button<br/>Changes the settings of the submenu.</p> <p>8 <b>alarm off</b> button<br/>Opens the alarm menu.</p> <p>9 <b>change filter</b> button<br/>Opens the filter menu.</p> |
|---|---|

## Ice and water dispenser



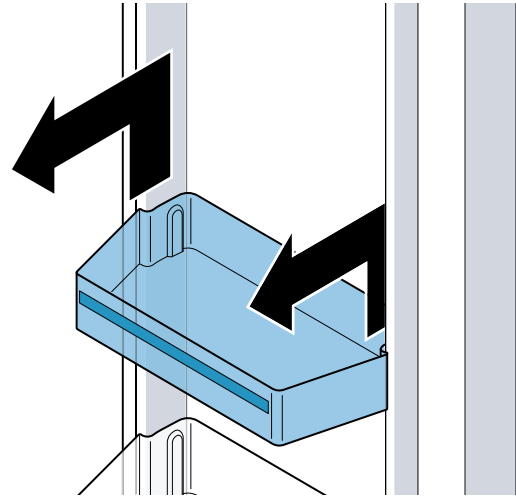
- 1 **lock** button  
Locks or unlocks the ice and water dispenser.
- 2 **light** button  
Switches the continuous light of the ice and water dispenser on or off.
- 3 **cubed** button  
Sets dispensing to ice cubes.
- 4 **crushed** button  
Sets dispensing to crushed ice.
- 5 **water** button  
Sets dispensing to water.
- 6 **bottle fill** button  
Sets dispensing to a specific amount of water.
- 7 Water dispenser outlet
- 8 Ice dispenser opening
- 9 Dispenser lever
- 10 Drip tray

## Equipment

### Storage compartment

You can remove the storage compartment:

- Lift up the storage compartment and remove.



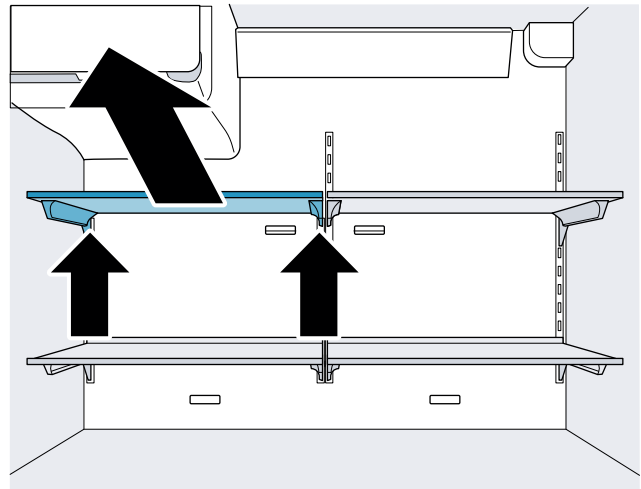
### Shelf

You can remove and adjust the shelf:

- Lift shelf and remove.

### Notes

- Do not cover the ventilation openings.
- Insert shelf carefully to avoid scratching the appliance.
- Ensure that the hooks are fully inserted and the shelf is horizontal.





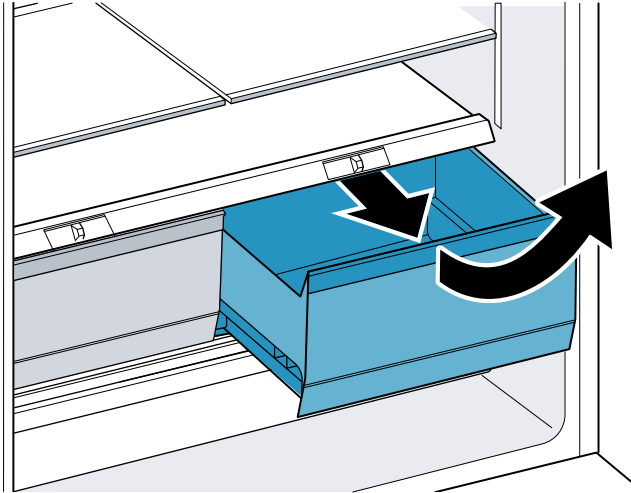
### Vegetable bin

You can remove the bin:

- Pull out the bin all the way, lift at the front and remove.

You can insert the bin:

- Pull out the telescopic rails all the way.
- Place the bin on the telescopic rails and push into the appliance until it engages.



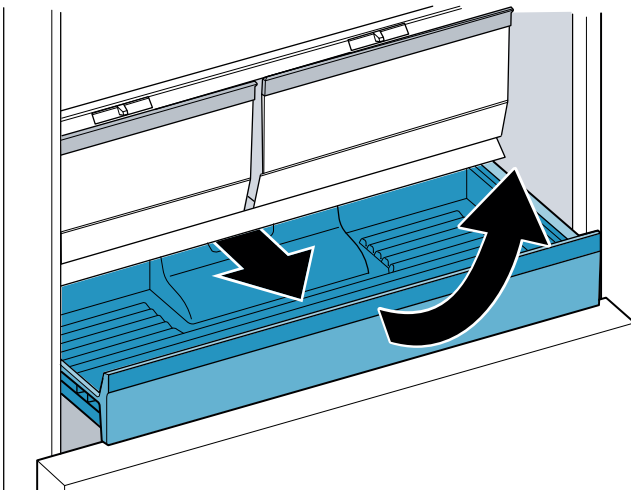
### Cold storage bin

You can remove the bin:

- Pull out the bin all the way, lift at the front and remove.

You can insert the bin:

- Pull out the telescopic rails all the way.
- Place the bin on the telescopic rails and push into the appliance until it engages.



### Frozen food bin (top)

#### ⚠ CAUTION

DAMAGE TO EQUIPMENT

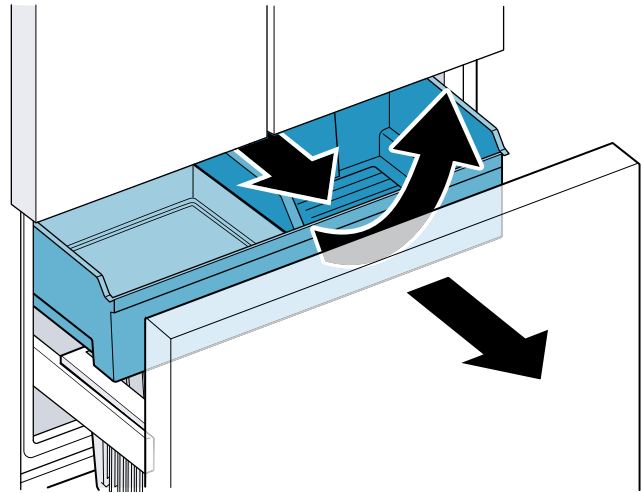
Never remove the partition wall from the bin.

You can remove the bin:

- Pull out the bin all the way, lift at the front and remove.

You can insert the bin:

- Pull out the telescopic rails all the way.
- Place the bin on the telescopic rails and push into the appliance until it engages.



### Frozen food bin (large)

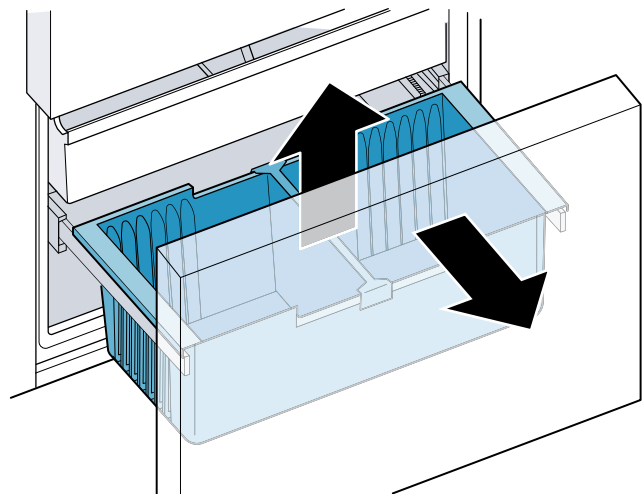
#### ⚠ CAUTION

DAMAGE TO EQUIPMENT

Never remove the partition wall from the bin.

You can take out the frozen food bin (large):

1. Pull the freezer compartment drawer all the way out and remove the frozen food bin (top).
2. Lift the frozen food bin (large) and remove it.



## Ice maker

### **⚠ WARNING**

RISK OF INJURY!

Never reach under or into the ice maker.

### Notes

- Ice cube production will start as soon as freezer and refrigerator compartments reach the set temperatures.
- As soon as the appliance reaches the set temperature, the first batch of ice cubes will be ready in approximately 4 hours.
- Once ready, the ice cubes are automatically discharged into the ice cube bin.
- Ice cube production stops automatically when the ice cube bin is full.
- For hygiene reasons, discard the ice cubes produced within the first 24 hours.

## Ice cube bin

### **⚠ WARNING**

RISK OF INJURY!

Never reach into the dispenser opening of the ice cube bin.

### **⚠ WARNING**

RISK OF COLD BURNS!

Avoid prolonged contact between the skin and ice or metal surfaces in the ice cube bin.

### **⚠ CAUTION**

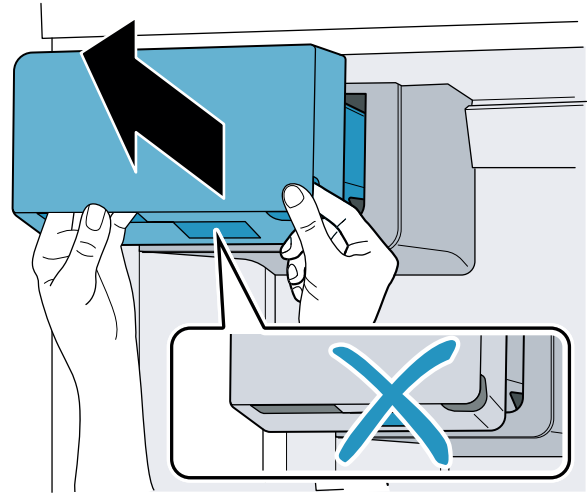
- **Damage to the appliance:** Never store bottles or food in the ice cube bin, even for short periods. This may block and damage the ice maker.
- **Damage to equipment:** Never clean the ice cube bin in the dishwasher.
- **When full, the ice cube bin is heavy:** Pull the ice cube bin out with both hands.

### Notes

- You can take large amounts of ice cubes directly out of the ice cube bin or store them in the frozen food bin (top).
- Never put ice cubes into the ice cube bin manually.
- Clean the ice cube bin with lukewarm water and wipe dry with a soft cloth so new ice cubes cannot stick to it.

You can remove the ice cube bin:

- Grasp the left and right-hand notch under the bin and pull forward to remove.

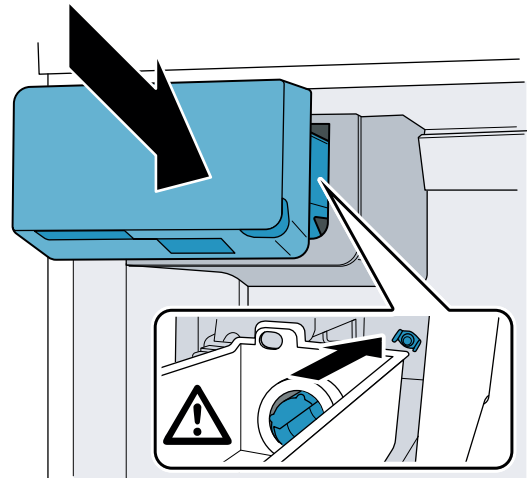


You can insert the ice cube bin:

- Position the bin in the opening and slide back until it engages.

### Notes

- If the bin jams during insertion, remove any excess ice from the opening.
- During insertion, the turning position of the screw conveyor on the bin and the opening must match up.
- If the bin cannot be inserted, rotate the screw conveyor on the bin and try again.



## Water filter

**Note:** After installing a new water filter, for hygiene reasons discard the ice cubes produced within the first 24 hours and dispense water for 5 minutes and discard.

The water filter supplied filters particles and the taste of chlorine out of the water, not bacteria or microbes:

Replace the water filter

- every 6 months
- as soon as the **change filter** button lights up
- if the water flow is visibly reduced

**Note:** A new water filter is available from our customer service, your dealer or on our website.

If you use an external water filtration system, you can also use the appliance without an internal water filter. To do this, replace the water filter with a bypass filter:

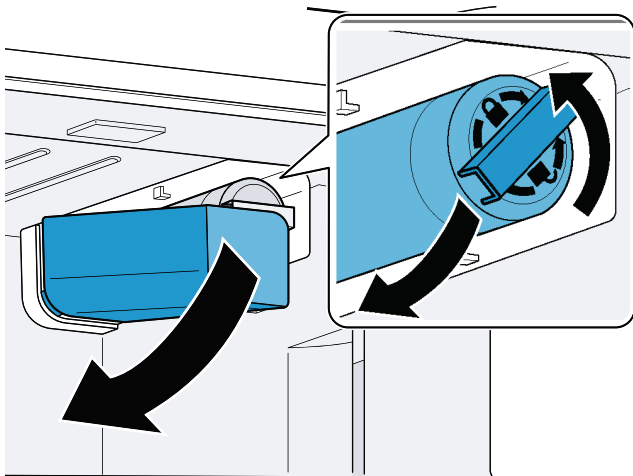
- The bypass filter removes coarse particles from the drinking water and can be cleaned as required.
- The bypass filter can remain in the appliance permanently and does not need to be changed.
- Switch off the change filter alarm as soon as the **change filter** button lights up.  
→ "Change filter alarm" on page 21

**Note:** A new bypass filter is available from our customer service or on our website.

### Change water filter or replace with bypass filter:


#### Notes

- When changing, some water will drip from the filter. Wipe drips up with a soft cloth.
  - You can dispose the used filter with your household garbage.
1. Reach into the lower recess of the filter cover, pull forwards slightly and move to the bottom left.
  2. Turn the filter 90° counterclockwise and remove.
  3. Insert the new filter in the filter opening to the stop and turn 90° clockwise as far as it will go.
  4. Move the filter cover up to the right again and slide back as far as it will go.



## Operating the appliance

### Switching the appliance on


1. Press  **power** button.  
The appliance begins to cool. The **alarm off** button will blink and a warning sound will beep if the temperature in the freezer compartment is still too warm.
2. Press **alarm off** button.  
The warning sound switches off.
3. Set the required temperature.  
→ "Setting the temperature" on page 20

### Operating tips

- When the appliance has been switched on, it may take several hours until the set temperatures have been reached. Do not put in any food until the selected temperature has been reached.
- The fully automatic NoFrost system ensures that the appliance remains frost-free. Defrosting is not required.
- The front sides of the housing are warmed to prevent condensation in the area of the door seal.


### Switching off and disconnecting the appliance

#### Switching off the appliance

- Press  **power** button.  
The appliance is no longer cooling.


#### Disconnecting the appliance

If you are not going to use the appliance for a long period:

1. Interrupt the water supply to the appliance.
2. Take all food out of the appliance.
3. Press  **power** button.  
The appliance is no longer cooling.
4. Pull out the power plug or switch off the circuit breaker.
5. Remove the water filter, empty the ice cube bin and clean the appliance.  
→ "Cleaning" on page 28
6. Leave the doors and drawers of the appliance open.

### Setting the temperature unit

You can choose between the units °C and °F:

1. Press **menu** button.
2. Press **°C/°F** button.
3. Press  Settings button until settings display shows **°C** or **°F**.
4. Press **menu** button.  
The setting is saved.

## Setting the temperature

### Recommended temperature

Refrigerator compartment: 37 °F (3 °C)  
Freezer compartment: 0 °F (-18 °C)

### Cooling compartment

- Keep pressing the  button until the display indicates the required temperature.

### Freezer compartment

- Keep pressing  button until the display indicates the required temperature.

## Super cooling

Super cooling cools the refrigerator compartment as cold as possible.


Switch on super cooling, e.g.:

- Before placing large quantities of food into the compartment
- For cooling drinks quickly

**Note:** When super cooling is switched on, increased operating noises may occur.

After approx. 6 hours, the appliance switches to normal operation.

Switching super cooling on/off:

- Press  **super** button.  
When super cooling is switched on, the button is lit up.

## Super freezing

With super freezing, the freezer compartment cools down to the coldest temperature setting of the freezer compartment.


Switch on super freezing, e.g.:

- To quickly freeze food all the way to the center
- To increase ice cube production

**Note:** When super freezing is switched on, increased operating noise may occur.

After approx. 8 hours, the appliance automatically returns to normal operation.

Switching super freezing on/off:

- Press  **super** button.  
When super freezing is switched on, the button lights up.

## Energy saving mode

You can set the appliance to save energy with the energy-saving mode.

The appliance automatically sets the following temperatures:

- Refrigerator compartment: 43 °F (6 °C)
- Freezer compartment: 6 °F (-14 °C)

Switch energy-saving mode on or off:

- Press **eco** button.  
The temperatures are changed, and the display shows the new temperatures. When energy-saving mode is switched off, the last temperature set is displayed.

## Freshness mode

Food stays fresh for even longer with freshness mode.

The appliance automatically sets the following temperature:

- Refrigerator compartment: 36 °F (2 °C)

The temperature in the freezer compartment remains unchanged.

Switch freshness mode on or off:

- Press **fresh** button.  
The temperature is changed, and the display shows the new temperature. When freshness mode is switched off, the last temperature set is displayed.

## Vacation mode

If leaving the appliance for a long period, you can switch it to energy-saving vacation mode.

The appliance automatically sets the following temperature:

- Refrigerator compartment: 43 °F (6 °C)

The temperature in the freezer compartment remains unchanged.

Switch on vacation mode:

- Press **vacation** button.  
The temperature is changed and the display shows the new temperature.  
Empty the ice cube bin for hygiene reasons.

Switching off vacation mode:

- Press **vacation** button.  
The last temperature set is displayed.  
For hygiene reasons, dispense water for 5 minutes and discard.

## Sabbath mode

All non-essential functions are switched off so you can also use the appliance on the Sabbath.

The appliance switches off the following:

- Super cooling and super freezing
- Audible signals
- Interior light
- Messages on the control panel
- Water dispenser
- Ice maker

**Note:** Background illumination of display is reduced in Sabbath mode.

Switch on Sabbath mode:

- Press and hold **vacation** button for 10 seconds until an audible signal sounds.  
When Sabbath mode is switched on, the **alarm** display lights up.

Switching Sabbath mode off:

- Press and hold the **alarm** display for 5 seconds until an audible signal sounds.

**Note:** After approx. 72 hours, the appliance automatically returns to normal operation.

## Setting the light

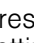
You can adjust the brightness levels of the interior lighting from **0** to **5**:

**Note:**

**0** = lighting off

**1** = minimum brightness

**5** = maximum brightness

1. Press **menu** button.
2. Press **light settings** button.  
The submenu display shows **ln**.
3. Press  Settings button repeatedly until the settings display shows the desired brightness level.
4. Press **menu** button.  
The setting is saved.

## Change filter alarm

When the change filter alarm switches on, the **change filter** button lights up. The alarm is designed to switch on every 6 months. It is recommended to change the water filter every 6 months.

**Note:** An increase in ice and water consumption will cause the change filter alarm to be switched on earlier.

Switching off the change filter alarm:

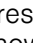
1. Change water filter or replace with bypass filter.  
→ "Water filter" on page 19
2. Press and hold **change filter** button for 3 seconds.  
The change filter alarm is switched off and the **change filter** button no longer lights up. The water filter timer is reset automatically.

If you replace the water filter before the change filter alarm lights up, reset the water filter timer manually:

**Note:**

**1** = water filter timer running

**0** = reset water filter timer

1. Press **menu** button.
2. Press **change filter** button.
3. Press  Settings button until settings display shows **0**.
4. Press **menu** button.  
The setting is saved.

## Switching the ice and water dispenser button lock (child lock) on or off

The button lock protects the ice and water dispenser from being operated unintentionally:

**Note:** When the button lock is switched on, no ice or water can be dispensed. The ice maker continues to produce ice cubes.

- Press and hold **lock** button until all light bars light up.  
The button lock is switched on and the light bar of the **lock** button lights up. When the button lock is switched off, the light bar of the last button used lights up.

## Light of ice and water dispenser

**Note:** If no ice or water is dispensed for a long period, the ice and water dispenser light will turn off.

You can switch the light of the ice and water dispenser permanently on or off:

- Press **light** button.  
The ice and water dispenser light is switched on permanently, and the light bar of the **light** button lights up.

## Setting the bottle fill water amount

You can adjust the factory-set water bottle filling amount:

**Note:** The maximum fill time is 60 seconds. The light bars flash during the operation.

1. Press **bottle fill** button.
2. Place a pitcher or bottle under the water dispenser opening.
3. Simultaneously press and hold **bottle fill** and **crushed** buttons until the required water amount has been dispensed.

The new water amount is now preset to memory. Every time you press the **bottle fill** button, that water amount will be dispensed.

## Switching the ice and water dispenser and ice maker on or off

If you are not going to use the ice and water dispenser and the ice maker for a long period:

- Press and hold **lock** and **light** buttons until all light bars light up.

The ice and water dispenser and the ice maker are switched off. When switched on, the light bar of the last button used lights up.

---

## Alarm

### Door alarm

If the appliance door is left open for a while, a warning sound is switched on and the **alarm off** button flashes.


Switching off door alarm:

- Close the door or press the **alarm off** button. The warning sound is switched off and the **alarm off** button no longer flashes.

You can switch the door alarm warning sound on or off:

**Note:** **On** = switch on door alarm warning sound

**OF** = switch off door alarm warning sound

1. Press **menu** button.
2. Press **alarm off** button.
3. Press  Settings button until settings display shows **On** or **OF**.
4. Press **menu** button. The setting is saved.

### Temperature alarm

If the freezer compartment becomes too warm, the warning sound switches on and the **alarm off** button flashes.

---

#### CAUTION

DURING THE THAWING PROCESS, BACTERIA MAY DEVELOP AND SPOIL THE FROZEN ITEMS

Do not refreeze partly or completely thawed food.

Refreeze food only after cooking. The frozen items should no longer be stored for the maximum storage period.

---

**Note:** The temperature alarm can be set off without risk to the frozen food in the following situations:

- The appliance is switching on.
- If the freezer compartment door has been open too long.
- Large quantities of fresh food are being placed inside.

Switching off the temperature alarm:

1. Check that the cause of the temperature alarm has been eliminated.
2. Press the **alarm off** button. The warning sound will be switched off and the freezer compartment temperature display will briefly indicate the warmest temperature reached in the freezer compartment. Then the display indicates the set temperature again. The warmest temperature will be measured again and saved.

**Note:** The **alarm off** button remains lighted until the set temperature has been reached again.

## Home Connect

This appliance is Wi-Fi-capable and can be controlled remotely using a mobile device.

**Note:** Wi-Fi is a registered trade mark of the Wi-Fi Alliance.

The appliance functions without a network connection and can still be operated manually via the controls:

- The appliance is not connected to a home network.
- The availability of the Home Connect function depends on the availability of Home Connect services in your country. Home Connect services are not available in every country. You can find more information on [www.home-connect.com](http://www.home-connect.com).

**Note:** Please observe the safety information in this instruction manual. Ensure that this is also observed if you operate the appliance via the Home Connect app and are not at home when doing so.

→ "Important safety instructions" on page 3

Follow the instructions in the Home Connect app as well.

### Setting up Home Connect

#### Notes

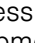
- Take note of the Home Connect supplementary sheet, which is available for download at <http://www.bosch-home.com> together with the instructions. To do so, enter the E-number of your appliance in the search field.
- After switching on the appliance, wait at least two minutes until the internal device initialization process has been completed. Only then start setting up Home Connect.
- To be able to make settings with Home Connect, you need to install the Home Connect app on your end device.  
To do this, please take note of the documentation that has also been supplied from Home Connect.

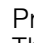
Follow the steps specified by the app to make the settings.

- If the device is not operated for a prolonged period, the Home Connect menu will close automatically. You can find information on how to open the Home Connect menu at the start of the appropriate chapter.

#### Automatic connection with the WLAN home network (Wi-Fi)

If a router with WPS function is available, the refrigerator can be automatically connected to the home network.

1. Press **menu** button.  
The **connect** button lights up. The submenu display shows **Cn**.
2. Press  submenu button repeatedly until submenu display shows **AC** and the settings display **OF**.

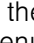
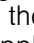
3. Press  Settings button.  
The appliance is ready for automatic connection. The settings display shows an animation for 2 minutes.  
The appliance is ready for automatic connection for as long as the animation is displayed.
4. Within those 2 minutes, activate the WPS function on the home network router (e.g. using WPS button, note the information in the router documentation).  
If the connection is successful, **On** flashes in the settings display.  
The refrigerator is ready to connect with the app.

**Note:** If the settings display shows **OF**, it was not possible to establish a connection.

1. Check whether the refrigerator is located within the range of the WLAN home network (Wi-Fi).
2. Repeat the process or establish the connection manually.

#### Manual connection with the WLAN home network (Wi-Fi)


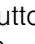
If the available router does not have a WPS function, or if this is unknown, you can connect the refrigerator to the WLAN home network (Wi-Fi) manually.

1. Press the **menu** button.  
The **connect** button lights up. The submenu display shows **Cn**.
2. Press the  submenu button repeatedly until submenu display shows **SA** and the settings display **OF**.
3. Press the  Settings button.  
The appliance is ready for manual connection. The settings display shows an animation.  
The appliance is ready for manual connection for as long as the animation is displayed.
4. The refrigerator has now set up its own WLAN home network (Wi-Fi) with the network name HomeConnect.  
You can now access this network with your mobile device.
5. Follow the instructions in the app until the process is complete.
  - If the connection is successful, **On** flashes in the settings display.  
The device connects automatically to the app.
  - If the settings display shows **OF**, it was not possible to establish a connection.  
Check whether the refrigerator is located within the range of the WLAN home network (Wi-Fi).  
Repeat the process.

## Connecting the refrigerator to the Home Connect app

The appliance automatically connects to the app with set-up for the first time after a connection to the WLAN home network has been established (Wi-Fi).

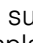
If the appliance does not automatically connect to the app, connect the appliance manually:

1. Press the **menu** button.  
The **connect** button lights up. The submenu display shows **Cn**.
2. Press the  submenu button repeatedly until the submenu display shows **PA** and the settings display **OF**.
3. Press  Settings button to connect the appliance to the app.  
The settings display shows an animation. As soon as the refrigerator and the app are connected, the settings display shows **On**.
4. Open the app and wait until the refrigerator is displayed.  
Press **Add** to confirm the connection between the app and the refrigerator.  
If the refrigerator is not automatically displayed, click on **Add appliance** in the app and follow the instructions. As soon as your refrigerator is displayed, add it with **+**.
5. Follow the instructions in the app until the process is complete.  
The submenu display shows **PA** and the settings display **On**.  
The refrigerator has been connected to the app. If the connection fails, check whether the mobile device is connected to the WLAN home network (Wi-Fi).  
Then try to establish the connection again.  
If the settings display shows **Er**, reset the Home Connect settings.

**Note:** On resetting, all Home Connect settings are reset.

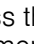

## Verifying signal strength

You should verify the signal strength if no connection can be established.

1. Press the **menu** button.  
The **connect** button lights up. The submenu display shows **Cn**.
2. Press the  submenu button repeatedly until the submenu display shows **SI**. The settings display shows a value between 0 (no reception) and 3 (full reception).  
The signal strength should be at least 2. If the signal strength is too weak, the connection may be interrupted.
  - Place the router and refrigerator closer together.
  - Check that screening walls do not interfere with the connection.
  - Alternatively, install a repeater to make the signal stronger.

## Reset Home Connect settings

If there is a problem when trying to establish a connection, or if you would like to register the appliance on a different WLAN home network (Wi-Fi), the Home Connect settings can be reset:

1. Press the **menu** button.  
The **connect** button lights up. The submenu display shows **Cn**.
2. Press the  submenu button repeatedly until submenu display shows **rE** and the settings display **OF**.
3. Press  Settings button.  
The settings display shows an animation for 15 seconds.  
The display then shows **OF** settings.  
The Home Connect settings have been reset.

## Installing updates for the Home Connect software

The refrigerator checks at regular intervals whether updates are available for the Home Connect software.

If an update is available, the submenu display shows **UP**:

- Confirm update in Home Connect app.  
Do not switch the refrigerator off during updates. The settings display shows an animation. The update is being installed.

**Note:** All buttons are locked during installation.

- If installation has been completed successfully, the settings display shows **On**.
- If installation has not been completed successfully, the settings display shows **Er**. Start the update again at a later time. If installation could not be completed even after multiple attempts, notify customer service.

Press any button to reset the display to the set temperature.



## Information on data protection

The first time your Home Connect appliance is registered on a WLAN home network connected to the Internet (Wi-Fi), your appliance will transmit the following types of data to the Home Connect server (initial registration):

- Unique appliance identification (consisting of appliance codes as well as the MAC address of the installed Wi-Fi communication module).
- Security certificate of the Wi-Fi communication module (to ensure a secure data connection).
- The current software and hardware version of your domestic appliance.
- Status of any previous resetting to factory settings.

This initial registration prepares the Home Connect functions for use and is only required when you want to use these Home Connect functions for the first time.

**Note:** Please note that the Home Connect functions can be utilized only in conjunction with the Home Connect app. Information on data protection can be called up in the Home Connect app.

## Remote Diagnostics

Customer service can use Remote Diagnostics to access your appliance if you contact them, have your appliance connected to the Home Connect server, and if Remote Diagnostics is available in the country in which you are using the appliance.

**Note:** For further information and details about the availability of Remote Diagnostics in your country, please visit the service/support section of your local website: [www.home-connect.com](http://www.home-connect.com)

## Refrigerator compartment

The refrigerator compartment is suitable for storing meat, sausages, fish, dairy products, eggs, ready meals and pastries.

The temperature can be set from 33° F (1° C) to 43° F (6° C).

The refrigerator compartment can also be used to store highly perishable groceries in the short to medium term. A temperature of +39°F (+4°C) or lower ensures optimum freshness and hygiene of the stored groceries.

## Vegetable bin

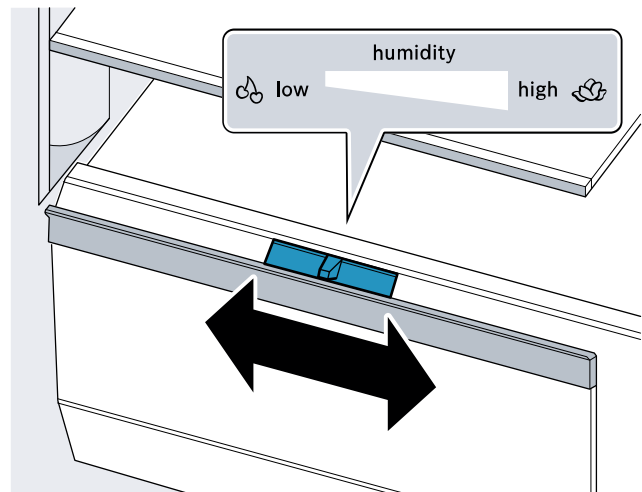
The vegetable bin is the optimum storage location for fresh fruit and vegetables. You can adjust the humidity in the vegetable bin via the division plate's humidity controller and a special seal.

The humidity in the vegetable bin can be set according to the type and quantity of products to be stored:

- Mainly fruit as well as for a large load – set lower air humidity
- Mainly vegetables as well as for a mixed or small load – set higher air humidity

### Notes

- Fruit sensitive to cold (e.g. pineapple, banana, papaya and citrus fruit) and vegetables sensitive to cold (e.g. eggplant, cucumbers, zucchini, peppers, tomatoes and potatoes) should be stored outside of the appliance at temperatures of approx. +46°F ... +54°F (+8°C ... +12°C) for optimum preservation of quality and aroma.
- Condensation may form in the vegetable bin depending on the type and quantity of products stored. Remove condensation with a dry cloth and adjust air humidity in the vegetable bin with the humidity controller.



## Cold storage bin

The temperatures in the cold storage bin are lower than in the refrigerator compartment. Temperatures below +32 °F (0 °C) may occur.

Ideal for storing fish, meat and sausage. Not suitable for salads, vegetables and groceries sensitive to cold.

### Note when storing food

- Store fresh undamaged food.  
The quality and freshness will then be retained for longer.
- In the case of convenience products and bottled goods, do not exceed the minimum sell-by date or use-by date specified by the manufacturer.
- To retain aroma, color and freshness, pack or cover food well before placing it into the appliance.  
This will prevent flavors being transferred between foods and the plastic parts from becoming discolored.
- Leave warm food and drinks to cool down before placing them into the refrigerator compartment.

## Freezer compartment

The freezer compartment is suitable for:

- storing frozen food
- making ice cubes
- freezing food

The temperature can be set from 6 °F (-14 °C) to -7 °F (-22 °C).

The freezer compartment can be used to store perishable foods long-term almost without any noticeable reduction in quality, as the low temperatures considerably slow down or stop deterioration. Appearance, flavor and all valuable ingredients are largely retained.

The time between putting fresh food in the freezer compartment and it freezing solid depends on the following factors:

- temperature set
- type of food
- amount of food in the freezer compartment
- quantity and type of storage

## Ice and water dispenser

You can use the ice and water dispenser to dispense:

- cooled water
- crushed ice
- ice cubes

To obtain maximal ice production (up to 12 lb (5.4 kg) in a 24 hour period):

- The appliance must be installed according to the installation instructions.
- The freezer compartment must be set to the coldest temperature.
- The ice cube bin must be emptied every 3 hours.

Results may vary depending on operating conditions such as:

- door openings
- food load
- ambient temperature and ambient humidity
- water pressure and water filter condition

### Before using the appliance for the first time

#### CAUTION

To avoid water damage to the floor or to the appliance, never dispense water without a glass underneath.

**Note:** The ice and water dispenser only works if the appliance is connected to a drinking water line and a filter is installed.

- Once the appliance has been connected or a new water filter has been installed, there will be air in the water circuit. Keep dispensing water until it contains no more bubbles. Wipe splashes away with a soft cloth.
- For hygiene reasons, dispense water for 5 minutes and discard, and discard the ice cubes produced during the first 24 hours.

### Observing drinking water quality

All materials used in the ice and water dispenser are odorless and tasteless.

If the water has an aftertaste, this may be due to the following causes:

- Mineral content and chlorine content of the drinking water
- Material of the water line leading to the appliance
- Freshness of the drinking water

**Note:** If you dispense water again after a long period, it may taste stale. Allow water to dispense for at least 5 minutes and discard.

You will obtain optimum water quality if you dispense some water regularly.

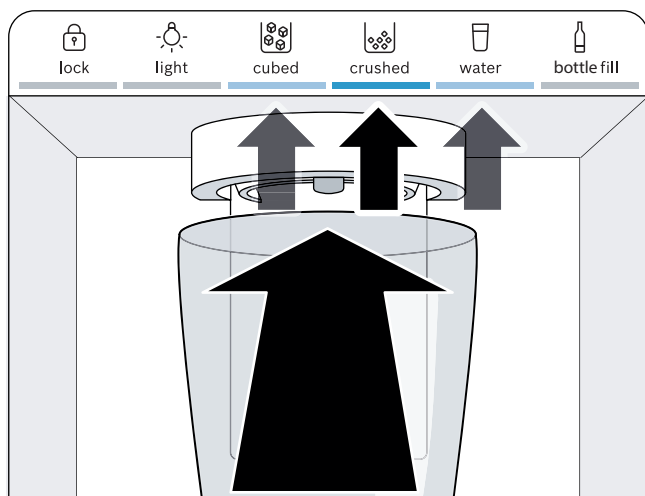
## Operation of the ice and water dispenser

- When the appliance door is open, the ice and water dispenser stops, and the button lock is switched on.
- To prevent water damage, the ice and water dispenser stops automatically after a period of continuous dispensing. Wait a few seconds before dispensing ice or water again.
- The ice and water dispenser stops automatically after several consecutive dispensing operations. Wait a few minutes before dispensing ice or water again.
- To prevent ice from falling on the floor, hold the glass directly under the ice dispenser opening when dispensing crushed ice.
- When you switch from the **crushed** button to the **cubed** button, a little crushed ice may be dispensed.
- The dispensed water is cooled to a palatable temperature. To obtain a colder drinking temperature, put additional ice cubes in the glass.
- The water may become warmer when dispensing large amounts of water.
- If ice cubes taste stale, discard the remainder and the cubes produced over the next 24 hours. If ice cubes still taste stale, change the water filter.
- Regularly check the drip tray and clean as necessary.  
→ "Cleaning" on page 28

## Dispensing ice or water

**Note:** Always hold the glass directly under the dispenser opening.

1. Press **cubed** button, **crushed** button or **water** button.
2. Keep pressing a glass against the dispenser lever until the glass contains the required amount of ice or water.



## Bottle fill option

You can dispense a specific water amount with the bottle fill option:

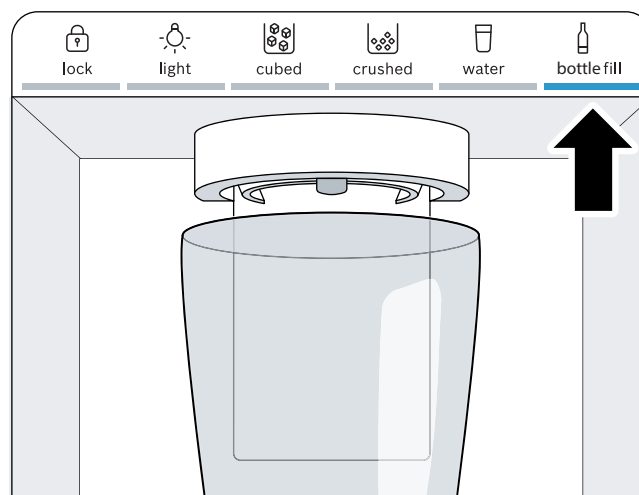
**Note:** The factory-set amount of water is approx. 17 fl oz (0.5 l).

→ "Setting the bottle fill water amount" on page 22

1. Press **bottle fill** button.
2. Place a pitcher or bottle under the water dispenser opening.
3. Press **bottle fill** button.  
The bottle filling is dispensed.

### Notes

- To interrupt dispensing, press any button of the ice and water dispenser.
- To dispense the bottle filling again, press **bottle fill** button.
- If no bottle filling is dispensed for a long period, dispensing switches to the **water** button.



## Defrosting

The fully automatic NoFrost system ensures that the appliance remains frost-free. Defrosting is not required.

## Cleaning

### CAUTION

AVOID DAMAGING THE APPLIANCE AND THE EQUIPMENT.

- Do not use abrasive, chloride-based or acidic cleaning agents or solvents.
- Do not use scouring or abrasive sponges. The metallic surfaces may corrode.
- Never clean the shelves or bins in the dishwasher. The parts may become deformed.


### CAUTION

AVOID DAMAGE TO APPLIANCE.

- Do not use stainless steel cleaner on the exterior.
- Test all cleaning agents or solvents on a small area before using them on the entire appliance.

## Cleaning the appliance interior

Proceed as follows:

1. Press  **power** button.
2. Pull out the power plug or switch off the circuit breaker.
3. Take out food and store in a cool location. Place ice pack (if available) on the food.
4. Clean the appliance with a soft cloth, lukewarm water and a little pH-neutral liquid detergent.

### CAUTION

The rinsing water must not run into the lights.

5. Wipe door seal with clean water and dry thoroughly with a cloth.
6. Switch appliance back on and load the food.

## Cleaning the equipment

To clean, take the removable parts out of the appliance.

→ "Equipment" on page 16

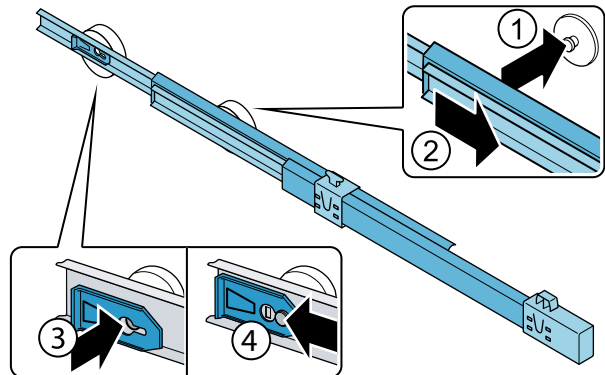
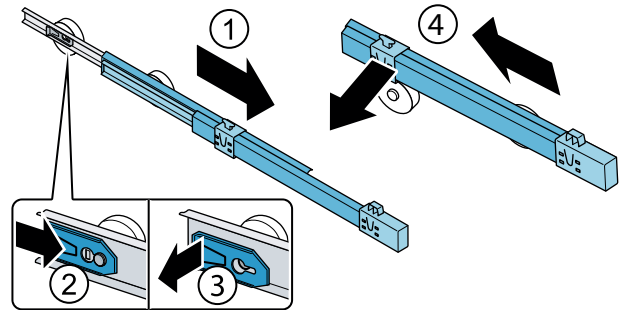
## Telescopic rails

### Removing telescopic rails

1. Pull out telescopic rail.
2. Push lock in the direction of the arrow.
3. Detach telescopic rail from the rear pin.
4. Push telescopic rail together, push backwards above the rear pin, and disengage.

### Installing telescopic rails

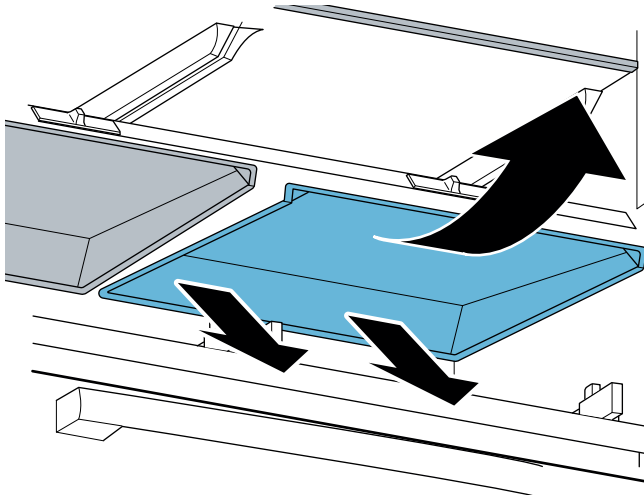
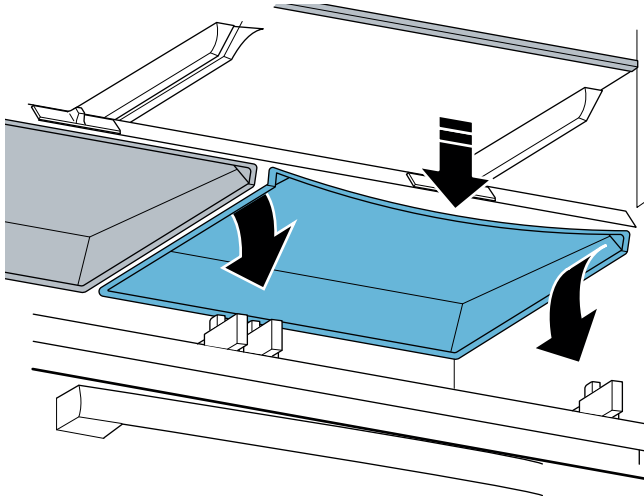
1. Place the extended telescopic rail on the front pin.
2. Pull the telescopic rail forwards slightly until it engages.
3. Insert telescopic rail on the rear pin.
4. Push lock backwards.



## Vegetable bin cover

### Remove the cover:

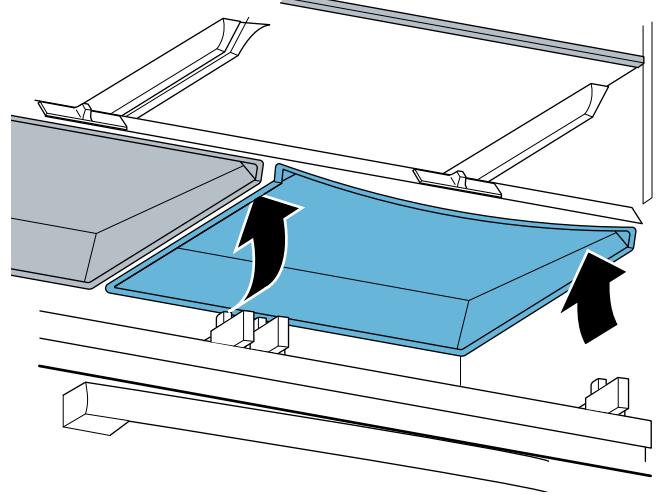
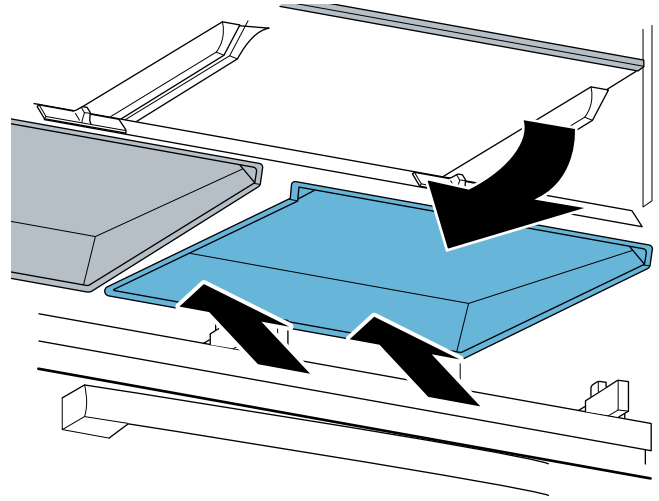
1. Take out the vegetable bin.
2. Bend down the cover slightly in the middle and detach at the front on one side.
3. Detach the cover at the front on the other side.
4. Detach the cover at the back and take out.



### Installing the cover:

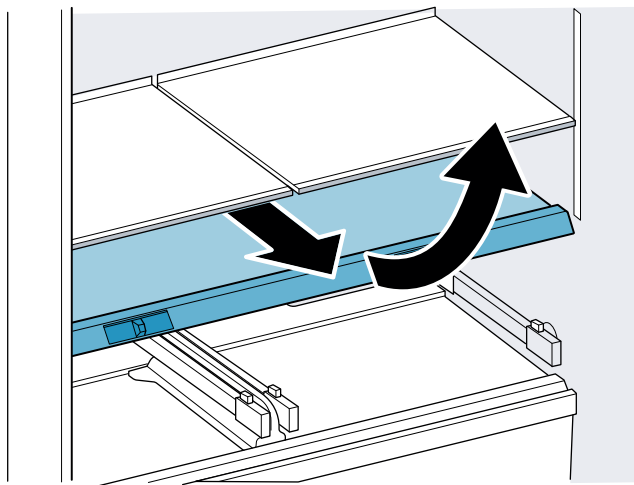
1. Attach the cover at the back.
2. Attach the cover at the front on one side.
3. Bend down the cover slightly in the middle and attach at the front on the other side.

**Note:** If the cover remains bent, move the humidity controller to allow the cover to engage.



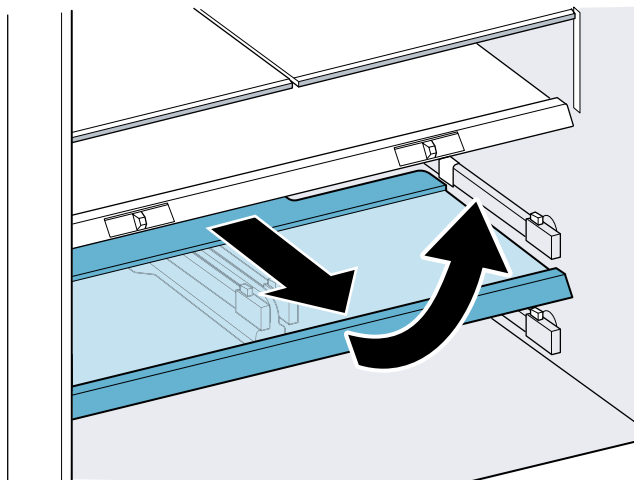
### Shelf above the vegetable bin

1. Pull out the vegetable bin all the way.
2. Lift the shelf at the front and take out.



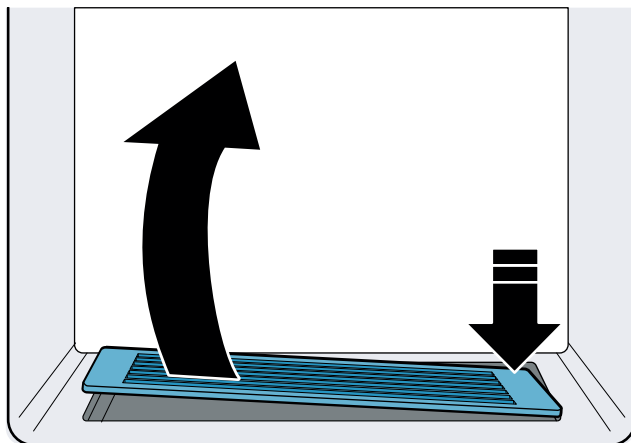
### Shelf above the cold storage bin

1. Pull the cold storage bin all the way out.
2. Lift the shelf at the front and take out.



### Drip tray

1. Press down and remove drip grate in top right corner.
2. Wipe drips away with a soft cloth and clean the drip tray with lukewarm water.
3. Re-insert drip grate.



## Odors

If you notice any unpleasant odors:

1. Switch off the appliance with the Ⓜ power button.
2. Take all food out of the appliance and look for spoiled food or any spillage.
3. Clean the inside. → "Cleaning" on page 28
4. Seal strong-smelling food.
5. Switch the appliance on again.
6. Arrange food in the appliance.
7. After 24 hours, check whether odors are building up again.

## Lighting

Your appliance features a maintenance-free LED light.

Only customer service or authorized technicians may repair the light.

## Noises

### Normal noises

**Droning:** A motor is running, e.g. refrigerating unit, fan, water valve is activated.

**Bubbling, buzzing or gurgling:** Refrigerant is flowing through the tubes.

**Clicking:** Motor, switch, solenoid valves or water valve are switching on or off.

**Cracking:** Automatic defrosting is running.

**Clattering sound:** Ice cubes from the ice maker are falling into the ice cube bin.

### Preventing noises

**Appliance is not level:** Align appliance.  
→ *"Aligning the appliance" on page 7*

**The appliance is not "free-standing":** Make sure the appliance is not touching other surfaces and the minimum clearances are observed.  
→ *"Minimum clearances" on page 6*

**Bins, shelves or storage compartments wobble or stick:** Check the removable equipment and re-insert if required.

**Bottles or containers are touching each other:** Move bottles or containers away from each other.

## Troubleshooting – what to do?

Before you call customer service, use this table to check whether you can troubleshoot your appliance.

### Appliance

Appliance overcooling or food too cold.	
Temperature has been set too low.	Adjust setpoint to a higher temperature.
Appliance not cooling or food too warm.	
Door(s) or drawer not closing properly.	Check if the appliance is leveled → <i>"Aligning the appliance" on page 7</i> Check if there is no food or equipment obstructing the door. Check the door seals are free from damage.
Temperature has been set too high.	Adjust the setpoint to a lower temperature.
Air vent(s) are blocked.	Remove any food blocking the air vent(s).
Door(s) or drawer opened frequently or for an extended period of time.	Wait at least 2 hours for the temperature in the appliance to cool down.
Appliance is in Eco Mode or Vacation mode.	Check to ensure that the appliance is not in Eco or Vacation mode.
A large amount of fresh food has been loaded in the refrigerator.	Wait at least 2 hours for the temperature in the appliance to cool down.
Appliance is in Showroom mode.	If the appliance has the internal lights ON and the operating control display is also ON and showing no errors, the product might be in Showroom mode. Start the appliance self-test. → <i>"Appliance self-test" on page 34</i> Wait at least 2 hours for the temperature in the appliance to cool down. If appliance still does not cool down. please contact customer service. → <i>"Customer service" on page 34</i>
Displays do not light up.	
The power plug has not been inserted properly.	Check that the power plug ends are fully inserted into the back of the appliance and into the wall power outlet.
The circuit breaker has tripped.	Check the circuit breaker box.
Power outage.	Check if power is available at the wall outlet.

Display indicates E....	
The electronics have detected an error.	Disconnect the appliance from power for 1 minute, either by removing the power cord from the wall outlet or by switching off the circuit breaker. After reconnecting the appliance, if error persists please contact customer service. → "Customer service" on page 34
The alarm off button flashes and a warning signal sounds.	
	Press <b>alarm off</b> button. Alarm is switched off.
Door(s) or drawer ajar.	Close door or drawer. Check if there is no food or equipment obstructing the door.
Temperature of compartments too warm	Blocked air vents located on the back wall of the refrigerator and freezer compartments. Remove any food blocking the air vents.
	If compartments have just been loaded with fresh food, then wait at least 2 hours for the temperature in the appliance to cool down.

## Dispenser

Ice and water dispenser not working.	
Ice and water dispenser is switched off.	Switch on the ice and water dispenser. → "Switching the ice and water dispenser and ice maker on or off" on page 22
Ice and water dispenser is locked.	Unlock the ice and water dispenser. → "Switching the ice and water dispenser button lock (child lock) on or off" on page 21
Door(s) or drawer ajar.	Close door or drawer. Check if there is no food or equipment obstructing the door.
Ice cubes may freeze together and block the dispenser or ice maker.	<ol style="list-style-type: none"> <li>1. Open the door. Check from inside whether ice cubes are blocking the ice chute.</li> <li>2. Carefully remove the ice cubes blocking the ice chute with a wooden spoon.</li> </ol>
Ice is being produced and dispensed but no water.	Make sure the water supply is turned on. Disconnect the appliance from power for 1 minute, either by removing the power cord from the wall outlet or by switching off the circuit breaker. After reconnecting the appliance, if error persists please contact customer service. → "Customer service" on page 34
No water supply.	Check water connection, make sure the water supply is turned on and contact a certified plumber if necessary.
Low water pressure.	Appliance needs to be connected in accordance with instructions. → "Water connection" on page 13 If a reverse osmosis water filtration system is connected to your refrigerator water supply, install a bypass filter. New bypass filter can be purchased from customer service and our website. → "Water filter" on page 19 The water filter is blocked or needs to be replaced.
Kink in water hose.	Turn off water supply, straighten out kink. Replace the water hose if necessary.



**Ice and water dispenser not working.**

Water is dripping from dispenser.	<p>Air may be trapped in the water system. To remove air, allow water to dispense for at least 5 minutes and discard. Repeat this step if you still experience water dripping.</p> <p>After dispensing, a few drops of water are normal. To minimize, slowly remove your glass from the dispenser.</p> <p>Residual ice in the dispenser chute is melting. Make sure the ice chute is free of ice shavings or pieces.</p>
Ice and water dispenser without power.	<p>Disconnect the appliance from power for 1 minute, either by removing the power cord from the wall outlet or by switching off the circuit breaker. After reconnecting the appliance, if error persists please contact customer service.</p> <p>→ "Customer service" on page 34</p>

**Ice cube production is low.**

Appliance just plugged in.	<p>It can take several hours for the first batch of ice.</p> <p>→ "Ice maker" on page 18</p>
Recently dispensed a large amount of ice cubes.	<p>It could take a few hours until ice cube bin is full again.</p>
Low water pressure.	<p>Appliance needs to be connected in accordance with instructions.</p> <p>→ "Water connection" on page 13</p>
Door(s) or drawer opened frequently or for an extended period of time.	<p>Wait at least 2 hours for the temperature in the appliance to cool down.</p>

**No ice production.**

Ice and water dispenser is switched off.	<p>Switch on the ice and water dispenser.</p> <p>→ "Switching the ice and water dispenser and ice maker on or off" on page 22</p>
Ice cube bin ajar.	<p>Check if the ice cube bin is properly installed.</p> <p>→ "Ice cube bin" on page 18</p>
No water supply	<p>Check water connection, make sure the water supply is turned on and contact a technician if necessary. Switch off the appliance and back on again. Check whether ice cubes are being produced after 2 hours.</p> <p>Disconnect the appliance from power for 1 minute, either by removing the power cord from the wall outlet or by switching off the circuit breaker. After reconnecting the appliance, if error persists please contact customer service.</p> <p>→ "Customer service" on page 34</p>

**Water is leaking out of the appliance.**

Supply line connection is not tight.	<p>Check if the connections are fastened firmly and the water hose is undamaged.</p> <p>Replace the water hose if necessary.</p>
Recently installed filter.	<p>When changing, some water will drip from the filter. Wipe drips dry with a soft cloth.</p> <p>→ "Water filter" on page 19</p>
Dispenser drip tray overflowing.	<p>Regularly check the drip tray for drips and clean as necessary.</p> <p>→ "Cleaning" on page 28</p>
Any other source.	<p>Please contact customer service.</p> <p>→ "Customer service" on page 34</p>

## Customer service

Before calling customer service, please check whether you can correct the fault yourself.

If you are unable to correct the fault, please contact customer service. We will always find an appropriate solution.


US	1-800-944-2904	Toll-free phone number
CA	1-800-944-2904	

When calling, please state the product number (E-Nr.) and the production number (FD), which can be found on the rating plate.

→ *"Getting to know your appliance" on page 14*

### Appliance self-test

Your appliance features a self-test program which displays the fault your customer service can rectify.

1. Press  **power** button.
  2. Pull out the power plug or switch off the circuit breaker and wait 5 minutes.
  3. Switch the appliance on again.
  4. Within the first 2 minutes press and hold **menu** button for 10 seconds until an audible signal sounds.  
The self-test program starts. While the self-test is running, a long audible signal sounds in the meantime.
- If 2 audible signals sound after the end of the self-test and the set temperature is displayed, your appliance is OK.
  - If 5 audible signals sound after the end of the self-test and the settings display shows **Er**, contact customer service.

When the program has ended, the appliance switches to normal operation.

### Warranty statement

Please see the enclosed statement of limited product warranty for detailed information on warranty coverage.

# fr Table des matières

 <b>Consignes de sécurité importantes</b> . . . . .	<b>36</b>	Éclairage du distributeur de glace et d'eau . . . . .	56
Définitions . . . . .	36	Régler la quantité d'eau de remplissage de bouteilles . . . . .	56
À propos de cette notice . . . . .	36	Activer ou désactiver la distribution de glace et d'eau et le distributeur de glaçons. . . . .	56
Introduction . . . . .	36	 <b>Alarme</b> . . . . .	<b>57</b>
Restrictions au cercle d'utilisateurs . . . . .	36	Alarme de porte . . . . .	57
Risque d'explosion . . . . .	36	Alarme de température . . . . .	57
Risque d'électrocution . . . . .	37	 <b>Home Connect</b> . . . . .	<b>57</b>
Risque d'engelures provoquées par le froid . . . . .	37	Configurer Home Connect . . . . .	58
Risque de blessure . . . . .	37	Installer une mise à jour du logiciel Home Connect . . . . .	59
Risque d'incendie/risques dus au fluide frigorigène . . . . .	37	Remarque sur la protection des données . . . . .	59
Risque d'incendie . . . . .	37	Diagnostic à distance . . . . .	59
Risque d'asphyxie . . . . .	38	 <b>Compartment réfrigérateur</b> . . . . .	<b>60</b>
Dégâts matériels . . . . .	38	Bac à légumes . . . . .	60
Poids . . . . .	38	Bac de rangement à froid . . . . .	60
Avertissements de la Proposition 65 de l'État de la Californie . . . . .	38	Consignes de rangement . . . . .	60
 <b>Utilisation conforme</b> . . . . .	<b>39</b>	 <b>Compartment congélateur</b> . . . . .	<b>61</b>
 <b>Protection de l'environnement</b> . . . . .	<b>39</b>	 <b>Distribution de glaçons et d'eau</b> . . . . .	<b>61</b>
Emballage . . . . .	39	Avant la première utilisation . . . . .	61
Appareil usagé . . . . .	39	Surveiller la qualité de l'eau potable . . . . .	61
 <b>Installation et branchement</b> . . . . .	<b>39</b>	Informations sur le fonctionnement du distributeur de glace et d'eau . . . . .	61
Contenu de livraison . . . . .	39	Distribuer des glaçons ou de l'eau . . . . .	62
Données techniques . . . . .	39	Option de remplissage de bouteille . . . . .	62
Installer l'appareil . . . . .	39	 <b>Dégivrer l'appareil</b> . . . . .	<b>62</b>
Économiser de l'énergie . . . . .	46	 <b>Nettoyage</b> . . . . .	<b>63</b>
Avant la première utilisation . . . . .	47	Nettoyer le compartiment intérieur de l'appareil . . . . .	63
Raccordement de l'eau . . . . .	47	Nettoyer l'équipement . . . . .	63
Connexion électrique . . . . .	47	 <b>Odeurs</b> . . . . .	<b>65</b>
 <b>Présentation de l'appareil</b> . . . . .	<b>48</b>	 <b>Éclairage</b> . . . . .	<b>65</b>
Appareil . . . . .	48	 <b>Bruits</b> . . . . .	<b>65</b>
Éléments de commande . . . . .	49	Bruits normaux . . . . .	65
Distribution de glaçons et d'eau . . . . .	50	Prévenir les bruits . . . . .	65
Équipement . . . . .	50	 <b>Dépannage, que faire ?</b> . . . . .	<b>66</b>
 <b>Utiliser l'appareil</b> . . . . .	<b>54</b>	Appareil . . . . .	66
Allumer l'appareil . . . . .	54	Distribution de glaçons et d'eau . . . . .	67
Arrêter et remiser l'appareil . . . . .	54	 <b>Service à la clientèle</b> . . . . .	<b>68</b>
Régler l'unité de température . . . . .	54	Autodiagnostic de l'appareil . . . . .	68
Régler la température . . . . .	54	Déclaration de garantie . . . . .	68
Super-réfrigération . . . . .	54		
Supercongélation . . . . .	54		
Mode économie d'énergie . . . . .	55		
Mode Fraîcheur . . . . .	55		
Mode Vacances . . . . .	55		
Mode Sabbat . . . . .	55		
Régler l'éclairage . . . . .	55		
Alarme de changement de filtre . . . . .	56		
Activer ou désactiver le verrouillage des touches (sécurité enfants) de la distribution de glace et d'eau . . . . .	56		

# **Consignes de sécurité importantes**

VEUILLEZ LIRE ET CONSERVER CES CONSIGNES!

## Définitions

### **AVERTISSEMENT**

La négligence des consignes de sécurité risque d'engendrer une situation dangereuse pouvant entraîner la mort ou de graves blessures.

### **ATTENTION**

La négligence des consignes de sécurité risque d'engendrer une situation dangereuse avec risque de blessure.

**AVIS :** Cette mise en garde indique un risque de dommage à l'appareil.

**Remarque :** Ce symbole sert à identifier des renseignements importants ou des conseils.

## À propos de cette notice

- Veuillez lire et respecter le contenu de cette notice d'utilisation et de montage. Elle contient des remarques importantes concernant l'installation, l'utilisation et l'entretien de l'appareil.
- Veuillez conserver tous ces documents en vue d'une réutilisation ultérieure ou pour le cas où l'appareil changerait de propriétaire.

## Introduction

- Cet appareil est conforme aux dispositions de sécurité applicables aux appareils électriques.
- Le circuit frigorifique a subi un contrôle d'étanchéité.

## Restrictions au cercle d'utilisateurs

- Prévenez les dangers pour les enfants et les personnes à risque.
- Les enfants et les personnes souffrant d'un handicap physique, sensoriel ou mental ou sans l'expérience ou les connaissances nécessaires peuvent utiliser cet appareil uniquement sous surveillance, après avoir été dûment renseignés sur le fonctionnement de l'appareil et après en avoir compris les dangers qui en émanent.
- Les enfants doivent être surveillés afin d'éviter qu'ils ne jouent avec l'appareil.

## Risque d'explosion


- N'utilisez pas d'appareils électriques à l'intérieur de l'appareil (par ex. appareils de chauffage, machine à glaçons).
- Ne stockez dans l'appareil aucun produit contenant des gaz propulseurs combustibles (bombes aérosols par exemple) et aucune substance explosive.
- Ne conservez les bouteilles de boissons fortement alcoolisées qu'hermétiquement fermées et debout.
- Hormis les instructions du fabricant, ne prenez aucune mesure visant à accélérer le dégivrage de l'appareil.

# **Consignes de sécurité importantes**

VEUILLEZ LIRE ET CONSERVER CES CONSIGNES!

## Risque d'électrocution

Toute installation ou réparation incorrecte peut engendrer des risques considérables pour l'utilisateur.

- Veillez à ne pas coincer ou endommager le câble d'alimentation en posant l'appareil.
- Dans une optique préventive, débranchez l'appareil dès que le câble d'alimentation est endommagé. Faites remplacer le câble secteur par le fabricant, le service à la clientèle ou une personne présentant une qualification équivalente.
- N'utilisez pas de rallonge, de bloc multiprise ou d'adaptateur.
- Débranchez la fiche de contact ou ramenez le disjoncteur en position éteinte avant d'effectuer l'entretien ou les opérations de montage autorisées sur l'appareil.
- Avant de nettoyer l'appareil, actionnez la touche  power pour l'éteindre. Les clayettes en verre et autres équipements peuvent être déplacés sans danger pendant que l'appareil est en marche.
- Ne retirez ni sectionnez jamais le troisième conducteur (conducteur de mise à la terre) du cordon d'alimentation.
- Ne décongelez et ne nettoyez jamais l'appareil avec un nettoyeur à vapeur. La vapeur risque d'atteindre des pièces électriques et de provoquer un court-circuit.
- Ne confiez la réparation ou le remplacement de l'appareil, du cordon et des accessoires qu'au fabricant ou à un technicien autorisé.
- N'utilisez que des pièces de rechange d'origine venant du fabricant. Le fabricant garantit que ces pièces d'origine remplissent les exigences de sécurité.

## Risque d'engelures provoquées par le froid

- Ne portez jamais des produits surgelés à la bouche immédiatement après les avoir sortis du compartiment congélateur.
- Évitez tout contact prolongé de la peau avec le produit congelé, la glace ou toute autre surface dans le compartiment congélateur.

## Risque de blessure

- Les récipients contenant des boissons gazeuses risquent d'éclater.
- Ne rangez jamais de boissons gazeuses dans le compartiment congélateur.



## Risque d'incendie/risques dus au fluide frigorigène

Dans les tubulures du circuit frigorifique circule une petite quantité de R600a, un fluide frigorigène écologique mais combustible. Le fluide frigorigène risque en fuyant de blesser les yeux ou de s'enflammer.

- Ne pas endommager les tubulures.

Si les tubulures ont été endommagées :

- Eloignez l'appareil de toute flamme nue ou source d'inflammation.
- Aérez la pièce.
- Éteignez l'appareil puis débranchez la fiche de contact de la prise de courant.
- Appelez le service à la clientèle.



## Risque d'incendie

Les blocs multiprises ou blocs secteur portables peuvent surchauffer et provoquer un incendie.

- N'utilisez pas de blocs multiprises ni de blocs secteur portables derrière l'appareil.

# **Consignes de sécurité importantes**

VEUILLEZ LIRE ET CONSERVER CES CONSIGNES!

## Risque d'asphyxie

- Ne confiez jamais l'emballage et ses pièces constitutives aux enfants.
- Afin d'empêcher les enfants de monter dans l'appareil, ne retirez jamais la paroi de séparation du compartiment à produits congelés (large).

## Dégâts matériels

Pour éviter des dégâts matériels :

- Ne vous servez jamais du socle, des glissières ou des portes comme marchepieds et ne vous appuyez jamais dessus.
- Veillez à ce que les pièces en matière plastique et les joints de porte soient exempts d'huile et de graisse.
- Pour débrancher, ne saisissez que la fiche mâle, pas le cordon de branchement.

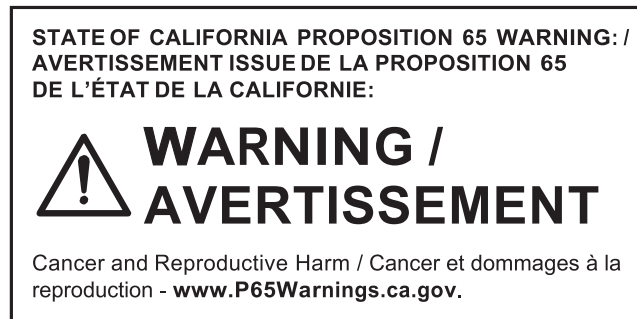
## Poids

L'appareil est très lourd. Il faut être au moins 2 deux personnes pour installer et transporter l'appareil.

→ *"Installation et branchement"*  
à la page 39

## Avertissements de la Proposition 65 de l'État de la Californie

Ce produit pourrait contenir un produit chimique reconnu par l'État de la Californie comme cancérigène ou ayant des effets nocifs sur la reproduction. Par conséquent, l'emballage de votre produit pourrait porter l'étiquette suivante, comme requis par la Californie :



## Utilisation conforme

Utilisez cet appareil

- Uniquement pour refroidir et congeler des produits alimentaires, préparer des glaçons et distribuer de l'eau.
- Uniquement dans un foyer et dans l'environnement domestique.
- Uniquement en conformité avec la présente notice d'utilisation.

Cet appareil est conçu pour une utilisation jusqu'à une altitude maximale de 4000 m (13 123 pi) au-dessus du niveau de la mer.

## Protection de l'environnement

### Emballage

Tous les matériaux sont non polluants et recyclables :

- Éliminez l'emballage dans le respect de l'environnement.
- Veuillez vous informer sur les modes d'élimination des déchets auprès de votre revendeur ou de l'administration publique.

### Appareil usagé

L'élimination dans le respect de l'environnement permet de récupérer de précieuses matières premières.

### AVERTISSEMENT

LES ENFANTS RISQUE DE S'ENFERMER DANS L'APPAREIL ET DE S'ASPHYXIER. !

Avant d'envoyer l'appareil au recyclage :

- Démontez la porte et le tiroir.
- Pour dissuader les enfants de grimper dans l'appareil, ne retirez pas les clayettes et les bacs !
- Éloignez les enfants de l'appareil qui a cessé de servir.

### ATTENTION

LE FLUIDE FRIGORIGÈNE ET DES GAZ NOCIFS PEUVENT SE DÉGAGER.

Veillez à ne pas endommager les tubulures du circuit frigorifique, ni l'isolant.

1. Débranchez la fiche de contact de la prise de courant.
2. Coupez le câble de raccordement secteur.
3. Acheminez l'appareil au service d'élimination approprié.

## Installation et branchement

### Contenu de livraison

Après avoir déballé le produit, inspectez toutes les pièces pour détecter d'éventuels dégâts dus au transport.

Si des dommages sont constatés, veuillez vous adresser à votre revendeur ou auprès de notre service à la clientèle.

→ "Service à la clientèle" à la page 68

La livraison comprend les pièces suivantes :

- Appareil indépendant
- Matériel de montage
- Équipement (selon le modèle)
- Notice de montage et d'utilisation
- Déclaration sur la garantie de produit limitée
- Informations relatives à la consommation d'énergie et aux bruits

### Données techniques

La plaque signalétique mentionne le fluide frigorigène, le volume utile ainsi que d'autres renseignements.

→ "Présentation de l'appareil" à la page 48

### Installer l'appareil

#### Lieu d'installation

Respectez ces consignes lorsque vous installez votre appareil.

### AVERTISSEMENT

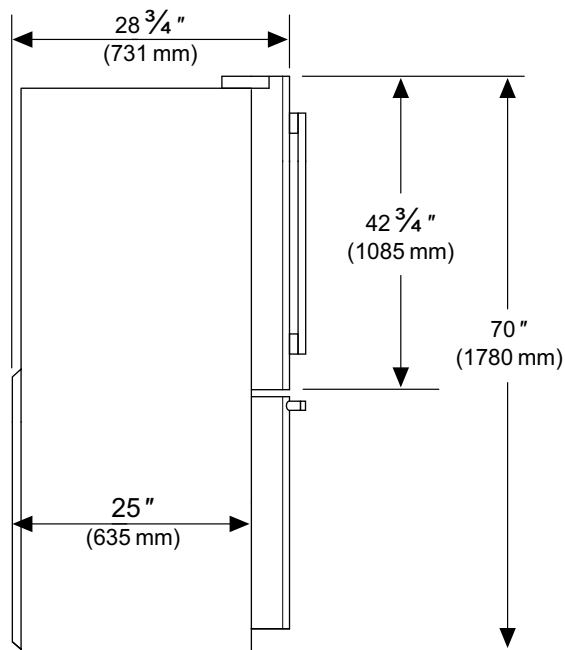
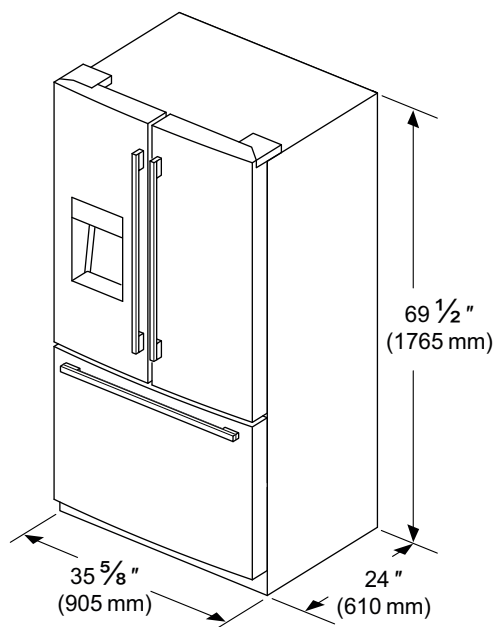
RISQUE D'EXPLOSION !

Si l'appareil est installé dans une pièce trop petite, une éventuelle fuite du circuit de réfrigération peut donner lieu à la formation d'un mélange de gaz et d'air inflammable. Installez l'appareil uniquement dans une pièce avec un volume minimal de 36 pi<sup>3</sup> (1 m<sup>3</sup>) par 0,3 oz (8 g) de fluide frigorigène. La quantité de fluide frigorigène est indiquée sur la plaque signalétique.

→ "Présentation de l'appareil" à la page 48

Selon le modèle, le poids de l'appareil départ usine peut atteindre 320 lb (145 kg). Le plancher doit être assez stable pour supporter le poids de l'appareil.

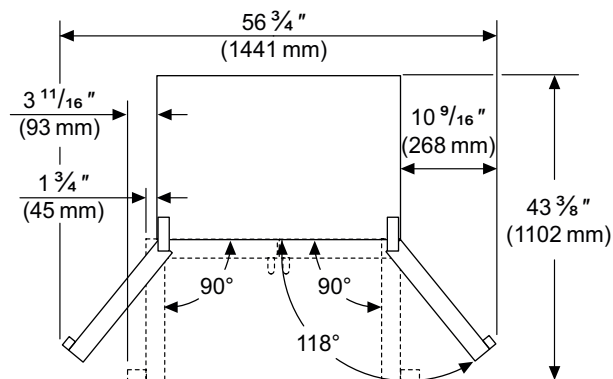
## Cotes d'installation



### Angle d'ouverture de porte

Si le lieu d'installation restreint l'angle d'ouverture de la porte à moins de  $118^\circ$ , procurez-vous un butoir à  $90^\circ$  auprès de notre service à la clientèle.

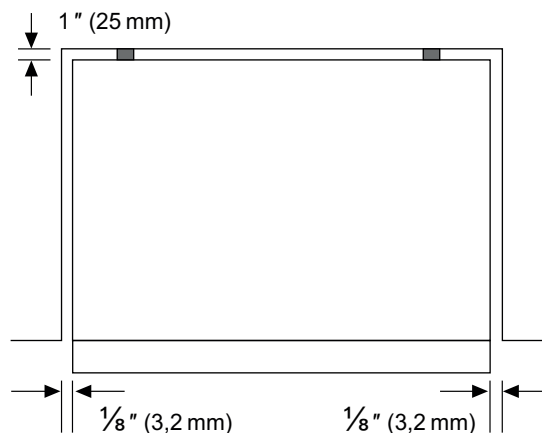
→ "Service à la clientèle" à la page 68



### Interstices minimum :

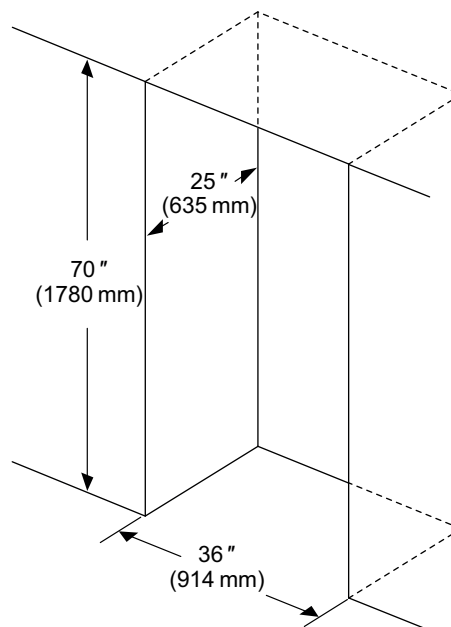
Prévoyez un écart de  $\frac{1}{2}$  po (12,7 mm) au-dessus de l'appareil.

Respectez les distances minimales suivantes :



### Dimensions de niche

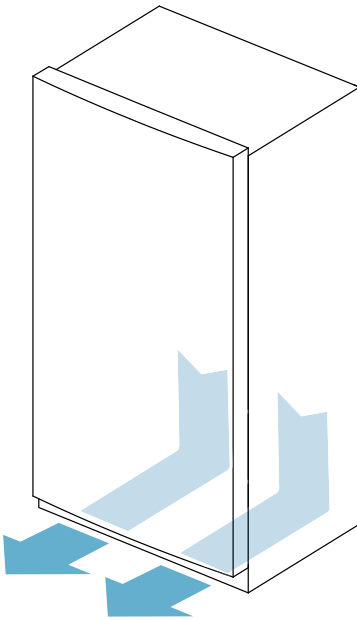
Si vous installez l'appareil dans une niche, observez les dimensions suivantes :





### Aération

Ne recouvrez et n'obstruez en aucun cas les orifices de ventilation et d'aération.

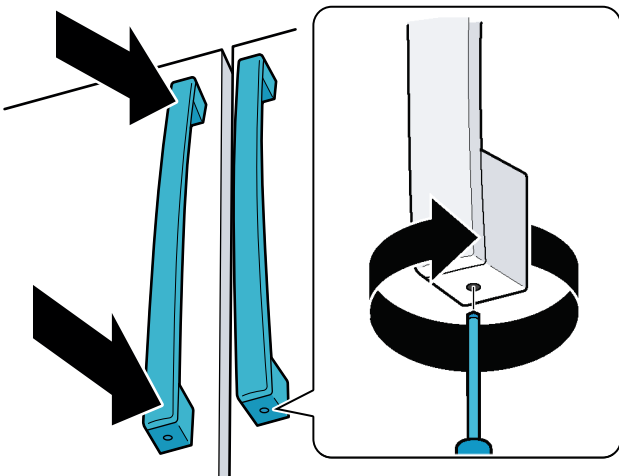


### Monter la poignée de porte

1. En tenant la poignée verticalement, posez-la sur le boulon prémonté.

**Remarque :** Les trous de la poignée doivent pointer vers le haut et vers le bas.

2. Avec une clé Allen, vissez de 2,5 mm les vis sans tête prémontées par le haut et par le bas.

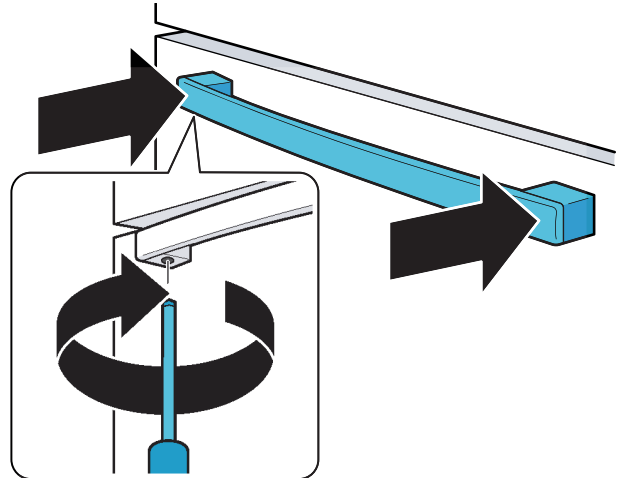


### Monter la poignée de tiroir

1. En tenant la poignée horizontalement, posez-la sur le boulon prémonté.

**Remarque :** Les trous de la poignée doivent pointer vers le bas.

2. Avec une clé Allen, vissez de 2,5 mm les vis sans tête prémontées par le bas.



### Ajuster l'appareil

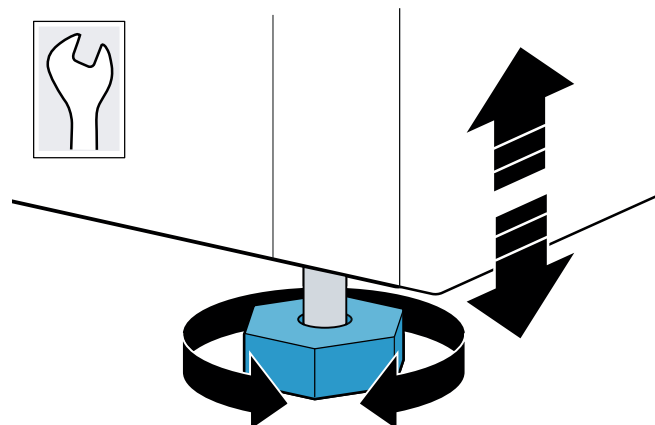
#### ⚠ ATTENTION

- Afin de prévenir les dommages au plancher, relevez toujours les pattes à visser avant de déplacer l'appareil.
- Les deux pattes à visser avant doivent toujours toucher le plancher afin d'empêcher l'appareil de basculer ou de rouler à l'ouverture de la porte.

L'appareil est pourvu de roulettes afin d'en faciliter le déplacement et l'ajustement :

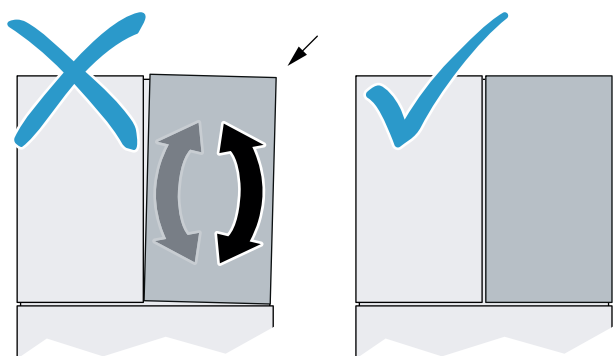
1. Placez l'appareil verticalement sur un plancher stable et plan.
2. Avec une clé à molette, vissez les pieds réglages vers le bas afin que ces derniers touchent au plancher.
3. Si le plancher présente des inégalités, compensez-les à l'aide des deux pieds à vis situés à l'avant de l'appareil.

**Remarque :** Pour l'alignement, utilisez un niveau à bulle.



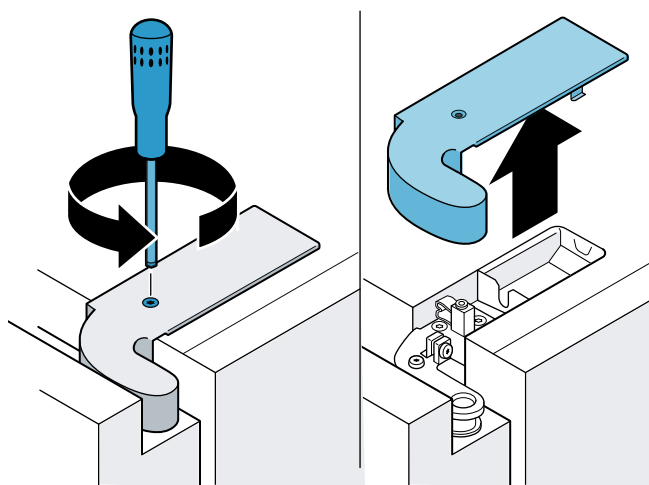
## Aligner les portes du compartiment réfrigérateur

### Ajuster le jeu vertical des portes du compartiment réfrigérateur :



**Remarque :** Videz le contenu de la porte, le cas échéant.

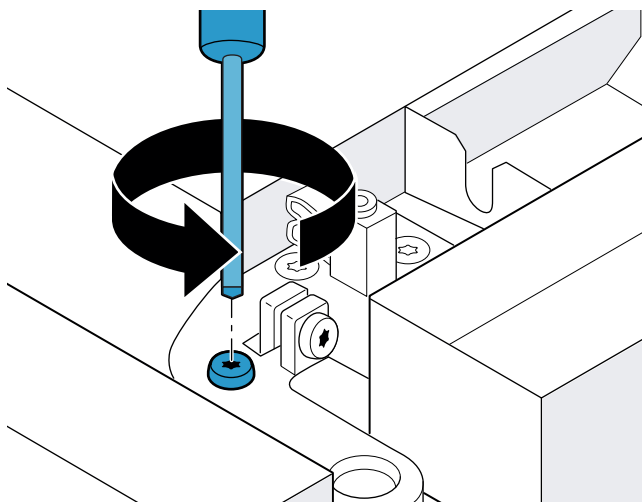
1. Retirez la vis T20 et le capuchon de protection de la charnière de porte.



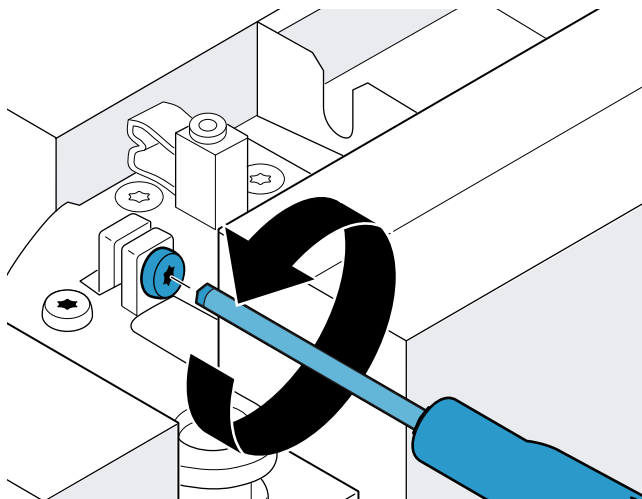
2. Desserrez la vis de sécurité.

### ⚠ ATTENTION

Ne retirez pas la vis de sécurité.

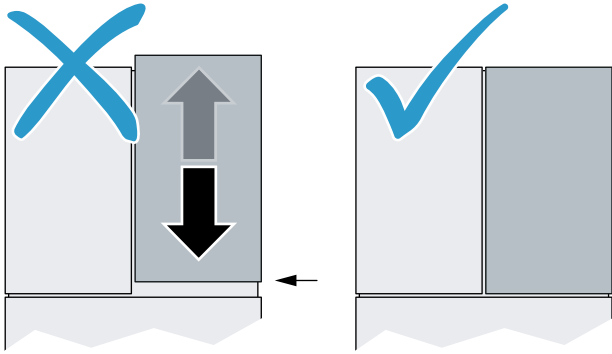


3. Tournez la vis de réglage, la porte fermée, jusqu'à la position souhaitée soit atteinte.
  - Pour déplacer l'extrémité de porte supérieure vers l'extérieur de l'appareil, tournez la vis dans le sens des aiguilles d'une montre.
  - Pour déplacer l'extrémité de porte supérieure vers l'intérieur de l'appareil, tournez la vis dans le sens inverse des aiguilles d'une montre.



4. Fermez la porte pour contrôler la position et la corriger si nécessaire.
5. Resserrez la vis de sécurité.
6. Montez le capuchon de protection et resserrez la vis T20.

### Ajustez le jeu horizontal entre les portes et le tiroir :

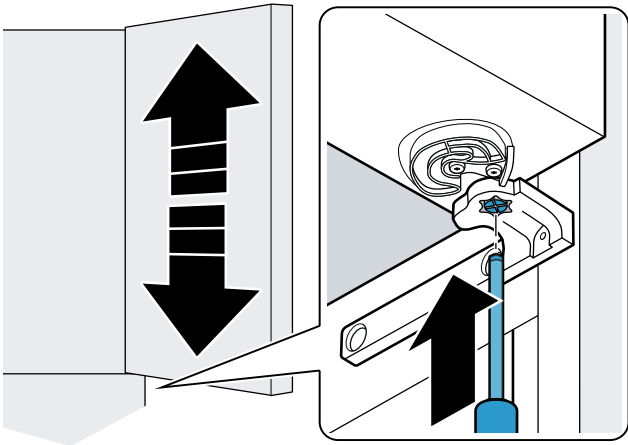


#### **ATTENTION**

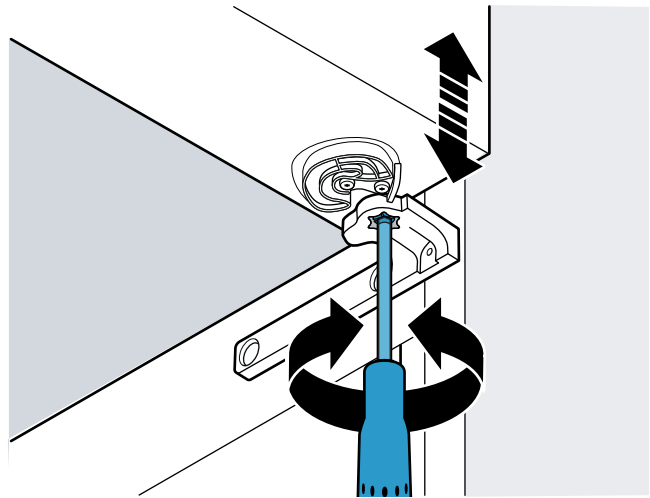
Pour ne pas endommager l'appareil, abaissez la porte de droite si la portion supérieur du montant de la porte touche à l'enceinte.

**Remarque :** Videz le contenu de la porte, le cas échéant.

1. Ouvrez la porte et le tiroir.
2. Soulevez la porte et passez un tournevis par le bas dans la charnière de la porte.



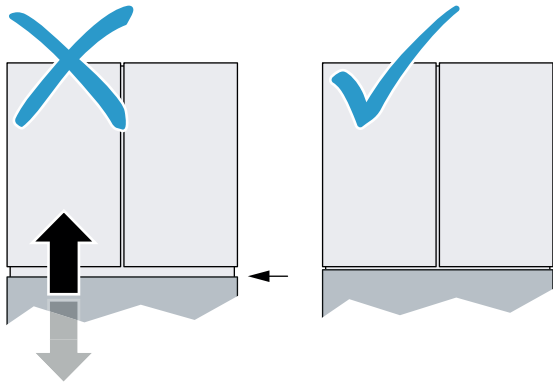
3. Poussez la pièce de réglage vers le haut et tournez-la de 60° jusqu'à ce que la position souhaitée soit atteinte.
  - La hauteur de porte peut être réglée sur 2 niveaux, décalés de 1/16" (1,6 mm). Le niveau le plus haut est suivi par le niveau le plus bas. La pièce de réglage s'enclenche dès qu'une position est atteinte.
  - Pour déplacer la porte vers le haut, tournez-la dans le sens des aiguilles d'une montre.
  - Pour déplacer la porte vers le bas, tournez-la dans le sens inverse des aiguilles d'une montre.



4. Fermez la porte et le tiroir pour contrôler la position et la corriger si nécessaire.

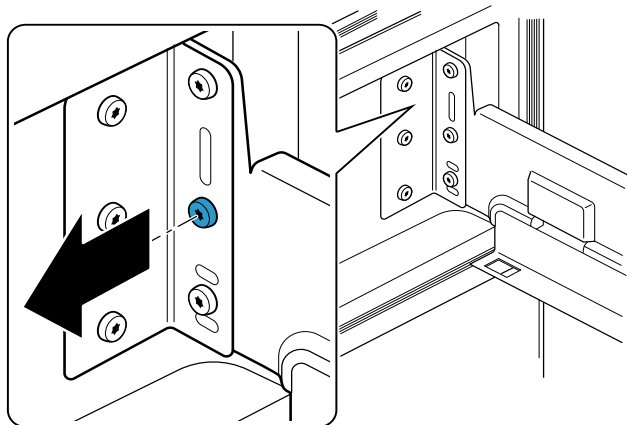
## Ajuster les tiroirs

**Vous pouvez ajuster le tiroir verticalement :**



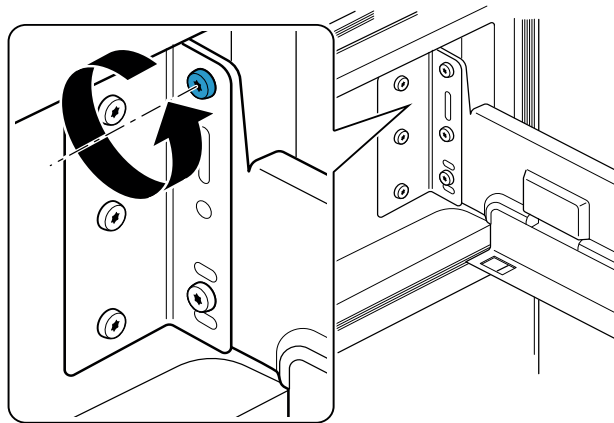
1. Ouvrez le tiroir jusqu'en butée et sortez le bac.
2. Retirez la vis intermédiaire des deux côtés.

**Remarque :** Conservez les vis si vous souhaitez réinitialiser les réglages d'usine du tiroir.



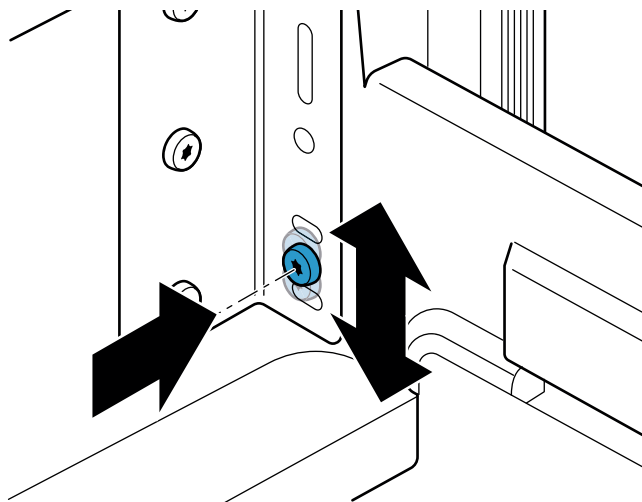
3. Desserrez la vis supérieure des deux côtés.

**Remarque :** Ne retirez pas les vis.



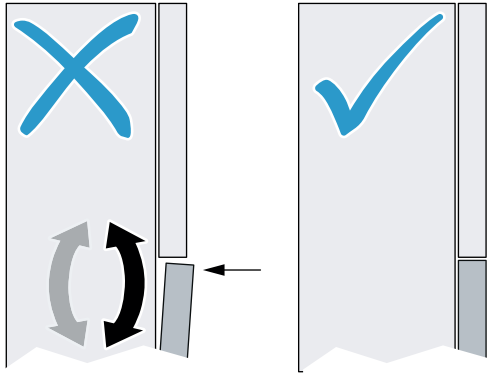
4. Soulevez le tiroir et retirez la vis inférieure des deux côtés.
5. Déplacez le tiroir verticalement dans la position souhaitée et vissez la vis inférieure dans l'un des deux trous prescrits.

**Remarque :** Le tiroir peut être déplacé de 1/16 " (1,6 mm) vers le haut et vers le bas.



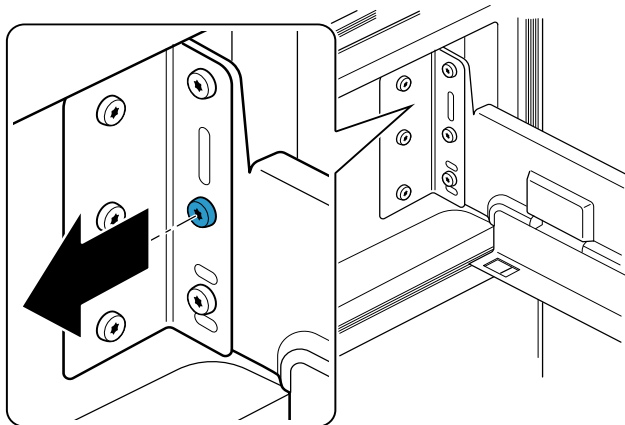
6. Reserrez toutes les vis.
7. Pour contrôler la position, fermez le tiroir et corrigez, si nécessaire.

**Vous pouvez ajuster l'inclinaison du tiroir verticalement :**



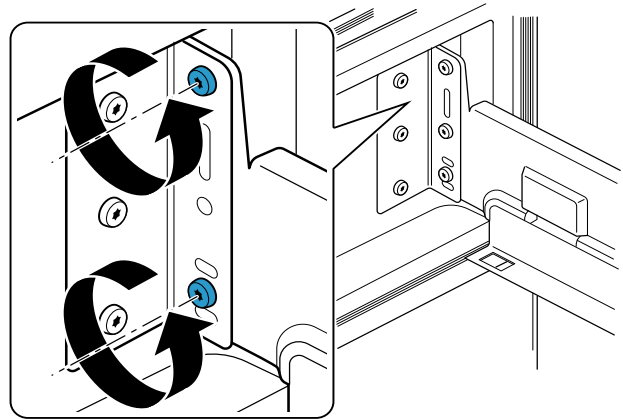
1. Ouvrez le tiroir jusqu'en butée et sortez le bac.
2. Retirez la vis intermédiaire des deux côtés.

**Remarque :** Conservez les vis si vous souhaitez réinitialiser les réglages d'usine du tiroir.

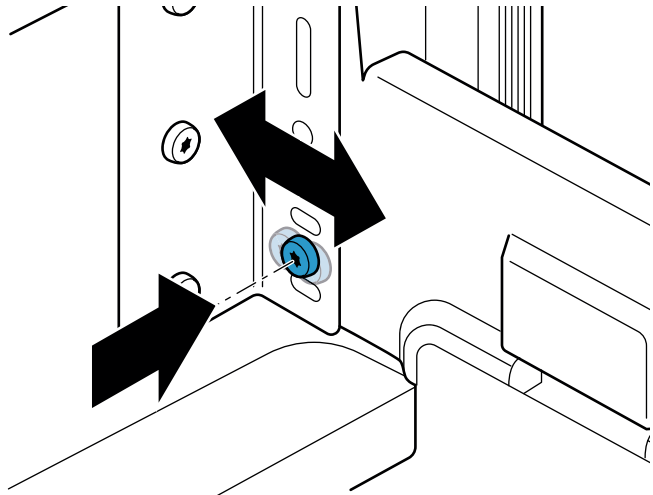


3. Desserrez les vis supérieures et inférieures des deux côtés.

**Remarque :** Ne retirez pas les vis.



4. Déplacez le tiroir latéralement dans la position souhaitée et vissez la vis.



5. Reserrez toutes les vis.
6. Pour contrôler la position, fermez le tiroir et corrigez, si nécessaire.

## Économiser de l'énergie

Si vous respectez les instructions suivantes, votre appareil consommera moins de courant.

**Remarque :** L'agencement des pièces d'équipement n'a aucune influence sur la consommation d'énergie de l'appareil.

Installer l'appareil	
Mettez l'appareil à l'abri des rayons du soleil.	En présence de températures ambiantes basses, l'appareil doit réfrigérer moins souvent et il consomme donc moins de courant.
Installer l'appareil à la plus grande distance possible d'un radiateur, d'une cuisinière et d'autres sources de chaleur : Minimum 1 1/4" (3 cm) d'une cuisinière électrique ou à gaz. Minimum 1 1 3/4" (30 cm) d'un appareil de chauffage à l'huile ou au charbon.	
Choisissez un lieu d'installation où règne une température ambiante d'environ 68 °F (20 °C).	
Ne recouvrez et ne bouchez pas les orifices d'aération.	L'appareil consomme moins de courant si l'air chaud peut s'échapper.
Aérez quotidiennement la pièce.	
Utilisation de l'appareil	
N'ouvrez la porte de l'appareil que brièvement.	L'air dans l'appareil ne se réchauffe pas aussi fortement. L'appareil doit réfrigérer plus rarement et consomme de la sorte moins d'électricité.
Transportez les produits alimentaires achetés dans un sac isotherme et rangez-les rapidement dans l'appareil.	
Attendez que les plats chauds aient refroidi avant de les ranger dans l'appareil.	
Pour décongeler les produits congelés, rangez-les dans le compartiment réfrigérateur pour profiter du froid des produits congelés.	L'air peut circuler de cette manière et l'humidité de l'air demeure constante. L'appareil doit réfrigérer plus rarement et consomme de la sorte moins d'électricité.
Laissez toujours un peu de place entre les produits alimentaires et la paroi arrière.	
Emballez hermétiquement les produits alimentaires.	
Ne recouvrez et ne bouchez pas les orifices d'aération.	L'appareil consomme moins de courant si l'air chaud peut s'échapper.
Une fois ou plus par an, passez l'aspirateur au dos de l'appareil.	

## Avant la première utilisation

1. Retirez la documentation informative, les rubans adhésifs et la feuille protectrice.
2. Retirez le câble secteur de l'appareil.
3. Nettoyez l'appareil.  
→ "Nettoyage" à la page 63
4. Montez l'équipement.  
→ "Équipement" à la page 50

## Raccordement de l'eau

### ATTENTION

- Veillez à ne jamais plier, écraser, modifier ou transpercer les tuyaux d'eau.
- Ne tirez jamais sur le tuyau d'eau ou sur la paroi arrière de l'appareil.
- Afin d'éviter d'endommager l'appareil ou d'en perturber le fonctionnement, il est impératif de le brancher uniquement à une prise d'eau potable.
- Installez une soupape d'arrêt afin de prévenir les dégâts d'eau.

### Remarques

- L'installation et le raccordement de l'appareil doivent être réalisés par un spécialiste.
- La soupape d'arrêt doit rester accessible une fois l'appareil installé.
- Observez les directives locales sur l'alimentation en eau.

### La qualité de l'eau du raccordement à l'eau est contrôlée :

- Nettoyez soigneusement la ligne d'eau qui alimente l'appareil jusqu'à ce que l'eau cesse de présenter des dépôts ou de la turbidité.
- Si la ligne d'eau qui alimente l'appareil continue de présenter des dépôts ou de la turbidité, posez un système de filtration d'eau externe.

### Pression hydraulique de la conduite d'eau potable

### ATTENTION

Si la pression hydraulique excède la valeur maximale, faites installer un limiteur de pression entre la conduite d'eau potable et le kit de tuyaux afin d'éviter d'endommager l'appareil.

**Remarque :** Une pression hydraulique trop basse perturbe certaines fonctions de base de l'appareil.

- Pression d'eau minimale : 0,2 Mpa (2 bars / 29 psi)
- Pression d'eau maximale : 0,8 Mpa (8 bars / 116 psi)

## Connexion électrique

### ATTENTION

Ne raccordez pas l'appareil à une fiche électronique d'économie d'énergie.

**Remarque :** Vous pouvez raccorder l'appareil à des onduleurs pilotés par le réseau et pilotés en onde sinusoïdale.

Les onduleurs pilotés par le réseau s'utilisent sur les installations photovoltaïques directement raccordées au réseau public d'électricité. Dans les solutions en îlot, vous devrez utiliser des onduleurs pilotés en onde sinusoïdale. Les solutions en îlot, par exemple sur les bateaux ou les refuges de montage, n'ont pas de raccordement direct au réseau public d'électricité.

1. Brancher le connecteur du câble secteur à l'arrière de l'appareil.
2. Assurez-vous que la prise de courant est correctement installée et qu'elle est conforme aux exigences.

### Critères pour la prise murale

Prise murale avec fil de

terre : 110 V ... 127 V / 60 Hz  
Fusible : minimum 15 A ... 20 A

### Tension maximale

Appareil : 5,5 A

3. Raccordez l'appareil à une prise à proximité. Cette prise doit rester accessible même une fois l'appareil installé.

### AVERTISSEMENT

RISQUE D'ÉLECTROCUTION !

N'utilisez pas de rallonge, de bloc multiprise ou d'adaptateur.

L'appareil doit être correctement mis à la terre.

Ne retirez ni sectionnez jamais le troisième conducteur (conducteur de mise à la terre) du cordon d'alimentation.

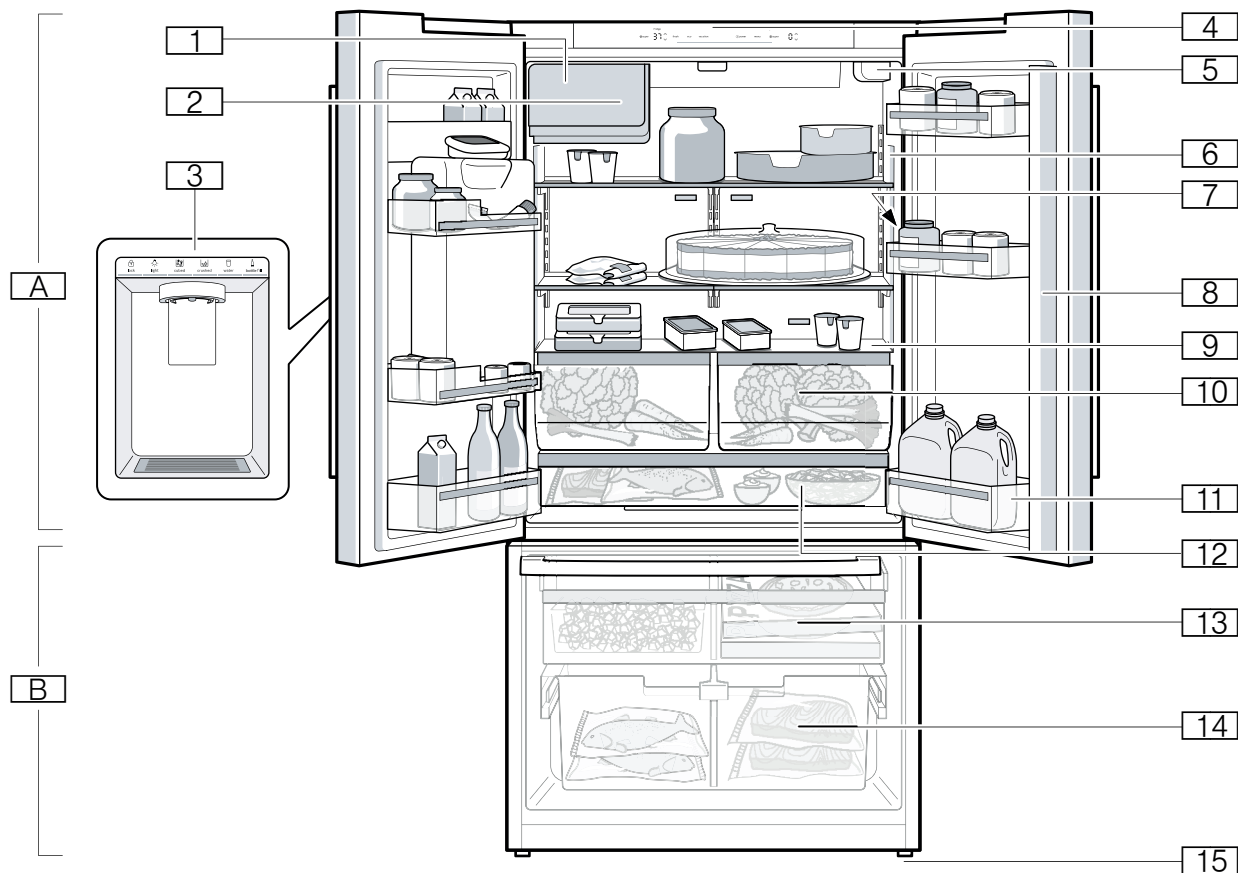
### AVERTISSEMENT

RISQUE D'ÉLECTROCUTION !

Si la longueur du cordon d'alimentation est insuffisante, abstenez-vous à tout prix d'utiliser une rallonge ou un bloc multiprise. Contactez plutôt le service à la clientèle pour des solutions de rechange.

## Présentation de l'appareil

### Appareil

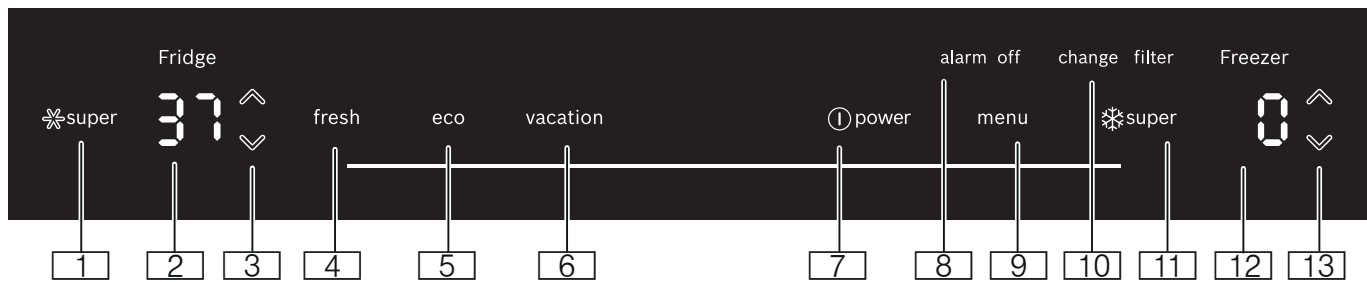


**A** Compartiment réfrigérateur  
**B** Compartiment congélateur

**1** Distributeur de glaçons  
**2** Bac à glaçons  
**3** Distribution de glaçons et d'eau  
**4** Éléments de commande  
**5** Filtre à eau  
**6** Éclairage intérieur  
**7** Plaque signalétique  
**8** Montant de porte avec protection anti-condensation  
**9** Cloison séparatrice avec régulateur d'humidité  
**10** Bac à légumes  
**11** Clayette pour grandes bouteilles  
**12** Bac de rangement à froid  
**13** Tiroir à produits congelés (dessus)  
**14** Bac à produits congelés (grand)  
**15** Pied à vis



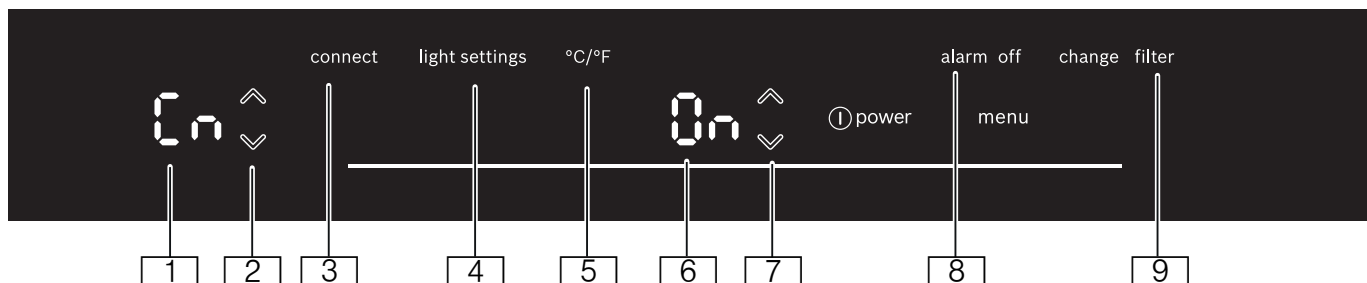
## Éléments de commande



- 1 Touche \* **super** compartiment réfrigérateur  
Allume ou éteint la super-réfrigération.
- 2 Affichage de la température du compartiment réfrigération  
Affiche la température réglée en °C/°F.
- 3 Touche  $\wedge/\vee$  compartiment réfrigérateur  
Règle la température du compartiment réfrigérateur.
- 4 Touche **fresh**  
Allume ou éteint le mode Fraîcheur.
- 5 Touche **eco**  
Allume ou éteint le mode Économie d'énergie.
- 6 Touche **vacation**  
Allume ou éteint le mode Vacances.

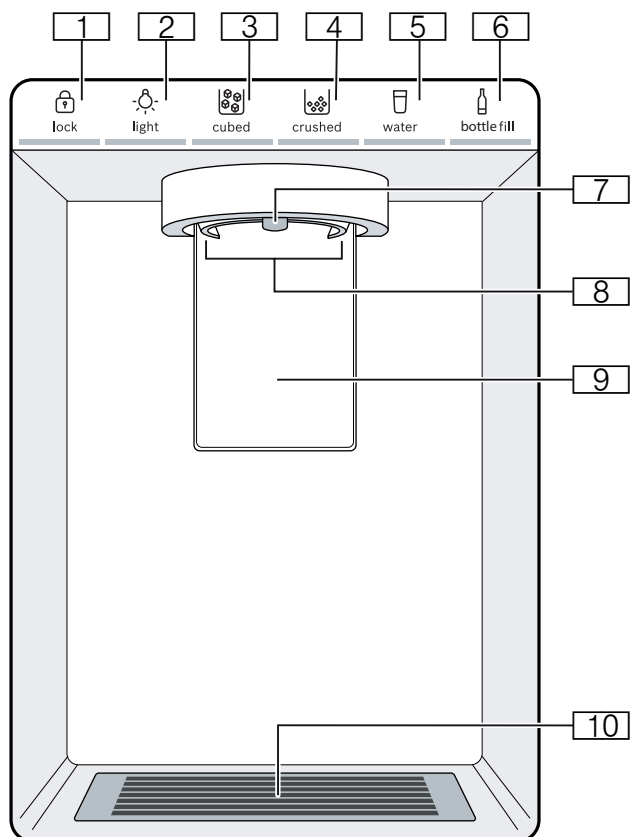
- 7 Touche  $\textcircled{1}$  **power**  
Allume ou éteint l'appareil.
- 8 Touche **alarm off**  
Éteint l'alarme.
- 9 Touche **menu**  
Ouvre le menu.
- 10 Touche **change filter**  
Désactive l'alarme de changement de filtre.
- 11 Touche \* **super** compartiment congélateur  
Allume ou éteint la supercongélation.
- 12 Affichage de la température dans le compartiment congélateur  
Affiche la température réglée en °C/°F.
- 13 Touche  $\wedge/\vee$  compartiment congélateur  
Règle la température du compartiment congélateur.

## Éléments de commande Sous-menu



- 1 L'affichage Sous-menu  
Indique le sous-menu sélectionné.
- 2 Touche  $\wedge/\vee$  Sous-menu  
Sert à naviguer dans le sous-menu.
- 3 Touche **connect**  
Ouvre le menu Home Connect.
- 4 Touche **light settings**  
Ouvre le menu Éclairage.
- 5 Touche **°C/°F**  
Ouvre le menu Unité de température.
- 6 Affichage Paramètres  
Indique les réglages du sous-menu.
- 7 Touche  $\wedge/\vee$  Paramètres  
Modifie les réglages du sous-menu.
- 8 Touche **alarm off**  
Ouvre le menu Alarme.
- 9 Touche **change filter**  
Ouvre le menu Filtre.

## Distribution de glaçons et d'eau



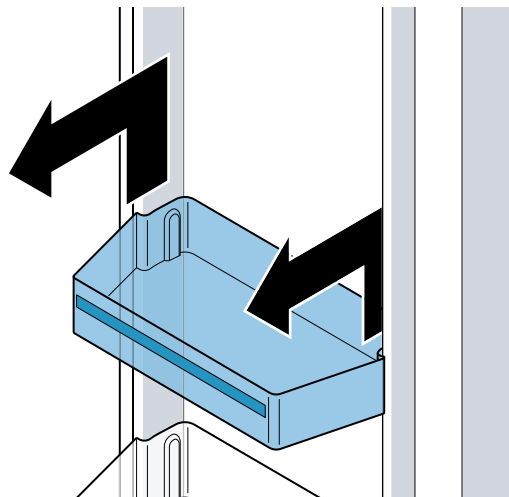
- 1 Touche **lock**  
Bloque ou débloque la distribution de glaçons et d'eau
- 2 Touche **light**  
Active ou désactive l'éclairage de longue durée de la distribution de glace et d'eau.
- 3 Touche **cubed**  
Règle la distribution de glaçons.
- 4 Touche **crushed**  
Règle la distribution de glace pilée.
- 5 Touche **water**  
Règle la distribution d'eau.
- 6 Touche **bottle fill**  
Règle la distribution d'eau sur une quantité prédéfinie.
- 7 Sortie du distributeur d'eau
- 8 Orifice de distribution de glace
- 9 Levier de distribution
- 10 Bac d'égouttage

## Équipement

### Support

Vous pouvez retirer la clayette :

- Soulevez la clayette et retirez-la.



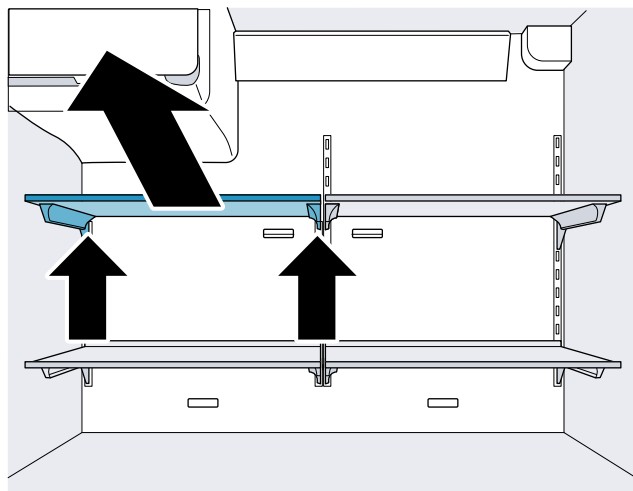
### Clayette

Vous pouvez retirer la clayette et en modifier la position :

- Soulevez la clayette et retirez-la.

### Remarques

- Ne bouchez pas les orifices de ventilation.
- Posez prudemment la clayette afin d'éviter d'égratigner l'appareil.
- Assurez-vous que les crochets sont pleinement engagés et que la clayette repose à l'horizontale.



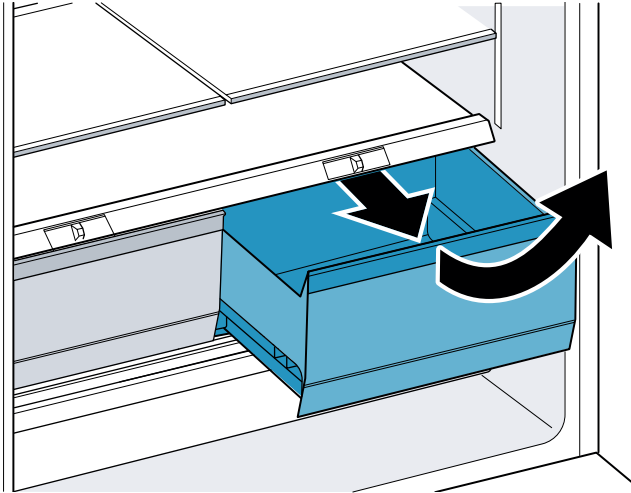
**Bac à légumes**

Vous pouvez retirer le bac :

- Tirez le bac vers vous jusqu'à la butée, soulevez-le par l'avant puis retirez-le.

Vous pouvez insérer le bac :

- Sortez complètement les rails de sortie.
- Posez le bac sur les rails de sortie et poussez-le dans l'appareil jusqu'à ce qu'il s'enclenche.

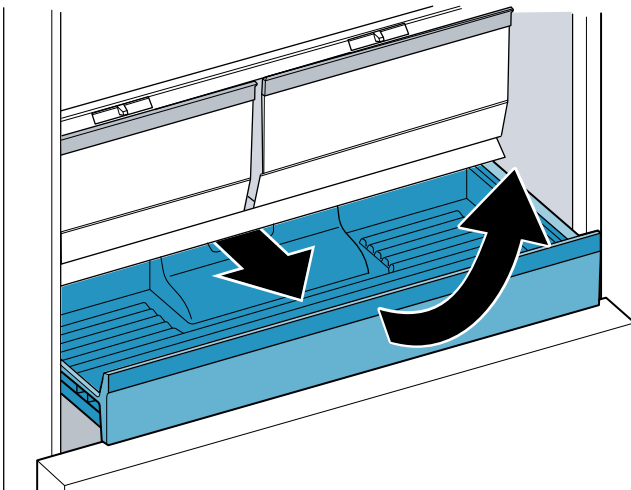
**Bac de rangement à froid**

Vous pouvez retirer le bac :

- Tirez le bac vers vous jusqu'à la butée, soulevez-le par l'avant puis retirez-le.

Vous pouvez insérer le bac :

- Sortez complètement les rails de sortie.
- Posez le bac sur les rails de sortie et poussez-le dans l'appareil jusqu'à ce qu'il s'enclenche.

**Tiroir à produits congelés (dessus)****⚠ ATTENTION**

BRIS D'ÉQUIPEMENT

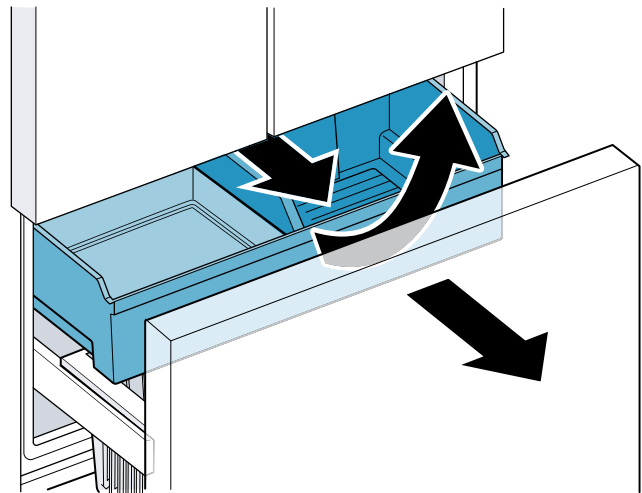
Ne retirez jamais la plaque séparatrice du bac.

Vous pouvez retirer le bac :

- Tirez le bac vers vous jusqu'à la butée, soulevez-le par l'avant puis retirez-le.

Vous pouvez insérer le bac :

- Sortez complètement les rails de sortie.
- Posez le bac sur les rails de sortie et poussez-le dans l'appareil jusqu'à ce qu'il s'enclenche.



## Bac à produits congelés (grand)

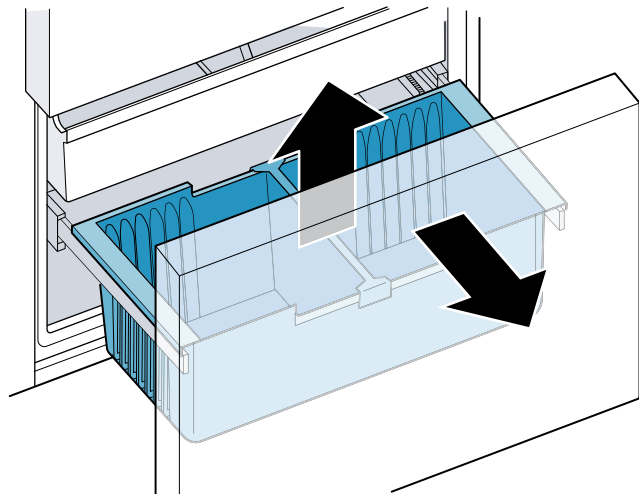
### ⚠ ATTENTION

#### BRIS D'ÉQUIPEMENT

Ne retirez jamais la plaque séparatrice du bac.

Vous pouvez retirer le bac à produits congelés (grand) :

1. Tirez le tiroir du compartiment congélateur jusqu'en butée, puis retirez le bac à produits congelés (dessus).
2. Soulevez le bac à produits congelés (grand) et sortez-le.



## Distributeur de glaçons

### ⚠ AVERTISSEMENT

#### RISQUE DE BLESSURE !

Ne mettez pas votre main sous ou dans le distributeur de glaçons.

### Remarques

- La production de glaçons commence dès que l'appareil atteint la température réglée.
- Les premiers glaçons sont prêts environ 4 heures après que l'appareil ait atteint la température réglée.
- Les glaçons préparés descendent automatiquement dans le bac à glaçons.
- La production de glaçons s'arrête automatiquement lorsque le réservoir de glaçons est plein.
- Pour des raisons d'hygiène, jetez tous les glaçons produits durant les 24 premières heures.

## Bac à glaçons

### ⚠ AVERTISSEMENT

#### RISQUE DE BLESSURE !

N'insérez jamais vos doigts dans l'orifice de distribution du bac à glaçons.

### ⚠ AVERTISSEMENT

#### RISQUE D'ENGELURES PROVOQUÉES PAR LE FROID !

Évitez tout contact de la peau avec de la glace et les surfaces métalliques dans le bac à glaçons.

### ⚠ ATTENTION

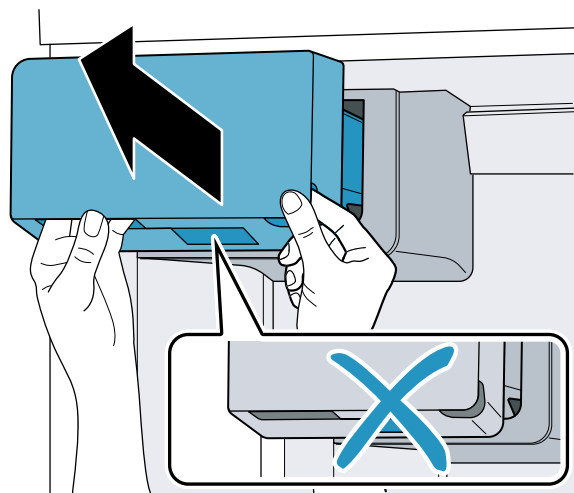
- **Dommages à l'appareil** : Ne jamais ranger de bouteilles ou d'aliments dans le bac à glaçons, et ce même pour une courte période. Cela pourrait bloquer et endommager le distributeur de glaçons.
- **Bris d'équipement** : Ne jamais mettre le bac à glaçons sous l'eau courante ou au lave-vaisselle.
- **Un bac rempli de glaçons est lourd** : Retirez le bac à glaçons avec les deux mains.

### Remarques

- Vous pouvez prélever une grande quantité de glaçons directement du bac à glaçons ou du contenant de produits surgelés (dessus).
- Ne pas déposer manuellement de glaçons supplémentaires dans le bac.
- Nettoyer le bac à glaçons avec de l'eau tiède et un chiffon doux afin d'éviter que les nouveaux glaçons n'y adhèrent.

Vous pouvez retirer le bac à glaçons :

- Saisissez le bac par les encoches situées au-dessous de ce dernier, puis extrayez-le par l'avant.

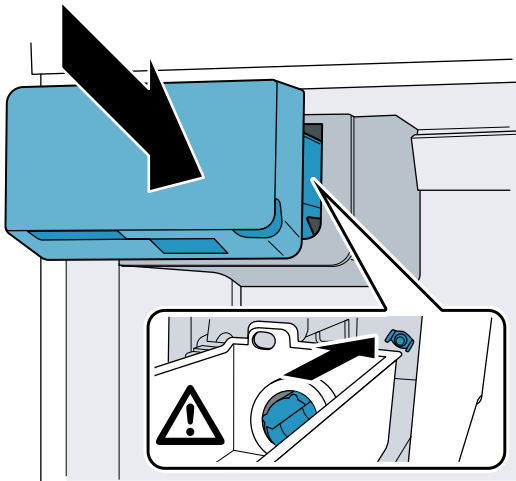


Vous pouvez remettre en place le bac à glaçons :

- Posez le bac dans l'ouverture et poussez-le jusqu'à ce qu'il s'enclenche.

#### Remarques

- Si vous n'arrivez pas à pousser le bac en place, éliminez l'excédent de glace dans l'ouverture.
- Lorsque vous le remettez en place, la position de rotation du convoyeur à vis doit concorder avec la position de l'ouverture.
- Si le bac est difficile à réinsérer, faites tourner le convoyeur à vis sur le bac et essayez de nouveau.



#### Filtre à eau

**Remarque :** Pour des raisons d'hygiène, jetez tous les glaçons produits durant les 24 premières heures après l'installation d'un nouveau filtre à eau ou prélevez puis jetez l'eau pendant 5 minutes.

Le filtre à eau fourni ne filtre que les particules dans l'eau et le goût de chlore et non pas les bactéries ou microbes :

Remplacez le filtre à eau :

- tous les 6 mois
- si le bouton **change filter** clignote
- Lorsque le débit d'eau est manifestement ralenti

**Remarque :** Pour un filtre à eau neuf, adressez-vous à notre service client, à votre revendeur ou consultez notre site Web.

Si vous utilisez un système de filtration d'eau externe, vous pouvez aussi vous servir de l'appareil sans filtre à eau. Pour ce faire, remplacez le filtre à eau par un filtre avec dérivation :

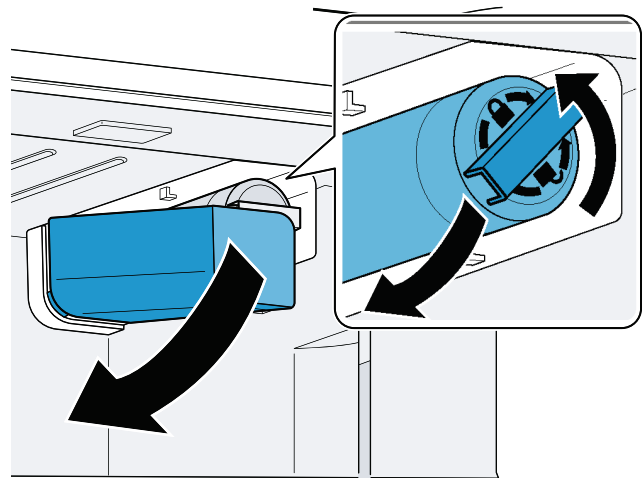
- Le filtre avec dérivation filtre les grosses particules dans l'eau potable et peut être nettoyé au besoin.
- Le filtre avec dérivation peut demeurer longtemps dans l'appareil; nul besoin de le remplacer.
- Éteignez l'alarme de changement de filtre dès que la touche **change filter** s'allume.  
→ "Alarme de changement de filtre"  
à la page 56

**Remarque :** Pour un filtre avec dérivation, adressez-vous à notre service client ou consultez notre site Web.

#### Remplacez le filtre à eau par un neuf ou par un filtre avec dérivation :


#### Remarques

- De l'eau s'écoule du filtre lorsqu'il est remplacé. Essuyez les gouttes avec un chiffon doux.
  - Vous pouvez jeter le filtre à eau usé avec les ordures ménagères.
1. Agrippez le couvercle du filtre par la rainure inférieure, le tirer légèrement vers l'avant, puis déplacez-le à gauche vers le bas.
  2. Faites pivoter le filtre de 90° dans le sens inverse des aiguilles d'une montre, puis retirez-le.
  3. Poussez le nouveau filtre jusqu'à la butée dans l'ouverture du filtre, puis faites-le pivoter de 90° dans le sens horaire.
  4. Redéplacez le couvercle du filtre en haut vers le droite, puis poussez-le jusqu'en butée.



## Utiliser l'appareil

### Allumer l'appareil


1. Appuyez sur la touche  **power**.  
L'appareil commence à se refroidir. L'alarme est déclenchée et le bouton **alarm off** clignote lorsque la température dans le compartiment congélateur est trop élevée.
2. Appuyez sur la touche **alarm off**.  
L'alarme sonore s'éteint.
3. Réglez la température souhaitée.  
→ "Réglage la température" à la page 54

### Remarques concernant le fonctionnement de l'appareil

- Une fois allumé, l'appareil pourrait prendre quelques heures à atteindre les températures réglées. Ne rangez pas de produits alimentaires tant que la température choisie n'est pas atteinte.
- Grâce au système NoFrost entièrement automatique, l'appareil ne se couvre pas de givre. Aucun dégivrage n'est nécessaire.
- L'appareil chauffe légèrement une partie de ses surfaces frontales. Cela prévient la condensation d'eau dans la zone du joint de porte.


### Arrêter et remiser l'appareil

#### Éteignez l'appareil

- Appuyez sur la touche  **power**.  
L'appareil ne réfrigère plus.


#### Éteindre l'appareil

Si l'appareil doit rester longtemps sans servir :

1. Coupez l'arrivée d'eau à l'appareil.
2. Sortez tous les produits alimentaires de l'appareil.
3. Appuyez sur la touche  **power**.  
L'appareil ne réfrigère plus.
4. Débranchez la fiche de contact de la prise de courant ou ramenez le disjoncteur en position éteinte.
5. Retirez le filtre à eau, puis videz et nettoyez le bac à glaçons.  
→ "Nettoyage" à la page 63
6. Laissez les portes et les tiroirs de l'appareil ouverts.

### Régler l'unité de température

Vous avez le choix entre les unités °C et °F :

1. Appuyez sur la touche **menu**.
2. Appuyez sur la touche **°C/°F**.
3. Appuyez sur la touche  Paramètres jusqu'à ce que l'affichage Paramètres indique **°C** ou **°F**.
4. Appuyez sur la touche **menu**.  
Le réglage est mémorisé.

### Régler la température

#### Température recommandée

Compartiment réfrigérateur : 3 °C (37 °F)  
Compartiment congélateur : -18 °C (0 °F)

#### Compartiment réfrigérateur

- Actionnez la touche  jusqu'à ce que la température souhaitée s'affiche.

#### Compartiment congélateur

- Actionner la touche  jusqu'à ce que la température souhaitée s'affiche.

### Super-réfrigération

Pendant la super-réfrigération, le compartiment réfrigérateur refroidit au maximum.


Enclenchez la super-réfrigération par ex. dans les cas suivants :

- avant de ranger de grandes quantités d'aliments.
- afin de réfrigérer rapidement des boissons.

**Remarque :** Si vous avez activé la super-réfrigération, l'appareil peut fonctionner plus bruyamment.

Au bout de 6 heures, l'appareil revient en service normal.

Allumer / Éteindre la super-réfrigération :

- Appuyez sur la touche  **super**.  
Le voyant de la touche est allumé si vous avez activé la super-réfrigération.

### Supercongélation

Le supercongélation abaisse la température dans le congélateur à son niveau le plus bas.


Activez la supercongélation par exemple :

- pour congeler des produits alimentaires à cœur rapidement
- Pour augmenter la production de cubes de glace

**Remarque :** Si vous avez activé la supercongélation, l'appareil peut fonctionner plus bruyamment.

Au bout d'environ 8 heures, l'appareil retourne à son mode d'opération normal.

Allumer / Éteindre la supercongélation :

- Appuyez sur la touche  **super**.  
Le voyant de la touche s'allume lorsque la supercongélation est activée.

## Mode économie d'énergie

Le mode Économie d'énergie permet de commuter en mode de fonctionnement économe en énergie.

L'appareil règle les températures automatiques suivantes :

- Compartiment réfrigération : 43 °F (6 °C)
- Compartiment congélateur : -14 °C (6 °F)

Activer ou désactiver le mode Économie d'énergie :

- Appuyez sur la touche **eco**.  
Les températures sont modifiées, l'écran indique les nouvelles températures. Lorsque le mode Économie d'énergie est activée, la température affichée en dernier est réglée.

## Mode Fraîcheur

Le mode Fraîcheur permet de conserver les produits alimentaires encore plus longtemps frais.

L'appareil règle automatiquement la température suivante :

- Compartiment réfrigération : 2 °C (36 °F)

La température dans le compartiment congélateur reste inchangée.

Activer ou désactiver le mode Fraîcheur :

- Appuyez sur la touche **fresh**.  
La température est modifiée, l'écran indique la nouvelle température. Lorsque le mode Fraîcheur est activée, la température affichée en dernier est réglée.

## Mode Vacances

En cas d'absence prolongée, vous pouvez mettre l'appareil en mode Vacances, économe en énergie.

L'appareil règle automatiquement la température suivante :

- Compartiment réfrigérateur : 6 °C (43 °F)

La température dans le compartiment congélateur reste inchangée.

Activer le mode Vacances :

- Appuyez sur la touche **vacation**.  
La température est modifiée, l'écran indique la nouvelle température.  
Videz le bac à glaçons pour des raisons d'hygiène.

Désactiver le mode Vacances :

- Appuyez sur la touche **vacation**.  
La température affichée en dernier est réglée.  
Pour des raisons d'hygiène, prélevez et jetez l'eau produite pendant 5 minutes.

## Mode Sabbat

En mode sabbat, toutes les fonctions non essentielles sont éteintes afin que vous puissiez utiliser l'appareil même le jour du Sabbat.

L'appareil éteint les composants suivants :

- Super-réfrigération et supercongélation
- Signaux sonores
- Éclairage intérieur
- Messages sur le panneau de commande
- Distributeur d'eau
- Distributeur de glaçons

**Remarque :** La luminosité du rétro-éclairage de l'écran est réduite lorsque le mode Sabbat est activé.

Activer le mode Sabbat :

- Maintenez la touche **vacation** enfoncée pendant 10 secondes jusqu'à ce qu'un signal acoustique retentisse.  
L'affichage **alarm** est allumé lorsque le mode Sabbat est activé.

Désactiver le mode Sabbat :

- Maintenez l'affichage **alarme** enfoncé pendant 5 secondes jusqu'à ce qu'un signal acoustique retentisse.

**Remarque :** Au bout d'environ 72 heures, l'appareil retourne à son mode d'opération normal.

## Régler l'éclairage

Vous pouvez régler la clarté de l'éclairage intérieur de **0** à **5** :

**Remarque :**

**0** = éclairage éteint

**1** = clarté minimum

**5** = clarté maximum

1. Appuyez sur la touche **menu**.
2. Appuyez sur la touche **light settings**.  
L'affichage Sous-menu indique **In**.
3. Appuyez sur la touche /  Paramètres jusqu'à ce que l'affichage Paramètres indique la clarté souhaitée.
4. Appuyez sur la touche **menu**.  
Le réglage est mémorisé.

## Alarme de changement de filtre

Lorsque l'alarme de changement de filtre est activée, le bouton **change filter** s'allume. L'alarme est conçue pour s'activer tous les 6 mois. Il est recommandé de changer le filtre à eau tous les 6 mois.

**Remarque :** Plus la consommation de glaçons et d'eau est élevée, plus l'alarme de changement de filtre se déclenchera rapidement.

Éteindre l'alarme de changement de filtre :

1. Remplacez le filtre à eau par un neuf ou par un filtre avec dérivation.  
→ "Filtre à eau" à la page 53
2. Maintenez la touche **change filter** enfoncée pendant 3 secondes.  
L'alarme de changement de filtre s'éteint; la touche **change filter** s'éteint. Le minuteur du filtre à eau est automatiquement réinitialisé.

Si vous remplacez le filtre à eau avant l'alarme de changement de filtre, il vous faudra réinitialiser manuellement le minuteur du filtre à eau.

**Remarque :**

- 1 = le minuteur du filtre à eau est en marche
  - 0 = réinitialiser le minuteur du filtre à eau
1. Appuyez sur la touche **menu**.
  2. Appuyez sur la touche **change filter**.
  3. Appuyez sur la touche  Paramètres jusqu'à ce que l'affichage Paramètres indique 0.
  4. Appuyez sur la touche **menu**.  
Le réglage est mémorisé.

## Activer ou désactiver le verrouillage des touches (sécurité enfants) de la distribution de glace et d'eau

Le verrouillage des touches protège le distributeur de glace et d'eau contre les manipulations involontaires :

**Remarque :** Si le verrouillage des touches est activé, la distribution de glace et d'eau est impossible. La fabrication de glace continue de produire des glaçons.

- Maintenez enfoncée la touche **lock** jusqu'à ce que toutes les barres lumineuses soient allumées.  
Le verrouillage des touches est activé et la barre lumineuse de la touche **lock** est allumée. Lors de la désactivation du verrouillage des touches, la barre lumineuse de la dernière touche utilisée est allumée.

## Éclairage du distributeur de glace et d'eau

**Remarque :** En l'absence de distribution d'eau ou de glace pendant une certaine période, l'éclairage du distributeur de glace et d'eau s'éteint.

Vous pouvez activer ou désactiver de façon permanente l'éclairage du distributeur de glace et d'eau :

- Appuyez sur la touche **light**.  
L'éclairage du distributeur de glace et d'eau est activé de façon permanente et la barre lumineuse de la touche **light** est allumée.

## Régler la quantité d'eau de remplissage de bouteilles

Vous pouvez ajuster la quantité d'eau de remplissage de bouteilles prédéfinie en usine :

**Remarque :** Le temps de remplissage maximal est de 60 secondes. Les barres lumineuses clignotent pendant cette opération.

1. Appuyez sur la touche **bottle fill**.
2. Disposez une cruche ou une bouteille sous la sortie de distribution d'eau.
3. Appuyez simultanément sur la touche **bottle fill** et sur la touche **crushed** et maintenez-les enfoncées jusqu'à ce que la quantité d'eau souhaitée ait été versée.  
La nouvelle quantité d'eau est désormais mise en mémoire. Chaque fois que vous appuyerez sur la touche **bottle fill**, cette même quantité d'eau sera distribuée.

## Activer ou désactiver la distribution de glace et d'eau et le distributeur de glaçons.

Si le distributeur de glace et d'eau et la fabrication de glace doivent rester longtemps sans servir :

- Maintenez enfoncées la touche **lock** et la touche **light** jusqu'à ce que toutes les barres lumineuses soient allumées.  
Le distributeur de glace et d'eau et la fabrication de glace sont désactivés. À l'allumage, la barre lumineuse de la dernière touche utilisée est allumée.



## Alarme

### Alarme de porte

Si la porte de l'appareil reste ouverte trop longtemps, l'alarme sonore se déclenche et la touche **alarm off** clignote.

Éteindre l'alarme de porte :

- Fermez la porte ou appuyez sur la touche **alarm off**.  
L'alarme sonore s'éteint, la touche **alarm off** ne clignote plus.

Pour activer ou désactiver l'alarme sonore de porte :

#### Remarque :

**On** = activer l'alarme sonore de porte

**OF** = désactiver l'alarme sonore de porte

1. Appuyez sur la touche **menu**.
2. Appuyez sur la touche **alarm off**.
3. Appuyez sur la touche  Paramètres jusqu'à ce que l'affichage Paramètres indique **On** ou **OF**.
4. Appuyez sur la touche **menu**.  
Le réglage est mémorisé.

### Alarme de température

Si la température monte trop dans le compartiment congélateur, une alarme sonore retentit et le voyant de la touche **alarm off** clignote.

#### ATTENTION

PENDANT LA DÉCONGÉLATION, DES BACTÉRIES PEUVENT APPARAÎTRE ET LES ALIMENTS CONGELÉS S'AVARIER.

Ne remettez pas à congeler des produits alimentaires partiellement ou entièrement décongelés.

Ne les recongelez qu'après avoir les avoir fait cuire ou rôti. N'utilisez plus la durée de conservation dans son intégralité.

**Remarque :** L'alarme de température peut s'enclencher dans les cas suivants, sans qu'il y ait de risque pour les aliments congelés :

- L'appareil est mis en route.
- Porte du compartiment congélateur restée ouverte trop longtemps.
- Rangement de grandes quantités de produits alimentaires frais.

Éteindre l'alarme de température :

1. Assurez-vous que la cause du déclenchement de l'alarme de température a été écartée.
2. Appuyez sur la touche **alarm off**.  
L'alarme sonore s'éteint et la température la plus élevée qui a régné dans le compartiment congélateur s'affiche brièvement sur l'affichage correspondant. Ensuite s'affiche à nouveau la température qui a été réglée. La température la plus élevée est de nouveau déterminée et enregistrée.

**Remarque :** La touche **alarm off** s'allume jusqu'à ce que la température réglée soit à nouveau atteinte.

## Home Connect

Cet appareil est compatible Wi-Fi et peut être commandé à distance par un dispositif mobile.

**Remarque :** Wi-Fi est une marque déposée de la société Wi-Fi Alliance.

L'appareil fonctionne comme un réfrigérateur et peut être manipulé manuellement à l'aide des éléments de commande :

- L'appareil n'est pas connecté à un réseau domestique.
- Le service Home Connect n'est pas disponible dans le pays où est installé l'appareil. Vous trouverez la liste des pays dans lesquels Home Connect est disponible sur [www.home-connect.com](http://www.home-connect.com).

**Remarque :** Respectez les consignes de sécurité figurant dans la présente notice d'utilisation. Assurez-vous qu'elles sont également respectées si vous utilisez l'appareil via l'application Home Connect alors que vous n'êtes pas à la maison.  
→ "*Consignes de sécurité importantes*" à la page 36

Observez également les consignes dans l'application Home Connect.

## Configurer Home Connect

### Remarques



- Observez la fiche Home Connect disponible sous <http://www.bosch-home.com> parmi les notices à télécharger. Pour ce faire, saisissez le numéro E de votre appareil dans le champ de recherche.
- Attendez au moins deux minutes après la mise en marche de l'appareil que l'initialisation interne de l'appareil soit achevée. Ne configurez Home Connect qu'après cette dernière.
- Afin de pouvoir procéder à des réglages via Home Connect, l'application Home Connect doit être installée sur votre terminal mobile. Pour ce faire, observez les documents Home Connect fournis.

Suivez les étapes prescrites par l'appli pour procéder aux réglages.

- Si l'appareil n'est pas utilisé pendant une durée prolongée, le menu Home Connect se ferme automatiquement. Vous trouverez les instructions pour ouvrir le menu Home Connect au début des chapitres correspondants.

### Connexion automatique au réseau domestique WLAN (Wi-Fi)

Si un routeur avec la fonction WPS est disponible, le réfrigérateur peut être connecté automatiquement au réseau domestique.



1. Appuyez sur la touche **menu**.  
La touche **connect** s'allume. L'affichage Sous-menu indique **Cn**.
2. Appuyez sur la touche  sous-menu jusqu'à ce que l'affichage du sous-menu indique **AC** et que l'affichage Paramètres indique **OF**.
3. Appuyez sur la touche  Paramètres.  
L'appareil est prêt pour la connexion automatique.  
L'affichage Paramètres montre une animation pendant 2 minutes.  
Pendant toute la durée de l'animation, l'appareil est prêt pour la connexion automatique.
4. Pendant ces 2 minutes, activez la fonction WPS du routeur du réseau domestique (p. ex. via la touche WPS. Pour plus d'informations, voir les documents du routeur).  
Si la connexion est établie avec succès, **On** clignote sur l'affichage Paramètres.  
L'appareil frigorifique est prêt pour une connexion à l'application.

**Remarque :** Si l'affichage Paramètres indique **OF**, aucune connexion ne peut être établie.

1. Vérifiez si le réfrigérateur se trouve dans la zone de portée du réseau domestique WLAN (Wi-Fi).
2. Répétez l'opération ou établissez une connexion manuelle.

### Connexion manuelle au réseau domestique WLAN (Wi-Fi)

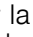
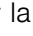
Si le routeur existant ne dispose d'aucune fonction WPS ou si celle-ci n'est pas connue, il est possible de connecter le réfrigérateur manuellement au réseau domestique WLAN (Wi-Fi).

1. Appuyez sur la touche **menu**.  
La touche **connect** s'allume. L'affichage Sous-menu indique **Cn**.
2. Appuyez sur la touche  sous-menu jusqu'à ce que l'affichage du sous-menu indique **SA** et que l'affichage Paramètres indique **OF**.
3. Appuyez sur la touche  Paramètres.  
L'appareil est prêt pour la connexion manuelle.  
L'affichage Paramètres montre une animation.  
Pendant toute la durée de l'animation, l'appareil est prêt pour la connexion manuelle.
4. Le réfrigérateur possède désormais son propre réseau WLAN (Wi-Fi) portant le nom HomeConnect.  
Vous pouvez maintenant accéder à ce réseau avec le terminal mobile.
5. Suivez les instructions de l'application jusqu'à la fin de l'opération.
  - Si la connexion est établie avec succès, **On** clignote sur l'affichage Paramètres.  
L'appareil se connecte automatiquement à l'application.
  - Si l'affichage Paramètres indique **OF**, aucune connexion ne peut être établie.  
Vérifiez si le réfrigérateur se trouve dans la zone de portée du réseau domestique WLAN (Wi-Fi).  
Répétez l'opération.

### Connecter le réfrigérateur à l'application Home Connect

Lors de la première configuration, l'appareil se connecte automatiquement à l'application après l'établissement d'une connexion avec le réseau domestique WLAN (Wi-Fi).

Si l'appareil n'est pas connecté automatiquement à l'application, connectez l'appareil manuellement :

1. Appuyez sur la touche **menu**.  
La touche **connect** s'allume. L'affichage Sous-menu indique **Cn**.
2. Appuyez sur la touche  sous-menu jusqu'à ce que l'affichage du sous-menu indique **PA** et que l'affichage Paramètres indique **OF**.
3. Appuyez sur la touche  Paramètres pour brancher l'appareil à l'application.  
L'affichage Paramètres montre une animation.  
Dès que le réfrigérateur et l'application sont connectés, l'affichage Paramètres indique **On**.
4. Ouvrez l'application et attendez que le réfrigérateur s'affiche.  
Confirmez la connexion entre l'application et le réfrigérateur en appuyant sur **Ajouter**.  
Si le réfrigérateur ne s'affiche pas automatiquement, cliquez dans l'application sur **Ajouter l'appareil** et suivez les instructions. Dès que votre réfrigérateur s'affiche, ajoutez-le avec **+**.

- Suivez les instructions de l'application jusqu'à la fin de l'opération.

L'affichage Sous-menu indique **PA** et l'affichage Paramètres indique **On**.

Le réfrigérateur a été connecté à l'application avec succès.

Si la connexion a échoué, vérifiez si le terminal mobile est connecté au réseau domestique WLAN (Wi-Fi).


Répétez ensuite la procédure de connexion.

Si **Er** apparaît sur l'affichage Paramètres, réinitialisez les réglages Home Connect.

**Remarque :** Lors de la réinitialisation, tous les réglages Home Connect sont réinitialisés.

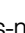

### Contrôler l'intensité du signal

L'intensité du signal doit être contrôlée s'il n'est pas possible d'établir de connexion.

- Appuyez sur la touche **menu**.  
La touche **connect** s'allume. L'affichage Sous-menu indique **Cn**.
- Appuyez sur la touche  sous-menu jusqu'à ce que l'affichage du sous-menu indique **SI**.  
L'affichage Paramètres indique une valeur entre 0 (absence de réception) et 3 (réception maximale).  
Le signal doit avoir une intensité minimale de 2.  
La connexion peut être coupée si l'intensité du signal est trop faible.
  - Rapprochez davantage le routeur et l'appareil frigorifique.
  - Assurez-vous que la connexion n'est pas perturbée par des murs qui font écran.
  - Ou installez un répéteur pour amplifier le signal.

### Réinitialiser les réglages Home Connect

Si un problème se présente lors de la tentative d'établissement d'une connexion ou si vous souhaitez inscrire l'appareil dans un autre réseau domestique WLAN (Wi-Fi), les réglages Home Connect peuvent être réinitialisés :

- Appuyez sur la touche **menu**.  
La touche **connect** s'allume. L'affichage Sous-menu indique **Cn**.
- Appuyez sur la touche  sous-menu jusqu'à ce que l'affichage du sous-menu indique **rE** et que l'affichage Paramètres indique **OF**.
- Appuyez sur la touche  Paramètres.  
L'affichage Paramètres montre une animation pendant 15 secondes.  
L'affichage Paramètres indique ensuite **OF**.  
Les réglages de Home Connect sont réinitialisés.

### Installer une mise à jour du logiciel Home Connect

Le réfrigérateur vérifie régulièrement si des mises à jour du logiciel Home Connect sont disponibles.

Si une mise à jour est disponible, l'affichage sous-menu indique **UP** :

- Confirmez la mise à jour dans l'application Home Connect.  
N'éteignez pas le réfrigérateur pendant la mise à jour.  
L'affichage Paramètres montre une animation. La mise à jour est en cours d'installation.

**Remarque :** Pendant l'installation, toutes les touches sont verrouillées.

- Si l'installation s'est déroulée correctement, l'affichage Paramètres indique **On**.
- Si l'installation est un échec, l'affichage Paramètres indique **Er**.  
Lancez la mise à jour ultérieurement.  
Si l'installation est impossible, même après plusieurs tentatives, contactez le service après-vente.

Appuyez sur n'importe quelle touche pour réinitialiser l'affichage sur la température réglée.

### Remarque sur la protection des données

Lors de la première connexion de votre appareil Home Connect à un réseau domestique WLAN (Wi-Fi) branché à Internet, votre appareil transmet les catégories de données suivantes au serveur Home Connect (premier enregistrement) :

- Code d'appareil univoque (constitué de clés d'appareil ainsi que de l'adresse MAC du module de communication Wi-Fi intégré).
- Le certificat de sécurité du module de communication Wi-Fi (pour la protection informatique de la connexion).
- La version actuelle du logiciel et du matériel de l'appareil ménager.
- L'état d'une précédente réinitialisation éventuelle des réglages d'usine.

Ce premier enregistrement prépare l'utilisation des fonctionnalités Home Connect et ne s'avère nécessaire qu'au moment où vous voulez utiliser les fonctions Home Connect pour la première fois.

**Remarque :** Veuillez noter que les fonctionnalités Home Connect ne sont utilisables qu'avec l'application Home Connect. Vous pouvez consulter les informations sur la protection des données dans l'application Home Connect.

### Diagnostic à distance

Le service à la clientèle peut accéder à votre appareil via le diagnostic à distance, si vous contactez le service clientèle en en faisant la demande spécifique, si votre appareil est connecté au serveur Home Connect et si le diagnostic à distance est disponible dans le pays où vous utilisez l'appareil.

**Remarque :** Pour plus d'informations et pour connaître la disponibilité du service de diagnostic à distance dans votre pays, veuillez consulter la section Aide et assistance du site Web local : [www.home-connect.com](http://www.home-connect.com)

## Compartiment réfrigérateur

Le compartiment réfrigérateur convient pour conserver la viande, la charcuterie, le poisson, les produits laitiers, les œufs, les plats précuisinés et les pâtisseries.

La température peut être réglée sur une plage allant de 1 °C (33 °F) à 6 °C (43 °F).

Grâce au stockage au froid, vous pouvez aussi ranger des denrées très périssables à court et moyen terme. Une température de 39 °F (4 °C) ou moins garantit la fraîcheur et la propreté optimales des produits alimentaires stockés.

### Bac à légumes

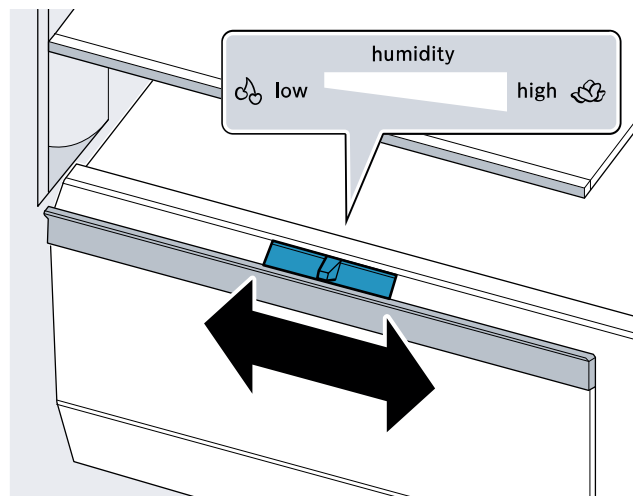
Le bac à légumes est l'endroit optimal où ranger les fruits et légumes frais. Le régulateur d'humidité de la cloison et un joint spécial vous permettent d'ajuster l'humidité de l'air dans le bac à légumes.

Vous pouvez ajuster l'humidité de l'air régnant dans le bac à légumes en fonction de la nature et de la quantité des produits à ranger :

- Fruits principalement ou bac très rempli : réglez une humidité de l'air moins élevée
- Légumes principalement ou bac rempli de produits différents ou faiblement rempli : réglez une humidité de l'air plus élevée

### Remarques

- Pour préserver leur qualité et leur arôme, il est recommandé de ranger les fruits (par exemple les ananas, bananes, papayes, agrumes) et légumes (par exemple les aubergines, concombres, courgettes, poivrons, tomates et pommes de terre) qui craignent le froid hors de l'appareil à des températures comprises entre environ 46 °F ... 54 °F (8 °C ... +12 °C).
- Selon la quantité et la nature des produits stockés, de l'eau pourrait se condenser dans le bac à légumes. Retirez l'eau condensée avec un essuie-tout sec et ajustez l'humidité de l'air dans le bac à légumes via le régulateur d'humidité.



### Bac de rangement à froid

Les températures régnant dans le bac de rangement à froid sont plus basses que dans le compartiment réfrigérateur. Des températures inférieures à 32 °F (0 °C) peuvent se manifester.

Idéal pour ranger le poisson, la viande et la charcuterie. Ne convient pas pour les salades, les légumes et les produits alimentaires qui craignent le froid.

### Consignes de rangement

- Rangez les produits alimentaires frais et intacts. Ils conserveront ainsi plus longtemps leur qualité et leur fraîcheur.
- Respectez la date de conservation minimum ou la date de consommation indiquée par le fabricant pour les produits tout prêts et liquides conditionnés.
- Pour préserver l'arôme, la teinte et la fraîcheur, rangez les produits alimentaires bien emballés ou couverts. Ceci empêche en outre que certains aliments ne communiquent leur goût à d'autres et que les pièces en plastique changent anormalement de couleur.
- Attendez que les produits alimentaires chauds et les boissons aient refroidi avant de les mettre dans le compartiment réfrigérateur.

## Compartiment congélateur

Le compartiment congélateur sert à :

- stocker des produits surgelés
- la préparation de glaçons
- congeler des produits alimentaires

La température peut être réglée sur une plage allant de -14 °C (6 °F) à -7 °C (-22 °F).

La congélation vous permet de stocker longtemps les denrées périssables sans pertes notables de qualité vu que les basses températures ralentissent fortement la détérioration ou la stoppent. L'aspect, l'arôme et l'ensemble des ingrédients demeurent préservés dans leur très large majorité.

Le temps nécessaire à ce que les produits frais rangés au congélateur congèlent à cœur dépend des facteurs suivants :

- Température réglée
- Nature du produit alimentaire
- Degré de remplissage du compartiment congélateur
- Quantité et type de stockage

## Distribution de glaçons et d'eau

Le distributeur de glaçons et d'eau vous permet d'obtenir :

- de l'eau froide
- de la glace pilée
- des glaçons

Pour optimiser la production de glaçons (jusqu'à 5,4 kg (12 lb) en 24 heures) :

- L'appareil doit être installé conformément aux instructions de montage.
- Le compartiment congélateur doit être réglée à la température la plus basse.
- Le bac à glaçons doit être vidé à toutes les 3 heures.

Les résultats peuvent varier selon les conditions d'opération, p. ex. :

- Ouvertures de porte
- Chargement de produits alimentaires
- Température et humidité ambiantes
- Pression de l'eau et état du filtre à eau

## Avant la première utilisation

### ATTENTION

Afin de prévenir les dégâts d'eau sur votre plancher ou dans l'appareil, ne faites jamais couler l'eau en l'absence d'un verre pour la prélever.

**Remarque :** La distribution de glaçons et d'eau ne fonctionne que si l'appareil a été raccordé à une source d'eau potable et qu'un filtre a été installé.

- Le circuit d'eau d'un appareil nouvellement branché, ou pourvu d'un filtre à eau neuf, contient de l'air. Faites couler l'eau jusqu'à ce qu'elle ne contienne plus de bulles d'eau. Essuyez les éclaboussures avec un chiffon doux.
- Pour des raisons d'hygiène, faites couler l'eau pendant 5 minutes et jetez-la, puis jetez tous les glaçons produits durant les premières 24 heures.

### Surveiller la qualité de l'eau potable

Tous les matériaux utilisés dans le distributeur de glaçons et d'eau sont inodores et sans saveur.

Un éventuel arrière-goût dans l'eau pourrait être causé par les facteurs suivants :

- Teneur en minéraux et en chlore de l'eau potable
- Matériau de la conduite d'eau
- Fraîcheur de l'eau potable

**Remarque :** Si vous n'avez pas pris d'eau depuis longtemps, elle pourrait goûter l'eau stagnante. Faire couler l'eau pendant 5 minutes et la jeter aussitôt.

Vous obtiendrez une meilleure qualité d'eau si vous en prenez régulièrement.

### Informations sur le fonctionnement du distributeur de glace et d'eau

- Si la porte de l'appareil est ouverte, le distributeur de glace et d'eau s'arrête et les touches sont verrouillées.
- Le distributeur d'eau et de glace s'arrête automatiquement au bout d'un certain temps de distribution ininterrompue afin d'empêcher l'eau de couler de façon prolongée et involontaire. Attendez quelques secondes avant de relancer la distribution de glace ou d'eau.
- Le distributeur de glace et d'eau s'arrête automatiquement après un certain nombre de distributions consécutives. Attendez quelques minutes avant de relancer la distribution de glace ou d'eau.
- Pour empêcher la glace de tomber au sol, tenez votre verre directement sous l'orifice de distribution de glace lorsque vous prélevez de la glace pilée.
- Si vous passez de la touche **crushed** à la touche **cubed**, un peu de glace pilée pourrait sortir lors de la distribution.

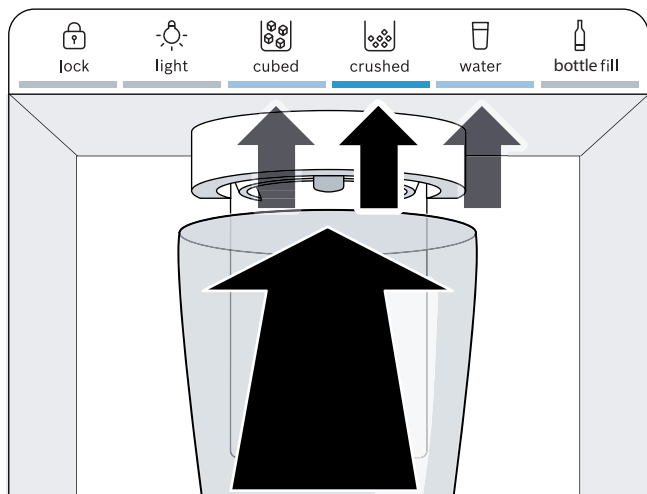
## fr-ca Dégivrer l'appareil

- L'eau distribuée est refroidie à une température agréable en bouche. Pour obtenir de l'eau plus froide encore, ajoutez quelques glaçons au verre.
- Lorsque l'eau coule abondamment, elle peut devenir un peu moins froide.
- Si les glaçons goûtent mauvais, jetez les glaçons restants ainsi que ceux produits durant les 24 prochaines heures. Si les glaçons goûtent toujours mauvais, changez le filtre à eau.
- Vérifiez régulièrement si la cuvette d'égouttage contient des gouttes d'eau et nettoyez-la au besoin.  
→ "Nettoyage" à la page 63

## Distribuer des glaçons ou de l'eau

**Remarque :** Tenez toujours le verre directement sous l'orifice de distribution.

1. Appuyez sur la touche **cubed**, la touche **crushed** ou la touche **water**.
2. Avec un verre, appuyez sur le levier de distribution jusqu'à ce que la quantité d'eau ou de glaçons souhaitée ait été versée.



## Option de remplissage de bouteille

Vous pouvez verser une quantité d'eau prédéfinie avec l'option de remplissage de bouteille :

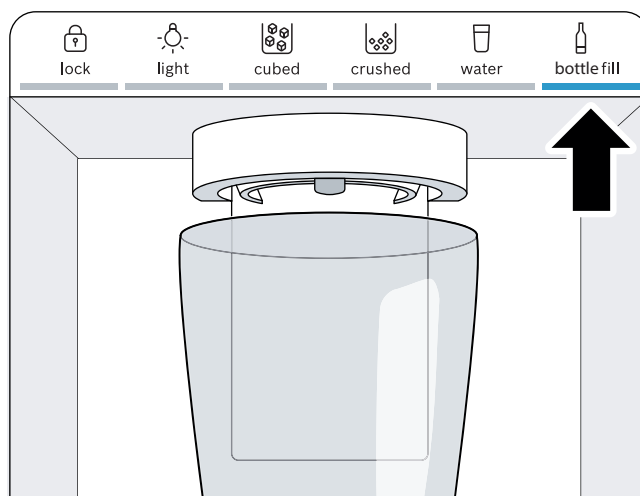
**Remarque :** La quantité d'eau prédéfinie en usine est d'environ 0,5 l (17 fl oz).

→ "Régler la quantité d'eau de remplissage de bouteilles" à la page 56

1. Appuyez sur la touche **bottle fill**.
2. Disposez une cruche ou une bouteille sous l'orifice de distribution d'eau.
3. Appuyez sur la touche **bottle fill**.  
Le remplissage de la bouteille commence.

### Remarques

- Appuyez sur une touche de votre choix du distributeur de glaçons et d'eau pour interrompre la distribution.
- Pour reprendre le remplissage d'une bouteille, appuyez sur la touche **bottle fill**.
- En l'absence de remplissage de bouteille pendant une longue période, la distribution passe sur la touche **water**.



## Dégivrer l'appareil

Grâce au système NoFrost entièrement automatique, l'appareil ne se couvre pas de givre. Aucun dégivrage n'est nécessaire.

## Nettoyage

### ATTENTION

ÉVITEZ D'ENDOMMAGER L'APPAREIL ET SES PIÈCES D'ÉQUIPEMENT.

- N'utilisez aucun produit de nettoyage ni aucun solvant contenant du sable, du chlorure ou de l'acide.
- N'utilisez jamais d'éponges abrasives ou susceptibles de rayer. De la corrosion peut apparaître sur les surfaces métalliques.
- Ne nettoyez jamais les clayettes et les bacs au lave-vaisselle. Ces pièces pourraient se déformer!


### ATTENTION

ÉVITEZ D'ENDOMMAGER L'APPAREIL.

- Ne pas utiliser de nettoyant à inox sur l'extérieur de l'appareil.
- Testez tous les nettoyants ou solvants sur une petite surface avant de les utiliser sur toute la surface de l'appareil.

## Nettoyer le compartiment intérieur de l'appareil

Procédez comme suit :

1. Appuyez sur la touche  **power**.
2. Débranchez la fiche de contact de la prise de courant ou ramenez le disjoncteur en position éteinte.
3. Sortez les aliments et rangez-les au frais. Si applicable : déposez l'accumulateur de froid sur les produits alimentaires.
4. Ne nettoyez l'appareil qu'avec un chiffon doux, de l'eau tiède et du produit à vaisselle avec un pH neutre.

### ATTENTION

L'eau de nettoyage ne doit pas pénétrer dans l'éclairage.

5. Essuyez le joint de porte avec de l'eau claire et frottez soigneusement pour le sécher.
6. Raccordez à nouveau l'appareil, mettez-le sous tension et rangez les produits alimentaires.

## Nettoyer l'équipement

Pour le nettoyage, retirez les pièces mobiles de l'appareil.

→ "Équipement" à la page 50

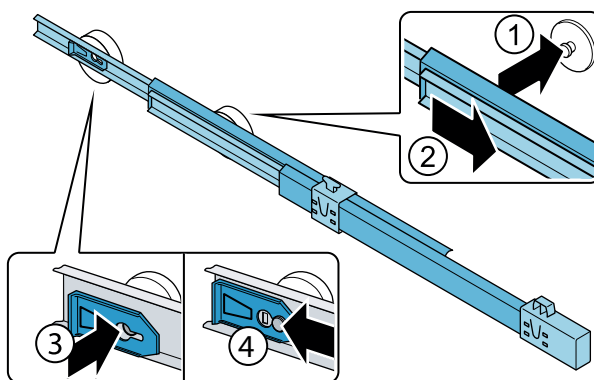
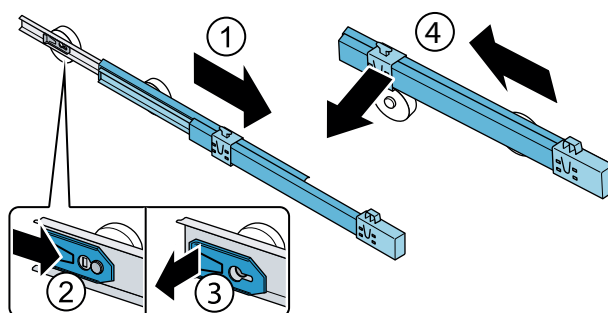
## Rails de sortie

### Démontez les rails de sortie

1. Extrayez les rails de sortie.
2. Poussez le dispositif de verrouillage dans le sens de la flèche.
3. Détachez le rail de sortie du goujon arrière.
4. Rabattez le rail de sortie sur lui-même au dessus du goujon arrière puis décrantez-le.

### Monter les rails de sortie

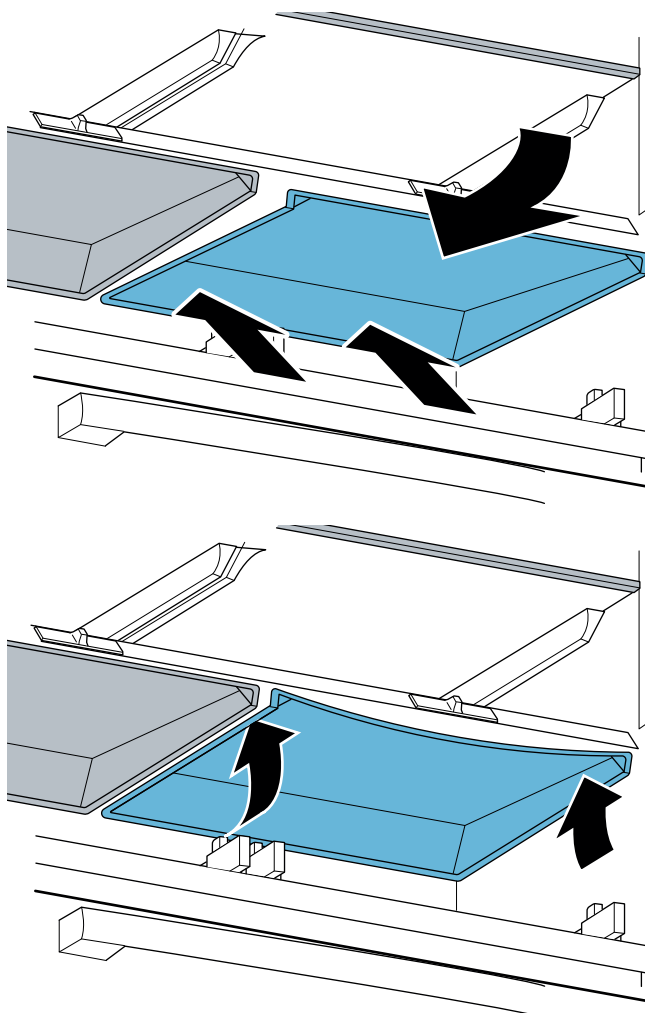
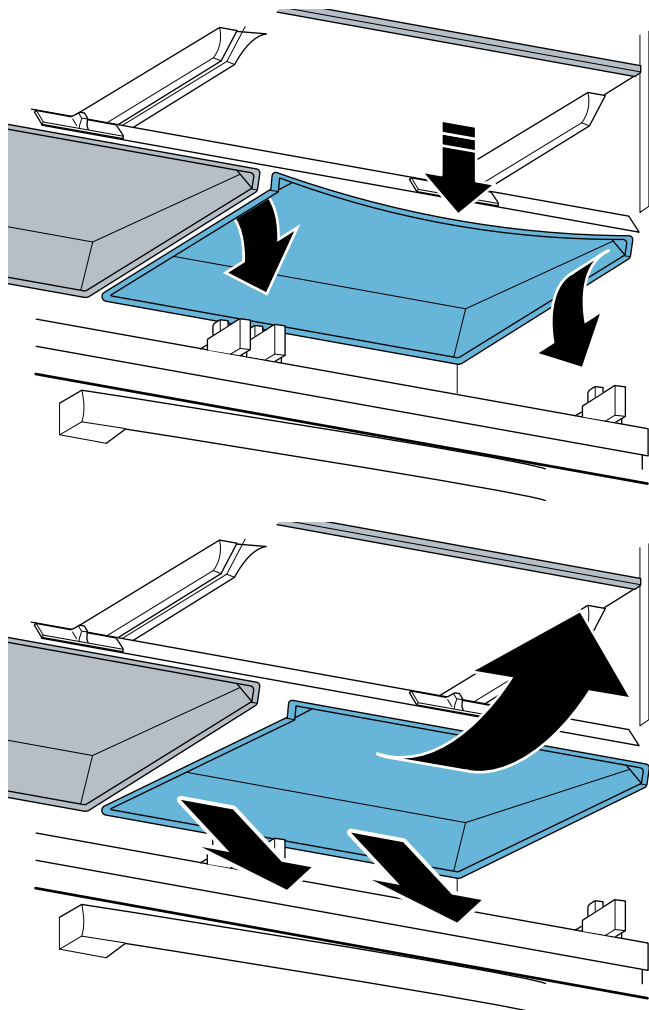
1. Posez le rail de sortie déployé sur le goujon avant.
2. Tirez légèrement le rail de sortie en avant pour le faire enclencher.
3. Mettez le rail de sortie en place contre le goujon arrière.
4. Poussez le dispositif de verrouillage vers l'arrière.



## Couvercle du bac à légumes

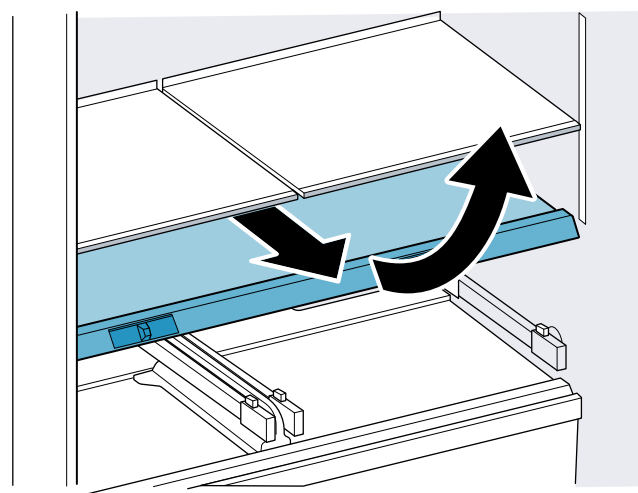
### Démonter le couvercle

1. Extrayez le bac à légumes.
2. Faites courber légèrement le milieu du couvercle vers le bas, puis décrochez-le à l'avant d'un côté.
3. Décrochez l'autre côté du couvercle à l'avant.
4. Décrochez le couvercle à l'arrière, puis retirez-le.



### Clayette au dessus du bac à légumes

1. Extrayez le bac à légumes jusqu'en butée.
2. Soulevez la clayette à l'avant et retirez-la.



### Monter le couvercle :

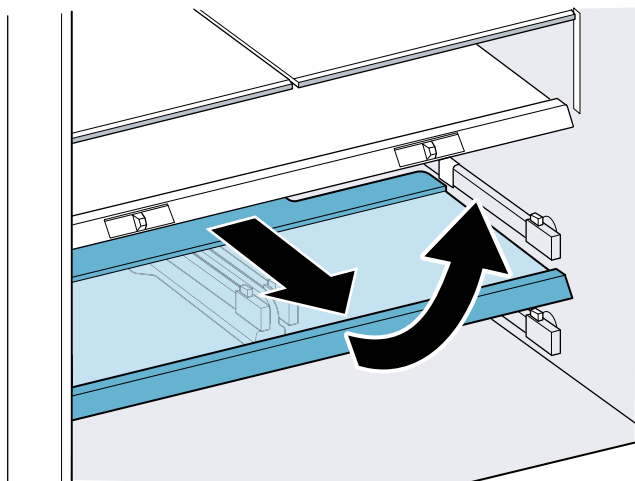
1. Accrochez le couvercle à l'arrière.
2. Accrochez le couvercle d'un côté à l'avant.
3. Faites courber légèrement le milieu du couvercle vers le bas, puis accrochez-le à l'avant de l'autre côté.

**Remarque :** Si le couvercle est toujours courbé, déplacez le régulateur d'humidité pour que le couvercle s'enclenche.



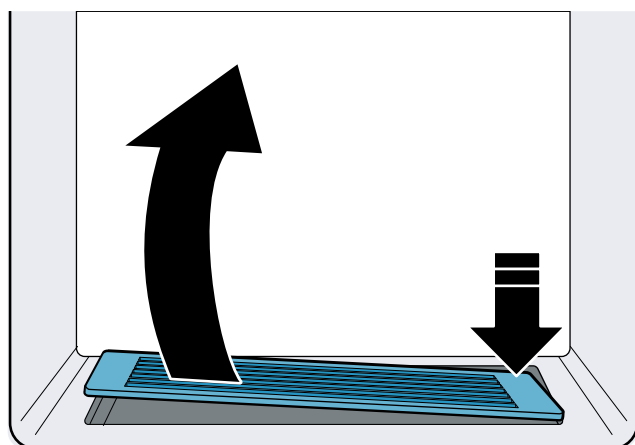
### Clayette au-dessus du bac de rangement à froid

1. Tirez le bac de rangement à froid jusqu'en butée.
2. Soulevez la clayette à l'avant et retirez-la.



### Bac d'égouttage

1. Poussez la grille de l'égouttoir du coin supérieur droit vers le bas, puis retirez-la.
2. Essuyez les gouttes avec un chiffon doux et nettoyez la cuvette d'égouttage avec de l'eau tiède.
3. Remplacez la grille de l'égouttoir.



5. Remettez l'appareil en marche.
6. Remplissez l'appareil de nouveau.
7. Au bout de 24 heures, vérifiez si les odeurs persistent.

## Éclairage

Votre appareil est équipé d'un éclairage par LED ne demandant pas d'entretien.

Seul le service à la clientèle ou des spécialistes agréés sont autorisés à réparer l'éclairage.

## Bruits

### Bruits normaux

**Bourdonnement** : Un moteur tourne, par exemple le groupe frigorifique, un ventilateur ou un robinet d'eau activé.

**Gargouillis, ronflement ou clapotis** : Le fluide frigorigène circule dans les tuyaux.

**Cliquetis** : Le moteur, les interrupteurs, les électrovannes ou le robinet d'eau s'ouvrent/se ferment.

**Craquement** : Le dégivrage automatique est en cours.

**Vrombissement** : Les glaçons solidifiés chutent du distributeur dans le bac.

### Prévenir les bruits

**L'appareil ne repose pas d'aplomb** : ajustez l'appareil.

→ "Ajuster l'appareil" à la page 41

**L'appareil « touche à quelque chose »** : assurez-vous que l'appareil ne touche à aucune autre surface et que les écarts minimaux sont respectés.

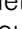
→ "Interstices minimum" à la page 40

**Des récipients, clayettes ou rangements vacillent ou se coincent** : Vérifiez les pièces d'équipement amovibles et remplacez-les au besoin.

**Des bouteilles ou récipients se touchent** : éloignez les bouteilles ou récipients les uns des autres.

## Odeurs

Si des odeurs désagréables se manifestent :

1. Mettre l'appareil hors tension à l'aide du bouton  power.
2. Sortez tous les produits alimentaires de l'appareil et jetez les produits gâtés ou renversés.
3. Nettoyez le compartiment intérieur. → "Nettoyage" à la page 63
4. Emballez sous emballages hermétiques les produits alimentaires dégageant de fortes odeurs.

## Dépannage, que faire ?

Avant de téléphoner au service client, consultez le tableau de dépannage suivant.

### Appareil

#### L'appareil refroidit excessivement ou les produits alimentaires sont trop froids.

La température réglée est trop faible.	Relevez la température.
--	-------------------------

#### L'appareil ne réfrigère pas ou des produits alimentaires sont trop chauds.

La porte ou le tiroir ne se ferment pas correctement.	Assurez-vous que l'appareil repose d'aplomb. → "Ajuster l'appareil" à la page 41 Assurez-vous que la porte ou le tiroir ne sont pas bloqués par des produits alimentaires ou pièce de meuble. Assurez-vous que les joints de porte ne sont pas endommagés.
La température réglée est trop élevée.	Réduisez légèrement la température.
Les trous d'aération sont bloqués.	Retirez tous les produits alimentaires qui bloquent les trous d'aération.
La porte ou le tiroir ont été ouverts fréquemment ou le sont demeurés longtemps	Patiencez au moins 2 heures pour que la température du compartiment redescende.
L'appareil est en mode économie d'énergie ou vacances.	Vérifiez si l'appareil est en mode économie d'énergie ou vacances.
Une grosse quantité de produits alimentaires frais vient d'être rangée.	Patiencez au moins 2 heures pour que la température du compartiment redescende.
L'appareil se trouve sur le mode Exposition.	Si l'éclairage intérieur et les éléments de commande l'appareil sont allumés sans qu'un message d'erreur ne soit affiché, l'appareil est peut-être en mode Exposition. Lancez l'autodiagnostic de l'appareil. → "Autodiagnostic de l'appareil" à la page 68 Patiencez au moins 2 heures pour que la température du compartiment redescende. Si l'appareil ne se refroidit toujours pas, contactez le service client. → "Service à la clientèle" à la page 68

#### Aucun voyant ne s'allume.

Fiche mâle incorrectement branchée dans la prise de courant.	Vérifiez si les deux extrémités de la fiche mâle sont correctement enfichées à l'arrière de l'appareil et dans la prise.
Fusible déclenché.	Contrôlez la boîte à fusibles.
Le courant est en panne.	Vérifiez si la prise a du courant.

#### L'écran indique E....

Le système électronique a détecté une erreur.	Éteindre l'appareil, débrancher sa fiche mâle ou éteindre le disjoncteur. Si l'erreur persiste malgré un rebranchement de l'appareil, contactez le service client. → "Service à la clientèle" à la page 68
---	---

#### La touche alarm off clignote et une alarme sonore retentit.

	Appuyez sur la touche <b>alarm off</b> . L'alarme est éteinte.
Porte ou tiroir entrouverts.	Fermez la porte ou le tiroir. Assurez-vous que la porte ou le tiroir ne sont pas bloqués par des produits alimentaires ou pièce de meuble.
La température est trop élevée dans les compartiments.	Des trous d'aération à l'arrière des compartiments congélateur et réfrigérateur sont bloqués. Retirez tous les produits alimentaires qui bloquent les trous d'aération.  Si le compartiment vient d'être rempli de produits alimentaires frais, patiencez au moins 2 heures pour que la température du compartiment redescende.

## Distribution de glaçons et d'eau

<b>La distribution de glaçons et d'eau ne fonctionne pas.</b>	
La distribution de glaçons et d'eau est désactivée.	Activer la distribution de glaçons et d'eau. → "Activer ou désactiver la distribution de glace et d'eau et le distributeur de glaçons." à la page 56
La distribution de glaçons et d'eau est bloquée.	Débloquer la distribution de glaçons et d'eau. → "Activer ou désactiver le verrouillage des touches (sécurité enfants) de la distribution de glace et d'eau" à la page 56
Porte ou tiroir entrouverts.	Fermer la porte ou le tiroir. Assurez-vous que la porte ou le tiroir ne sont pas bloqués par des produits alimentaires ou pièce de meuble.
Les glaçons peuvent s'agglutiner et bloquer le distributeur ou l'orifice de distribution du bac.	<ol style="list-style-type: none"> <li>1. Ouvrez la porte. Vérifiez de l'intérieur si le canal de glace est bloqué par des glaçons.</li> <li>2. Prudemment et avec une cuillère de bois, éliminez les glaçons dans le canal de glace.</li> </ol>
Il y a production et distribution de glaçons, mais pas d'eau.	Assurez-vous que l'alimentation en eau est ouverte. Éteindre l'appareil, débrancher sa fiche mâle ou éteindre le disjoncteur. Si l'erreur persiste malgré un rebranchement de l'appareil, contactez le service à la clientèle. → "Service à la clientèle" à la page 68
Pas d'alimentation en eau.	Contrôlez le raccordement à l'eau en vous assurant que l'alimentation en eau est ouverte et contactez au besoin un installateur.
La pression de l'eau est basse.	Raccorder l'appareil uniquement à une ligne pourvue d'une pression d'eau suffisante. → "Raccordement de l'eau" à la page 47  Si un système de filtration d'eau externe est raccordé au raccordement à l'eau et l'appareil, installez un filtre avec dérivation. Pour un filtre avec dérivation, adressez-vous à notre service à la clientèle ou consultez notre site Web. → "Filtre à eau" à la page 53  Le filtre à eau est bloqué ou doit être remplacé.
Le tube d'entrée est plié.	Coupez l'arrivée d'eau, redressez le tube. Remplacez le tube au besoin.
De l'eau s'égoutte du distributeur.	De l'air peut se coincer dans le système d'eau. Pour éliminer l'air bloqué, faire couler l'eau pendant 5 minutes et la jeter aussitôt. Répétez cette étape si de l'eau continue de s'égoutter.  Il est normal que s'égoutte un peu d'eau après un prélèvement. Afin d'atténuer le problème, retirez lentement le verre du distributeur.  La glace résiduelle dans dans le canal de distribution fond. Assurez-vous que le compartiment de glace est exempt d'éclats ou de morceaux de glace.
La distribution de glaçons et d'eau est en panne.	Éteindre l'appareil, débrancher sa fiche mâle ou éteindre le disjoncteur. Si l'erreur persiste malgré un rebranchement de l'appareil, contactez le service à la clientèle. → "Service à la clientèle" à la page 68
<b>Les glaçons sont produits en quantité insuffisante.</b>	
L'appareil vient d'être branché.	Cela peut prendre plusieurs heures avant que la production de glaçons ne soit terminée. → "Distributeur de glaçons" à la page 52
Une grande quantité de glaçons a été prélevée récemment.	Le bac à glaçons peut prendre quelques heures avant de se remplir de nouveau.
La pression de l'eau est basse.	Raccorder l'appareil uniquement à une ligne pourvue d'une pression d'eau suffisante. → "Raccordement de l'eau" à la page 47
La porte ou le tiroir ont été ouverts fréquemment ou le sont demeurés longtemps	Patientez au moins 2 heures pour que la température du compartiment redescende.

Aucune production de glaçons	
La distribution de glaçons et d'eau est désactivée.	Activer la distribution de glaçons et d'eau. → "Activer ou désactiver la distribution de glace et d'eau et le distributeur de glaçons." à la page 56
Le bac à glaçons est entrouvert.	Vérifiez si le bac à glaçons est correctement monté. → "Bac à glaçons" à la page 52
Pas d'alimentation en eau	Contrôlez le raccordement à l'eau en vous assurant que l'alimentation en eau est ouverte et contactez au besoin un installateur. Éteindre l'appareil puis le rallumer. Après 2 heures, contrôler la production de glaçons.
	Éteindre l'appareil, débrancher sa fiche mâle ou éteindre le disjoncteur. Si l'erreur persiste malgré un rebranchement de l'appareil, contactez le service à la clientèle. → "Service à la clientèle" à la page 68
De l'eau s'écoule de l'appareil.	
Raccordement à l'alimentation en eau non étanche.	Assurez-vous que les raccords sont bien serrés et que le boyau d'eau est en bonne condition. Remplacez le tube au besoin.
Nouveau filtre installé.	De l'eau s'écoule du filtre lorsqu'il est remplacé. Essuyez les gouttes avec un chiffon doux. → "Filtre à eau" à la page 53
La cuvette d'égouttage du distributeur déborde.	Vérifiez régulièrement si la cuvette d'égouttage contient des gouttes d'eau et nettoyez-la au besoin. → "Nettoyage" à la page 63
Toute autre cause.	Appelez le service client. → "Service à la clientèle" à la page 68



## Service à la clientèle

Avant d'appeler le service à la clientèle, veuillez vérifier que vous ne pouvez pas remédier vous-même au problème.

Si le problème persiste, veuillez vous adresser à notre service à la clientèle. Nous trouverons toujours une solution appropriée.

US	1-800-944-2904	gratuit
CA	1-800-944-2904	

Lors de l'appel, veuillez indiquer le numéro de série (E-Nr.) et le numéro de fabrication (FD) que vous trouverez sur la plaque signalétique.

→ "Présentation de l'appareil" à la page 48

## Autodiagnostic de l'appareil

Votre appareil comprend un programme d'autodiagnostic affichant les défauts que votre service à la clientèle peut corriger.






1. Appuyez sur la touche **Ⓞ power**.
2. Débranchez la fiche de contact de la prise de courant et patientez 5 minutes.
3. Remettez l'appareil en marche.
4. Au cours des 2 premières minutes, maintenez le bouton **menu** enfoncé pendant 10 secondes jusqu'à ce qu'un signal sonore retentisse. L'autodiagnostic commence. Pendant l'autodiagnostic, un long signal sonore retentit.
  - Si 2 signaux sonores retentissent à la fin de l'autodiagnostic et si la température réglée s'affiche : votre appareil fonctionne parfaitement.
  - Si 5 signaux sonores retentissent à la fin de l'autodiagnostic et si l'affichage Paramètres indique **Er** : prévenez le service à la clientèle.

Une fois le programme exécuté, l'appareil se remet en service normal.

## Déclaration de garantie

Consultez la déclaration ci-jointe sur la garantie de produit limitée pour de plus amples renseignements sur la garantie.

# es Índice

 <b>Indicaciones de seguridad importantes . . .</b>	<b>70</b>		
Definiciones . . . . .	70		
Acerca de este manual . . . . .	70		
Introducción . . . . .	70		
Limitación del grupo de usuarios . . . . .	70		
Peligro de explosión . . . . .	70		
Riesgo de descarga eléctrica . . . . .	71		
Peligro de quemaduras por frío . . . . .	71		
Peligro de lesiones . . . . .	71		
Peligro de incendio/peligro a causa de líquido refrigerante . . . . .	71		
Riesgo de incendio . . . . .	71		
Riesgo de asfixia . . . . .	72		
Daños materiales . . . . .	72		
Peso . . . . .	72		
Advertencias en virtud de la Proposición 65 del estado de California . . . . .	72		
 <b>Uso previsto . . . . .</b>	<b>73</b>		
 <b>Protección del medio ambiente . . . . .</b>	<b>73</b>		
Embalaje . . . . .	73		
Aparato usado . . . . .	73		
 <b>Instalación y conexión . . . . .</b>	<b>73</b>		
Material entregado . . . . .	73		
Datos técnicos . . . . .	73		
Instalar el aparato . . . . .	73		
Ahorrar energía . . . . .	80		
Antes del primer uso . . . . .	81		
Conexión a la toma de agua . . . . .	81		
Conexión a la red eléctrica . . . . .	81		
 <b>Familiarizándose con el aparato . . . . .</b>	<b>82</b>		
Aparato . . . . .	82		
Controles . . . . .	83		
Dispensador de hielo y agua . . . . .	84		
Equipamiento . . . . .	84		
 <b>Manejo del electrodoméstico . . . . .</b>	<b>88</b>		
Encender el aparato . . . . .	88		
Apagar y cerrar el aparato . . . . .	88		
Ajustar de la unidad de temperatura . . . . .	88		
Ajustar la temperatura . . . . .	88		
Super frío . . . . .	88		
Supercongelación . . . . .	88		
Modo de ahorro energético . . . . .	89		
Modo fresco . . . . .	89		
Modo vacaciones . . . . .	89		
Modo Sabbat . . . . .	89		
Ajustar la iluminación . . . . .	89		
Alarma de cambio de filtro . . . . .	90		
Activar o desactivar el bloqueo de tecla (seguro para niños) del dispensador de hielo y agua . . . . .	90		
Iluminación del dispensador de hielo y agua . . . . .	90		
Ajustar la cantidad de agua para el llenado de botellas . . . . .	90		
Activar o desactivar el dispensador de hielo y agua y la máquina de hielo . . . . .	90		
 <b>Alarma . . . . .</b>	<b>90</b>		
Alarma de la puerta . . . . .	90		
Alarma de temperatura . . . . .	91		
 <b>Home Connect . . . . .</b>	<b>91</b>		
Configurar Home Connect . . . . .	91		
Instalar la actualización de software de Home Connect . . . . .	93		
Indicaciones sobre protección de datos . . . . .	93		
Diagnóstico remoto . . . . .	93		
 <b>Compartimento refrigerador . . . . .</b>	<b>94</b>		
Contenedor para verduras . . . . .	94		
Contenedor de almacenamiento frío . . . . .	94		
Puntos a observar al guardar los alimentos . . . . .	94		
 <b>Congelador . . . . .</b>	<b>95</b>		
 <b>Dispensador de hielo y agua . . . . .</b>	<b>95</b>		
Antes del primer uso . . . . .	95		
Tener en cuenta la calidad del agua potable . . . . .	95		
Informaciones relativas al funcionamiento del dispensador de hielo y agua . . . . .	95		
Dispensar hielo o agua . . . . .	96		
Opción de llenado de botella . . . . .	96		
 <b>Descongelación . . . . .</b>	<b>96</b>		
 <b>Limpiar . . . . .</b>	<b>97</b>		
Limpiar el interior del aparato . . . . .	97		
Limpiar los accesorios . . . . .	97		
 <b>Olores . . . . .</b>	<b>99</b>		
 <b>Iluminación . . . . .</b>	<b>99</b>		
 <b>Ruidos . . . . .</b>	<b>100</b>		
Ruidos normales . . . . .	100		
Evitar ruidos . . . . .	100		
 <b>¿Qué hacer en caso de averías? . . . . .</b>	<b>100</b>		
Aparato . . . . .	100		
Dispensador de hielo y agua . . . . .	101		
 <b>Servicio de Atención al Cliente . . . . .</b>	<b>103</b>		
Autoprueba del aparato . . . . .	103		
Declaración de garantía . . . . .	103		



# Indicaciones de seguridad importantes

¡LEER Y CONSERVAR ESTAS INDICACIONES!

## Definiciones

### **ADVERTENCIA**

El incumplimiento de las instrucciones de seguridad puede conducir a una situación peligrosa con riesgo de muerte o lesiones graves.

### **ATENCIÓN**

El incumplimiento de las instrucciones de seguridad puede conducir a una situación peligrosa con riesgo lesiones.

**AVISO:** Hacer caso omiso de esta advertencia puede causar daños al aparato.

**Nota:** Esto indica información y/o consejos importantes.

## Acerca de este manual

- Lea y siga las instrucciones de uso y de montaje. Ellas contienen información importante sobre la instalación, uso y mantenimiento del aparato.
- Guarde todas las instrucciones de uso y de montaje para futuras consultas y posteriores propietarios.

## Introducción

- Este aparato cumple las normas específicas de seguridad para aparatos eléctricos.
- La estanqueidad del circuito de refrigeración viene verificada de fábrica.

## Limitación del grupo de usuarios

- Evite riesgos para los niños y las personas vulnerables.
- Este aparato solo podrá ser usado por niños y personas cuyas facultades físicas, sensoriales o mentales estén mermadas o cuya falta de conocimientos o de experiencia les impida hacer un uso seguro de los mismos si lo hacen bajo supervisión de una persona responsable de su seguridad o hayan sido instruidos previamente en su uso y hayan comprendido los peligros que pueden derivarse del mismo.
- Se debe vigilar a los niños para asegurarse de que no jueguen con el aparato.

## Peligro de explosión

- Nunca use aparatos eléctricos en el interior del aparato (por ejemplo, calefactores o máquinas eléctricas para hacer hielo).
- No guarde productos que contengan gases propelentes o inflamables (por ejemplo, latas de aerosol), ni tampoco materiales explosivos en el aparato.
- Almacene el alcohol de alta graduación solamente en recipientes herméticos y en posición vertical.
- Con excepción de las indicaciones del fabricante, no adoptar medidas adicionales para acelerar la descongelación.




# Indicaciones de seguridad importantes

¡LEER Y CONSERVAR ESTAS INDICACIONES!

## Riesgo de descarga eléctrica

Una incorrecta instalación o reparación puede implicar serios peligros para el usuario.

- Al instalar el aparato, asegúrese de que el cable de conexión a la red eléctrica no quede atrapado ni se dañe.
- Para evitar peligros, desconecte el aparato inmediatamente en caso de que el cable de conexión esté dañado. Póngase en contacto con el fabricante, el Servicio de atención al cliente o con una persona con una cualificación similar para que sustituya el cable de red.
- No utilice nunca tomas de corriente múltiples ni cables de prolongación o adaptadores.
- Antes de que realice trabajos de mantenimiento o instale el aparato, desenchúfelo de la red eléctrica o apague el fusible.
- Antes de limpiar el electrodoméstico, pulsar la tecla  power para apagar el aparato. Es posible cambiar de lugar las bandejas de cristal u otras piezas de equipamiento mientras el aparato está encendido.
- Nunca corte o retire el tercer conductor (conductor a tierra) del cable de conexión a la red eléctrica.
- Nunca utilice ningún tipo de limpiador de vapor para derretir la escarcha o limpiar el aparato. El vapor puede llegar a las piezas eléctricas y causar un cortocircuito.
- El aparato, cables y accesorios solamente deben ser reparados o cambiados por el fabricante o por un proveedor autorizado.
- Utilice únicamente piezas originales del fabricante. El fabricante garantiza que estas piezas cumplen los requisitos de seguridad.

## Peligro de quemaduras por frío

- Nunca introduzca los alimentos congelados - inmediatamente después de sacarlos del congelador - directamente en la boca.
- Evite el contacto prolongado de la piel con los alimentos congelados o cualquier otra superficie del congelador.

## Peligro de lesiones

- Los envases con bebidas carbonatadas pueden estallar.
- No almacene envases con bebidas carbonatadas en el congelador.



## Peligro de incendio/peligro a causa de líquido refrigerante

En los tubos del circuito de enfriamiento fluye una pequeña cantidad de un refrigerante ecológico, pero inflamable (R600a). Si el líquido refrigerante sale a chorro puede inflamarse o provocar lesiones en los ojos.

- No dañar los tubos.

En caso de daños en los tubos:

- Mantener las fuentes de fuego o focos de ignición alejados del aparato.
- Ventilar el lugar.
- Apagar el aparato y desenchufar.
- Llamar al Servicio de atención al cliente.



## Riesgo de incendio

Las tomas de corriente múltiples portátiles o las fuentes de alimentación portátiles pueden sobrecalentarse y provocar incendios.

- No colocar tomas de corriente múltiples portátiles ni fuentes de alimentación portátiles detrás del aparato.



# Indicaciones de seguridad importantes

¡LEER Y CONSERVAR ESTAS INDICACIONES!

## Riesgo de asfixia

- No dejar el embalaje o sus partes a los niños.
- Para evitar que los niños trepen al aparato, no retire la pared divisora del recipiente para productos congelados (grande).

## Daños materiales

Para evitar daños materiales:


- No pise, ni se apoye sobre el zócalo, cajones o puertas.
- Mantenga las piezas de plástico y juntas de goma limpias de aceites y grasas.
- Tirar del enchufe - no del cable de conexión.

## Peso

El aparato es muy pesado. Realizar la instalación y el transporte del aparato siempre con un mínimo de 2 personas.  
→ "Instalar el aparato" en la página 73

## Advertencias en virtud de la Proposición 65 del estado de California

Este producto puede contener un químico que el Estado de California reconoce como potencialmente cancerígeno o causante de daños reproductivos. Por tanto, su producto debe llevar en su embalaje la siguiente etiqueta de conformidad con la legislación de California:

<p>STATE OF CALIFORNIA PROPOSITION 65 WARNING: / AVERTISSEMENT ISSUE DE LA PROPOSITION 65 DE L'ÉTAT DE LA CALIFORNIE:</p> <p> <b>WARNING / AVERTISSEMENT</b></p> <p>Cancer and Reproductive Harm / Cancer et dommages à la reproduction - <a href="http://www.P65Warnings.ca.gov">www.P65Warnings.ca.gov</a>.</p>
--



## **Uso previsto**

Use este aparato

- solamente para refrigerar y congelar alimentos, para la fabricación de hielo y para dispensar agua potable.
- solo para uso doméstico o en el entorno del hogar.
- solo de acuerdo a estas instrucciones de uso.

Este aparato está previsto para ser utilizado a una altura máxima de 13123 ft (4000 m) sobre el nivel del mar.

## **Protección del medio ambiente**

### **Embalaje**

Todos los materiales son ecológicos y reciclables:

- Deseche el embalaje conforme a la normativa medioambiental.
- Pregunte a su Distribuidor o en su Administración Pública acerca de los métodos de eliminación.

### **Aparato usado**

Mediante una eliminación respetuosa con el medio ambiente, se pueden recuperar materias primas valiosas.

### **ADVERTENCIA**

¡LOS NIÑOS SE PUEDEN ENCERRAR Y ASFIXIAR EN EL APARATO!

Antes de eliminar el aparato usado:

- Desmontar las puertas y los cajones.
- Dejar las bandejas y recipientes dentro del aparato para dificultar que los niños se suban.
- Mantenga a los niños lejos de los aparatos usados.

### **ATENCIÓN**

SE PUEDEN ESCAPAR REFRIGERANTES Y GASES NOCIVOS.

No dañe las tuberías del circuito de refrigeración y aislamiento.

1. Desconecte el enchufe.
2. Corte el cable de conexión del aparato.
3. Eliminar el aparato correctamente.

## **Instalación y conexión**

### **Material entregado**

Verifique que todas las piezas no presenten daños ni desperfectos debidos al transporte tras desembalarlas.

Si hay daños, diríjase al distribuidor en donde adquirió su electrodoméstico o a nuestro Servicio de atención al cliente.

→ "Servicio de Atención al Cliente" en la página 103

El envío consta de los siguientes elementos:

- Aparato de libre instalación
- Material de montaje
- Equipamiento (según modelo)
- Instrucciones de uso y montaje
- Declaración sobre la garantía limitada del producto
- Informaciones sobre el consumo de energía y los ruidos del aparato

### **Datos técnicos**

El refrigerante utilizado, la capacidad útil y otros datos técnicos se encuentran en la placa de identificación.

→ "Familiarizándose con el aparato" en la página 82

### **Instalar el aparato**

#### **Lugar de instalación**

Tenga en cuenta estas indicaciones al instalar su aparato.

### **ADVERTENCIA**

¡PELIGRO DE EXPLOSIÓN!

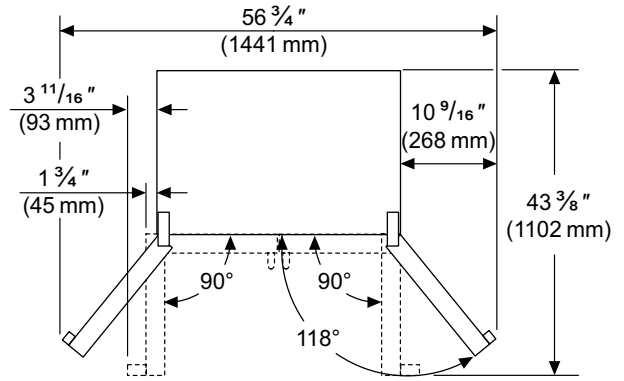
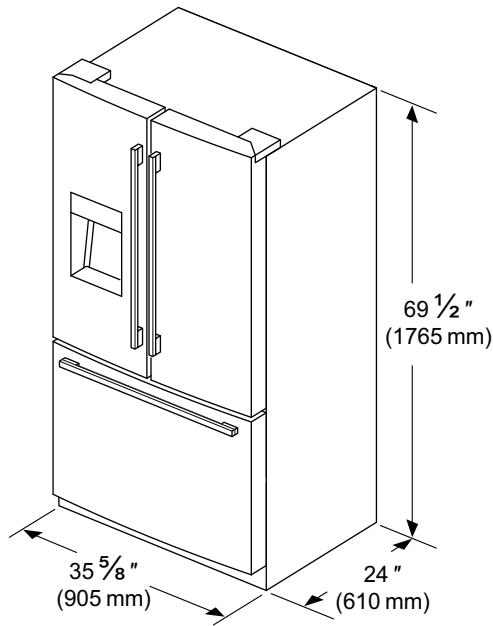
Si el aparato se encuentra en una habitación demasiado pequeña, puede generarse una mezcla inflamable de aire y gas en caso de una fuga del circuito de enfriamiento.

Por favor, colocar el aparato solo en una habitación que tenga una dimensión mínima de 36 ft<sup>3</sup> (1 m<sup>3</sup>) por 0,3 oz (8 g) de refrigerante. La cantidad de refrigerante se indica en la placa de características.

→ "Familiarizándose con el aparato" en la página 82

El peso de fábrica de su aparato puede ser de hasta 320 lb (145 kg), dependiendo del modelo. Para soportar el peso del dispositivo, la superficie debe ser lo suficientemente estable.

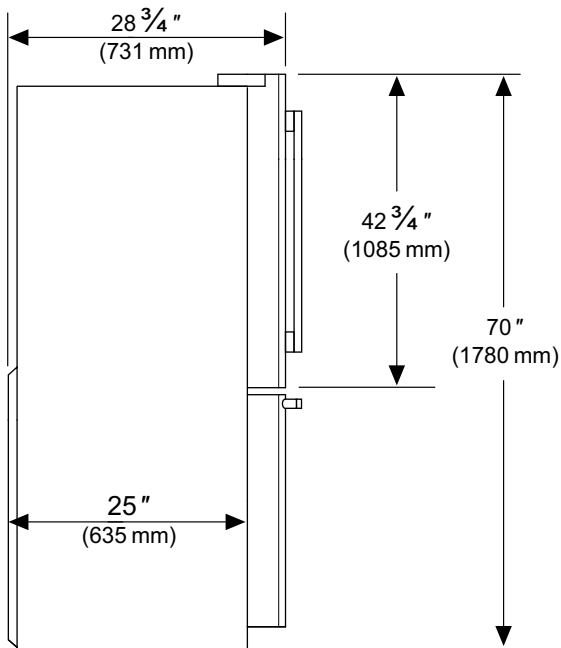
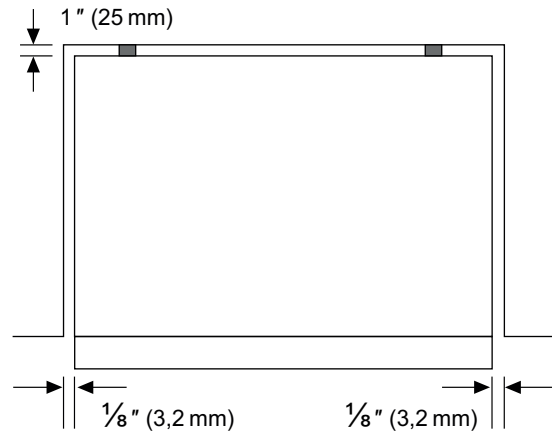
### Cotas de instalación



### Distancias mínimas

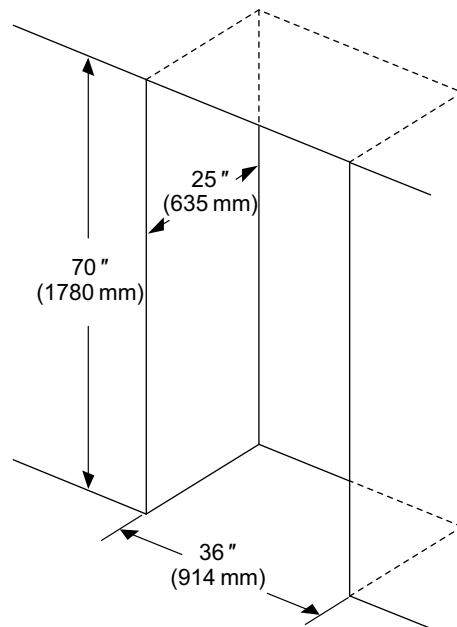
Dejar una distancia hasta el aparato hacia arriba de 1/2" (12,7 mm).

Mantener las distancias mínimas siguientes:



### Medidas del hueco de encastre

Si se coloca el aparato en un nicho, respetar las siguientes medidas:



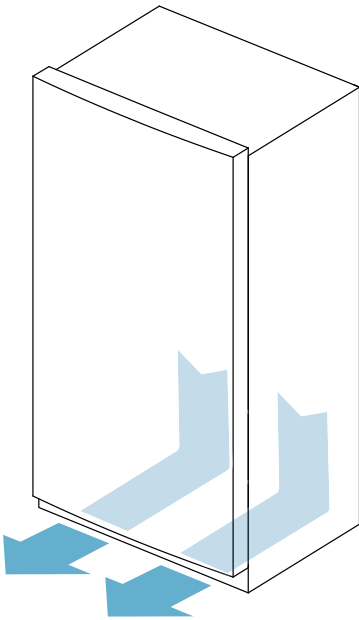
### Ángulo de apertura de la puerta

Si el lugar de montaje limita el ángulo de apertura de la puerta a menos de 118°, adquiera un tope de puerta de 90° a través de nuestro servicio de atención al cliente.

→ "Servicio de Atención al Cliente" en la página 103

### Ventilación

No cubrir u obstruir las aberturas de ventilación y aireación.

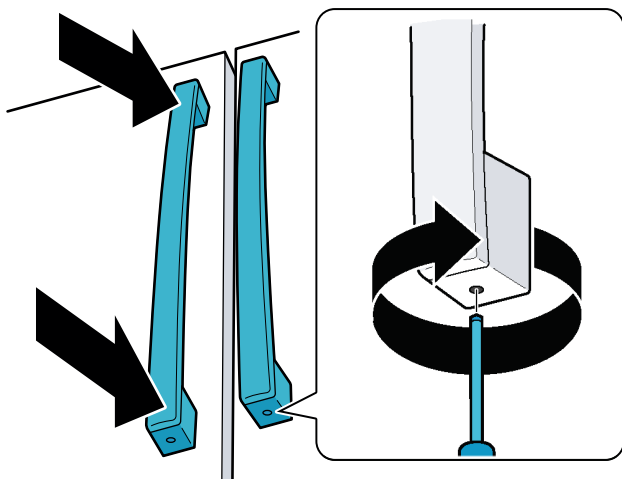


### Monta la manija

1. Colocar verticalmente el mango en los pernos premontados.

**Nota:** Los agujeros del mango tienen que señalar hacia arriba y abajo.

2. Con una llave hexagonal de 2,5 mm enroscar por arriba y por abajo en sentido de las manecillas de reloj las roscas premontadas.

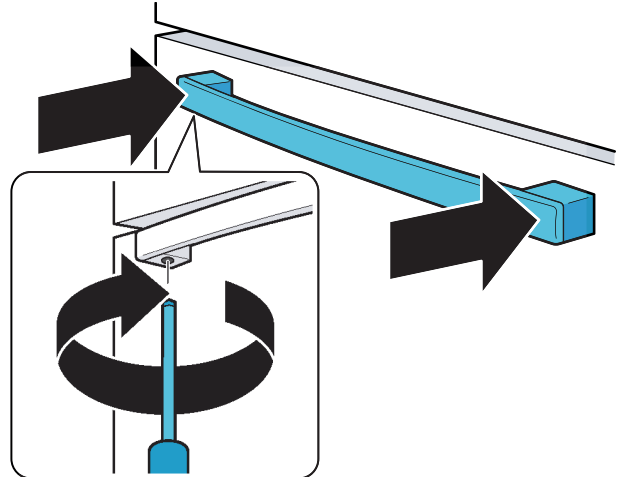


### Montar el mango del cajón

1. Introducir el mango horizontalmente sobre los pernos premontados.

**Nota:** Los agujeros del mango tienen que mirar hacia abajo.

2. Con una llave hexagonal de 2,5 mm enroscar por abajo en sentido de las manecillas de reloj las roscas premontadas.



### Nivelar el aparato

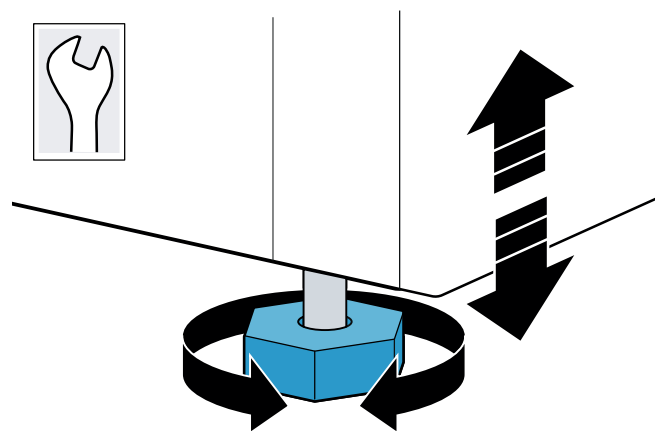
#### ⚠ ATENCION

- Para evitar daños en el suelo, mueva el aparato hacia arriba con las patas roscadas.
- Para que el aparato no ruede o se incline al abrir la puerta, las patas roscadas delanteras tienen siempre que tocar el suelo.

Debajo del aparato se encuentran rueditas para desplazarlo y alinearlo fácilmente:

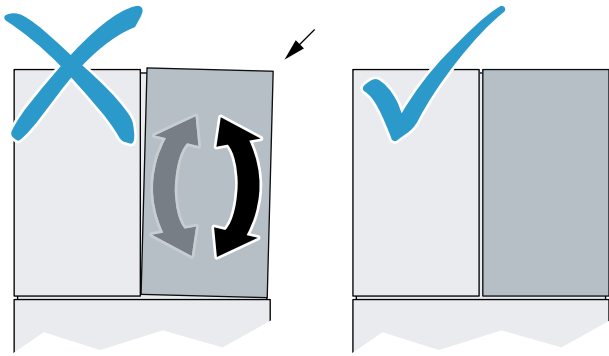
1. Colocar el aparato en posición vertical sobre una base firme y plana.
2. Enroscar hacia abajo ambas patas roscadas delanteras para que puedan tocar el suelo.
3. Nivelar las irregularidades del suelo a través de las patas roscadas delanteras.

**Nota:** Utilizar un nivel de burbuja para nivelar el aparato.



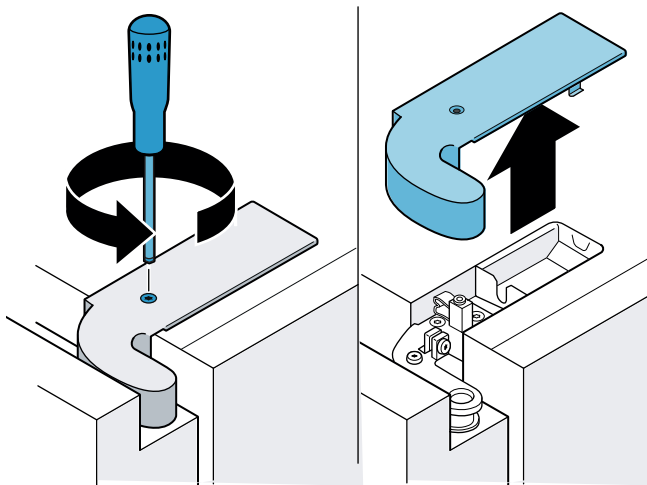
## Nivelar las puertas del compartimento frigorífico

### Nivelar el resquicio vertical de las puertas:



**Nota:** En caso de que sea necesario, retirar el contenido de las puertas.

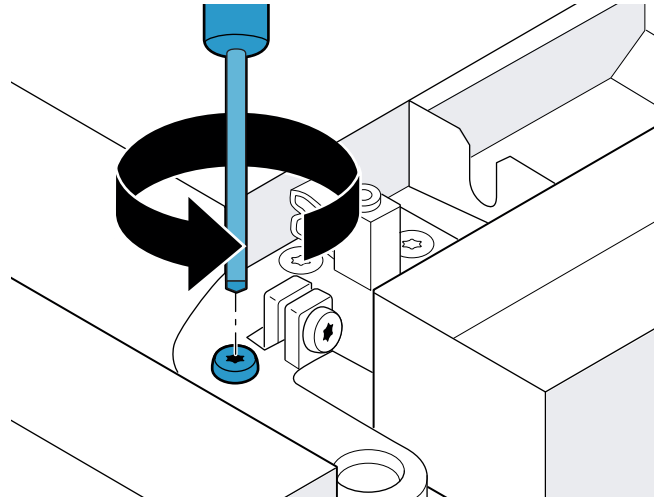
1. Retirar el tornillo T20 y la tapa protectora de la bisagra.



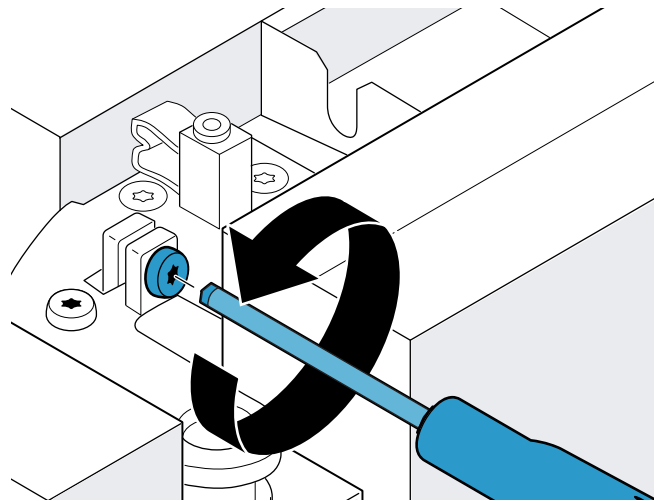
2. Aflojar el tornillo de seguridad.

### ⚠ ATENCION

No retirar el tornillo de seguridad.

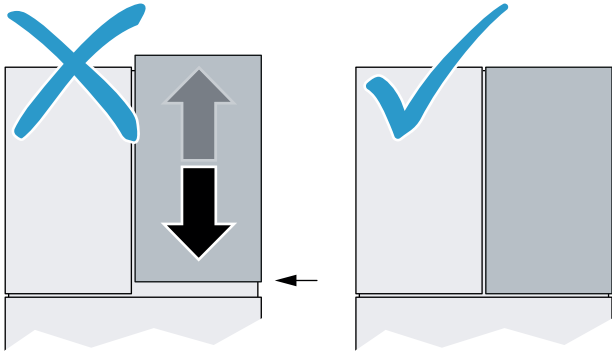


3. Girar el tornillo de ajuste con la puerta cerrada hasta alcanzar la posición deseada.
  - Para mover el extremo superior de la puerta hacia el lado exterior del aparato, debe girarse en el sentido de las manecillas del reloj.
  - Para mover el extremo superior de la puerta hacia el lado interior del aparato, debe girarse en sentido contrario de las manecillas del reloj.



4. Cerrar la puerta para controlar la posición y corregir en caso necesario.
5. Apretar otra vez el tornillo de seguridad.
6. Montar la tapa protectora y volver a apretar el tornillo T20.

**Alinear el resquicio horizontal entre las puertas y los cajones:**

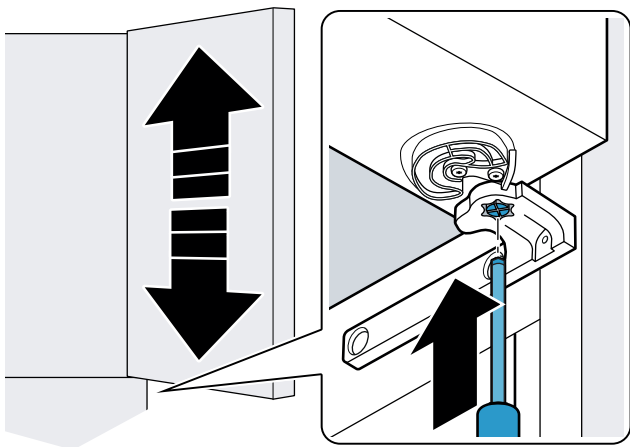


**⚠ ATENCION**

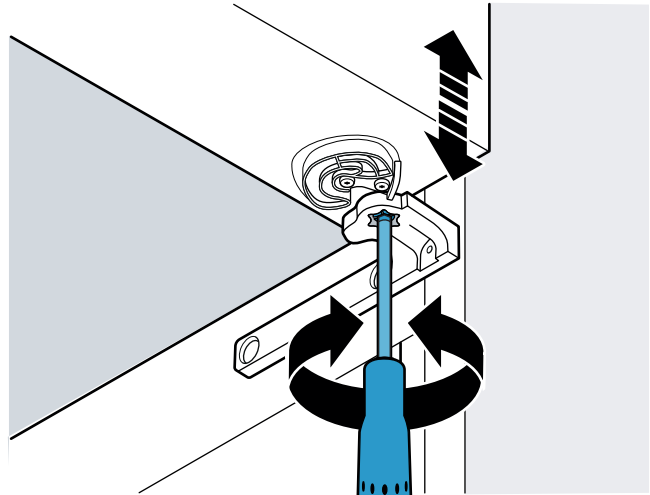
Para no dañar el aparato, mueva la puerta derecha hacia abajo cuando la parte superior del montante de la puerta entre en contacto con la carcasa.

**Nota:** En caso de que sea necesario, retirar el contenido de las puertas.

1. Abrir las puertas y los cajones.
2. Levantar la puerta y guiarla por abajo con un destornillador hasta la bisagra.



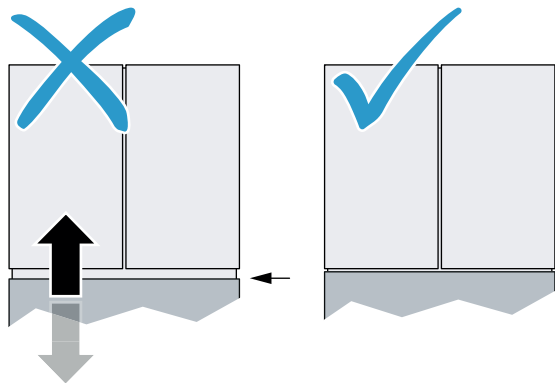
3. Presionar hacia arriba la pieza de ajuste y girarla unos 60° hasta alcanzar la posición deseada.
  - La altura de la puerta se puede ajustar en 2 niveles de 1/16" (1,6 mm) respectivamente. Tras el nivel más alto sigue el más bajo. La pieza de ajuste encaja en cuanto se alcance una posición.
  - Para mover la puerta hacia arriba debe girarse en sentido de las manecillas del reloj.
  - Para mover la puerta hacia abajo debe girarse en sentido contrario de las manecillas del reloj.



4. Cerrar la puerta y el cajón para comprobar la posición y, en caso sea necesario, corregirla.

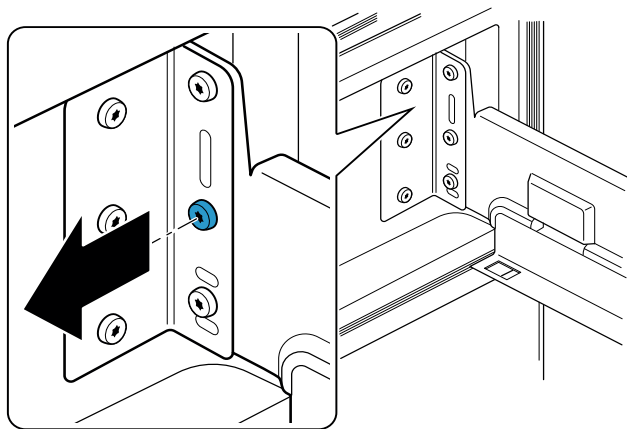
### Alinear los cajones

Puede colocar los cajones en posición vertical:



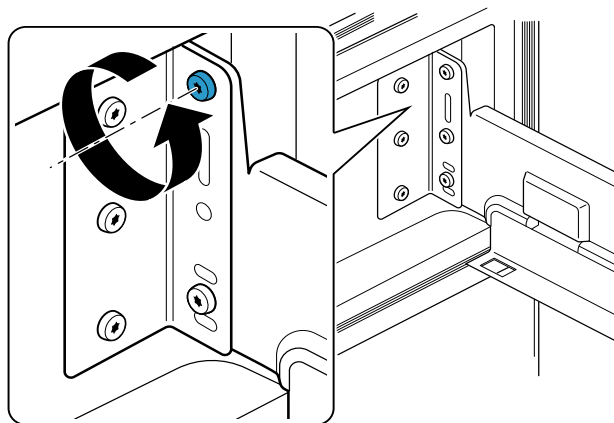
1. Abrir el cajón hasta el tope y retirar el contenedor.
2. Retirar los tornillos medios en ambos lados.

**Nota:** Si desea restablecer los ajustes de fábrica del cajón, conserve los tornillos.



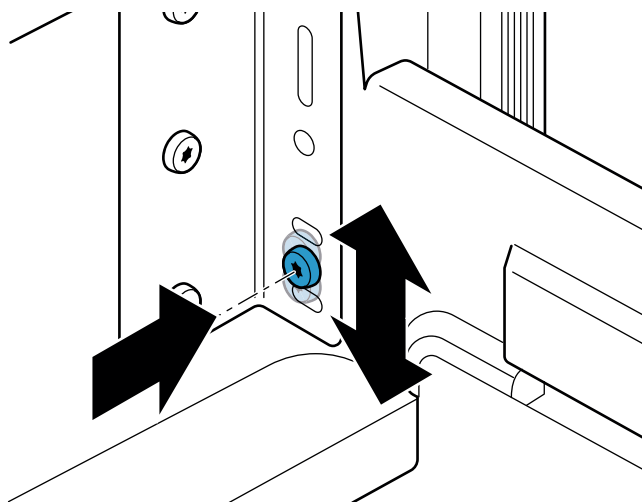
3. Aflojar los tornillos superiores en ambos lados.

**Nota:** No retirar los tornillos.



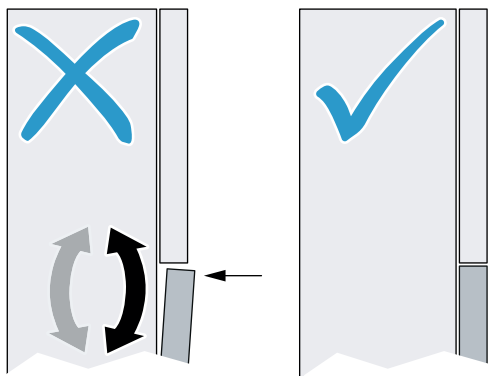
4. Levantar el cajón y retirar los tornillos inferiores en ambos lados.
5. Mover el cajón hacia arriba o hacia abajo hasta la posición deseada y enroscar los tornillos inferiores en ambos lados en los orificios previstos para ello.

**Nota:** El cajón puede ajustarse unos 1/16" (1,6 mm) hacia arriba y abajo.



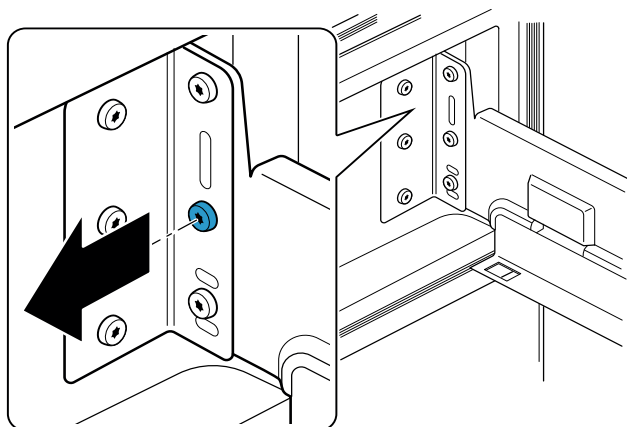
6. Volver a apretar todos los tornillos.
7. Cerrar el cajón para comprobar la posición y corregirla si fuera necesario.

**Puede alinear la inclinación de los cajones:**



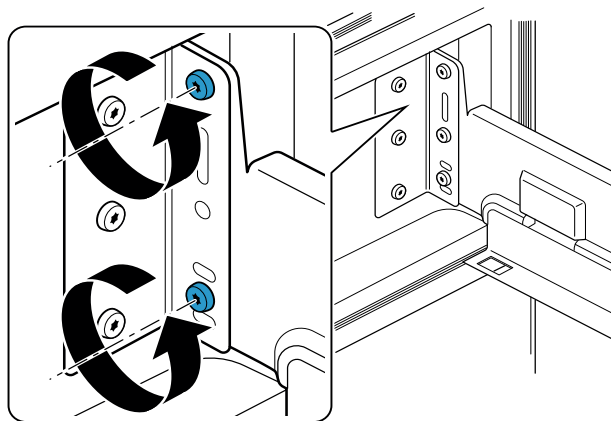
1. Abrir el cajón hasta el tope y retirar el contenedor.
2. Retirar los tornillos medios en ambos lados.

**Nota:** Si desea restablecer los ajustes de fábrica del cajón, conserve los tornillos.

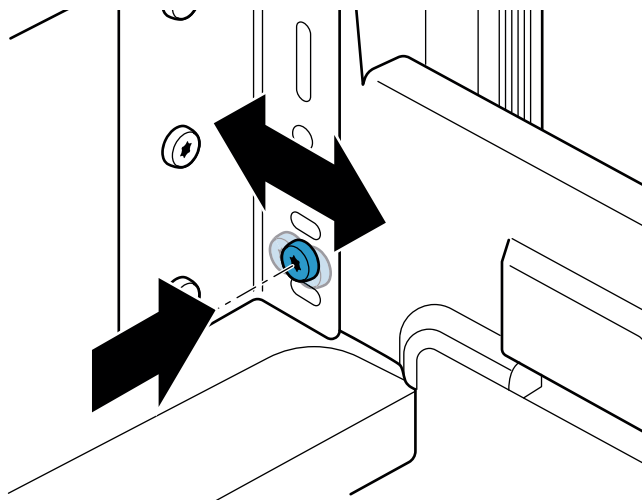


3. Aflojar los tornillos superiores e inferiores en ambos lados.

**Nota:** No retirar los tornillos.



4. Mover el cajón hacia la izquierda o hacia la derecha por el tornillo inferior hasta la posición deseada y apretar el tornillo.



5. Volver a apretar todos los tornillos.
6. Cerrar el cajón para comprobar la posición y corregirla si fuera necesario.

## Ahorrar energía

Si sigue estas instrucciones, el aparato consume menos corriente.

**Nota:** La disposición de las piezas de equipo no afectará el consumo de energía de aparato.

Instalar el aparato	
Proteger el aparato de la luz directa del sol.	Cuando la temperatura ambiente es más baja, el aparato enfría con menos frecuencia, consumiendo menos corriente.
Coloque el aparato a la mayor distancia posible de radiadores, estufas u otras fuentes de calor: Distancia mínima de 1 1/4" (3 cm) con estufas eléctricas o de gas. Distancia mínima de 1 1/4" (30 cm) con estufas de aceite o carbón.	
Seleccione el lugar de instalación con una temperatura ambiente de aproximadamente 68 °F (20 °C).	
No cubrir u obstruir las aberturas de ventilación.	Cuando el aire caliente puede salir, el aparato enfría con menos frecuencia y por lo tanto consume menos corriente.
Ventilar diariamente la habitación.	
Uso del aparato	
Abrir la puerta del aparato solo brevemente.	El aire en el interior del aparato no se calienta tanto. El aparato debe enfriar con menos frecuencia y, por lo tanto, consume menos corriente.
Transporte los alimentos comprados en una bolsa térmica y colóquelos inmediatamente en el aparato.	
Deje enfriar los alimentos o bebidas calientes hasta temperaturas ambientes antes de introducirlos en el aparato.	
Para utilizar el frío de los productos congelados, descongele los productos congelados en el compartimento refrigerador.	El aire puede circular y la humedad del aire permanece constante. El aparato debe enfriar con menos frecuencia y, por lo tanto, consume menos corriente.
Siempre deje un poco de espacio entre los alimentos y el panel posterior.	
Envasar herméticamente los alimentos.	
No cubrir ni obstruir las aberturas de ventilación.	
Aspirar las aberturas de ventilación una vez al año o cuantas veces sea necesario.	



## Antes del primer uso

1. Retirar el material informativo y eliminar las cintas adhesivas, así como las láminas protectoras.
2. Sacar el cable de conexión del aparato.
3. Limpiar el aparato.  
→ "Limpiar" en la página 97
4. Montar el equipamiento.  
→ "Equipamiento" en la página 84

## Conexión a la toma de agua

### ATENCION

- No doblar, aplastar, modificar ni cortar las mangueras de agua.
- Nunca tire de la manguera de agua de la parte trasera del aparato.
- Para evitar daños al aparato y garantizar el correcto funcionamiento de la unidad, conectar el aparato solamente a una tubería de agua potable.
- Para evitar daños por agua, se debe instalar una válvula de cierre.

### Notas

- La instalación y la conexión del aparato deben realizarse por personal especializado.
- La válvula de cierre debe estar fácilmente accesible después de la instalación del aparato.
- Tener en cuenta las normativas locales de la conexión de agua.

### La calidad del agua de la conexión de agua se comprueba:

- Lavar bien la tubería de agua hacia el aparato hasta que no aparezcan sedimentos en el agua o el agua ya no esté turbia.
- Si la tubería de agua hacia el aparato contiene siempre sedimentos o el agua sale turbia, instale un sistema de filtro de agua externo.

### Presión del agua de la tubería de agua potable

### ATENCION

Para evitar daños al aparato, se debe instalar un limitador de presión entre la toma de agua y el juego de mangueras, si la presión del agua excede el valor máximo.

**Nota:** Si la presión del agua es demasiado baja, las funciones correspondientes del aparato se verán perjudicadas.

- Presión del agua mín.: 0,2 Mpa (2 bar / 29 psi)
- Presión del agua máx.: 0,8 Mpa (8 bar / 116 psi)

## Conexión a la red eléctrica

### ATENCION

No conecte el aparato a enchufes de ahorro de energía electrónicos.

**Nota:** El aparato se puede conectar a convertidores conmutados por red o de onda sinusoidal.

Los convertidores conmutados por red se emplean en las instalaciones fotovoltaicas conectadas directamente a la red pública de abastecimiento de corriente eléctrica. En instalaciones aisladas deberán emplearse los convertidores de onda sinusoidal. Las instalaciones aisladas, por ejemplo en barcos o refugios de montaña, no tienen conexión directa a la red pública de corriente eléctrica.

1. Insertar el conector del cable de red en la parte trasera del aparato.
2. Debe asegurarse que la toma de corriente se ha instalado correctamente y cumple con los requerimientos exigidos.

### Requisitos para las tomas de corriente

Toma de corriente con  
conductor de protección: 110 V ... 127 V / 60 Hz  
Fusible: mín. 15 A ... 20 A

### Carga máxima

Aparato: 5,5 A

3. Conecte el aparato a una toma de corriente cerca del aparato.  
La toma de corriente debe estar fácilmente accesible después de la instalación del aparato.

### ADVERTENCIA

¡RIESGO DE DESCARGA ELÉCTRICA!

No utilice nunca tomas de corriente múltiples, ni cables de prolongación o adaptadores.

El aparato debe estar conectado a tierra adecuadamente.

Nunca corte o retire el tercer conductor (conductor a tierra) del cable de conexión a la red eléctrica.

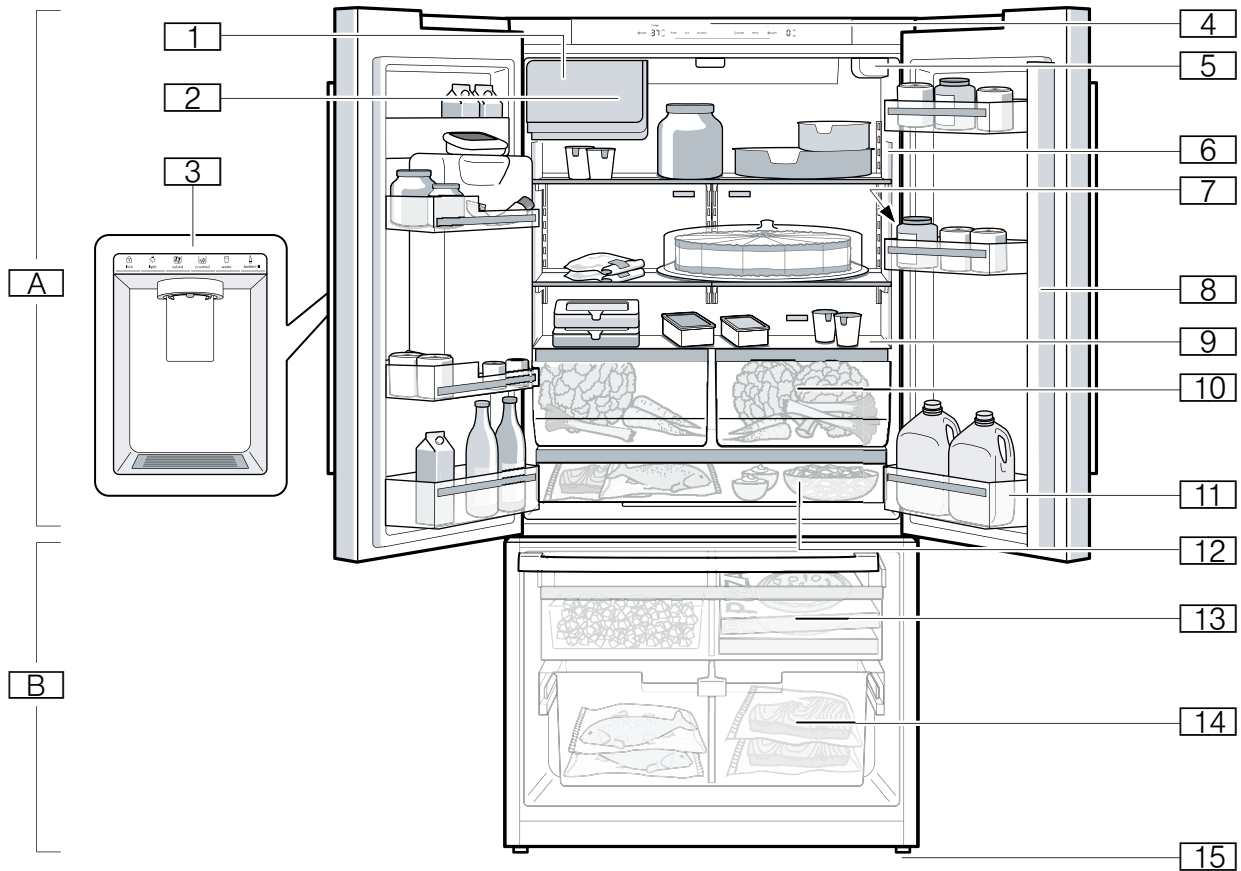
### ADVERTENCIA

¡RIESGO DE DESCARGA ELÉCTRICA!

Si la longitud del cable de conexión a la red eléctrica no es suficiente, no utilice nunca ni tomas de corrientes múltiples ni cables de prolongación. Contacte al Servicio de atención al cliente para mayor información.

# Familiarizándose con el aparato

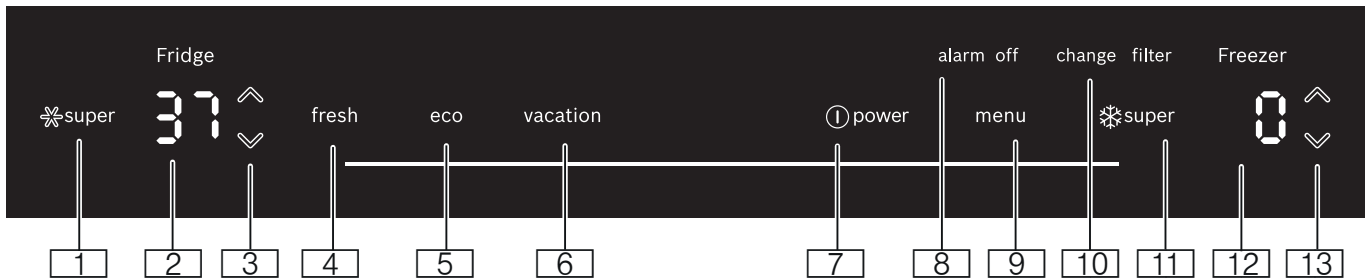
## Aparato



**A** Compartimento refrigerador  
**B** Congelador

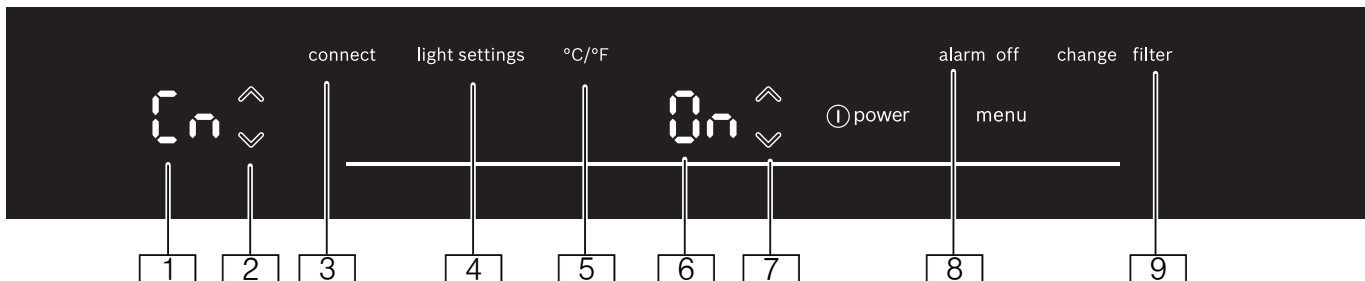
- 1** Máquina de hielo
- 2** Depósito para cubitos de hielo
- 3** Dispensador de hielo y agua
- 4** Controles
- 5** Filtro de agua
- 6** Iluminación interior
- 7** Placa de características
- 8** Montante de puerta con protección contra condensación
- 9** Placa separadora con regulador de humedad
- 10** Contenedor para verduras
- 11** Estante para guardar botellas grandes
- 12** Contenedor de almacenamiento frío
- 13** Recipiente para productos congelados (superior)
- 14** Recipiente para productos congelados (grande)
- 15** Patas roscadas

## Controles



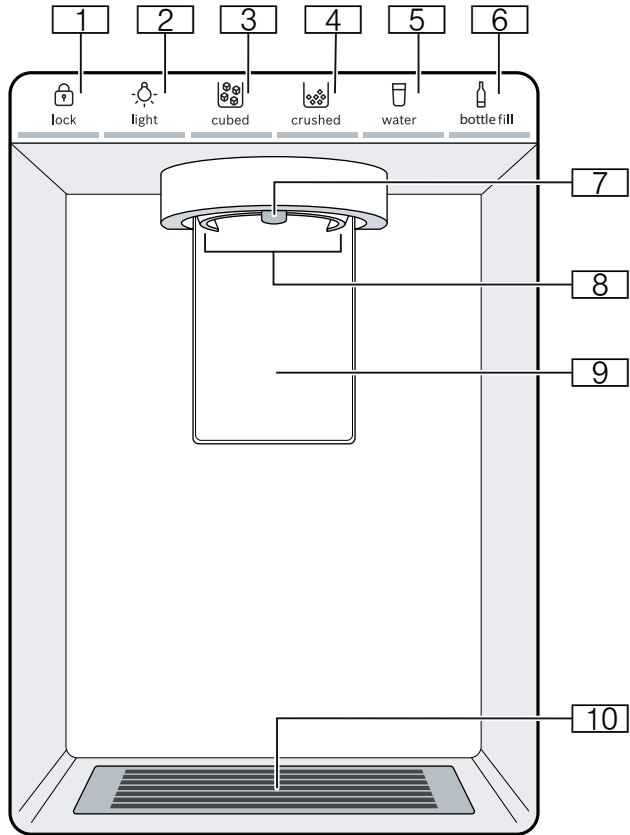
- |  |   |
|--|---|
| <p><b>1</b> Tecla * <b>super</b> del compartimento refrigerador<br/>Enciende o apaga la función de superfrío.</p> <p><b>2</b> Indicación de la temperatura del compartimento refrigerador.<br/>Muestra la temperatura programada en °C/°F.</p> <p><b>3</b> Tecla <math>\wedge/\vee</math> del compartimento refrigerador<br/>Permite ajustar la temperatura del compartimento refrigerador.</p> <p><b>4</b> Tecla <b>fresh</b><br/>Activa y desactiva el modo fresco.</p> <p><b>5</b> Tecla <b>eco</b><br/>Activa y desactiva el modo de ahorro energético.</p> <p><b>6</b> Tecla <b>vacation</b><br/>Activa y desactiva el modo vacaciones.</p> | <p><b>7</b> Tecla <math>\textcircled{1}</math> <b>power</b><br/>Conecta o desconecta el aparato.</p> <p><b>8</b> Tecla <b>alarm off</b><br/>Desactiva la alarma.</p> <p><b>9</b> Tecla <b>menu</b><br/>Abre el menú.</p> <p><b>10</b> Tecla <b>change filter</b><br/>Desactiva la alarma del cambio de filtro.</p> <p><b>11</b> Tecla * <b>super</b> del congelador<br/>Enciende o apaga la función de supercongelación.</p> <p><b>12</b> Indicación de la temperatura del congelador<br/>Muestra la temperatura programada en °C/°F.</p> <p><b>13</b> Tecla <math>\wedge/\vee</math> del congelador<br/>Permite ajustar la temperatura del congelador.</p> |
|--|---|

## Controles del submenú



- |   |   |
|---|---|
| <p><b>1</b> Indicador del submenú<br/>Muestra el submenú ajustado.</p> <p><b>2</b> Tecla <math>\wedge/\vee</math> del submenú<br/>Sirve para navegar por el submenú.</p> <p><b>3</b> Tecla <b>connect</b><br/>Abre el menú Home Connect.</p> <p><b>4</b> Tecla <b>light settings</b><br/>Abre el menú de la iluminación.</p> <p><b>5</b> Tecla <b>°C/°F</b><br/>Abre el menú de la unidad de temperatura.</p> <p><b>6</b> Indicador de ajustes<br/>Muestra los ajustes del submenú.</p> | <p><b>7</b> Tecla de ajustes <math>\wedge/\vee</math><br/>Modifica los ajustes del submenú.</p> <p><b>8</b> Tecla <b>alarm off</b><br/>Abre el menú de la alarma.</p> <p><b>9</b> Tecla <b>change filter</b><br/>Abre el menú del filtro.</p> |
|---|---|

## Dispensador de hielo y agua



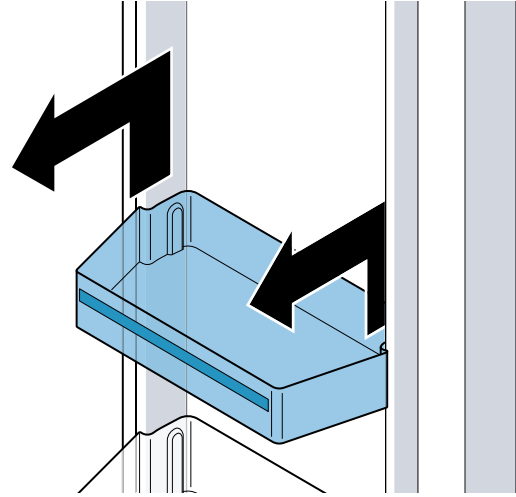
- 1 Tecla **lock**  
Bloquea o desbloquea el dispensador de hielo y agua.
- 2 Tecla **light**  
Enciende y apaga la iluminación permanente del dispensador de hielo y agua.
- 3 Tecla **cubed**  
Ajusta el dispensador a cubitos de hielo.
- 4 Tecla **crushed**  
Ajusta el dispensador a hielo triturado.
- 5 Tecla **water**  
Ajusta el dispensador a agua.
- 6 Tecla **bottle fill**  
Ajusta el dispensador a una cantidad de agua determinada.
- 7 Salida del dispensador de agua
- 8 Abertura del dispensador de hielo
- 9 Palanca dispensadora
- 10 Bandeja de goteo

## Equipamiento

### Estantes

Puede retirar el estante:

- Levantar el estante y sacarlo.



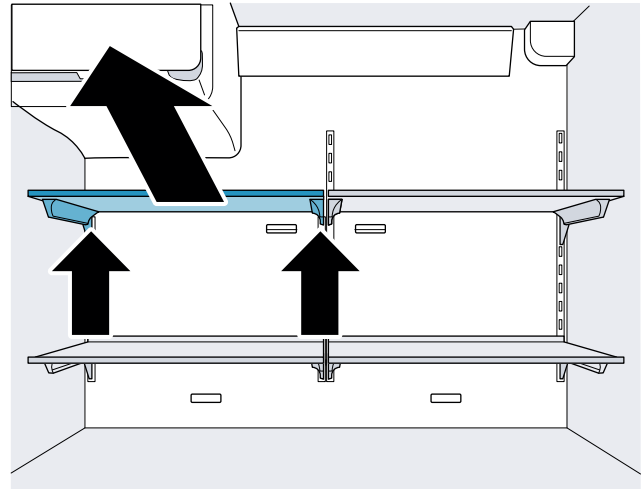
### Bandeja

Puede sacar y variar la bandeja:

- Levantar la bandeja y sacarla.

### Notas

- No tape las rejillas de ventilación.
- Coloque la bandeja con cuidado, para no rayar el aparato.
- Asegúrese de que los ganchos se hayan insertado completamente y que la bandeja esté en posición horizontal.



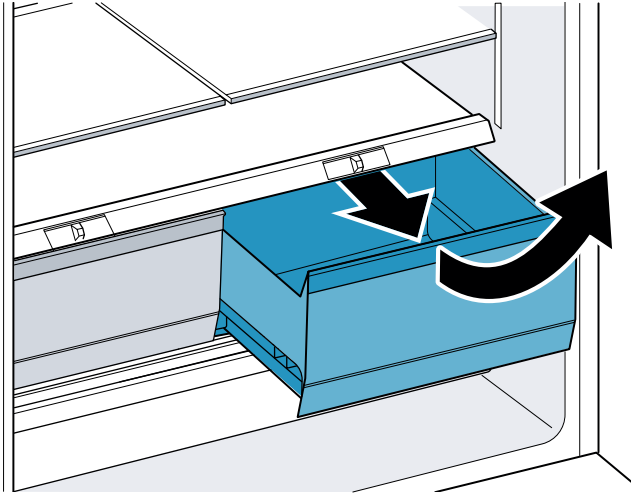
### Contenedor para verduras

Se puede retirar el contenedor para verduras:

- Extraer el contenedor hasta el tope, levantarlo por la parte frontal y retirarlo del aparato.

Para colocar el recipiente:

- Extraiga completamente los carriles telescópicos.
- Coloque el recipiente en los carriles telescópicos y empújelo en el aparato hasta que encastre.



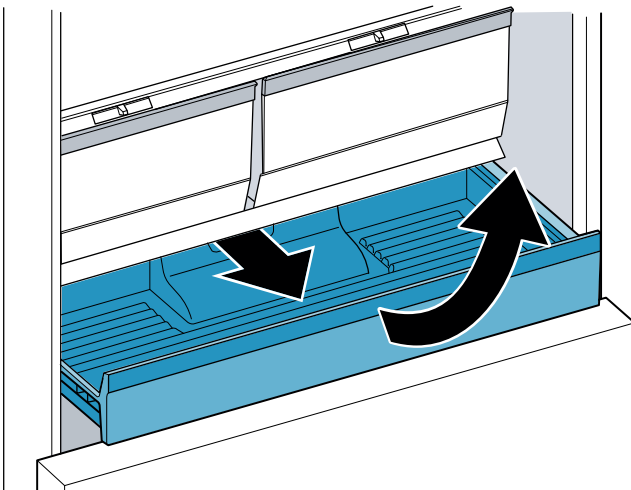
### Contenedor de almacenamiento frío

Se puede retirar el contenedor para verduras:

- Extraer el contenedor hasta el tope, levantarlo por la parte frontal y retirarlo del aparato.

Para colocar el recipiente:

- Extraiga completamente los carriles telescópicos.
- Coloque el recipiente en los carriles telescópicos y empújelo en el aparato hasta que encastre.



### Recipiente para productos congelados (superior)

#### ⚠ ATENCION

#### AVERÍAS EN EL EQUIPAMIENTO

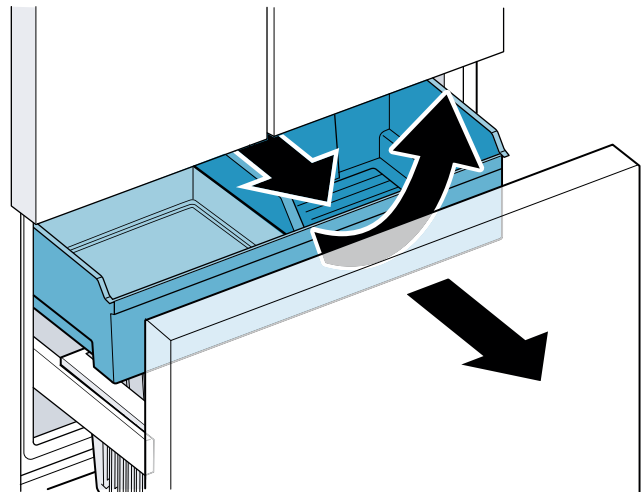
Nunca retirar la placa separadora del contenedor.

Se puede retirar el contenedor para verduras:

- Extraer el contenedor hasta el tope, levantarlo por la parte frontal y retirarlo del aparato.

Para colocar el recipiente:

- Extraiga completamente los carriles telescópicos.
- Coloque el recipiente en los carriles telescópicos y empújelo en el aparato hasta que encastre.



## Recipiente para productos congelados (grande)

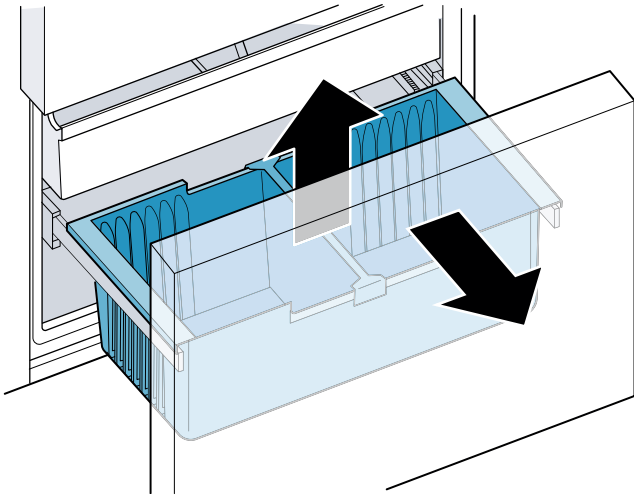
### ⚠ ATENCION

#### AVERÍAS EN EL EQUIPAMIENTO

Nunca retirar la placa separadora del contenedor.

Puede retirar el recipiente para productos congelados (grande):

1. Desplazar el cajón del congelador hasta el tope y retirar el recipiente para productos congelados (superior).
2. Levantar y retirar el recipiente para productos congelados (grande).



## Máquina de hielo

### ⚠ ADVERTENCIA

¡RIESGO DE LESIONES!

Nunca agarre por debajo de la máquina de hielo.

### Notas

- La producción de hielo se inicia tan pronto como el aparato alcance las temperaturas establecidas.
- Tan pronto el aparato haya alcanzado las temperaturas ajustadas, se habrá finalizado la primera producción de cubitos de hielo al cabo de aprox. 4 horas.
- Los cubitos de hielo listos se depositan automáticamente en el depósito.
- La producción de hielo se detiene automáticamente cuando el depósito de cubitos de hielo está lleno.
- Por motivos de higiene, recomendamos desechar los cubitos de hielo que se hayan producido en las primeras 24 horas.

## Depósito para cubitos de hielo

### ⚠ ADVERTENCIA

¡RIESGO DE LESIONES!

No introduzca nunca las manos en la abertura dispensadora del depósito para cubitos de hielo.

### ⚠ ADVERTENCIA

¡PELIGRO DE QUEMADURAS POR FRÍO!

Evitar el contacto prolongado de la piel con hielo y superficies metálicas en el depósito de cubitos de hielo.

### ⚠ ATENCION

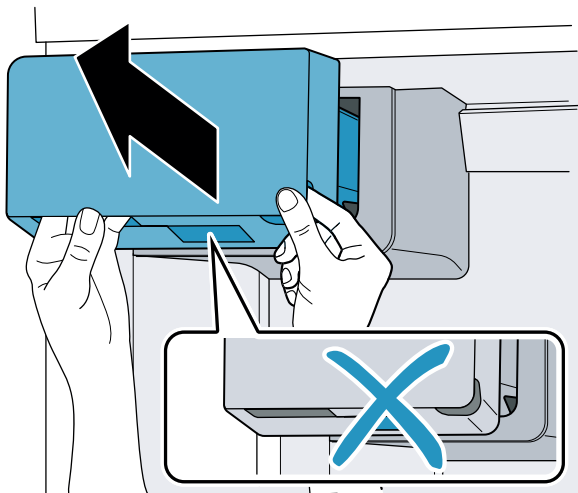
- **Daños en el aparato:** No almacenar nunca botellas o alimentos en el depósito de cubitos de hielo, ni siquiera por un corto período de tiempo. Debido a esto, se puede bloquear la máquina de hielo y dañarse.
- **Averías en el equipamiento:** No lavar nunca el depósito de cubitos de hielo en el lavavajillas.
- **El depósito para cubitos de hielo lleno tiene un peso considerable:** Extraiga el depósito de cubitos de hielo tirando de él con las dos manos.

### Notas

- Puede retirar grandes cantidades de cubitos de hielo directamente del depósito para cubitos de hielo o guardarlos en el recipiente para productos congelados (superior).
- No añadir nunca de manera manual cubitos de hielo en el depósito de cubitos de hielo.
- Lavar el depósito de cubitos de hielo con agua tibia y secarlo con un paño suave para evitar que nuevos cubitos de hielo se congelen en él.

Puede retirar el depósito para cubitos de hielo:

- Sujetar en las ranuras izquierda y derecha debajo del contenedor y retirarlo hacia adelante.

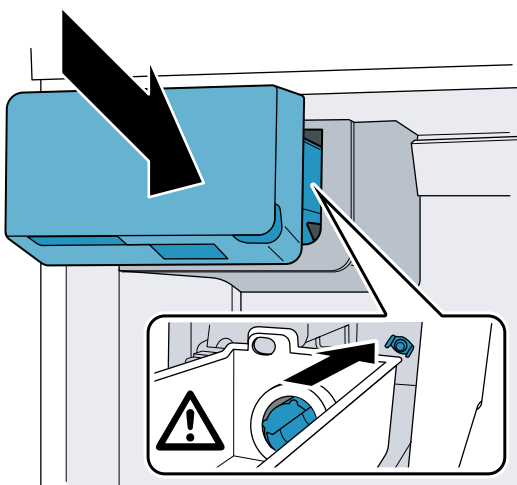


Puede colocar el depósito para cubitos de hielo:

- Colocar el depósito en la abertura y desplazar hacia atrás hasta que encaje.

#### Notas

- Si el depósito se bloquea al colocarlo, retire el exceso de hielo de la abertura.
- Al colocarlo, la posición de giro de la rosca transportadora en el contenedor y la de la abertura tienen que encajar bien.
- Si no es posible colocar el depósito, gire la rosca transportadora en el depósito e inténtelo de nuevo.



#### Filtro de agua

**Nota:** Después de insertar un nuevo filtro de agua, por motivos de higiene, desechar la producción de cubitos de hielo de las primeras 24 horas y dejar correr el agua durante 5 minutos.

El filtro de agua suministrado solo filtra partículas del agua y el sabor a cloro, pero no bacterias ni microbios.

Reemplace el filtro de agua:

- cada 6 meses
- cuando la tecla **change filter** se ilumine
- cuando el flujo de agua se ha reducido visiblemente

**Nota:** Puede obtener un nuevo filtro de agua en a través de nuestro servicio de atención al cliente, de su distribuidor o en nuestra página web.

Si usa un sistema externo de filtro de agua, puede utilizar el aparato también sin un filtro de agua interno. Para ello cambie el filtro de agua por un filtro con bypass:

- El filtro con bypass filtra partículas gruesas del agua potable y se puede limpiar en caso sea necesario.
- El filtro con bypass puede quedarse permanentemente en el aparato sin necesidad de cambiarse.
- Apague la alarma de cambio de filtro tan pronto como se encienda la tecla **change filter**.  
→ "Alarma de cambio de filtro" en la página 90

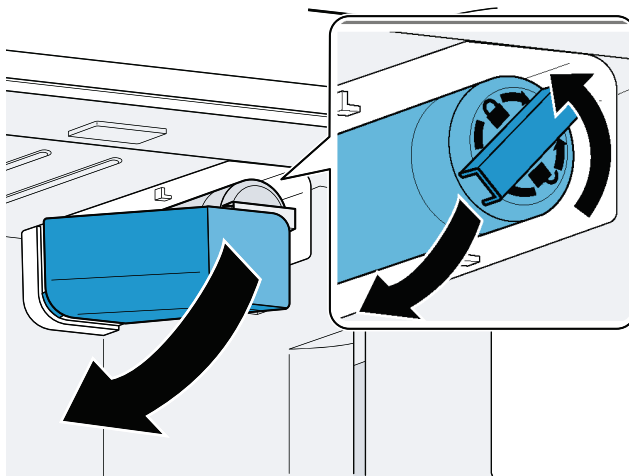
**Nota:** Puede obtener un filtro con bypass a través de nuestro servicio de atención al cliente o en nuestra página web.

#### Cambiar el filtro de agua o sustituirlo por un filtro con bypass:

##### Notas

- Al cambiarlo gotea un poco de agua del filtro. Secar las gotas de agua con un paño suave.
- Puede desechar el filtro usado con la basura del hogar.

1. Agarrar en la parte posterior de la ranura de la cubierta del filtro, desplazarla suavemente hacia adelante y moverla hacia abajo a la izquierda.
2. Girar el filtro unos 90° en sentido contrario de las manecillas del reloj y retirarlo.
3. Empujar el nuevo filtro en la apertura del filtro hasta el tope y girarlo unos 90° en sentido de las manecillas del reloj hasta el tope.
4. Mover nuevamente la cubierta del filtro hacia arriba a la derecha y empujar hacia atrás hasta el tope.



## Manejo del electrodoméstico

### Encender el aparato

1. Pulsar la tecla **power**.  
El aparato comienza a enfriar. La señal acústica se enciende y la tecla **alarm off** parpadea cuando la temperatura en el congelador es aún muy alta.
2. Pulsar la tecla **alarm off**.  
La alarma acústica se desactiva.
3. Ajustar la temperatura deseada.  
→ "Ajustar la temperatura" en la página 88

### Advertencias relativas al funcionamiento del aparato

- Después de encenderlo, el aparato puede necesitar varias horas hasta alcanzar las temperaturas ajustadas. No introducir alimentos en el aparato antes de alcanzar las temperaturas seleccionadas.
- Gracias al sistema automático NoFrost, el aparato permanece libre de heladas. No es necesario descongelarlo.
- Los lados frontales del compartimento se calientan en parte ligeramente. Esto evita la condensación en la zona de la junta de la puerta.

### Apagar y cerrar el aparato

#### Apagar el aparato

- Pulsar la tecla **power**.  
El aparato deja de enfriar.

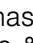
#### Desconectar el aparato

Cuando no utilice el aparato por un período prolongado:

1. Interrumpir el suministro de agua del aparato.
2. Retirar todos los alimentos del aparato.
3. Pulsar la tecla **power**.  
El aparato deja de enfriar.
4. Desenchufar el aparato o apagar el fusible.
5. Retirar el filtro de agua, vaciar el depósito de los cubitos de hielo y limpiar el aparato.  
→ "Limpiar" en la página 97
6. Dejar las puertas y cajones del aparato abiertos.

### Ajustar de la unidad de temperatura

Puede elegir entre las unidades °C y °F:


1. Pulsar la tecla **menu**.
2. Pulsar la tecla **°C/°F**.
3. Pulsar la tecla de ajustes  hasta que el indicador de ajustes muestre **°C** o **°F**.
4. Pulsar la tecla **menu**.  
El ajuste se guarda.

### Ajustar la temperatura


#### Temperatura recomendada

Compartimento refrigerador: 37 °F (3 °C)  
Congelador: 0 °F (-18 °C)

#### Compartimento refrigerador

- Pulsar la tecla  repetidas veces hasta que la indicación muestre la temperatura deseada.

#### Congelador

- Pulsar la tecla  repetidas veces hasta que la indicación muestre la temperatura deseada.

### Super frío

Mediante esta función se enfría el compartimento refrigerador hasta alcanzar la temperatura más baja posible.

Conectar la función de super frío, p. ej.:

- Antes de introducir grandes cantidades de alimentos.
- Para enfriar bebidas rápidamente.

**Nota:** Si está activada la función de super frío, el nivel sonoro del aparato puede aumentar.

Después de aproximadamente 6 horas, el aparato vuelve a funcionamiento normal.

Activar/desactivar la función de superfrío:

- Pulsar la tecla **\* super**.  
La tecla se ilumina cuando está activada la función de superfrío.

### Supercongelación

Durante la supercongelación el congelador enfría el compartimento a la temperatura ajustada más baja.

Activar la función de supercongelación, p. ej.:

- para congelar los alimentos rápidamente hasta el núcleo
- para aumentar la producción de cubitos de hielo

**Nota:** Si la función de supercongelación está activada, puede haber aumento de ruido.

Después de 8 horas el aparato vuelve automáticamente al funcionamiento normal.

Activar/desactivar la función de supercongelación:

- Pulsar la tecla **\* super**.  
La tecla se ilumina cuando está activada la función de supercongelación.



## Modo de ahorro energético

Con el modo de ahorro de energía el aparato pasa al funcionamiento de ahorro de energía.

El aparato ajusta automáticamente las siguientes temperaturas:

- Compartimento refrigerador: 43 °F (6 °C)
- Congelador: 6 °F (-14 °C)

Activar o desactivar el modo de ahorro de energía:

- Pulsar la tecla **eco**.  
Las temperaturas se cambian, el display muestra las nuevas temperaturas. Al apagar el modo de ahorro de energía, se ajusta la temperatura que se mostró la última vez.

## Modo fresco

Con el modo fresco los alimentos se pueden conservar durante más tiempo.

El aparato ajusta automáticamente la siguiente temperatura:

- Compartimento refrigerador: 36 °F (2 °C)

La temperatura en el congelador permanece invariable.

Activar o desactivar el modo fresco:

- Pulsar la tecla **fresh**.  
La temperatura se cambia, el display muestra la nueva temperatura. Al apagar el modo fresco, se ajusta la temperatura que se mostró por última vez.

## Modo vacaciones

En caso de ausentarse del hogar durante un período prolongado, puede conmutar el modo de funcionamiento de su aparato a la modalidad de funcionamiento vacaciones con reducido consumo energético.

El aparato ajusta automáticamente la siguiente temperatura:

- Compartimento refrigerador: 43 °F (6 °C)

La temperatura en el congelador permanece invariable.

Activar el modo vacaciones:

- Pulsar la tecla **vacation**.  
La temperatura se cambia, el display muestra la nueva temperatura.  
Vaciar depósito para cubitos de hielo por motivos de higiene.

Desactivar el modo vacaciones:

- Pulsar la tecla **vacation**.  
Se establece la última temperatura mostrada.  
Por motivos de higiene, dispensar el agua durante 5 minutos y desecharla.

## Modo Sabbat

Con este modo se desconectan todas las funciones que no son necesarias para que también pueda usar el aparato en Sabbat.

El aparato detiene lo siguiente:

- Superfrío y supercongelación
- Señales acústicas
- Iluminación interior
- Mensajes del panel
- Dispensador de agua
- Máquina de hielo

**Nota:** Durante el modo sabbat se reduce la luz de fondo de los paneles.

Activar el modo sabbat:

- Pulsar la tecla **vacation** durante 10 segundos y mantenerla pulsada hasta que suene una señal acústica.  
Cuando el modo sabbat está encendido, se ilumina la indicación **alarm**.

Apagar el modo sabbat:

- Pulsar el indicador **alarm** durante 5 segundos y mantenerlo pulsado hasta que suene una señal acústica.

**Nota:** Después de aproximadamente 72 horas, el aparato vuelve automáticamente al funcionamiento normal.

## Ajustar la iluminación


Puede ajustar los niveles de brillo de la iluminación interior de **0** hasta **5**:

**Nota:**

**0** = iluminación apagada

**1** = brillo mínimo

**5** = brillo máximo

1. Pulsar la tecla **menu**.
2. Pulsar la tecla **light settings**.  
El indicador del submenú muestra **In**.
3. Pulsar la tecla de ajustes  hasta que en la indicación de ajustes se muestre el nivel de brillo deseado.
4. Pulsar la tecla **menu**.  
El ajuste se guarda.

## Alarma de cambio de filtro

Si la alarma del cambio de filtro se activa, la tecla **change filter** se enciende. La alarma está diseñada para activarse cada 6 meses. Recomendamos cambiar el filtro de agua cada 6 meses.


**Nota:** El alto consumo de agua y hielo activa prematuramente la alarma del cambio de filtro.

Apagar la alarma de cambio de filtro:

1. Cambiar el filtro de agua o sustituirlo por un filtro con bypass.  
→ "Filtro de agua" en la página 87
2. Pulsar la tecla **change filter** y mantenerla pulsada durante 3 segundos.  
La alarma del cambio de filtro se apaga, la tecla **change filter** ya no está encendida. El temporizador del filtro de agua se restablece automáticamente.

Si reemplaza el filtro de agua antes de que se haya activado la alarma acústica del cambio de filtro, restablezca manualmente el temporizador del filtro de agua:

**Nota:**

- 1 = temporizador del filtro de agua funciona  
0 = restablecer el temporizador del filtro de agua
1. Pulsar la tecla **menu**.
  2. Pulsar la tecla **change filter**.
  3. Pulsar la tecla de ajustes  hasta que en la indicación de ajustes se muestre **0**.
  4. Pulsar la tecla **menu**.  
El ajuste se guarda.

## Activar o desactivar el bloqueo de tecla (seguro para niños) del dispensador de hielo y agua

El bloqueo de tecla protege el dispensador de hielo y agua contra un manejo involuntario:

**Nota:** Si el bloqueo de teclas está activado, no se podrá dispensar hielo o agua. La máquina de hielo sigue produciendo cubitos de hielo.

- Pulsar la tecla **lock** y mantenerla pulsada hasta que todas las barras de luz se enciendan.  
Se ha activado el bloqueo de teclas, la barra de luz de la tecla **lock** se ilumina. Al desactivar el bloqueo de teclas, se ilumina la barra de luz de la última tecla utilizada.

## Iluminación del dispensador de hielo y agua

**Nota:** Si no se dispensa hielo o agua por un algún tiempo, la iluminación del dispensador de hielo y agua se apaga.

Puede activar o desactivar de manera permanente la iluminación del dispensador de hielo y agua:

- Pulsar la tecla **light**.  
La iluminación del dispensador de hielo y agua se activa de manera permanente, la barra de luz de la tecla **light** se ilumina.

## Ajustar la cantidad de agua para el llenado de botellas

Puede ajustar la cantidad de agua determinada de fábrica para el llenado de botellas:

**Nota:** El tiempo máximo de llenado es de 60 segundos. Las barras de luz parpadean durante este proceso.

1. Pulsar la tecla **bottle fill**.
2. Coloque una jarra o una botella debajo de la salida del dispensador de agua.
3. Pulsar simultáneamente las teclas **bottle fill** y **crushed**, y mantenerlas pulsadas hasta que se haya dispensado la cantidad de agua deseada.  
Se ha preajustado la nueva cantidad de agua en la memoria. Cada vez que pulse la tecla **bottle fill** se dispensará esta cantidad de agua.

## Activar o desactivar el dispensador de hielo y agua y la máquina de hielo

Si no utiliza el dispensador de hielo y agua y la máquina de hielo por un tiempo prolongado:

- Pulsar las teclas **lock** y **light** y mantenerlas pulsadas hasta que todas las barras de luz se iluminen.  
Se desactivarán el dispensador de hielo y agua y la máquina de hielo. Al encenderlo se ilumina la barra de luz de la última tecla utilizada.

## Alarma

### Alarma de la puerta

Si la puerta del aparato permanece abierta durante más tiempo, se enciende la alarma acústica y la tecla **alarm off** parpadea.

Apagar la alarma de la puerta:

- Cerrar la puerta o pulsar la tecla **alarm off**.  
La alarma acústica se desactiva, la tecla **alarm off** ya no parpadea.

Puede activar y desactivar la alarma acústica de la puerta:

**Nota:**

**On** = activar la alarma acústica de la puerta

**OF** = desactivar la alarma acústica de la puerta

1. Pulsar la tecla **menu**.
2. Pulsar la tecla **alarm off**.
3. Pulsar la tecla de ajustes  hasta que el indicador de ajustes muestre **On** o **OF**.
4. Pulsar la tecla **menu**.  
El ajuste se guarda.

## Alarma de temperatura

La alarma acústica se activa y la tecla **alarm off** parpadea cuando la temperatura en el interior del congelador es demasiado elevada.

### ATENCION

DURANTE LA DESCONGELACIÓN DE LOS ALIMENTOS PUEDEN APARECER BACTERIAS QUE PUEDEN ECHAR A PERDER LOS ALIMENTOS.

No volver a congelar los alimentos que se hayan descongelado o empezado a descongelar.

Solo después de cocinarlos o freírlos, se podrán volver a congelar. El período máximo de almacenamiento ya no se podrá agotar.

**Nota:** La alarma de temperatura puede activarse en las siguientes ocasiones, sin que ello represente algún peligro de deterioro inmediato de los alimentos:

- El aparato se pone en funcionamiento.
- El congelador estuvo abierto por mucho tiempo.
- Se colocaron grandes cantidades de alimentos frescos en el interior.

Apagar la alarma de temperatura:

1. Asegurarse de que se ha corregido la causa para la alarma de temperatura.
2. Pulsar la tecla **alarm off**.  
La alarma acústica se apaga y el indicador de temperatura del congelador muestra brevemente la temperatura más elevada registrada en el congelador. A continuación, la pantalla muestra de nuevo la temperatura ajustada. La temperatura más elevada se vuelve a determinar y guardar.

**Nota:** La tecla **alarm off** permanece iluminada hasta que se ha alcanzado de nuevo la temperatura ajustada.

## Home Connect

Este aparato funciona con wifi y puede controlarse de forma remota a través de un dispositivo móvil.

**Nota:** Wi-Fi es una marca registrada de Wi-Fi Alliance.

El aparato funciona sin conexión a la red doméstica y se puede seguir manejando manualmente a través de los mandos:

- El aparato no está conectado a una red doméstica.
- El servicio Home Connect no se ofrece en el país en el que está instalado el aparato. Encontrará una lista de los países en los que se ofrece Home Connect en [www.home-connect.com](http://www.home-connect.com).

**Nota:** Tenga en cuenta las indicaciones de seguridad de este manual. Asegúrese de respetarlas también cuando utiliza el aparato mediante la aplicación Home Connect desde fuera de casa.

→ "Indicaciones de seguridad importantes" en la página 70

Observe también las indicaciones de la aplicación Home Connect.

## Configurar Home Connect

### Notas

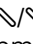
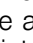
- Tenga en cuenta la hoja adjunta de Home Connect que está disponible para su descarga en <http://www.bosch-home.com> en la sección de las instrucciones. Para ello, introduzca en el cuadro de búsqueda el número de producto (E-Nr.) de su aparato.
- Después de encender el aparato, esperar al menos dos minutos, hasta que concluya la inicialización interna del mismo. Configurar Home Connect una vez concluida.
- Para poder establecer los ajustes a través de Home Connect, la aplicación Home Connect debe estar instalada en su dispositivo móvil. Para ello, tener en cuenta la documentación adjunta de Home Connect.

Siga los pasos indicados en la aplicación para establecer los ajustes.

- Si el aparato no se utiliza durante un tiempo prolongado, el menú Home Connect se cierra automáticamente. Las indicaciones para abrir el menú Home Connect se encuentran al principio de los capítulos correspondientes.

### Conexión automática a la red doméstica WLAN (Wi-Fi)

Si dispone de un router con la función WPS, el refrigerador puede conectarse automáticamente con la red doméstica.

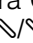
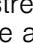
1. Pulsar la tecla **menu**.  
La tecla **connect** se ilumina. El indicador del submenú muestra **Cn**.
2. Pulsar la tecla  del submenú hasta que el indicador del submenú muestre **AC** y el indicador de ajustes muestre **OF**.
3. Pulsar la tecla de ajustes .  
El aparato está listo para la conexión automática. El indicador de ajustes muestra una animación durante 2 minutos.  
Mientras se visualiza la animación, el aparato está listo para la conexión automática.
4. En esos 2 minutos active la función WPS en el router (p. ej., pulsando la tecla WPS, tener en cuenta la información de la documentación del router al respecto).  
Al conectarse con éxito, parpadeará **On** en el indicador de ajustes.  
El refrigerador está listo para conectarse a la aplicación.

**Nota:** Cuando el indicador de ajustes muestra **OF**, no se ha podido establecer una conexión.

1. Comprobar que el refrigerador se encuentre dentro del alcance de la red doméstica WLAN (Wi-Fi).
2. Repetir el proceso o realizar la conexión manual.

### Conexión manual a la red doméstica WLAN (Wi-Fi)

Si el router existente no dispone de una función WPS o se desconoce, puede conectar el refrigerador manualmente a la red doméstica WLAN (Wi-Fi).


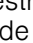
1. Pulsar la tecla **menu**.  
La tecla **connect** se ilumina. El indicador del submenú muestra **Cn**.
2. Pulsar la tecla  del submenú hasta que el indicador del submenú muestre **SA** y el indicador de ajustes muestre **OF**.
3. Pulsar la tecla de ajustes .  
El aparato está listo para la conexión manual. El indicador de ajustes muestra una animación. Mientras se visualiza la animación, el aparato está listo para la conexión manual.
4. El refrigerador ha creado ahora su propia red doméstica WLAN (Wi-Fi) con el nombre de red HomeConnect.  
Puede acceder a esta red con el dispositivo móvil.

5. Seguir las instrucciones de la aplicación hasta que el proceso haya finalizado.
  - Al conectarse con éxito, parpadeará **On** en el indicador de ajustes.  
El aparato se conecta automáticamente con la aplicación.
  - Si en el indicador de ajustes aparece **OF**, no se ha podido establecer una conexión.  
Comprobar que el refrigerador se encuentre dentro del alcance de la red doméstica WLAN (Wi-Fi).  
Repetir el proceso.

### Conectar el refrigerador con la aplicación Home Connect

Al realizar la configuración por primera vez, el aparato se conecta automáticamente con la aplicación después de que se haya establecido una conexión con la red doméstica WLAN (Wi-Fi).


Si el aparato no se conecta de forma automática con la aplicación, conectar el aparato de forma manual:

1. Pulsar la tecla **menu**.  
La tecla **connect** se ilumina. El indicador del submenú muestra **Cn**.
2. Pulsar la tecla  del submenú hasta que el indicador del submenú muestre **PA** y el indicador de ajustes muestre **OF**.
3. Pulsar la tecla de ajustes  para conectar el aparato con la aplicación.  
El indicador de ajustes muestra una animación. En cuanto el refrigerador y la aplicación estén conectados, el indicador de ajustes muestra **On**.
4. Abrir la aplicación y esperar hasta que se muestre el refrigerador.  
Con **Añadir** confirmar la conexión entre la aplicación y el refrigerador.  
Si el refrigerador no se muestra automáticamente, hacer clic en la aplicación en **Añadir aparato** y seguir las instrucciones. En cuanto se muestre el refrigerador, añadirlo con **+**.
5. Seguir las instrucciones de la aplicación hasta que el proceso haya finalizado.  
El indicador del submenú muestra **PA** y el de ajustes **On**.  
El refrigerador se ha conectado con la aplicación. Si la conexión falla, comprobar si el dispositivo móvil está conectado con la red doméstica WLAN (Wi-Fi).  
A continuación intentar nuevamente establecer la comunicación.  
Cuando en el indicador de ajustes aparezca **Er**, restablecer los ajustes de Home Connect.

**Nota:** Al restablecer la configuración se restablecen todos los ajustes de Home Connect.



## Comprobar la intensidad de la señal

Debe comprobar la intensidad de la señal cuando no funcione el establecimiento de la conexión.

1. Pulsar la tecla **menu**.  
La tecla **connect** se ilumina. El indicador del submenú muestra **Cn**.
2. Pulsar repetidamente la tecla  del submenú hasta que el indicador del submenú muestre **SI**. En el indicador de ajustes aparece un valor entre 0 (no hay recepción) y 3 (recepción completa).  
El valor de intensidad de la señal debería ser 2 como mínimo. Si la intensidad de la señal es demasiado baja, puede interrumpirse la conexión.
  - Coloque el router y el refrigerador más cerca uno de otro.
  - Asegúrese de que la conexión no está interrumpida por paredes de apantallamiento.
  - O bien instale un repetidor para intensificar la señal.

## Restablecer los ajustes de Home Connect

Si al intentar establecer la conexión se produce un problema o si desea registrar el aparato en otra red doméstica WLAN (Wi-Fi), los ajustes de Home Connect pueden restablecerse:

1. Pulsar la tecla **menu**.  
La tecla **connect** se ilumina. El indicador del submenú muestra **Cn**.
2. Pulsar la tecla  del submenú hasta que el indicador del submenú muestre **rE** y el indicador de ajustes muestre **OF**.
3. Pulsar la tecla de ajustes .  
El indicador de ajustes muestra una animación durante 15 segundos.  
A continuación, la indicación de ajustes muestra **OF**.  
Se han restablecido los ajustes de Home Connect.

## Instalar la actualización de software de Home Connect

El refrigerador comprueba en intervalos regulares si existen actualizaciones para el software de Home Connect.

Si está disponible una actualización, el indicador del submenú muestra **UP**:

- Confirme la actualización en la aplicación Home Connect.  
No apagar el refrigerador durante la actualización.  
El indicador de ajustes muestra una animación.  
La actualización se está instalando.

**Nota:** Durante la instalación todas las teclas están bloqueadas.

- Una vez finalizada correctamente la instalación, el indicador de ajustes muestra **On**.
- Si la instalación no ha finalizado correctamente, el indicador de ajustes muestra **Er**.  
Volver a iniciar la actualización posteriormente.  
Si la instalación no se ha podido completar después de muchos intentos, notificar al Servicio de atención al cliente.

Pulsando cualquier tecla, la indicación se restablece a la temperatura establecida.

## Indicaciones sobre protección de datos

Al conectar por primera vez su aparato Home Connect a una red doméstica asociada a internet WLAN (Wi-Fi), el aparato transmite las siguientes categorías de datos al servidor Home Connect (registro inicial):

- Identificación unívoca del aparato (compuesta por la clave del aparato y la dirección MAC del módulo de comunicación Wi-Fi utilizado).
- Certificado de seguridad del módulo de comunicación Wi-Fi (para la protección técnica de la información de la conexión).
- Las versiones actuales del software y hardware del electrodoméstico.
- El estado de un posible restablecimiento previo a los ajustes de fábrica.

El registro inicial prepara la utilización de las funciones Home Connect y solo es necesario la primera vez que se vayan a utilizar las funciones Home Connect.

**Nota:** Tenga en cuenta que las funciones Home Connect solo se pueden utilizar en conexión con la aplicación Home Connect. Se puede consultar la información relativa a la protección de datos en la aplicación Home Connect.

## Diagnóstico remoto

El Servicio de Atención al cliente puede acceder a su aparato a través del Diagnóstico Remoto si se pone en contacto con dicho Servicio, su aparato está conectado con el servidor Home Connect y si el Diagnóstico Remoto está disponible en el país en el que se utiliza el aparato.

**Nota:** Para más información, así como para consultar la disponibilidad del servicio de Diagnóstico Remoto en un país en concreto, consultar la página web de ayuda/servicio técnico local: [www.home-connect.com](http://www.home-connect.com)

## Compartimento refrigerador

El compartimento refrigerador es el lugar ideal para guardar carne, embutido, pescado, productos lácteos, huevos y platos cocinados, así como productos de panadería.

La temperatura se puede ajustar de +33 °F (+1 °C) a +43 °F (+6 °C).

Con la conservación en frío también puede conservar a corto y medio plazo alimentos perecederos. Una temperatura de +39 °F (+4 °C) o más baja es óptima para la frescura e higiene de los alimentos guardados.

### Contenedor para verduras

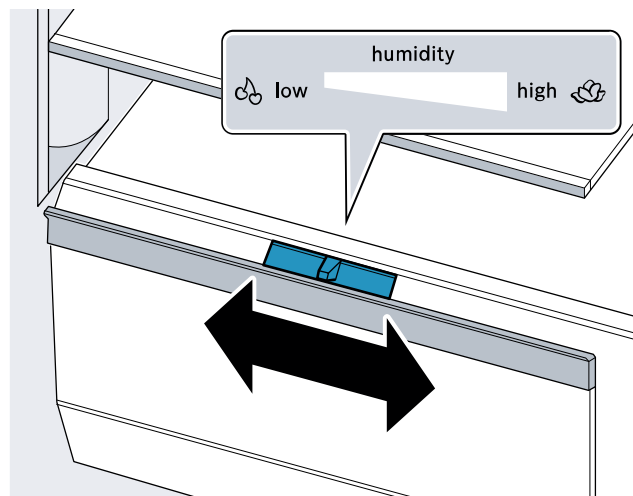
El contenedor para verduras es el lugar ideal para guardar frutas y verduras frescas. En el contenedor para verduras, la humedad del aire se puede ajustar a través de un mando regulador de la placa separadora y un cierre especial.

La humedad del aire en el contenedor para verduras se puede ajustar de acuerdo con el tipo y la cantidad de alimento que se vaya a almacenar:

- principalmente fruta, así como una gran cantidad de alimentos – ajustar un menor nivel de humedad del aire
- principalmente verdura, alimentos diversos o una pequeña cantidad de alimentos – ajustar un mayor nivel de humedad del aire

#### Notas

- Las frutas (por ejemplo, piñas, plátanos, papayas y cítricos) y las verduras (berenjenas, pepinos, calabacines, pimientos, tomates y patatas) sensibles al frío deberán guardarse fuera del aparato a una temperatura de aprox. +46 °F ... +54 °F (+8 °C ... +12 °C), a fin de conservar óptimamente su calidad y sabor.
- Dependiendo de la cantidad y el tipo de productos almacenados se puede formar agua de condensación en el contenedor para verduras. Retire el agua de condensación con un paño seco y ajuste la humedad del aire en el contenedor para verduras a través del regulador de humedad.



### Contenedor de almacenamiento frío

En el contenedor de almacenamiento frío reinan temperaturas más bajas que en el compartimento refrigerador. Se pueden presentar temperaturas inferiores a +32 °F (0 °C).

Ideal para guardar pescados, carnes y embutidos. No es apropiado para guardar lechugas y verduras ni alimentos sensibles al frío.

### Puntos a observar al guardar los alimentos

- Guarde alimentos frescos y en perfectas condiciones. De este modo conservarán su calidad y frescura durante más tiempo.
- En el caso de productos precocinados o alimentos envasados, deberán observarse las fechas de caducidad o de consumo señaladas por el fabricante.
- Para conservar el aroma, color y frescura, guarde los alimentos bien envueltos o cubiertos. De esta manera se evita la mezcla de olores y sabores, así como la descoloración de las piezas de plástico.
- Dejar enfriar los alimentos o bebidas calientes hasta una temperatura ambiente antes de introducirlos en el compartimento refrigerador.

## Congelador

El congelador es adecuado para:

- El almacenamiento de alimentos congelados
- La producción de cubitos de hielo
- Congelar alimentos

La temperatura se puede ajustar de 6 °F (-14 °C) a -7 °F (-22 °C).

Mediante el almacenamiento en congelación, puede conservar los alimentos perecederos durante largo tiempo sin que sufran prácticamente pérdidas en su calidad, debido a que las bajas temperaturas ralentizan fuertemente o incluso detienen los procesos de deterioro. La apariencia, el aroma y todos los ingredientes valiosos se conservan, en su mayor parte.

El intervalo de tiempo entre el almacenamiento de los alimentos frescos y la congelación total depende de los siguientes factores:

- temperatura ajustada
- tipo de alimento
- Cantidad de alimentos guardados en el congelador
- Cantidad y tipo del almacenamiento

## Dispensador de hielo y agua

Del dispensador de hielo y agua puede obtenerse:

- agua fría
- hielo triturado
- cubitos de hielo

Para lograr la producción máxima de cubitos de hielo (hasta 12 lb (5,4 kg) en un periodo de 24 horas):

- El aparato se tiene que instalar conforme a las instrucciones de montaje.
- Se debe ajustar el congelador a la temperatura más fría.
- Se tiene que vaciar el depósito de cubitos de hielo cada 3 horas.

Los resultados pueden variar dependiendo de las condiciones de utilización, p. ej., a través:

- del número de aperturas de la puerta
- de la carga de los alimentos
- de la temperatura y humedad del entorno
- de la presión del agua y del estado del filtro de agua

## Antes del primer uso

### ATENCION

Para evitar daños por agua en el suelo o en el aparato, no dispense nunca agua sin que haya un vaso debajo.

**Nota:** El dispensador de hielo y agua solo funciona cuando el aparato está conectado a una línea de agua potable y se ha insertado un filtro.

- Tras conectar el aparato o insertar un nuevo filtro de agua, hay aire en el circuito de agua. Dejar correr el agua hasta que ya no quede ninguna burbuja de aire. Secar con un paño suave las salpicaduras de agua.
- Por motivos de higiene dejar correr el agua durante 5 minutos y desechar la producción de cubitos de hielo de las primeras 24 horas.

### Tener en cuenta la calidad del agua potable

Todos los materiales empleados en la fabricación del dispensador de hielo y agua son inodoros y neutrales al gusto.

Si el agua presenta un sabor, esto puede deberse a las siguientes causas:

- Contenido de minerales y cloro del agua potable
- Material de la tubería de agua hacia el aparato
- Calidad del agua potable

**Nota:** Si no dispensa agua durante un tiempo prolongado, esta puede saber a agua estancada. Dispensar agua durante mínimo 5 minutos y desechar.

La mejor calidad del agua se obtiene dispensando un poco de agua con regularidad.

### Informaciones relativas al funcionamiento del dispensador de hielo y agua

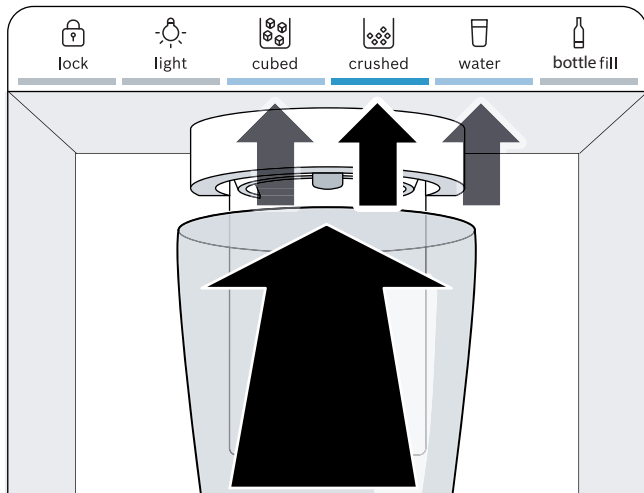
- Si la puerta del aparato está abierta, el dispensador de hielo y agua se detiene y se activa el bloqueo de teclas.
- Para evitar que se dispense agua permanentemente de manera accidental, el dispensador de agua y hielo se detiene automáticamente al cabo de un tiempo de salir agua. Espere un par de segundos para volver a dispensar agua o hielo.
- Después de dispensar algunas veces consecutivamente, el dispensador de agua y hielo se detiene automáticamente. Espere unos minutos para volver a dispensar agua o hielo.
- Para evitar que el hielo caiga al suelo, mantenga el vaso directamente debajo de la abertura del dispensador de hielo al tomar hielo triturado.
- Si cambia de la tecla **crushed** a la tecla **cubed** puede salir un poco de hielo triturado al dispensar.

- La temperatura del agua dispensada es la adecuada para beber. Si desea una temperatura más baja del agua, añada cubitos de hielo al vaso.
- En caso de dispensarse grandes cantidades de agua, esta puede salir más caliente.
- Si los cubitos de hielo saben desabridos, deseche los cubitos de hielo restantes y los que se produzcan en las próximas 24 horas. Si después de eso los cubitos de hielo siguen sabiendo desabridos, cambie el filtro del agua.
- Revise con regularidad la bandeja de goteo y limpie si es necesario.  
→ "Limpiar" en la página 97

## Dispensar hielo o agua

**Nota:** Mantenga siempre el vaso directamente bajo la apertura del dispensador.

1. Pulse la tecla **cubed**, la tecla **crushed** o la tecla **water**.
2. Presione un vaso contra la palanca dispensadora hasta que obtenga la cantidad deseada de hielo o agua en el vaso.



## Opción de llenado de botella

Puede dispensar una cantidad de agua determinada con la opción de llenado de botella:

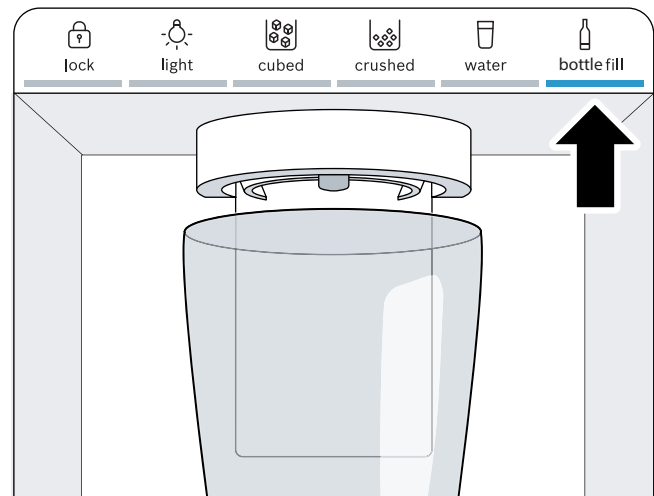
**Nota:** La cantidad de agua determinada de fábrica es aprox. 17 fl oz (0,5 l).

→ "Ajustar la cantidad de agua para el llenado de botellas" en la página 90

1. Pulsar la tecla **bottle fill**.
2. Coloque una jarra o una botella debajo de la apertura del dispensador de agua.
3. Pulsar la tecla **bottle fill**.  
Se dispensará el llenado de botella.

### Notas

- Para interrumpir el dispensador, pulse cualquier tecla del dispensador de hielo y agua.
- Para volver a dispensar el llenado de botella, pulsar la tecla **bottle fill**.
- Si no se ha dispensado el llenado de botella durante un tiempo prolongado, el dispensador cambia a la tecla **water**.



## Descongelación

Debido al sistema completamente automático NoFrost, el aparato permanece libre de escarcha. No es necesario descongelarlo.



## Limpiar

### ATENCION

EVITAR DAÑOS AL APARATO Y PIEZAS DEL EQUIPAMIENTO.

- No utilizar detergentes y disolventes que contengan arena, cloro o ácidos.
- No emplear esponjas abrasivas. En las superficies metálicas podría producirse corrosión.
- No limpiar nunca las bandejas y recipientes en el lavavajillas. Las piezas pueden deformarse.

### ATENCION

EVITAR DAÑOS EN EL APARATO.

- No utilizar limpiadores para acero inoxidable en la parte exterior del aparato.
- Testee todos los productos de limpieza o solventes en una pequeña superficie antes de que los utilice en todo el aparato.

## Limpiar el interior del aparato

Proceder como se indica a continuación:

1. Pulsar la tecla **power**.
2. Desenchufar el aparato o apagar el fusible.
3. Retirar los alimentos y guardarlos en un lugar fresco.

Cuando estén disponibles: coloque acumuladores de frío sobre los alimentos.

4. Limpiar el aparato con un paño suave, agua tibia y un poco de detergente para platos con pH neutro.

### ATENCION

Tener presente que el agua empleada en la limpieza del aparato no debe entrar en contacto con las iluminaciones.

5. Limpiar la junta de la puerta con agua limpia y secarla bien.
6. Volver a conectar el aparato, encenderlo e introducir los alimentos.

## Limpiar los accesorios

Para la limpieza, extraer los elementos desmontables del aparato.

→ "Equipamiento" en la página 84

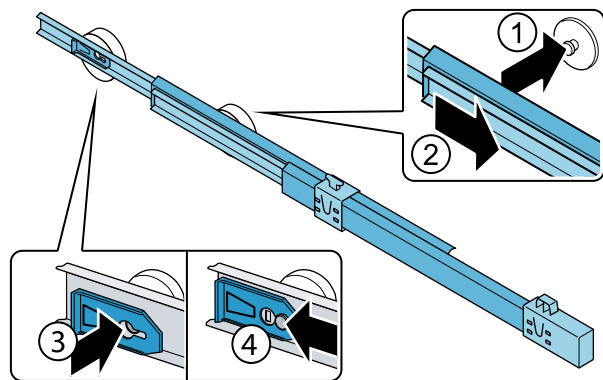
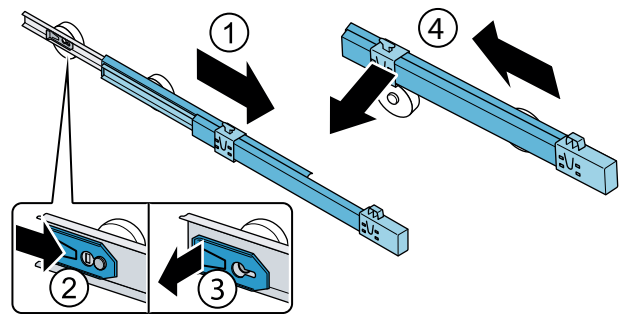
## Carriles telescópicos

### Desmontar los carriles telescópicos

1. Extraer el carril telescópico.
2. Desplazar el bloqueo en la dirección que marca la flecha.
3. Soltar el carril telescópico del tirafondo posterior.
4. Replegar el carril telescópico, desplazarlo hacia atrás por encima del tirafondo posterior y desenclavarlo.

### Montar los carriles telescópicos

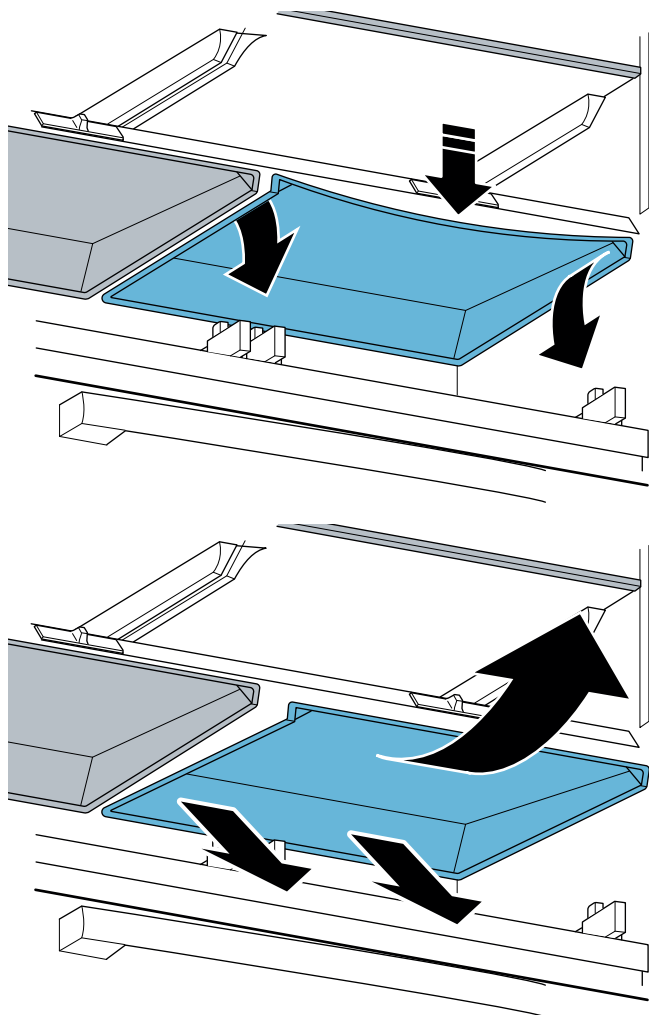
1. Montar el carril telescópico en posición desplegada sobre el tirafondo delantero.
2. Tirar del carril telescópico ligeramente hacia delante para hacerlo enclavar.
3. Montar el carril en el tirafondo posterior.
4. Desplazar el bloqueo hacia atrás.



### Tapa del contenedor para verduras

#### Retirar la tapa:

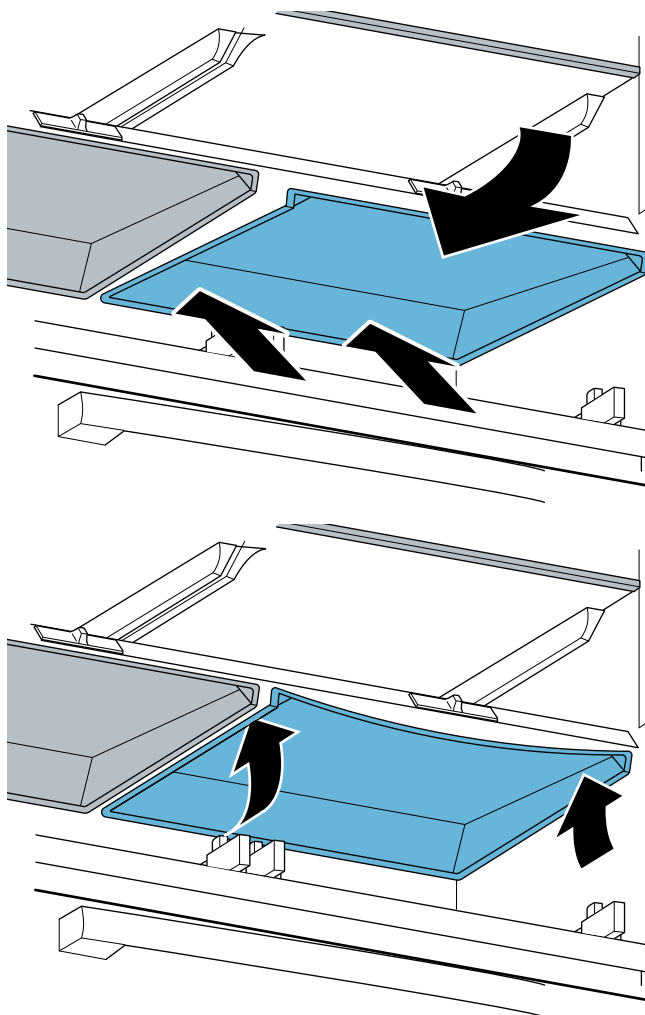
1. Extraer el contenedor para verduras.
2. Doblar la tapa central y ligeramente hacia abajo y desenganchar el otro lado por la parte frontal.
3. Desenganchar por la parte frontal la otra parte de la tapa.
4. Desenganchar la tapa por la parte posterior y retirarla.



#### Montar la tapa:

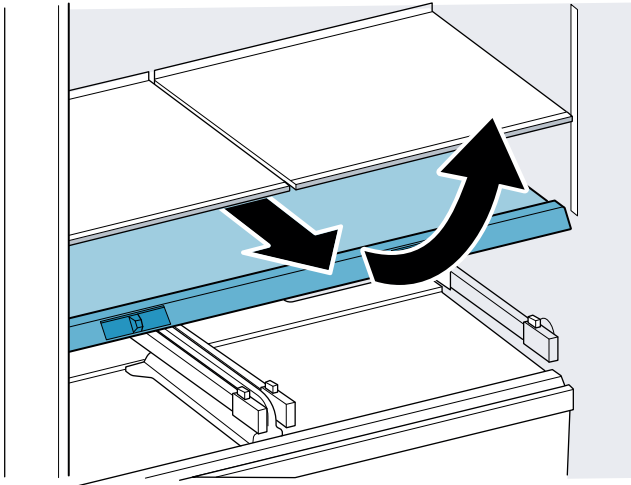
1. Enganchar la tapa por la parte posterior.
2. Enganchar de un lado la tapa por la parte frontal.
3. Doblar la tapa central y ligeramente hacia abajo y enganchar el otro lado por la parte frontal.

**Nota:** Si la cubierta se sigue doblando, mueva el regulador de humedad para que la tapa encaje.



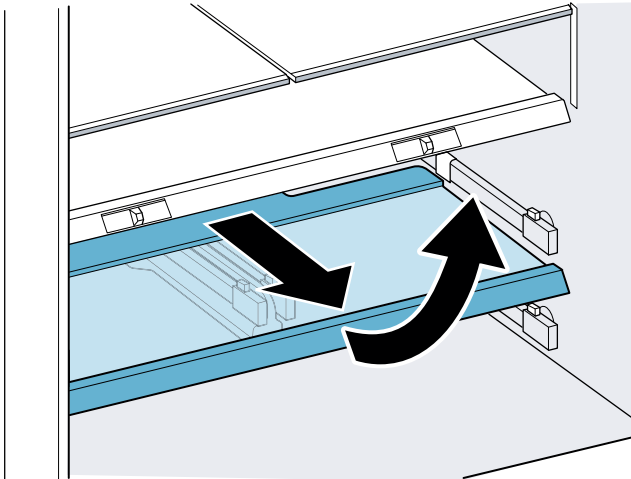
### Bandeja encima del cajón de la verdura

1. Extraer hasta el tope el contenedor para verduras.
2. Levantar la bandeja por la parte delantera y extraerla.



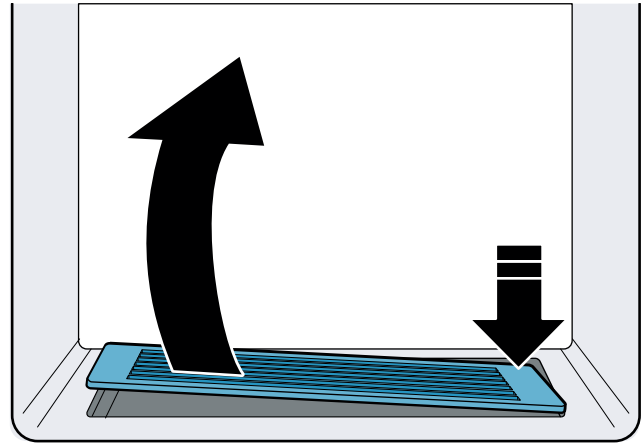
### Bandejas sobre el contenedor de almacenamiento frío

1. Desplazar el contenedor de almacenamiento frío hasta el tope.
2. Levantar la bandeja por la parte delantera y extraerla.



### Bandeja de goteo

1. Presionar hacia abajo la rejilla de goteo en la esquina superior derecha y retirar.
2. Secar las gotas de agua con un paño suave y limpiar la bandeja de goteo con agua tibia.
3. Volver a colocar la rejilla de goteo.



## Olores

En caso de detectar olores desagradables:

1. Apagar el aparato con la tecla **⏻** power.
2. Retirar todos los alimentos del aparato y buscar si es que hay alimentos podridos o derramados.
3. Limpiar el interior del aparato. → "Limpiar" en la página 97
4. Envasar herméticamente los alimentos que desarrollen un fuerte olor.
5. Encender el aparato de nuevo.
6. Acomodar los alimentos.
7. Verificar después de 24 horas si hay olores de nuevo.

## Iluminación

Su aparato está equipado con una iluminación LED exenta de mantenimiento.

Sólo el Servicio al cliente o el personal autorizado puede reparar la iluminación.

## Ruidos

### Ruidos normales

**Zumbido:** Un motor está en marcha, por ejemplo, unidad de refrigeración, ventilador; la válvula de agua está activado.

**Burbujear, zumbar o borbotear:** el refrigerante fluye a través de los tubos.

**Cliquear:** el motor, el interruptor, las válvulas de solenoide o la válvula de agua se encienden o se apagan.

**Crujir:** Se está realizando la descongelación automática.

**Ruidos:** se producen cuando los cubitos de hielo listos caen en el depósito de los cubitos de hielo.

### Evitar ruidos

**El aparato está desnivelado:** Nivelar el aparato.  
→ "Nivelar el aparato" en la página 75

**El aparato "roza algo":** Asegúrese de que el aparato no roce con ninguna superficie y que se respeten las mínimas distancias de separación prescritas.  
→ "Distancias mínimas" en la página 74

**Los recipientes, bandejas o estantes vibran o están atascados:** Verificar los elementos desmontables y, en caso necesario, colocarlos nuevamente.

**Las botellas o recipientes entran en contacto mutuo:** Separar un poco las botellas o los recipientes.

## ¿Qué hacer en caso de averías?

Antes de ponerse en contacto con el servicio de atención al cliente, intente solucionar la avería, utilizando esta tabla.

### Aparato

#### El aparato se ha sobreenfriado o los alimentos están demasiado fríos.

Se ha ajustado una temperatura demasiado baja.

Eleve la temperatura.

#### El aparato no enfría o los alimentos están muy calientes.

La puerta o el cajón no se cierran correctamente.

Verifique si el aparato está nivelado.  
→ "Nivelar el aparato" en la página 75  
Compruebe que no hayan alimentos o accesorios que obstruyen la puerta o el cajón.  
Verifique si las juntas de las puertas están dañadas.

Se ha ajustado una temperatura demasiado elevada.

Disminuya la temperatura.

Las aberturas de ventilación están bloqueadas.

Retire todo tipo de alimento que esté bloqueando las aberturas de ventilación.

La puerta o el cajón se ha abierto con frecuencia o se ha mantenido abierto durante un periodo prolongado.

Espere al menos 2 horas para que la temperatura del aparato se enfríe.

El aparato se encuentra en el Modo de ahorro energético o en el Modo vacaciones.

Verifique si es que el aparato se encuentra en el Modo de ahorro energético o en el Modo vacaciones.

Se ha colocado una gran cantidad de alimentos frescos en el interior.

Espere al menos 2 horas para que la temperatura del aparato se enfríe.

El aparato se encuentra en el Modo de exposición.

Si la iluminación interior y los controles del aparato se iluminan sin que se muestre un mensaje de avería, el aparato se encuentra en el Modo de exposición. Iniciar la autoprueba del aparato.  
→ "Autoprueba del aparato" en la página 103  
Espere al menos 2 horas para que la temperatura del aparato se enfríe. En caso de que el aparato aún no se enfríe, póngase en contacto con el servicio de atención al cliente.  
→ "Servicio de Atención al Cliente" en la página 103

**No se ilumina ninguna indicación.**

El enchufe no está correctamente insertado.	Compruebe si es que ambos extremos del cable de conexión se encuentran introducidos correctamente en la parte posterior del aparato, así como en la toma de corriente.
El fusible se ha activado.	Verifique la caja de fusibles.
Se interrumpió el suministro eléctrico.	Verificar si hay corriente en la toma de corriente.

**El indicador muestra E....**

El sistema electrónico ha detectado una fallo de funcionamiento.	Apagar el aparato y desenchufarlo o desactivar el fusible. Si después de volver a conectar el aparato el error persiste, póngase en contacto con el servicio de atención al cliente. → "Servicio de Atención al Cliente" en la página 103
--	--

**La tecla alarm off parpadea y suena una señal acústica de aviso.**

	Pulsar la tecla <b>alarm off</b> . La alarma está desactivada.
La puerta o el cajón no están correctamente cerrados.	Cerrar la puerta o el cajón. Compruebe que no hayan alimentos o accesorios que obstruyen la puerta o el cajón.
La temperatura en los compartimentos es demasiado elevada	Las aberturas de ventilación en el panel posterior del compartimento refrigerador y del congelador están bloqueadas. Retire todo tipo de alimento que esté bloqueando las aberturas de ventilación.  Si se ha llenado el compartimento con alimentos frescos, espere mínimo 2 horas hasta que la temperatura en el aparato sea fría.

**Dispensador de hielo y agua****El dispensador de hielo y agua no funciona.**

El dispensador de hielo y agua está desconectado.	Conectar el dispensador de hielo y agua. → "Activar o desactivar el dispensador de hielo y agua y la máquina de hielo" en la página 90
El dispensador de hielo y agua está bloqueado.	Desbloquear el dispensador de hielo y agua. → "Activar o desactivar el bloqueo de tecla (seguro para niños) del dispensador de hielo y agua" en la página 90
La puerta o el cajón no están correctamente cerrados.	Cerrar la puerta o el cajón. Compruebe que no hayan alimentos o accesorios que obstruyen la puerta o el cajón.
Los cubitos de hielo pueden pegarse y bloquear el dispensador o la máquina de hielo.	<ol style="list-style-type: none"> <li>1. Abra la puerta. Verifique por dentro si es que cubitos de hielo obstruyen los canales de hielo.</li> <li>2. Retire cuidadosamente con una cuchara de palo los cubitos de hielo que bloquean los canales de hielo.</li> </ol>
Se producen y dispensan cubitos de hielo, pero no agua.	Asegúrese de que la alimentación de agua esté conectada. Apagar el aparato y desenchufarlo o desactivar el fusible. Si después de volver a conectar el aparato el error persiste, póngase en contacto con el servicio de atención al cliente. → "Servicio de Atención al Cliente" en la página 103
No hay alimentación de agua.	Compruebe la conexión de agua, asegúrese de que la alimentación de agua esté activada y póngase en contacto con un instalador.
La presión del agua es demasiado baja.	Conectar el aparato solo a líneas con suficiente presión de agua. → "Conexión a la toma de agua" en la página 81  Si se ha instalado un sistema externo de filtro de agua a la conexión de agua del aparato, instale un filtro con bypass. Puede obtener un filtro con bypass a través de nuestro servicio de atención al cliente o en nuestra página web. → "Filtro de agua" en la página 87  El filtro de agua está bloqueado o se tiene que reemplazar.

<b>El dispensador de hielo y agua no funciona.</b>	
Hay un doblez en la manguera de agua.	Cerrar el suministro de agua, enderezar el doblez. En caso necesario, cambiar la manguera de agua.
Del dispensador gotea agua.	Puede ser que haya aire ocluido en el sistema de agua. Para extraer el aire, dispensar agua durante mínimo 5 minutos y desechar. Vuelva a repetir este paso en caso de que siga goteando agua. Es normal que después de dispensar goteen un par de gotas de agua. Para reducir esto, extraiga el vaso lentamente del dispensador. El hielo restante se derrite en los canales del dispensador. Asegúrese de que no hayan trozos o pedazos de hielo en nicho de hielo.
El dispensador de hielo y agua no tiene corriente.	Apagar el aparato y desenchufarlo o desactivar el fusible. Si después de volver a conectar el aparato el error persiste, póngase en contacto con el servicio de atención al cliente. → "Servicio de Atención al Cliente" en la página 103
<b>La producción de cubitos de hielo es baja.</b>	
Se acaba de enchufar el aparato.	Puede demorar varias horas hasta que finalice la primera producción de cubitos de hielo. → "Máquina de hielo" en la página 86
Se acaba de dispensar una gran cantidad de cubitos de hielo.	Puede demorar algunas horas hasta que el depósito de cubitos de hielo vuelva a llenarse.
La presión del agua es demasiado baja.	Conectar el aparato solo a líneas con suficiente presión de agua. → "Conexión a la toma de agua" en la página 81
La puerta o el cajón se ha abierto con frecuencia o se ha mantenido abierto durante un periodo prolongado.	Espere al menos 2 horas para que la temperatura del aparato se enfríe.
<b>No hay producción de cubitos de hielo.</b>	
El dispensador de hielo y agua está desconectado.	Conectar el dispensador de hielo y agua. → "Activar o desactivar el dispensador de hielo y agua y la máquina de hielo" en la página 90
No se ha cerrado correctamente el depósito para cubitos de hielo.	Compruebe de que el depósito de cubitos de hielo esté montado correctamente. → "Depósito para cubitos de hielo" en la página 86
No hay alimentación de agua	Compruebe la conexión de agua, asegúrese de que la alimentación de agua esté activada y póngase en contacto con un instalador. Apagar y volver a encender el aparato. Comprobar al cabo de 2 horas si es que se producen cubitos de hielo.  Apagar el aparato y desenchufarlo o desactivar el fusible. Si después de volver a conectar el aparato el error persiste, póngase en contacto con el servicio de atención al cliente. → "Servicio de Atención al Cliente" en la página 103
<b>Sale agua del aparato.</b>	
La conexión de la línea de alimentación de agua está agujerada.	Compruebe que las conexiones estén firmemente apretadas y la manguera de agua se encuentre en buen estado. En caso necesario, cambiar la manguera de agua.
Se ha instalado un nuevo filtro.	Al cambiarlo gotea un poco de agua del filtro. Secar las gotas de agua con un paño suave. → "Filtro de agua" en la página 87
La bandeja de goteo del dispensador está rebosando.	Revise con regularidad la bandeja de goteo y limpie si es necesario. → "Limpiar" en la página 97
Cualquier otra causa.	Póngase en contacto con el servicio de atención al cliente. → "Servicio de Atención al Cliente" en la página 103

## Servicio de Atención al Cliente

Antes de llamar al Servicio de Atención al Cliente compruebe si usted mismo puede eliminar la avería o fallo.

En caso de no poder reparar la avería, póngase en contacto con el Servicio de atención al cliente. Siempre encontramos una solución adecuada.

US	1-800-944-2904	gratuito
CA	1-800-944-2904	

Al llamar, por favor, indique el número de producto (E-Nr.) y el número de fabricación (FD) de su unidad, que se encuentran en la placa de características del aparato.

→ *"Familiarizándose con el aparato"*  
en la página 82

### Autoprueba del aparato

Su aparato dispone de un programa automático de autoprueba que le indica las fallas, que su Servicio al cliente puede solucionar.

1. Pulsar la tecla **ⓘ power**.
  2. Desenchufar el aparato o apagar el fusible, y esperar 5 minutos.
  3. Encender el aparato de nuevo.
  4. Dentro de los primeros 2 minutos pulsar la tecla **menu** y mantenerla pulsada durante 10 segundos hasta que suene una señal acústica.  
Arranca el programa de autocomprobación.  
Durante la autocomprobación suena una señal acústica prolongada.
- Si al finalizar la autocomprobación suenan 2 señales acústicas y se muestra la temperatura ajustada, su aparato se encuentra en perfecto estado.
  - Si al finalizar la autocomprobación suenan 5 señales acústicas y la indicación de ajustes muestra **Er**, notificar al Servicio de atención al cliente.

Una vez concluido el programa, el aparato volverá al modo de funcionamiento normal.

### Declaración de garantía

Informaciones detalladas sobre la garantía las encontrará en la declaración de la garantía limitada del producto adjunta.



**BSH Home Appliances Corporation**

1901 Main Street, Suite 600,  
Irvine CA 92614, USA

**[www.bosch-home.com](http://www.bosch-home.com)**



**8001188554** (0006)  
en-us, fr-ca, es-mx