

Fit speed and style just about anywhere

2014 24" Compact Laundry Brochure



BOSCH

Invented for life





Commitment to quality. That's the thinking behind Bosch's German-engineered compact 24" washer and dryer. The matching laundry units are the optimal luxury upgrade to any home. As the European market leader for washing machines*, our laundry products offer the perfect combination of function and style.

Design

Design options

The Bosch compact laundry pairs feature matching washer and dryer designs across the different series. The series specific design accents include white, silver or chrome control knobs, buttons and door ring.



Axxis+ Washer
WAP24202UC



Axxis+ Dryer
WTB86202UC

LED Control Panel

The sleek design is apparent in the larger LED control panel which is easier to read and operate.



Bosch Magneto

The compact laundry units feature the iconic Bosch Magneto*.



*On Axxis and Axxis+ models only.

Design step up features



Ascenta Washer
WAP24200UC



Ascenta Dryer
WTB86200UC



Axxis® Washer
WAP24201UC



Axxis® Dryer
WTB86201UC



Axxis+ Washer
WAP24202UC



Axxis+ Dryer
WTB86202UC

Ascenta Series	Axxis	Axxis+
White design accents	+ Silver design accents	+ Chrome design accents
Stainless steel structured drum for washer	+ Stainless steel structured drum for washer and dryer	+ Interior light for dryer
Large LED display	+ Bosch Magneto on the door	
	+ Reversible dryer door	

Installation

Flexible and easy installation

Combining simple installation with a compact form, Bosch gives you the flexibility to place the washer in an area that's most convenient for the home. You can install your laundry appliances stacked, side by side, on 16" pedestals, in a closet or under a counter.



Reversible Door

Selected Bosch dryers offer the option of a reversible door to enhance ease of use and multiple installation choices.



Ventless Installation

Offering the latest technology on the market, condensation drying condenses the moisture in the hot air and releases it through the water drain via an internal pump. This way, no ducting and no blower or venting are necessary to help expel hot air. With no ducting to be installed, this makes installation easy, fast and cost-effective.

Flexible Accessories

- WTZ20410 – Stationary Stacking Kit
- WTZ11400 – Stacking Kit with Pull Out Tray
- WMZ20490 – Washer Pedestal
- WMZ20500 – Dryer Pedestal

Installation cost savings

Bosch compact washers and dryers not only offer space savings due to their size and the way they are installed, but they also offer cost savings.

- No additional power cord needed** \$
Additional savings for the need of a power cord.
- No additional plugs needed** \$\$
With the washer plugging into the dryer and only requiring one outlet, the installation of a second plug or wall mount kit is no longer needed.
- No ducting needed** \$\$
Condensation drying provides the flexibility of installation options without installing ducting.
- No leak risk** \$\$\$
With the AquaStop® and AquaShield® water leak protection systems, cost savings on the need of a smitty pan and potential floor damage.



Quality

Dirty to dry in 30 minutes

With a 15 minute wash and 15 minute dry cycle, Bosch laundry offers the fastest combined wash and dry time in the industry. Can be used on any small, lightly soiled load, such as 5 dress shirts.

Large capacity

Even with a small footprint, our washer features a larger capacity and holds more than most. At 2.16 cubic feet the units have the capability to wash and dry 18 large bath towels. An expansive viewing window and lightweight door make loading and unloading a snap.



ENERGY STAR® compliant

All Bosch compact washers are ultra-efficient. In fact, they exceed ENERGY STAR® requirements by up to 20%.

AquaShield®

The AquaShield System consists of a special double-walled feed hose and safety valve which provides protection against water damage.

AquaStop®

The AquaStop System consists of the AquaShield double-walled feed hose, a safety valve and a floor tank with float switch to provide extensive protection against water damage. A smitty pan is no longer required to protect floors from water damage.

Quiet operation

The Anti-Vibration system encompasses 3D sensors in Bosch washers that monitor the load weight and movement of the drum in three dimensions to eliminate imbalances. Additionally, the circular tub design reinforces the structure of the sidewall and increases the stability of the washer. This structure combined with enhanced insulation regulate noise levels and reduce vibration up to 30%*, making Bosch washers very quiet throughout the entire wash cycle.

Raindrop structured drum

Bosch washers feature an innovative raindrop drum pattern that delivers a tailored solution for all fabric types, for powerful cleaning that protects your clothes. Depending on the cycle, the washer adjusts the direction of the drum rotation, using the steeper edges for heavy duty or shallow edges for delicate fabrics that require gentler care.



Compact washers

WAP24200UC



Ascenta

- 2.16 cu.ft. (15.4 lbs) capacity
- Stainless steel raindrop structured drum
- Anti-vibration system
- ENERGY STAR® qualified

WAP24201UC



Axxis®

- + 2.16 cu.ft. (17.6 lbs) capacity
- + Silver design highlights: Dial, buttons, door trim
- + AquaShield® Water Safety System
- + Premium window design: Bosch Magneto

WAP24202UC



Axxis+

- + Chrome design highlights: Dial, buttons, door trim
- + Super Quick 15 minute cycle
- + AquaStop® Exclusive Water Safety System
- + Mixed load cycle

Compact dryers

WTB86200UC



Ascenta

- 4.0 cu.ft. (15.4 lbs) capacity
- Washer plugs into the dryer
- 15 Programs / 6 Options
- Rigid anti-vibration circular side walls

WTB86201UC



Axxis®

- + 4.0 cu.ft. (17.6 lbs) capacity
- + Silver design highlights: Dial, buttons, door trim
- + Premium window design: Bosch Magneto
- + Reversible door

WTB86202UC



Axxis+

- + Chrome design highlights: Dial, buttons, door trim
- + Interior drum light
- + Super Quick 15 minute program

Compact Washer Technical Details

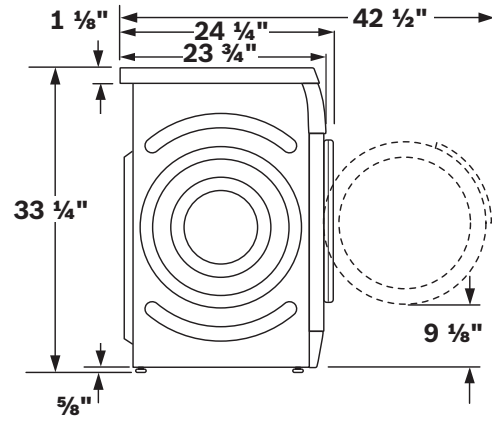
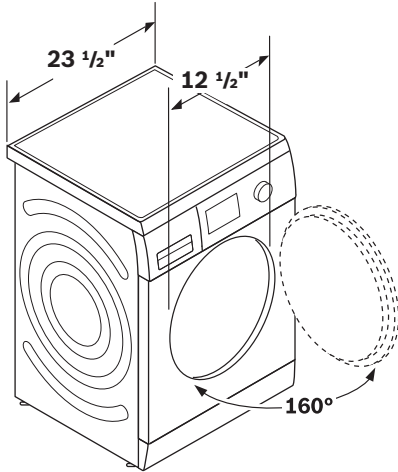
Series	Ascenta Washer	Axxis® Washer	Axxis® Plus Washer
Color			
White	WAP24200UC	WAP24201UC	WAP24202UC
Core Features			
Capacity DOE (cu ft)	2.16 cu ft	2.16 cu ft	2.16 cu ft
Washing Capability	16 towels	18 towels	18 towels
Spin Speed	1,200 rpm	1,200 rpm	1,200 rpm
Silence Rating – Washing	59 dBA	59 dBA	59 dBA
Number of Wash Cycles	15	15	15
Number of Wash Options	6	6	6
Efficiency			
ENERGY STAR® Qualified	■	■	■
Energy Use	135 kWh/y	135 kWh/y	135 kWh/y
CEE Tier	II	II	II
Modified Energy Factor (MEF)	2.3	2.3	2.3
Water Factor (WF)	4.3	4.3	4.3
Annual Water Consumption (gallons/year)	3,640	3,640	3,640
Design Elements			
Display	Large LED Display	Large LED Display	Large LED Display
Cabinet	White	White	White
Dial and Buttons	White	Silver	Chrome
Door	White	Silver	Chrome
Bosch Magneto	■	■	■
Drum	Stainless Steel, Structured Drum	Stainless Steel, Structured Drum	Stainless Steel, Structured Drum
Cycles	15	15	15
Cotton Normal	■	■	■
Cotton Heavy Soil	■	■	■
Cotton Light Soil	■	■	■
Permanent Press	■	■	■
Permanent Press Heavy Soil	■	■	■
Permanent Press Light Soil	■	■	■
Sanitary	■	■	■
Jeans	■	■	■
Quick Wash 30 min	■	■	■
Heavy Duty	■	■	■
Delicates	■	■	■
Woolens/Hand wash	■	■	■
Active Wear	■	■	■
Anti-shrink	■	■	■
Towels	■	■	■
Super Quick 15 min	■	■	■
Mixed	■	■	■
Whitest Whites	■	■	■
Maintenance	■	■	■
Spin/Drain	■	■	■
Rinse	■	■	■
Options	6	6	6
Easy Iron	■	■	■
Extra Rinse	■	■	■
Prewash	■	■	■
Temperature Selection	■	■	■
Spin Speed Selection	■	■	■
Delay Start	■	■	■
Advanced Features			
AquaStop® Leak Protection	■	■	■
AquaShield® Leak Protection	■	■	■
Reinforced Water Supply Hoses	■	■	■
Anti-vibration Design	■	■	■
3D Sensor	■	■	■
Control Types	Electronic	Electronic	Electronic
Raindrop Structured Drum	■	■	■
Internal Water Heater	■	■	■
Self-cleaning Detergent Drawer	■	■	■
Sensor Controlled Washing	■	■	■
Adjustable Signal	■	■	■
Dimensions			
Product HxWxD	33 ¼" x 23 ½" x 24 ¼"	33 ¼" x 23 ½" x 25"	33 ¼" x 23 ½" x 25"
Packaging HxWxD	34 ¼" x 25 ¼" x 26 ¾"	34 ¼" x 25 ¼" x 26 ¾"	34 ¼" x 25 ¼" x 26 ¾"
Minimum Staking Height	67 ¾"	67 ¾"	67 ¾"
Leveling Legs/Height Adjustment Range	Yes, ½"	Yes, ½"	Yes, ½"
Weight	170 lb	170 lb	170 lb
Shipping Weight	173 lb	173 lb	173 lb
Door Opening (Angle)	160°	180°	180°
Technical Information			
Supply Voltage	208/240 V	208/240 V	208/240 V
Frequency	60 Hz	60 Hz	60 Hz
Amperage	12 A	12 A	12 A
Required Circuit Amperage when Washer	30 A	30 A	30 A
Connected Load	2,300 W	2,300 W	2,300 W
Plug Included	240V 3-prong	240V 3-prong	240V 3-prong
Plug into Dryer	■	■	■
Plug Type	NEMA 6-15 (3 prong)	NEMA 6-15 (3 prong)	NEMA 6-15 (3 prong)
Power Cord Included	Yes	Yes	Yes
Power Cord Length	61"	61"	61"
Drain Hose Length	57"	57"	57"
Inlet Hose Length	47"	59"	59"

Compact Dryer Technical Details

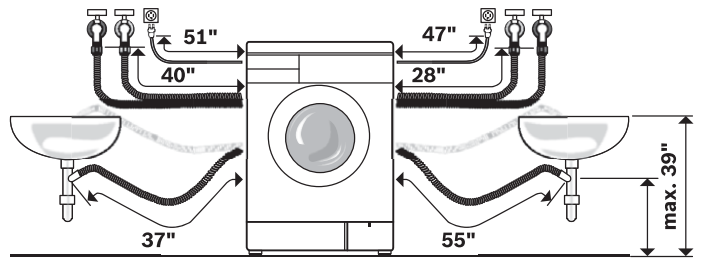
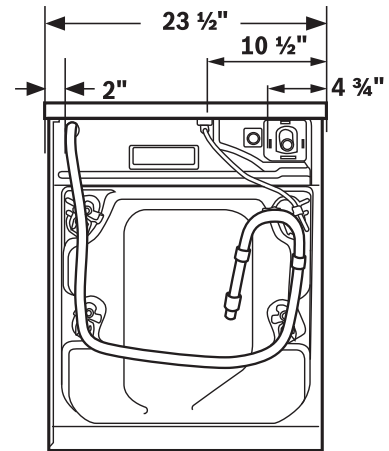
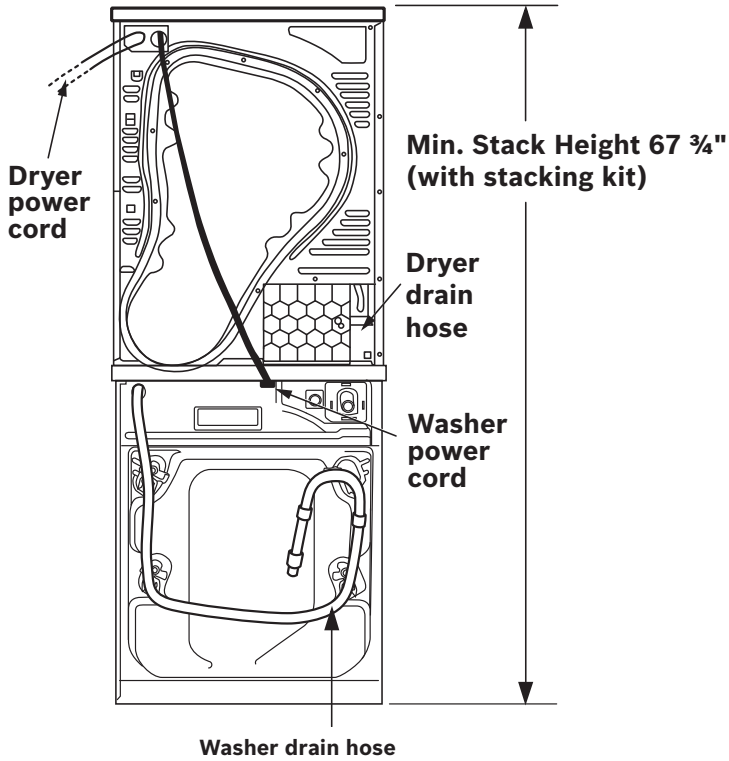
Series	Ascenta Condensation Dryer	Axxis® Condensation Dryer	Axxis® Plus Condensation Dryer
Color			
White	WTB86200UC	WTB86201UC	WTB86202UC
Core Features			
Capacity (cu ft)	4.0 cu ft	4.0 cu ft	4.0 cu ft
Drying Capability	16 towels	18 towels	18 towels
Silence Rating	65 dBA	65 dBA	65 dBA
Number of Drying Programs	15	15	15
Number of Drying Options	6	6	6
Design Elements			
Display	Large LED Display	Large LED Display	Large LED Display
Cabinet	White	White	White
Dial and Buttons	White	Silver	Chrome
Door	White	Silver	Chrome
Bosch Magneto	■	■	■
See-thru Door	■	■	■
Drum	Galvalume Drum	One Piece Stainless Steel, Structured Drum	One Piece Stainless Steel, Structured Drum
Programs	15	15	15
Cotton Extra Dry	■	■	■
Cotton Dry (Regular)	■	■	■
Cotton Damp	■	■	■
Permanent Press Extra Dry	■	■	■
Permanent Press Dry	■	■	■
Permanent Press Damp	■	■	■
Sanitary	■	■	■
Jeans	■	■	■
Quick Dry	■	■	■
Air Fluff/No Heat	■	■	■
Time Dry	■	■	■
Time Program 40 Hot	■	■	■
Delicates	■	■	■
Heavy Duty	■	■	■
Super Quick 15 min	■	■	■
Active Wear	■	■	■
Anti-shrink	■	■	■
Woolens	■	■	■
Towels	■	■	■
Iron Dry	■	■	■
Mixed	■	■	■
Options	6	6	6
Time Dry	■	■	■
Dry Level	■	■	■
Finished in	■	■	■
Low Heat	■	■	■
WrinkleBlock®	■	■	■
Signal	■	■	■
Advanced Features			
Control Types	Electronic	Electronic	Electronic
Unique Structured Drum	■	■	■
WrinkleBlock®	Up to 60 min	Up to 60 min	Up to 60 min
Fully Electronic Moisture Sensor	■	■	■
Reversible Door	■	■	■
Interior Light	■	■	■
Lint Filter Indicator	■	■	■
Dimensions			
Product HxWxD	33 ¼"x 23 ½"x 25"	33 ¼"x 23 ½"x 25"	33 ¼"x 23 ½"x 25"
Packaging HxWxD	34 ¼"x 25 ¼"x 26 ¾"	34 ¼"x 25 ¼"x 26 ¾"	34 ¼"x 25 ¼"x 26 ¾"
Minimum Staking Height	67 ¾"	67 ¾"	67 ¾"
Leveling Legs/Height Adjustment Range	Yes, ¾"	Yes, ¾"	Yes, ¾"
Weight	99 lb	99 lb	99 lb
Shipping Weight	101 lb	101 lb	101 lb
Door Opening (Angle)	180°	180°	180°
Technical Information			
Supply Voltage	208/220-240 V	208-240 V	208-240 V
Frequency	60 Hz	60 Hz	60 Hz
Connected Load	2,800 W	2,800 W	2,800 W
Amperage	13 A	13 A	13 A
Required Circuit Amperage	30 A	30 A	30 A
Air-Flow-Intake	118 CFM (200 m³/h)	118 CFM (200 m³/h)	118 CFM (200 m³/h)
Plug Included	NEMA 14-30 (4-prong)	NEMA 14-30 (4-prong)	NEMA 14-30 (4-prong)
Type	Electric	Electric	Electric
Drain Pump and Hose	Yes, Dryer and Washer Drain Hoses Routed Together	Yes, Dryer and Washer Drain Hoses Routed Together	Yes, Dryer and Washer Drain Hoses Routed Together

Dimensions and Installation

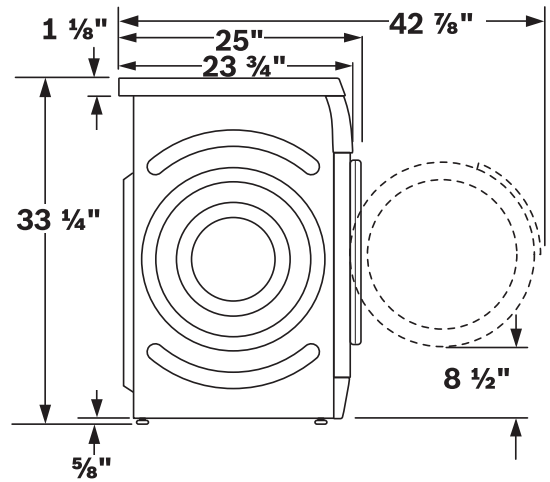
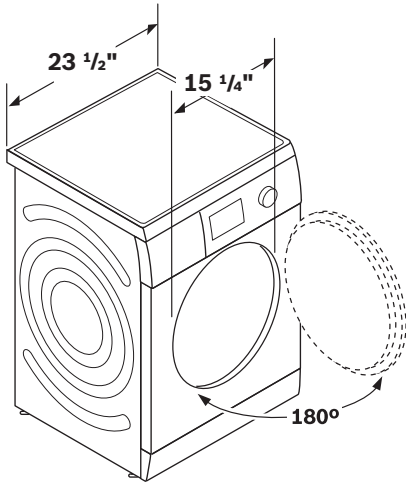
Ascenta Washer - WAP24200UC



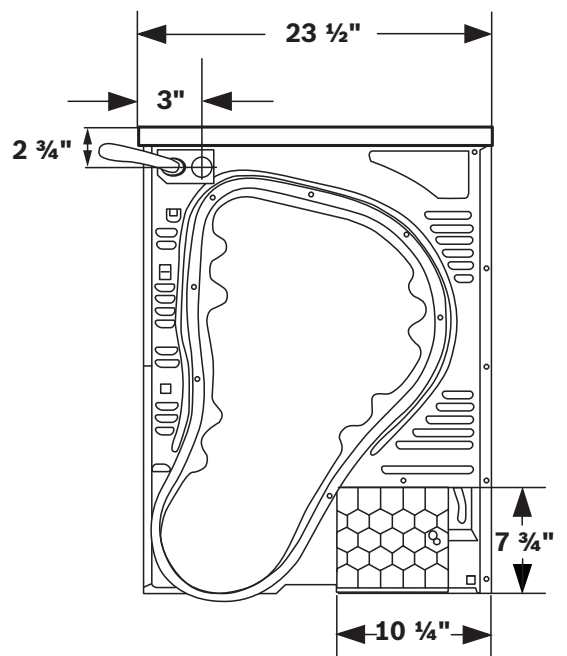
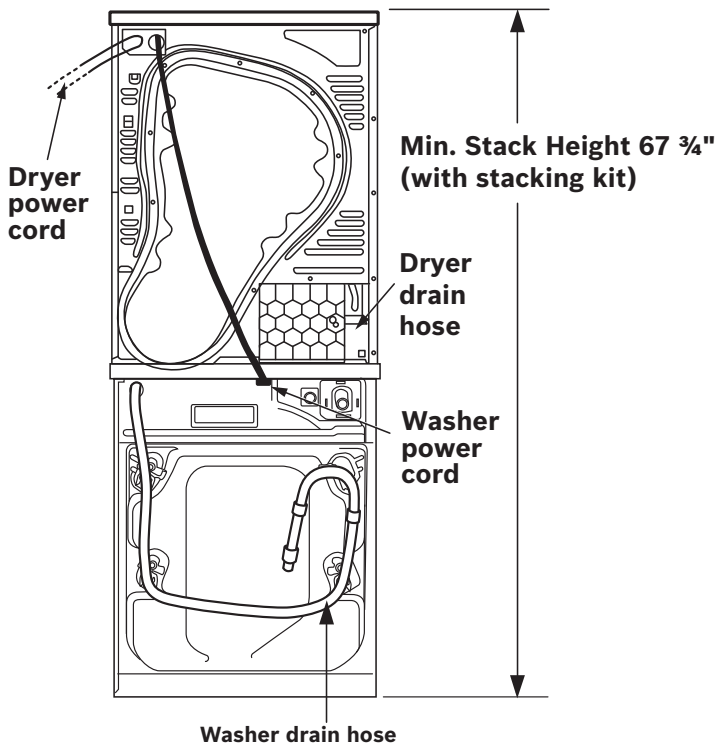
Washer plugged into the dryer



Ascenta Dryer - WTB86200UC

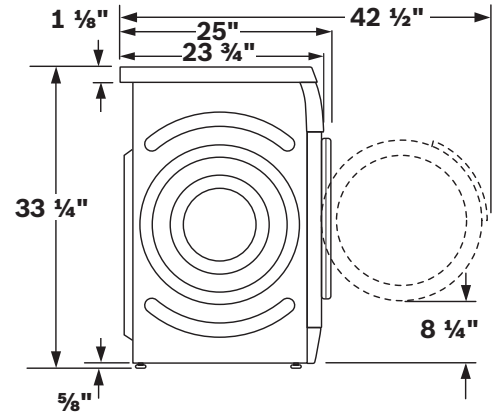
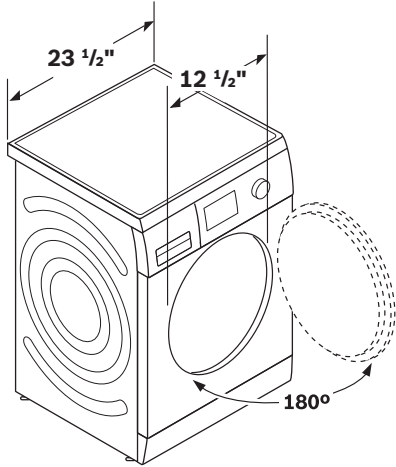


Washer plugged into the dryer

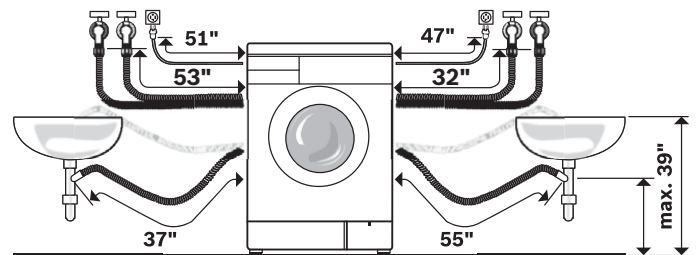
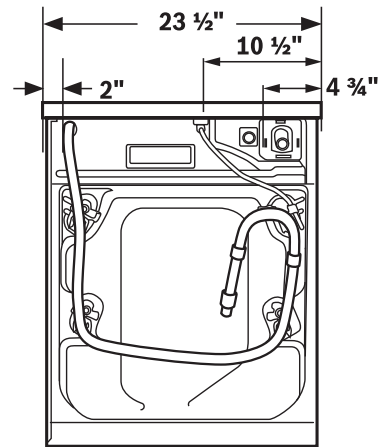
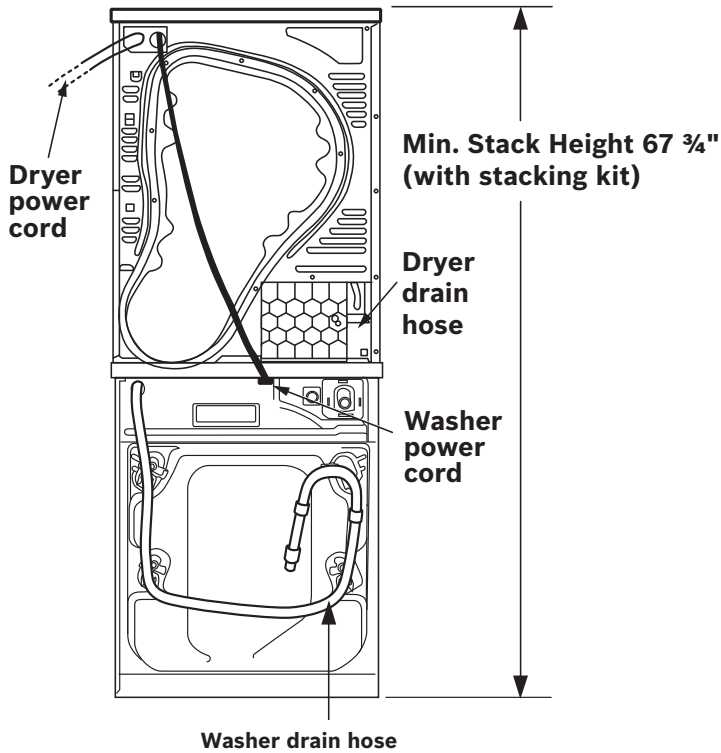


Dimensions and Installation

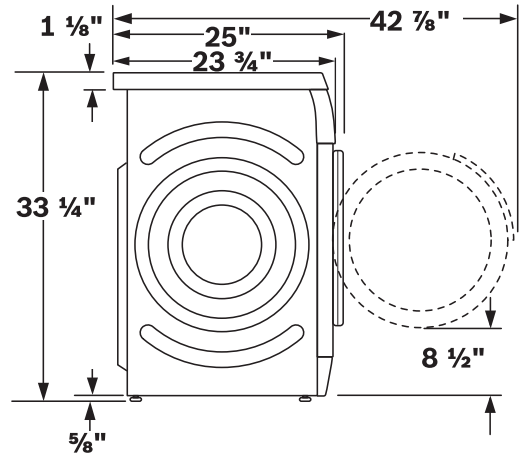
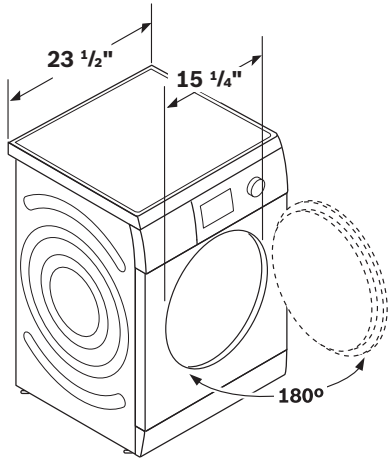
Axxis® (WAP24201UC) and Axxis® + (WAP24202UC) Washer



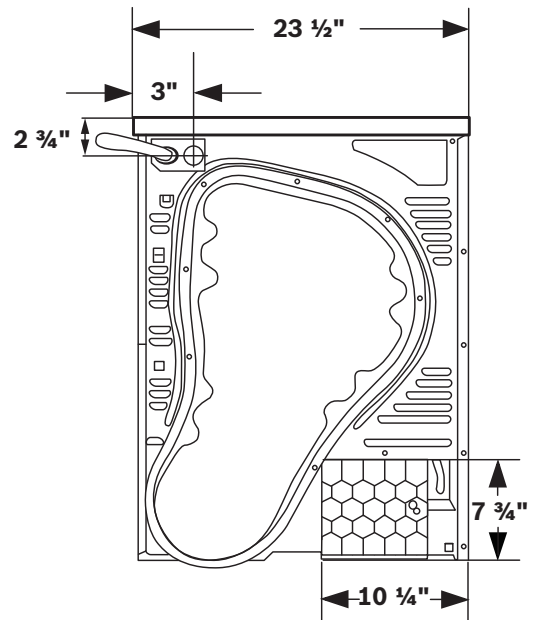
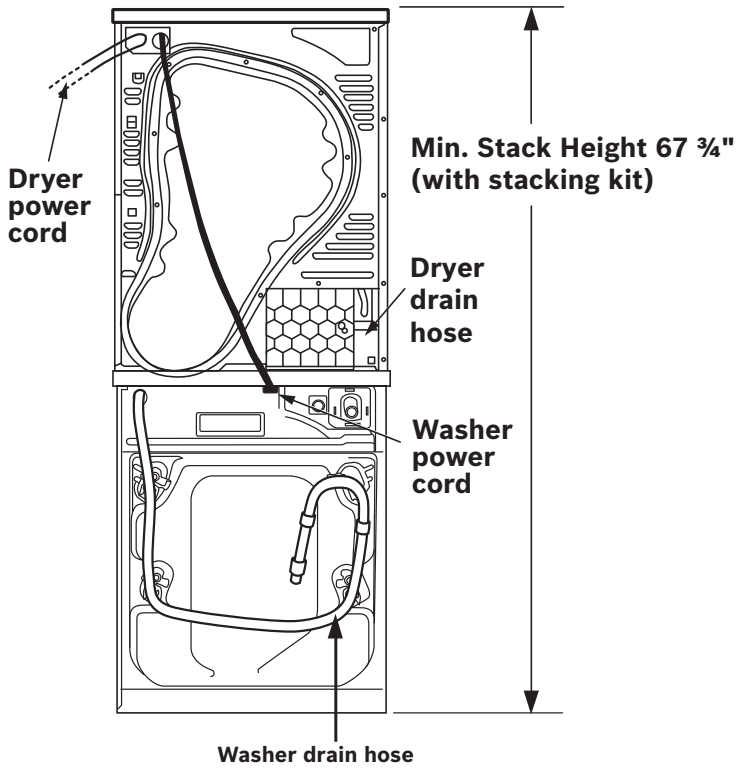
Washer plugged into the dryer



Axxis® (WTB86201UC) and Axxis® + (WTB86202UC) Dryer



Washer plugged into the dryer

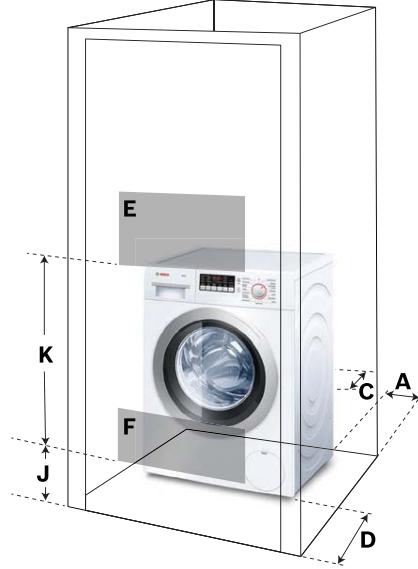


Dimensions and Installation

Closet: Stacked



Closet: Stand Alone (shown) or Side by Side



Clearance requirements (Minimum)

A Both Sides	5/8 in.
B Top	6 1/4 in.
C Rear	3 1/4 in.
D Front	3 1/2 in.

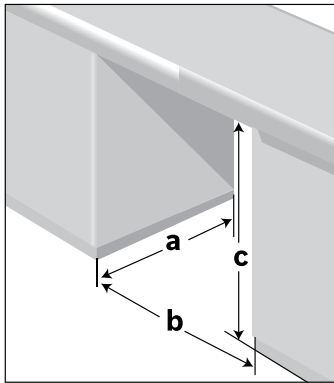
Ventilation Area (Minimum)

E Top	63 sq. in.
F Bottom	63 sq. in.

Vent Spacing

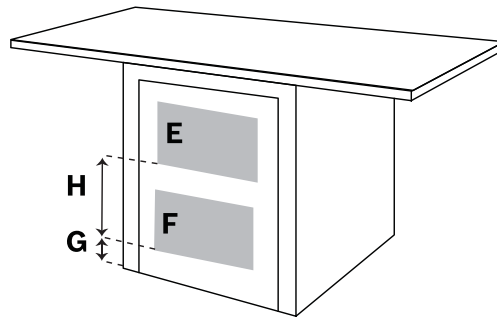
G	37 in.
H	26 in.
J	3 in.
K	29 in.

Under Counter: (Preferred)



Front of the appliance fully open.
No doors or coverings.

Under Counter: (Less Preferred)



If front of the appliance is covered,
ventilation openings must be installed.

Minimum opening dimensions

a	23 7/8 in.
b	23 7/8 in.
c	33 1/2 in.

E & F are minimum area sizes

E	63 sq. in.
F	63 sq. in.

G & H actual spacing dimensions for min. open area sizes

G	3 in.
H	14 in.

ADA Compliant

Bosch washer and dryers are ADA compliant and offer easy to access doors when they are installed on pedestals.







BOSCH

Invented for life

Bosch Home Appliances

1901 Main Street, Suite 600

Irvine, CA 92614

1.800.944.2904

www.bosch-home.com/us (U.S.)

www.bosch-home.ca (Canada)

©2014 BSH Home Appliances Corporation. ©2014 BSH Home Appliances Ltd.
All rights reserved. Bosch is a registered trademark of Robert Bosch GmbH.
All information presented herein is based on data available at the time of printing
and is subject to change without notice.

BSH#14-BOS-0308 4/14 PF