

**Ovens**
**30" Single Wall Oven  
500 Series - Stainless Steel  
HBL5351UC**

**Introducing the Newly Designed and Engineered Bosch Wall Oven Featuring Heavy-duty Metal Knobs**

- Heavy-duty Metal Knobs for a Premium Look and Feel.
- The Wall Oven is Designed to be Installed Flush with your Cabinetry.
- Wall Ovens are Compatible with Most Competitors' Cut-Outs.

**Technical Data**

Cooking mode :	Conventional heat,
Half width variable grill, Top heating, 1/3 bottom heat., warming	
Integrated Cleaning system :	Self Clean
Interior Lights - cavity 1 :	1
Timer settings :	Alarm, Off, On, timer
Included accessories :	2 x oven racks /upper
Bake Element Wattages cavity 1 (W) :	2400
Broil Element Wattages cavity 1 (W) :	3800
UPC code :	825225906469
Product color :	Stainless steel
Energy source :	Electric
Watts (W) :	4200
Current (A) :	30
Volts (V) :	240/208
Frequency (Hz) :	60
Approval certificates :	CSA
Power cord length (in) :	50"
Power cord length (cm) :	127
Plug type :	fixed connection, no plug
Required cutout size (HxWxD) (in) :	
27" - 28 5/8" x 28 1/2" x 23 1/2"	
Required cutout size (HxWxD) (mm) :	686 x 724 x 597
Overall appliance dimensions (HxWxD) (mm) :	737 x 755 x 622
Product packaging dimensions (HxWxD) (in) :	
31 1/4" x 34" x 31 1/2"	
Net weight (lbs) :	160
Net weight (kg) :	72.0
Gross weight (lbs) :	177
Gross weight (kg) :	80.0

**Included accessories**

2 x oven racks /upper

**Optional accessories**

HEZTR301 : Telescopic Oven Rack 30"

## Ovens

### **30" Single Wall Oven 500 Series - Stainless Steel HBL5351UC**

#### **Introducing the Newly Designed and Engineered Bosch Wall Oven Featuring Heavy-duty Metal Knobs**

---

##### **Design**

- Heavy-duty Metal Knobs

##### **Performance**

- Thermal Cooking with Bake, Broil, Roast, and Warm

##### **Efficiency**

- EcoClean™ 2-Hour Self-Clean Cycle

##### **Convenience**

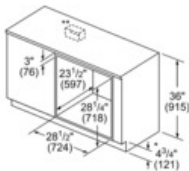
- One Oven Light to Better Monitor Cooking Progress
- Kitchen Timer
- Extra Large Door Window for Easy Monitoring of Cooking Process
- Star-K certified. 100°-450° F

##### **Capacity**

- Large Capacity at 4.6 Cu Ft.
- Recessed 8 Pass Broil Element for Increased Capacity and Safety

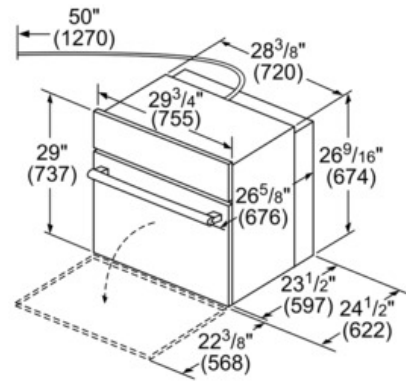
## Ovens

### 30" Single Wall Oven 500 Series - Stainless Steel HBL5351UC

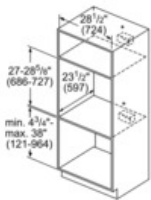


\* Includes  $\frac{3}{4}$ " (19) base plate  
\*\* For single ovens installed under a countertop, the junction box may be located to the left or right of the unit within reach of the power conduit.

measurements in inches (mm)



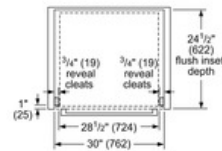
measurements in inches (mm)



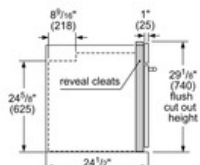
\* For single ovens installed into a wall cabinet, the junction box may be located above or beneath the unit within reach of the power conduit.

measurements in inches (mm)

Flush Install Top View



Side View



measurements in inches (mm)