

Electric Ranges

Use and Care Manual

Slide-In Ranges

HEI8056U, HEI8056C, HEIP056U, HEIP056C
HEI8046U, HEI8046C



BOSCH

Invented for life



Table of Contents

About This Manual	1	Avoid These Cleaners	32
Safety Definitions	1	Oven Cleaning Guide	32
Safety	2	Cleaning the Warming Drawer	33
Getting Started	6	Oven Maintenance	34
Accessories	8	Replacing an Oven Light	34
Before Using the Appliance for the First Time	9	Removing the Oven Door	35
Operation - Cooktop	10	Removing the Drawer	36
About the Cooktop	10	Replacing the Drawer	37
Setting the Element Heat Level	10	Service	39
Operation - Oven	12	How to obtain Service or parts	39
Oven Control Panel	12	Self Help	39
Before Using the Oven for the First Time	13	Use these suggestions before calling for service to avoid service charges.	39
Operation	13	Statement of Limited Product Warranty	42
Setting the Clock	13	Cooking Charts	44
Setting the Cooking Mode and Temperature	14		
Heating time limitation	15		
Timer	15		
Fast Preheat	16		
Probe (some models)	16		
Sabbath Mode	17		
Panel Lock	18		
Settings	18		
Settings Menu Options	19		
Operation - Warming Drawer	20		
About the Warming Drawer	20		
Operation	20		
Getting the Most Out of Your Cooktop	21		
Getting the Most Out of Your Oven	22		
Cooking modes	23		
Getting the Most Out of Your Warming Drawer	27		
Cleaning and Maintenance	29		
Cleaning the Cooktop	29		
Cooktop Care Chart	30		
Cleaning the Oven	31		
Self Clean	31		

This Bosch Appliance is made by
BSH Home Appliances Corporation
1901 Main Street, Suite 600
Irvine, CA 92614

Questions?

1-800-944-2904

www.bosch-home.com/us

We look forward to hearing from you!

About This Manual

How This Manual Is Organized

This manual contains several sections:

- The *Safety* section describes important procedures that can ensure your safety while using the appliance.
- The *Getting Started* section describes the features and functionality of the appliance, including a description of how to set it up and operate it.
- The *Operation* section describes how to operate and get the best performance out of each component.
- The *Cleaning and Maintenance* section describes how to clean and maintain the appliance.
- The *Service* section includes troubleshooting tips and your warranty.
- Before using your appliance, be sure to read this manual. Pay special attention to the *Important Safety Instructions* located at the beginning of the manual.

Safety Definitions

WARNING

This indicates that death or serious injuries may occur as a result of non-observance of this warning.

CAUTION

This indicates that minor or moderate injuries may occur as a result of non-observance of this warning.

NOTICE: This indicates that damage to the appliance or property may occur as a result of non-compliance with this advisory.

Note: This alerts you to important information and/or tips.

IMPORTANT SAFETY INSTRUCTIONS

READ AND SAVE THESE INSTRUCTIONS

Safety

WARNING

TIP OVER HAZARD!

A child or adult can tip the range over and be killed. Verify that the anti-tip bracket is securely installed. Ensure the anti-tip bracket is engaged whenever the range is moved to a new location.



Do not operate the range without the anti-tip bracket in place. Failure to follow the instructions in this manual can result in death or serious burns to children and adults.

Check for proper installation and use of the anti-tip bracket. Carefully tip the range forward pulling from the back to ensure that the anti-tip bracket engages the range leg and prevents tip-over. The range should not move more than 1" (2.5 cm).

Proper Installation and Maintenance

- **WARNING:** When properly cared for, your new appliance has been designed to be safe and reliable. Read all instructions carefully before use. These precautions will reduce the risk of burns, electric shock, fire, and injury to persons. When using kitchen appliances, basic safety precautions must be followed, including those in the following pages.
- Have the installer show you the location of the circuit breaker or fuse. Mark it for easy reference.
- This appliance must be properly installed and grounded by a qualified technician. Connect only to a properly grounded outlet. Refer to Installation Instructions for details.
- This appliance is intended for normal family household use only. It is not approved for outdoor use. See the Statement of Limited Product Warranty. If you have any questions, contact the manufacturer.

- Do not store or use corrosive chemicals, vapors, flammables or nonfood products in or near this appliance. It is specifically designed for use when heating or cooking food. The use of corrosive chemicals in heating or cleaning will damage the appliance and could result in injury.
- Do not operate this appliance if it is not working properly, or if it has been damaged. Contact an authorized servicer.
- Do not cook on a broken cooktop. Cleaning solutions and spillovers may create a risk of electric shock.
- Do not obstruct oven vents.
- Do not repair or replace any part of the appliance unless specifically recommended in this manual. Refer all servicing to a factory authorized service center.
- In the event of an error the display flashes and beeps continuously. If this happens during Self Clean, disconnect appliance from the power supply and call a qualified technician.
- In the event of an error the display flashes and beeps continuously. Disconnect appliance from the power supply and call an authorized servicer.

Fire Safety

- Do not use aluminum foil or protective liners to line any part of an appliance, especially the oven bottom. Installation of these liners may result in a risk of electric shock or fire.
- If materials inside an oven or warming drawer should ignite, keep door closed. Turn off the appliance and disconnect the circuit at the circuit breaker box.
- Use this appliance only for its intended use as described in this manual. For example, never use the appliance for warming or heating the room. Never use the appliance for storage.
- Do not allow aluminum foil, plastic, paper or cloth to come in contact with a hot burner or grate. Do not allow pans to boil dry.
- If the cooktop is near a window, forced air vent, or fan, be certain that flammable materials such as window coverings do not blow over or near the burners or elements. They could catch on fire.
- Always have a working smoke detector near the kitchen.
- Never leave the cooktop unattended when in use. Boilovers cause smoking and greasy spillovers may ignite.

IMPORTANT SAFETY INSTRUCTIONS

READ AND SAVE THESE INSTRUCTIONS

WARNING

TO REDUCE THE RISK OF PERSONAL INJURY IN THE EVENT OF A GREASE FIRE, OBSERVE THE FOLLOWING:

- SMOTHER FLAMES with a close-fitting lid, cookie sheet, or metal tray, then turn off the burner. EXERCISE CAUTION TO PREVENT BURNS. If the flames do not go out immediately, EVACUATE AND CALL THE FIRE DEPARTMENT.
 - NEVER PICK UP A FLAMING PAN—You may be burned.
 - DO NOT USE WATER, including wet rags or towels—a violent steam explosion will result.
 - Use an extinguisher ONLY if:
 - 1) You know you have a CLASS ABC extinguisher and you already know how to operate it.
 - 2) The fire is small and contained in the area where it started.
 - 3) The fire department is being called.
 - You can fight the fire with your back to an exit.
-
- In the event that personal clothing or hair catches fire, drop and roll immediately to extinguish flames.
 - Whenever possible, do not operate the ventilation system during a cooktop fire. However, do not reach through fire to turn it off.
 - Have an appropriate fire extinguisher available, nearby, highly visible and easily accessible near the oven.
 - Smother flames from food fires other than grease fires with baking soda. Never use water on cooking fires.
- ### Burn Prevention
- DO NOT TOUCH COOKTOP ELEMENTS OR AREAS NEAR COOKTOP ELEMENTS - Cooktop elements may be hot even though they are dark in color. Areas near cooktop elements may become hot enough to cause burns. During and after use, do not touch, or let clothing, potholders, or other flammable materials contact cooktop elements or areas near them until they have had sufficient time to cool. Among these areas are the cooktop and areas facing the cooktop.
 - DO NOT TOUCH HEATING ELEMENTS OR INTERIOR SURFACES OF OVEN - Heating elements may be hot even though they are dark in color. Interior surfaces of an oven become hot enough to cause burns. During and after use, do not touch, or let clothing, potholders, or other flammable materials contact heating elements or interior surfaces of oven until they have had sufficient time to cool. Other surfaces of the appliance may become hot enough to cause burns. Among these surfaces are oven vent openings, surfaces near these openings and oven doors.
 - Exercise caution when opening the appliance. Standing to the side, open the door (or drawer) slowly and slightly to let hot air and/or steam escape. Keep your face clear of the opening and make sure there are no children or pets near the unit. After the release of hot air and/or steam, proceed with your cooking. Keep doors shut unless necessary for cooking or cleaning purposes. Do not leave open doors unattended.
 - Do not heat or warm unopened food containers. Build-up of pressure may cause the container to burst and cause injury.
 - Always place oven racks in desired location while oven is cool. If a rack must be moved while oven is hot, do not let potholder contact the heating elements.
 - Always use dry potholders. Moist or damp potholders on hot surfaces may result in burns from steam. Do not let potholder touch hot heating elements. Do not use a towel or other bulky cloth.
 - Always turn hood ON when cooking at high heat or when flambéing food (i.e. Crepes Suzette, Cherries Jubilee, Peppercorn Beef Flambe’).
 - Use high heat settings on the cooktop only when necessary. To avoid bubbling and splattering, heat oil slowly on no more than a low-medium setting. Hot oil is capable of causing extreme burns and injury.
 - Never move a pan of hot oil, especially a deep fat fryer. Wait until it is cool.
 - Secure all loose garments, etc. before beginning. Tie long hair so that it does not hang loose, and do not wear loose fitting clothing or hanging garments, such as ties, scarves, jewelry, or dangling sleeves.
 - Avoid reaching or leaning over the appliance. Be aware that certain clothing and hair sprays may contain flammable chemicals that could be ignited if brought in contact with hot surface units or heating elements and may cause severe burns.
 - Do not touch interior surface of the drawer while it is in use. The interior of the drawer could become hot enough to cause burns. Allow drawer and rack (if equipped) to cool before handling.
 - **WARNING:** To prevent burns, do not remove drawer while hot. Be sure drawer is empty before removing.



IMPORTANT SAFETY INSTRUCTIONS

READ AND SAVE THESE INSTRUCTIONS

WARNING

Use this appliance only for its intended use as described in this manual. NEVER use this appliance as a space heater to heat or warm the room. Doing so may result in carbon monoxide poisoning and overheating the appliance. Never use the appliance for storage.

WARNING

NEVER cover any slots, holes or passages in the oven bottom or cover an entire rack with materials such as aluminum foil. Doing so blocks air flow through the oven and may cause carbon monoxide poisoning. Aluminum foil linings may also trap heat, causing a fire hazard.

- Use caution when cooking foods with high alcohol content (e.g. rum, brandy, bourbon) in the oven. Alcohol evaporates at high temperatures. There is a risk of burning as the alcohol vapors may catch fire in the oven. Use only small quantities of alcohol in foods, and open the oven door carefully.

Child Safety

- When children become old enough to use the appliance, it is the responsibility of the parents or legal guardians to ensure that they are instructed in safe practices by qualified persons.
 - Do not allow anyone to climb, stand, lean, sit, or hang on any part of an appliance, especially a door, warming drawer, or storage drawer. This can damage the appliance, and the unit may tip over, potentially causing severe injury.
 - Do not allow children to use this appliance unless closely supervised by an adult. Children and pets should not be left alone or unattended in the area where the appliance is in use. They should never be allowed to play in its vicinity, whether or not the appliance is in use.
-

CAUTION

Items of interest to children should not be stored in an appliance, in cabinets above an appliance or on the backsplash. Children climbing on an appliance to reach items could be seriously injured.

Proposition 65 Warning:

This product may contain a chemical known to the State of California, which can cause cancer or reproductive harm. Therefore, the packaging of your product may bear the following label as required by California:

STATE OF CALIFORNIA PROPOSITION 65 WARNING:

 **WARNING**

Cancer and Reproductive Harm - www.P65Warnings.ca.gov

Cleaning Safety

- **IMPORTANT SAFETY NOTICE:** The California Safe Drinking and Toxic Enforcement Act requires the Governor of California to publish a list of substances known to the state to cause cancer, birth defects or other reproductive harm, and requires businesses to warn customers of potential exposure to such substances. The burning of gas cooking fuel and the elimination of soil during self-cleaning can generate small amounts of carbon monoxide. The fiberglass insulation in Self Clean ovens gives off very small amounts of formaldehyde during the first several cleaning cycles. California lists formaldehyde as a potential cause of cancer. Carbon monoxide is a potential cause of reproductive toxicity. Exposure to these substances can be minimized by:
 - 1) Providing good ventilation when cooking with gas.
 - 2) Providing good ventilation during and immediately after self-cleaning the oven.
 - 3) Operating the unit according to the instructions in this manual.
- Do not clean the appliance while it is still hot. Some cleaners produce noxious fumes when applied to a hot surface. Wet cloths or sponges can cause burns from steam.
- When self-cleaning, confirm that the door locks and will not open. If the door does not lock, do not run Self Clean. Contact service.
- Birds have very sensitive respiratory systems. Keep pet birds out of the kitchen or other rooms where kitchen fumes could reach them. During Self Clean, fumes are released that may be harmful to birds. Other kitchen fumes such as overheating margarines and cooking oils may also be harmful.
- Keep oven free from grease build up.

IMPORTANT SAFETY INSTRUCTIONS

READ AND SAVE THESE INSTRUCTIONS

Cookware Safety

- Do not place food directly on oven bottom.
- Follow the manufacturer's directions when using cooking or roasting bags.
- Hold the handle of the pan when stirring or turning food. This helps prevent spills and movement of the pan.
- Use Proper Pan Size. The use of undersized cookware will expose a portion of the heating element or burner to direct contact and may result in ignition of clothing. Select cookware having flat bottoms large enough to cover the surface heating unit. This appliance is equipped with one or more surface units of different size. Proper relationship of cookware to heating element or burner will also improve efficiency.
- Cookware not approved for use with glass ceramic cooktops may break with sudden temperature changes. Use only pans that are appropriate for glass ceramic cooktops (only certain types of glass, heatproof glass, ceramic, earthenware, or other glazed utensils are suitable). See Cookware Selection Guide for further details.
- Always position handles of utensils inward so they do not extend over adjacent work areas, burners, or the edge of the cooktop. This reduces the risk of fires, spills and burns.
- **CAUTION:** Plastic containers or plastic wrap can melt if in direct contact with the drawer or a hot utensil. If it melts onto the drawer, it may not be removable.

WARNING

RISK OF INJURY

When cooking with a bain-marie, the cooktop and cooking vessel may crack due to overheating. The cooking vessel in the bain-marie must not come in direct contact with the bottom of the pot filled with water. Use only heat-resistant cookware.

WARNING

DANGER OF INJURY

Cookware may jump upward due to fluid trapped between the cookware bottom and cooking zone. Always keep cooking zone and cookware bottom dry.

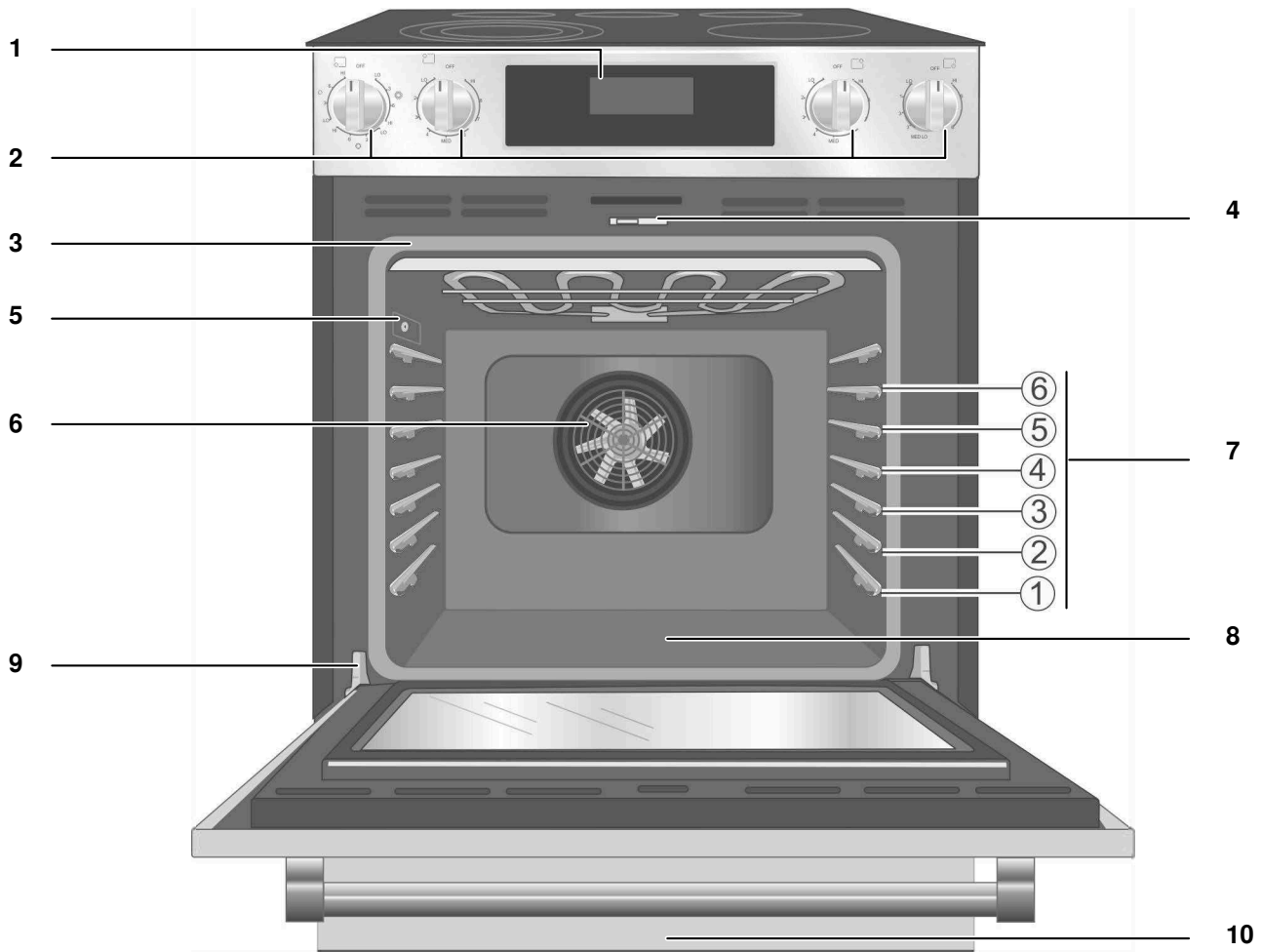
Food Safety

- **CAUTION:** To maintain food safety, follow these guidelines:
 - 1) **DO NOT** use a warming drawer to heat cold food (exception: it is safe to use the drawer to crisp crackers, chips or dry cereal and to warm plates.)
 - 2) Be sure to maintain proper food temperature. The USDA recommends holding hot food at 140° F or warmer.
 - 3) **DO NOT** warm food for longer than one hour.

Getting Started

Parts and Accessories

Your appliance may vary slightly.



Range Parts Key

- | | |
|---|--|
| 1 | Oven Control Panel |
| 2 | Cooktop Control Knobs |
| 3 | Door Gasket |
| 4 | Door Latch |
| 5 | Probe Jack |
| 6 | Convection Fan |
| 7 | Rack Position Guides with 6 rack positions |

- | | |
|----|----------------|
| 8 | Oven Bottom |
| 9 | Door Hinge |
| 10 | Warming Drawer |

Range Features

Radiant Elements

The radiant element uses a wire ribbon located under the glass ceramic surface to provide the heat for cooking. The radiant element will cycle on and off by design (see Temperature Limiter).

Single Element

The single element consists of only one radiant element in the heating area. The unit temperature can be adjusted from Hi to Lo to provide the desired cooking performance.

Double Element (some models)

The dual element consists of two (a small and a large) radiant element within the same heating area. Either the small element, or both elements may be selected for use.

Triple Element (some models)

The triple element consists of three (small, medium and large) radiant ribbon elements within the same heating area. Either the small element, the small and medium element or all three elements may be selected for use, in order to better match the size of cookware.

Power Element (some models)

This element is used for faster time to boil and low simmer, all in one element. There are two elements that are the full size of the cooking zone.

Warming Zone

The warming element consists of one radiant element. The temperature is preset to the warming temperature set by the oven control panel.

Retained Heat

The glass cooking surface retains heat and stays hot after the element(s) have been turned off. The retained heat may be used to hold foods at serving temperatures for a short time. If a hot surface light is on, use caution when working or cleaning around the cooktop as the cooktop is still hot.

Temperature Limiter

Each radiant heating element has its own sensor to protect the glass cooking surface from extreme high temperatures. The limiters will operate automatically by cycling the element off regardless of the cook setting.

Although cycling is normal, any one of the following conditions can activate the limiter and cause it to cycle on and off more than usual:

- The base of the pan is not making full contact with the heating surface (due to a warped or uneven base).
- The pan is too small for the element.
- The pan has boiled dry.
- The material or shape of the pan is slow to transfer the heat.

Hot Surface Indicator

The cooktop displays a hot indicator light to show when the cooking surface is too hot to touch. If a hot surface light is on, use caution when working or cleaning around the cooktop as the cooktop is still hot.

Oven Features

Cooling Fan

The cooling fan runs during all cooking modes. The fan can be heard when it is running, and warm air may be felt as it is released from the oven vent. The fan may also run after the oven is off.

Convection Fan

The convection fan operates during any convection mode. When the oven is operating in the convection mode, the fan will turn off automatically when the door is opened. The convection fan does run during Self Clean, although not at the beginning of the mode.

Note: On some models, the convection fan also runs during preheat for the bake mode.

Oven Bottom

The oven bottom conceals the lower heating element. As a result the element is protected from damage and spills.

Note:

Do not place food directly on the oven bottom.

Oven Vent

The oven vent is located at the top back of the range. Warm air may be released from the vent before, during and after cooking. It is normal to see steam escaping from the vent and condensation may collect in this area. This area may be hot when the oven is in use. Do not block the vent as it is important for air circulation.

▲ CAUTION

Do not use aluminum foil or protective liners to line any part of an appliance, especially the oven bottom. Installation of these liners may result in a risk of electric shock or fire.

Automatic Shutoff

The oven will automatically shut off after 24 hours.

Self-Cleaning

The oven features a self-cleaning function that eliminates the manual labor involved with cleaning your oven.

Indicators and Other Features

Default Settings - The cooking modes automatically select the default temperature. These can be changed when a different one is needed.

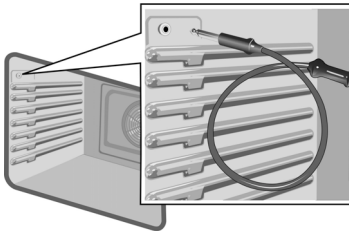
E Number Codes - These codes display when there is a problem with the range.

Standby Mode

Standby mode means that the oven has power but no cooking mode or timer is running.

Accessories

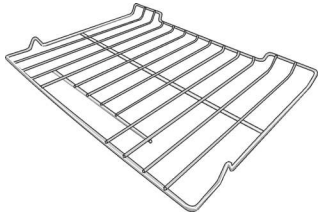
Probe (some models)



The probe can be used to determine the internal doneness or the end temperature of many foods, especially meats and poultry.

Do not clean in the Self Clean oven or dishwasher.

Flat Rack



Use for most cooking. Can use multiple racks in some modes.

Do not clean in the Self Clean oven.

Telescopic Rack (some models)



additional 30-inch racks available from e-Shop # HEZTR301

Use with heavier dishes to make it easier to place dishes into the oven, check on food while cooking and remove dishes from oven when done.

Do not clean in the Self Clean oven.

Broiling Pan (available via eShop)



Pan: #00449757

Grill(top):#00449756

Inserting Racks

⚠ CAUTION

To avoid burns, place oven racks in desired positions before turning oven on. Always use oven mitts when the oven is warm. If a rack must be moved while the oven is hot, do not let oven mitts contact hot heating elements.

Use caution when removing an oven rack from the lowest rack position to avoid contact with the hot oven door.

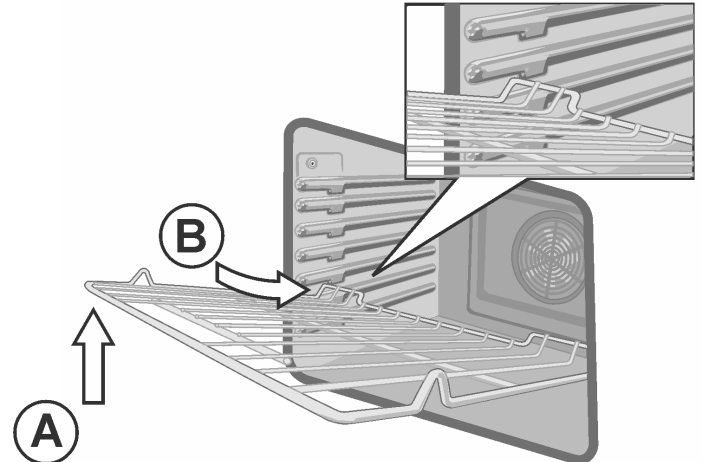
To avoid possible injury or damage to the appliance, ensure racks are installed exactly per installation instructions and not backwards or upside down.

Flat Rack

The rack is designed with a stop so it will stop before coming completely out of the oven and not tilt.

To insert the flat rack into the oven:

1. Grasp rack firmly on both sides.
2. Insert rack (see picture).



3. Tilt rack up (A) to allow the upwardly sloped rear of the rack to slide under the stop molded into the front portion of the rack guide above.
4. When the back of the rack is past this stop, lower the front of the rack to a horizontal position (B) and push it the rest of the way in.

The rack should be straight and flat, not crooked.

To remove the flat rack from the oven:

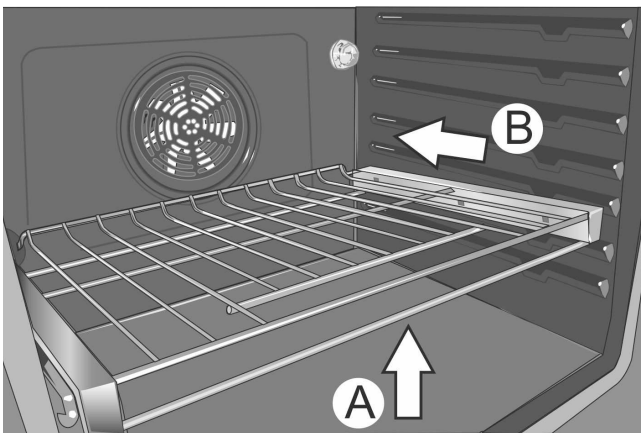
1. Grasp rack firmly on both sides and pull rack toward you.
2. When the stop is reached, tilt rack up so that the upwardly sloped back of the rack can pass under the stop. Pull the rack the rest of the way out.

Telescopic Rack (some models)

To insert the telescopic rack into the oven:

1. Slide the rack in evenly until the rear of the rack is about 2 inches from the back of the oven.
2. Tilt the front of the rack up about 3/4's of an inch (A) and finish pushing the rack all the way back (B)

Note: Avoid striking the oven light cover glass when pushing the rack into position.



3. The back of the telescopic rack drops into place.
4. Pull the rack forward to engage the bottom of the rack onto the rear of the rack position guide.
5. Lower the front of the rack to finish seating it on the rack guide. The rack should feel stable when properly seated.
6. Slide the movable part of the telescopic rack in and out a few times to make sure it is able to move freely and that the non-moving part of the telescopic rack is securely anchored.

⚠ CAUTION

To avoid possible injury or damage to the appliance, ensure the telescopic rack is installed exactly per installation instructions and not backwards or upside down.

To remove the telescopic rack from the oven:

1. Lift the front of the telescopic rack assembly about 1/2 inch and push the rack to the rear about 3/4 inch. This allows the rack to disengage from the rack position guide.
2. Lift the rear of the telescopic rack assembly so it clears the rack position guide and gently pull the rack from the oven.

Note: Take care to avoid pulling the rack unevenly which will cause it to bind during removal, catching on the oven walls.

Before Using the Appliance for the First Time

- Remove all packing materials and labels from range. Remove packing materials from inside the oven and inside the drawer.
- While cool, wipe with a clean, damp sponge and dry.
- Apply the glass ceramic cooktop cleaner to the glass ceramic cooktop. Buff with a clean cloth. See Care and Cleaning Section.
- There may be a slight odor during first uses; this is normal and will disappear.
- Optimum cooking results depend on proper cookware and bakeware being used.
- The cooking surface will hold the heat and remain hot up to 30 minutes after the elements have been turned off.
- While cool, wipe with a clean, damp cloth and dry.
- Read and understand all safety precautions and Use and Care Manual information prior to operating.

Operation - Cooktop

This section explains how to operate the cooktop. See “*Getting the Most Out of Your Cooktop*” for guidelines to improve cooktop results.

About the Cooktop

Use the cooktop for surface cooking applications such as boiling, frying, simmering, steaming and sautéing.

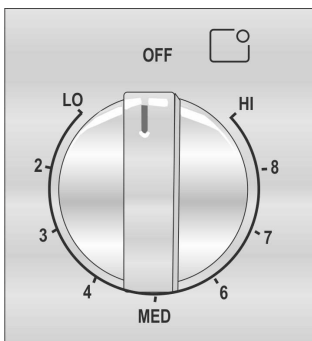
⚠ CAUTION

- Foods packaged in aluminum foil should not be placed directly on the glass ceramic surface for cooking. Aluminum foil can melt and cause permanent damage.
- Plastic, paper and cloth can melt or burn when in contact with a hot surface. Do not let these items come in contact with the hot glass ceramic surface.
- Do not allow pans to boil dry. This can permanently damage the pan, the element and the cooktop glass.
- Failure to operate knobs properly may result in personal injury and damage to the appliance.

Setting the Element Heat Level

Single Element Control Knob

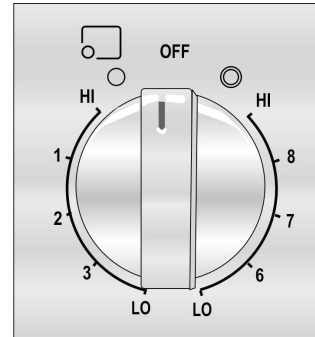
To turn on a single element, push in on the control knob and turn in either direction to the desired heat setting. The small icon above the control knob shows the location of the element controlled by the knob.



Double Element Control Knob

To turn ON the small inner element, push in on the control knob and turn it counterclockwise to the desired heat setting. To turn ON both the inner and the outer elements together, push in on the control knob and turn it clockwise

to the desired heat setting. The small icon above the control knob shows the location of the burner controlled by the knob.



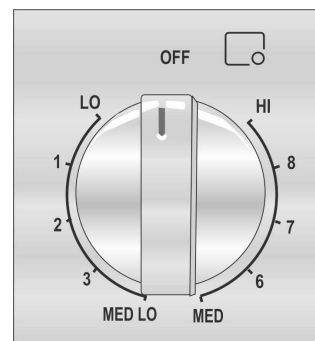
Power Element Control Knob (some models)

This element is used for faster time to boil and low simmer, all in one element. There are two elements that are the full size of the cooking zone.

To turn ON the lower heating element, push in on the control knob and turn it counterclockwise. Set to desired heat setting from Lo to Med Lo.

To use both elements, push in on the control knob and turn it clockwise. Set to desired heat setting from Hi to Med.


On the High setting, you may see part of the element cycling on and off.



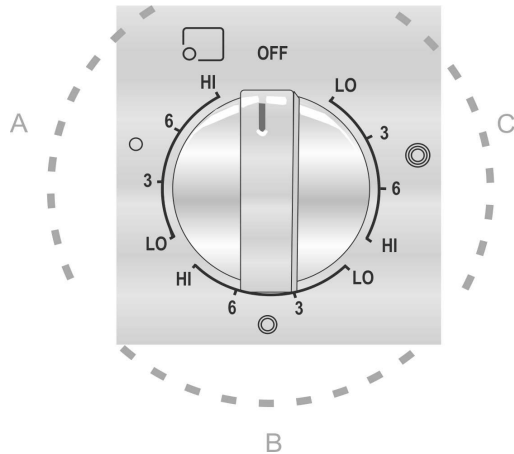
Triple Element Control Knob (some models)

To turn on the small inner element only, push in on the control knob and turn it to the ○ symbol (counterclockwise). Turn knob left or right to set the heat level.

To turn on the inner and middle elements, push in and turn the control knob to the ⊙ symbol. Turn knob left or right to set the heat level.

To turn on all three elements, push in and turn the control knob to the  icon. Turn knob left or right to set the heat level.

For each of the three element sets (A,B,C) the unit temperature can be adjusted from LO to HI to provide a more precise temperature setting.



Warming Zone

The warming zone is controlled through the oven control panel.

To turn on the warming zone

1. Press the **Warming Zone** button.
2. Press **Enter**.

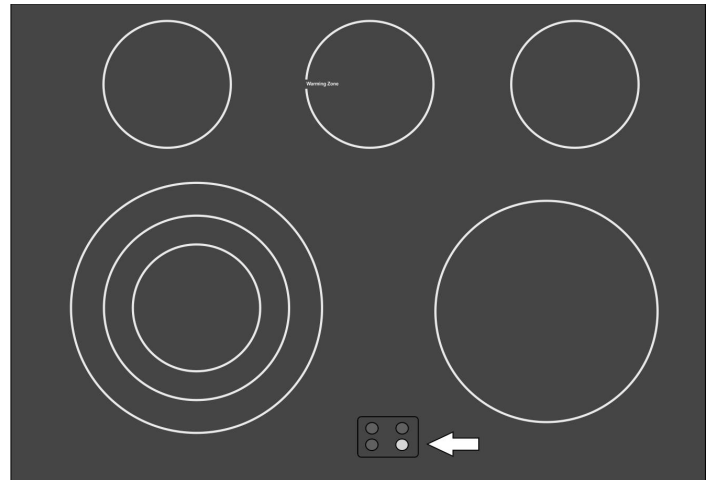
To turn off the warming zone

1. Press the **Warming Zone** button.

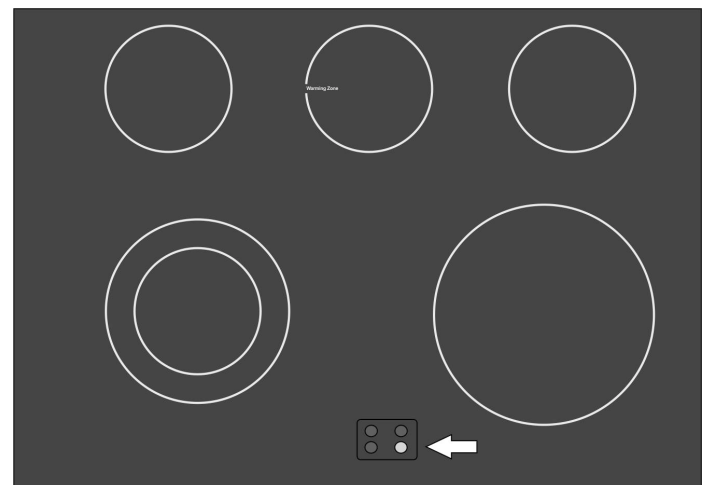
Surface Element On/Hot Indicators

There is an embedded panel near the front of the cooktop with individual lights representing each element. These lights are illuminated when an element is "on". The light remains on as long as the element is hot. When the element is sufficiently cooled down, the light goes out.

Cooktops with a triple front element



Cooktops with a double front element



Surface Elements Disabled During Self Clean

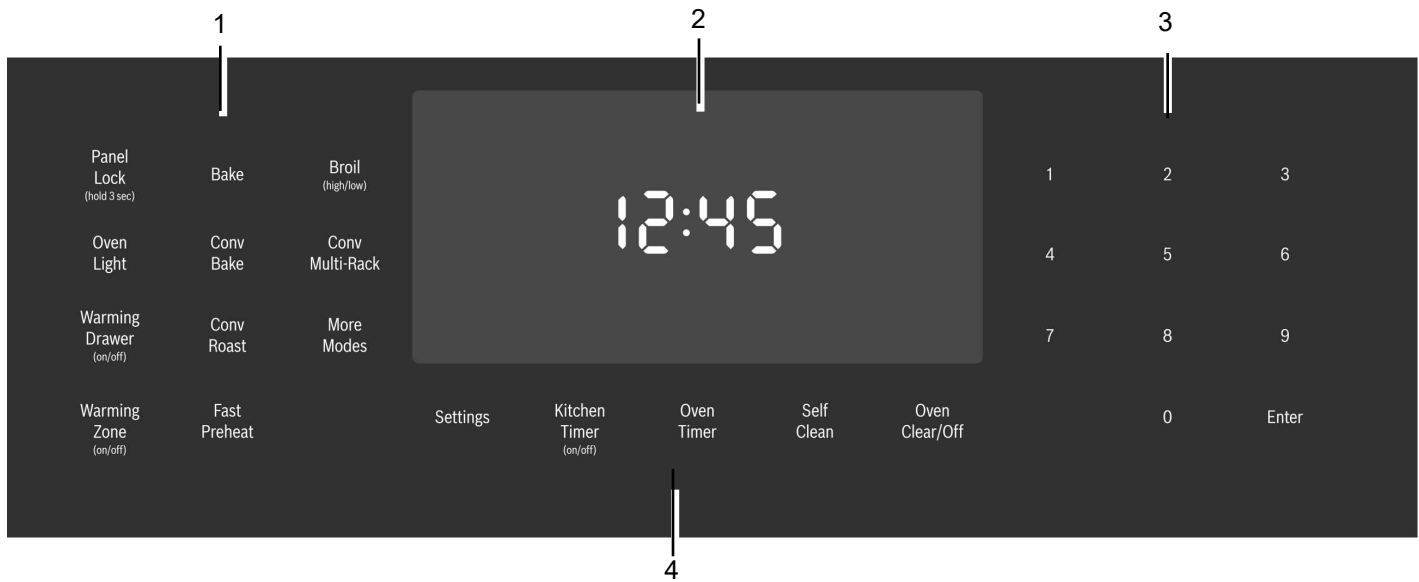
WARNING

To avoid risk of personal injury, while the Self Clean cycle is operating, do not operate the cooktop and ensure that all surface controls are turned off.

All surface elements are automatically disabled during Self Clean Operation only. This is normal. Once the Self Clean cycle is complete and the oven has cooled, the elements become operable once again.

Operation - Oven

Oven Control Panel



800 Series Oven Control Panel

1 Mode Selection Buttons

2 Display

3 Numeric Keypad Buttons

4 Special Function Buttons

Button Descriptions

Panel Lock <small>(hold 3 sec)</small>	Turns Panel Lock mode on and off.	Settings	Provides access to user settings to allow customization of basic display, language and other features. Use also to set the clock.
Oven Light	Turns the oven lights on or off.	Probe	Sets probe target temperature. Probe allows monitoring of internal meat temperature during cooking.
Kitchen Timer <small>(on/off)</small>	Starts and stops the kitchen timer(s). Press to edit a timer.	Fast Preheat	Enables Fast Preheat option.
Oven Timer	Press to edit the oven timer for the selected oven. Turns off the oven at the end of the specified time.	Self Clean	Activates Self Clean mode.

Buttons





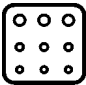
Note: You only need to press lightly on the buttons to operate them.

Warming Drawer (on/off)	Turns the warming drawer on or off.
Warming Zone (on/off)	Activates Warming Zone on cooktop.
More Modes	Allows access to cooking/heating modes that do not have a direct access button.

More Modes

Additional modes are available by pressing the **More Modes** button. These modes include Convection Broil, Warm, Pizza, Proof and Roast. These are discussed in the *Getting the Most Out of Your Appliance* section later in this manual.

Display Symbols

	Door Lock - Is displayed when the oven door is locked.
	Fast Preheat Symbol - Is displayed when Fast Preheat is active.
	Probe Symbol - Appears when a probe is detected.
	Panel Lock - Is displayed when the control panel is locked.
	Self Clean - Is displayed when Self Clean is active.

Before Using the Oven for the First Time

- Oven must be properly installed by a qualified technician before use.
- Remove all packing materials from inside and outside the oven.
- While cool, wipe with a clean, damp cloth and dry.
- There may be a slight odor during first uses; this is normal and will disappear.
- Optimum cooking results depend on proper cookware and bakeware being used.
- Read and understand all safety precautions and Use and Care Manual information prior to operating.

Operation

About the Oven

Your new oven combines premium cooking results and simple operation.

The oven design has been optimized to improve heat distribution in the oven cavity. The result is even browning, shorter cooking times and lower energy consumption.

Thanks to the Self Clean mode, hours of scrubbing into the darkest corners of the oven is a thing of the past. The oven burns off soil simply and easily. All that is left to do is to remove a few ashes from the oven when Self Clean is done and the oven is cool enough to touch.

Clear labeling of the touch pads makes operating the oven very easy. This manual includes all instructions for operating the oven.

Please call us if you ever have any questions. Our telephone number is located at the beginning of this manual. We welcome your comments and suggestions!

Basic Features

Setting the Clock

The oven includes time functions that require the current time to be set. It is therefore important to set the clock before beginning to use the oven. The oven cannot be in a cooking mode to access the clock set mode.

To set the clock

1. The oven must be in Standby mode (oven is powered on, but no cooking mode or timer in operation).
2. To access the clock set mode:
Press the **Settings** button. The display shows “SET CLOCK”. Press **Enter** to edit the clock.
3. Use the numeric keypad to enter the desired time. Each number pressed is entered at the right and moving previously entered digits to the left. To set “12:45 pm”, press 1, 2, 4, 5.
4. When the desired time is entered, set the time by pressing **Enter**.

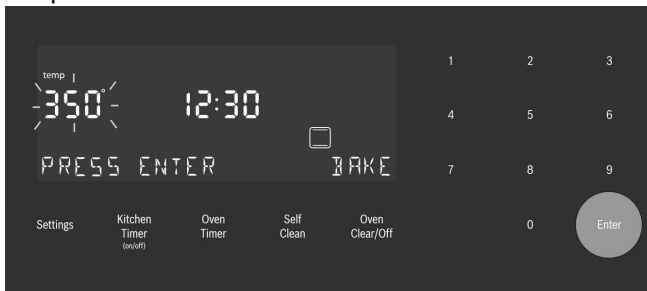
The clock is now set and running.

Setting the Cooking Mode and Temperature

There are two alternate methods to set cooking mode and temperature.

To set the Cooking Mode first, then the temperature

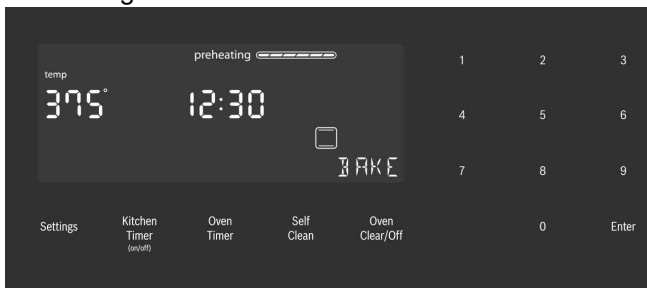
1. Press the desired Cooking Mode button. The cooking mode and default temperature are displayed. The temperature flashes to show it can be edited.



2. Press **Enter** to start the mode using the default temperature.
3. To change the temperature, enter the new temperature using the numeric buttons. 375° is used for this example. Press **Enter** to set the updated temperature.

Note: The new temperature is automatically set after 10 seconds if **Enter** is not pressed.

4. Preheating starts.



Note: If a temperature is entered that is not within the allowed range for the mode, an error tone will sound and

the lower part of the screen will display “TEMP NOT ALLOWED”.

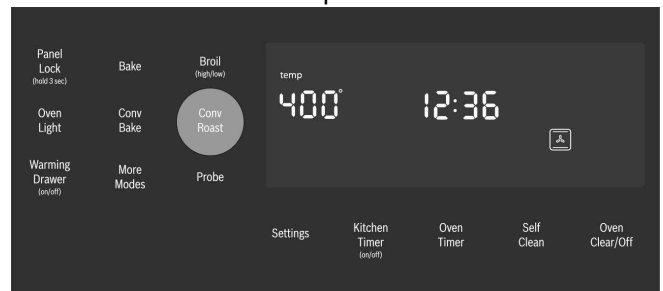
To set the Temperature first and then the Cooking Mode (not for Broil or Convection Broil)

1. Press the numeric keys to enter the desired temperature setting. The temperature entered is displayed beside the current time.
2. Select a cooking mode that is compatible with the temperature entered. If no cooking mode is selected within 5 seconds of setting the temperature, an error tone sounds and a SELECT MODE message is displayed and blinks.



3. Press a Mode Selection button to select a cooking mode.

The new mode and temperature set automatically after 10 seconds if **Enter** is not pressed.



Note: If a temperature is entered that is not within the allowed range for the mode selected an error tone will sound and the lower part of the screen will display “TEMP NOT ALLOWED”.

To change the Oven Temperature

1. Press the Cooking Mode button.
2. The current temperature flashes. Use the numeric buttons to enter a new temperature. Press **Enter**.

Heating Time Limitation

The maximum heating time is limited. If you forget to turn off the oven, it turns off automatically after a set period of time.

The maximum time for Sabbath Mode is 74 hours; for all other cooking modes the maximum allowed time is 24 hours.

Temperature in °F	Temperature in °C	Max. time allowed without activity
100–200	30–120	24 hours
201–550	121–300	12 hours

Timer

Your new oven is equipped with two types of timers.

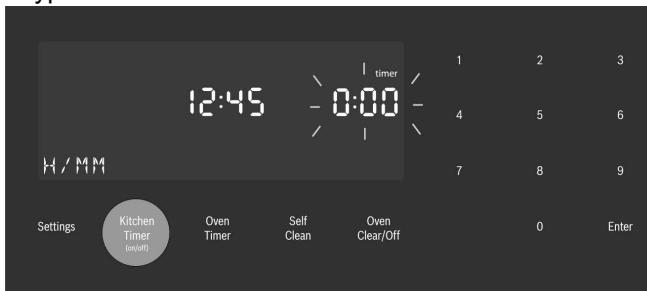
Kitchen Timer - is a countdown timer that has no affect on oven heating. The kitchen timer is used for general kitchen timing needs.

Oven Timer - is a countdown timer which upon reaching 00:00 turns the oven off, stopping the current mode. The oven timer is used to set how long a mode will run. Not available for Broil, Convection Broil, or Proof.

To set a kitchen timer

(for general kitchen timer needs)

1. Press the **Kitchen Timer On/Off** button.
0:00 is displayed and blinks in the display. Enter the desired timer value in H/MM format using the numeric keypad.



2. Press **Enter**.
The kitchen timer starts.
3. When the kitchen timer has counted down to zero an alarm tone sounds every 10 seconds for 2 minutes and the message "TIMER END" is displayed.

Cancel the kitchen timer - by pressing the **Kitchen Timer On/Off** button.

Note

- The timer does not change when other settings are changed.

To edit a kitchen timer

1. Press the **Kitchen Timer On/Off** button.
2. The current time value blinks and can be edited.

To set an oven timer

(for setting a timer to turn the oven off)

Note: An oven timer cannot be run during Self Clean.

1. Press the **Oven Timer** button.
2. Select mode, press **Enter**.
0:00 is displayed and blinks in the display. Enter the desired timer value in H/MM format using the numeric keypad.



Press the **Enter** button. The oven timer counts down to 0:00.



3. When the timer reaches :00 the cooking mode ends and the message "OVEN TIMER FINISHED" is displayed. The oven alarm tone sounds every 10 seconds for 2 minutes.

Editing the oven timer


1. If the oven timer is running and the time remaining needs to be changed, enter the oven timer mode by pressing the **Oven Timer** button.
2. The temperature blinks, indicating it can be edited. Input a new temperature or press **Enter** for no change.
3. The timer value blinks, indicating it can be edited. Input the new time and restart the timer by pressing the **Enter** button.

The oven timer may be cleared by entering 0:00.

Fast Preheat

Fast Preheat heats the oven quicker than standard preheat. It is available for Bake, Convection Multi Rack, Convection Bake, Convection Roast, Roast, and Pizza (Roast is found in the "More Modes" menu). If Fast Preheat is not allowed for the selected cooking mode an error tone sounds. Fast Preheat is not available for Broil, Convection Broil, Proof or Warm.

To set Fast Preheat

1. Press **Fast Preheat**.
The fast preheat icon  appears in the display just above the mode name.
2. Press **Start**.

Fast Preheat can be turned off by pressing **Fast Preheat** again.

Special Features

The special features provide you with additional conveniences when cooking.

Learn more about these special features in the following sections:

- Probe (some models)
- Sabbath Mode
- Panel Lock

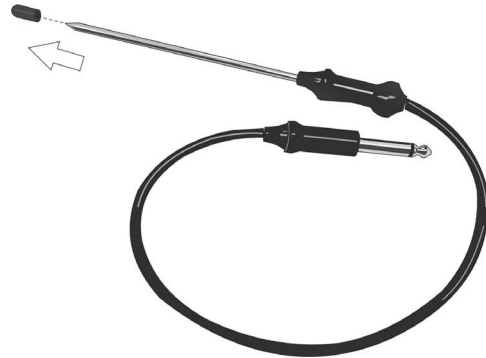
Probe (some models)

The probe measures the internal temperature of the food. The probe is available for Bake, Roast and all convection cooking modes except Convection Broil.

Remove Safety Cap before Using Probe

Some models include a temperature probe used to sense internal temperature of meats during cooking.

The probe ships with a black plastic safety cap over the pointed metal end of the probe. The cap must be removed prior to use.



Inserting the probe:

Insert the tip of the probe in the middle and thickest part of the meat or the breast for poultry. Make sure the probe is not touching fat, bone, or parts of the oven or the pan.

Note: Food must be completely thawed before inserting the probe into the meat.

To use the probe:

1. Insert the probe into the meat as described above. The probe symbol is displayed.
2. Connect the probe to the oven. If the probe is not connected to the oven prior to starting Probe mode, an error tone sounds and the message "INSERT PROBE" is displayed.
3. Set the cooking mode and temperature.
4. The Set Probe Temp screen is displayed. A three digit input prompt "--" blinks in the lower right corner. Use the numeric keypad to enter the desired probe temperature and press **Enter**.

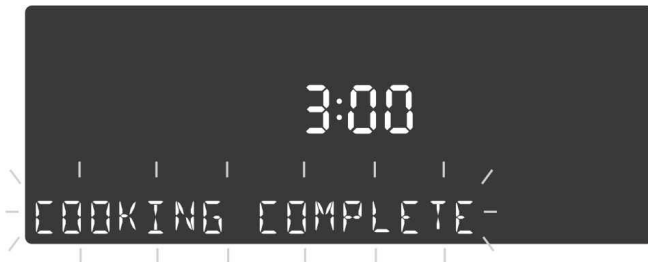
Note: The minimum probe temperature that can be set is 100° F (40° C) and the maximum is 200° F (100° C). If the probe temperature entered is outside this range, an error is displayed.



- The probe current temperature and target temperature are both displayed in the format “105 / 180” at the lower right corner of the display. The actual temperature will display < 80 until the food temperature reaches 80° F. The displayed probe temperature is updated in increments of 5° F during the cooking process.



- When the probe temperature reaches the set temperature, the cooking mode turns off. The current time is displayed and the message “COOKING COMPLETE” blinks at the bottom left of the display. An alarm tone sounds every 10 seconds for 2 minutes.



This screen remains in the display until it is cleared by pressing the **Oven Clear/Off** button or until the probe is removed. The display then goes back to Standby mode.

Note:

- Probe is not available when an oven timer has been set.
- To change the probe temperature press the **Probe** button. The display enters probe temperature editing mode and displays the message “SET PROBE TEMP”. Enter the new probe temperature and press **Enter** to accept the new value.
- Do not store the probe in the oven.
- Always use the handle of the probe for inserting and removing.
- Always use a potholder to remove the probe since it becomes hot.
- Since meat continues to cook after being removed from the oven, set the internal (probe) temperature 5 - 10 degrees below the desired final internal temperature (exception poultry).

Sabbath Mode

The Sabbath Mode enables those of particular faiths to use their ovens on the Sabbath.

The Sabbath Mode can be entered in a Bake mode only. The bake temperature must be within the Sabbath Mode temperature range of 100° to 450° F.

If the oven light is on during setup, it remains on throughout the Sabbath Mode operation. If the oven light is off during setup, it remains off throughout the Sabbath Mode operation.

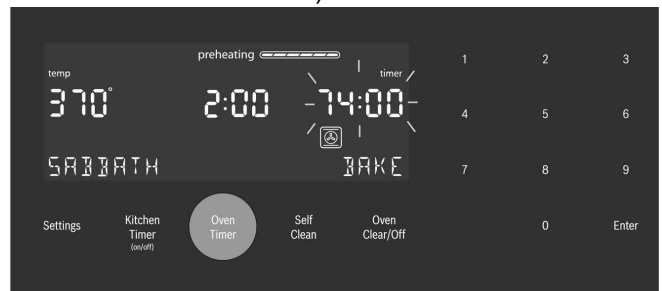
To set the Sabbath Mode:

No kitchen timers or oven timers may be running when Sabbath Mode is entered.

- Begin a Bake operation. While Bake is running, press and hold the **Oven Timer** button for five seconds. If a timer is running when Sabbath Mode attempts to start, the display blinks the message: “SABBATH NOT AVAILABLE”.



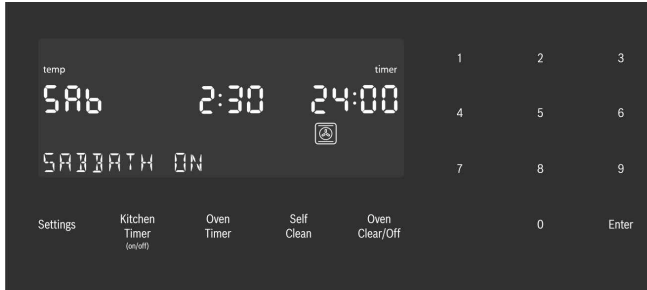
If no timers are running, the Sabbath Mode settings appear in the display. The Sabbath Mode timer blinks showing the value can be edited. The default value is 74:00 (the maximum number of hours for which Sabbath Mode can be set).



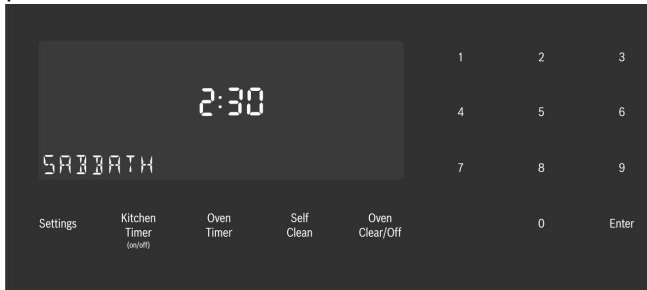
- Press **Enter** to accept the default 74:00 hours and start Sabbath Mode, or use the numeric keypad to enter the desired Sabbath Mode timer value. Timer values between 0:01 and 74:00 can be entered.

Note: If no changes are made within 10 seconds, Sabbath Mode auto starts.

- Once Sabbath Mode has begun, the display changes to show the message “SABBATH ON”.



- After the Sabbath Mode countdown reaches zero, the oven displays the current time and the message “SABBATH”. No changes can be made at this point. To end the Sabbath Mode and return to normal function, press the **Oven Clear/Off** button.



Note:

- The temperature range in Sabbath Mode is 100° F to 450° F.
- The Sabbath Mode timer can be set between 0:01 and 74 hours.

To edit the Sabbath Temperature

While editing the temperature in Sabbath Mode, there is no feedback from the control. If an invalid temperature is set, the oven will default back to the previous running temperature.

- Press the **Bake** button.
- Enter the new desired set temperature.
- Press **Enter**.

The oven will adjust its set temperature after a randomized delay.

Panel Lock

Allows the user to disable all buttons on the control panel. Panel Lock can only be enabled in Standby mode.

- To enable Panel Lock, press and hold the **Panel Lock** button for 3 seconds (in Standby mode).
- To disable Panel Lock, press and hold the **Panel Lock** button for 3 seconds. The display returns to Standby mode.

Settings Menu

The oven settings menu is used to customize certain oven settings.

The oven must be in Standby mode (no cooking mode or timer running in order to access the setup menu).

To make changes to Settings Menu Items

- Press the **Settings** button.
- The first setup item is displayed. The display shows “SET CLOCK”. Press **Settings** again to access the settings menu.
- To display a different setup item, press the number corresponding to that setting (see table following or press the **Settings** button to cycle through available options).
- To change the value for the displayed setting press the **Enter** button to enter the edit mode. Use the numeric keypad to change the setting value. The corresponding setting value is shown in the table following.

For the temperature offset, with the item in edit mode, press “-” or “+” first, then the numeric offset value.

The new value is automatically accepted as the display reverts from edit mode back to display mode.

To exit the Settings menu

Press the **Oven Clear/Off** button.

Oven Temperature Offset

The oven is calibrated to provide accurate results. This feature is useful if you prefer your foods lighter or darker. When an offset temperature is selected, the actual oven temperature is raised or lowered by this value.

The oven must be turned off in order to set an offset value. Refer to “*Temperature Offset*” in “*Settings Menu Options*” for setting.

Settings Menu Options

	Menu Item	Description	Default
1	Temperature Mode	Fahrenheit (° F) or Celsius (°C)	° F
2	Brightness	High, Medium, Low	High
3	Volume	High, Medium, Low	High
4	Clock mode	12-hour or 24-hour display mode. 12HR, 24HR.	12HR
5	Auto Convection Conversion	Decreases oven temperature by 25° F for Convection Bake and Convection Multi-Rack cooking modes. ON, OFF.	OFF
6	Button Beep	Tone when button is pressed. ON, OFF.	ON
7	Standby Clock Display	Clock displays when no cooking mode or timer is in use. ON, OFF.	ON
8	Language	Language setting: English, (EN), French, (FR)	EN
9	Temperature Offset	Sets the temperature offset value for Bake, Convection Bake, Roast, Convection Roast and Convection Multi-Rack. When an offset value is entered, the actual oven temperature is increased or decreased by this value. This feature is useful if food is consistently either too brown or too light.	0
	Note:		
	Temperature offsets must always be entered as 2 digits.		
	Example:		
	5° F is entered as 05.	The range for changing the offset is between +/- 35° F (+/- 19 °C) in 1° increments. The default value is 0.	

Operation - Warming Drawer

This section explains how to operate the warming drawer. See *“Getting the Most Out of Your Warming Drawer”* on page 27 for guidelines to improve warming drawer results.

About the Warming Drawer

The warming drawer will keep hot, cooked foods at serving temperature. Warming drawer settings are Low, Medium, and High.

Warming Drawer Specifications

Drawer Interior: 25" W x 17" D x 3" H

Dish sizes:

- 2 -9 x 13" Pyrex 3-quart dishes, side by side
- 2 -9 1/2 x 15" Pyrex 4-quart dishes, side by side
- 4 -10 1/2" plates, single or stacked
- 3 -11" plates, single or stacked

Operation

⚠ CAUTION

To maintain food safety, follow these guidelines:

- DO NOT use the warming drawer to heat cold food (exception: it is safe to use the drawer to crisp crackers, chips or dry cereal and to warm plates).
- Be sure to maintain proper food temperature. The USDA recommends holding hot food at 140° F or warmer.
- DO NOT warm food for longer than one hour.
- Plastic containers, plastic wrap or aluminum foil can melt if in direct contact with the drawer or a hot cooking container. If it melts onto the drawer, it may not be removable.

Preheating

For best results, preheat the warming drawer when warming food.

Preheat Times

- Low: 10 minutes
- Medium: 15 minutes
- High: 20 minutes

Turning Warming Drawer On and Off

1. Press the **Warming Drawer** button.
2. “WARMING DRAWER” will be displayed with the default setting “MED”. The warming drawer amber icon is displayed below the clock.
3. To accept the “MED” setting, press **Enter**. The setting is accepted and the warming drawer icon remains illuminated. If enter is not pressed, the warming drawer setting is not accepted and the warming drawer turns off.
4. To change the setting, when “MED” is displayed, press the **Warming Drawer** button again. The setting changes to “HIGH”. Press the **Warming Drawer** button again to change the setting to “LOW”. To accept a setting, press **Enter**. The displayed setting will be accepted and the warming drawer icon is illuminated below the clock, indicating that the warming drawer is active.
5. To turn the warming drawer off, press the **Warming Drawer** button and the warming drawer will turn off. The warming drawer icon will no longer appear under the clock.

Warming Empty Serving Bowls and Plates

- Use only heat-safe dishes.
- Warm on low setting for cooking containers.
- Check dish temperature during warming period.
- Place empty plates or dishes in a cold warming drawer. Do not preheat drawer prior to placing dishes.

Getting the Most Out of Your Cooktop

Cooktop Cooking Guide

Boiling Water

Time to boil can vary greatly depending on environmental conditions. Try the following tips to decrease boil time:

- Use a lid.
- Use a pan that is appropriately sized for the amount of water and the size of the element.
- Select a pan with a flat base (See “Cookware Selection Guide” in the next column for details).
- Choose a medium-weight pan (rather than a heavy-weight one).
- Make sure that the pan is positioned so that the entire base is in contact with the element.
- Start with water that is already warm.
- Boil the smallest amount of water necessary. Smaller volumes will boil faster than larger volumes.

Recommended Settings

Use this chart as a guide for heat settings. A range of heat settings are listed because the actual setting depends on:

- type and quality of pan (See “Selecting Cookware”),
- type, quantity and temperature of the food,
- element used and
- the cook’s preference.

The Heat Settings recommended are based on a 240 volt power source. If your cooktop is connected to 208 volts, the same heat settings apply but foods may take a little longer to finish cooking.

Table 1: Cooking Guide

Uses	Heat Settings
Bringing water to boil	High
Pan frying, sautéing, browning meat, deep fat frying	Medium High
Most frying, eggs, pancakes, slow boil	Medium
Simmering, finish cooking, covered foods, steaming	Medium Low
Melting butter and chocolate	Low

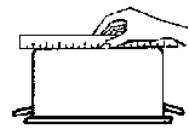
Cookware Selection Guide

Cookware Characteristics

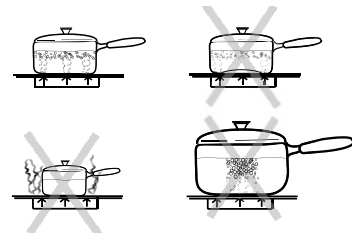
Pan selection directly affects cooking speed and uniformity. For best results select pans with flat bases. When a pan is hot, the base (pan bottom) should rest evenly on the surface without wobbling (rocking). Flat, medium-to-heavy-weight pans are best.

To Test the Flatness of Your Pans

Turn the pan upside down on the countertop and place a ruler flat against the bottom of the pan. The bottom of the pan and the straight edge of the ruler should be flush against each other.



Another simple test to determine even heat distribution across the cookware bottom is to place 1” (25.4 mm) of water in the pan. Bring the water to a boil and observe the location of the bubbles as the water starts to boil. Good, flat cookware will have an even distribution of bubbles over the bottom surface area.



Matching Diameters – The base of the pan should cover or match the diameter of the element being used. Pans may overhang the element area by 1” (25.4 mm) all around.

Tight Fitting Lids – A lid shortens cooking/boiling time by holding heat inside the pot.

Cookware Tips

- Use of pots and pans with rounded (either concave or convex) warped or dented bottoms should be avoided.
- Make sure the bottom of the pot or pan being used is clean and dry.
- Use pots and pans with thick, smooth metal bottoms.
- Do not slide metal pots across the cooktop. Pans may leave marks which need to be removed immediately. See Care and Cleaning Section.
- Do not use glass pans as they may scratch the surface.

Specialty Pans

Specialty pans such as griddles, roasters, pressure cookers, woks, water bath canners and pressure canners

must have the same features as described above. Use only a flat-bottomed wok. Never place a support ring, such as a wok ring or trivet, on the cooking surface.

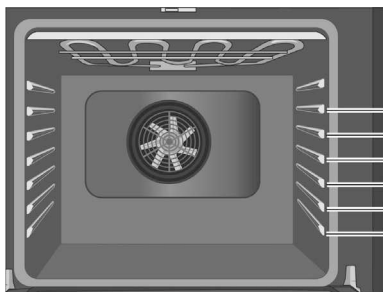
Getting the Most Out of Your Oven

General Tips

Pan Placement

Baking results are better if pans are placed in the center of the oven. If baking more than one pan on a rack, allow at least 1" to 1 ½" of air space around the pan. When baking four cake layers at the same time, stagger pans on two racks so that one pan is not directly above the other.

Rack Position



Rack positions are numbered from 1 to 6, from bottom to top. Consult the food cooking charts at the back of this manual for recommended rack positions.

The rail at the top of the oven is used as the guide for the top rack (position 6). Use rack positions 1 through 6 only. DO NOT attempt to use the top guide to support an oven rack.

Rack Position	Best For
6 (highest usable position)	hamburgers, steaks
5	toasting bread, broiling most meats, melting cheese
4	thicker meats
3	broiling poultry, most baked goods on a cookie sheet or baking pan using a single rack, includes frozen convenience foods, cakes, casseroles, frozen pizza
2	small roasts or poultry, bundt cakes, pies, breads
1 (lowest position)	large roasts, turkey, angel food cake

Aluminum Foil

Do not use aluminum foil or protective liners to line any part of the appliance, especially the oven bottom. Installing these liners may result in risk of electric shock or fire.

Preheating the Oven

- Place oven racks in desired position before heating the oven.
- Preheat the oven when using the Bake, Convection Bake, Convection Multi Rack, Pizza, Broil, Convection Broil, and Warm modes.
- Preheat is not used for Roast, Convection Roast and Proof modes.
- Allow oven to preheat while preparing recipe ingredients or food items.
- Setting a higher temperature does not shorten preheat time.
- Once oven is preheated, place food in the oven as quickly as possible to minimize the loss of heat and reduction of oven temperature.
- Use Fast Preheat to speed up preheating time.

Preheat Reminders

Your oven has one of the fastest preheat times in the market using a concealed bake element. The lower element is hidden under the oven bottom. It is normal that the preheat time is different than your previous oven that had an exposed element on the bottom.

- Cleaning the oven is easier because there is no cleaning around a coil element showing on the bottom of the oven. The hidden lower element is protected from food soils and spills. Wiping up excess spills is easy.
- Preheating is not necessary for meats, poultry, casseroles and some frozen foods.
- Preheat time will be longer when the electrical supply to your house is less than 240 volts.
- Increasing the oven temperature will require a longer preheat time. For example, the preheat time for 425° F is longer than the preheat time for 350° F.

When broiling, preheat the oven 3-4 minutes. Do not preheat for more than 5 minutes.

For Best Results

- Use the cooking recommendations as a guide.
- Open the door as briefly as possible to avoid temperature reduction.
- Use the interior oven light to view the food through the oven window rather than opening the door frequently.
- Use the Kitchen Timer to keep track of cooking times.

Baking Pans and Dishes

- Glass baking dishes absorb heat. Reduce oven temperature 25° F when baking using glass dishes.
- Preheat the oven before adding glass baking dishes.
- Use pans that provide the desired browning. For tender, light, golden-brown crusts, use light, anodized or shiny metal bakeware.
- Dark, rough or dull pans (nonstick or anodized) will absorb heat and result in a browner, crisper crust. Some manufacturers recommend reducing the temperature 25° F when using this type of pan. Follow manufacturers' recommendations.
- Insulated cookie sheets or bakeware will increase the length of cooking time.
- Do not set any heavy object on the open oven door.
- Do not keep empty pans or pizza stones in the oven during cooking as this could change the cooking performance. Store pans outside the oven.

Opening the Oven Door

- Open and close the appliance door only by holding the door handle. To avoid risk of burns, do not touch any other parts of the door.

High Altitude Baking

- When cooking at high altitudes, recipes and cooking times will vary.
- For accurate information, write the Extension Service, Colorado State University, Fort Collins, Colorado 80521. There may be a cost for the guides. Specify which high altitude food preparation guide you prefer: general information, cakes, cookies, breads, etc.

Condensation

- It is normal for a certain amount of moisture to evaporate from the food during any cooking process. The amount depends on the moisture content of the food. The moisture may condense on any surface cooler than the inside of the oven, such as the control panel.

Temperature Range (°F) by Cooking Mode

Mode	Lowest	Highest
Bake	100	550
Roast	100	550
Broil (Low, High)	450	550
Warm	150	225
Proof	85	125
Convection Bake	100	550
Convection Multi-Rack	100	550
Convection Roast	100	550
Pizza	100	550
Convection Broil (Low,High)	450	550

Cooking Modes

Bake



Bake is cooking with dry, heated air. Both the upper and lower elements cycle to maintain the oven temperature.

The Bake mode can be used to prepare a variety of food items, from pastries to casseroles. Refer to recipe or package directions for oven temperature and baking time.

Tips

- When using the Bake mode, preheat the oven if the recipe recommends it.
- Baking time will vary with the size, shape and finish of the bakeware. Dark metal pans or nonstick coatings will cook faster with darker results. Insulated bakeware will lengthen the cook time for most foods.
- **For best results, bake food on a single rack** with at least 1 1/2" space between pans or dishes and oven walls.
- Eliminate heat loss from the oven by using the window to periodically check food for doneness instead of opening the door.

Auto Convection Conversion

Convection Bake and Convection Multi-Rack modes require a 25° F reduction in temperature. Auto Convection Conversion reduces the temperature you enter automatically. Simply enter the package or recipe temperature when setting the mode. The control calculates the correct temperature and it is shown in the display.

- The Auto Convection Conversion feature can be turned on to allow for automatic temperature adjustments. See “Auto Convection Conversion” in the “Settings” section for details

Convection Bake



Convection Bake is similar to Bake. Heat comes from the upper and lower heating elements. The main difference in convection baking is that the heat is circulated throughout the oven by the convection fan.

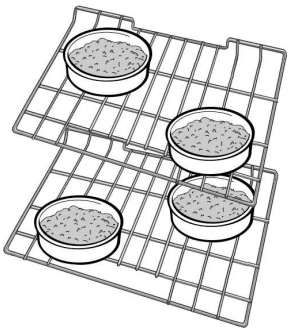
The Convection Bake mode is well suited for cakes, bar cookies and breads to take advantage of the bottom heat, yielding a better crust on baked items.

The benefits of Convection Bake include:

- Slight decrease in cook time.
- Higher volume (yeast items rise higher).

Tips

- Place food in shallow, uncovered pans such as cookie sheet without sides.
- For cakes use rack positions 2 and 5.
- If baking more than one pan on a rack, allow at least 1” to 1 1/2” of air space around the pan. Stagger pans so that one is not directly above the other (see graphic below). Use these rack positions.



Convection Multi-Rack



Convection Multi-Rack mode cooks with heat from a third element behind the back wall of the oven. The heat is circulated throughout the oven by the convection fan.

The Convection Multi-rack mode is well suited for cooking individual serving-sized foods such as cookies and biscuits. It is also good for cooking on multiple racks (2 or 3) at the same time. Baking cookies is possible on 6 racks simultaneously. In this case, the baking time increases slightly.

The benefits of Convection Multi-Rack include:

- Even browning.
- Time savings as a result of using multiple racks at one time.

Tips

- Reduce recipe temperature by 25° F if Auto Convection Conversion is not activated.
- Place food in low-sided, uncovered pans such as cookie sheets without sides.
- If baking more than one pan on a rack, allow at least 1” to 1 1/2” of air space around the pan. Stagger pans so that one is not directly above the other.

Pizza



In the **Pizza** mode, heat from the upper and lower elements is circulated throughout the oven by the convection fan.

Use the Pizza mode for fresh or frozen pizza.

Tips

- There might be a slight decrease in baking time. Check before minimum package time.
- When baking a frozen pizza:
For a crispy crust, place pizza directly on the rack.
For a softer crust, use a pizza pan.
- When proofing pizza dough, coat dough with olive oil and cover it in a bowl tightly with plastic wrap to prevent crust formation.
- Sprinkle cornmeal on the pizza pan to prevent sticking.
- If using a pizza paddle, sprinkle the paddle liberally with cornmeal for ease in transferring the dough to the pan.
- If par baking handmade pizza dough, prick the dough with a fork before baking.

- If using a pizza pan, choose a dark, perforated pan for a more crisp crust and a non-perforated pan for a softer crust.
- Preheat baking stones following manufacturer's recommendations while the oven is preheating.
- Bake homemade pizzas on rack position 2 in the center of the rack.
- Follow manufacturer's directions for frozen pizza.
- The convection fan cycles on and off when using pizza mode.

Roast



Roast uses both the upper and lower elements to maintain the oven temperature. Roasting uses more intense heat from the upper element than the lower element. This results in more browning of the exterior while the inside remains especially moist.

Roast is best suited for meat and poultry and less tender cuts of meat.

Tips:

- Preheating the oven is not necessary.
- Use a high-sided broil pan or roasting pan. Cover dish with a lid or foil for less tender cuts of meat.
- For less tender cuts of meat, add liquids such as water, juice, wine, bouillon or stock for flavor and moisture.
- Roasting bags and using a lid are suitable for use in this mode.
- When roasting whole chicken or turkey, tuck wings behind back and loosely tie legs with kitchen string.

Convection Roast



Convection Roast uses heat from the top and bottom elements as well as heat circulated by the convection fan.

The Convection Roast mode is well suited for preparing tender cuts of meat and poultry. It is also suitable for roasting vegetables.

The benefits of Convection Roast include:

- As much as 25% faster cooking than non-convection modes.
- Rich, golden browning.

Tips:

- Preheating the oven is not necessary.
- Use the same temperature as indicated in the recipe.

- Check doneness early, since roasting time may decrease. Refer to the Meat/Poultry cooking chart for examples.
- Do not cover meat or use cooking bags.
- Use a broil pan with a rack and grid or a shallow, uncovered pan with a rack for roasting.
- Use a meat thermometer to determine the internal temperature of the meat.
- If the meat is browned to your liking, but is not yet done, a small strip of foil can be placed over the meat to prevent overbrowning.
- Let meat stand covered with foil for 10 to 15 minutes after removing it from the oven.
- Refer to the Meat/Poultry Cooking Chart for recommended rack positions.

Broil



Broil uses intense heat radiated from the upper element.

The Broil mode is best suited for cooking thin, tender cuts of meat (1" or less), poultry and fish. It can also be used to brown breads and casseroles. Always broil with the door closed. The benefits of broiling include:

- Fast and efficient cooking.
- Cooking without the addition of fats or liquids.

Tips:

- Preheat oven 3–4 minutes. Do not preheat for more than 5 minutes.
- Steaks and chops should be at least ¾" thick.
- Brush fish and poultry with butter or oil to prevent sticking.
- Use a broil pan and grid, or a deep pan with a metal rack, for broiling.
- Do not cover the broil grid with foil. It is designed to drain fats and oils away from the cooking surface to prevent smoking and spattering.
- Turn meats (other than fish) once during the recommended cook time. Fish does not need to be turned.
- When top browning casseroles, use only metal or glass ceramic dishes such as CorningWare®.
- Never use heat-proof glass (Pyrex®); it cannot tolerate the high temperature.
- For broil times, refer to the Meat/Poultry Cooking Chart.

Convection Broil



Convection Broil is similar to Broil. It combines intense heat from the upper element with heat circulated by a convection fan.

The Convection Broil mode is well suited for cooking thick, tender cuts of meat, poultry and fish. Convection Broil is not recommended for browning breads, casseroles and other foods. Always use convection broil with the door closed.

In addition to the benefits of standard broiling, convection broiling is faster.

Tips:

- Preheat oven 3–4 minutes. Do not preheat for more than 5 minutes.
- Steaks and chops should be at least 1 1/2" thick.
- Use a broil pan and grid, or a deep pan with a metal rack, for broiling.
- Do not cover the broil grid with foil. It is designed to drain fats and oils away from the cooking surface to prevent smoking and spattering.
- Turn meats once during the recommended cook time. Fish does not need to be turned.
- Never use heat-proof glass (Pyrex®); it cannot tolerate the high temperature.
- For Convection Broil times, refer to the Meat/Poultry Cooking Chart.

Proof



In **Proof**, the oven uses the lower element to maintain a low temperature to proof bread or other yeast doughs.

- No preheat is necessary.
- Proofing is the rising of yeast dough.
- The Proof mode temperature range is 85° F to 125° F.
- The default temperature in the Proof mode is 100° F.
- Loosely cover the bowl or pan and use any rack that accommodates the size of the container.
- Keep the oven door closed and use the oven light to check the rising of the dough.

Warm



In **Warm**, the upper and lower elements maintain a low temperature in the oven cavity in order to keep food at serving temperature.

- Use the Warm mode to keep cooked foods hot (for up to one hour) until ready to serve.
- Warm mode temperatures are 150° F to 225° F.
- The default temperature in the Warm mode is 170° F.
- Foods that must be kept moist should be covered with a lid or aluminum foil.

▲ CAUTION

When using Warm mode, follow these guidelines:

- Do not use the Warm mode to heat cold food.
 - Be sure to maintain proper food temperature. The USDA recommends holding hot food at 140° F or warmer.
 - DO NOT warm food longer than one hour.
-

Getting the Most Out of Your Warming Drawer

About the Appliance

The warming drawer will keep hot, cooked foods at serving temperature. Always start with hot food. DO NOT use to heat cold food, crisping crackers, chips, dry cereal, warming breads and biscuits, or warming dishes or plates.

The warming drawer has a push-to-open feature. Push in on the front of the drawer to cause the drawer to open.

General Tips

Refer to the Warming Drawer Chart for recommended settings.

- To keep several different foods hot, set the temperature for the food needing the highest setting.
- Place items needing the highest setting toward the side of the drawer and items needing less heat in the center of the drawer.
- Food should be at serving temperature (above 140° F) before being placed in the warming drawer. DO NOT use to heat cold food other than crisping crackers, chips, and dry cereal, or warming dishes or plates.
- Preheat empty serving dish while preheating drawer if desired.
- Place cooked, hot food in warming drawer in its original cooking container or in a heat-safe serving dish.
- Aluminum foil may be used to cover food; However, DO NOT line the warming drawer with aluminum foil.
- Do not use the warming drawer for storage.

Use of Your Appliance

CAUTION

To maintain food safety, do not leave food in the oven for more than one hour before or after cooking.

IMPORTANT:

Plastic containers or plastic wrap can melt if in direct contact with the drawer or a hot utensil. If it melts onto the drawer, it may not be removable.

Note:

Use heat-safe dishes only.

Preheating the Warming Drawer

Preheat the warming drawer when warming food. For best results, preheat for the following times:

Setting	Preheat Time
LOW	10 minutes
MED	15 minutes
HIGH	20 minutes

Warming Food

1. Preheat warming drawer.
2. Place cooked, hot food in the drawer.

It is okay to leave food in the cookware it was prepared. Alternatively, you can transfer food to a heat-safe serving dish before placing it in the warming drawer.

Aluminum foil or lid may be used to cover food.

Warming Plates and Bowls

Use only heat-safe dishes. Place empty dishes or plates in a cold warming drawer. No need to preheat.

Select **LOW**.

Crisping Stale Items

Place food in low sided dishes or pans.

1. Press **LOW**.
2. Preheat for 10 minutes, then place dish in drawer.
3. Set the warming timer.
4. Check crispness after 45 minutes. Add time as needed.

Temperature Recommendations

Food/Cookware	Setting	Cover Dish
Bacon	HIGH	No
Beef, medium and well done	MED	No
Beef, medium rare	LOW	No
Bread, hard rolls	MED	No
Bread, soft rolls, coffe cakes	MED	Yes
Biscuits	MED	Yes
Casseroles	MED	Yes
Eggs	MED	Yes
Fish, seafood	MED	Yes
Fried foods	HIGH	No
Gravy, cream sauces	MED	Yes
Ham	MED	Yes

Pancakes	HIGH	Yes
Pies, one crust	MED	Yes
Pies, two crusts	MED	No
Pizza	HIGH	No
Pork	MED	Yes
Potatoes, baked	HIGH	Yes
Potatoes, mashed	MED	Yes
Poultry, roasted	MED	Yes
Vegetables	MED	Yes
Plates	LOW	No
Plate of food	MED	Yes

Cleaning and Maintenance

Care and Cleaning

Cleaning the Cooktop

⚠ CAUTION

Do not use any cleaner on the glass while the surface is hot. The resulting fumes can be hazardous to your health. Heated cleaner can chemically attack and damage surface. Use only the razor blade scraper.

Precautions for Long Life and Good Appearance of the Surface

- Regular, daily care using the glass ceramic cooktop cleaner will protect the surface and make it easier to remove food soil and water spots.
- The glass ceramic cooking surface is a durable material resistant to impact but not unbreakable if a pan or other object is dropped on it.
- Never cook food directly on the glass.
- Avoid placing a wok support ring, trivet or other metal stand on glass surface.
- Do not use the glass surface as a cutting board.
- Do not slide cookware across the cooking surface; it may scratch the glass.
- Do not place wet pans on the glass surface.

Before Use Care

Care is easy when preventative steps are taken. For example, apply a small amount of glass ceramic cooktop cleaner (packaged with range) on a daily basis. This provides a protective film that makes it easy to remove water spots or food spatters. The temperature of the cooking surface reduces the protective qualities of this cleaner. It must be reapplied before each use. Use a clean cloth and apply glass ceramic cooktop cleaner before each use to remove dust or metal marks that can occur on the counter level surface between uses.

Daily Cleaning Techniques

1. Clean the surface when completely cool with the glass ceramic cooktop cleaner.
Exception: Remove dry sugar, sugar syrup, tomato products and milk immediately with the razor blade scraper (See Cooktop Care Chart, next page).

2. Wipe off spatters with a clean, damp sponge or paper towel. Rinse and dry. Use white vinegar if smudge remains; rinse.
3. Apply a small amount of the glass ceramic cooktop cleaner. When dry, buff surface with a clean paper towel or cloth.

Using the Razor Blade Scraper

Use the scraper to remove dried or baked on foods. Hold the scraper at a 30° angle. Move it over the soil to lift it off of the cooktop. Finish with a clean, damp sponge or paper towel. Apply white vinegar if smudge remains and rinse.

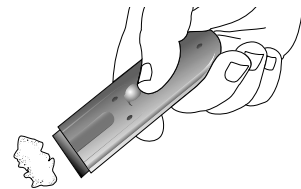


Figure 1: Scraper

⚠ WARNING

RISK OF INJURY

The blade is extremely sharp. Risk of cuts. Protect the blade when not in use. Replace the blade immediately when any imperfections are found. Follow manufacturer's instructions.

Cleaning the Control Knobs

1. Pull out and off to remove both knob. Wipe with hot, soapy cloth, rinse and dry. Do not soak.
2. To replace, push knob straight onto shaft.

Do Not Use the Following Cleaners

- Glass cleaners which contain ammonia or chlorine bleach. These ingredients may permanently etch or stain the cooktop.
- Caustic Cleaners
- Oven cleaners such as Easy Off® may etch the cooktop surface.
- Abrasive Cleaners

- Metal scouring pads and scrub sponges such as Scotch Brite® can scratch and/or leave metal marks.
- Soap-filled scouring pads such as SOS® can scratch the surface.
- Powdery cleaners containing chlorine compounds can permanently stain cooktop.
- Flammable cleaners such as lighter fluid or WD-40.

Cooktop Care Chart

Type of Soil	Possible Solution
Dry sugar, sugar syrup, milk or tomato spills. Melted plastic film or foil. All these items require immediate removal. Remove only these types of spills while the surface is hot using the razor blade scraper. Be sure to use a new, sharp razor in your scraper.	Remove pan and turn off the element. Wearing an oven mitt, hold scraper at 30° angle, using care not to gouge or scratch the glass. Push soil off the heated area. After the surface has cooled, remove the residue and apply the glass ceramic cooktop cleaner.
Burned-on food soil, dark streaks, and specks	Soften by laying a damp paper towel or sponge on top of soil for about 30 minutes. Use a plastic scrubber and glass ceramic cooktop cleaner or use the razor blade scraper. Rinse and dry.
Greasy spatters	Use a soapy sponge or cloth to remove grease; rinse thoroughly and dry. Apply glass ceramic cooktop cleaner.
Metal marks: Iridescent stain	Pans with aluminum, copper or stainless steel bases may leave marks. Treat immediately after surface has cooled with glass ceramic cooktop cleaner. If this does not remove the marks, try a mild abrasive (Bon Ami®, Soft Scrub® without bleach), Bar Keeper's Friend® with a dampened paper towel. Rinse and reapply creme. Failure to remove metal marks before the next heating makes removal very difficult.

Type of Soil	Possible Solution
Hard Water Spots - Hot cooking liquids dripped on surface	The minerals in some water can be transferred onto the surface and cause stains. Use undiluted white vinegar, rinse and dry. Recondition with glass ceramic cooktop cleaner.
Surface scratches - Small scratches are to be expected on the glass surface, but do not affect cooking. In time, small scratches will become smoother and much less noticeable with daily use of the glass ceramic cooktop cleaner.	Apply Cleaning Creme before using to remove sand-like grains and grit such as salt and seasoning. Can be reduced by using pans with bases that are smooth, clean, and dry before use. Use recommended glass ceramic cooktop cleaner daily on the cooktop.

Cleaning the Oven

⚠ WARNING

Children should not be left alone or unattended in an area where appliances are in use. During the Self Clean cycle, parts of the appliance may become potentially harmful to persons who lack adult knowledge of appliances and adult reactions to potentially harmful conditions.

During the elimination of soil during self-cleaning, small amounts of carbon monoxide can be created. Fiberglass insulation could give off very small amounts of formaldehyde during the first several cleaning cycles. To minimize exposure to these substances, provide good ventilation with an open window, or use a ventilation fan or hood.

Self Clean


During Self Clean, the oven is heated to a very high temperature. Soil is burned off at this temperature.

NOTICE:

- Wipe out excessive spillage before self-cleaning the oven.
- Do not clean parts or accessories in the Self Clean oven. Remove all baking dishes and oven racks from the oven prior to running Self Clean.

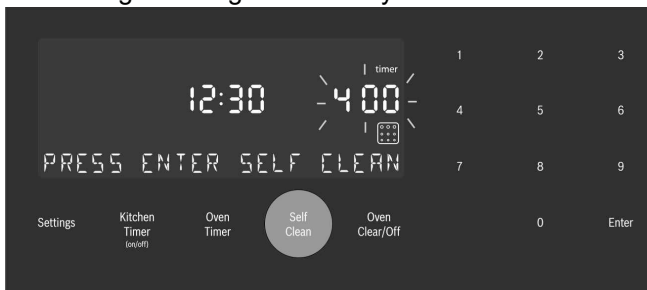
To set the Self Clean mode

1. Remove all accessories and racks from the oven.
2. If there is a cooking mode on, press **Oven Clear/Off** to end the running mode.
3. Press the **Self Clean** button below the display.

The Self Clean icon  appears in the display. The Self Clean timer default (4:00) hours blinks to indicate it can be accepted or changed.


To accept the 4:00 hour default Self Clean time, press **Enter** on the numeric keypad.

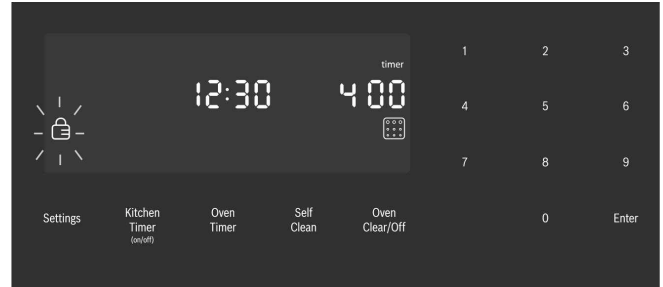
To enter a different number of hours use the numeric keypad. The value entered must be within the range of 2:00 to 4:00 hours. Entering a value less than 2:00 or greater than 4:00 results in an error tone and message. Use a longer setting for a heavily soiled oven.



4. When the desired Self Clean time is displayed, press **Enter**.

The oven door locks prior to starting Self Clean.

The door lock symbol  is displayed and blinks while the door is being locked. Once locked, the door lock symbol is continuously illuminated (not blinking).



The door lock symbol remains illuminated as long as the Self Clean mode is running.

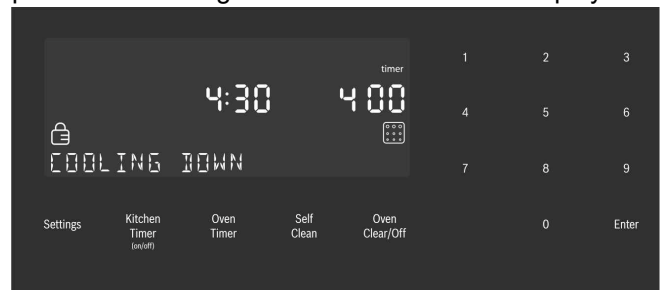
Note: The door remains locked until the oven has cooled down after self-cleaning. The door can be opened again only after "SELF CLEAN" disappears from the display.

5. **Self Clean** starts and the oven Self Clean timer begins its countdown.

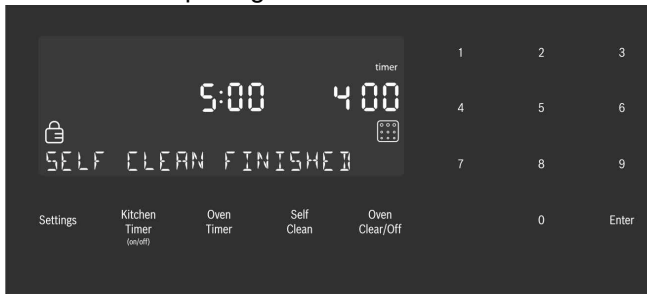
To Cancel Self Clean

Press the **Oven Clear/Off** button to cancel Self Clean.

When the Self Clean timer ends, for safety the unit must cool down before the door can unlock. During this period the message "COOLING DOWN" is displayed.



6. When the cool down is complete, the message “SELF CLEAN FINISHED” is displayed. Continue to use caution when opening the oven door.



7. Press **Oven Clear/Off** to clear the display when Self Clean is finished.
8. After the oven has cooled down and the door is unlocked, wipe remaining ash from the oven using a moist cloth.

Note:

- The oven light cannot be turned on during self-cleaning.
- The special heat-resistant enamel and the polished components in the oven can become discolored over time. This is normal and does not affect operation. Do not use scouring pads or abrasive cleaners to treat discolorations.

Avoid These Cleaners

Do not use commercial oven cleaners such as Easy Off®. They may damage the oven finish or parts.

Chlorine or chlorine compounds in some cleansers are corrosive to stainless steel. Check ingredients on label.

Never use scouring pads or abrasive cleaners.

Oven Cleaning Guide

Part	Recommendations
Flat Rack	Wash with hot soapy water. Rinse thoroughly and dry, or gently rub with cleansing powder or soap-filled pads as directed. DO NOT clean the rack in the self-cleaning oven. If flat racks are cleaned in the oven during the Self Clean mode, they will lose their shiny finish and may not glide smoothly. If this happens wipe the rack edges with a small amount of vegetable oil. Then wipe off excess.

Part	Recommendations
Telescopic Rack	Wash with soapy water. Rinse thoroughly and dry, or gently rub with cleansing powder or soap-filled pads as directed. Avoid getting cleansing powder in the telescopic slides. Re-lubrication may become necessary. Use only high-temperature food-grade lubricants to re-lubricate slides. DO NOT clean the rack in the self-cleaning oven. DO NOT leave the rack in the oven during Self Clean. If the telescopic rack is cleaned in the oven during the Self Clean mode it will lose its shiny finish and will not glide smoothly.
Fiberglass Gasket	DO NOT CLEAN GASKET.
Glass	Wash with soap and water or glass cleaner. Use Fantastik® or Formula 409® to remove grease splatters and stubborn stains.
Painted Surfaces	Clean with hot soapy water or apply Fantastik® or Formula 409® to a clean sponge or paper towel and wipe clean. Avoid using powder cleaning agents, steel wool pads and oven cleaners.
Porcelain Surfaces	Immediately wipe up acid spills like fruit juice, milk and tomatoes with a dry cloth. Do not use a moistened sponge/cloth on hot porcelain. When cool, clean with hot soapy water or apply Bon-Ami® or Soft Scrub® to a damp sponge. Rinse and dry. For stubborn stains, use soap-filled pads. It is normal for porcelain to show fine lines with age due to exposure to heat and food soil.

Part	Recommendations
Stainless Steel Surfaces	<p>Always wipe or rub in the direction of the grain. Clean with a soapy sponge, then rinse and dry, or wipe with Fantastik® or Formula 409® sprayed on a paper towel. Protect and polish with Stainless Steel Magic® and a soft cloth. Remove water spots with a cloth dampened with white vinegar.</p> <p>Do not use any abrasives such as steel wool pads, Softscrub®, or BonAmi®.</p> <p>Chlorine or chlorine compounds in some cleaners are corrosive to stainless steel. Check ingredients on label before using.</p>
Black Stainless Surfaces	<p>For black stainless steel and anti-fingerprint surfaces, use a soft, dry towel. For stubborn dirt, use warm water diluted with a non-abrasive, mild cleansing soap. Never use stainless steel polish.</p>
Probe	<p>Wipe with soapy water. Do not submerge. Do not wash in the dishwasher.</p>
Printed Areas (Words and Numbers)	<p>Do not use abrasive cleansers. When cool, clean with soapy water, rinse, dry.</p>
Plastic & Controls	<p>When cool, clean with soapy water, rinse and dry.</p> <p>Do not use any abrasives such as steel wool pads, Softscrub®, or BonAmi®.</p>

Cleaning the Warming Drawer

Part	Recommendations
Drawer interior (polished stainless steel)	<p>Use dish detergent. Wash, rinse well and dry. For hard water spots or scale, use white vinegar. Apply with a sponge or cloth, rinse, and dry. Chlorine or chlorine compounds in some cleansers are corrosive to stainless steel. Check ingredients on label.</p>
Painted surfaces	<p>Use hot soapy water or mild cleaners such as Fantastik® or Formula 409®. Wash, rinse well and dry. Avoid using abrasive cleaning agents, steel wool pads and oven cleaners.</p>
Drawer exterior frame (brushed stainless steel)	<p>Always wipe or rub in the direction of the grain. Clean with a soapy sponge, then rinse and dry, or wipe with Fantastik® or Formula 409® sprayed on a paper towel. Protect and polish with Stainless Steel Magic® and a soft cloth. Remove water spots with a cloth dampened with white vinegar. Use Bar Keeper's Friend® to remove heat discoloration. Chlorine or chlorine compounds in some cleansers are corrosive to stainless steel. Check ingredients on label.</p>

Maintenance

Cooktop Maintenance

Glass Ceramic Cooktop Models

- Regular, daily care using the glass ceramic cooktop cleaner will protect the surface and make it easier to remove food soil and water spots.
- The glass ceramic cooking surface is a durable material resistant to impact but not unbreakable if a pan or other object is dropped on it.
- Avoid placing a wok support ring, trivet or other metal stand on the glass surface.


Oven Maintenance

Replacing an Oven Light

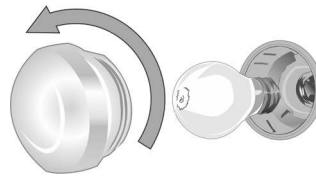
▲ WARNING

- Make sure the appliance and lights are cool and power to the appliance has been turned off before replacing the light bulb(s). Failure to do so could result in electrical shock or burns.
- The lenses must be in place when using the appliance.
- The lenses serve to protect the light bulb from breaking.
- The lenses are made of glass. Handle carefully to avoid breaking. Broken glass could cause an injury.
- Light socket is live when door is open.

Bulb specifications

Bulb Description	Bulb Image
40 watt, appliance bulb, standard Edison base	

To change the bulb



1. Turn off power to the oven at the main power supply (fuse or breaker box).
2. Remove the glass cover by unscrewing it. Turn the glass counterclockwise to remove it.
3. Remove the bulb. The bulb unscrews counterclockwise.
4. Grasp the new bulb with a clean, dry cloth to prevent depositing skin oils on the glass which could lead to premature bulb failure. Replace the bulb by screwing it in turning the bulb clockwise.
5. Screw the glass cover back on.
6. Turn power back on at the main power supply (fuse or breaker box).

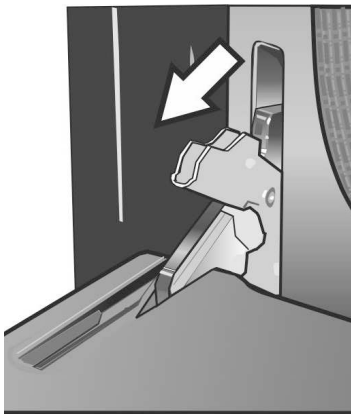
Removing the Oven Door

⚠ WARNING

When removing the door:

- Make sure oven is cool and power to the oven has been turned off before removing the door. Failure to do so could result in electrical shock or burns.
- The oven door is heavy and parts of it are fragile. Use both hands to remove the oven door. The door front is glass. Handle carefully to avoid breakage.
- Grasp only the sides of the oven door. Do not grasp the handle as it may swing in your hand and cause damage or injury.
- Failure to grasp the oven door firmly and properly could result in personal injury or product damage.
- To avoid injury from hinge bracket snapping closed, be sure that both levers are securely in place before removing the door. Also, do not force door open or closed—the hinge could be damaged and injury could result.
- Do not lay removed door on sharp or pointed objects as this could break the glass. Lay on a flat, smooth surface, positioned so that the door cannot fall over.

To remove the oven door



To help avoid injury or damage be sure to read the above WARNING before attempting to remove the oven door.

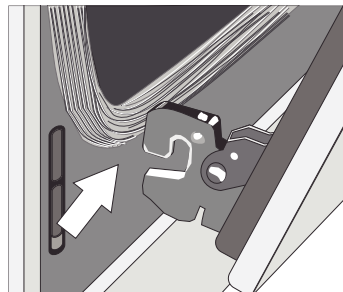
1. Open the oven door to its fully open, horizontal position.
2. Flip levers on hinges toward you.

Note: It may be necessary to use a tool, such as a screwdriver, to gently pry the upper part of the lever away from the housing. Take care to avoid scratching the housing.

3. Bring both door hinge levers to their fullest down position as shown in the illustration. The left and right door hinges may differ slightly but operate in the same manner.

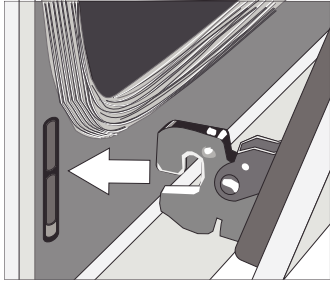


4. Close the oven door until it catches on the hinge stop levers, locking the hinges at the proper angle for door removal. The door will be open about 7 inches at the top. This takes the spring tension off the hinges so the door can be easily lifted out.

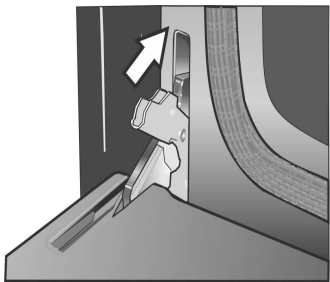


5. The door is heavy. Use both hands to firmly grip it by the sides. Do not grip the door by the handle. Maintaining the door angle, lift the door straight up approximately 3/4" to unhook the hinges from the slots and then pull it out towards you until the hinges are clear of the oven housing.
6. Place the door in a convenient and stable location for cleaning.

To replace the oven door



1. Holding the door firmly in both hands, grip it on either side, not by the handle.
2. Tilt the door back slightly towards you until it opens about 7" at the top.
3. Slide the hinges into the slots as far as they will go and then lower the door straight down. The angle of the door may need to be adjusted slightly to allow the hinges to engage properly and the door to lower into place. The door should lower about 3/4" and stop. If not, the hinges have not engaged properly and the door could fall if it is released.
4. Once both hinges are fully engaged as described in Step 3, gently open the door until it is fully open.



5. Push the levers on both the hinges up and forward until they are locked into the slot, flush with the front of the oven body.
6. Close and open door slowly to be sure it is correctly and securely in place.

Warming Drawer Maintenance

Removing the Drawer

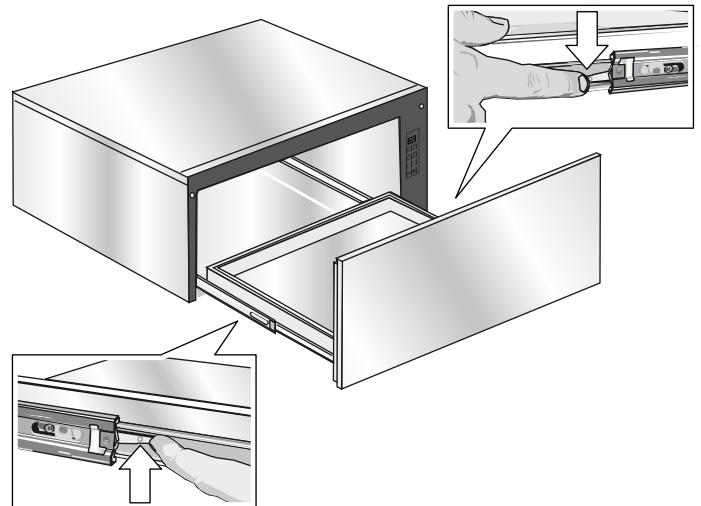
⚠ CAUTION

To prevent burns, do not remove drawer while hot. Be sure drawer is empty before removing.

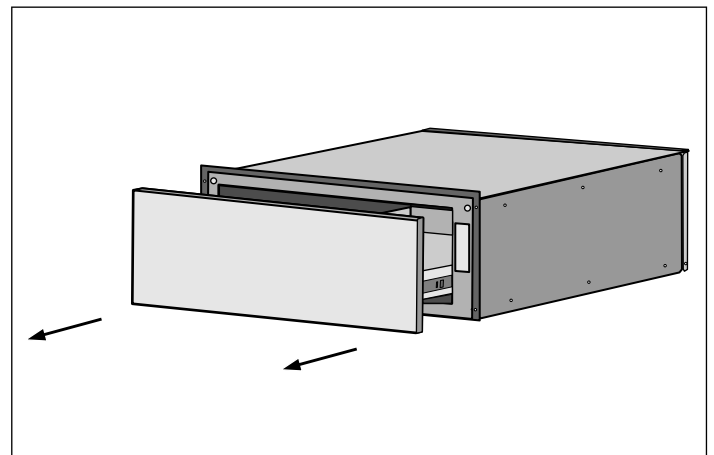
Removing Drawer from Housing

NOTICE: The following is the manufacturer's recommendations for removing and installing the drawer to minimize the risk of damage to the PTO mechanism.

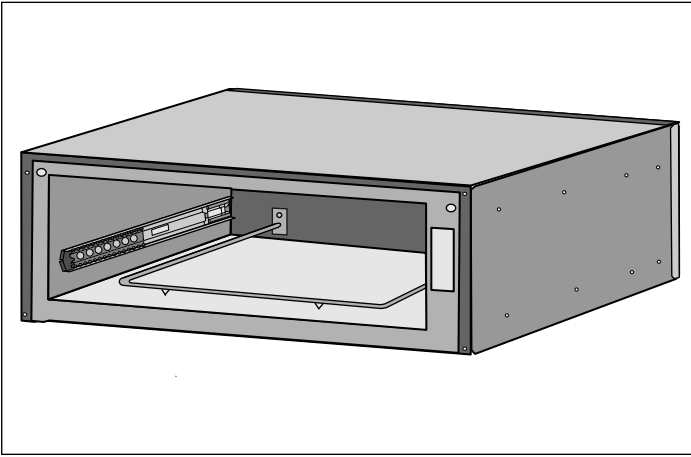
1. Remove the drawer from the drawer housing.
 - Pull drawer to fully open position.
 - Press down right drawer release lever.
 - Lift up left drawer release lever.
 - Firmly pull the drawer straight out.
 - Retract cabinet rails while drawer is removed.



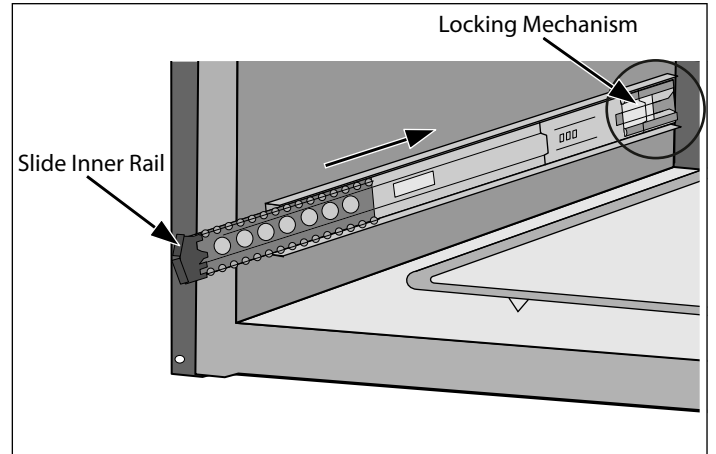
2. Grasp both sides of the drawer and pulling straight and level, carefully remove the drawer housing. This step may require light to moderate force to completely remove drawer.



3. Install or service (clean) housing with drawer removed.



1. With the drawer removed, set the slide inner rail to the drawer locked position by pushing the slide inner rail **toward** the rear of the housing until it locks in place.

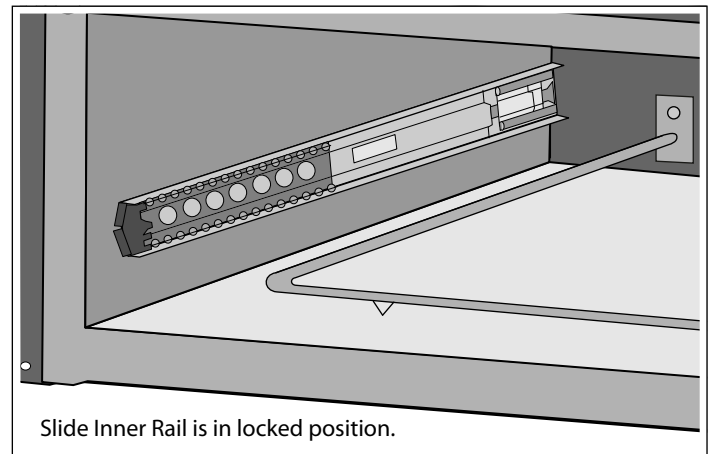
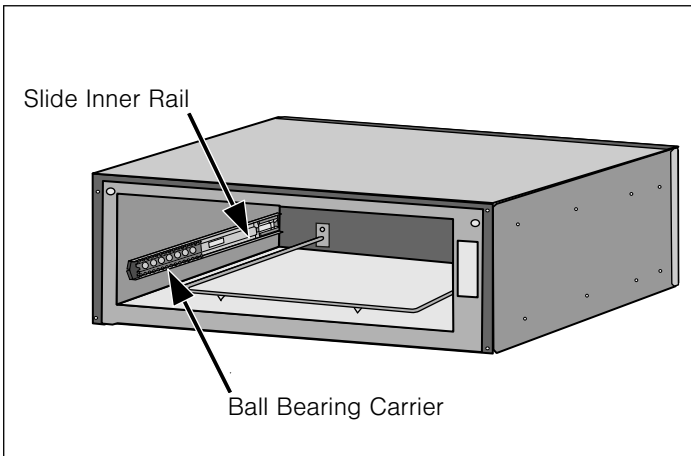


Installing Drawer to Housing

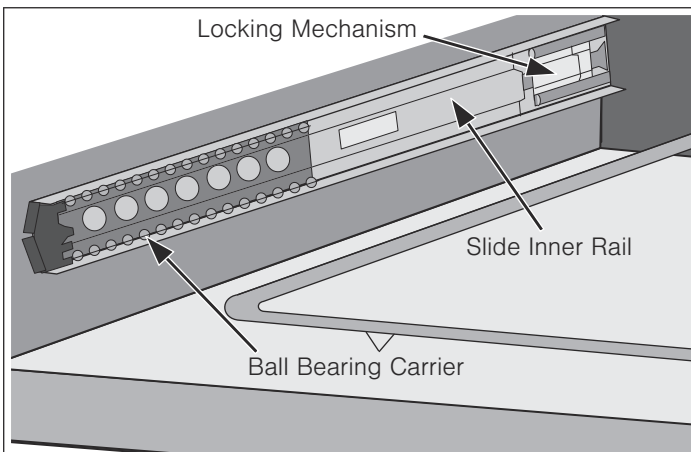
The slides mounted to each side of the housing wall have two moving components, an inner rail and a ball bearing carrier which need to be in the proper orientation for accurate installation and alignment.

There is also a visible locking mechanism located at the rear of each slide.

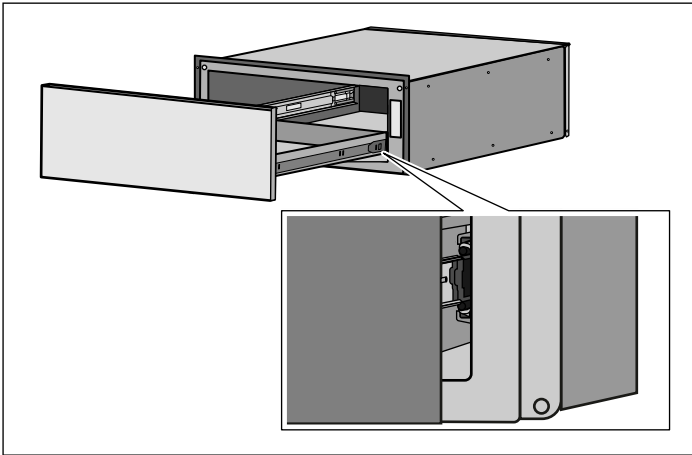
Note: A moderate force pushing on the black plastic ball carrier locking mechanism is required to set the slide to the drawer locked position. The drawer is locked when it remains in place and does not spring back to the open position.



Note: The housing of your warming drawer should match the image below identically before starting your installation. The ball bearing carrier should be locked in to the inner rail's black plastic rail tip at the front of the inner rail.

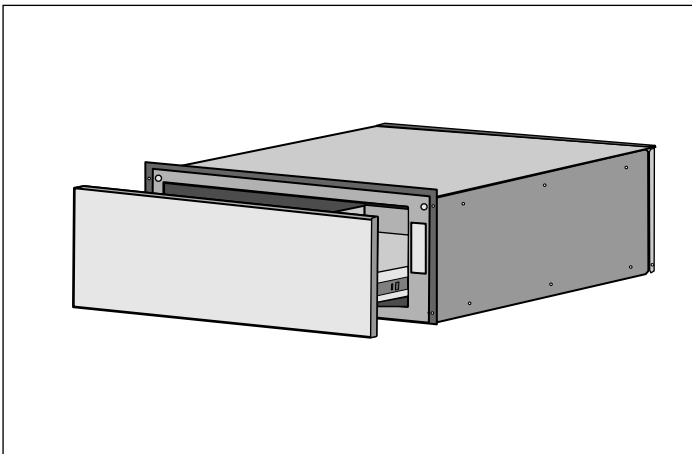


2. Position the drawer assembly in front of the housing assembly and align the rail (plastic rail tip) to the slide ball carrier assembly. Keeping the drawer assembly level and square to the housing, gently insert the drawer to the housing assembly.



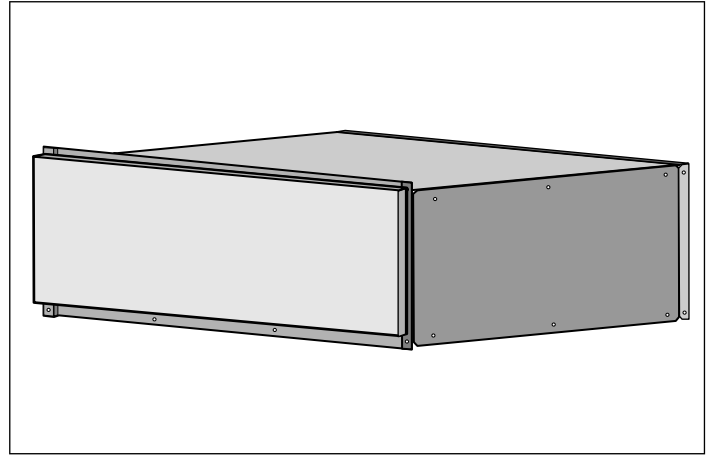
Notes

- A slight side-to-side wiggle motion may be required to properly get the ball bearings to accurately align.
 - **Remember:** You are attempting to align two sets of ball bearings at this point. If more than a moderate force is required to insert the drawer at this time, remove the drawer and repeat the installation procedure to this point.
3. Continue to insert the drawer keeping the drawer level and square to the housing until a slight increase in resistance is felt at the approximate position shown below.

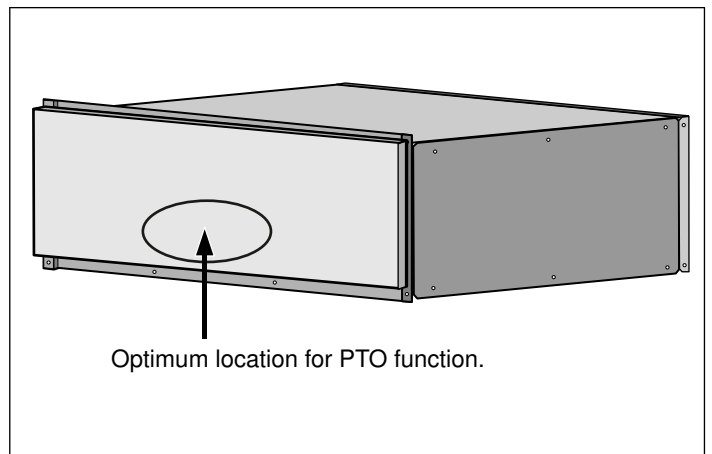


NOTICES

- At this position, a slight increase in closure force is required with several small increments of force applied to the drawer to accurately align and set the drawer for proper operation.
- An audible “click” should be heard when the drawer is properly closed causing the drawer to lock in the closed position.



4. Test the operation of the PTO drawer by pushing on the center lower portion of the drawer front (optimum location for function).



Note: It should be noted the recommended and optimum location for opening the drawer is the lower center front. The drawer will operate with an opening force applied to any location on the drawer front, however a slight increase in opening force may be required.

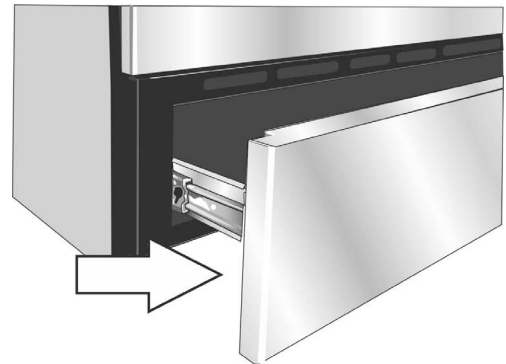
Service

How to Obtain Service or Parts

To reach a service representative, see the contact information at the front of the manual. Please be prepared with the information printed on your product rating label when calling.

Rating Label

The rating label shows the model and serial number. Refer to the rating label on the appliance when requesting service. The rating label is located on the back side of the drawer front. Open the drawer to view it.



Self Help

Cooktop Troubleshooting

Use these suggestions before calling for service to avoid service charges.

Cooktop Problem	Possible Causes and Suggested Solutions
Element cycles more than usual	Pan base is warped and not making full contact with heating surface. Base diameter of pan is too small for the size of the element. Pan ingredients have boiled dry. Material of pan is a poor heat conductor; heat transfers too slowly.
A slight odor is noticeable when an element is turned on	This is normal with new cooktops and will disappear after several uses.
Cooktop controls will not turn on	Range is not receiving power. Check the power source to see if a fuse has blown or if the circuit breaker tripped. Check cord to see if it is inserted completely into outlet. Cooktop panel is locked. Press and hold Panel Lock until indicator light turns off.
Scraper is not working properly.	The scraper blade is dull. The scraper is packaged with single-edge, stainless steel blades. Replace with a standard single-edge blade.
Cooking results are not what was expected.	The cooktop is not level. Adjust leveling legs on bottom of range. Cooking pan is not the appropriate size or type. See "Cookware Selection Guide".
Element cycles on the highest setting	This is normal. The temperature limiter operates automatically to protect the glass ceramic surface from extreme high temperature damage.
Water takes too long to boil	Time to boil can vary greatly depending on environmental conditions. See "Boiling Water" in this manual for tips to decrease time to boil.

Oven Troubleshooting

Use these suggestions before calling for service to avoid service charges.

Oven Problem	Possible Causes and Suggested Solutions
The oven mode or temperature selected or the numbers selected do not appear in the display	Review manual instructions when setting clock, timer, or Self Clean.
Oven door is locked and will not release, even after cooling	Turn the oven off at the circuit breaker and wait 5 minutes. Turn breaker back on. The oven should reset itself and will be operable.
Oven is not heating	Check circuit breaker or fuse box to your house. Make sure there is proper electrical power to the oven. Be sure oven temperature has been selected.
Oven is not cooking evenly	Adjust oven calibration if necessary (see "Change the Oven Temperature Offset" in this manual). Refer to cooking charts for recommended rack position.
Baking results are not as expected	Refer to cooking charts for recommended rack position. Check "Getting the Most out of Your Oven" for tips and suggestions. Adjust oven calibration if necessary (see "Oven Temperature Offset" on page 18).
Food takes longer to cook than expected	The oven is carefully calibrated to provide accurate results. However, the temperature can be offset if food is consistently too brown or too light. See "Oven Temperature Offset" on page 18.
Food is overcooked	The oven is carefully calibrated to provide accurate results. However, the temperature can be offset if food is consistently too brown or too light. See "Oven Temperature Offset" on page 18.
Convection Bake or Convection Multi-Rack Results are not as Expected	If the Automatic Convection Conversion Feature is turned off, the temperature must be manually reduced by 25° F. If the feature is active, the temperature is automatically adjusted. See "Turn Automatic Convection Conversion ON or OFF" for more information. Refer to cooking charts and tips for rack positions, cooking times and pan selection. Adjust oven calibration if necessary. See "Oven Temperature Offset" on page 18.
Oven temperature is too hot or too cold	The oven thermostat needs adjustment. See "Oven Temperature Offset" on page 18.
Oven light is not working properly	Replace or reinsert the light bulb if loose or defective. Touching the bulb with fingers may cause the bulb to burn out.
Oven light will not turn off	Check for obstruction in oven door. Check to see if hinge is bent. When the Sabbath feature is activated, the oven light will stay on or off (as selected during set-up) during the entire Sabbath Mode.
Cannot remove lens cover on light	There may be soil build-up around the lens cover. Wipe lens cover area with a clean dry towel prior to attempting to remove the lens cover.
Oven will not Self Clean properly	Allow the oven to cool before running Self Clean. Always wipe out loose soils or heavy spillovers before running Self Clean. If oven is badly soiled, set oven for a four-hour Self Clean. See Preparing the Oven to Self Clean.
Clock and timer are not working properly	Make sure there is electrical power to oven. See Clock and Timer sections.
Porcelain chips	When oven racks are removed and replaced, always tilt racks upward and do not force them to avoid chipping the porcelain.
"F" and a number appears in display and control beeps	This is a fault code. Press Off to clear the display and stop beeping. Reset oven if necessary. If fault code remains and beep continues, record fault code, cancel oven and call authorized service technician.

Oven Problem	Possible Causes and Suggested Solutions
With a new range there is a strong odor when oven is turned on	This is normal with a new range and will disappear after a few uses. Operating the Self Clean cycle will also “burn-off” the smell more quickly.
Control does not react when the pad is touched	Be sure that pad is clean. Touch the center of the button. Use the flat part of your finger.
Fan is running during modes that don't use convection	On some models, the convection fan will run while the oven is preheating for the bake mode. This is normal. Slide-in models also have a cooling fan that runs during every cooking mode.
Warm air or steam escapes from oven vent	It is normal to see or feel steam or warm air escaping from the oven vent. Do not block the vent.
Cooling fan runs after oven is turned off (Slide-in ranges only)	This is normal. When the oven has cooled to a pre-determined temperature, the cooling fan turns off.
The cooktop does not operate during Self Clean	This is normal for some models. Operation will return once Self Clean is complete.

Statement of Limited Product Warranty

What this Warranty Covers & Who it Applies to

The limited warranty provided by BSH Home Appliances “Bosch” in this Statement of Limited Product Warranty applies only to the Bosch appliance sold to you, the first using purchaser, provided that the Product was purchased:

- For your normal, household (non-commercial) use, and has in fact at all times only been used for normal household purposes.
- New at retail (not a display, “as is”, or previously returned model), and not for resale, or commercial use.
- Within the United States or Canada, and has at all times remained within the country of original purchase.

The warranties stated herein apply to the original purchaser of the product warranted herein and to each succeeding owner of the product purchased for ordinary home use during the term of the warranty.

Please make sure to return your registration card; while not necessary to effectuate warranty coverage, it is the best way for Bosch to notify you in the unlikely event of a safety notice or product recall.

How Long the Warranty Lasts

Bosch warrants that the Product is free from defects in materials and workmanship for a period of three hundred and sixty-five (365) days from the date of purchase. The foregoing timeline begins to run upon the date of purchase, and shall not be stalled, tolled, extended, or suspended, for any reason whatsoever.

This Product is also warranted to be free from *cosmetic* defects in material and workmanship (such as scratches of stainless steel, paint/porcelain blemishes, chip, dents, or other damage to the finish of the Product), for a period of thirty (30) days from the date of purchase or closing date for new construction. This *cosmetic* warranty excludes slight color variations due to inherent differences in painted and porcelain parts, as well as differences caused by kitchen lighting, product location, or other similar factors. This *cosmetic* warranty specifically excludes any display, floor, “As Is”, or “B” stock appliances.

Repair/Replace as Your Exclusive Remedy

During this warranty period, Bosch or one of its authorized service providers will repair your Product without charge to you (subject to certain limitations stated herein) if your Product proves to have been manufactured with a defect in materials or workmanship. If reasonable attempts to repair the Product have been made without success, then Bosch will replace your Product (upgraded models may be available to you, in Bosch's sole discretion, for an additional charge). All removed parts and components shall become the property of Bosch at its sole option. All replaced and/or repaired parts shall assume the identity of the original part for purposes of this warranty and this warranty shall not be extended with respect to such parts. Bosch's sole liability and responsibility hereunder is to repair manufacturer-defective Product only, using a Bosch-authorized service provider during normal business hours. For safety and property damage concerns, Bosch highly recommends that you do not attempt to repair the Product yourself, or use an un-authorized service provider; Bosch will have no responsibility or liability for repairs or work performed by a non-authorized service provider. If you choose to have someone other than an authorized service provider work on your Product, THIS WARRANTY WILL AUTOMATICALLY BECOME NULL AND VOID. Authorized service providers are those persons or companies that have been specially trained on Bosch products, and who possess, in Bosch's opinion, a superior reputation for customer service and technical ability (note that they are independent entities and are not agents, partners, affiliates or representatives of Bosch). Notwithstanding the foregoing, Bosch will not incur any liability, or have responsibility, for the Product if it is located in a remote area (more than 100 miles from an authorized service provider) or is reasonably inaccessible, hazardous, threatening, or treacherous locale, surroundings, or environment; in any such event, if you request, Bosch would still pay for labor and parts and ship the parts to the nearest authorized service provider, but you would still be fully liable and responsible for any travel time or other special charges by the service company, assuming they agree to make the service call.

Out of Warranty Product

Bosch is under no obligation, at law or otherwise, to provide you with any concessions, including repairs, pro-rates, or Product replacement, once this warranty has expired.

Warranty Exclusions

The warranty coverage described herein excludes all defects or damage that are not the direct fault of Bosch, including without limitation, one or more of the following:

- Use of the Product in anything other than its normal, customary and intended manner (including without limitation, any form of commercial use, use or storage of an indoor product outdoors, use of the Product in conjunction with air or water-going vessels).
- Any party's willful misconduct, negligence, misuse, abuse, accidents, neglect, improper operation, failure to maintain, improper or negligent installation, tampering, failure to follow operating instructions, mishandling, unauthorized service (including self-performed "fixing" or exploration of the appliance's internal workings).
- Adjustment, alteration or modification of any kind.
- A failure to comply with any applicable state, local, city, or county electrical, plumbing and/or building codes, regulations, or laws, including failure to install the product in strict conformity with local fire and building codes and regulations.
- Ordinary wear and tear, spills of food, liquid, grease accumulations, or other substances that accumulate on, in, or around the Product.
- Any external, elemental and/or environmental forces and factors, including without limitation, rain, wind, sand, floods, fires, mud slides, freezing temperatures, excessive moisture or extended exposure to humidity, lightning, power surges, structural failures surrounding the appliance, and acts of God.

In no event shall BSH have any liability or responsibility whatsoever for damage to surrounding property, including cabinetry, floors, ceilings, and other structures or objects around the Product. Also excluded from this warranty are Products on which the serial numbers have been altered, defaced, or removed; service visits to teach you how to use the Product, or visits where there is nothing wrong with the Product; correction of installation problems (you are solely responsible for any structure and setting for the Product, including all electrical, plumbing or other connecting facilities, for proper foundation/flooring, and for any alterations including without limitation cabinetry, walls, floors, shelving, etc.); and resetting of breakers or fuses.

TO THE EXTENT ALLOWED BY LAW, THIS WARRANTY SETS OUT YOUR EXCLUSIVE REMEDIES WITH RESPECT TO PRODUCT, WHETHER THE CLAIM ARISES IN CONTRACT OR TORT (INCLUDING STRICT LIABILITY, OR NEGLIGENCE) OR OTHERWISE. THIS WARRANTY IS IN LIEU OF ALL OTHER WARRANTIES, WHETHER EXPRESS OR IMPLIED. ANY WARRANTY IMPLIED BY LAW, WHETHER FOR MERCHANTABILITY OR FITNESS FOR A PARTICULAR PURPOSE, OR OTHERWISE, SHALL BE EFFECTIVE ONLY FOR THE PERIOD THAT THIS EXPRESS LIMITED WARRANTY IS EFFECTIVE. IN NO EVENT WILL THE MANUFACTURER BE LIABLE FOR CONSEQUENTIAL, SPECIAL, INCIDENTAL, INDIRECT, "BUSINESS LOSS", AND/OR PUNITIVE DAMAGES, LOSSES, OR EXPENSES, INCLUDING WITHOUT LIMITATION TIME AWAY FROM WORK, HOTELS AND/OR RESTAURANT MEALS, REMODELLING EXPENSES IN EXCESS OF DIRECT DAMAGES WHICH ARE DEFINITELY CAUSED EXCLUSIVELY BY BOSCH, OR OTHERWISE. SOME STATES DO NOT ALLOW THE EXCLUSION OR LIMITATION OF INCIDENTAL OR CONSEQUENTIAL DAMAGES, AND SOME STATES DO NOT ALLOW LIMITATIONS ON HOW LONG AN IMPLIED WARRANTY LASTS, SO THE ABOVE LIMITATIONS MAY NOT APPLY TO YOU. THIS WARRANTY GIVES YOU SPECIFIC LEGAL RIGHTS, AND YOU MAY ALSO HAVE OTHER RIGHTS WHICH VARY FROM STATE TO STATE.

No attempt to alter, modify or amend this warranty shall be effective unless authorized in writing by an officer of BSH.

How to Obtain Warranty Service:

To obtain warranty service for your Product, you should contact the nearest Bosch authorized service center.

BSH Home Appliances - 1901 Main Street, Suite 600, Irvine, CA 92614 / 800-944-2904.

Cooking Charts

BAKED GOODS/ENTREES

Food	Recommended Cooking Mode	Oven Temperature	Pre-heat Oven	Number of Racks	Rack Position	Time (min.)	Pan Size & Type
Cakes							
Angel Food	Convect.Bake	325° F	Yes	Single	1	35-50	10" tube
Bundt	Convect.Bake	325° F	Yes	Single	2	45-65	12-cup bundt
Cupcakes	Conv. Multi-Rack	325° F	Yes	Single	3	17-27	12-cup muffin pan
	Conv. Multi-Rack	325° F	Yes	Multiple	2 & 5	17-27	12-cup muffin pan
	Conv. Multi-Rack	325° F	Yes	Multiple	1, 3, & 5	17-27	12-cup muffin pan
Round Layers	Convect.Bake	325° F	Yes	Single	3	28-40	8" or 9" round
	Convect.Bake	325° F	Yes	Multiple	2 & 5	28-40	8" or 9" round
Sheet Cake	Convect.Bake	325° F	Yes	Single	3	45-60	13"X9"X2"
Cookies							
Brownies	Convect.Bake	325° F	Yes	Single	3	33-40	8" or 9" square
Chocolate Chip	Conv. Multi-Rack	325° F	Yes	Single	3	8-17	cookie sheet
	Conv. Multi-Rack	325° F	Yes	Multiple	2 & 5	8-17	cookie sheet
	Conv. Multi-Rack	325° F	Yes	Multiple	1,3, & 5	8-17	cookie sheet
Cookie Bars	Convect.Bake	325° F	Yes	Single	3	23-33	8" or 9" square
Sugar	Conv. Multi-Rack	325° F	Yes	Single	3	8-10	cookie sheet
	Conv. Multi-Rack	325° F	Yes	Multiple	2 & 5	8-10	cookie sheet
	Conv. Multi-Rack	325° F	Yes	Multiple	1,3, & 5	8-10	cookie sheet
Entrees/Vegetables							
Casseroles	Bake	recipe temp.	Yes	Single	3	recipe time	casserole dish
Quiche	Bake	375° F	Yes	Single	2	30-40	quiche dish
Soufflé	Bake	325° F	Yes	Single	3	45-55	soufflé dish
Vegetables	Conv. Roast	recipe	No	Single	3	recipe	cookie sheet

The charts can be used as a guide. Follow package or recipe directions.

The convection temperatures have been reduced 25° F from the recipe or package directions.

Pastries

Cream Puffs	Conv. Multi-Rack	400° F	Yes	Single	3	23-33	cookie sheet
	Conv. Multi-Rack	400° F	Yes	Multiple	2 & 5	23-33	cookie sheet
	Conv. Multi-Rack	400° F	Yes	Multiple	1,3, & 5	23-33	cookie sheet
Puff Pastry	Conv. Multi-Rack	375° F	Yes	Single	3	10-12	cookie sheet
Pies							
1 Crust Shell	Convect.Bake	475° F	Yes	Single	2	8-12	9" pie pan
2 Crust, Fruit	Convect.Bake	375° F	Yes	Single	2	45-60	9" pie pan
Frozen	Convect.Bake	375° F	Yes	Single	3	70-85	9" pie pan
Meringue	Bake	350° F	Yes	Single	2	10-15	9" pie pan
Pecan	Bake	350° F	Yes	Single	2	45-60	9" pie pan

BAKED GOODS/ENTREES

Food	Recommended Cooking Mode	Oven Temperature	Pre-heat Oven	Number of Racks	Rack Position	Time (min.)	Pan Size & Type
Pumpkin	Bake	425° F/350° F	Yes	Single	2	15/35-45	9" pie pan
Pizza							
Baking Stone	Pizza	425° F	Yes	Single	2	recipe time	baking stone
Fresh	Pizza	425° F	Yes	Single	2	recipe time	pizza pan
Thick Crust, Frozen	Pizza	on package	Yes	Single	on package	package time	package directions
Thin Crust, Frozen	Pizza	on package	Yes	Single	on package	package time	package directions
Quick Breads							
Biscuits	Conv. Multi-Rack	325° F	Yes	Single	3	10-20	cookie sheet
	Conv. Multi-Rack	325° F	Yes	Multiple	2 & 5	10-20	cookie sheet
Loaf	Convect.Bake	350° F	Yes	Single	2	48-60	8" x 4" loaf pan
Muffins	Conv. Multi-Rack	400° F	Yes	Single	3	14-25	12-cup muffin pan
	Conv. Multi-Rack	400° F	Yes	Multiple	2 & 5	14-25	12-cup muffin pan
Yeast Breads							
Dinner Rolls	Conv. Multi-Rack	375° F	Yes	Single	3	10-20	cookie sheet
	Conv. Multi-Rack	375° F	Yes	Multiple	2 & 5	10-20	cookie sheet
	Conv. Multi-Rack	375° F	Yes	Multiple	1, 3, & 5	10-20	cookie sheet
Loaf	Convect.Bake	400° F	Yes	Single	2	22-35	9" x 5" loaf pan
Sweet Rolls	Conv. Multi-Rack	325° F	Yes	Single	3	20-25	cookie sheet

The charts can be used as a guide. Follow package or recipe directions.

The convection temperatures have been reduced 25° F from the recipe or package directions.

MEATS

Food	Recommended Cooking Mode	Oven Temperature	Rack Position	Internal Temperature	Cooking Time min. unless otherwise specified	Food Covered	Stand Time
Beef							
Chuck Roast, 2-3 lbs	Roast	350°F	2	Well, 170°F	1 1/2-2 hours	Yes	none
Hamburgers, 3/4-1-inch thick	Broil	High	6	Medium, 160°F	Side 1: 5-8 Side 2: 4-6	No	none
Rib Eye, Boneless, 3-3.5 lbs.	Convection Roast	325°F	2	Medium-rare, 145°F	27-31 min./lb.	No	10-15 min.
Rib Eye, Boneless, 3-3.5 lbs.	Convection Roast	325°F	2	Medium, 160°F	30-38 min./lb.	No	10-15 min.
Rump, Eye, Sirloin, Boneless, 3-5.5 lbs.	Convection Roast	325°F	2	Medium-rare, 145°F	18-33 min./lb.	No	10-15 min.
Rump, Eye, Sirloin, Boneless, 3-5.5 lbs.	Convection Roast	325°F	2	Medium, 160°F	30-35 min/lb.	No	10-15 min.
Steaks, 1-inch thick	Broil	High	6	Medium-rare, 145°F	Side 1: 5-8 Side 2: 4-6	No	none
Steaks, 1-inch thick	Broil	High	6	Medium, 160°F	Side 1: 8-9 Side 2: 5-7	No	none
Steaks 1 1/2-inch thick	Convection Broil	High	4	Medium-rare, 145°F	Side 1: 11-14 Side 2: 9-13	No	none
Steaks 1 1/2-inch thick	Convection Broil	High	4	Medium, 160°F	Side 1: 13-18 Side 2: 11-14	No	none
Tenderloin, 2-3 lbs.	Convection Roast	425°F	2	Medium-rare, 145°F	15-24 min./lb.	No	5 min.
Lamb							
Leg, Boneless, 2-3 lbs.	Convection Roast	325°F	2	Medium, 145°F	25-30 min./lb.	No	10-15 min.
Leg, Boneless, 4-6 lbs.	Convection Roast	325°F	2	Medium, 160°F	30-35 min./lb.	No	10-15 min.
Chops, 1-inch thick	Broil	3 - High	4	Medium-rare, 145°F	Side 1: 4-6 Side 2: 4-5	No	none
Chops, 1-inch thick	Broil	3 - High	4	Medium, 160°F	Side 1: 5-7 Side 2: 5-6	No	none
Pork							
Ham Slice 1/2-inch thick	Broil	3 - High	5	160°F	Side 1: 4-5 Side 2: 3-4	No	none
Loin Roast, 1/2 - 3 lbs.	Convection Roast	350°F	2	145°F 160°F	16-30 min./lb. 19-36 min./lb.	No	30 min. 10-15 min.
Loin Roast, 3 - 6 lbs.	Convection Roast	350°F	2	145°F 160°F	16-30 min./lb. 14-23 min./lb.	No	30 min. 10-15 min.

The charts can be used as a guide. Follow package or recipe directions.

Roasting times are approximate and may vary depending on the shape of the meat.

Stuffed turkey requires additional roasting time. The minimum safe temperature for stuffing in poultry is 165°F.

NOTE: Internal food temperatures are USDA recommended temperatures as measured by a digital cooking thermometer.

MEATS

Food	Recommended Cooking Mode	Oven Temperature	Rack Position	Internal Temperature	Cooking Time min. unless otherwise specified	Food Covered	Stand Time
Pork							
Chops, 1-inch thick	Broil	Low	3	145°F	Side 1: 5-9 Side 2: 8-11	No	3 min.
		Low		160°F	Side 1: 8-10 Side 2: 8-9		
Chops, 1 1/2-inch thick	Convection Broil	High	4	160°F	Side 1: 9-11 Side 2: 8-10	No	none
Sausage, Fresh	Broil	High	4	170°F	Side 1: 3-6 Side 2: 2-4	No	none
Tenderloin, 2-3 lbs.	Convection Roast	425°F	3	145°F	18-28 min./lb.	No	5-10 min.
				160°F	20-27 min./lb.		
Poultry							
Chicken							
Bone-in Breasts	Convection Broil	Low	3	170°F	Side 1: 20-28 Side 2: 17-22	No	none
Bone-in Thighs	Broil	Low	3	180°F in thigh	Side 1: 14-16 Side 2: 12-14	No	none
Whole. 3.5-8 lbs.	Convection Roast	375°F	2	180°F in thigh	13-20 min./lb.	No	none
Cornish Game Hens, 1-1 1/2 lbs.	Convection Roast	350°F	2	180°F in thigh	45-75 min. total time	No	none
Turkey							
Breast, 4-8 lbs.	Convection Roast	325°F	2	170°F	19-23 min. /lb.	No	15-20 min. for easy carving
Unstuffed, 12-19 lbs.	Convection Roast	325°F	1	180°F in thigh	9-14 min./lb.	Foil to prevent over-browning	15-20 min. for easy carving
Unstuffed, 20-30 lbs.	Convection Roast	325°F	1	180°F in thigh	6-12 min./lb.	Foil to prevent over-browning	15-20 min. for easy carving
Seafood							
Fish Filets, 3/4-1-inch thick	Broil	Low	3	145°F	11-15 min.	No	none

The charts can be used as a guide. Follow package or recipe directions.

Roasting times are approximate and may vary depending on the shape of the meat.

Stuffed turkey requires additional roasting time. The minimum safe temperature for stuffing in poultry is 165°F.

NOTE: Internal food temperatures are USDA recommended temperatures as measured by a digital cooking thermometer.

Table des matières

À propos de ce manuel	1	Éviter ces produits nettoyants	37
Définitions concernant la sécurité	1	Guide de nettoyage du four	38
IMPORTANTES CONSIGNES DE SÉCURITÉ	2	Nettoyage du tiroir-réchaud	39
Mise en route	7	Entretien du four	40
Accessoires	9	Remplacement de l'ampoule du four	40
Avant la première utilisation de l'appareil	11	Démontage de la porte du four	41
Fonctionnement - Table de cuisson	12	Démontage du tiroir	43
À propos de la table de cuisson	12	Remise en place du tiroir	44
Réglage du niveau de cuisson de l'élément	12	Dépannage	46
Fonctionnement - Four	14	Comment obtenir des services de dépannage ou des pièces	46
Panneau de commande du four	14	Aide sans assistance	46
Avant la première utilisation du four	16	Essayez ces suggestions avant de contacter un service de dépannage pour éviter les frais de service.	46
Fonctionnement	16	Énoncé de Garantie Limitée du Produit	49
Réglage de l'horloge	16	Tableaux de cuisson	51
Réglage du mode de cuisson et de la température	16		
Limitation de la durée de chauffage	17		
Timer (Minuterie)	18		
Fast Preheat (Préchauffage rapide)	19		
Sonde (certains modèles)	19		
Mode Shabbat	20		
Panel Lock (Verrouiller les touches)	21		
Settings (Réglages)	21		
Options du menu Réglages	22		
Fonctionnement - Tiroir-réchaud	23		
À propos du tiroir-réchaud	23		
Fonctionnement	23		
Tirer le meilleur parti de votre table de cuisson	24		
Tirer le meilleur parti de votre four	25		
Modes de cuisson	27		
Tirer le meilleur parti de votre tiroir-réchaud	32		
Nettoyage et entretien	34		
Nettoyage de la table de cuisson	34		
Tableau d'entretien de la table de cuisson	35		
Nettoyage du four	36		
Self Clean (Nettoyage Auto)	36		

Cet appareil électroménager Bosch est fabriqué par
BSH Home Appliances, Corporation
1901 Main Street, Suite 600
Irvine, CA 92614

Questions?

1-800-944-2904

www.bosch-home.com/us

Il nous fait toujours plaisir de recevoir vos commentaires!

À propos de ce manuel

Comment ce manuel est organisé

Ce manuel contient plusieurs sections :

- La section *Sécurité* décrit des procédures importantes qui visent à assurer votre sécurité pendant l'utilisation de l'appareil.
- La section *Mise en route* décrit les caractéristiques et fonctionnalités de l'appareil et comprend une description de son installation et fonctionnement.
- La section *Fonctionnement* décrit comment actionner et obtenir le meilleur rendement de chaque composant.
- La section *Nettoyage et Entretien* décrit la façon de nettoyer et d'entretenir l'appareil.
- La section *Dépannage* comprend les conseils de dépannage et la garantie.
- Avant d'utiliser l'appareil, prière de lire attentivement ce manuel. Prêter une attention toute particulière aux *Importantes consignes de sécurité* situées au début du manuel.

Définitions concernant la sécurité

▲ AVERTISSEMENT

Ceci indique que le non-respect de cet avertissement peut entraîner des blessures graves, voire la mort.

▲ ATTENTION

Ceci indique que le non-respect de cet avertissement peut entraîner des blessures légères ou modérées.

AVIS : Ceci indique que la non-conformité à cet avis de sécurité peut entraîner des dégâts à l'appareil ou à la propriété.

Remarque : Ceci vous avertit que d'importantes informations et/ou conseils sont fournis.

⚠ IMPORTANTES CONSIGNES DE SÉCURITÉ

LIRE ET CONSERVER CES CONSIGNES

Sécurité

⚠ AVERTISSEMENT

DANGER DE BASCULEMENT!

Il est possible pour un enfant ou un adulte de faire basculer la cuisinière et d'être tué. Vérifier que le support anti-basculement a été bien installé. S'assurer que le support anti-basculement est réengagé lorsque la cuisinière est déplacée.



Ne pas faire fonctionner la cuisinière si le support anti-basculement n'est pas en place. Le non-respect des instructions de ce manuel peut entraîner la mort ou des brûlures graves aux enfants ou adultes.

Vérifier que le support anti-basculement est installé et utilisé correctement. Saisir l'extrémité arrière de la cuisinière pour essayer de l'incliner doucement vers l'avant. Vérifier si les dispositifs anti-basculement sont engagés au niveau des pieds de la cuisinière et empêchent celle-ci de basculer. La cuisinière ne doit pas se déplacer de plus de 1 po (2,5 cm).

Installation et entretien corrects

- **AVERTISSEMENT :** Votre nouvel appareil a été conçu pour un fonctionnement sûr et fiable si vous en prenez bien soin. Lire attentivement toutes les consignes avant l'emploi. Ces précautions réduiront les risques de brûlures, de choc électrique, d'incendie et de lésions corporelles. Lors de l'utilisation d'appareils de cuisine, il est impératif de respecter les mesures de sécurité élémentaires, y compris celles figurant aux pages suivantes.
- Demander à l'installateur de vous indiquer l'emplacement du coupe-circuit ou du fusible. Identifier sa position pour pouvoir le retrouver facilement.
- L'installation et la mise à la terre correctes de cet appareil doivent être effectuées par un technicien qualifié. Brancher uniquement l'appareil sur une prise correctement reliée à la terre. Se reporter à la notice d'installation pour obtenir des détails supplémentaires.
- Cet appareil est destiné uniquement à un usage domestique familial normal. Il n'est pas autorisé pour un usage en extérieur. Voir l'« Énoncé de garantie limitée du produit ». Pour toute question, contacter le fabricant.

- Ne pas entreposer ni utiliser de produits chimiques corrosifs, vapeurs, substances inflammables ou produits non alimentaires à l'intérieur ou à proximité de cet appareil. Celui-ci a été spécialement conçu pour faire chauffer ou faire cuire des aliments. L'emploi de produits chimiques corrosifs pour chauffer ou nettoyer l'appareil endommagera celui-ci et peut entraîner des blessures.
- Ne pas se servir de cet appareil s'il ne fonctionne pas correctement ou s'il est endommagé. Communiquer avec un centre de réparation autorisé.
- Ne pas cuisiner avec une cuisinière défectueuse. Les solutions de nettoyage et les débordements peuvent entraîner un risque de choc électrique.
- Ne pas obstruer les événements du four.
- Ne pas réparer ni remplacer des pièces de l'appareil à moins que cela ne soit expressément recommandé dans ce manuel. Confier l'entretien de l'appareil à un centre de service autorisé par l'usine.
- En cas d'erreur, l'écran clignote et émet un signal sonore continu. Si cela se produit pendant le cycle autonettoyant, débrancher l'appareil de l'alimentation secteur et téléphoner à un technicien qualifié.
- En cas d'erreur, l'écran clignote et émet un signal sonore continu. Débrancher l'appareil de l'alimentation secteur et téléphoner à un technicien qualifié.

Sécurité-incendie

- Ne pas utiliser de papier aluminium ou de doublure de protection pour revêtir toute partie de l'appareil, et en particulier la sole du four. L'utilisation de ces doublures peut entraîner un risque de choc électrique ou d'incendie.
- Si des matériaux s'enflamment à l'intérieur d'un four ou d'un tiroir-réchaud, ne pas ouvrir la porte. Mettre l'appareil hors tension et débrancher le circuit électrique au boîtier de disjoncteurs.
- Utilisez cet appareil uniquement pour l'usage auquel il est destiné comme décrit dans ce manuel. Par exemple, ne jamais utiliser l'appareil pour réchauffer ou chauffer une pièce. Ne jamais utiliser l'appareil pour entreposer quoi que ce soit.
- Ne pas laisser le papier aluminium, le plastique, le papier ou le tissu entrer en contact avec un brûleur ou une grille chaude. Ne pas laisser les casseroles bouillir jusqu'à évaporation complète.

IMPORTANTES CONSIGNES DE SÉCURITÉ

LIRE ET CONSERVER CES CONSIGNES

- Si la table de cuisson se situe près d'une fenêtre, d'une sortie d'air pulsé ou d'un ventilateur, s'assurer que les matériaux inflammables des recouvrements de fenêtre ne se déplacent pas au-dessus ou à proximité des brûleurs ou des éléments de la table de cuisson. Ils risquent en effet de prendre feu.
- Toujours avoir un détecteur de fumée qui fonctionne près de la cuisine.
- Ne jamais laisser la table de cuisson allumée sans surveillance. Les débordements par ébullition produisent des émanations de fumées et les graisses répandues peuvent s'enflammer.
- Pour éteindre les flammes d'un incendie provoqué par des aliments autre qu'un incendie de graisse, utiliser du bicarbonate de soude. Ne jamais utiliser d'eau.

Prévention des brûlures

- **NE PAS TOUCHER AUX ÉLÉMENTS DE LA TABLE DE CUISSON NI AUX ZONES ADJACENTES À CES ÉLÉMENTS** - Les éléments de la table de cuisson peuvent être chauds même s'ils sont de couleur foncée. Les zones adjacentes aux éléments de la table de cuisson peuvent être assez chaudes pour provoquer des brûlures. Pendant et après l'utilisation, ne pas toucher ni laisser vêtements, poignées ou autres matériaux inflammables entrer en contact avec les éléments de la table de cuisson ou les zones adjacentes avant qu'elles n'aient eu suffisamment de temps pour se refroidir. Les surfaces qui risquent d'être chaudes sont la table de cuisson et les zones qui lui font face.
- **NE PAS TOUCHER AUX ÉLÉMENTS CHAUFFANTS OU AUX PAROIS INTÉRIEURES DU FOUR** - Les éléments chauffants peuvent être chauds même s'ils sont de couleur foncée. Les parois intérieures d'un four peuvent devenir suffisamment chaudes pour provoquer des brûlures. Pendant et après l'utilisation, ne pas toucher, ni laisser vêtements, poignées isolantes ou autres matériaux inflammables entrer en contact avec les éléments chauffants ou les parois intérieures du four avant qu'ils n'aient eu suffisamment de temps pour se refroidir. Les autres surfaces de l'appareil peuvent devenir suffisamment chaudes pour provoquer des brûlures. Citons notamment les ouvertures des événements, les surfaces situées près de ces ouvertures et les portes du four.
- Faire attention en ouvrant la porte de l'appareil. Se tenir sur le côté, ouvrir lentement et légèrement la porte (ou le tiroir) pour laisser l'air chaud et/ou la vapeur s'échapper. Éloigner le visage de l'ouverture et s'assurer qu'aucun enfant ou animal domestique ne se trouve à proximité de l'unité. Une fois la vapeur et l'air chaud échappés, continuer la cuisson. Garder les portes fermées sauf pour la cuisson ou le nettoyage. Ne pas laisser les portes ouvertes sans surveillance.
- Ne pas chauffer ou réchauffer des contenants d'aliments non ouverts. L'accumulation de pression peut faire exploser le contenant et provoquer des blessures.
- Toujours placer les grilles du four dans la position désirée lorsque le four est froid. Si une grille doit être déplacée alors que le four est chaud, ne pas laisser les poignées isolantes entrer en contact avec les éléments chauffants.

AVERTISSEMENT

POUR RÉDUIRE LE RISQUE DE LÉSIONS CORPORELLES DANS L'ÉVENTUALITÉ D'UN INCENDIE DE GRAISSE, OBSERVER LES CONSIGNES SUIVANTES :

- **ÉTOUFFER LES FLAMMES** à l'aide d'un couvercle bien hermétique, d'une tôle à biscuits ou d'un plateau en métal, puis éteindre le brûleur. **FAIRE ATTENTION À NE PAS SE BRÛLER.** Si les flammes ne s'éteignent pas immédiatement, **ÉVACUER LES LIEUX ET FAIRE APPEL AU SERVICE D'INCENDIE.**
- **NE JAMAIS SAISIR UN RÉCIPENT QUI BRÛLE** — Vous pourriez vous brûler.
- **NE PAS UTILISER D'EAU**, y compris les chiffons ou serviettes mouillées — une violente explosion de vapeur risque de se produire.
- Utiliser un extincteur **UNIQUEMENT** si :
 - 1) Vous savez que vous disposez d'un extincteur d'incendie de **CLASSE ABC** et vous savez vous en servir.
 - 2) L'incendie est de petite ampleur et contenu dans la zone où il s'est déclaré.
 - 3) Le service d'incendie est appelé.
- On peut combattre l'incendie le dos tourné vers la sortie.
- Si les cheveux ou les vêtements s'enflamment, se laisser tomber au sol et se rouler immédiatement par terre pour éteindre les flammes.
- Lorsque possible, ne pas faire fonctionner le système de ventilation pendant un incendie de table de cuisson. Toutefois, ne pas passer à travers les flammes pour essayer de l'éteindre.
- Tenir à disposition un extincteur approprié, situé à proximité, qui soit bien en vue et facile à atteindre non loin du four.

IMPORTANTES CONSIGNES DE SÉCURITÉ

LIRE ET CONSERVER CES CONSIGNES

- Toujours utiliser des poignées isolantes sèches. Les poignées mouillées ou humides entrant en contact avec les surfaces chaudes peuvent provoquer des blessures par dégagement de vapeur. Ne pas laisser les poignées isolantes entrer en contact avec les éléments chauffants. Ne pas utiliser de serviette ni de chiffon volumineux.
- Toujours mettre en marche la hotte aspirante pour une cuisson à feu vif ou pour flamber un met (par exemple : crêpes Suzette, cerises Jubilé, steak au poivre flambé).
- Utiliser les réglages de cuisson à feu vif sur la table de cuisson uniquement lorsque nécessaire. Pour éviter l'ébullition et les projections, chauffer l'huile lentement, au maximum à feu doux ou moyen. L'huile chaude peut provoquer de très graves brûlures et blessures.
- Ne jamais déplacer un ustensile de cuisson rempli d'huile chaude, en particulier une friteuse. Attendre qu'il refroidisse.
- Attacher les vêtements lâches, etc. avant de commencer. Attacher les cheveux longs de façon à ce qu'ils ne pendent pas et ne pas porter de vêtements lâches ou d'habits ou objets qui pendillent, tels que cravates, foulards, bijoux ou manches.
- Éviter de tendre le bras ou de se pencher au-dessus de la cuisinière. Il faut savoir que certains vêtements et laques pour cheveux peuvent contenir des produits chimiques inflammables qui risquent de s'enflammer au contact des unités de surface chaudes ou des éléments chauffants et causer des brûlures graves.
- Ne pas toucher aux surfaces intérieures du tiroir lorsque celui-ci est en fonctionnement. L'intérieur du tiroir peut devenir suffisamment chaud pour causer des brûlures. Laisser le tiroir et la grille (s'il y en a une) refroidir avant toute manipulation.
- **AVERTISSEMENT** : Pour éviter le risque de brûlure, ne pas enlever le tiroir tant qu'il est chaud. S'assurer que le tiroir est vide avant de l'enlever.

AVERTISSEMENT

Utilisez cet appareil uniquement pour l'usage auquel il est destiné comme décrit dans ce manuel. **NE JAMAIS** utiliser cet appareil comme un radiateur électrique portatif pour chauffer ou réchauffer la pièce. Ceci peut entraîner un empoisonnement au monoxyde de carbone et l'échauffement excessif de l'appareil. Ne jamais utiliser l'appareil pour entreposer quoi que ce soit.

AVERTISSEMENT

NE JAMAIS couvrir les fentes, orifices ou ouvertures de la sole du four ni boucher intégralement une grille avec des matériaux tels que le papier aluminium. Ceci risque de bloquer la circulation de l'air à l'intérieur du four et peut entraîner un empoisonnement au monoxyde de carbone. Les doublures de papier aluminium peuvent d'autre part piéger la chaleur ce qui peut entraîner un risque d'incendie.

- Faire attention lors de la cuisson au four d'aliments à forte teneur en alcool (par exemple, le rhum, l'eau de vie, le whisky, etc.) L'alcool s'évapore à des températures élevées. Les vapeurs d'alcool pouvant s'enflammer dans le four présentent un risque de brûlure. Il ne faut utiliser que des petites quantités d'alcool dans les aliments et faire attention en ouvrant la porte du four.

Sécurité des enfants

- Lorsque les enfants sont assez âgés pour utiliser l'appareil, les parents ou les tuteurs légaux ont la responsabilité de veiller à ce qu'ils soient instruits des pratiques de sécurité par des personnes qualifiées.
- Ne laisser personne grimper, se tenir debout, s'appuyer, s'asseoir ou se suspendre à une partie quelconque de l'appareil, en particulier la porte, le tiroir-réchaud ou le tiroir de rangement. Ceci peut endommager l'appareil, le faire basculer et provoquer potentiellement des blessures graves.
- Ne pas laisser les enfants utiliser cet appareil sans l'étroite surveillance d'un adulte. Enfants et animaux ne doivent pas être laissés seuls ou sans surveillance à l'endroit où l'on utilise l'appareil. Ne pas laisser les enfants jouer à proximité de l'appareil que celui-ci soit en fonctionnement ou non.

ATTENTION

Les articles d'intérêt pour les enfants ne doivent pas être rangés dans un appareil électroménager, dans les armoires au-dessus d'un appareil ou sur le dossier. Un enfant qui grimpe sur l'appareil pour prendre ces objets peut se blesser sérieusement.

IMPORTANTES CONSIGNES DE SÉCURITÉ

LIRE ET CONSERVER CES CONSIGNES

Sécurité pendant le nettoyage

Avertissement issue de la proposition 65 :

Ce produit pourrait contenir un produit chimique reconnu par l'État de la Californie comme cancérigène ou ayant des effets nocifs sur la reproduction. Par conséquent, l'emballage de votre produit pourrait porter l'étiquette suivante, comme requis par la Californie:

AVERTISSEMENT ISSU DE LA PROPOSITION 65 DE L'ÉTAT DE LA CALIFORNIE :



AVERTISSEMENT

Cancer et dommages à la reproduction -
www.P65Warnings.ca.gov

- **AVIS DE SÉCURITÉ IMPORTANT :** En application de la loi californienne concernant la salubrité de l'eau et la protection contre les substances chimiques (« California Safe Drinking Water and Toxic Enforcement Act »), le gouverneur de Californie est tenu de publier une liste des substances reconnues par l'État de Californie comme étant cancérigènes ou pouvant causer des malformations ou présenter un danger pour la reproduction, et les entreprises sont tenues d'avertir les consommateurs des risques potentiels d'exposition à de telles substances. L'incinération de combustibles gazeux de cuisson et l'élimination de résidus au cours d'un programme d'autonettoyage d'un four peut générer de faibles quantités de monoxyde de carbone. L'isolant en fibre de verre dont sont dotés les fours autonettoyants produit de très faibles quantités de formaldéhyde durant les quelques premiers cycles de nettoyage. Le formaldéhyde est classé par la Californie comme étant une cause potentielle de cancer. Le monoxyde de carbone est une cause potentielle de toxicité pour la reproduction. L'exposition à ces substances peut être minimisée en :
 - 1) assurant une bonne ventilation pendant la cuisson au gaz;
 - 2) assurant une bonne ventilation pendant et immédiatement après l'autonettoyage du four;
 - 3) utilisant l'appareil selon les instructions figurant dans ce guide.
- Ne pas nettoyer l'appareil alors qu'il est encore chaud. Certains nettoyeurs produisent des émanations nocives lorsqu'ils sont appliqués sur une surface chaude. Chiffons ou éponges humides peuvent causer des brûlures par dégagement de vapeur.

- Pendant l'autonettoyage, s'assurer que la porte est bien verrouillée et qu'elle ne s'ouvre pas. Si elle ne se verrouille pas, ne pas exécuter le cycle d'autonettoyage. Communiquer avec un centre de dépannage.
- Les oiseaux ont un système respiratoire sensible. Les éloigner de la cuisine ou des pièces où la fumée peut les atteindre. Pendant le nettoyage, les émanations de fumée sont nocives aux oiseaux. D'autres émanations telles la margarine surchauffée et les huiles de cuisson sont également nocives.
- Ne pas laisser la graisse s'accumuler dans le four.

Sécurité de la batterie de cuisine

- Ne pas placer les aliments directement sur la sole du four.
- Observer les instructions du fabricant lors de l'utilisation des sacs de cuisson au four ou à rôtir.
- Tenir le manche de l'ustensile pour remuer ou retourner les aliments. Ceci permet d'éviter les renversements et le déplacement de l'ustensile.
- Utiliser des ustensiles adaptés. Si vous utilisez des ustensiles trop petits, une partie de l'élément chauffant ou du brûleur risque d'être exposée et d'enflammer les vêtements par contact direct. Choisir des ustensiles à fond plat et assez grands pour recouvrir la surface de l'élément chauffant. Cet appareil est doté d'un ou de plusieurs éléments de surface de tailles différentes. Un bon rapport entre ustensile et élément chauffant ou brûleur améliore aussi l'efficacité.
- Les ustensiles de cuisson non homologués pour une utilisation avec les tables de cuisson en vitrocéramique peuvent se casser lorsque exposés à des changements soudains de température. Utiliser uniquement des ustensiles adaptés à une table de cuisson en vitrocéramique (seuls conviennent certains types d'ustensiles en verre, en verre résistant à la chaleur, en céramique, en faïence, ou d'autres ustensiles émaillés). Voir le Guide de sélection des ustensiles pour obtenir des détails supplémentaires.
- Toujours orienter le manche d'un ustensile vers l'intérieur pour ne pas qu'il dépasse sur les aires de travail adjacentes, les brûleurs ou le rebord de l'appareil. Ceci réduit les risques d'incendie, de renversements et de brûlures.
- **ATTENTION :** Les contenants en plastique ou le film étirable peuvent se fondre lorsqu'ils sont en contact direct avec le tiroir ou un ustensile chaud. S'ils se fondent dans le tiroir, il ne sera pas toujours possible de les nettoyer.



IMPORTANTES CONSIGNES DE SÉCURITÉ

LIRE ET CONSERVER CES CONSIGNES

AVERTISSEMENT

RISQUE DE BLESSURES

Lorsque vous cuisinez avec un bain-marie, la table de cuisson et le récipient de cuisson peuvent se fissurer sous l'effet d'une chaleur excessive. Le récipient de cuisson dans le bain-marie ne doit pas entrer en contact direct avec le dessous d'une casserole remplie d'eau. Utiliser uniquement des casseroles résistantes à la chaleur.

AVERTISSEMENT

DANGER DE BLESSURES

La casserole pourrait être projetée vers le haut à cause du liquide pris entre le dessous de la casserole et la zone de cuisson. Conserver toujours à sec la zone de cuisson et le dessous de la casserole.

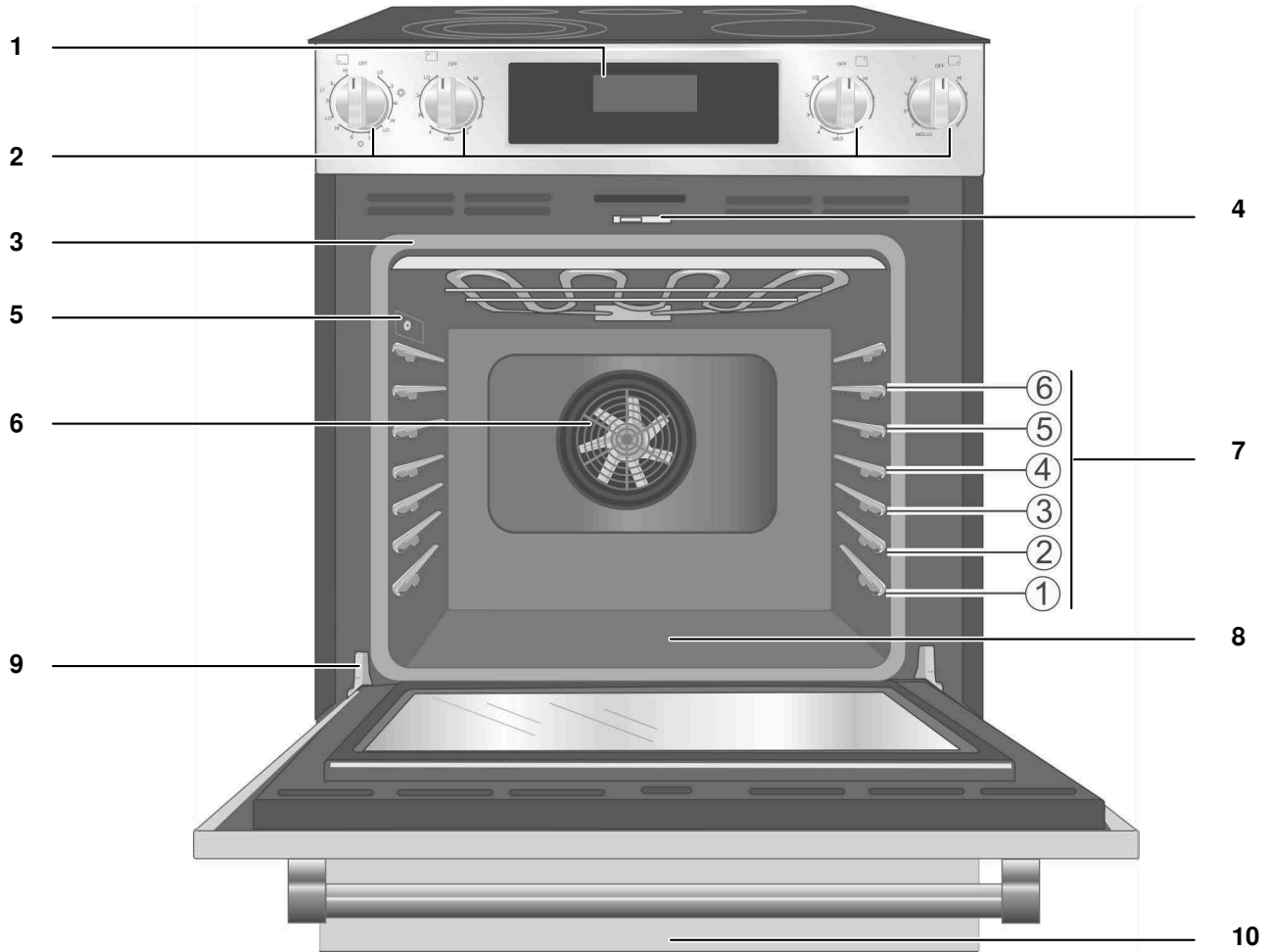
Sécurité alimentaire

- **ATTENTION** : Pour assurer la sécurité alimentaire, respecter les règles d'hygiène suivantes :
 - 1) NE PAS utiliser le tiroir-réchaud pour faire chauffer des aliments froids (exception : le tiroir-réchaud peut être utilisé en toute sécurité pour redonner leur croquant aux biscuits salés, aux croustilles ou aux céréales sèches et pour faire chauffer les assiettes).
 - 2) S'assurer de maintenir les aliments à la température adéquate. L'USDA recommande de maintenir les aliments chauds à 140° F (60 °C) ou plus.
 - 3) NE PAS maintenir des aliments au chaud pendant plus d'une heure.

Mise en route

Pièces et accessoires

Votre appareil peut différer légèrement de cette illustration.



Légende des pièces de la cuisinière

- | | |
|---|---|
| 1 | Panneau de commande du four |
| 2 | Boutons de réglage de la table de cuisson |
| 3 | Joint de porte |
| 4 | Loquet de porte |
| 5 | Prise de sonde |
| 6 | Ventilateur à convection |
| 7 | Guides de positionnement de grille avec 6 positions |
| 8 | Sole du four |

9	Charnière de porte
---	--------------------

10	Tiroir-réchaud
----	----------------

Caractéristiques de la cuisinière

Éléments radiants

L'élément radiant comporte un serpentín de fil métallique situé sous la surface en vitrocéramique pour fournir la chaleur nécessaire à la cuisson. L'élément radiant est délibérément conçu pour s'allumer et s'éteindre par intermittence (voir « Limiteur de température »).

Élément unique

L'élément unique se compose d'un seul élément radiant dans la zone de chauffage. La température de l'unité peut être réglée entre Élevé (Hi) et Bas (Lo) pour fournir le rendement de cuisson désiré.

Élément double (certains modèles)

L'élément double se compose de deux éléments radiants (un petit et un grand) à l'intérieur de la même zone de chauffage. Le petit élément ou les deux éléments peuvent être sélectionnés pour cuisiner.

Élément triple (certains modèles)

L'élément triple se compose de trois éléments à serpentins radiants (un petit, un moyen et un grand) à l'intérieur de la même zone de chauffage. On peut choisir le petit élément, le petit élément et l'élément moyen ou les trois éléments en fonction de la taille de l'ustensile de cuisson.

Élément de puissance (certains modèles)

Cet élément est utilisé pour accélérer la mise en ébullition et pour mijoter à petit feu, tout cela en un seul élément. Il y a deux éléments qui sont de la grandeur de la zone de cuisson.

Zone de réchauffage

L'élément chauffant se compose d'un élément radiant. La température est prédéfinie en fonction du réglage de chaleur choisi sur le panneau de commande du four.

Chaleur retenue

La table de cuisson en verre retient la chaleur et reste chaude même après l'extinction d'un ou de plusieurs éléments. La chaleur retenue peut être utilisée pour maintenir les aliments à une température de service pendant un petit moment. Si l'indicateur lumineux d'une surface chaude est allumé, soyez prudent en travaillant ou en nettoyant autour de la table de cuisson car celle-ci est toujours chaude.

Limiteur de température

Chaque élément chauffant radiant possède sa propre sonde pour protéger la table de cuisson en verre contre les températures élevées extrêmes. Les limiteurs mettent automatiquement l'élément chauffant à l'arrêt quel que soit le réglage de cuisson.

Bien que ce fonctionnement cyclique soit normal, les conditions suivantes peuvent activer le limiteur et le faire s'allumer et s'éteindre plus que de coutume :

- Le fond de la casserole n'est pas complètement en contact avec la surface chauffante (en raison du gauchissement ou de l'irrégularité du socle).
- La casserole est trop petite pour l'élément.
- La casserole a bouilli jusqu'à évaporation complète.
- Le matériau ou la taille de la casserole ne favorise pas un rapide transfert de chaleur.

Indicateur de surface chaude

La table de cuisson affiche un indicateur lumineux de chaleur pour indiquer que la table de cuisson est trop chaude pour être touchée. Si l'indicateur lumineux d'une surface chaude est allumé, soyez prudent en travaillant ou en nettoyant autour de la table de cuisson car celle-ci est toujours chaude.

Caractéristiques du four

Ventilateur de refroidissement

Le ventilateur de refroidissement tourne pendant tous les modes de cuisson. On peut l'entendre fonctionner et sentir parfois de l'air chaud s'échapper de l'évent du four. Le ventilateur peut également fonctionner une fois le four éteint.

Ventilateur à convection

Le ventilateur à convection fonctionne pendant tous les modes de cuisson par convection. Lorsque le four est en mode de cuisson par convection, le ventilateur s'arrête automatiquement lorsque la porte est ouverte. Le ventilateur à convection fonctionne pendant le mode autonettoyant, mais pas au commencement du mode.

Remarque : Sur certains modèles, le ventilateur à convection fonctionne également pendant le préchauffage du mode Cuisson.

Sole du four

La sole du four abrite l'élément chauffant inférieur. Ceci permet de protéger l'élément des dommages et des renversements.

Remarque :

Ne pas placer les aliments directement sur la sole du four.

Évent du four

L'évent du four se trouve au dos de la cuisinière sur la partie supérieure. De l'air chaud peut s'échapper de l'évent avant, pendant et après la cuisson. Il est normal de voir de la vapeur s'échapper de l'évent, et de la condensation peut se former à cet endroit. Cette zone peut être chaude pendant l'utilisation du four. Ne pas obstruer l'évent car il est indispensable à la bonne circulation de l'air.

⚠ ATTENTION

Ne pas utiliser de papier aluminium ou de doublure de protection pour revêtir toute partie de l'appareil, et en particulier la sole du four. L'utilisation de ces doublures peut entraîner un risque de choc électrique ou d'incendie.

Arrêt automatique

Le four s'éteindra automatiquement au bout de 24 heures.

Nettoyage automatique

Le four comporte une fonction autonettoyante qui élimine le travail manuel associé au nettoyage de votre four.

Indicateurs et autres fonctions

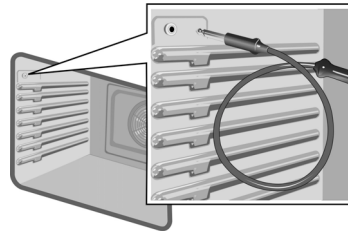
Réglages par défaut - Les modes de cuisson sélectionnent automatiquement la température par défaut. Ceux-ci peuvent être modifiés lorsqu'un mode différent est requis.

Codes numériques E - Ces codes affichent tout problème identifié concernant la cuisinière.

Mode de mise en veille

Le mode de mise en veille signifie que le four est sous tension mais qu'aucun mode de cuisson ou minuterie ne s'exécute.

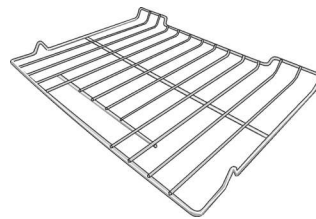
Accessoires



Sonde (certains modèles)

La sonde peut être utilisée pour déterminer le niveau de cuisson interne ou la température finale de nombreux aliments, et en particulier les viandes et la volaille.

Ne pas nettoyer dans le four autonettoyant ni mettre au lave-vaisselle.



Grille plate

Utiliser pour la plupart des plats. Il est possible d'utiliser plusieurs grilles avec certains modes de cuisson.

Ne pas nettoyer dans le four autonettoyant.



Grille télescopique (certains modèles)

grilles de 30 po additionnelles disponible via eShop

n° HEZTR301

Utiliser cette grille pour la cuisson de plats plus lourds afin de faciliter l'insertion des plats dans le four, le contrôle de la cuisson et l'enlèvement des plats du four une fois la cuisson terminée.

Ne pas nettoyer dans le four autonettoyant.



Lèche-frite (disponible via eShop)

Casserole : n° 00449757

Gril (de dessus) : n°00449756

Insertion des grilles

⚠ ATTENTION

Pour éviter les brûlures, placer les grilles du four dans la position désirée avant de mettre le four en marche. Toujours utiliser des gants isolants lorsque le four est chaud. Si une grille doit être déplacée lorsque le four est chaud, ne pas laisser les gants isolants entrer en contact avec les éléments chauffants.

En enlevant une grille de la position inférieure du four, faire attention à ne pas toucher la porte du four qui est chaude.

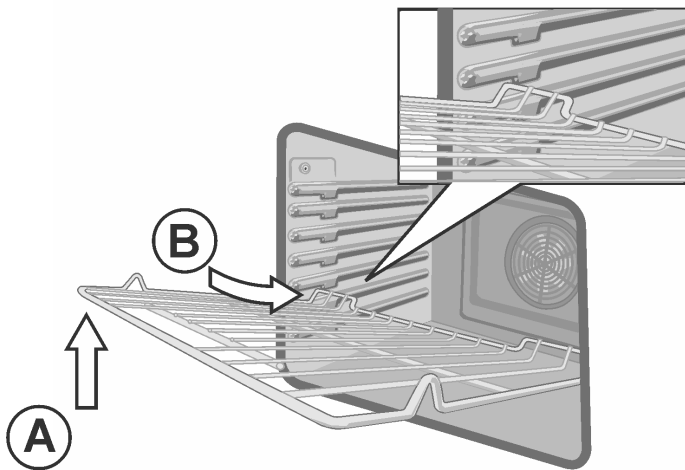
Pour éviter toute possibilité de blessure ou d'endommagement de l'appareil, s'assurer que les grilles sont installées exactement suivant les instructions de montage et non à l'envers ou sens dessus dessous.

Grille plate

Cette grille est conçue avec une butée afin qu'elle ne puisse pas sortir complètement du four et pour éviter qu'elle ne bascule.

Pour insérer la grille plate dans le four :

1. Saisir fermement la grille des deux côtés.
2. Installer la grille (voir illustration).



3. Incliner la grille vers le haut (A) pour permettre à la partie arrière ascendante inclinée de la grille de glisser sous la butée moulée dans la partie avant du guide de grille comme illustré ci-dessus.

4. Lorsque la partie arrière de la grille a dépassé la butée, abaisser la partie avant de la grille pour la mettre à l'horizontale (B) et enfourner la grille complètement à l'intérieur du four.

La grille doit être droite et de niveau, et ne doit pas être de travers.

Pour retirer la grille plate du four :

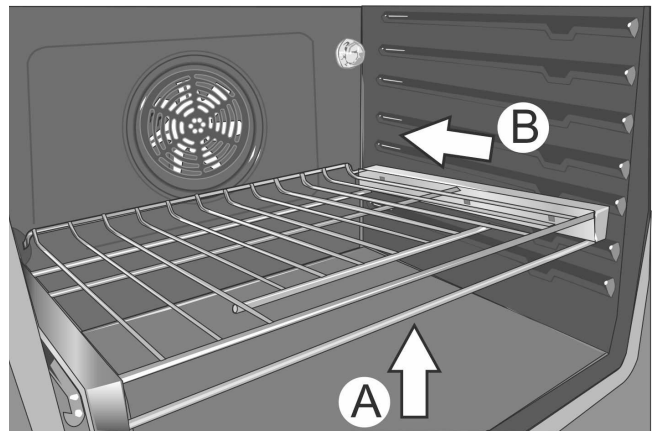
1. Saisir fermement la grille des deux côtés et tirer vers soi.
2. Lorsque la butée est atteinte, incliner la grille vers le haut de façon à ce que la partie arrière ascendante inclinée de la grille puisse glisser sous la butée. Tirer la grille complètement vers soi pour la sortir complètement du four.

Grille télescopique (certains modèles)

Pour insérer la grille télescopique dans le four :

1. Faire glisser la grille de manière régulière jusqu'à ce que l'arrière de la grille soit à environ 2 po (5 cm) de la paroi arrière du four.
2. Incliner la partie avant de la grille d'environ 3/4 de po (2 cm) (A) et continuer de l'enfoncer toute entière à l'intérieur du four (B).

Remarque : Éviter de cogner la grille contre la lentille de protection de l'éclairage du four en l'enfonçant dans le four pour la mettre en place.



3. L'arrière de la grille télescopique se met en place en se calant.
4. Tirer la grille vers l'avant pour engager sa partie inférieure sur la partie arrière du guide de positionnement de grille.
5. Abaisser la partie avant de la grille pour terminer sa mise en place sur le guide de grille. La grille doit sembler stable au toucher lorsque correctement positionnée.

6. Faire glisser la partie amovible de la grille télescopique plusieurs fois d'avant en arrière pour vérifier qu'elle peut se déplacer librement et que la partie non amovible de la grille télescopique est bien attachée.

⚠ ATTENTION

Pour éviter toute possibilité de blessure ou d'endommagement de l'appareil, s'assurer que la grille télescopique est installée exactement suivant les instructions de montage et non à l'envers ou sens dessus dessous.

Pour retirer la grille télescopique du four :

1. Soulever la partie avant de la grille télescopique d'environ 1/2 po (1,3 cm) et pousser la grille d'environ 3/4 de po (2 cm) vers le fond. Ceci permet de dégager la grille du guide de positionnement de grille.
2. Soulever la partie arrière de la grille télescopique de manière qu'elle se dégage du guide de positionnement de grille et tirer doucement la grille hors du four.

Remarque : Prendre soin d'éviter de tirer la grille de manière irrégulière car elle aura tendance à se coincer et à buter contre les parois du four.

Avant la première utilisation de l'appareil

- Retirer tous les matériaux d'emballage et les étiquettes de la cuisinière. Retirer les matériaux d'emballage se trouvant à l'intérieur du four et du tiroir.
- Lorsqu'elle est froide, essuyer la table de cuisson avec une éponge humide propre et sécher.
- Nettoyer la table de cuisson en vitrocéramique avec le produit prévu à cet effet. Faire briller à l'aide d'un chiffon propre. Voir la section Soins d'entretien et nettoyage.
- Il peut y avoir une légère odeur aux premières utilisations. Ceci est normal et disparaîtra.
- Pour obtenir des résultats de cuisson optimaux, il convient d'utiliser des ustensiles de cuisson et des plats allant au four adéquats.
- La surface de cuisson conservera la chaleur et restera chaude pendant 30 minutes après l'extinction des éléments.
- Lorsque froid, essuyer le four à l'aide d'un chiffon propre et humide et sécher.
- Lire et comprendre toutes les précautions de sécurité et le Manuel d'utilisation et d'entretien avant toute utilisation.

Fonctionnement - Table de cuisson

Cette section explique le principe de fonctionnement de la table de cuisson. Voir « *Tirer le meilleur parti de votre table de cuisson* » pour obtenir des recommandations sur la façon d'améliorer les résultats de votre table de cuisson.

À propos de la table de cuisson

Utiliser la table de cuisson pour les opérations de cuisson en surface, et notamment pour faire bouillir, frire, mijoter, cuire à la vapeur et sauter les aliments.

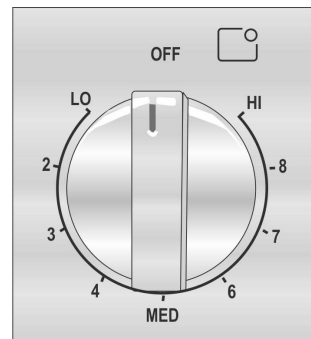
⚠ ATTENTION

- Les aliments conservés dans du papier aluminium ne doivent pas être placés directement sur la surface en vitrocéramique en vue de leur cuisson. Le papier aluminium risque de se fondre et de causer des dommages permanents.
- La matière plastique, le papier et le tissu peuvent se fondre ou prendre feu lorsque mis en contact avec une surface chaude. Ne pas laisser ces articles entrer en contact avec la surface en vitrocéramique chaude.
- Ne pas laisser les casseroles bouillir jusqu'à évaporation complète. Ceci risque d'endommager de manière permanente la casserole, l'élément et la surface en verre de la table de cuisson.
- Le non-respect des consignes d'utilisation correctes des boutons peut entraîner des lésions corporelles et endommager l'appareil.

Réglage du niveau de cuisson de l'élément

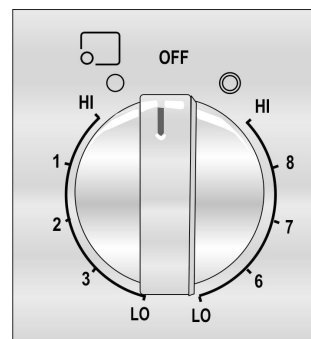
Bouton de commande de l'élément unique

Pour allumer un seul élément, appuyer sur le bouton de commande et tourner ce bouton dans n'importe quel sens jusqu'à ce que vous ayez atteint le réglage de chaleur désiré. La petite icône au-dessus du bouton de commande indique l'emplacement du brûleur commandé par le bouton.



Bouton de commande de l'élément double

Pour allumer le petit élément intérieur, appuyer sur le bouton de commande et tourner ce bouton en sens inverse des aiguilles d'une montre jusqu'à ce que vous ayez atteint le réglage de chaleur désiré. Pour allumer l'élément intérieur et l'élément extérieur simultanément, appuyer sur le bouton de commande et tourner ce bouton dans le sens des aiguilles d'une montre jusqu'à ce que vous ayez atteint le réglage de chaleur désiré. La petite icône au-dessus du bouton de commande indique l'emplacement du brûleur commandé par le bouton.



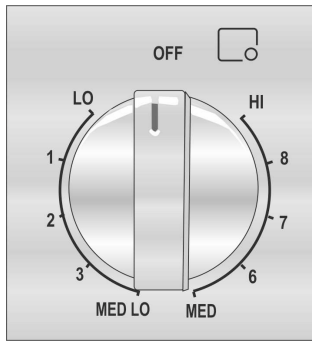
Bouton de commande de l'élément de puissance (certains modèles)

Cet élément est utilisé pour accélérer la mise en ébullition et pour mijoter à petit feu, tout cela en un seul élément. Il y a deux éléments qui sont de la grandeur de la zone de cuisson.

Pour allumer l'élément chauffant inférieur, appuyer sur le bouton de commande et tourner ce bouton dans le sens inverse des aiguilles d'une montre. Définir le réglage de chaleur désiré entre Bas (Lo) et Moyen-Bas (Med Lo).

Pour utiliser les deux éléments, appuyer sur le bouton de commande et tourner ce bouton dans le sens des aiguilles d'une montre. Définir le réglage de chaleur désiré entre Élevé (Hi) et Moyen (Med).

Sur le réglage Élevé (Hi), vous pourriez voir une partie de l'élément cyclant de marche à arrêt.



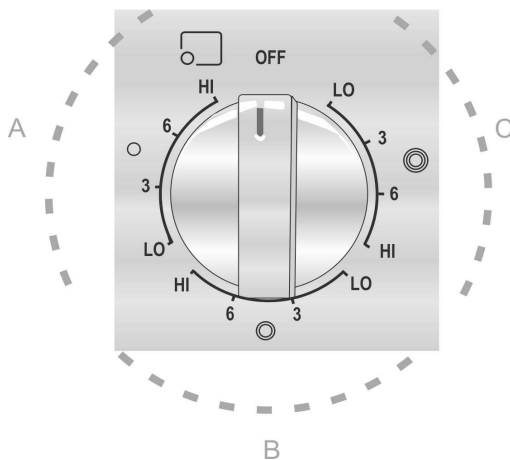
Bouton de commande de l'élément triple (certains modèles)

Pour allumer le petit élément intérieur uniquement, appuyer sur le bouton de commande et tourner ce bouton jusqu'à ce que vous ayez atteint le symbole (en sens inverse des aiguilles d'une montre). Tourner le bouton vers la gauche ou vers la droite pour régler le niveau de cuisson.

Pour allumer les éléments intérieur et central, appuyer sur le bouton de commande et tourner ce bouton jusqu'à ce que vous ayez atteint le symbole . Tourner le bouton vers la gauche ou vers la droite pour régler le niveau de cuisson.

Pour allumer les trois éléments, appuyer sur le bouton de commande et tourner ce bouton vers l'icône . Tourner le bouton vers la gauche ou vers la droite pour régler le niveau de cuisson.

Pour chacun des trois jeux d'éléments (A,B,C), la température de l'unité peut être ajustée de Bas (LO) à Élevé (HI) pour obtenir un réglage de température plus précis.



Zone de réchaud (Warming Zone)

La zone de réchaud est commandée au moyen du panneau de commande du four.

Pour mettre la zone de réchaud en marche

1. Appuyer sur la touche à effleurement **Warming Zone** (zone de réchaud).
2. Appuyer sur **Enter**.

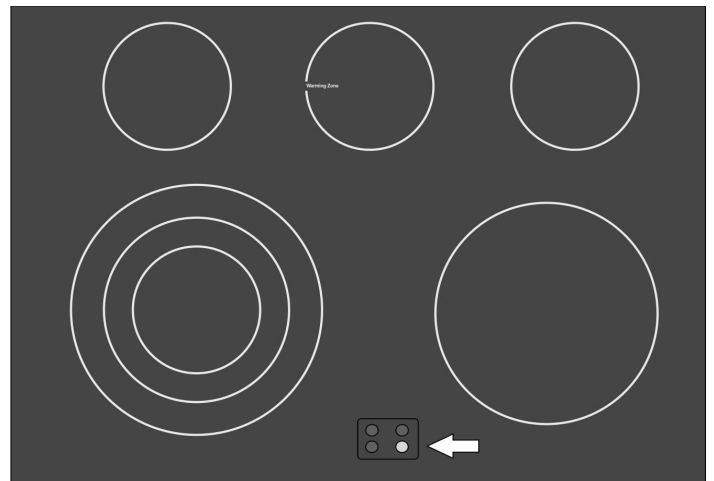
Pour mettre la zone de réchaud à l'arrêt

1. Appuyer sur la touche à effleurement **Warming Zone** (zone de réchaud).

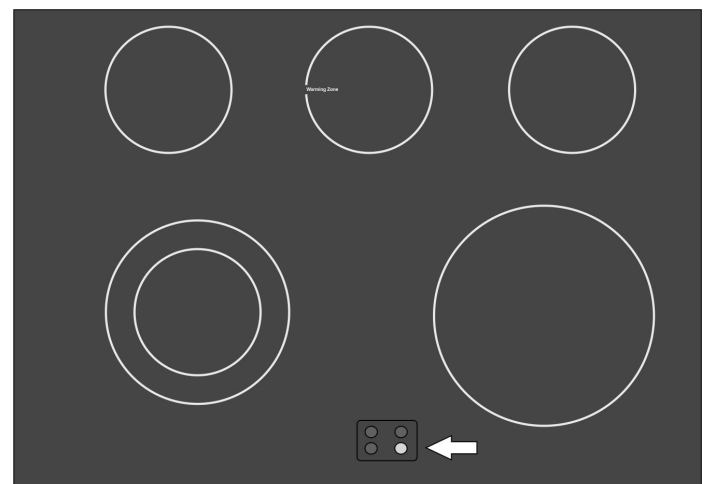
Indicateurs Mise en marche/Chaud (On/Hot) de l'élément de surface

Il existe un panneau encastré près de la partie avant de la surface de cuisson doté de voyants individuels qui représentent chaque élément. Ces voyants sont allumés lorsqu'un élément est « activé ». Le voyant reste allumé tant que l'élément est chaud. Lorsque l'élément a suffisamment refroidi, le voyant s'éteint.

Les surfaces de cuissons dotées d'un élément avant triple



Les surfaces de cuissons dotées d'un élément avant double



Éléments de surface désactivés au cours de l'auto-nettoyage

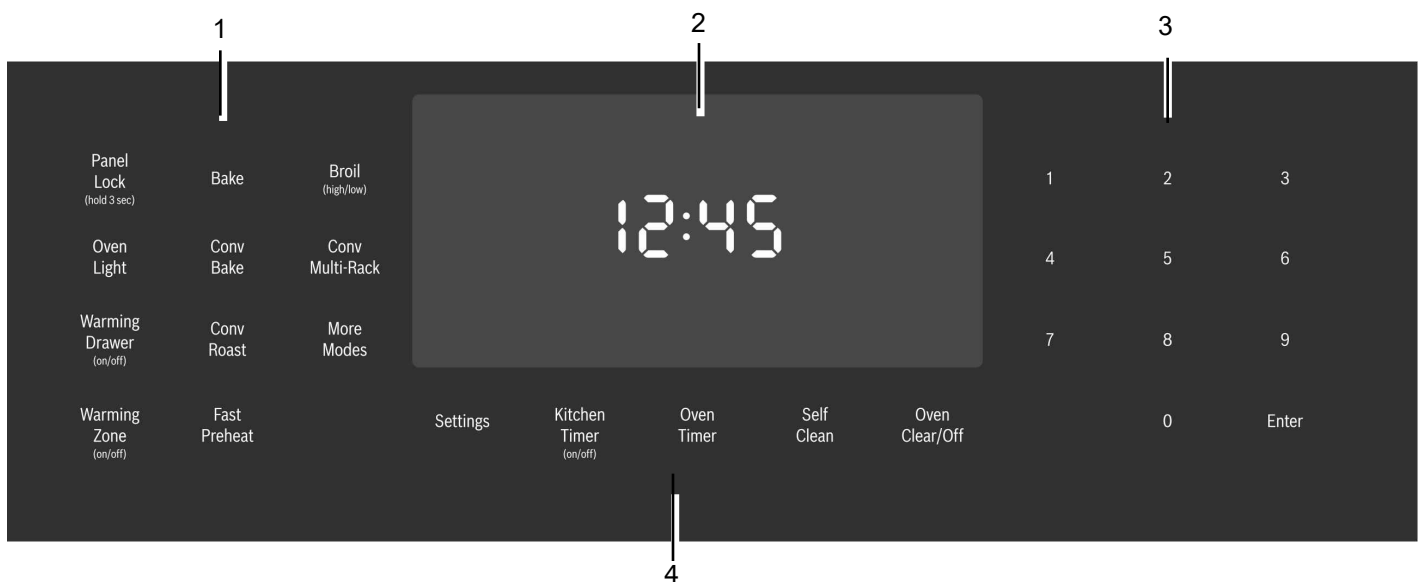
Tous les éléments de surface sont automatiquement désactivés au cours de l'opération d'auto-nettoyage uniquement. Ceci est normal. Une fois le cycle autonettoyant terminé, et que le four a refroidi, les éléments sont à nouveau aptes au fonctionnement.

⚠ AVERTISSEMENT

Pour éviter le risque de lésion corporelle pendant le fonctionnement du cycle autonettoyant, ne pas faire fonctionner la table de cuisson et s'assurer que toutes les commandes de surface sont éteintes.

Fonctionnement - Four

Panneau de commande du four



Panneau de commande du four de la série 800

- 1 Touches à effleurement de sélection des modes
- 2 Écran

- 3 Touches à effleurement du pavé numérique
- 4 Touches à effleurement de fonctions spéciales

Touches à effleurement

Remarque : Une légère pression sur les touches suffit pour les activer.

Descriptions des touches à effleurement

Panel Lock (hold 3 sec)	Active ou désactive le mode Verrouiller les touches.	Kitchen Timer (on/off)	Active et désactive la (les) minuterie(s) de cuisine. Appuyer pour modifier une minuterie.
Oven Light	Allume ou éteint l'éclairage du four.	Oven Timer (on/off)	Appuyer pour modifier la minuterie du four pour le four sélectionné. Éteint le four à la fin du temps de cuisson programmé.

Settings	Permet d'accéder aux réglages de l'utilisateur pour personnaliser l'écran de base, les langues et d'autres fonctions. Utiliser également pour régler l'horloge.
Probe	Règle la température cible de la sonde. La sonde permet de contrôler la température interne de la viande en cours de cuisson.
Fast Preheat	Active l'option Préchauffage rapide.
Self Clean	Active le mode Nettoyage Auto.
Warming Drawer (on/off)	Allume ou éteint le tiroir-réchaud.
Warming Zone (on/off)	Active la zone de réchaud sur la table de cuisson.
More Modes	Permet d'accéder aux modes de cuisson/chauffage qui ne comportent pas de touche à effleurement à accès direct.

Modes supplémentaires

Des modes supplémentaires sont disponibles en appuyant sur la touche More Modes (Modes supplémentaires). Ces modes comprennent Convection Broil, Warm, Pizza, Proof et Broil (Cuisson Gril Convection, Maintien au chaud, Pizza, Apprêt et Rôtissage). Ces modes sont traités à la section « *Tirer le meilleur parti de votre appareil* » plus loin dans ce manuel.

Symboles de l'écran



Verrou de porte - S'affiche lorsque la porte du four est verrouillée.



Symbole de préchauffage rapide - S'affiche lorsque le préchauffage rapide est actif.



Symbole de sonde - Apparaît lorsqu'une sonde est détectée.



Verrou Panneau - S'affiche lorsque le panneau de commande est verrouillé.



Nettoyage Auto - S'affiche lorsque le nettoyage automatique est activé.

Avant la première utilisation du four

- Avant l'utilisation, le four doit être correctement installé par un technicien qualifié.
- Retirer tous les matériaux d'emballage à l'intérieur et à l'extérieur du four.
- Lorsque froid, essayer le four à l'aide d'un chiffon propre et humide et sécher.
- Il peut y avoir une légère odeur aux premières utilisations. Ceci est normal et disparaîtra.
- Pour obtenir des résultats de cuisson optimaux, il convient d'utiliser des ustensiles de cuisson et des plats allant au four adéquats.
- Lire et comprendre toutes les précautions de sécurité et le Manuel d'utilisation et d'entretien avant toute utilisation.

Fonctionnement

À propos du four

Votre nouveau four réunit des résultats de cuisson supérieurs et un fonctionnement tout simple.

La conception du four a été optimisée pour améliorer la distribution de la chaleur dans la cavité du four. Il en résulte un brunissage uniforme, une réduction des temps de cuisson et une diminution des coûts énergétiques.

Grâce au mode Nettoyage Auto, les heures passées à recurer les coins les plus inaccessibles du four sont aujourd'hui révolues. Le four carbonise les salissures simplement et en toute facilité. Lorsque l'autonettoyage est terminé, il vous suffit d'essuyer les cendres résiduelles quand le four est assez froid pour toucher.

Le lettrage clair et lisible des touches à effleurement facilite grandement l'utilisation du four. Ce manuel contient toutes les instructions relatives au fonctionnement du four.

Veillez nous appeler pour toute question. Notre numéro de téléphone se trouve au début de ce manuel. Vos commentaires et suggestions sont les bienvenus!

Fonctionnalités de base

Réglage de l'horloge

Le four inclut des fonctions temporelles qui nécessitent que l'heure actuelle soit réglée. Par conséquent, il est important de régler l'horloge avant de commencer à utiliser le four. Pour accéder au mode de réglage de l'horloge, le four ne doit pas être en mode de cuisson.

Pour régler l'horloge :

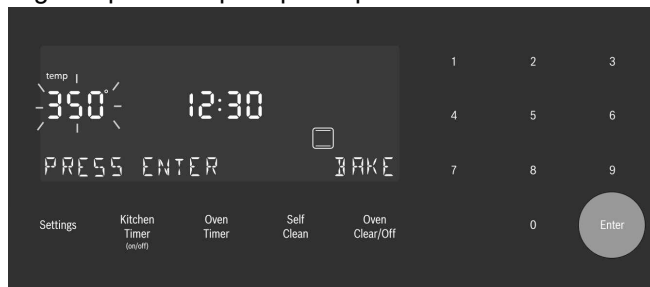
1. Le four doit être en mode Veille (le four est sous tension, mais aucun mode de cuisson ni minuterie n'est en fonctionnement).
2. Pour accéder au mode de réglage de l'horloge : Appuyer sur la touche à effleurement **Settings** (Réglages). L'écran indique « SET CLOCK » (Régler l'horloge). Appuyer sur **Enter** (Entrée) pour modifier l'horloge.
3. Utiliser le pavé numérique pour saisir l'heure souhaitée. Chaque nombre correspondant à la touche enfoncée est affiché sur la droite ce qui a pour effet de déplacer les chiffres précédemment saisis sur la gauche. Pour régler l'heure à « 12H45 » (après-midi), appuyer sur 1, 2, 4, 5.
4. Après avoir saisi l'heure souhaitée, valider l'heure en appuyant sur **Enter**.
L'horloge est désormais réglée et fonctionne.

Réglage du mode de cuisson et de la température

Il existe deux méthodes différentes de réglage du mode de cuisson et de la température.

Pour régler le mode de cuisson en premier, puis la température:

1. Appuyer sur la touche à affleurement du mode de cuisson souhaité. Le mode de cuisson et la température par défaut s'affichent. La température clignote pour indiquer qu'elle peut être modifiée.



2. Appuyer sur **Enter** pour démarrer le mode en utilisant la température par défaut.

3. Pour modifier la température, saisir la nouvelle température à l'aide des touches à effleurement du pavé numérique. 375° F (190 °C) est la température utilisée pour cet exemple. Appuyer sur **Enter** pour valider la température mise à jour.

Remarque : La nouvelle température est automatiquement programmée au bout de 10 secondes si la touche **Enter** n'est pas activée.

4. Le préchauffage démarre.



Remarque : Si la température saisie est en dehors de la plage autorisée pour le mode de cuisson, une tonalité d'erreur retentit et la partie inférieure de l'écran affiche le message « TEMP NON AUTORISÉE ».

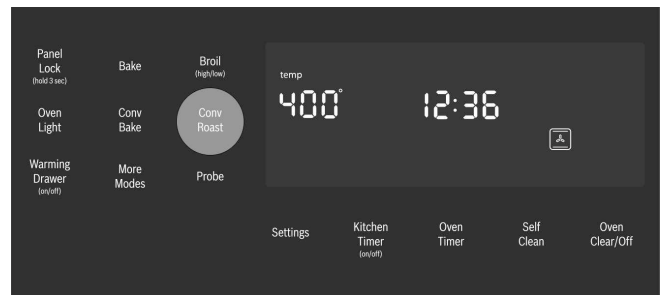
Pour régler la température en premier, puis le mode de cuisson: (ne concerne pas les modes Broil (Cuisson Gril) ou Convection Broil (Cuisson Gril Convection))

1. Appuyer sur les touches numériques pour saisir le réglage de température souhaité. La température saisie est affichée en regard de l'heure du jour.
2. Sélectionner un mode de cuisson compatible avec la température saisie. Si aucun mode de cuisson n'est sélectionné dans un délai de 5 secondes après le réglage de la température, une tonalité d'erreur retentit et le message « SÉLECTIONNER MODE » s'affiche et clignote.



3. Appuyer sur la touche à effleurement de sélection du mode pour sélectionner un mode de cuisson.

Le nouveau mode et la nouvelle température sont automatiquement programmés au bout de 10 secondes si l'on n'appuie pas sur la touche **Enter**.



Remarque : Si la température saisie est en dehors de la plage autorisée pour le mode sélectionné, une tonalité d'erreur retentit et la partie inférieure de l'écran affiche le message « TEMP NON AUTORISÉE ».

Pour modifier la température du four

1. Appuyer sur la touche à effleurement du mode de cuisson.
2. La température actuelle clignote. Utiliser les touches à effleurement du pavé numérique pour entrer une nouvelle température. Appuyer sur **Enter**.

Limitation de la durée de chauffage

La durée maximale de chauffage est définie. Si vous oubliez d'éteindre le four, il s'éteint automatiquement après une période de temps déterminée.

La durée maximale pour le mode Shabbat est de 74 heures; pour tous les autres modes de cuisson, la durée maximale autorisée est de 24 heures.

Température en °F	Température en °C	Temps maximum autorisé sans activité
100–200	30–120	24 heures
201–550	121–300	12 heures

Timer (Minuterie)

Votre nouveau four est équipé de deux types de minuteries.

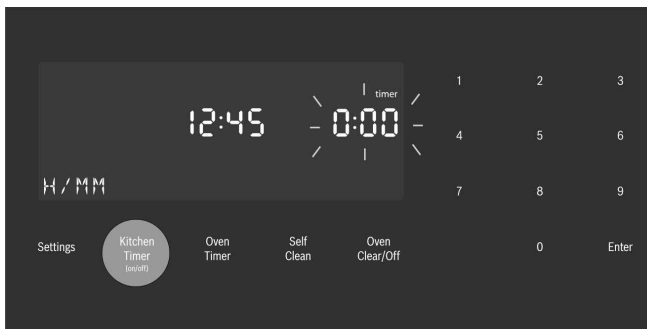
Kitchen Timer (Minuterie de cuisine) - Minuterie à compte à rebours qui n'a aucune incidence sur le chauffage du four. La minuterie de cuisine est utilisée pour les besoins de chronométrage des tâches ménagères d'ordre général.

Oven Timer (Minuterie du four) - Minuterie à compte à rebours qui, lorsqu'elle atteint 00:00, éteint le four et, par conséquent, le mode en cours. La minuterie du four est utilisée pour régler la durée d'activation d'un mode. Non disponible pour les modes Broil, Convection Broil ou Proof (Cuisson Gril, Cuisson Gril Convection ou Apprêt).

Pour régler la minuterie de cuisine :

(pour les besoins de chronométrage des tâches ménagères d'ordre général)

1. Appuyer sur **Kitchen Timer On/Off** (Minuterie de cuisine Activer/Désactiver).
0:00 s'affiche et clignote sur l'écran. Saisir la valeur de minuterie souhaitée selon le format H/MM à l'aide des touches du pavé numérique.



2. Appuyer sur **Enter**.
La minuterie de cuisine démarre.
3. Lorsque le décompte de la minuterie de cuisine parvient à zéro, une tonalité d'alarme retentit toutes les 10 secondes, ce pendant 2 minutes, et le message « FIN MINUTERIE » s'affiche.

Annuler la minuterie de cuisine - en appuyant sur le bouton **Kitchen Timer On/Off**.

Remarque

- La minuterie n'est pas modifiée lorsque d'autres paramètres le sont.

Pour modifier la minuterie de cuisine :

1. Appuyer sur le bouton **Kitchen Timer On/Off**.
2. La durée en cours clignote et peut être modifiée.

Pour régler la minuterie du four :

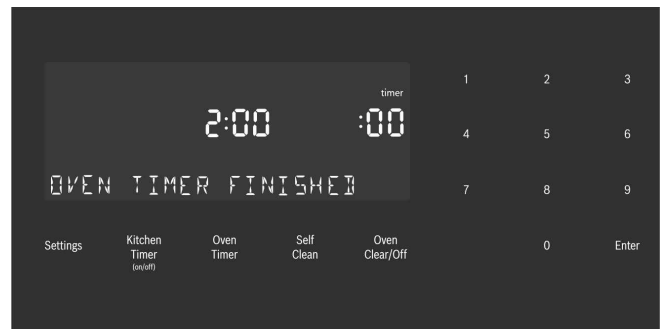
(réglage de la minuterie pour éteindre le four)

Remarque : La minuterie d'un four ne peut pas fonctionner pendant le cycle d'autonettoyage (Nettoyage Auto).

1. Appuyer sur la touche à effleurement **Oven Timer** (Minuterie du four).
2. Sélectionner le mode, appuyer sur **Enter**.
0:00 s'affiche et clignote sur l'écran. Saisir la valeur de minuterie souhaitée selon le format H/MM à l'aide des touches du pavé numérique.



Appuyer sur la touche à effleurement **Enter**. La minuterie du four lance le compte à rebours jusqu'à 0:00.



3. Lorsque la minuterie atteint :00, le mode de cuisson s'arrête et le message « MINUTERIE DU FOUR TERMINÉE » s'affiche. L'alarme du four retentit toutes les 10 secondes pendant 2 minutes.

Modifier la minuterie du four

1. Si la minuterie du four fonctionne et que la durée restante doit être modifiée, saisir le mode de la minuterie du four en appuyant sur la touche à effleurement **Oven Timer**.
2. La température clignote indiquant qu'elle peut être modifiée. Saisir une nouvelle température ou appuyer sur **Enter** pour n'effectuer aucun changement.

3. La valeur de la minuterie clignote, indiquant qu'elle peut être modifiée. Saisir la nouvelle durée et redémarrer la minuterie en appuyant sur la touche à effleurement **Enter**.

La minuterie du four peut être désactivée en saisissant 0:00.

Fast Preheat (Préchauffage rapide)

La fonction de préchauffage rapide permet de faire chauffer le four plus rapidement que le préchauffage standard. Elle est disponible pour les modes Bake, Convection Multi-Rak, Convection Roast, Roast et Pizza (Cuisson, Convection Multi-Rack, Cuisson par Convection, Rôtissage Convection, Rôtissage et Pizza); Rôtissage se trouve dans le menu **More Modes** (Modes supplémentaires). Si Fast Preheat (Préchauffage Rapide) n'est pas autorisé pour le mode de cuisson sélectionné, une tonalité d'erreur retentit. Le préchauffage rapide n'est pas disponible pour les modes Broil, Convection Broil, Proof ou Warm (Cuisson Gril, Cuisson Gril Convection, Apprêt ou Maintien au Chaud).

Pour régler Fast Preheat

1. Appuyer sur **Fast Preheat** (Préchauffage rapide).
L'icône de préchauffage rapide ⚡ apparaît sur l'écran juste au-dessus du nom du mode.
2. Appuyer sur **Start** (Démarrer).

Pour éteindre le préchauffage rapide, appuyer de nouveau sur **Fast Preheat**.

Fonctions spéciales

L'appareil comporte des fonctions spéciales qui vous offrent des avantages supplémentaires en cuisinant.

Pour en savoir davantage sur ces fonctions spéciales, consulter les sections suivantes :

- Sonde (certains modèles)
- Mode Shabbat
- Verrouiller les touches

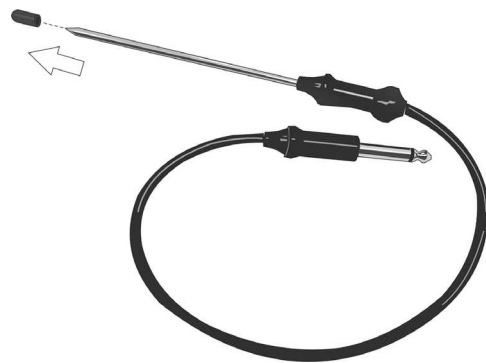
Sonde (certains modèles)

La sonde mesure la température interne de l'aliment. La sonde peut être utilisée pour les modes Bake, Roast (Cuisson, Rôtissage) et tous les modes de Cuisson par Convection sauf Convection Broil (Cuisson Gril Convection).

Retirer le capuchon de sécurité avant d'utiliser la sonde

Certains modèles sont équipés d'une sonde de température qui est utilisée pour détecter la température interne des viandes pendant la cuisson.

La sonde est expédiée avec un capuchon noir en plastique recouvrant l'extrémité pointue en métal. Le capuchon doit être retiré avant usage.



Insertion de la sonde :

Introduire la pointe de la sonde dans la viande au milieu, dans la partie la plus épaisse de la pièce, ou dans la poitrine pour les volailles. S'assurer que la sonde ne touche pas au gras, à l'os ou à des parties du four ou du plat.

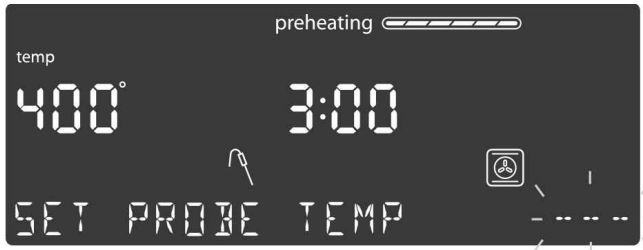
Remarque : Les aliments doivent être complètement décongelés avant d'insérer la sonde dans la viande.

Utilisation de la sonde

1. Introduire la sonde dans la viande comme décrit ci-dessus. Le symbole de sonde est affiché.
2. Brancher la sonde au four. Si la sonde n'est pas connectée au four avant de démarrer le mode Sonde, une tonalité d'erreur retentit et le message « INSÉRER SONDE » s'affiche.
3. Régler le mode de cuisson et la température.
4. L'écran Régler temp. sonde est affiché. Une invite d'entrée de trois chiffres « - - - » clignote dans le coin inférieur droit. Utiliser le pavé numérique pour saisir la température de sonde souhaitée et appuyer sur **Enter**.

Remarque : La température de sonde minimum pouvant être définie est 100° F (40 °C) et la température maximum est 200 °F (100 °C). Si la

température de sonde saisie est en dehors de cette plage, une erreur s'affiche.



5. La température actuelle de la sonde et la température cible sont affichées au format « 105/180 » dans le coin inférieur droit de l'écran. La température réelle affichera < 80 jusqu'à ce que la température de l'aliment atteigne 80 °F.

La température de sonde affichée est mise à jour par incréments de 5° F au cours du processus de cuisson.



6. Lorsque la température de la sonde atteint la température définie, le mode de cuisson est désactivé. L'heure en cours est affichée et le message « CUISSON TERMINÉE » clignote au bas de l'écran. Une tonalité d'alarme retentit toutes les 10 secondes pendant 2 minutes.



Cet écran reste dans l'affichage jusqu'à ce qu'on l'efface en appuyant sur la touche à effleurement **Oven Clear/Off** (Four Effacer/Désactiver) ou jusqu'à ce que la sonde soit retirée. Ensuite, l'écran repasse en mode Veille.

Remarque :

- La sonde n'est pas disponible lorsqu'une minuterie de cuisson a été réglée.
- Pour modifier la température de la sonde, appuyer sur la touche à effleurement **Probe** (Sonde). L'écran affiche le mode d'édition de la température de sonde et affiche le message « RÉGLER TEMP. SONDE ». Saisir la nouvelle température de la sonde et appuyer sur **Enter** pour accepter la nouvelle valeur.
- Ne pas ranger la sonde dans le four.

- Toujours saisir la sonde par la poignée pour l'insérer et la retirer.
- Toujours utiliser une poignée isolante pour retirer la sonde car elle est chaude.
- Étant donné que la viande continue de cuire après avoir été retirée du four, régler la température (sonde) interne sur 5 à 10 degrés au dessous de la température interne finale désirée (exception : la volaille).

Mode Shabbat

Le mode Shabbat permet aux personnes de religions spécifiques d'utiliser leur four le jour du Shabbat.

Le mode Shabbat peut être saisi en mode Bake (Cuisson) uniquement. La température de cuisson doit être dans la plage de température du mode Shabbat, soit 100 °F à 450 °F (37,8 °C à 232,2 °C).

Si l'éclairage du four est allumé pendant la configuration, il le restera tout au long du fonctionnement du mode Shabbat. Si l'éclairage du four est éteint pendant la configuration, il le restera tout au long du fonctionnement du mode Shabbat.

Pour régler le mode Shabbat :

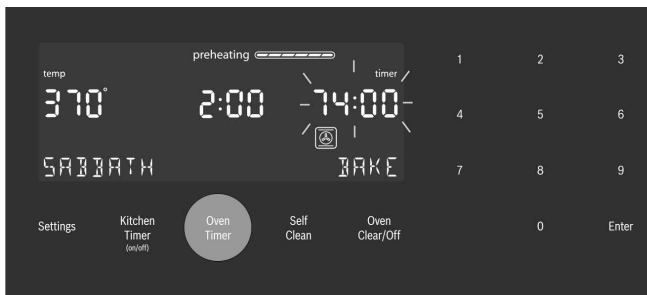
Aucune minuterie de cuisine ou de four ne doit fonctionner pendant la saisie du mode Shabbat.

1. Débuter une opération de cuisson. Alors que le mode Bake (Cuisson) est activé, appuyer sur la touche à effleurement **Oven Timer** (Minuterie du four) et maintenir cette touche enfoncée pendant cinq secondes.

Si une minuterie fonctionne pendant la tentative de démarrage du mode Shabbat, le message suivant clignote sur l'écran : « SHABBAT NON DISPONIBLE ».



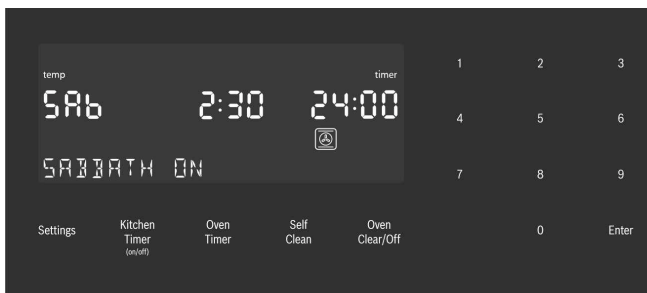
Si aucune minuterie n'est activée, les réglages du mode Shabbat apparaissent à l'écran. La minuterie du mode Shabbat clignote indiquant que la valeur peut être modifiée. La valeur par défaut est 74:00 (le nombre d'heures maximum pour lequel le mode Shabbat peut être réglé.)



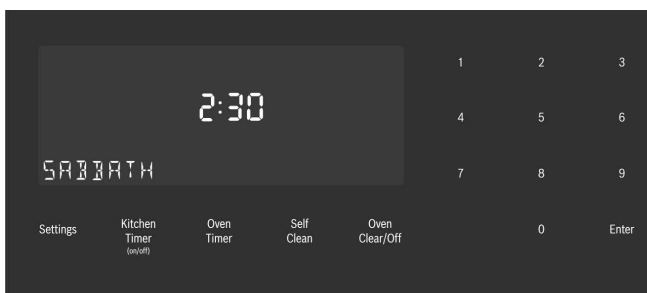
- Appuyer sur **Enter** pour accepter le nombre d'heures par défaut (74:00) et démarrer le mode Sabbath. Ou bien, utiliser le pavé numérique pour saisir la valeur de minuterie du mode Sabbath souhaitée. Il est possible de saisir des valeurs de minuterie comprises entre 0:01 et 74:00.

Remarque : Si aucune modification n'est effectuée dans un délai de 10 secondes, le mode Sabbath démarre automatiquement.

- Une fois le mode Sabbath lancé, l'écran se modifie et affiche le message « SHABBAT ACTIVÉ ».



- Lorsque le compte à rebours du mode Sabbath atteint zéro, le four affiche l'heure en cours et le message « SHABBAT ». Aucune modification n'est possible à ce stade. Pour terminer le mode Sabbath et retourner au mode de fonctionnement normal, appuyer sur la touche à effleurement **Oven Clear/Off**.



Remarque :

- En mode Sabbath, la plage de température est comprise entre 100 °F et 450 °F (37,8 °C à 232,2 °C).
- La minuterie du mode Sabbath peut être réglée entre 0:01 et 74 heures.

Pour modifier la température du mode Sabbath

Lors de la modification de la température du mode Sabbath, aucun feedback n'est donné par le panneau de commande. Si la température réglée n'est pas valide, le four repassera par défaut à la température de fonctionnement antérieure.

- Appuyer sur la touche à effleurement **Bake** (Cuisson).
- Saisir la nouvelle température de consigne souhaitée.
- Appuyer sur **Enter**.

Le four ajustera sa température de consigne après un délai aléatoire.

Panel Lock (Verrouiller les touches)

Permet à l'utilisateur de désactiver tous les boutons du panneau de commande. Verrou Panneau peut être activé uniquement en mode Veille.

- Pour activer le Verrou Panneau, appuyer et maintenir enfoncée la touche à effleurement **Panel Lock** (Verrouiller les touches) pendant 3 secondes (en mode Veille).
- Pour désactiver cette fonction, appuyer et maintenir enfoncée la touche à effleurement **Panel Lock** pendant 3 secondes. L'écran retourne en mode Veille.

Settings (Réglages)

Le menu de configuration du four est utilisé pour personnaliser certains réglages du four.

Le four doit être en mode Veille (aucun mode de cuisson ou minuterie ne doit s'exécuter) afin de pouvoir accéder au menu de Configuration.

Pour modifier les éléments du menu Settings (Réglages)

- Appuyer sur la touche à effleurement **Settings** (Réglages).
- Le premier élément de configuration est affiché. L'écran indique « SET CLOCK » (Régler l'horloge). Appuyer de nouveau sur **Settings** pour accéder au menu des réglages.
- Pour afficher un élément de configuration différent, appuyer sur le numéro correspondant à ce réglage (voir le tableau suivant ou appuyer sur la touche à effleurement **Settings** pour faire défiler les options disponibles).
- Pour modifier la valeur du réglage affiché, appuyer sur la touche à effleurement **Enter** pour saisir le mode d'édition. Utiliser les touches du pavé numérique pour

modifier la valeur du réglage. La valeur de réglage correspondante est indiquée dans le tableau suivant.

Pour régler la température compensée, lorsque l'élément est en mode d'édition, appuyer d'abord sur « - » ou sur « + », puis sur la valeur numérique compensée.

La nouvelle valeur est automatiquement acceptée alors que l'écran repasse du mode d'édition au mode d'affichage.

Pour quitter le menu Réglages

Appuyer sur la touche à effleurement **Oven Clear/Off** (Four Activer/Désactiver).

Température compensée du four

Le four est calibré afin de fournir des résultats précis. Cette fonctionnalité est utile si vous préférez vos aliments plus ou moins dorés. Lorsqu'une température compensée est sélectionnée, la température réelle du four est augmentée ou diminuée de cette valeur.

Pour régler une valeur compensée, le four doit être éteint. Pour paramétrer, se reporter à « *Température compensée* » à la section « *Options du menu Réglages* ».

Options du menu Réglages

Élément de menu	Description	Valeur par défaut
1 Mode de température :	Fahrenheit (°F) ou Celsius (°C)	°F
2 Luminosité	Élevé, Moyen, Bas	Élevé
3 Volume	Élevé, Moyen, Bas	Élevé
4 Mode Horloge	Mode d'affichage 12 heures ou 24 heures. 12HR, 24HR.	12HR
5 Conversion Convection Auto	Diminuer la température de 25° F (14 °C) pour les modes Convection Bake (Cuisson par Convection) et Convection Multi-Rack. ON (ACTIVÉ), OFF (DÉSACTIVÉ).	DÉSACTIVÉ
6 Tonalité des boutons	Une tonalité retentit lorsqu'on appuie sur une touche à effleurement. ON (ACTIVÉ), OFF (DÉSACTIVÉ).	ACTIVÉ
7 Affichage de l'horloge en veille	L'horloge s'affiche quand aucun mode de cuisson ne s'exécute ou si la minuterie est en marche. ON (ACTIVÉ), OFF (DÉSACTIVÉ).	ACTIVÉ
8 Langue	Paramètre de langue : Anglais (EN), Français (FR)	EN
9 Temp. Compensée Remarque : Les températures compensées doivent toujours être saisies sous forme de 2 chiffres. Exemple : Pour 5 °F, saisir 05.	Règle la valeur de la température compensée pour Bake (Cuisson), Convection Bake (Cuisson par Convection), Roast (Rôtissage), Convection Roast (Rôtissage Convection) et Convection Multi-Rack. Lorsqu'une valeur compensée est saisie, la température réelle du four est augmentée ou diminuée de cette valeur. Cette fonction est utile si les aliments sont systématiquement trop ou pas assez dorés. La plage de modification de la compensation est de +/- 35 °F (+/- 19 °C) par incréments de 1°. La valeur par défaut est 0.	0

Fonctionnement - Tiroir-réchaud

Cette section explique le principe de fonctionnement du tiroir-réchaud. Voir « *Tirer le meilleur parti de votre tiroir-réchaud* », page 32, pour des recommandations sur la façon d'améliorer les résultats de votre tiroir-réchaud.

À propos du tiroir-réchaud

Le tiroir-réchaud permet de conserver les aliments cuits et chauds à une température de service. Les réglages du tiroir-réchaud sont les suivants : Bas (Low), Moyen (Medium), et Élevé (High).

Spécifications du tiroir réchaud

Intérieur du tiroir : 25 po (63,5 cm) L x 17 po (43,1 cm) P x 3 po (12,7 cm) H

Tailles des ustensiles de cuisson :

- 2 plats en Pyrex d'une contenance de 28,39 dl chacun, mesurant 9 po (22,8 cm) x 13 po (33,02 cm), côte à côte.
- 2 plats en Pyrex d'une contenance de 37,85 dl chacun, mesurant 9 1/2 po (24,1 cm) x 15 po (38,1 cm), côte à côte.
- 4 assiettes de 10 1/2 po (26,6 cm), seules ou empilées
- 3 assiettes de 11 po (27,9 cm), seules ou empilées

Fonctionnement

⚠ ATTENTION

Pour assurer la sécurité alimentaire, respecter les règles d'hygiène suivantes :

- NE PAS utiliser un tiroir-réchaud pour faire chauffer des aliments froids (exception : le tiroir-réchaud peut être utilisé en toute sécurité pour redonner leur croquant aux biscuits salés, aux croustilles ou aux céréales sèches et pour faire chauffer les assiettes).
- S'assurer de maintenir les aliments à la température adéquate. L'USDA recommande de maintenir les aliments chauds à 140 °F (60 °C) ou plus.
- NE PAS maintenir des aliments au chaud pendant plus d'une heure.
- Les contenants en plastique, le film étirable ou le papier aluminium peuvent se fondre lorsqu'ils sont en contact direct avec le tiroir ou un ustensile chaud. S'ils se fondent dans le tiroir, ils peuvent être impossibles à nettoyer.

Préchauffage

Pour de meilleurs résultats, préchauffer le tiroir-réchaud lors du maintien au chaud de tout aliment.

Durées de préchauffage :

- Bas 10 minutes
- Moyen 15 minutes
- Élevé 20 minutes

Allumer et éteindre le tiroir-réchaud

1. Appuyer sur la touche à effleurement qui correspond au tiroir-réchaud.
2. TIROIR-RÉCHAUD sera affiché, accompagné du réglage par défaut « MED » (Moyen). L'icône ambre du tiroir-réchaud est affichée sous l'horloge.
3. Pour accepter le réglage « MED », appuyer sur la touche à effleurement **Enter**. Le réglage est accepté et l'icône du tiroir-réchaud reste allumée. Si la touche **Enter** n'est pas pressée, le réglage du tiroir-réchaud n'est pas accepté et celui-ci s'éteint.
4. Pour modifier le réglage, lorsque « MED » est affiché, appuyer à nouveau sur la touche du tiroir-réchaud. Le réglage passe sur « HIGH » (Élevé). Appuyer de nouveau sur la touche à effleurement du tiroir-réchaud pour faire passer le réglage sur « LOW » (Bas). Pour accepter un réglage, appuyer sur la touche **Enter**. Le réglage affiché sera accepté et l'icône du tiroir-réchaud est allumée sous l'horloge, indiquant que le tiroir-réchaud est activé.
5. Pour éteindre le tiroir-réchaud, appuyer sur la touche à effleurement correspondante et celui-ci s'éteindra. L'icône du tiroir-réchaud ne sera plus visible sous l'horloge.

Maintien au chaud des bols et assiettes vides

- Utiliser uniquement des plats résistants à la chaleur.
- Maintenir au chaud à une température peu élevée qui convient aux récipients de cuisson.
- Vérifier la température du plat pendant la durée de maintien au chaud.
- Disposer les assiettes ou les plats vides dans un tiroir-réchaud froid. Ne pas préchauffer le tiroir avant d'y mettre les plats.

Tirer le meilleur parti de votre table de cuisson

Guide de cuisson destiné à la table de cuisson

Faire bouillir de l'eau

Le temps de mise à ébullition varie considérablement en fonction des conditions ambiantes. Essayez les conseils suivants pour réduire le temps d'ébullition :

- Couvrir les casseroles d'un couvercle.
- Utiliser une casserole dont les dimensions correspondent à la quantité d'eau et à la taille de l'élément chauffant.
- Sélectionner une casserole à fond plat (Pour des détails, voir le « Guide de sélection des ustensiles de cuisson » dans la colonne suivante).
- Choisir une casserole moyennement lourde (plutôt que lourde).
- Veiller à placer la casserole de telle manière que le fond soit complètement en contact avec l'élément.
- Verser dans la casserole de l'eau déjà chaude.
- Faire bouillir la quantité d'eau la plus petite possible. Les volumes plus réduits bouillent plus rapidement que les volumes plus importants.

Réglages recommandés

Utiliser ce tableau comme guide de réglage de la chaleur. Une plage de réglages de chaleur est donnée car le réglage réel dépend des éléments suivants :

- le type et la qualité de la casserole (Voir « Sélection des ustensiles de cuisson »),
- le type, la quantité et la température des aliments,
- l'élément utilisé et
- les préférences du cuisinier/de la cuisinière.

Les réglages de chaleur recommandés sont basés sur une source d'alimentation de 240 volts. Si votre table de cuisson est connectée à un réseau de 208 volts, les

mêmes réglages de chaleur s'appliquent mais les aliments risquent de prendre un peu plus longtemps pour finir de cuire.

Table 1: Guide de cuisson

Usages	Réglages de chaleur
Porter l'eau à ébullition	Élevé
Frir, sauter, dorer la viande, friture en bain	Vif-moyen
La plupart des opérations de friture, les œufs, les pancakes, ébullition lente	À point
Mijotage, finition de la cuisson des aliments, aliments couverts, cuisson à la vapeur	Bas-moyen
Faire fondre le beurre et le chocolat	Bas

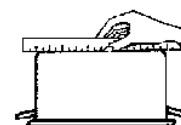
Guide de sélection des ustensiles de cuisson

Caractéristiques des ustensiles de cuisson

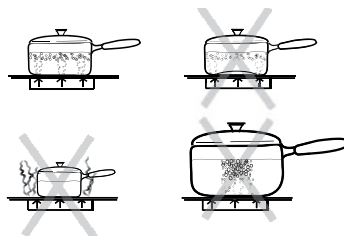
Le choix des ustensiles de cuisson affecte directement la vitesse et l'homogénéité de la cuisson. Pour obtenir de meilleurs résultats, choisir des ustensiles à fond plat. Lorsqu'un ustensile de cuisson est chaud, le fond de cet ustensile (la base), doit reposer uniformément sur la surface sans vaciller (osciller). Les ustensiles plats, de poids moyen à lourd, sont préférables.

Tester l'aspect plat de vos ustensiles

Retourner la casserole sur le plan de travail et placer une règle à plat contre le fond. Le fond de la casserole et la tranche de la règle doivent être l'un contre l'autre.



Il existe un autre test facile à réaliser qui permet de déterminer si la diffusion de la chaleur s'effectue sur toute la surface du fond d'une casserole. Mettre 1 po (24,5 mm) d'eau dans la casserole. Faire bouillir l'eau et observer l'emplacement des bulles dès le début de l'ébullition. Dans les ustensiles plats adéquats, les bulles seront réparties d'une manière régulière sur toute la surface du fond.



Diamètres équivalents – Le fond d'une casserole doit recouvrir ou être équivalent au diamètre de l'élément utilisé. Les ustensiles peuvent dépasser de l'élément de 1 po (2,5 cm) sur le pourtour de celui-ci.

Couvercles qui ferment bien – Un couvercle permet de diminuer la durée de cuisson en retenant la chaleur dans la marmite.

Conseils relatifs à la batterie de cuisine

- Éviter l'emploi de marmites et de casseroles dont les fonds arrondis (concaves ou convexes) sont voilés ou bosselés.
- S'assurer que le fond de la marmite ou de la casserole utilisée est propre et sec.
- Utiliser des marmites et des casseroles à fonds métalliques épais et lisses.
- Ne pas faire glisser les marmites en métal sur la surface de la table de cuisson. Les casseroles laissent des marques qui doivent être enlevées immédiatement. Voir la section Soins d'entretien et nettoyage.
- Ne pas utiliser de casseroles en verre car elles risquent de rayer la surface.

Ustensiles spéciaux

Les ustensiles spéciaux tels les plaques chauffantes, les rôtissoires, les autocuiseurs, les woks et le matériel de mise en conserve au bain-marie ou par pression doivent avoir les mêmes caractéristiques que décrites ci-dessus. Utiliser uniquement un wok à fond plat. Ne jamais placer un anneau de support, tel qu'un anneau pour wok ou un trépied sur la surface de cuisson.

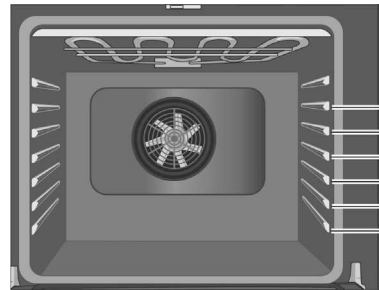
Tirer le meilleur parti de votre four

Conseils généraux

Mise en place des ustensiles de cuisson

On obtient de meilleurs résultats en plaçant les ustensiles de cuisson au centre du four. Si l'on fait cuire plusieurs plats sur une même grille, laisser au moins 1 à 1 ½ po (2,5 à 3,8 cm) d'espace libre autour des plats. Pour la cuisson simultanée des 4 étages d'un gâteau étagé, placer les moules sur deux grilles en les décalant afin qu'ils ne soient pas placés directement les uns au-dessus des autres.

Position des grilles



Les positions de grilles sont numérotées de 1 à 6 de bas en haut. Consulter les tableaux de cuisson des aliments, à l'arrière de ce manuel, pour connaître les positions de grille recommandées.

La glissière située sur la voûte du four permet de guider la grille supérieure (position 6). Utiliser uniquement les positions de grille de 1 à 6. NE PAS tenter d'utiliser le dispositif de guidage supérieur pour soutenir une grille de four.

Position des grilles	Idéal pour
6 (position utilisable la plus élevée)	hamburgers, steaks
5	faire griller le pain, faire griller la plupart des viandes, faire fondre le fromage
4	viandes plus épaisses
3	faire cuire les volailles au grilloir, la plupart des produits boulangers préparés sur une tôle à biscuits ou dans un moule utilisant une seule grille; ceci comprend les aliments prêts-à-servir congelés, les gâteaux, les ragoûts et la pizza congelée
2	les petits rôtis ou volailles, les gâteaux Bundt, les tartes, le pain
1 (position la plus basse)	les gros rôtis, la dinde, le gâteau des anges

Papier aluminium

Ne pas utiliser de papier aluminium ou de doublure de protection pour revêtir toute partie de l'appareil, et en particulier la sole du four. L'utilisation de ces doublures peut entraîner un risque de choc électrique ou d'incendie.

Préchauffer le four

- Placer les grilles dans la position désirée avant de faire chauffer le four.
- Préchauffer le four lors de l'utilisation des modes Cuisson, Cuisson par Convection, Convection Multi-Rack, Pizza, Cuisson Gril, Cuisson Gril Convection et Maintien au Chaud.
- Le préchauffage n'est pas utilisé pour les modes Rôtissage, Rôtissage Convection et Apprêt.
- Faire préchauffer le four tout en préparant les ingrédients de la recette ou les aliments.
- Le réglage d'une température plus élevée n'écourte pas le temps de préchauffage.
- Une fois le four préchauffé, mettre les aliments au four le plus vite possible pour minimiser la perte de chaleur et éviter la baisse de température du four.
- Pour accélérer le temps de préchauffage, utiliser la fonction de Préchauffage rapide.

Rappels concernant le préchauffage

Votre four possède l'un des temps de préchauffage les plus brefs du marché grâce à un élément de cuisson dissimulé. L'élément inférieur est dissimulé sous la sole du four. Il est normal que le temps de préchauffage soit différent de votre four précédent dont l'élément était exposé sur la sole du four.

- Le nettoyage du four est plus facile car il n'est plus nécessaire de contourner un élément tubulaire exposé sur la sole du four. L'élément inférieur dissimulé est protégé des souillures et des renversements d'aliments. Essuyer les renversements surabondants est simple.
- Le préchauffage du four n'est pas nécessaire pour la cuisson des viandes, de la volaille, des ragoûts et des aliments congelés.
- Le temps de préchauffage sera plus long lorsque l'alimentation électrique de votre domicile est inférieure à 240 volts.
- Toute augmentation de la température du four entraînera un temps de préchauffage supplémentaire. Par exemple, le temps de préchauffage pour un four à 425 °F (218 °C) est plus long que celui d'un four à 350 °F (177 °C).

Pour la cuisson au gril, préchauffer le four pendant 3 à 4 minutes. Ne pas préchauffer le four au-delà de 5 minutes.

Pour de meilleurs résultats

- Utiliser les recommandations de cuisson comme guide.
- Ouvrir la porte aussi brièvement que possible pour éviter les chutes de température.
- Utiliser l'éclairage intérieur du four pour vérifier la cuisson des aliments par le hublot plutôt que d'ouvrir la porte à plusieurs reprises.
- Utiliser la minuterie de cuisine pour comptabiliser les temps de cuisson.

Casseroles et plats allant au four

- Les plats en verre allant au four absorbent la chaleur. Diminuer la température de 25 °F (14 °C) lorsque vous cuisinez avec des plats en verre.
- Préchauffer le four avant d'y placer les plats en verre.
- Utiliser des plats de cuisson adaptés au degré de brunissage désiré. Pour obtenir une croûte tendre, légère et brun doré, utiliser des plats allant au four en métal anodisé ou brillant.
- Les plats foncés, rugueux ou mats (antiadhésifs ou anodisés) absorbent la chaleur et donnent une croûte plus dorée et plus croustillante. Certains fabricants recommandent de réduire la température de 25 °F (14 °C) lors de l'utilisation de ce type de plat. Suivre les recommandations du fabricant.

- Les tôles à biscuits ou les plats allant au four isolés feront augmenter la durée de cuisson.
- Ne poser aucun objet lourd sur la porte ouverte du four.
- Ne pas garder d'ustensiles de cuisson ou de pierres à pizza vides dans le four pendant la cuisson, car cela risque de modifier le rendement du four. Ranger les ustensiles de cuisson hors du four.

Ouverture de la porte du four

- Ouvrir et fermer la porte de l'appareil uniquement en utilisant la poignée. Pour éviter les risques de brûlures, ne pas toucher les autres parties de la porte du four.

Cuisson à haute altitude

- À haute altitude, les recettes et les temps de cuisson peuvent varier.
- Pour des renseignements plus précis, écrire au Service de vulgarisation de la Colorado State University, à Fort Collins, Colorado 80521. Il est possible que vous ayez à vous acquitter du coût des guides de cuisson. Préciser le nom du guide de préparation culinaire à haute altitude que vous désirez, à savoir : renseignements généraux, gâteaux, biscuits, pains, etc.

Condensation

- Il est normal de voir une certaine quantité de vapeur d'eau s'échapper des aliments au cours d'un processus de cuisson. La quantité dépend de la teneur en humidité des aliments. L'humidité peut se condenser sur n'importe quelle surface plus froide que la cavité du four, comme par exemple sur le panneau de commande.

Plage de température par mode de cuisson

Les températures indiquées sont en Fahrenheit.

Mode	Le plus faible	Le plus élevé
Cuisson	100	550
Rôtissage	100	550
Cuisson Gril (Bas, Élevé)	450	550
Maintien au Chaud	150	225
Apprêt	85	125
Cuisson par Convection	100	550
Convection Multi-Rack	100	550
Rôtissage Convection	100	550

Pizza	100	550
Cuisson Gril Convection (Bas, Élevé)	450	550

Modes de cuisson

Bake (Cuisson)



Le mode **Bake** est un mode de cuisson par circulation d'air chaud et sec. Les éléments supérieur et inférieur chauffent à intervalles réguliers pour maintenir la température du four.

Le mode Bake (Cuisson) peut être utilisé pour préparer toute sorte d'aliments, depuis les pâtisseries jusqu'aux ragoûts. Se reporter aux conseils de préparation de la recette ou de l'emballage pour connaître les températures et les temps de cuisson.

Conseils

- Lors de l'utilisation du mode Bake, faire préchauffer le four si la recette le recommande.
- Le temps de cuisson varie selon la taille, la forme et le revêtement de l'ustensile utilisé. Les récipients métalliques foncés ou les revêtements antiadhésifs permettent d'obtenir une cuisson plus rapide et un brunissage plus intense. Avec les ustensiles de cuisson isolants, la durée de cuisson augmente pour la plupart des aliments.
- **Pour de meilleurs résultats, faire cuire les aliments sur une seule grille** en laissant 1 1/2 po (3,8 cm) d'espace minimum entre les ustensiles ou les plats et les parois du four.
- Éviter les pertes de chaleur en vérifiant périodiquement la cuisson des aliments par le hublot du four au lieu d'ouvrir la porte.

Conversion Convection Auto

Les modes de Convection Bake (Cuisson par Convection) et Convection Multi-Rack (cuisson sur plusieurs grilles) nécessitent une réduction de température de 25 °F (14 °C). Le mode Conversion Convection Auto diminue la température que vous avez saisie automatiquement. Entrer simplement la température de la recette ou indiquée sur l'emballage lors du réglage du mode. La commande calcule la température juste et l'affiche à l'écran.

- La fonction Conversion Convection Auto peut être activée pour procéder à des ajustements automatiques de la température. Voir la section « Conversion Convection Auto » à la section « Settings » pour plus de détails.

Convection Bake (Cuisson par Convection)



Le mode **Convection Bake** est similaire au mode Cuisson. La chaleur provient des éléments chauffants supérieur et inférieur. La principale différence est que la chaleur circule à l'intérieur de la cavité du four sous l'action du ventilateur à convection.

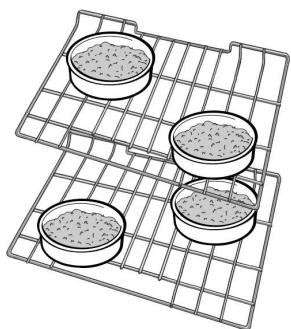
Le mode de Convection Bake (Cuisson par Convection) est idéal pour la cuisson des gâteaux, des biscuits en barres et des pains car il se sert de la chaleur de l'élément inférieur qui donne aux aliments cuits au four une croûte plus savoureuse.

Les avantages du mode Convection Bake comprennent :

- Une légère diminution de la durée de cuisson.
- Un volume plus élevé (les aliments à base de levure lèvent mieux).

Conseils

- Placer les aliments dans des moules peu profonds, non couverts, tels que des tôles à biscuit sans rebords.
- Pour faire cuire les gâteaux, utiliser les positions de grille 2 et 5.
- Si l'on fait cuire plusieurs plats sur une même grille, laisser au moins 1 po à 1 1/2 po (2,5 à 3,8 cm) d'espace libre autour des plats. Décaler les moules de façon à ce qu'ils ne soient pas directement placés les uns au-dessus des autres (voir le schéma ci-dessous). Utiliser les positions de grille figurant ci-après.



Convection Multi-Rack



Le mode **Convection Multi-Rack** utilise la chaleur diffusée par un troisième élément situé derrière la paroi arrière du four. La chaleur circule à l'intérieur de la cavité du four sous l'action du ventilateur à convection.

Le mode Convection Multi-Rack est idéal pour la cuisson des aliments en portions individuelles tels les biscuits et les biscottes. Ce mode convient également à la cuisson simultanée sur plusieurs grilles (2 ou 3). La cuisson des biscuits peut se faire simultanément sur 6 grilles différentes. Dans ce cas, le temps de cuisson augmente légèrement.

Les avantages du mode Convection Multi-Rack comprennent :

- Un brunissage uniforme.
- Des économies de temps grâce à l'utilisation de plusieurs grilles en même temps.

Conseils

- Réduire la température du four indiquée dans la recette de 25 °F (14 °C) si le mode Conversion Convection Auto n'est pas activé.
- Placer les aliments dans des moules à rebords peu élevés, non couverts, tels que des tôles à biscuit sans rebords.
- Si l'on fait cuire plusieurs plats sur une même grille, laisser au moins 1 po à 1 1/2 po (2,5 à 3,8 cm) d'espace libre autour des plats. Décaler les moules afin qu'ils ne soient pas directement les uns au-dessus des autres.

Pizza



En mode **Pizza**, la chaleur diffusée par les éléments supérieur et inférieur circule à l'intérieur de la cavité du four sous l'action du ventilateur à convection.

Le mode Pizza convient pour les pizzas fraîches ou congelées.

Conseils

- Il se peut que la durée de cuisson soit légèrement plus courte. Vérifier au préalable la durée minimale indiquée sur l'emballage.
- Lorsque vous faites cuire une pizza congelée : Pour obtenir une croûte croustillante, placer la pizza directement sur la grille.

Pour obtenir une croûte plus molle, utiliser une plaque à pizza.

- Pour apprêter la pâte à pizza, badigeonner celle-ci d'huile d'olive, la mettre dans un saladier et bien couvrir le saladier d'un film étirable pour éviter qu'une croûte ne se forme à la surface.
- Saupoudrer de la semoule de maïs sur la plaque à pizza pour éviter que la pâte n'attache.
- Si vous utilisez une palette à pizza, saupoudrer généreusement celle-ci de semoule de maïs pour transférer la pâte sur la plaque.
- Si vous faites cuire à blanc une pâte à pizza faite maison, piquer le fond avec une fourchette avant de mettre au four.
- Si vous utilisez un moule à pizza, choisir un moule foncé muni de trous pour obtenir une croûte plus croustillante et un moule non troué pour obtenir une croûte plus molle.
- Préchauffer les pierres à pizza en suivant les recommandations du fabricant pendant le préchauffage du four.
- Faire cuire les pizzas maison au centre de la grille et placer celle-ci en position 2.
- Pour les pizzas congelées, observer les recommandations du fabricant.
- Lors de l'utilisation du mode Pizza, le ventilateur à convection s'allume et s'éteint par intermittence.

Roast (Rôtissage)



Le mode **Roast** utilise à la fois les éléments supérieur et inférieur pour maintenir la température du four. Ce mode exige que l'élément supérieur produise une chaleur plus intense que celle diffusée par l'élément inférieur. Ceci permet d'obtenir des mets bien dorés à l'extérieur et particulièrement moelleux à l'intérieur.

Le mode Roast (Rôtissage) convient parfaitement à la viande et à la volaille et aux coupes de viande moins tendres.

Conseils :

- Il n'est pas nécessaire de préchauffer le four.
- Utiliser un plat à rôtir à rebords élevés ou une rôtissoire. Couvrir le plat avec un couvercle ou une feuille d'aluminium pour faire cuire les coupes de viande moins tendres.
- Pour les coupes de viande moins tendres, ajouter des liquides, tels de l'eau, du jus, du vin, du bouillon ou un fond pour parfumer et mouiller la viande.

- Les sacs à rôtir se prêtent bien à ce mode de cuisson de même que les couvercles.
- Pour faire rôtir un poulet ou une dinde entiers, replier les ailes sous le dos et attacher les cuisses de manière lâche avec de la ficelle de cuisine.

Convection Roast (Rôtissage Convection)



Le mode **Convection Roast** utilise la chaleur diffusée par les éléments supérieur et inférieur ainsi que la chaleur qui circule dans la cavité sous l'action du ventilateur à convection.

Le mode Convection Roast (Rôtissage Convection) est bien adapté à la préparation des coupes de viande tendres et de la volaille. Il convient également au rôtissage des légumes.

Les avantages du mode Convection Roast comprennent :

- Une cuisson jusqu'à 25 % plus rapide que les modes n'utilisant pas la Cuisson par Convection.
- Un brunissage riche, doré.

Conseils :

- Il n'est pas nécessaire de préchauffer le four.
- Utiliser la même température que celle qui est indiquée sur la recette.
- Vérifier la cuisson au début car la durée de rôtissage peut être écourtée. Pour des exemples, consulter le Tableau de cuisson de la viande/volaille.
- Ne pas couvrir la viande ni utiliser de sacs de cuisson.
- Utiliser un plat à rôtir avec grille et gril-lèche-frite ou un plat à rôtir avec grille peu profond et non couvert.
- Utiliser un thermomètre à viande pour déterminer la température interne de celle-ci.
- Si la viande est dorée à souhait, mais que la cuisson n'est pas terminée, vous pouvez la couvrir d'une feuille de papier aluminium pour qu'elle ne dore pas trop.
- Une fois la viande sortie du four, la couvrir avec du papier aluminium et laisser reposer pendant 10 à 15 minutes.
- Consulter le Tableau de cuisson de la viande/volaille pour connaître les positions de grille recommandées.

Broil (Cuisson Gril)



Le mode **Broil** utilise la chaleur intense diffusée par l'élément supérieur.

Le mode Broil (Cuisson Gril) est parfaitement adapté à la cuisson des pièces de viande minces et tendres de 1 po (2,5 cm) d'épaisseur ou moins, de la volaille et du poisson. On peut l'utiliser également pour faire griller le pain et gratiner les ragoûts. Toujours faire griller les aliments avec la porte fermée. Les avantages du mode Cuisson Gril comprennent :

- Une cuisson rapide et efficace.
- Une cuisson ne nécessitant pas l'ajout de matières grasses ou de liquides.

Conseils :

- Préchauffer le four pendant 3 à 4 minutes. Ne pas préchauffer le four au-delà de 5 minutes.
- Le steak et les côtelettes doivent avoir au moins $\frac{3}{4}$ po (2 cm) d'épaisseur.
- Badigeonner le poisson et la volaille de beurre ou d'huile pour éviter qu'ils n'attachent pendant la cuisson.
- Pour le rôtissage, utiliser un plat à rôtir et un gril-lèche-frite, ou un plat profond doté d'une plaque-gril en métal.
- Ne pas recouvrir le gril-lèche-frite de papier aluminium. Il a été conçu pour faciliter l'écoulement des matières grasses hors de la surface de cuisson et pour éviter le dégagement de fumée et les éclaboussures.
- Tourner les viandes (autres que le poisson) une fois pendant la durée de cuisson recommandée. Le poisson n'a pas besoin d'être tourné.
- Pour gratiner les ragoûts, utiliser uniquement des plats en métal ou en céramique de verre tels que Corningware®.
- Ne jamais utiliser de plats en verre résistant à la chaleur (Pyrex®); ils ne tolèrent pas les températures élevées.
- Pour les durées de cuisson au gril, consulter le Tableau de cuisson de la viande/volaille.

Convection Broil (Cuisson Gril Convection)



Le mode **Convection Broil** est similaire au mode Cuisson Gril. Ce mode allie la chaleur intense diffusée par l'élément supérieur à l'air chaud qui circule sous l'action d'un ventilateur à convection.

Le mode Convection Broil (Cuisson Gril Convection) est bien adapté à la cuisson des coupes de viande épaisses et tendres, de la volaille et du poisson. Le mode Convection Broil n'est pas recommandé pour le brunissage des pains, des ragoûts et autres aliments. Utiliser toujours le mode Convection Broil avec la porte fermée.

Outre les avantages de la cuisson au gril normale, le mode Convection Broil est plus rapide.

Conseils :

- Préchauffer le four pendant 3 à 4 minutes. Ne pas préchauffer le four au-delà de 5 minutes.
- Le steak et les côtelettes doivent avoir au moins 1 1/2 po (3,8 cm) d'épaisseur.
- Pour le rôtissage, utiliser un plat à rôtir et un gril-lèche-frite, ou un plat profond doté d'une plaque-gril en métal.
- Ne pas recouvrir le gril-lèche-frite de papier aluminium. Il a été conçu pour faciliter l'écoulement des matières grasses hors de la surface de cuisson et pour éviter le dégagement de fumée et les éclaboussures.
- Tourner les viandes une fois pendant la durée de cuisson. Le poisson n'a pas besoin d'être tourné.
- Ne jamais utiliser de plats en verre résistant à la chaleur (Pyrex®); ils ne tolèrent pas les températures élevées.
- Pour les durées de cuisson correspondant au mode Convection Broil, consulter le Tableau de cuisson de la viande/volaille.

Proof (Apprêt)



En mode **Proof**, le four utilise l'élément inférieur pour faire lever la pâte à pain ou d'autres types de pâtes à base de levure en les maintenant à basse température.

- Aucun préchauffage n'est nécessaire.
- L'apprêt consiste à faire lever la pâte à base de levure.
- La plage de température du mode Proof est comprise entre 85 °F et 125 °F (29,4 °C à 51,6 °C).
- La température par défaut du mode Proof est de 100 °F (38 °C).
- Couvrir lâchement le saladier ou l'ustensile de cuisson et utiliser une grille adaptée à la taille de celui-ci.
- Laisser la porte du four fermée et utiliser l'éclairage du four pour vérifier la levée de la pâte.

Warm (Maintien au Chaud)



En mode **Warm**, les éléments supérieur et inférieur maintiennent la température à un faible niveau dans la cavité du four pour conserver les aliments à la température adéquate jusqu'au service.

- Utiliser le mode Warm (Maintien au Chaud) pour conserver les aliments cuits au chaud jusqu'au moment de servir, soit pendant environ une heure.
 - Les températures de maintien au chaud sont 150 °F à 225 °F (65,6 °C et 107,2 °C).
 - La température par défaut du mode Warm est de 170° F (77 °C).
 - Protéger les aliments devant rester humides avec un couvercle ou du papier aluminium.
-

▲ ATTENTION

Lors de l'utilisation du mode Warm (Maintien au Chaud), suivre les recommandations suivantes :

- Ne pas utiliser le mode Warm pour faire chauffer des aliments froids.
 - S'assurer de maintenir les aliments à la température adéquate. L'USDA recommande de maintenir les aliments chauds à 140 °F (60 °C) ou plus.
 - NE PAS maintenir des aliments au chaud pendant plus d'une heure.
-

Tirer le meilleur parti de votre tiroir-réchaud

À propos de l'appareil

Le tiroir-réchaud permet de conserver les aliments cuits et chauds à une température de service. Toujours utiliser des aliments chauds au départ. NE PAS utiliser pour réchauffer des aliments froids, les biscuits salés, croustilles ou céréales sèches, pain, biscuits ou plats ou assiettes.

Le tiroir-réchaud est doté d'un mécanisme d'ouverture « Push-to-Open ». Il suffit d'exercer une légère pression sur la face avant du tiroir pour l'ouvrir.

Conseils généraux

Consulter le tableau relatif au tiroir-réchaud pour connaître les réglages recommandés.

- Pour maintenir au chaud des types d'aliments différents, régler la température pour l'aliment nécessitant la température de maintien au chaud la plus élevée.
- Disposer les aliments nécessitant la température la plus élevée vers les côtés du tiroir et ceux nécessitant moins de chaleur au centre.
- Les aliments doivent être déjà à la température de service (au-dessus de 140 °F ou 60 °C) avant d'être placés dans le tiroir-réchaud. NE PAS utiliser pour réchauffer des aliments froids sauf pour redonner leur croquant aux biscuits salés, aux croustilles ou aux céréales sèches ou pour faire chauffer des plats ou des assiettes.
- Faire chauffer le plat à servir vide tout en préchauffant le tiroir si vous le désirez.
- Placer les aliments cuits et chauds dans le tiroir-réchaud dans le plat de cuisson initial ou dans un plat de service résistant à la chaleur.
- Vous pouvez recouvrir les aliments de papier aluminium; toutefois, NE PAS recouvrir le tiroir-réchaud de papier aluminium.
- Ne pas utiliser le tiroir-réchaud comme tiroir de rangement.

Utilisation de l'appareil

▲ ATTENTION

Pour des raisons de sécurité alimentaire, ne pas laisser les aliments à l'intérieur du four pendant plus d'une heure avant ou après la cuisson.

IMPORTANT :

Les contenants en plastique ou le film étirable peuvent se fondre lorsqu'ils sont en contact direct avec le tiroir ou un ustensile chaud. S'ils se fondent dans le tiroir, ils peuvent être impossibles à nettoyer.

Remarque :

Utiliser uniquement des plats résistants à la chaleur.

Préchauffer le tiroir-réchaud

Préchauffer le tiroir-réchaud avant de maintenir des aliments au chaud. Pour de meilleurs résultats, préchauffer le tiroir-réchaud en respectant les durées de préchauffage suivantes :

Réglage	Durée de préchauffage
BAS	10 minutes
MOY	15 minutes
ÉLEVÉ	20 minutes

Préchauffer les aliments

1. Préchauffer le tiroir-réchaud.
2. Placer les aliments cuits et chauds dans le tiroir-réchaud.

Vous pouvez laisser les aliments dans le plat de préparation initial. Autre possibilité : transférer les aliments dans un plat de service résistant à la chaleur avant de les mettre dans le tiroir-réchaud.

Vous pouvez recouvrir les aliments de papier aluminium ou utiliser un couvercle.

Préchauffer assiettes et bols

Utiliser uniquement des plats résistants à la chaleur. Disposer les assiettes ou les plats vides dans un tiroir-réchaud froid. Inutile de préchauffer.

Sélectionner **LOW** (Bas).

Redonner leur croquant aux articles rassis

Disposer les aliments dans des plats ou ustensiles à rebords peu élevés.

1. Appuyer sur **LOW** (Bas).
2. Préchauffer le tiroir-réchaud pendant 10 minutes, puis y mettre le plat.
3. Régler la minuterie de maintien au chaud.
4. Vérifier si les aliments sont croustillants au bout de 45 minutes. Faire chauffer autant que nécessaire.

Recommandations relatives à la température

Aliments/Batterie de cuisine	Réglage	Couvrir le plat
Bacon	ÉLEVÉ	Non
Bœuf, à point et bien cuit	MOY	Non
Bœuf, saignant	BAS	Non
Pain, petits pains	MOY	Non
Pain, petits pains au lait, brioches	MOY	Oui
Biscotines	MOY	Oui
Ragoûts	MOY	Oui
Œufs	MOY	Oui
Poisson, fruits de mer	MOY	Oui
Aliments frits	ÉLEVÉ	Non
Sauce au jus de viande, sauces à la crème	MOY	Oui
Jambon	MOY	Oui
Pancakes (crêpes américaines)	ÉLEVÉ	Oui
Tartes, un fond	MOY	Oui
Tartes, deux fonds	MOY	Non
Pizza	ÉLEVÉ	Non
Porc	MOY	Oui
Pommes de terre, au four	ÉLEVÉ	Oui
Pommes de terre, en purée	MOY	Oui
Volaille, rôtie	MOY	Oui
Légumes	MOY	Oui
Assiettes	BAS	Non
Assiette repas	MOY	Oui

Nettoyage et entretien

Soins d'entretien et nettoyage

Nettoyage de la table de cuisson

⚠ ATTENTION

N'utiliser aucun produit nettoyant sur une surface en verre chaude. Les fumées qui se dégagent peuvent présenter un danger pour la santé. Les produits nettoyants chauffés peuvent attaquer et endommager la surface. Utiliser uniquement une raclette munie d'une lame de rasoir.

Précautions à prendre pour assurer la longévité et la bonne apparence de votre table de cuisson

- Un entretien régulier et quotidien à l'aide du produit nettoyant pour table de cuisson en vitrocéramique vous permettra de protéger la surface de votre table de cuisson et facilitera le nettoyage des salissures alimentaires et des taches d'eau.
- La surface de cuisson en vitrocéramique est fabriquée à partir d'un matériau durable résistant aux chocs mais qui n'est pas incassable si une casserole ou tout autre objet tombe dessus.
- Ne jamais faire cuire des aliments directement sur le verre.
- Éviter d'utiliser un anneau de support pour wok, un trépied ou une autre plaque de support en métal sur la surface en verre.
- Ne pas utiliser la surface en verre comme planche à découper.
- Éviter de faire glisser les ustensiles de cuisine sur la surface de cuisson; ils risquent de rayer le verre.
- Ne pas placer de casseroles mouillées sur la surface de verre.

Entretien avant utilisation

L'entretien est facile si des mesures préventives sont prises. Par exemple, appliquer tous les jours une petite quantité de produit nettoyant pour table de cuisson en vitrocéramique (livré avec la cuisinière). Le produit nettoyant dépose un film protecteur qui facilite le nettoyage des taches d'eau ou des projections d'aliments. La température de la table de cuisson réduit les qualités protectrices de ce produit. Il convient de passer à nouveau le nettoyant avant chaque utilisation. Utiliser un chiffon propre et appliquer le produit nettoyant pour table de cuisson en vitrocéramique avant chaque utilisation pour

enlever la poussière ou les traces de métal pouvant se trouver sur la surface parallèle au plan de travail entre deux utilisations.

Techniques de nettoyage quotidien

1. Nettoyer la surface lorsqu'elle a complètement refroidi à l'aide du produit nettoyant pour table de cuisson en vitrocéramique.
Exceptions : Enlever immédiatement les déversements de sucre sec, de sirop de sucre, de produits à base de tomates et de lait à l'aide du grattoir muni d'une lame de rasoir (Voir le Tableau d'entretien de la table de cuisson, page suivante).
2. Essuyer les projections à l'aide d'une éponge humide propre ou du papier essuie-tout. Rincer et sécher. Éliminer les traces pouvant persister avec du vinaigre blanc; rincer.
3. Appliquer une petite quantité de produit nettoyant pour table de cuisson en vitrocéramique. Une fois sec, polir la surface avec du papier essuie-tout ou un chiffon propre.

Utilisation du grattoir muni d'une lame de rasoir

Utiliser le grattoir pour éliminer les aliments séchés ou collés. Tenir le grattoir à un angle de 30°. Déplacer le grattoir dans un mouvement de va-et-vient jusqu'à élimination de tout dépôt de la table de cuisson. Pour terminer, essuyer la surface avec du papier essuie-tout ou une éponge humide et propre. Éliminer les traces pouvant persister en appliquant du vinaigre blanc et rincer.

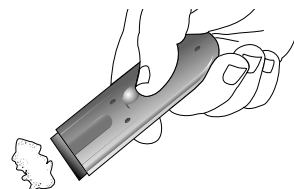


Figure 1: Grattoir

AVERTISSEMENT

RISQUE DE BLESSURES

La lame du grattoir est extrêmement tranchante. Risque de coupures. Protéger la lame quand elle ne sert pas. Remplacer la lame immédiatement si l'on trouve des imperfections. Observer les instructions du fabricant.

Nettoyage des boutons de commande

1. Tirer et enlever les deux boutons. Essuyer les boutons de commande avec un chiffon imbibé d'eau savonneuse chaude, rincer et sécher. Ne pas faire tremper les boutons de commande.
2. Pour les remettre en place, il suffit de les enfoncer directement sur l'axe.

Ne pas utiliser les produits de nettoyage suivants

- Les nettoyants pour verre qui contiennent de l'ammoniaque ou du chlore (eau de Javel). Ces ingrédients peuvent décaper ou tacher la table de cuisson de manière permanente.
- Nettoyants caustiques
- Les produits nettoyants pour four tels Easy Off® peuvent décaper la surface de la table de cuisson.
- Nettoyants abrasifs
- Les tampons à récurer en métal et les éponge à récurage tels Scotch Brite® peuvent rayer et/ou laisser des marques métalliques.
- Les tampons à récurer savonneux tels SOS® peuvent rayer la surface.
- Les produits nettoyants poudreux contenant des composés de chlore peuvent tacher la table de cuisson de manière permanente.
- Les produits nettoyants inflammables, tel qu'un allume-feu liquide ou du WD-40.

Tableau d'entretien de la table de cuisson

Type de salissure	Solution possible
Renversements de sucre sec, de sirop de sucre, de lait ou de tomate. Film étirable ou papier aluminium fondu. Il convient d'éliminer immédiatement ces matières. Éliminer ces types de renversements uniquement à l'aide du grattoir muni d'une lame de rasoir tandis que la surface de la table de cuisson est encore chaude. Veiller à ce que la lame de rasoir du grattoir soit neuve et bien acérée.	Enlever la casserole et éteindre l'élément. Se munir d'un gant de cuisine et tenir le grattoir à un angle de 30°, en prenant soin de ne pas entailler ni rayer le verre. Pousser les salissures en dehors de l'aire chauffée. Une fois la surface refroidie, enlever les résidus et appliquer le nettoyant pour table de cuisson en vitrocéramique.
Salissures alimentaires calcinées, traînées sombres et taches	Ramollir ces matières en les recouvrant d'une éponge ou d'une feuille de papier essuie-tout humide et laisser agir pendant environ 30 minutes. Utiliser une lavette en plastique et le produit nettoyant pour table de cuisson en vitrocéramique ou utiliser le grattoir muni d'une lame de rasoir. Rincer et sécher.
Projections graisseuses	Utiliser une éponge ou un chiffon savonneux pour éliminer la graisse; rincer soigneusement et sécher. Appliquer le produit nettoyant pour table de cuisson en vitrocéramique.

Type de salissure	Solution possible
Marques métalliques : taches iridescentes	Les casseroles dont le fond sont en aluminium, en cuivre ou en acier inoxydable peuvent laisser des marques sur la surface. Une fois la surface refroidie, traiter immédiatement avec le produit nettoyant pour table de cuisson en vitrocéramique. Si vous ne parvenez pas à éliminer les marques, essayer un produit moyennement abrasif (Bon Ami®, Soft Scrub® sans eau de Javel ou Bar Keeper's Friend®) que vous appliquerez à l'aide d'une feuille de papier essuie-tout mouillée. Rincer et appliquer de nouveau la crème nettoyante. Si l'on n'élimine pas les marques métalliques avant le prochain chauffage, il sera très difficile de les nettoyer par la suite.
Taches d'eau dure - Des liquides de cuisson chauds ont coulé sur la surface	Les minéraux présents dans certaines eaux peuvent se transmettre sur la surface et faire apparaître des taches. Utiliser du vinaigre blanc non dilué, rincer et sécher. Remettre la surface en état en appliquant le produit nettoyant pour table de cuisson en vitrocéramique.
Rayures de surface - On doit s'attendre à voir apparaître de petites rayures sur la surface en verre; celles-ci n'affectent aucunement les résultats de cuisson. À la longue, ces rayures deviendront lisses et seront bien moins perceptibles au fur et à mesure que vous utilisez le produit nettoyant pour table de cuisson en vitrocéramique au quotidien.	Appliquer la crème nettoyante avant l'utilisation pour éliminer les grains qui ressemblent à des grains de sable et les particules, tels le sel et l'assaisonnement. Ce problème peut être surmonté en utilisant des casseroles à fond lisse, propre et sec avant toute utilisation. Utiliser quotidiennement le produit nettoyant pour table de cuisson en vitrocéramique recommandé sur votre table de cuisson.

Nettoyage du four

▲ AVERTISSEMENT

Les enfants ne doivent pas être laissés seuls ou sans surveillance à un endroit où des appareils électroménagers sont utilisés. Durant le cycle de nettoyage automatique, certaines parties de l'appareil peuvent poser un danger aux personnes qui n'ont pas les compétences des adultes concernant l'usage des appareils électroménagers et ne peuvent pas réagir comme le ferait un adulte devant des conditions potentiellement dangereuses.

De faibles quantités de monoxyde de carbone peuvent se dégager lors de l'élimination des salissures pendant le cycle d'autonettoyage. L'isolant en fibre de verre peut émettre de très faibles quantités de formaldéhyde pendant les quelques premiers cycles autonettoyants. Pour minimiser l'exposition à ces substances, assurer une bonne ventilation en laissant une fenêtre ouverte, ou utiliser un ventilateur ou une hotte d'aération.

Self Clean (Nettoyage Auto)


Lors de l'autonettoyage, le four est chauffé à une température très élevée. Cette température permet de calciner les salissures.

AVIS :

- Essuyer les déversements importants avant de procéder à l'autonettoyage du four.
- Ne pas nettoyer les pièces ou accessoires dans le four autonettoyant. Enlever les plats de cuisson et les grilles du four avant d'exécuter le mode Self Clean (Nettoyage Auto).

Pour régler le mode Self Clean (Nettoyage Auto) :

1. Retirer tous les accessoires et toutes les grilles du four.
2. Si un mode de cuisson est activé, appuyer sur **Oven Clear/Off** (Four Effacer/Désactiver) pour mettre fin au mode en fonctionnement.
3. Appuyer sur la touche à effleurement **Self Clean** située sous l'écran.

L'icône Nettoyage Auto  apparaît sur l'écran. La minuterie de Nettoyage Auto affiche 4 heures (4:00) par défaut et clignote pour indiquer que cette valeur peut être acceptée ou modifiée.

Pour accepter la durée d'autonettoyage par défaut de 4 heures (4:00), appuyer sur **Enter**.


Pour saisir un nombre d'heures différent, utiliser le pavé numérique. La valeur saisie doit être comprise entre 2 (2:00) et 4 (4:00) heures. Si vous entrez une

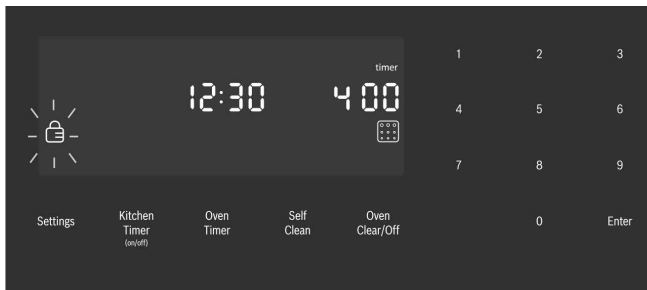
valeur inférieure à 2 heures ou supérieure à 4 heures, une tonalité d'erreur retentit et un message s'affiche. Utiliser un réglage plus long pour un four très sale.



4. Lorsque la durée d'autonettoyage désirée est affichée, appuyer sur **Enter**.

La porte du four se verrouille avant le début du cycle d'autonettoyage.

Le symbole de verrou de porte  est affiché et clignote pendant le verrouillage de la porte. Une fois la porte verrouillée, le symbole de verrou de porte reste allumé (il ne clignote plus).



Le symbole de verrou de porte reste allumé tant que le mode Nettoyage Auto n'est pas terminé.

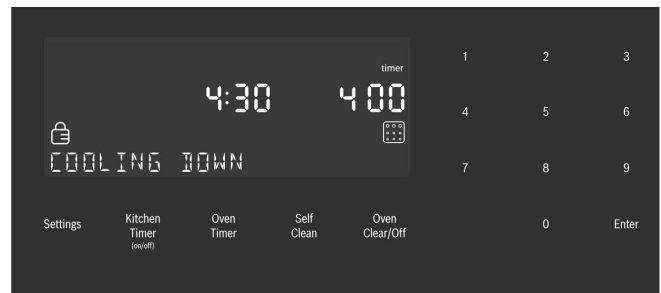
Remarque : La porte reste fermée jusqu'à ce que le four ait refroidi une fois l'autonettoyage terminé. La porte peut être ouverte à nouveau uniquement lorsque « NETTOYAGE AUTO » disparaît de l'écran.

5. Self Clean démarre et la minuterie de Nettoyage Auto du four lance le compte à rebours.

Pour annuler le mode Self Clean

Appuyer sur la touche à effleurement **Oven Clear/Off** pour annuler le mode Nettoyage Auto.

Par sécurité, lorsque la minuterie de Nettoyage Auto s'arrête, l'unité doit refroidir avant que l'on ne puisse ouvrir la porte. Pendant ce délai, le message « REFROIDISSEMENT EN COURS » est affiché.



6. Lorsque la période de refroidissement est terminée, le message « NETTOYAGE AUTO TERMINÉ » s'affiche. Continuer à prendre des précautions lors de l'ouverture de la porte du four.



7. Appuyer sur **Oven Clear/Off** pour effacer les données affichées à l'écran une fois l'autonettoyage terminé.
8. Une fois le four refroidi et la porte déverrouillée, essayer les cendres résiduelles à l'intérieur du four à l'aide d'un chiffon humide.

Remarque :

- L'éclairage du four ne peut pas être allumé pendant le cycle d'autonettoyage.
- L'émail spécial résistant à la chaleur spécial et les éléments polis du four peuvent présenter une décoloration au fil du temps. Ceci est normal et ne nuit en rien au fonctionnement du four. Ne pas utiliser des tampons à récurer ou des produits de nettoyage abrasifs pour tenter d'éliminer les décolorations.

Éviter ces produits nettoyants

Ne pas utiliser les produits nettoyants commerciaux tels que Easy Off®. Ils risquent d'abîmer le fini ou les pièces du four.

Le chlore ou les composés chlorés qui entrent dans la composition de certains produits nettoyants sont corrosifs pour l'acier inoxydable. Vérifier les ingrédients figurant sur l'étiquette.

Ne jamais utiliser des tampons à récurer ou des produits de nettoyage abrasifs.

Guide de nettoyage du four

Pièce	Recommandations
Grille plate	<p>Laver avec de l'eau savonneuse chaude. Rincer à fond et sécher ou frotter doucement avec de la poudre à récurer ou des tampons savonneux selon les instructions. NE PAS nettoyer la grille dans le four autonettoyant.</p> <p>Si vous nettoyez les grilles plates dans le four pendant la fonction d'autonettoyage, elle perdront leur lustre et risquent de mal coulisser sur les rainures. Si cela se produit, mouiller les bords de la grille d'une petite quantité d'huile végétale. Ensuite, enlever l'excédent.</p>
Grille télescopique	<p>Laver avec de l'eau savonneuse. Rincer à fond et sécher ou frotter doucement avec de la poudre à récurer ou des tampons savonneux selon les instructions. Éviter de mettre de la poudre à récurer dans les glissières télescopiques. Il peut s'avérer nécessaire de lubrifier à nouveau les glissières. Utiliser uniquement des lubrifiants haute température de qualité alimentaire pour lubrifier les glissières.</p> <p>NE PAS nettoyer la grille dans le four autonettoyant. NE PAS laisser la grille dans le four pendant le déroulement du cycle autonettoyant.</p> <p>Si vous nettoyez la grille télescopique dans le four pendant le déroulement du mode autonettoyant, elle perdra sa finition brillante et coulissera moins bien.</p>
Joint en fibre de verre	NE PAS NETTOYER LE JOINT.
Verre	Laver avec de l'eau et du savon ou un produit pour vitres. Utiliser les produits d'entretien Fantastik® ou Formula 409® pour enlever les projections de graisse et les taches rebelles.
Surfaces peintes	Nettoyer avec de l'eau savonneuse chaude ou appliquer du Fantastik® ou du Formula 409® sur une éponge propre ou du papier essuie-tout et essuyer. Éviter les agents nettoyants à base de poudre, les tampons métalliques et les produits à nettoyer les fours.

Pièce	Recommandations
Surfaces en porcelaine	Essuyer immédiatement les déversements acides tels que jus de fruits, lait et tomates avec un chiffon sec. Ne pas utiliser d'éponge ou de chiffon humide sur la porcelaine chaude. Dès que la surface est froide, nettoyer avec de l'eau chaude savonneuse ou appliquer du Bon-Ami® ou du Soft Scrub® sur une éponge humide. Rincer et sécher. Pour les taches rebelles, utiliser des tampons savonneux. Il est normal que de fines lignes apparaissent sur la porcelaine au fil du temps à cause de la chaleur et des salissures.
Surfaces en acier inoxydable noir	Pour les surfaces en acier inoxydable noir et anti-empreintes, utilisez un linge doux et sec. Pour la saleté tenace, utilisez de l'eau tiède diluée avec du savon doux, non abrasif. N'utilisez jamais de produit à polir pour acier inoxydable.
Surfaces en acier inoxydable	<p>Toujours essuyer ou frotter dans le sens du grain. Nettoyer avec une éponge savonneuse puis rincer et sécher, ou essuyer avec du Fantastik® ou du Formula 409® vaporisé sur du papier essuie-tout. Protéger et polir en utilisant du Stainless Steel Magic® et un chiffon doux. Éliminer les traces d'eau avec un chiffon humide imprégné de vinaigre blanc.</p> <p>Ne pas utiliser de produits abrasifs tels les tampons en laine d'acier, Softscrub®, ou BonAmi®.</p> <p>Le chlore contenu dans certains produits nettoyants ou ses composés sont corrosifs pour l'acier inoxydable. Vérifier les ingrédients sur l'étiquette avant toute utilisation.</p>

Nettoyage du tiroir-réchaud

Pièce	Recommandations
Intérieur du tiroir (acier inoxydable poli)	Utiliser un détergent vaisselle. Laver, rincer et sécher. Pour les taches d'eau dure ou le tartre, utiliser du vinaigre. Appliquer à l'aide d'une éponge ou d'un chiffon, rincer et sécher. Le chlore ou les composés chlorés qui entrent dans la composition de certains produits nettoyants sont corrosifs pour l'acier inoxydable. Vérifier les ingrédients figurant sur l'étiquette.
Surfaces peintes	Utiliser de l'eau savonneuse chaude ou des nettoyants doux tel Fantastik® ou Formula 409®. Laver, bien rincer et sécher. Éviter d'utiliser des agents nettoyants abrasifs, les tampons métalliques à récurer et les produits à nettoyer les fours.
Châssis extérieur du tiroir (acier inoxydable brossé)	Toujours essuyer ou frotter dans le sens du grain. Nettoyer avec une éponge savonneuse puis rincer et sécher, ou essuyer avec du Fantastik® ou du Formula 409® vaporisé sur du papier essuie-tout. Protéger et polir en utilisant du Stainless Steel Magic® et un chiffon doux. Éliminer les traces d'eau avec un chiffon humecté de vinaigre blanc. Utiliser Bar Keeper's Friend® pour éliminer la décoloration due à la chaleur. Le chlore ou les composés chlorés qui entrent dans la composition de certains produits nettoyants sont corrosifs pour l'acier inoxydable. Vérifier les ingrédients figurant sur l'étiquette.

Entretien

Entretien de la table de cuisson

Modèles de table de cuisson en vitrocéramique

- Un entretien régulier et quotidien à l'aide du produit nettoyant pour table de cuisson en vitrocéramique vous permettra de protéger la surface de votre table de cuisson et facilitera le nettoyage des salissures alimentaires et des taches d'eau.
- La surface de cuisson en vitrocéramique est fabriquée à partir d'un matériau durable résistant aux chocs mais qui n'est pas incassable si une casserole ou tout autre objet tombe dessus.
- Éviter de placer un anneau de support pour wok, un trépied ou une autre plaque de support en métal sur la surface en verre.


Entretien du four

Remplacement de l'ampoule du four

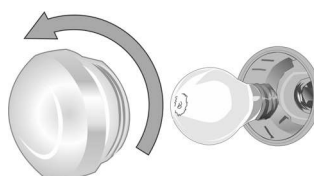
⚠ AVERTISSEMENT

- Avant de remplacer une ou plusieurs ampoules, s'assurer que l'appareil et les ampoules sont froids et veiller à avoir coupé l'alimentation électrique de l'appareil. Le non-respect de cette précaution pourrait entraîner un choc électrique ou des brûlures.
- Les lentilles doivent être en place lors de l'utilisation de l'appareil.
- Elles permettent d'éviter que les ampoules ne se cassent.
- Les lentilles sont en verre. Manipuler avec précautions pour éviter les cassures. Les brisures de verre peuvent blesser quelqu'un.
- La douille d'éclairage est sous tension lorsque la porte est ouverte.

Spécifications des ampoules :

Description de l'ampoule	Illustration
40 watts, ampoule pour appareil électroménager, culot Edison standard	

Pour changer l'ampoule :



1. Couper l'alimentation du four au tableau de distribution principal (boîte à fusibles ou boîtier de disjoncteurs).
2. Retirer le couvercle en verre en le dévissant. Faire pivoter le verre dans le sens contraire des aiguilles d'une montre et le retirer.
3. Enlever l'ampoule. L'ampoule se dévisse dans le sens contraire des aiguilles d'une montre.
4. Saisir l'ampoule neuve avec un chiffon propre et sec pour éviter que les graisses de l'épiderme ne se déposent sur le verre ce qui pourrait se traduire par la défaillance prématurée de l'ampoule. Mettre en place l'ampoule en la vissant dans le sens des aiguilles d'une montre.
5. Revisser le couvercle en verre pour le mettre en place.
6. Rétablir le courant au tableau d'alimentation principal (boîte à fusibles ou boîtier de disjoncteurs).

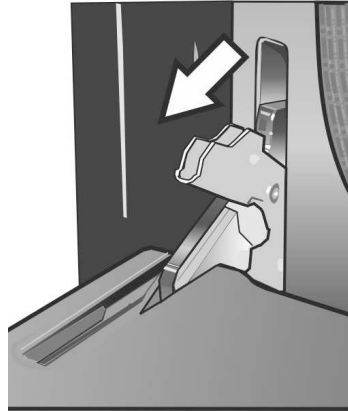
Démontage de la porte du four

⚠ AVERTISSEMENT

Lors du démontage de la porte du four :

- Avant de démonter la porte, s'assurer que le four est froid et que le courant qui l'alimente a été coupé. Le non-respect de cette précaution pourrait entraîner un choc électrique ou des brûlures.
- La porte du four est lourde et certaines parties sont fragiles. Utiliser les deux mains pour l'enlever. Le devant de la porte est en verre. À manipuler avec précaution pour éviter les cassures.
- Saisir uniquement les côtés de la porte. Ne pas saisir la poignée, car elle peut pivoter dans la main et causer des dommages ou des blessures.
- Si la porte du four n'est pas saisie fermement et correctement, il y a un risque de lésion corporelle ou de dommage au produit.
- Pour éviter toute blessure causée par l'enclenchement soudain du support de charnière, s'assurer que les deux leviers sont bien enclenchés avant d'enlever la porte. En outre, ne pas forcer la porte pour l'ouvrir ou la fermer car la charnière risque de s'abîmer et vous pourriez vous blesser.
- Après avoir démonté la porte, ne pas la poser sur des objets acérés ou pointus car ceux-ci risquent de briser la vitre. Disposer la porte sur une surface plane et lisse afin qu'elle ne risque pas de tomber.

Pour démonter la porte du four :



Pour prévenir les blessures ou les dommages, veiller à lire l'AVERTISSEMENT ci-dessus avant de tenter de démonter la porte du four.

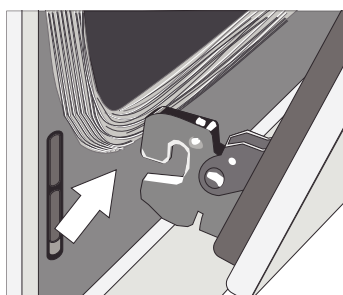
1. Ouvrir complètement la porte du four jusqu'à ce qu'elle soit à l'horizontale.
2. Basculer les leviers des charnières vers soi.

Remarque : Il est parfois nécessaire d'utiliser un outil, tel un tournevis, pour forcer délicatement la partie supérieure du levier pour dégager celui-ci du bâti. Faire attention à ne pas rayer le bâti.

3. Abaissez complètement les deux leviers de charnière de la porte comme le montre l'illustration. Les charnières gauche et droite de la porte peuvent être légèrement différentes mais fonctionnent de la même manière.

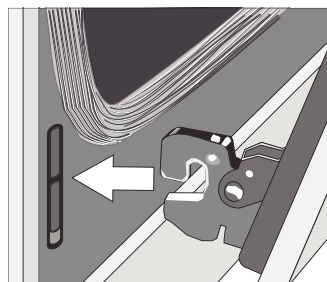


4. Fermer la porte du four jusqu'à ce qu'elle s'accroche sur les leviers d'arrêt des charnières, en bloquant les charnières à l'angle adéquat afin de pouvoir retirer la porte. La porte sera ouverte d'environ 7 po (17,8 cm) sur la partie supérieure. Ceci a pour effet d'éliminer la tension des ressorts exercée sur les charnières ce qui permet de soulever aisément la porte.

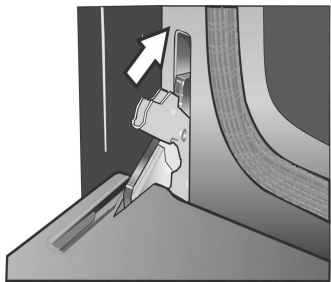


5. La porte est lourde. Saisir la porte fermement à deux mains en la prenant par les côtés. Ne pas saisir la porte par la poignée. Tout en conservant l'angle de la porte, soulever celle-ci vers le haut d'environ 3/4 po (1,9 cm) pour décrocher les charnières des logements, puis tirer la porte vers vous jusqu'à ce que les charnières se dégagent du bâti du four.
6. Placer la porte dans un endroit pratique et stable pour le nettoyage.

Pour remettre la porte du four en place :



1. Maintenir la porte fermement avec les deux mains en l'ayant saisie par les côtés et non pas par la poignée.
2. Incliner légèrement la porte vers vous jusqu'à ce qu'elle s'ouvre en sa partie supérieure d'environ 7 po (17,7 cm).
3. Faire glisser les charnières dans les logements aussi loin que possible, puis abaisser la porte tout droit vers le bas. L'angle que forme la porte devra éventuellement être légèrement ajusté pour permettre aux charnières de s'engager correctement et à la porte de se mettre en place lorsqu'elle est baissée. La porte doit s'abaisser d'environ 3/4 po (1,9 cm) et s'arrêter. Si cela n'est pas le cas, les charnières ne se sont pas correctement engagées et la porte pourrait tomber une fois libérée.
4. Une fois les deux charnières complètement engagées comme décrit à l'étape 3, ouvrez entièrement la porte avec précaution.



5. Poussez les leviers sur les deux charnières vers le haut jusqu'à ce qu'ils soient bloqués dans le logement en affleurement de la partie avant du bâti du four.
6. Fermer et ouvrir la porte lentement pour s'assurer qu'elle est correctement et solidement installée.

Entretien du tiroir-réchaud

Démontage du tiroir

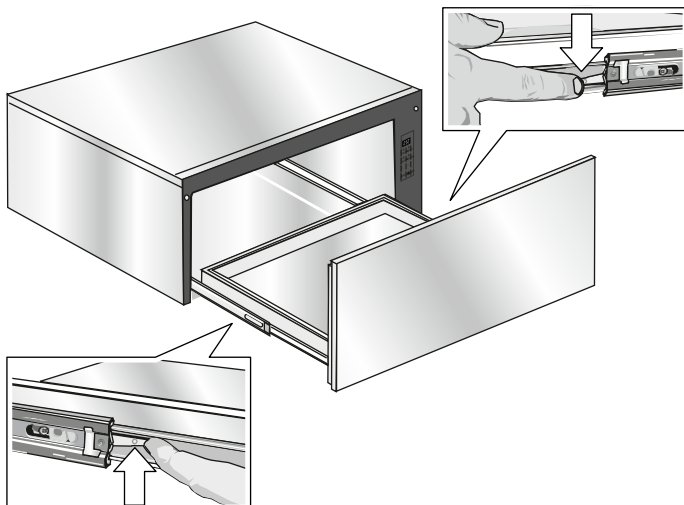
⚠ ATTENTION

Pour éviter le risque de brûlure, ne pas enlever le tiroir tant qu'il est chaud. S'assurer que le tiroir est vide avant de l'enlever.

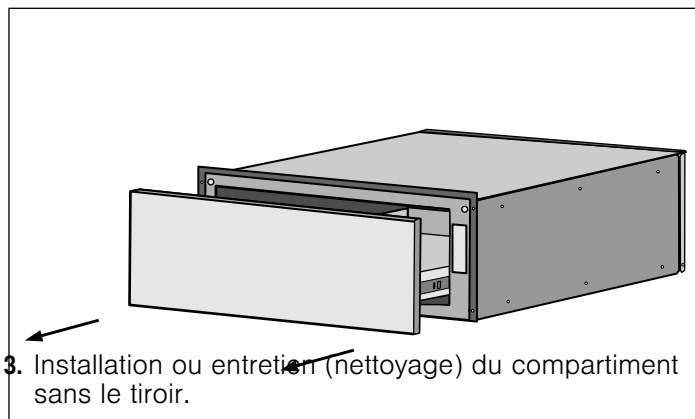
Retirer le tiroir de son compartiment

AVIS : Les instructions qui suivent sont celles recommandées par le fabricant pour retirer et installer le tiroir de façon à réduire le risque d'endommager le mécanisme PPO.

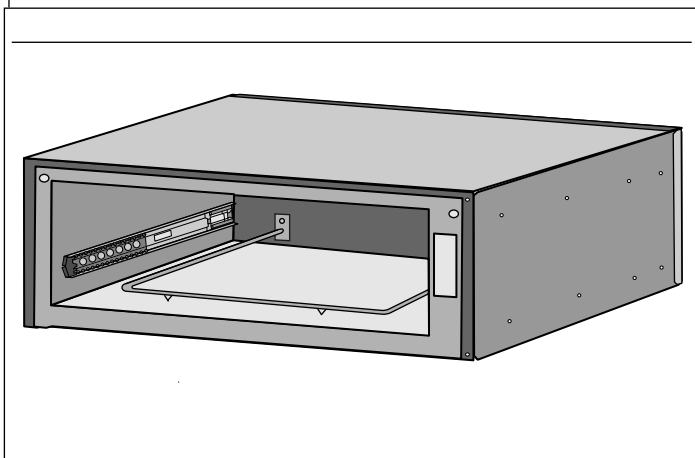
1. Retirez le tiroir de son compartiment.
 - Tirez sur le tiroir jusqu'à son ouverture complète.
 - Appuyez sur le levier de dégagement du tiroir à droite.
 - Relevez le levier de dégagement du tiroir à gauche.
 - Tirez fermement le tiroir du compartiment.
 - Rentez les glissières de l'armoire une fois le tiroir retiré.



2. En prenant les deux côtés du tiroir et en tirant droit et vers vous, retirez soigneusement le compartiment du tiroir. Cette étape pourrait nécessiter une force légère à modérée pour retirer complètement le tiroir.



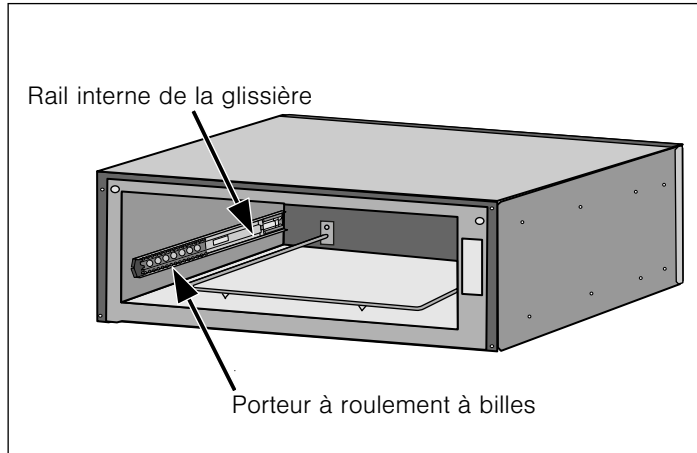
3. Installation ou entretien (nettoyage) du compartiment sans le tiroir.



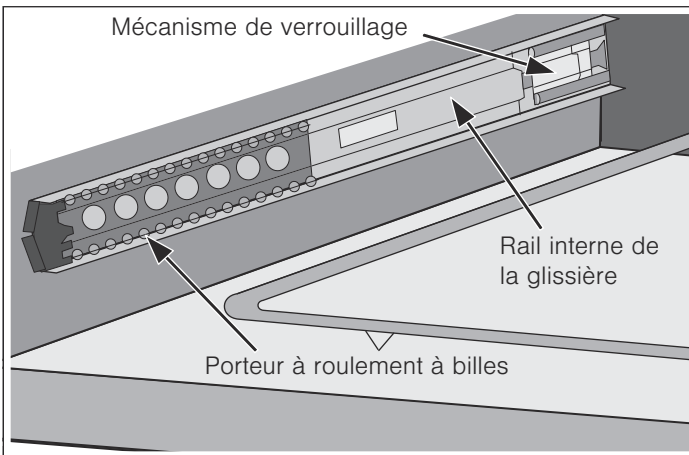
Installation du tiroir dans le compartiment

Les glissières fixées sur chaque côté du compartiment possèdent deux pièces mobiles : un rail intérieur et un porteur à roulement à billes qui doivent être placés de façon appropriée pour une installation et un alignement adéquats.

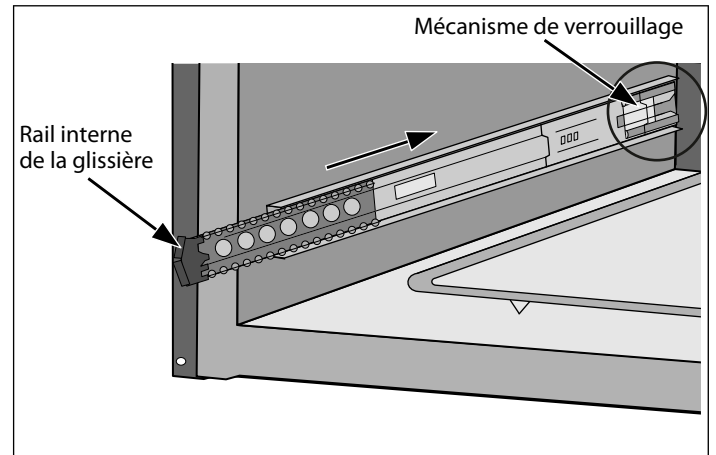
Un mécanisme de verrouillage se trouve également à l'arrière de chaque glissière.



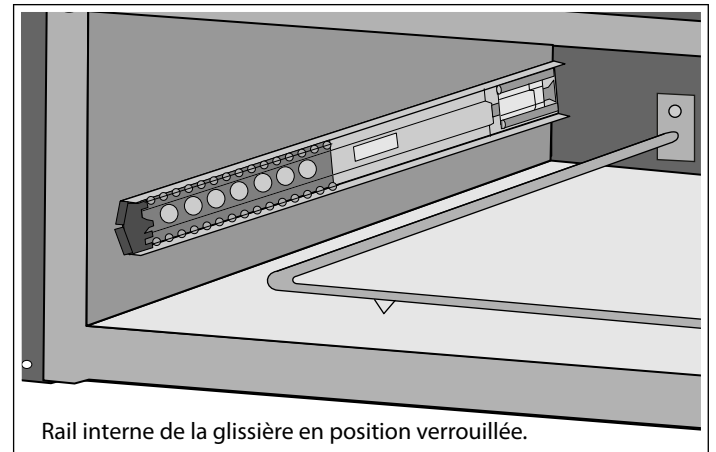
Remarque : Le compartiment du tiroir-réchaud devrait se trouver dans une position identique à celle de l'image ci-dessous avant de commencer l'installation. Le porteur à roulement à billes devrait être verrouillé en place dans le bout en plastique noir du rail intérieur situé sur la partie avant du rail intérieur.



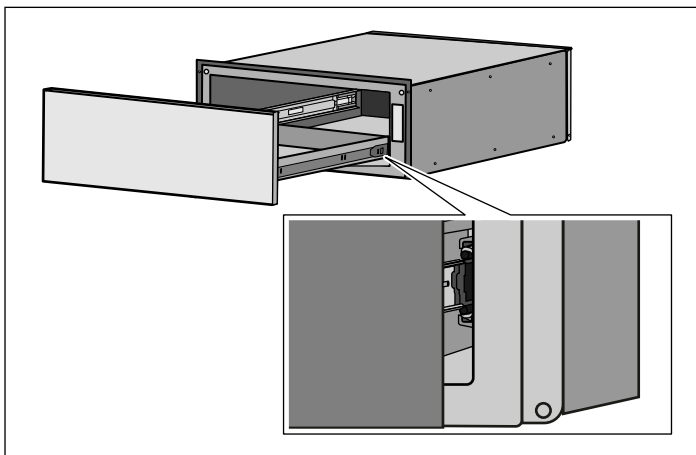
1. Sans que le tiroir ne soit en place, faites glisser le rail intérieur de la glissière jusqu'à la position de verrouillage du tiroir en poussant le rail intérieur de la glissière **vers l'arrière** jusqu'à ce qu'elle se verrouille en place.



Remarque : Une force modérée exercée sur le mécanisme de verrouillage du porteur à roulement à billes noir en plastique est requise pour placer la glissière dans la position de verrouillage du tiroir. Le tiroir est verrouillé lorsqu'il demeure en place et ne revient pas automatiquement en position ouverte.

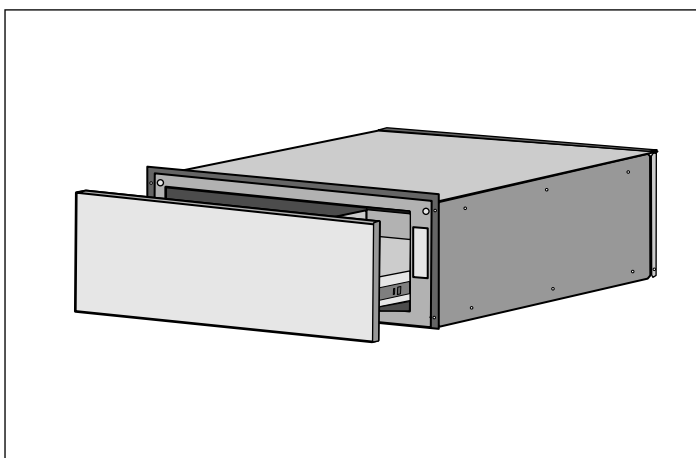


2. Placez l'assemblage du tiroir devant l'assemblage du compartiment et alignez le rail (bout en plastique du rail) avec l'assemblage du porteur à roulement à billes. Tout en gardant l'assemblage du tiroir droit et au niveau par rapport au compartiment, insérez doucement le tiroir dans l'assemblage du compartiment.



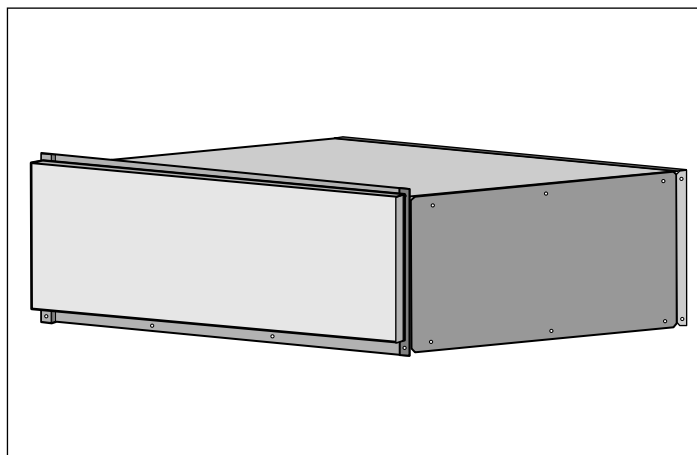
Remarques

- Une légère secousse de gauche à droite du tiroir pourrait être nécessaire pour assurer un alignement adéquat des roulements à billes.
 - **N'oubliez pas :** Vous tentez seulement d'aligner deux ensembles de roulements à billes à cette étape de l'installation. Si une force excessive doit être utilisée pour insérer le tiroir, retirez le tiroir et répétez la procédure d'installation.
3. Continuez d'insérer le tiroir, tout en gardant le tiroir droit et au niveau par rapport au compartiment, jusqu'à ce que sentiez une légère augmentation de la résistance à l'endroit approximatif indiqué ci-dessous.

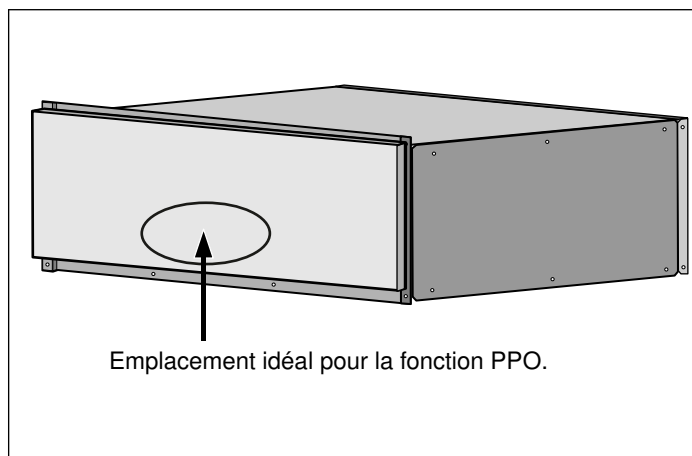


AVIS

- Dans cette position, une légère augmentation par petits coups de la force de fermeture à appliquer au tiroir est nécessaire pour assurer un alignement optimal et un fonctionnement approprié du tiroir.
- Vous devriez entendre un déclic lorsque le tiroir est fermé de façon appropriée, ce qui signifiera que le tiroir est également verrouillé en position fermée.



4. Vérifiez le fonctionnement du tiroir PPO en poussant sur le centre de la portion inférieure de l'avant du tiroir (l'endroit optimal pour la fonction).



Remarque : Il est à noter que l'endroit optimal recommandé pour l'ouverture du tiroir est la portion inférieure de l'avant du tiroir. Le tiroir fonctionne lorsqu'une pression est appliquée à n'importe quel endroit sur l'avant du tiroir, mais une pression accrue pourrait être nécessaire pour activer le mécanisme d'ouverture à certains endroits.

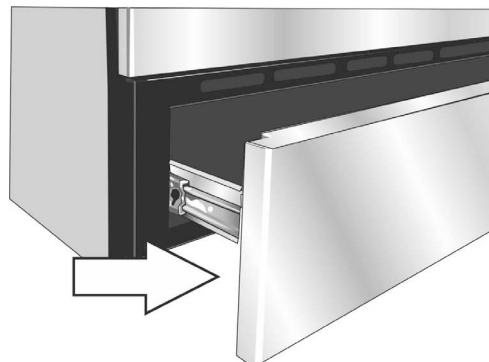
Dépannage

Comment obtenir des services de dépannage ou des pièces

Pour contacter un technicien de dépannage, consultez les coordonnées sur la couverture avant du manuel. Lorsque vous téléphonez, soyez prêt à fournir les informations imprimées sur la plaque signalétique de votre produit.

Plaque signalétique du produit

La plaque signalétique comporte le numéro de modèle et le numéro de série. Se reporter à la plaque signalétique de l'appareil électroménager pour faire une demande de dépannage. La plaque signalétique se trouve au dos de la façade du tiroir. Ouvrez le tiroir pour la voir.



Aide sans assistance

Dépannage de la table de cuisson

Essayez ces suggestions avant de contacter un service de dépannage pour éviter les frais de service.

Problème concernant la table de cuisson	Causes possibles et solutions suggérées
Un élément s'allume et s'éteint plus que de coutume	Le fond de la casserole est gauchi et n'entre pas complètement en contact avec la surface de chauffe. Le diamètre du fond de la casserole est trop petit pour la taille de l'élément. Les ingrédients de la casserole ont bouilli jusqu'à évaporation complète. Le matériau de la casserole est un mauvais conducteur de chaleur; la chaleur se propage trop lentement.
Une légère odeur est perceptible lorsqu'un élément est allumé	Ceci est normal dans la mesure où la table de cuisson est neuve et disparaîtra au bout de quelques utilisations.
Les commandes de la table de cuisson ne s'allument pas	Le courant qui alimente la cuisinière est coupé. Vérifier la source d'alimentation pour voir si un fusible s'est grillé ou si le disjoncteur a sauté. Vérifier le cordon d'alimentation pour voir s'il est bien branché dans la prise de courant. Le panneau de la table de cuisson est verrouillé. Appuyer sur la touche PANEL LOCK (Verrou Panneau) et maintenir cette touche enfoncée jusqu'à ce que l'indicateur lumineux s'éteigne.
Le grattoir ne fonctionne pas adéquatement.	La lame du grattoir est émoussée. Le grattoir est livré avec des lames en acier inoxydable à lame simple. Remplacer la lame par une lame simple standard.
Les résultats de cuisson ne sont pas satisfaisants.	La table de cuisson n'est pas de niveau. Ajuster les pieds de mise à niveau sous la cuisinière. La casserole n'est pas de la taille ou du type approprié. Voir le Guide de sélection des ustensiles de cuisson.

Problème concernant la table de cuisson	Causes possibles et solutions suggérées
Un élément s'allume avec le réglage le plus élevé	Ceci est normal. Le limiteur de température fonctionne automatiquement pour protéger la surface en vitrocéramique contre les dégâts causés par les températures extrêmement élevées.
L'eau met trop de temps pour bouillir	La durée de mise à ébullition varie considérablement en fonction des conditions ambiantes. Voir « Faire bouillir de l'eau » dans le présent manuel pour des conseils sur la façon de réduire le temps de mise à ébullition.

Dépannage du four

Essayez ces suggestions avant de contacter un service de dépannage pour éviter les frais de service.

Problème concernant le four	Causes possibles et solutions suggérées
Le mode du four ou la température sélectionnés ou les chiffres sélectionnés ne s'affichent pas à l'écran	Revoir les instructions figurant dans le manuel pour le réglage de l'horloge, de la minuterie ou du mode Nettoyage Auto.
La porte du four est verrouillée et ne se libère pas, même après que le four ait refroidi.	Mettre le four hors circuit au coupe-circuit et attendre 5 minutes. Remettre le disjoncteur en circuit. Le four devrait se réinitialiser et être fonctionnel.
Le four ne chauffe pas	Vérifier le coupe-circuit ou le coffret à fusibles de la résidence. S'assurer que l'alimentation électrique est adéquate. S'assurer que la température du four a été sélectionnée.
Le four ne cuit pas uniformément	Procéder à l'étalonnage du four si besoin est (voir « Modifier la température compensée du four » dans ce manuel). Consulter les tableaux de cuisson pour les recommandations relatives aux positions de grilles.
Les résultats de cuisson ne sont pas satisfaisants	Consulter les tableaux de cuisson pour les recommandations relatives aux positions de grilles. Voir « Tirer le meilleur parti de votre four » pour des conseils et des suggestions. Au besoin, réaliser l'étalonnage du four (voir « <i>Température compensée du four</i> », page 22).
La durée de cuisson des aliments est plus longue que prévue	Le four est soigneusement calibré afin de fournir des résultats précis. Toutefois, si les aliments sont systématiquement trop ou pas assez dorés, la température peut être ajustée pour compenser. Voir « <i>Température compensée du four</i> », page 22.
Les aliments sont trop cuits.	Le four est soigneusement calibré afin de fournir des résultats précis. Toutefois, si les aliments sont systématiquement trop ou pas assez dorés, la température peut être ajustée pour compenser. Voir « <i>Température compensée du four</i> », page 22.
Les modes Cuisson par Convection ou Convection Multi-Rack ne donnent pas les résultats escomptés.	Si la fonction Conversion Convection Auto est désactivée, la température doit être diminuée manuellement de 25 °F (14 °C). Si la fonction est activée, la température est automatiquement ajustée. Pour de plus amples informations, voir « ACTIVER ou DÉSACTIVER la fonction Conversion Convection Auto ». Se reporter aux tableaux de cuisson et aux conseils sur les positions de grille, les temps de cuisson et le choix des ustensiles de cuisson. Au besoin, réaliser l'étalonnage du four. Voir « <i>Température compensée du four</i> », page 22.
La température du four est trop élevée ou trop basse	Le thermostat du four doit être réglé. Voir « <i>Température compensée du four</i> », page 22.
L'éclairage du four fonctionne mal.	Remplacer l'ampoule ou la remettre en place si elle a du jeu ou si elle est défectueuse. Toucher l'ampoule avec les doigts peut la faire griller.

Problème concernant le four	Causes possibles et solutions suggérées
Impossible d'éteindre l'éclairage du four.	Vérifier s'il y a obstruction de la porte du four. Vérifier si la charnière est tordue. Lorsque la fonction Shabbat est activée, l'éclairage du four reste allumé ou éteint (en fonction de la sélection effectuée pendant l'installation) pendant toute la durée du mode Shabbat.
Impossible de retirer la lentille de la lampe.	Il peut y avoir une accumulation de saleté autour de la lentille. Essuyer avec un chiffon propre et sec avant de retirer le couvercle.
La fonction d'autonettoyage du four fonctionne mal.	Laisser refroidir le four avant d'exécuter le cycle d'autonettoyage. Toujours essuyer les saletés et les déversements importants avant d'exécuter le cycle d'autonettoyage. Si le four est très sale, programmez-le pour une durée d'autonettoyage de quatre heures. Voir Préparation du four pour l'autonettoyage.
L'horloge et la minuterie fonctionnent mal.	S'assurer que le four est sous tension. Voir les sections Horloge et Minuterie.
La porcelaine s'ébrèche	Lorsque vous retirez et remettez en place les grilles du four, veillez à toujours les incliner vers le haut et à ne pas forcer pour les introduire dans le four pour éviter que la porcelaine ne s'ébrèche.
Un « F » et un numéro s'affichent à l'écran et le panneau de commande émet un signal sonore.	Ceci est un code d'erreur. Appuyer sur Off (Désactiver) pour effacer l'écran et mettre fin au signal sonore. Au besoin, réinitialiser le four. Si un code d'erreur reste affiché et que le signal sonore ne s'arrête pas, notez le code d'erreur, annuler le four et appeler un technicien en entretien et en réparation agréé.
Une forte odeur se dégage de la cuisinière neuve lorsqu'elle est mise sous tension	Ceci est normal pour une cuisinière neuve et disparaîtra après quelques utilisations. Actionner le cycle d'autonettoyage éliminera l'odeur plus rapidement.
Le panneau de commande ne répond pas lorsqu'une touche est activée	S'assurer que le pavé tactile est propre. Toucher le centre de la touche à effleurement. Utiliser le plat du doigt.
Le ventilateur fonctionne pendant les modes de cuisson qui n'utilisent pas le mode Convection	Sur certains modèles, le ventilateur à convection fonctionne pendant que l'on fait préchauffer le four pour le mode Cuisson. Ceci est normal. Les modèles coulissants sont également dotés d'un ventilateur de refroidissement qui fonctionne pendant chaque mode de cuisson.
De l'air chaud ou de la vapeur s'échappent de l'évent du four.	Il est normal de voir ou de sentir de la vapeur ou de l'air chaud s'échapper de l'évent du four. Ne pas obstruer l'évent.
Le ventilateur de refroidissement fonctionne alors que le four a été éteint (cuisinières coulissantes uniquement)	Ceci est normal. Lorsque le four aura refroidi et qu'il aura atteint une température prédéfinie, le ventilateur de refroidissement s'éteint.
La table de cuisson ne fonctionne pas pendant le cycle autonettoyant	Ceci est normal pour certains modèles. Le fonctionnement sera rétabli une fois le cycle autonettoyant terminé.

Énoncé de Garantie Limitée du Produit

Couverture de la garantie et à qui elle s'applique

La garantie limitée fournie par BSH Home Appliances « Bosch » dans le présent énoncé de garantie limitée du Produit s'applique seulement à l'appareil Bosch qui vous est vendu, le premier acheteur à l'utiliser, à la condition que le Produit ait été acheté :

- pour votre usage domestique (non commercial) normal et qu'il ait effectivement, en tout temps, été utilisé à des fins domestiques normales;
- à l'état neuf au détail (et non comme un modèle d'exposition, « en l'état » ou un modèle préalablement retourné), et non pour la revente ou l'utilisation commerciale;
- aux États-Unis ou au Canada, et qu'il soit en tout temps demeuré dans le pays de l'achat d'origine.

Les garanties aux présentes s'appliquent à l'acheteur original du Produit sous garantie et à tout propriétaire successif du produit acheté pour une utilisation résidentielle habituelle et la durée de la garantie.

Assurez-vous de retourner votre carte d'enregistrement; quoique que cela ne soit pas nécessaire pour que la couverture de la garantie prenne effet, c'est le meilleur moyen pour que Bosch puisse vous prévenir dans l'éventualité improbable d'un avis de sécurité ou d'un rappel de produit.

Durée de la garantie

Bosch garantit que le Produit est exempt de défauts de matériaux et de fabrication pendant une période de trois cent soixante-cinq (365) jours à compter de la date d'achat. Cette période commence à courir à partir de la date d'achat et ne sera pas retardée, restreinte, prolongée ni suspendue pour quelque raison que ce soit.

Ce Produit est également garanti contre tout défaut de matériau et de fabrication apparent (tels les éraflures sur l'acier inoxydable, les défauts d'aspect de la peinture ou de la porcelaine, les ébréchures, les bosselures, ou autres dégâts au fini du Produit), pendant une période de trente (30) jours à compter de la date d'achat ou de la date de clôture pour une nouvelle construction. Cette garantie relative à l'apparence exclut les légères variations de couleur découlant des différences inhérentes aux pièces peintes et en porcelaine, ainsi que découlant des différences causées par l'éclairage de cuisine, l'emplacement du produit, ou d'autres facteurs similaires.

Cette garantie relative à l'apparence exclut plus particulièrement tout appareil électroménager de présentation, en montre, de plancher, « En l'état » ou de stock « B ».

La réparation ou le remplacement du Produit comme recours exclusif

Pendant cette période de garantie, Bosch ou l'un de ses prestataires de services agréés réparera le produit sans frais de votre part (sous réserve de certaines limitations énoncées aux présentes) s'il s'avère que la fabrication de votre produit présente un défaut de matière ou de fabrication. Si des tentatives raisonnables de réparation du produit ont été faites sans succès, alors Bosch remplacera le produit (des modèles mis à niveau peuvent être mis à votre disposition), à la seule discrétion de Bosch, moyennant des frais supplémentaires). Tout composant ou pièce enlevés deviennent la propriété de Bosch, à sa seule option. Toute pièce remplacée et/ou réparée doit assumer l'identité de la pièce d'origine aux fins de la présente garantie, et cette dernière ne sera pas prolongée au regard de ces pièces. La seule obligation et responsabilité de Bosch en vertu des présentes est de réparer seulement le produit présentant un défaut de fabrication, par l'entremise d'un prestataire de services agréé Bosch aux heures normales de travail. Pour des questions de sécurité et de dommages à la propriété, Bosch recommande vivement de ne pas tenter de réparer soi-même le produit, ni d'utiliser un service de réparation non autorisé. Bosch décline toute responsabilité pour les réparations ou le travail effectués par un service de réparation non autorisé. Si vous choisissez de faire réparer le produit par une personne autre qu'un prestataire de services agréé, CETTE GARANTIE DEVIENDRA AUTOMATIQUEMENT NULLE ET NON AVENUE. Les prestataires de services agréés sont des personnes ou des compagnies qui ont été spécialement formées pour les produits Bosch et qui possèdent, de l'avis de Bosch, une excellente réputation pour le service à la clientèle et des aptitudes techniques (il est à noter qu'il s'agit d'entités indépendantes et non des agents, partenaires, affiliés ou représentants de Bosch). Néanmoins, Bosch n'assumera aucune responsabilité ou obligation à l'égard du produit s'il est situé dans une région éloignée (plus de 100 miles (160,9 km) d'un prestataire de services agréé) ou s'il est raisonnablement inaccessible ou à un endroit, dans une zone ou dans un environnement dangereux, menaçants ou hasardeux; dans un tel cas, si vous en faites la demande, Bosch pourrait payer les frais de main-d'œuvre et de pièce et expédier les pièces au prestataire de service agréé le plus proche, mais vous seriez quant même entièrement responsable pour tout déplacement ou autres frais spéciaux requis par le service

de réparation, à supposer qu'il accepte d'effectuer un appel de service.

Produit qui n'est plus couvert par la garantie

Bosch n'est nullement tenu, en droit ou autrement, de vous offrir toute concession, y compris réparations, tarifs proportionnels ou remplacement de Produit, une fois la garantie expirée.

Exclusions de la garantie

La couverture de garantie décrite aux présentes exclut tout défaut ou dommage ne découlant pas d'une faute directe de Bosch, y compris sans limitation, un ou plusieurs des cas suivants :

- utilisation du produit d'une façon autre que normale, habituelle et prévue (y compris, sans limitation, toute forme d'utilisation commerciale, utilisation ou rangement d'un produit pour l'intérieur à l'extérieur, utilisation du Produit avec des aéronefs ou bateaux) ;
- mauvaise conduite volontaire de toute partie, conduite négligente, mauvaise utilisation, abus, accidents, négligence, exploitation irrégulière, manquement à l'entretien, installation inadéquate ou négligée, altération, manquement à observer les instructions de fonctionnement, manipulation sans précaution, service non autorisé (y compris le « bricolage » fait soi-même ou l'exploration du fonctionnement interne de l'appareil);
- réglage, altération ou modification de toute sorte;
- manquement à se conformer à tous les codes électriques, de plomberie et/ou de construction de l'état, locaux, municipaux ou du comté, règlements ou lois en vigueur, y compris le manquement à installer le produit strictement en conformité avec les codes et règlements d'incendie et de construction locaux;
- usure et détérioration normales, déversements d'aliments, liquides, accumulation de graisse, ou autres substances accumulées sur, dans ou autour du produit;
- et toute force et facteur externes, élémentaires et/ou environnementaux, y compris sans limitation, pluie, vent, sable, inondations, incendies, glissements de terrain, gel, humidité excessive ou exposition prolongée à l'humidité, foudre, surtensions, défauts de structure environnante de l'appareil, et catastrophes naturelles.

BSH ne sera en aucun cas responsable, de quelque manière que ce soit, des dommages occasionnés aux biens environnants, y compris les armoires de rangement, les planchers, les plafonds et les autres structures ou objets qui se trouvent aux alentours du Produit. Sont également exclus de la présente garantie les Produits dont les numéros de série ont été modifiés, effacés ou enlevés; les visites après-vente pour vous enseigner à utiliser le Produit, ou les déplacements lorsque le Produit ne

présente aucun problème; la correction de problèmes d'installation (vous êtes entièrement responsable de toute structure et réglage du Produit, y compris électricité, plomberie ou autres services utilitaires, pour un plancher/ des fondations appropriés et pour toute modification y compris, sans limitation, armoires, murs, planchers, étagères, etc.); et la remise en fonction des coupe-circuits ou fusibles.

DANS LA MESURE OU LA LOI LE PERMET, LA PRÉSENTE GARANTIE ÉNONCE VOS RECOURS EXCLUSIFS À L'ÉGARD DU PRODUIT, QUE LA RÉCLAMATION SOIT DE NATURE CONTRACTUELLE OU DÉLICTEUELLE (Y COMPRIS LA RESPONSABILITÉ ABSOLUE OU LA NÉGLIGENCE) OU AUTRE. LA PRÉSENTE GARANTIE REMPLACE TOUTES LES AUTRES GARANTIES, EXPRESSES OU IMPLICITES. TOUTE GARANTIE IMPLICITE EN VERTU DE LA LOI, QUE CE SOIT À DES FINS DE QUALITÉ MARCHANDE OU D'ADAPTATION À UN BUT PARTICULIER, OU AUTREMENT, EST EN VIGUEUR UNIQUEMENT PENDANT LA PÉRIODE AU COURS DE LAQUELLE LA PRÉSENTE GARANTIE LIMITÉE EXPRESSE EST EN VIGUEUR. LE FABRICANT NE SERA EN AUCUN CAS RESPONSABLE DES DOMMAGES, PERTES OU FRAIS CONSÉCUTIFS, PARTICULIERS, ACCESSOIRES, INDIRECTS, ET/OU PUNITIFS, DES PERTES COMMERCIALES, Y COMPRIS, NOTAMMENT, LE TEMPS D'ABSENCE AU TRAVAIL, L'HÉBERGEMENT ET/OU LES REPAS AU RESTAURANT, LES FRAIS DE REMANIEMENT EN EXCÉDENT DES DOMMAGES DIRECTS QUI SONT MANIFESTEMENT CAUSÉS EXCLUSIVEMENT PAR BOSCH OU AUTREMENT. CERTAINS ÉTATS NE PERMETTENT PAS L'EXCLUSION OU LA LIMITATION DES DOMMAGES ACCESSOIRES OU INDIRECTS ET CERTAINS ÉTATS NE PERMETTENT PAS LA LIMITATION SUR LA DURÉE D'UNE GARANTIE IMPLICITE, DE SORTE QUE LES LIMITATIONS CI-DESSUS PEUVENT NE PAS S'APPLIQUER À VOTRE CAS. LA PRÉSENTE GARANTIE VOUS DONNE DES DROITS JURIDIQUES SPÉCIFIQUES ET VOUS POUVEZ AVOIR ÉGALEMENT D'AUTRES DROITS QUI VARIENT D'UN ÉTAT À L'AUTRE.

Aucune tentative de modification, changement ou amendement à la présente garantie ne prendra effet à moins d'être autorisée par écrit par un membre de la direction de BSH.

Procédure d'obtention du service prévu par la garantie :

Pour obtenir un service au titre de la garantie pour votre Produit, veuillez communiquer avec le centre de service après-ventes agréé de Bosch le plus proche.

BSH Home Appliances - 1901 Main Street, Suite 600, Irvine, CA 92614 / 800-944-2904.

Tableaux de cuisson

PRODUITS DE BOULANGERIE/PLATS PRINCIPAUX

Aliments	Recommandés Mode de cuisson	Four Température	Pré-chauffer le four	Nombre de grilles	Position de grille	Durée (min)	Taille et type d'ustensile
Gâteaux							
Gâteau des anges	Convection Bake (Cuisson par Convection)	325 °F (162 °C)	Oui	Une	1	35 - 50	moule à savarin de 10 po
Savarin	Convection Bake (Cuisson par Convection)	325 °F (162 °C)	Oui	Une	2	45 - 65	moule à savarin de 12 tasses
Petits gâteaux	Conv. Multi-Rack	325 °F (162 °C)	Oui	Une	3	17 - 27	moule à muffins de 12 alvéoles
	Conv. Multi-Rack	325 °F (162 °C)	Oui	Plusieurs	2 & 5	17 - 27	moule à muffins de 12 alvéoles
	Conv. Multi-Rack	325 °F (162 °C)	Oui	Plusieurs	1, 3, & 5	17 - 27	moule à muffins de 12 alvéoles
Ronds de gâteaux	Convection Bake (Cuisson par Convection)	325 °F (162 °C)	Oui	Une	3	28 - 40	rond de gâteau de 8 ou 9 po (20 ou 23 cm)
	Convection Bake (Cuisson par Convection)	325 °F (162 °C)	Oui	Plusieurs	2 & 5	28 - 40	rond de gâteau de 8 ou 9 po (20 ou 23 cm)
Gâteau mince	Convection Bake (Cuisson par Convection)	325 °F (162 °C)	Oui	Une	3	45 - 60	13 po X 9 po X 2 po (33 X 22 X 5 cm)
Biscuits							
Brownies	Convection Bake (Cuisson par Convection)	325 °F (162 °C)	Oui	Une	3	33 - 40	carré de 8 ou 9 po (20 ou 23 cm)
Aux copeaux de chocolat	Conv. Multi-Rack	325 °F (162 °C)	Oui	Une	3	8 - 17	tôle à biscuits
	Conv. Multi-Rack	325 °F (162 °C)	Oui	Plusieurs	2 & 5	8 - 17	tôle à biscuits
	Conv. Multi-Rack	325 °F (162 °C)	Oui	Plusieurs	1,3, & 5	8 - 17	tôle à biscuits
Barres-biscuits	Convection Bake (Cuisson par Convection)	325 °F (162 °C)	Oui	Une	3	23 - 33	carré de 8 ou 9 po (20 ou 23 cm)
Sablés	Conv. Multi-Rack	325 °F (162 °C)	Oui	Une	3	8 - 10	tôle à biscuits
	Conv. Multi-Rack	325 °F (162 °C)	Oui	Plusieurs	2 & 5	8 - 10	tôle à biscuits
	Conv. Multi-Rack	325 °F (162 °C)	Oui	Plusieurs	1,3, & 5	8 - 10	tôle à biscuits
Plats principaux/Légumes							
Ragoûts	Bake (Cuisson)	température de la recette.	Oui	Une	3	durée indiquée par la recette	plat allant au four
Quiche	Bake (Cuisson)	375 °F (190 °C)	Oui	Une	2	30 - 40	plat à tarte
Soufflé	Bake (Cuisson)	325 °F (162 °C)	Oui	Une	3	45 - 55	moule à soufflés
Légumes	Convection Roast (Rôtissage Convection)	recette	Non	Une	3	recette	tôle à biscuits

PRODUITS DE BOULANGERIE/PLATS PRINCIPAUX

Aliments	Recommandés Mode de cuisson	Four Tempéra- ture	Pré- chauf- fer le four	Nombre de grilles	Position de grille	Durée (min)	Taille et type d'ustensile
----------	-----------------------------------	--------------------------	----------------------------------	----------------------	-----------------------	----------------	-------------------------------

Les tableaux peuvent être utilisés comme guides. Suivre les conseils de préparation de la recette ou de l'emballage.

Les températures de convection ont été diminuées de 25 °F par rapport aux conseils de préparation de la recette ou de l'emballage.

Pâtisseries

Choux à la crème	Conv. Multi-Rack	400 °F (204 °C)	Oui	Une	3	23 - 33	tôle à biscuits
	Conv. Multi-Rack	400 °F (204 °C)	Oui	Plusieurs	2 & 5	23 - 33	tôle à biscuits
	Conv. Multi-Rack	400 °F (204 °C)	Oui	Plusieurs	1,3, & 5	23 - 33	tôle à biscuits
Pâte feuilletée	Conv. Multi-Rack	375 °F (190 °C)	Oui	Une	3	10 - 12	tôle à biscuits

Tartes

1 fond de tarte	Convection Bake (Cuisson par Convection)	475 °F (246 °C)	Oui	Une	2	8 - 12	moule à tarte de 9 po (23 cm)
2 fonds, fruits	Convection Bake (Cuisson par Convection)	375 °F (190 °C)	Oui	Une	2	45 - 60	moule à tarte de 9 po (23 cm)
Congelées	Convection Bake (Cuisson par Convection)	375 °F (190 °C)	Oui	Une	3	70 - 85	moule à tarte de 9 po (23 cm)
Meringue	Bake (Cuisson)	350 °F (190 °C)	Oui	Une	2	10 - 15	moule à tarte de 9 po (23 cm)
Tarte aux pacanes	Bake (Cuisson)	350 °F (190 °C)	Oui	Une	2	45 - 60	moule à tarte de 9 po (23 cm)
Tarte à la citrouille	Bake (Cuisson)	425 °F/ 350 °F (218 °C/ 177 °C)	Oui	Une	2	15/35-45	moule à tarte de 9 po (23 cm)

Pizza

Pierre de cuisson	Pizza	425 °F (218 °C)	Oui	Une	2	durée indi- quée par la recette	Pierre de cuisson
Fraîche	Pizza	425 °F (218 °C)	Oui	Une	2	durée indi- quée par la recette	plaque à pizza
Croûte épaisse, Congelée	Pizza	voir emballage	Oui	Une	voir embal- lage	durée indi- quée sur emballage	instructions de l'emballage
Croûte mince, Congelée	Pizza	voir emballage	Oui	Une	voir embal- lage	durée indi- quée sur emballage	instructions de l'emballage

Pains rapides

Biscotines	Conv. Multi-Rack	325 °F (162 °C)	Oui	Une	3	10 - 20	tôle à biscuits
	Conv. Multi-Rack	325 °F (162 °C)	Oui	Plusieurs	2 & 5	10 - 20	tôle à biscuits
Pain	Convection Bake (Cuisson par Convection)	350 °F (190 °C)	Oui	Une	2	48 - 60	moule à pain de 8 x 4 po (20,3 x 10,2 cm)
Muffins	Conv. Multi-Rack	400 °F (204 °C)	Oui	Une	3	14 - 25	moule à muffins de 12 alvéoles

PRODUITS DE BOULANGERIE/PLATS PRINCIPAUX

Aliments	Recommandés Mode de cuisson	Four Température	Pré-chauffer le four	Nombre de grilles	Position de grille	Durée (min)	Taille et type d'ustensile
	Conv. Multi-Rack	400 °F (204 °C)	Oui	Plusieurs	2 & 5	14 - 25	moule à muffins de 12 alvéoles
Pains à la levure							
Petits pains mollets	Conv. Multi-Rack	375 °F (190 °C)	Oui	Une	3	10 - 20	tôle à biscuits
	Conv. Multi-Rack	375 °F (190 °C)	Oui	Plusieurs	2 & 5	10 - 20	tôle à biscuits
	Conv. Multi-Rack	375 °F (190 °C)	Oui	Plusieurs	1, 3, & 5	10 - 20	tôle à biscuits
Pain	Convection Bake (Cuisson par Convection)	400 °F (204 °C)	Oui	Une	2	22 - 35	moule à pain de 9 x 5 po (22,8 x 12,7 cm)
Brioche	Conv. Multi-Rack	325 °F (162 °C)	Oui	Une	3	20 - 25	tôle à biscuits

Les tableaux peuvent être utilisés comme guides. Suivez les conseils de préparation de l'emballage ou de la recette.

Les températures de convection ont été diminuées de 25 °F par rapport aux conseils de préparation de la recette ou de l'emballage.

VIANDES

Aliments	Mode de cuisson recommandé	Température du four	Position des grilles	Température interne	Durée de cuisson en min. sauf indication contraire	Aliments couverts	Durée de repos
Bœuf							
Rôti de palette, 2 - 3 lb (0,9 - 1,3 kg)	Roast (Rôtissage)	350 °F (177 °C)	2	Bien cuit, 170 °F (77 °C)	1 1/2 - 2 heures	Oui	aucun
Hamburgers, 3/4 - 1 po (2 - 2,5 cm) d'épaisseur	Broil (Cuisson Gril)	Élevé	6	À point, 160 °F (71 °C)	1er côté : 5 - 8 2ème côté : 4 - 6	Non	aucun
Faux-filet, désossé, 3 - 3,5 lb (1,3 - 1,6 kg)	Convection Roast (Rôtissage Convection)	325 °F (160 °C)	2	Mi-saignant, 145 °F (63 °C)	27 - 31 min/lb	Non	10 - 15 min
Faux-filet, désossé, 3 - 3,5 lb (1,3 - 1,6 kg)	Convection Roast (Rôtissage Convection)	325 °F (160 °C)	2	À point, 160 °F (71 °C)	30 - 38 min/lb	Non	10 - 15 min
Faux-filet, surlonge, sans os, 3 - 5,5 lb	Convection Roast (Rôtissage Convection)	325 °F (160 °C)	2	Mi-saignant, 145 °F (63 °C)	18 - 33 min/lb	Non	10 - 15 min
Faux-filet, surlonge, sans os, 3 - 5,5 lb	Convection Roast (Rôtissage Convection)	325 °F (160 °C)	2	À point, 160 °F (71 °C)	30 - 35 min/lb	Non	10 - 15 min
Steaks, 1 po (2,5 cm) d'épaisseur	Broil (Cuisson Gril)	Élevé	6	Mi-saignant, 145 °F (63 °C)	1er côté : 5 - 8 2ème côté : 4 - 6	Non	aucun
Steaks, 1 po (2,5 cm) d'épaisseur	Broil (Cuisson Gril)	Élevé	6	À point, 160 °F (71 °C)	1er côté : 8 - 9 2ème côté : 5 - 7	Non	aucun
Steaks, 1 1/2 po (3,8 cm) d'épaisseur	Convection Broil (Cuisson Gril Convection)	Élevé	4	Mi-saignant, 145 °F (63 °C)	1er côté : 11 - 14 2ème côté : 9 - 13	Non	aucun
Steaks, 1 1/2 po (3,8 cm) d'épaisseur	Convection Broil (Cuisson Gril Convection)	Élevé	4	À point, 160 °F (71 °C)	1er côté : 13 - 18 2ème côté : 11 - 14	Non	aucun

VIANDES

Aliments	Mode de cuisson recommandé	Température du four	Position des grilles	Température interne	Durée de cuisson en min. sauf indication contraire	Aliments couverts	Durée de repos
Filet, 2 - 3 lb	Convection Roast (Rôtissage Convection)	425 °F (218 °C)	2	Mi-saignant, 145 °F (63 °C)	15 - 24 min/lb	Non	5 min
Agneau							
Gigot, désossé, 2 - 3 lb	Convection Roast (Rôtissage Convection)	325 °F (160 °C)	2	À point, 145 °F (63 °C)	25 - 30 min/lb	Non	10 - 15 min
Gigot, désossé, 4 - 6 lb	Convection Roast (Rôtissage Convection)	325 °F (160 °C)	2	À point, 160 °F (71 °C)	30 - 35 min/lb	Non	10 - 15 min
Côtes, 1 po (2,5 cm) d'épaisseur	Broil (Cuisson Gril)	3 - Élevé	4	Mi-saignant, 145 °F (63 °C)	1er côté : 4 - 6 2ème côté : 4 - 5	Non	aucun
Côtes, 1 po (2,5 cm) d'épaisseur	Broil (Cuisson Gril)	3 - Élevé	4	À point, 160 °F (71 °C)	1er côté : 5 - 7 2ème côté : 5 - 6	Non	aucun
Porc							
Tranches de jambon 1/2 po (1,3 cm) d'épaisseur	Broil (Cuisson Gril)	3 - Élevé	5	160 °F (71 °C)	1er côté : 4 - 5 2ème côté : 3 - 4	Non	aucun
Rôti de longe, 1/2 - 3 lb	Convection Roast (Rôtissage Convection)	350 °F (177 °C)	2	145 °F (63 °C) 160 °F (71 °C)	16 - 30 min/lb 19 - 36 min/lb	Non	30 min 10 - 15 min
Rôti de longe, 3 - 6 lb	Convection Roast (Rôtissage Convection)	350 °F (177 °C)	2	145 °F (63 °C) 160 °F (71 °C)	16 - 30 min/lb 14 - 23 min/lb	Non	30 min 10 - 15 min

Les tableaux peuvent être utilisés comme guides. Suivez les instructions de l'emballage ou de la recette. Les durées de rôtissage sont approximatives et peuvent varier en fonction de la forme de la pièce de viande.

Le rôtissage de la dinde farcie prend plus de temps. La température minimale sûre de cuisson de la farce dans une volaille est de 165 °F (74 °C).

REMARQUE : Les températures internes des aliments sont recommandées par l'USDA et doivent être mesurées avec un thermomètre de cuisson numérique.

Porc							
Côtes, 1 po (2,5 cm) d'épaisseur	Broil (Cuisson Gril)	BAS	3	145 °F (63 °C)	1er côté : 5 - 9 2ème côté : 8 - 11	Non	3 min
		BAS		160 °F (71 °C)	1er côté : 8 - 10 2ème côté : 8 - 9		
Côtes, 1 1/2 po (3,8 cm) d'épaisseur	Convection Broil (Cuisson Gril Convection)	Élevé	4	160 °F (71 °C)	1er côté : 9 - 11 2ème côté : 8 - 10	Non	aucun
Saucisse, fraîche	Cuisson Gril	Élevé	4	170 °F (77 °C)	1er côté : 3 - 6 2ème côté : 2-4	Non	aucun
Filet, 2 - 3 lb	Rôtissage Convection	425 °F (218 °C)	3	145 °F (63 °C) 160 °F (71 °C)	18 - 28 min/lb 20 - 27 min/lb	Non	5 - 10 min 3 min
Volaille							
Poulet							
Poitrines avec os	Convection Broil (Cuisson Gril Convection)	Bas	3	170 °F (77 °C)	1er côté : 20 - 28 2ème côté : 17 - 22	Non	aucun
Cuisse avec os	Broil (Cuisson Gril)	Bas	3	180 °F (82 °C) dans la cuisse	1er côté : 14 - 16 2ème côté : 12 - 14	Non	aucun
Entier 3.5 - 8 lb	Convection Roast (Rôtissage Convection)	375 °F (190 °C)	2	180 °F (82 °C) dans la cuisse	13 - 20 min/lb	Non	aucun

VIANDES

Aliments	Mode de cuisson recommandé	Température du four	Position des grilles	Température interne	Durée de cuisson en min. sauf indication contraire	Aliments couverts	Durée de repos
Poulets de Cornouailles, 1 - 1 1/2 lb	Convection Roast (Rôtissage Convection)	350 °F (177 °C)	2	180 °F (82 °C) dans la cuisse	45 - 75 min, durée totale	Non	aucun
Dinde							
Poitrine, 4 - 8 lb	Convection Roast (Rôtissage Convection)	325 °F (160 °C)	2	170 °F (77 °C)	19 - 23 min /lb	Non	15 - 20 min pour un découpage facile
Non farcie, 12 - 19 lb	Convection Roast (Rôtissage Convection)	325 °F (160 °C)	1	180 °F (82 °C) dans la cuisse	9 - 14 min/lb	Aluminium pour éviter de trop dorer	15 - 20 min pour un découpage facile
Non farcie, 20 - 30 lb	Convection Roast (Rôtissage Convection)	325 °F (160 °C)	1	180 °F (82 °C) dans la cuisse	6 - 12 min/lb	Aluminium pour éviter de trop dorer	15 - 20 min pour un découpage facile

Fruits de mer

Filets de poisson, 3/4 - 1 po (2 - 2,5 cm) d'épaisseur	Broil (Cuisson Gril)	Bas	3	145 °F (63 °C)	11 - 15 min	Non	aucun
--	----------------------	-----	---	----------------	-------------	-----	-------

Les tableaux peuvent être utilisés comme guides. Suivez les instructions de l'emballage ou de la recette.

Les durées de rôtissage sont approximatives et peuvent varier en fonction de la forme de la pièce de viande.

Le rôtissage de la dinde farcie prend plus de temps. La température minimale sûre de cuisson de la farce dans une volaille est de 165 °F (74 °C).

REMARQUE : Les températures internes des aliments sont recommandées par l'USDA et doivent être mesurées avec un thermomètre de cuisson numérique.



BOSCH

Invented for life