

LP Gas Conversion Kit

Installation Manual

Slide-in Ranges

HDIP056U, HDIP056C, HDI8056U, HDI8056C,
HGI8046UC, HGI8056UC, HGIP056UC



BOSCH

Invented for life



Table of Contents

Safety Definitions	1
IMPORTANT SAFETY INSTRUCTIONS	2
Conversion	3
Before You Begin	3
Procedure	3
Test the Installation	7
Service	9
Before Calling Service	9

This Bosch Appliance is made by
BSH Home Appliances Corporation
1901 Main Street, Suite 600
Irvine, CA 92614

Questions?

1-800-944-2904

www.bosch-home.com/us

We look forward to hearing from you!

Safety Definitions

⚠ WARNING

This indicates that death or serious injuries may occur as a result of non-observance of this warning.

⚠ CAUTION

This indicates that minor or moderate injuries may occur as a result of non-observance of this warning.

NOTICE: This indicates that damage to the appliance or property may occur as a result of non-compliance with this advisory.

Note: This alerts you to important information and/or tips.

WARNING:

If the information in this manual is not followed exactly, a fire or explosion may result causing property damage, personal injury or death.

- **Do not store or use combustible materials, gasoline or other flammable vapors and liquids in the vicinity of this or any other appliance.**

- **WHAT TO DO IF YOU SMELL GAS**
 - Do not try to light any appliance.
 - Do not touch any electrical switch.
 - Do not use any phone in your building.
 - Immediately call your gas supplier from a neighbor's phone. Follow the gas supplier's instructions.
 - If you cannot reach your gas supplier, call the fire department.

- **Installation and service must be performed by a qualified installer, authorized service agency or the gas supplier.**



IMPORTANT SAFETY INSTRUCTIONS

READ AND SAVE THESE INSTRUCTIONS

Safety

WARNING

If the information in this manual is not followed exactly, fire or shock may result causing property damage or personal injury.

Important Safety Instructions

- Please read Installation Instructions before beginning the conversion.
- Please read all instructions before proceeding. Save the natural gas parts for possible conversion from LP back to natural gas in the future.
- This kit is used to convert dual fuel ranges and gas ranges from natural gas operation to propane (LP) gas operation. This conversion kit is only for use with BSH Home Appliances manufactured ranges.
- **CAUTION:** When connecting the unit to the propane gas, make certain the propane gas tank is equipped with its own high pressure regulator. In addition, the range has its own pressure regulator. Verify that it is installed for the appropriate gas supply.
- The maximum gas pressure to this appliance is not to exceed 14.0 inches water column from the propane gas tank regulator.
- The following must be met when testing supply piping system:
 - a) The appliance and its individual shut-off valve must be disconnected from the gas supply piping system at test pressures in excess of 1/2 psig (3.5 kPa).
 - b) The appliance must be isolated from the gas supply piping system by closing its individual manual shut-off valve during any pressure testing of the gas supply piping system at test pressures equal to or less than 1/2 psig (3.5 kPa).
- **WARNING:** This conversion kit shall be installed by a qualified service agency in accordance with the manufacturer's instructions and all applicable codes and requirements of the authority having jurisdiction. If the information in these instructions is not followed exactly, a fire, explosion or production of carbon monoxide may result causing property damage, personal injury or loss of life. The qualified service agency is responsible for the proper installation of this kit. The installation is not proper and complete until the operation of the converted appliance is checked as specified in the manufacturer's instructions supplied with the kit.
- For Massachusetts Installations:
 - 1) Installation must be performed by a qualified or licensed contractor, plumber or gas fitter qualified or licensed by the state, province or region where this appliance is being installed.
 - 2) Shut-off valve must be a "T" handle gas cock.
 - 3) Flexible gas connector must not be longer than 36 inches.
- High Altitude Installation Note: For high altitude installations, please refer to customer service.

Proposition 65 Warning:

This product may contain a chemical known to the State of California, which can cause cancer or reproductive harm. Therefore, the packaging of your product may bear the following label as required by California:

STATE OF CALIFORNIA PROPOSITION 65 WARNING:

 **WARNING**

Cancer and Reproductive Harm - www.P65Warnings.ca.gov

Conversion

Before You Begin

Tools and Parts Needed

- 7 mm Socket Driver w/ 3" extension
- Torx (T20)-head screwdriver
- Adjustable Wrench
- Flathead Screwdriver (1/8" or smaller)
- Phillips Head Screwdriver

Parts Included

- Conversion Kit Instructions
- Conversion Sticker
- 7 LP Orifices
- 1 Broil Orifice Hood (models that are all gas only)
- LP Conversion Jig (models that are all gas only)

Note: This manual supports two different SIR models (dual fuel and gas), thus some parts listed may not be present if it doesn't pertain to the model purchased.

General Information

Always Provide Adequate Gas Supply

This appliance is shipped from the factory for use with natural gas. Use this kit to convert the appliance for LP gas use if necessary. Observe the following:

Be sure the range is converted for use with the appropriate gas before using it.

This appliance is designed to operate at a pressure of 10" of water column when used with LP gas.

When checking for proper operation of the regulator, the inlet pressure must be at least 1" greater than the operating (manifold) pressure above. When converting for LP gas use, the pressure supplied to the regulator must be between 11" and 14" of water column.

The pressure regulator located in the inlet of the range manifold must remain in the supply line.

Use a flexible metal appliance connector or rigid pipe to connect the Range to the gas supply. The connector should have an inner diameter of 1/2" and be 5' in length. (Exception: Maximum connector length in Massachusetts installations is 3'). In Canada, the connector must be single wall metal and not longer than 6'.

Preparation

CAUTION: Turn off Gas and Electricity

Before proceeding with the conversion; shut off the gas supply to the appliance prior to disconnecting the electrical power.

1. Turn all control knobs to the "OFF" position.
2. Shut off the outside propane tank gas valve to the range.
3. Remove range power cord from electrical outlet or turn breaker off at breaker box.

Procedure

Convert Pressure Regulator from 6" W.C. to 11" W.C.

1. Remove warming drawer; pull drawer out until stop is reached. Facing the range, push clip on left side up and clip on right side down. Pull drawer the rest of the way out.
2. Remove cover plate from interior back wall by removing single screw on left side of panel. Use a torx T-20 head screwdriver.
3. Remove the hexagon cap from the top of the regulator with an adjustable wrench.
4. Pop out the plastic stem in the cap and turn it over pressing it firmly in place so that the letters "LP" (rather than "NAT") are seen upright in the stem.

Replace the cap and button assembly into the top of the regulator sealing it firmly. Make certain spring is still in place (See Fig. 1). **DO NOT OVERTIGHTEN.**

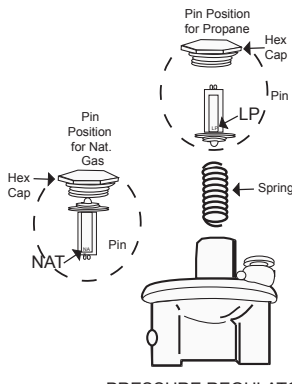


Figure 1: Pressure Regulator

5. Fill out and affix the CONVERSION STICKER on the back side of the cover plate so that it appears on the back side of range next to the regulator.

Replace Cooktop Orifices

1. Remove grates, burner caps and burner bases. Unscrew two (2) T20 screws inside each base and remove burner bases. Reinsert screws in jet holder to hold tubing assembly in place.

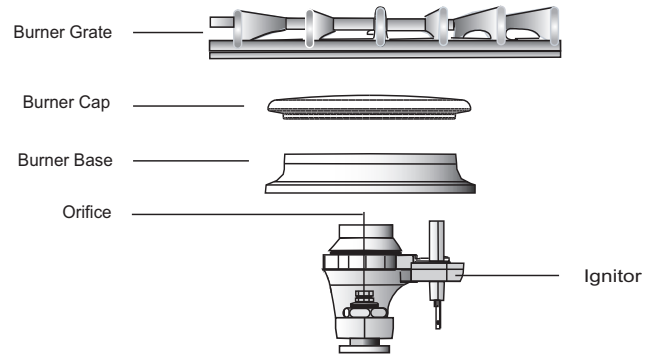
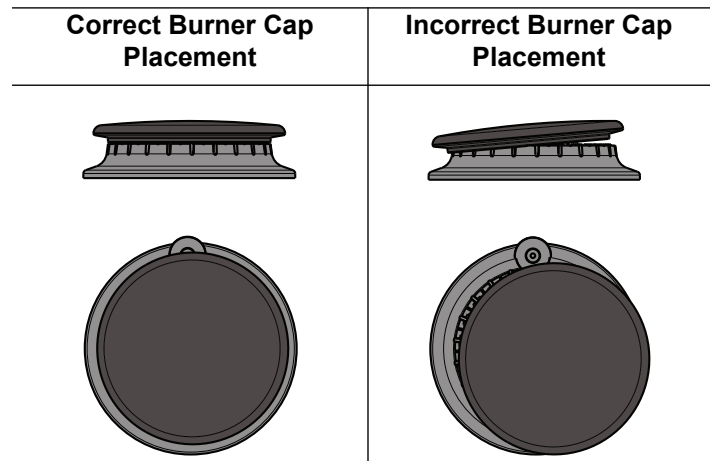


Figure 2: Sealed Gas Burners

2. Remove natural gas cooktop orifices. Insert the socket driver with 3" minimum extension into the jet holders to remove existing orifices. Set natural gas orifices aside.
3. Assemble LP cooktop orifices. Place in cooktop exactly as specified on the orifice card. Placement can be determined by matching the orifice size to the number on the card.
4. Place the new orifice into the socket then insert each orifice into its respective threaded hole in the jet holder. Tighten until the orifice stops turning. **DO NOT OVERTIGHTEN.**
5. Remove screws placed in jet holder to replace burner base, burner cap and burner grate. Reinstall screws. **Note:** Burner cap must be properly positioned on burner base for burner to light.

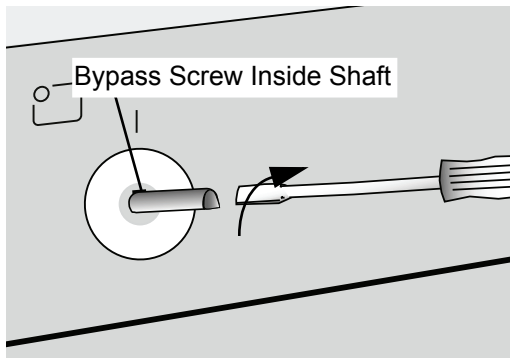


Burner Cap Placement

6. Retain natural gas orifices for future conversion back to natural gas.

Convert Cooktop Valves for Propane Use

1. Verify that all knobs are in the OFF position.
2. Remove knobs (pull straight out).
3. Insert 1/8" (or smaller) flat head screwdriver into shaft and turn bypass screw clockwise until it stops (bypass screw is inside shaft). DO NOT OVERTIGHTEN.



4. Replace knobs.

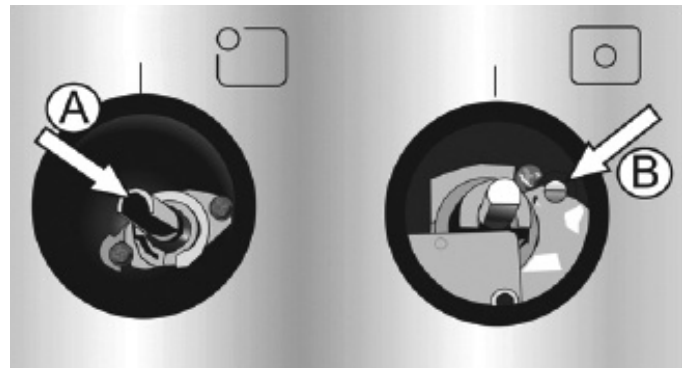
If your range is dual fuel your conversion is complete. Replace the cover plate and warming drawer and proceed to "Test the Installation" on page 7.

LP Gas Conversion Dual Valve (some models):

Some gas cooktops/rangetops have a dual burner in the center. The LP Gas conversion process varies slightly for these units due to the dual valve used with them. If your unit has a dual burner in the center please reference the instructions that follow for the proper procedure to convert that burner for LP Gas.

Convert Dual Valves for Propane Use

1. Verify that the dual burner control knob is in the OFF position.
2. Remove the knob (pull straight out).
3. Locate the bypass screw (see illustration below). Single valve stems are hollow; the bypass screw is located inside the stem (A). Dual valves have a brass adjustment screw (B) on the valve housing.



4. For single valves, insert 1/8" (or smaller) flat head screwdriver into shaft and turn bypass screw clockwise until it stops (bypass screw is inside shaft). DO NOT OVERTIGHTEN. For dual valves, locate the brass screw near the valve stem. Turn bypass screw clockwise until it stops. DO NOT OVERTIGHTEN.
5. Replace the knob.

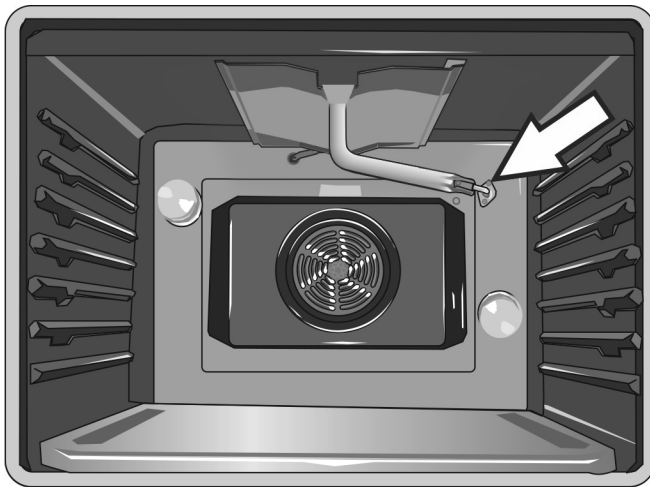
Adjust The Low Flame Setting

1. With at least two other burners lit, light the burner to be adjusted and turn the knob to "LOW".
2. As in the preceding procedure, remove the knob and insert a screwdriver into the valve shaft.
3. Turn the adjustment screw until the flame is appropriate for a LOW setting.
4. Replace the knob.
5. Repeat for each of the other burners.

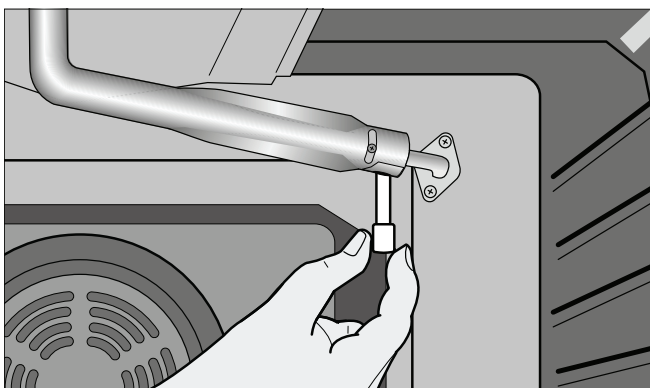
For gas range conversions, continue to "Adjust Broil Burner Orifice". For dual-fuel ranges, continue to "Test the Installation".

Adjust Broil Burner Orifice

1. Remove oven door (See section "Removing Oven Door" in Use and Care Manual).
2. Remove Broil Burner Assembly. The broil burner assembly is attached to the top of the oven cavity with 5 screws. Remove screws and gently pull broil burner assembly straight out being careful not to detach electrical wires. Place broil burner against back wall of oven cavity.
3. Use 1/2 inch (13 mm) wrench to remove the natural gas orifice and install the separate LP gas orifice provided. The orifice is located inside the oven cavity at the top right (visible with burner assembly removed.)



4. Use a Phillips head screwdriver to loosen the screw in broil burner air shutter. Once loosened, take the LP conversion jig and place the THINNEST cylinder into the air shutter. Turn air shutter until it fits tightly against the pin. Tighten the Phillips screw in the air shutter and remove the LP conversion jig. **DO NOT LEAVE LP CONVERSION JIG IN AIR SHUTTER**



Note: The air shutter on the broil burner fits over the orifice when installed correctly.

Adjust Bake Burner Orifice

The bake burner orifice is located below the air shutter (See Figure 3). Reach it through the access hole in the interior back panel of the warming drawer cavity.

1. Use a 1/2" wrench to turn orifice clockwise until it stops (2 1/2 - 3 turns). Unlike the broil burner orifice, the bake burner orifice should be tightened as far as it will go in order to ensure that complete conversion has occurred.

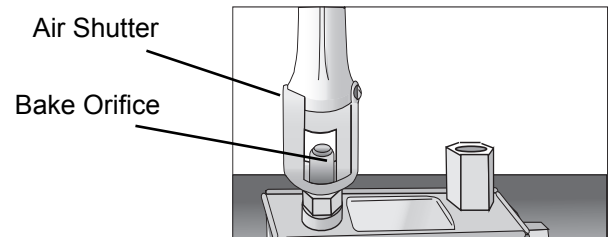
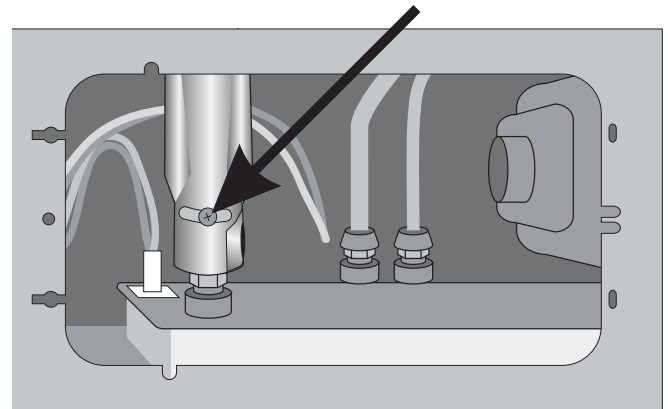


Figure 3: Bake Burner Orifice Adjustment

2. Use a Phillips head screwdriver to loosen the screw in the bake burner air shutter. Once loosened, turn the air shutter to its widest position (see figure below). Tighten the Phillips head screw in the air shutter.



Test the Installation

Test for Gas Leaks

⚠ CAUTION

Never check for leaks with a flame.

Leak testing is to be conducted by the installer according to the instructions given in this section.

Apply Leak Detection Fluid

Turn on gas. Apply a non-corrosive leak detection fluid to all joints and fittings in the gas connection between the shutoff valve and the range. Include gas fittings and joints in the range if connections may have been disturbed during installation. **Bubbles appearing around fittings and connections indicate a leak.**

If a leak appears, turn off supply line gas shutoff valve and tighten connections. Retest for leaks by reapplying a non-corrosive leak detection fluid and then turn on the supply line gas shutoff valve. When leak check is complete (no bubbles appear), test is complete. Wipe off all detection fluid residue.

Do not continue to the next step until all leaks are eliminated.

Test Electric Ignition

Turn on power at breaker.

Caution: If the display flashes and beeps, the polarity of the wiring may be reversed. Reversed polarity can damage the range and can be an electrical shock hazard. Immediately switch off power at the breaker and return to installation instructions.

Test Cooktop Burners

Each burner must be tested for proper lighting, proper flame characteristics on the low setting and proper flame characteristics on the high setting.

Test for Proper Ignition

1. Push down and turn the knob to ignition symbol.
2. Verify that the ignitor/spark module clicks.
3. Once the air has been purged from the supply lines, verify that the burner lights within four (4) seconds. After burner lights, turn knob to the off position.
4. Test each rangetop burner in this fashion. Call Service if any of the burners do not light.

Test Flame Characteristics on the Low Setting

1. Push in and turn the knob to the ignition symbol until the burner ignites.
2. Turn knob to the low setting.
3. Verify that the burner maintains a minimum, steady, flame without going out. The flame should not lift or blow off of the burner. It should carry over, or surround, the entire burner.
4. Verify that the flame is the right color. It should be blue with an inner and outer cone. See Figure 4 “*Checking Flame Characteristics*” for more information.
5. Test each rangetop burner in this fashion. If any flame goes out, does not carry over properly or is too large, contact Service.

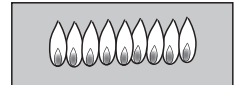
Test Flame Characteristics on the High Setting

1. Push in and turn the knob to the ignitor symbol until the burner ignites.
2. Turn knob to the high setting.
3. Verify that the burner maintains a steady flame. The flame should not lift or blow off of the burner. It should carry over, or surround, the entire burner.
4. Verify that the flame is the right color. It should be blue with an inner and outer cone. See Figure 4: “*Checking Flame Characteristics*” for more information.
5. Test each rangetop burner in this fashion.

If any flame goes out, does not carry over properly or is too large, contact Service.

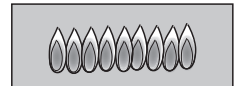
Yellow Flames:

Further adjustment is required.



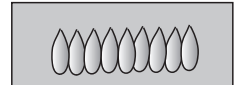
Yellow Tips on Outer Cones:

Normal for LP Gas.



Soft Blue Flames:

Normal for Natural Gas.



If the flame is completely or mostly yellow, verify that the regulator is set for the correct fuel. After adjustment, retest.

Some yellow streaking is normal during the initial start-up. Allow unit to operate 4-5 minutes and re-evaluate before making adjustments.

Figure 4: Checking Flame Characteristics

If any flame does not carry over properly, adjust the bypass jet. Return to “Convert Cooktop Valves for Propane Use” on page 5. If any flame burns yellow, contact Service.

Dual Fuel appliance installation is complete when correct color, carryover and size are verified on each cooktop burner.

For gas appliances, continue to “Test Broil Burner”.

Test Broil Burner

Test Ignition

Set cooking mode to Hi Broil. The burner will ignite after 30-75 seconds.

Test Flame

Verify that flame characteristics are as shown in Figure 4 “Checking Flame Characteristics”. If flame characteristics are not consistent with those in the graphic above, adjust the flame as described below. Otherwise, continue to “Test Bake Burner”.

Adjust Broil Flame (if necessary)

Adjust the air shutter to alter the flame characteristics. The air shutter is located on the back end of the broil burner.

1. Loosen screw and turn shutter. Close the shutter if the flame is lifting or blowing or not carrying over; open the shutter if it is too yellow. (See Figure 5). Tighten screw.

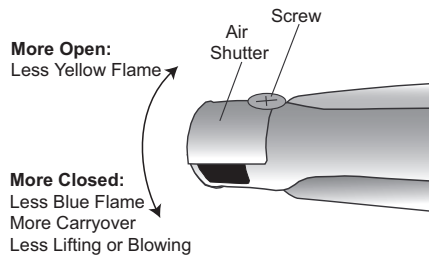


Figure 5: Broil Air Shutter Adjustment

Test Bake Burner

Test Ignition

Set the oven to bake at 350° F (176.67°C). After 30-75 seconds, the burner will ignite. The burner will stay lit until the 350° F (176.67°C) is reached and then shut off. From this point forward, the burner will cycle on and off to maintain the temperature.

Test Flame

Verify that flame characteristics are as shown in Figure 4 “Checking Flame Characteristics”. If flame characteristics are not consistent with those in the graphic above, adjust flame as described below.

Adjust Bake Flame (if necessary)

Adjust the air shutter to alter the flame characteristics. The oven burner air shutter is located to the left of the oven regulator. Reach it through the access hole in the interior back panel of the warming drawer

1. Loosen screw and turn shutter. Close the shutter if the flame is lifting or blowing or not carrying over; open the shutter if it is too yellow. (See Figure 6). Tighten screw.

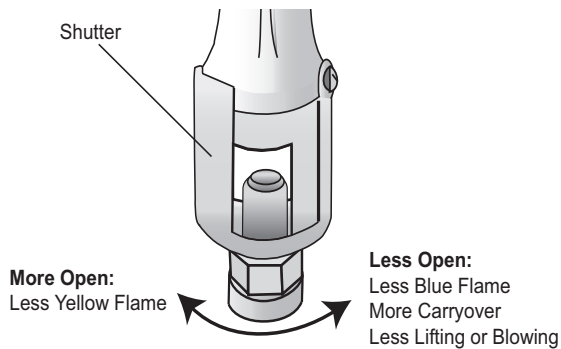


Figure 6: Bake Air Shutter Adjustment

Call Service if:

1. Any of the burners do not light.
2. The broil burner or bake burner does not stay lit.
3. The bake burner does not cycle.

Service

Before Calling Service

See Use and Care Manual for troubleshooting information. Refer to the Statement of Limited Product Warranty in the Use and Care Manual.

To reach a service representative, see the contact information at the front of the manual. Please be prepared with the information printed on your product rating label when calling.

Rating Label

The rating label shows the model and serial number. Refer to the rating label on the appliance when requesting service. The rating label is located on the back side of the drawer front. Open the drawer to see it.

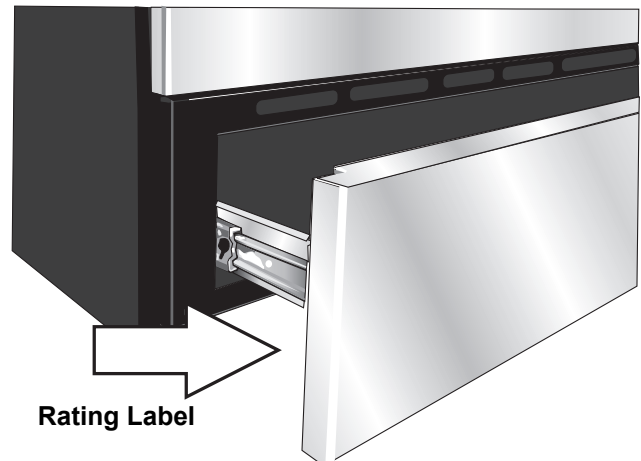


Table des matières

Définitions concernant la sécurité	1
IMPORTANTES CONSIGNES DE SÉCURITÉ	2
Conversion	3
Avant de commencer	3
Marche à suivre	4
Tester l'installation	7
Dépannage	9
Avant d'appeler le service de dépannage	9

Cet appareil électroménager Bosch est fabriqué par
BSH Home Appliances, Corporation
1901 Main Street, Suite 600
Irvine, CA 92614

Questions?

1-800-944-2904

www.bosch-home.com/us

Il nous fait toujours plaisir de recevoir vos commentaires!

Définitions concernant la sécurité

⚠ AVERTISSEMENT

Ceci indique que le non-respect de cet avertissement peut entraîner des blessures graves, voire la mort.

⚠ ATTENTION

Ceci indique que le non-respect de cet avertissement peut entraîner des blessures légères ou modérées.

AVIS : Ceci indique que la non-conformité à cet avis de sécurité peut entraîner des dégâts à l'appareil ou matériels.

Remarque : Ceci vous avertit que d'importantes informations et/ou conseils sont fournis.

AVERTISSEMENT :

Si les informations de ce manuel ne sont pas suivies à la lettre, un incendie ou une explosion peuvent se produire entraînant des dommages matériels, des lésions corporelles ou la mort.

- **Ne pas ranger ou utiliser de matériaux combustibles, d'essence ou d'autres liquides et vapeurs inflammables à proximité de cet appareil ou d'aucun autre appareil.**

- **QUE FAIRE SI VOUS SENTEZ UNE ODEUR DE GAZ**
 - **Ne tentez pas d'allumer un appareil, quel qu'il soit.**
 - **Ne touchez à aucun interrupteur électrique.**
 - **N'utilisez pas les téléphones de votre immeuble.**
 - **Téléphonez immédiatement à votre fournisseur de gaz de chez un voisin. Suivez les instructions du fournisseur de gaz.**
 - **Si vous ne parvenez pas à joindre votre fournisseur de gaz, appelez le service d'incendie.**

- **L'installation et les réparations doivent être effectuées par un installateur qualifié, un organisme de service autorisé ou le fournisseur de gaz.**



IMPORTANTES CONSIGNES DE SÉCURITÉ

LIRE ET CONSERVER CES CONSIGNES

Sécurité

⚠ AVERTISSEMENT

Si les informations de ce manuel ne sont pas suivies à la lettre, un incendie ou un choc électrique peuvent se produire entraînant des dommages matériels ou des lésions corporelles.

Importantes consignes de sécurité

- Veuillez lire la notice d'installation avant de commencer la conversion.
- Veuillez lire toutes les instructions avant d'entreprendre la conversion. Conservez les pièces utilisées pour le gaz naturel au cas où vous en auriez besoin pour une conversion éventuelle de l'appareil du gaz propane au gaz naturel.
- Ce nécessaire est utilisé pour convertir les cuisinières bi-énergie et les cuisinières au gaz d'un fonctionnement au gaz naturel à un fonctionnement au gaz propane (LP). Ce nécessaire de conversion ne doit être utilisé qu'avec les cuisinières fabriquées par BSH Home Appliances.
- **ATTENTION** : Lors du raccordement de l'appareil au gaz propane, assurez-vous que le réservoir de gaz propane est doté de son propre régulateur haute pression. De surcroît, la cuisinière possède son propre régulateur de pression. Vérifiez que celui-ci est installé pour l'alimentation en gaz appropriée.
- La pression de gaz maximale entrant dans cet appareil ne doit pas dépasser 14,0 pouces C.E. (colonne d'eau) depuis le régulateur du réservoir de gaz propane.
- Les exigences suivantes doivent être respectées lors des tests réalisés sur le système de tuyauterie d'alimentation :
 - a) L'appareil et son robinet d'arrêt individuel doivent être débranchés du système de tuyauterie d'alimentation en gaz sous des pressions d'essai supérieures à 1/2 lb/po² (3,5 kPa).
 - b) L'appareil doit être isolé du système de tuyauterie d'alimentation en gaz en fermant le robinet d'arrêt manuel individuel lorsque lors de tout essai de pression du système de tuyauterie d'alimentation en gaz, si la pression d'essai est égale ou inférieure à 1/2 lb/po² (3,5 kPa).
- **AVERTISSEMENT** : Ce nécessaire de conversion devra être installé par un organisme de service qualifié conformément aux instructions du fabricant et à tous les codes et exigences en vigueur de l'autorité compétente. Si les informations contenues dans ces instructions ne sont pas suivies à la lettre, un incendie, une explosion ou la production de monoxyde de carbone peuvent se produire, entraînant des dommages matériels, des lésions corporelles ou la mort. L'organisme de service agréé est responsable de l'installation de ce nécessaire de façon appropriée. L'installation n'est pas appropriée ou complète tant que le fonctionnement de l'appareil converti n'a pas été vérifié conformément aux instructions du fabricant fournies avec le nécessaire.
- Installations effectuées dans l'état du Massachusetts :
 - 1) L'installation doit être effectuée par un prestataire qualifié ou titulaire d'une licence, un plombier ou un installateur de gaz qualifié ou titulaire d'une licence octroyée par l'état, la province ou la région où l'appareil est installé.
 - 2) Le robinet d'arrêt doit être pourvu d'une poignée en « T ».
 - 3) Le raccord flexible de gaz ne doit pas mesurer plus de 36 po (914 mm) de long.
- Remarque concernant l'installation en haute altitude : Pour les installations en haute altitude, veuillez vous adresser au service après-vente.

Avertissement issue de la proposition 65 :

Ce produit pourrait contenir un produit chimique reconnu par l'État de la Californie comme cancérigène ou ayant des effets nocifs sur la reproduction. Par conséquent, l'emballage de votre produit pourrait porter l'étiquette suivante, comme requis par la Californie :

AVERTISSEMENT ISSU DE LA PROPOSITION 65 DE L'ÉTAT DE LA CALIFORNIE :



AVERTISSEMENT

Cancer et dommages à la reproduction -
www.P65Warnings.ca.gov

Conversion

Avant de commencer

Outils et pièces nécessaires

- Tournevis à douille de 7 mm avec rallonge de 3 po (76,2 mm)
- Tournevis à pointe à six lobes Torx (T20)
- Clé à molette
- Tournevis à tête plate (1/8 po ou 3,175 mm ou inférieur)
- Tournevis cruciforme Phillips

Pièces comprises

- Instructions du nécessaire de conversion
- Étiquette de conversion
- 7 orifices de gaz propane (LP)
- 1 capuchon d'orifice de brûleur de cuisson au gril (modèles qui fonctionnent entièrement au gaz uniquement)
- Calibre de conversion au gaz propane (LP) (modèles qui fonctionnent entièrement au gaz uniquement)

Remarque : Ce manuel prend en charge deux modèles de cuisinières insérées différents (bi-énergie et au gaz), de sorte que certaines pièces répertoriées peuvent ne pas être présentes s'il ne concerne pas spécifiquement le modèle acheté.

Informations générales

Toujours prévoir une alimentation en gaz adéquate

Cet appareil est réglé à sa sortie de l'usine pour fonctionner au gaz naturel. Utilisez ce nécessaire pour convertir au besoin l'appareil au gaz propane (LP). Observez les consignes suivantes :

Assurez-vous que la cuisinière a été convertie pour une utilisation avec un gaz approprié avant de la faire fonctionner.

Cet appareil est conçu pour fonctionner à une pression de 10 pouces C.E. (colonne d'eau) lorsqu'il est utilisé avec du gaz propane (LP).

Lors de la vérification du bon fonctionnement du régulateur, la pression d'admission doit être supérieure d'au moins 1 pouce à la pression de fonctionnement (collecteur) indiquée ci-dessus. Lors de la conversion à l'utilisation au gaz propane (LP), la pression alimentée au régulateur doit se situer entre 11 et 14 pouces C.E.

Le régulateur de pression situé dans l'entrée du collecteur de la cuisinière doit rester dans la conduite d'alimentation.

Pour brancher la cuisinière sur l'alimentation au gaz, utilisez un raccord de gaz flexible en métal ou un tuyau rigide. Le raccord doit avoir un diamètre intérieur de 1/2 po (12,7 mm) et mesurer 5 pi (1,5 m) de long (Exception : s'il s'agit d'une installation au Massachusetts, le raccord ne doit pas mesurer plus de 3 pi (0,91 m) de long). Au Canada, le raccord doit comporter une paroi métallique unique et ne doit pas mesurer plus de 6 pi (1,8 m) de long.

Préparation

ATTENTION : Fermez le gaz et l'électricité

Avant de procéder à la conversion : fermez l'alimentation en gaz de l'appareil avant de débrancher le courant électrique.

1. Mettez tous les boutons de réglage sur la position « désactivée » (OFF).
2. Fermez le robinet de la bouteille de gaz propane extérieure qui alimente la cuisinière.
3. Débranchez le cordon d'alimentation de la cuisinière de la prise de courant ou mettez le disjoncteur hors tension au boîtier disjoncteurs.

Marche à suivre

Conversion du régulateur de pression de 6 po C.E. à 11 po C.E.

1. Enlevez le tiroir-réchaud. Tirez le tiroir jusqu'à la butée. Face à la cuisinière, relevez la pince de gauche et abaissez la pince de droite. Retirez complètement le tiroir.
2. Enlevez le cache de la paroi arrière intérieure en retirant une seule vis du côté gauche du panneau. Utilisez un tournevis à pointe à six lobes T-20 (Torx)
3. À l'aide d'une clé à molette, retirez le capuchon hexagonal situé sur la partie supérieure du régulateur.
4. Faites sauter la tige en plastique se trouvant dans le capuchon et retournez-la tout en appuyant dessus fermement pour la mettre en place de sorte que les lettres « LP » (et non « NAT ») apparaissent à l'endroit sur la tige.

Remettez l'assemblage capuchon et bouton en place sur la partie supérieure du régulateur en le scellant fermement. Assurez-vous que le ressort est bien en place (voir la figure 1). **NE PAS TROP SERRER.**

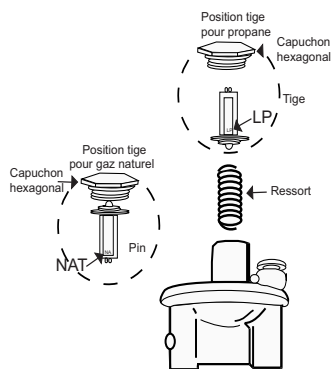


Figure 1 : Régulateur de pression

5. Complétez L'ÉTIQUETTE DE CONVERSION au dos du cache afin qu'elle soit visible à l'arrière de la cuisinière, près du régulateur.

Remplacement des orifices de la table de cuisson

1. Retirez les grilles, les capuchons de brûleurs et les bases de brûleurs. Dévissez deux (2) vis T20 à l'intérieur de chaque base et retirez les bases de brûleurs. Réinsérez les vis dans le support de buse afin que l'ensemble de tuyauterie reste en place.

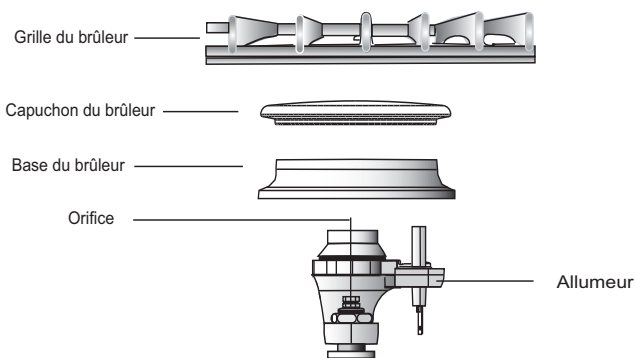
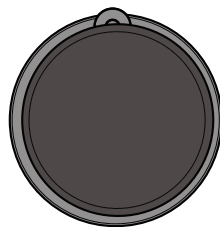


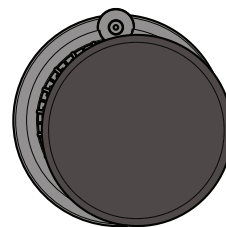
Figure 2 : Brûleurs à gaz scellés

2. Retirez les orifices de la table de cuisson pour le gaz naturel. Insérez le tournevis à douille muni d'une rallonge de 3 po minimum dans les supports de buse pour retirer les orifices existants. Mettez les orifices de gaz naturel de côté.
3. Montez les orifices de la table de cuisson pour le gaz propane. Placez-les dans la table de cuisson exactement comme indiqué sur la carte de l'orifice. L'emplacement peut être déterminé en faisant correspondre la taille de l'orifice au nombre figurant sur la carte.
4. Placez le nouvel orifice dans la douille, puis insérez chaque orifice dans son trou taraudé respectif dans le support de buse. Serrez jusqu'à ce que l'orifice s'arrête de tourner. **NE PAS TROP SERRER.**
5. Retirez les vis placées dans le support de buse pour remettre en place la base du brûleur, le capuchon du brûleur et la grille du brûleur. Remettez les vis en place. **Remarque :** Le capuchon du brûleur doit être correctement installé sur la base du brûleur pour que l'allumage se fasse.

Placement correct des capuchons de brûleur



Placement incorrect des capuchons de brûleur

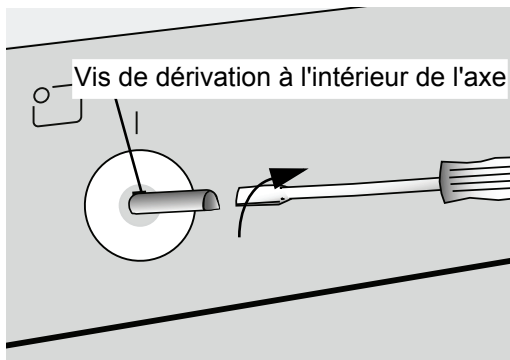


Placement des capuchons de brûleur

6. Conservez les orifices pour gaz naturel pour une reconversion future au gaz naturel.

Conversion des soupapes de la table de cuisson pour l'utilisation avec le gaz propane

1. Vérifiez que tous les boutons sont dans la position désactivée (OFF).
2. Retirez les boutons (tirez dessus directement).
3. Insérez un tournevis à tête plate de 1/8 po (6,3 mm), ou plus petit, dans l'axe et faites tourner la vis de dérivation dans le sens horaire jusqu'à ce qu'elle s'arrête (la vis de dérivation se trouve à l'intérieur de l'axe). NE PAS TROP SERRER.



4. Remettez les boutons en place.

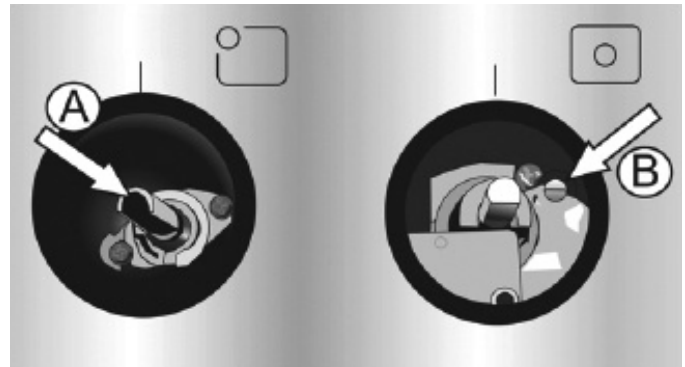
Si votre cuisinière est une cuisinière bi-énergie, la conversion est maintenant terminée. Remettez le cache en place ainsi que le tiroir-réchaud et passez à la section « Tester l'installation », page 7.

Double soupape pour conversion au gaz propane (LP) (certains modèles) :

Certaines tables de cuisson/cuisinières au gaz sont équipées d'un double brûleur central. Le procédé de conversion au gaz propane (LP) varie légèrement pour ces appareils en raison de la soupape double qui est utilisée. Si votre appareil est équipé d'un double brûleur central, veuillez vous référer aux instructions qui suivent pour connaître le procédé adéquat de conversion de ce brûleur au gaz propane (LP).

Conversion des soupapes doubles à l'utilisation du gaz propane

1. Vérifiez que le bouton de réglage du brûleur double se trouve dans la position « désactivée » (OFF).
2. Retirez le bouton (tirez vers le haut).
3. Repérez la vis de dérivation (voir l'illustration ci-dessous). Les tiges de soupape simple sont creuses; la vis de dérivation se situe à l'intérieur de la tige (A). Les soupapes doubles sont dotées d'une vis de réglage (B) sur le logement de la soupape.



4. Pour les soupapes simples, insérez un tournevis à tête plate de 1/8 po (6,3 mm), ou plus petit, dans l'axe et faites tourner la vis de dérivation dans le sens horaire jusqu'à ce qu'elle s'arrête (la vis de dérivation se trouve à l'intérieur de l'axe). NE PAS TROP SERRER. Pour les soupapes doubles, repérez la vis de cuivre près de la tige de soupape. Tournez la vis de dérivation dans le sens horaire jusqu'à ce qu'elle s'arrête. NE PAS TROP SERRER.
5. Remplacez le bouton.

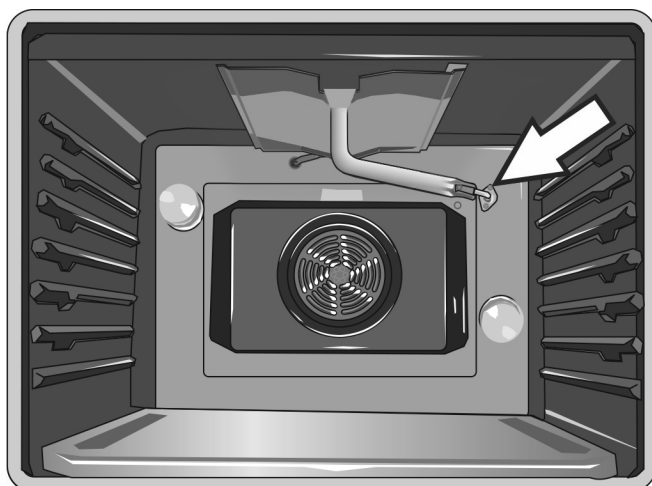
Ajuster le réglage de la flamme basse

1. Avec au moins deux autres brûleurs allumés, allumer le brûleur dont vous voulez ajuster la flamme et tourner le bouton sur « LOW » (Bas).
2. Comme pour la procédure précédente, retirer le bouton et insérer un tournevis dans la tige de la valve.
3. Tourner la vis de réglage jusqu'à ce que la flamme corresponde au réglage Bas.
4. Remettre le bouton en place.
5. Répéter cette opération pour chacun des autres brûleurs.

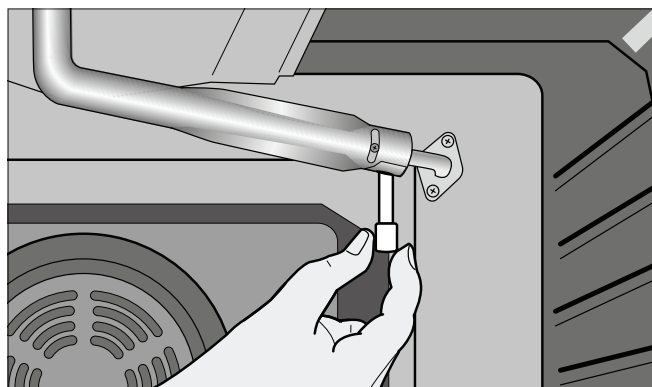
Pour la conversion des cuisinières à gaz, continuez à la section « Ajuster l'orifice du brûleur du grill ». Pour les cuisinières bi-énergie, continuez à la section « Tester l'installation ».

Ajuster l'orifice du brûleur du grill

1. Retirez la porte du four (Voir la section « *Démontage de la porte du four* » dans le Manuel d'utilisation et d'entretien).
2. Retirez l'assemblage du brûleur du grill. L'assemblage du brûleur du grill est fixé sur la voûte de la cavité du four moyennant 5 vis. Enlevez les vis et tirez l'assemblage du brûleur du grill sans forcer et en ayant soin de ne pas déconnecter les fils électriques. Mettez le brûleur du grill contre la paroi arrière de la cavité du four.
3. Utilisez une clé de 1/2 po (13 mm) pour retirer l'orifice pour gaz naturel et installer l'orifice pour gaz propane (LP) séparé fourni à cet effet. L'orifice se trouve à l'intérieur de la cavité du four du côté supérieur droit (visible lorsque l'assemblage de brûleur a été retiré.)



4. Utilisez un tournevis cruciforme Phillips pour desserrer la vis du volet d'air du brûleur du grill. Une fois la vis desserrée, prenez le calibre de conversion au gaz propane (LP) et placez le cylindre LE PLUS MINCE à l'intérieur du volet d'air. Faites tourner le volet d'air jusqu'à ce qu'il soit bien en butée contre la goupille. Serrez la vis Phillips dans le volet d'air et retirez le calibre de conversion au gaz propane (LP). **NE PAS LAISSER LE CALIBRE DE CONVERSION AU GAZ PROPANE DANS LE VOLET D'AIR**



Remarque : Lorsqu'il est correctement installé, le volet d'air du brûleur du grill est positionné par dessus l'orifice.

Ajuster l'orifice du brûleur de cuisson au four

L'orifice du brûleur de cuisson au four est situé sous le volet d'air (voir la figure 3). Pour l'atteindre, il faut passer par le trou d'accès pratiqué sur le panneau arrière intérieur de la cavité du tiroir-réchaud.

1. Utilisez une clé de 1/2 po (13 mm) pour faire tourner l'orifice dans le sens horaire jusqu'à ce qu'il s'arrête (2 tours 1/2 à 3 tours). Contrairement à l'orifice du brûleur du grill, l'orifice du brûleur de cuisson au four doit être serré au maximum afin d'assurer que la conversion se fait complètement.

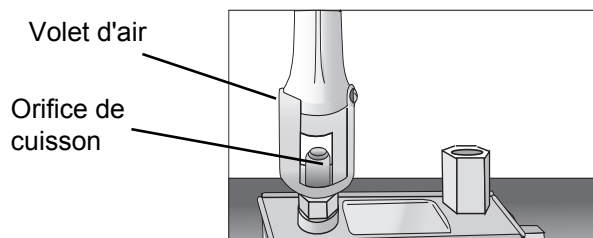
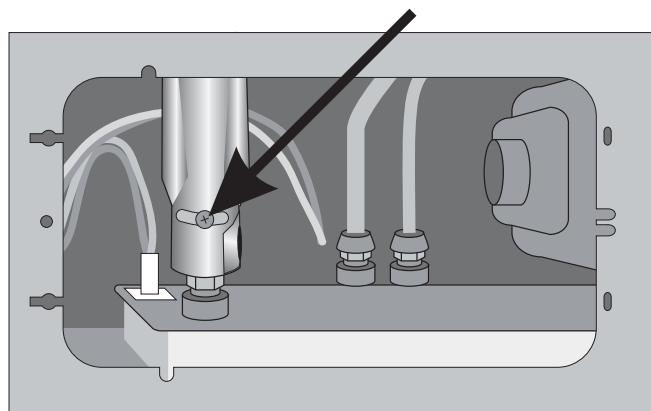


Figure 3 : Ajuster l'orifice du brûleur de cuisson au four

2. Utilisez un tournevis cruciforme pour desserrer la vis dans l'obturateur d'air du brûleur de cuisson au four. Une fois l'obturateur d'air desserré, tournez-le vers sa position la plus écartée (voir la figure ci-dessous). Serrez la vis à empreinte cruciforme Phillips dans l'obturateur d'air.



Tester l'installation

Vérifier la présence de fuites de gaz

⚠ ATTENTION

Ne jamais vérifier la présence de fuites à l'aide d'une flamme.

La vérification doit être effectuée par l'installateur conformément aux instructions de cette section.

Appliquer un liquide de détection des fuites

Ouvrez le gaz. Appliquez un liquide de détection des fuites non corrosif sur tous les joints et raccords de la connexion de gaz entre le robinet d'arrêt et la cuisinière. Inclure les joints et raccords de gaz de l'appareil si les connexions ont été perturbées pendant l'installation. **Des bulles autour des raccords et connexions indiquent la présence d'une fuite.**

S'il y a une fuite, fermez le robinet d'arrêt de gaz du tuyau d'alimentation et serrez les connexions. Effectuez un autre test en cas de fuites en appliquant de nouveau un liquide non corrosif de détection des fuites, puis ouvrez le robinet d'arrêt de gaz du tuyau d'alimentation. Une fois la vérification terminée (il n'y a plus de bulles), le test est terminé. Essuyez tout résidu provenant du liquide de détection.

Ne pas passer à l'étape suivante tant que toutes les fuites ne sont pas éliminées.

Tester l'allumage électrique

Remettre en service l'alimentation électrique au disjoncteur.

Attention: Si l'affichage clignote et émet un signal sonore, la polarité du câblage risque d'être inversée. Une polarité inverse risque d'endommager la cuisinière et peut constituer un risque de choc électrique. Coupez immédiatement le courant au disjoncteur et reprenez la notice d'installation.

Tester les brûleurs de la table de cuisson

Chaque brûleur doit être testé pour vérifier le bon fonctionnement de l'allumage, les caractéristiques appropriées de la flamme à faible intensité et les caractéristiques appropriées de la flamme à haute intensité.

Tester le bon fonctionnement de l'allumage

1. Enfoncez et tournez le bouton vers le symbole d'allumage.
2. Vérifiez que le module allumeur/à étincelles fait des bruits de cliquetis.
3. Une fois que l'air a été purgé des tuyaux d'alimentation, vérifiez que le brûleur s'allume dans un délai de quatre (4) secondes. Une fois le brûleur allumé, tournez le bouton dans la position désactivée (OFF).
4. Testez chaque brûleur de la cuisinière de la même manière. Appelez un service de dépannage si un brûleur quelconque ne s'allume pas.

Tester les caractéristiques de la flamme à faible intensité

1. Enfoncez et tournez le bouton vers le symbole d'allumage jusqu'à ce que le brûleur s'allume.
2. Réglez le bouton sur faible intensité.
3. Vérifiez que le brûleur maintient une flamme minimum régulière sans s'éteindre. La flamme du brûleur ne doit pas s'élever ni s'éteindre. Elle doit envelopper ou encercler entièrement le brûleur.
4. Vérifier que la flamme est de la couleur appropriée. Elle doit être bleue avec un cône intérieur et extérieur. Pour de plus amples informations, voir la figure 4 « *Vérification des caractéristiques de la flamme* ».
5. Testez chaque brûleur de la cuisinière de la même manière. Si une flamme s'éteint, si elle n'enveloppe pas le brûleur ou si elle est trop haute, veuillez communiquer avec le service de dépannage.

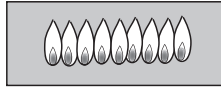
Tester les caractéristiques de la flamme à haute intensité

1. Enfoncez et tournez le bouton vers le symbole de l'allumeur jusqu'à ce que le brûleur s'allume.
2. Réglez le bouton sur haute intensité.
3. Vérifiez que le brûleur maintient une flamme régulière. La flamme du brûleur ne doit pas s'élever ni s'éteindre. Elle doit envelopper ou encercler entièrement le brûleur.
4. Vérifier que la flamme est de la couleur appropriée. Elle doit être bleue avec un cône intérieur et extérieur. Voir la figure 4 : Pour de plus amples informations, voir « *Vérification des caractéristiques de la flamme* ».
5. Testez chaque brûleur de la cuisinière de la même manière.

Si une flamme s'éteint, si elle n'enveloppe pas le brûleur ou si elle est trop haute, veuillez communiquer avec le service de dépannage.

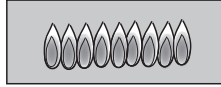
Flammes jaunes :

Réglage supplémentaire requis.



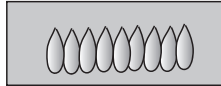
Pointes jaunes au niveau des cônes extérieurs :

Normal pour du gaz propane (LP).



Douces flammes bleues :

Normal pour du gaz naturel.



Si la flamme est entièrement jaune ou presque, vérifier que le régulateur est réglé pour le combustible approprié. Après le réglage, refaire le test.

Il est normal que la flamme présente des raies jaunes pendant la mise en marche initiale. Laissez l'appareil fonctionner pendant 4 à 5 minutes et vérifiez de nouveau avant d'effectuer d'autres réglages.

Figure 4 : Vérification des caractéristiques de la flamme

Si une flamme n'enveloppe pas le brûleur correctement, réglez la buse de dérivation. Revenir à « Conversion des soupapes de la table de cuisson pour l'utilisation avec le gaz propane », page 5. Si une flamme est jaune, veuillez communiquer avec le service de dépannage.

L'installation de l'appareil bi-énergie est terminée lorsqu'on aura vérifié que chaque brûleur de la table de cuisson produit une flamme dont la couleur, la propagation et la taille sont appropriées.

Pour les appareils à gaz, continuez à la section « Tester le brûleur du gril ».

Tester le brûleur du gril

Tester l'allumage

Réglez le mode de cuisson sur Hi Broil (Grillage élevé). Le brûleur s'allumera au bout de 30 à 75 secondes.

Tester la flamme

Vérifiez que les caractéristiques de la flamme correspondent à celles de la figure 4 « Vérifier les caractéristiques de la flamme ». Si les caractéristiques de la flamme ne correspondent pas à celles du graphique ci-dessus, réglez la flamme comme décrit ci-dessous. Autrement, continuez à la section « Tester le brûleur de cuisson au four ».

Régler la flamme du brûleur du gril (si nécessaire)

Réglez le volet d'air pour modifier les caractéristiques de la flamme. Le volet d'air est situé au dos du brûleur du gril.

1. Desserrez la vis et faites tourner le volet. Fermez le volet si la flamme se soulève ou si elle est irrégulière ou encore si elle n'enveloppe pas le brûleur; ouvrez le volet si elle est trop jaune. (Voir la figure 5). Serrez la vis.

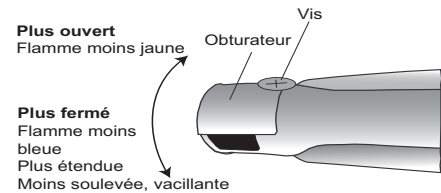


Figure 5 : Réglage du volet d'air du brûleur du gril

Tester le brûleur de cuisson au four

Tester l'allumage

Réglez le four sur Bake (Cuisson au four) à 350° F (176,67°C). Le brûleur s'allumera au bout de 30 à 75 secondes. Le brûleur restera allumé jusqu'à ce que la température de 350° F (176,67°C) soit atteinte, puis s'éteindra. À partir de ce moment là, le brûleur s'allume et s'éteint de manière cyclique afin de maintenir la température.

Tester la flamme

Vérifiez que les caractéristiques de la flamme correspondent à celles de la figure 4 « Vérifier les caractéristiques de la flamme ». Si les caractéristiques de la flamme ne correspondent pas à celles du graphique ci-dessus, réglez la flamme comme décrit ci-dessous.

Réglez la flamme de cuisson au four (si nécessaire)

Réglez le volet d'air pour modifier les caractéristiques de la flamme. Le volet d'air du brûleur du four est situé sur la gauche du régulateur du four. Pour l'atteindre, il faut passer par le trou d'accès pratiqué sur le panneau arrière intérieur du tiroir-réchaud.

1. Desserrez la vis et faites tourner le volet. Fermez le volet si la flamme se soulève ou si elle est irrégulière ou encore si elle n'enveloppe pas le brûleur; ouvrez le volet si elle est trop jaune. (Voir la figure 6). Serrez la vis.

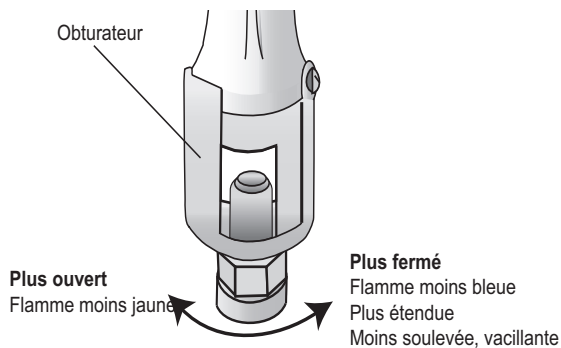


Figure 6 : Réglage du volet d'air du brûleur de cuisson au four

Appelez un service de dépannage si :

1. Un quelconque brûleur ne s'allume pas.
2. Le brûleur du gril ou le brûleur de cuisson au four ne reste pas allumé.
3. Le brûleur de cuisson au four ne s'allume et ne s'éteint pas de manière cyclique comme il se doit.

Dépannage

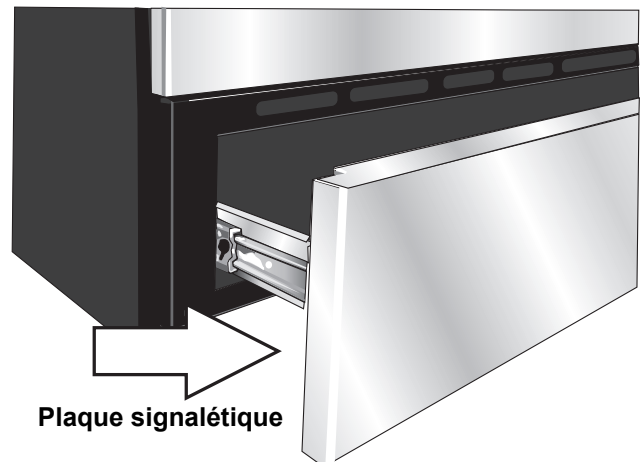
Avant d'appeler le service de dépannage

Voir le Guide d'utilisation et d'entretien pour obtenir des informations concernant le dépannage. Consultez l'Énoncé de garantie limitée du produit dans le Manuel d'utilisation et d'entretien.

Pour joindre un technicien de dépannage, consultez les coordonnées sur la couverture avant du manuel. Lorsque vous téléphonez, soyez prêt à fournir les informations imprimées sur la plaque signalétique de votre produit.

Plaque signalétique du produit

La plaque signalétique comporte le numéro de modèle et le numéro de série. Se reporter à la plaque signalétique de l'appareil électroménager pour faire une demande de dépannage. La plaque signalétique se trouve au dos de la façade du tiroir. Ouvrez le tiroir pour la voir.



Índice

Definiciones de seguridad	1
INSTRUCCIONES DE SEGURIDAD IMPORTANTES ..	2
Conversión	3
Antes de comenzar	3
Procedimiento	4
Pruebe la instalación	7
Servicio técnico	9
Antes de llamar al Servicio técnico	9

Este electrodoméstico de Bosch es fabricado por
BSH Home Appliances Corporation
1901 Main Street, Suite 600
Irvine, CA 92614

¿Tiene preguntas?

1-800-944-2904

www.bosch-home.com/us

¡Esperamos recibir sus comentarios!

Definiciones de seguridad

⚠ ADVERTENCIA

Esto indica que pueden producirse la muerte o lesiones graves como resultado de la falta de cumplimiento de esta advertencia.

⚠ PRECAUCIÓN

Esto indica que pueden producirse lesiones menores o moderadas como resultado de la falta de cumplimiento de esta advertencia.

AVISO: Esto indica que pueden producirse daños al electrodoméstico o a materiales como resultado de la falta de cumplimiento de esta recomendación.

Nota: Esto le avisa sobre información y/o consejos importantes.

ADVERTENCIA:

Si no sigue la información de este manual exactamente, se puede ocasionar un incendio o una explosión que pueden causar daños materiales, lesiones personales o la muerte.

- **No almacene ni utilice materiales combustibles, gasolina ni otros vapores y líquidos inflamables cerca de este electrodoméstico ni de cualquier otro.**

- **QUÉ DEBE HACER SI SIENTE OLOR A GAS**
 - **No intente encender ningún electrodoméstico.**
 - **No toque ningún interruptor eléctrico.**
 - **No use ningún teléfono en su edificio.**
 - **Llame inmediatamente a su proveedor de gas desde el teléfono de un vecino. Siga las instrucciones del proveedor de gas.**
 - **Si no puede comunicarse con su proveedor de gas, llame al departamento de bomberos.**

- **La instalación y el servicio técnico deben ser realizados por un instalador calificado, una agencia de servicio técnico autorizada o el proveedor de gas.**



INSTRUCCIONES DE SEGURIDAD IMPORTANTES

LEA Y CONSERVE ESTAS INSTRUCCIONES

Seguridad

ADVERTENCIA

Si no sigue exactamente la información de este manual, se pueden producir un incendio o una descarga que pueden causar daños materiales o lesiones personales.

.Instrucciones de seguridad importantes

- Lea las Instrucciones de instalación antes de comenzar la conversión.
- Lea todas las instrucciones antes de continuar. Conserve las piezas de gas natural para una posible conversión de gas licuado del petróleo (liquefied petroleum, LP) a gas natural nuevamente en el futuro.
- Este kit se utiliza para convertir estufas de dos combustibles y estufas de gas de una operación con gas natural a una operación con gas propano (LP). Este kit de conversión se debe utilizar únicamente con estufas fabricadas por BSH Home Appliances.
- **PRECAUCIÓN:** Al conectar la unidad al gas propano, asegúrese de que el tanque de gas propano venga equipado con su propio regulador de presión alta. Además, la estufa tiene su propio regulador de presión. Verifique que esté instalada para el suministro de gas adecuado.
- La máxima presión de gas a este electrodoméstico no debe superar las 14.0 pulgadas de columna de agua (water column, W.C.) del regulador del tanque de gas propano.
- Se deben cumplir los siguientes requisitos al probar el sistema de tuberías de suministro:
 - a) El electrodoméstico y su válvula de paso individual deben estar desconectados del sistema de tuberías de suministro de gas en presiones de prueba superiores a 1/2 psig (3.5 kPa).
 - b) Se debe aislar el electrodoméstico del sistema de tuberías de suministro de gas cerrando la válvula de paso manual individual durante cualquier prueba de presión del sistema de tuberías de suministro de gas con presiones de prueba iguales o inferiores a 1/2 psig (3.5 kPa).
- **ADVERTENCIA:** Este kit de conversión deberá ser instalado por una agencia de Servicio técnico calificada, de acuerdo con las instrucciones del fabricante y con todos los códigos y requisitos aplicables de la autoridad que tenga jurisdicción. Si la información que se encuentra en estas instrucciones no se cumple con exactitud, es posible que se produzca un incendio, una explosión o emisión de monóxido de carbono, lo que provocaría daños materiales, lesiones personales o la muerte. La agencia de Servicio técnico calificada es responsable de la instalación adecuada de este kit. La instalación no es adecuada y no está completa hasta tanto se verifique la operación del electrodoméstico convertido, según lo especificado en las instrucciones del fabricante suministradas con el kit.
- Para instalaciones en Massachusetts:
 - 1) La instalación debe ser realizada por un contratista calificado o con licencia, un plomero o gasista calificado o con licencia otorgada por el estado, la provincia o la región donde se instale este electrodoméstico.
 - 2) La válvula de paso debe tener una llave de gas con mango en "T".
 - 3) El conector de gas flexible no debe medir más de 36 pulgadas.
- Nota para la instalación a altas altitudes: Para obtener información sobre instalaciones a altas altitudes, consulte a Servicio al cliente.

Advertencia en virtud de la Proposición 65:

Este producto puede contener un químico que el Estado de California reconoce como potencialmente cancerígeno o causante de daños reproductivos. Por tanto, su producto debe llevar en su embalaje la siguiente etiqueta de conformidad con la legislación de California:

ADVERTENCIA EN VIRTUD DE LA PROPOSICIÓN 65 DEL ESTADO DE CALIFORNIA:

 **ADVERTENCIA**

Cáncer y daño reproductivo - www.P65Warnings.ca.gov

Conversión

Antes de comenzar

Herramientas y piezas necesarias

- Destornillador llave de 7 mm con una extensión de 3 pulg.
- Destornillador con cabeza Torx (T20).
- Llave ajustable.
- Destornillador con cabeza plana (de 1/8 pulg. o más pequeño).
- Destornillador con cabeza Phillips.

Piezas incluidas

- Instrucciones del kit de conversión.
- Adhesivo de conversión.
- 7 orificios para LP.
- 1 campana para el orificio para asar con calor directo (únicamente para los modelos que son totalmente de gas).
- Dispositivo de montaje para la conversión a LP (únicamente para los modelos que son totalmente de gas).

Nota: Este manual sirve para dos modelos de SIR distintos (dos combustibles y gas); por ende, es posible que algunas de las piezas mencionadas no estén presentes si no son pertinentes al modelo adquirido.

Información general

Siempre proporcione un suministro de gas adecuado

Este electrodoméstico se envía de fábrica para su uso con gas natural. De ser necesario, utilice este kit para convertir el electrodoméstico para su uso con gas LP. Respete lo siguiente:

Asegúrese de que se haya convertido la estufa para su uso con el gas adecuado antes de utilizarla.

Este electrodoméstico está diseñado para operar a una presión de 10 pulg. de columna de agua cuando se utiliza con gas LP.

Al verificar que el regulador esté operando en forma adecuada, la presión de entrada debe ser, al menos, 1 pulg. mayor que la presión operativa (admisión) mencionada anteriormente. Al convertir la estufa para su uso con gas LP, la presión suministrada al regulador debe ubicarse entre 11 pulg. y 14 pulg. de columna de agua.

El regulador de presión ubicado en la entrada de la admisión de la estufa debe permanecer en la línea de suministro.

Utilice un conector flexible de metal del electrodoméstico o una tubería rígida para conectar la estufa al suministro de gas. El conector debe tener un diámetro interno de 1/2 pulg. y 5 ft de longitud (excepción: la longitud máxima de los conectores en las instalaciones de Massachusetts es de 3 ft). En Canadá, el conector debe ser simple, de metal y debe tener una longitud máxima de 6 ft.

Preparación

PRECAUCIÓN: Apague el gas y la electricidad.

Antes de continuar con la conversión, interrumpa el suministro de gas al electrodoméstico antes de desconectar la alimentación eléctrica.

1. Coloque todas las perillas de control en la posición de apagado.
2. Cierre la válvula de gas externa del tanque de propano a la estufa.
3. Retire el cable de alimentación de la estufa de la toma de corriente eléctrica o apague el disyuntor en la caja de disyuntores.

Procedimiento

Cómo convertir el regulador de presión de 6 pulg. de W.C. a 11 pulg. de W.C.

1. Retire el cajón calentador; jale el cajón hasta alcanzar el tope. Empuje hacia arriba el sujetador que se encuentra del lado izquierdo mirando hacia la estufa y el sujetador que se encuentra del lado derecho hacia abajo. Jale el cajón hasta retirarlo por completo.
2. Retire la placa de la cubierta de la pared trasera interior quitando el único tornillo que se encuentra del lado izquierdo del panel. Utilice un destornillador con cabeza Torx T-20.
3. Retire la tapa hexagonal de la parte superior del regulador con una llave ajustable.
4. Haga saltar el vástago de plástico en la tapa y dele vuelta presionándolo firmemente en su lugar de modo que puedan verse las letras "LP" (en lugar de "NAT") en el vástago.

Vuelva a colocar el conjunto de tapa y botón en la parte superior del regulador, y séllelo firmemente. Asegúrese de que el resorte todavía esté en su lugar (consulte la Fig. 1). **NO LOS AJUSTE EN EXCESO.**

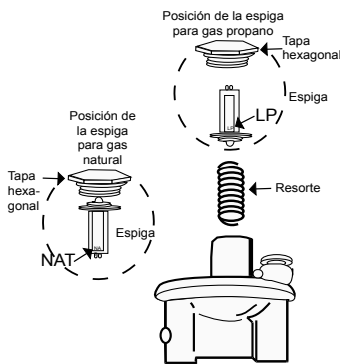


Figura 1: Regulador de presión

5. Llene y coloque el ADHESIVO DE CONVERSIÓN en la parte trasera de la placa de la cubierta de modo que aparezca en el lado trasero de la estufa al lado del regulador.

Cómo volver a colocar los orificios de la placa

1. Retire las rejillas, las tapas de las hornillas y las bases de las hornillas.
Desatornille dos (2) tornillos T20 dentro de cada base

y retire las bases de las hornillas. Vuelva a insertar los tornillos en el sostén de la salida para sostener el conjunto de tubos en su lugar.

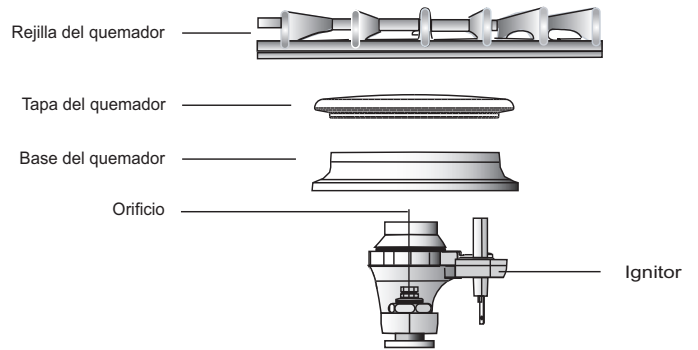
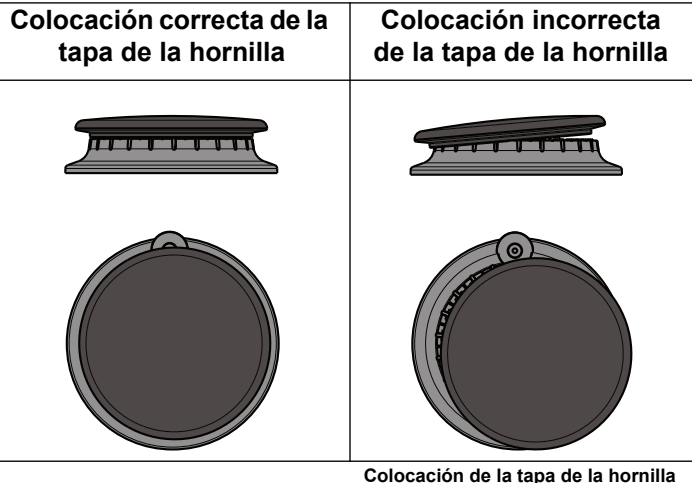


Figura 2: Hornillas de gas selladas

2. Retire los orificios de la placa de gas natural. Introduzca el destornillador llave con una extensión mínima de 3 pulg. en los sostenes de la salida para retirar los orificios existentes. Separe los orificios de gas natural.
3. Ensamble los orificios de la placa de LP. Colóquelos en la placa exactamente como se especifica en la tarjeta de orificios. La colocación puede determinarse haciendo coincidir el tamaño de orificio con el número en la tarjeta.
4. Coloque el nuevo orificio en el receptáculo; luego, introduzca cada orificio en su respectivo orificio roscado en el sostén de la salida. Ajustelos hasta que los orificios no den más vueltas. **NO LOS AJUSTE EN EXCESO.**
5. Retire los tornillos colocados en el sostén de la salida para volver a colocar la base de las hornillas, la tapa de las hornillas y la rejilla de las hornillas. Vuelva a instalar los tornillos.
Nota: La tapa de la hornilla debe estar posicionada en forma adecuada en la base de la hornilla para que prenda la hornilla.

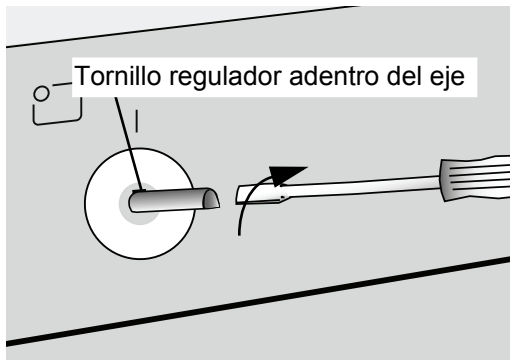


Colocación de la tapa de la hornilla

6. Conserve los orificios de gas natural para una nueva conversión a gas natural en el futuro.

Cómo convertir las válvulas de la placa para el uso con propano

1. Verifique que todas las perillas se encuentren en la posición de apagado.
2. Retire las perillas (empújelas directamente hacia afuera).
3. Introduzca un destornillador con cabeza plana de 1/8 pulg. (o más pequeño) en el eje y gire el tornillo regulador en el sentido de las agujas del reloj hasta que haga tope (el tornillo regulador se encuentra adentro del eje). **NO LO AJUSTE EN EXCESO.**



4. Vuelva a colocar las perillas.

Si su estufa es de dos combustibles, su conversión está completa. Vuelva a colocar la placa de la cubierta y el cajón calentador, y continúe hasta “Pruebe la instalación” en la página 7.

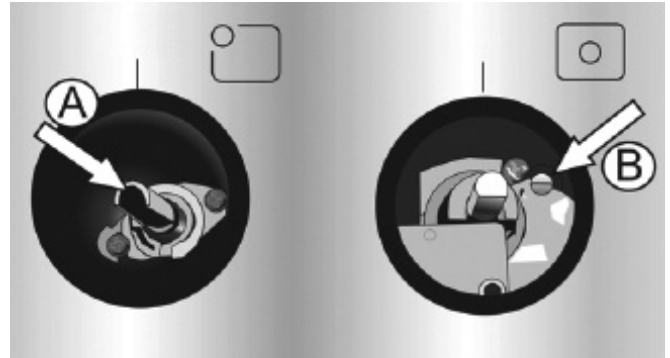
Válvula doble de conversión a gas LP (algunos modelos):

Algunas placas/estufas de gas tienen una hornilla dual en el centro. El proceso de conversión a gas LP varía levemente para estas unidades debido a la válvula doble que se utiliza con estas. Si su unidad tiene una hornilla dual en el centro, consulte las instrucciones a continuación, a fin de conocer el procedimiento adecuado para convertir esa hornilla a gas LP.

Cómo convertir las válvulas dobles para el uso con propano

1. Verifique que la perilla de control de la hornilla dual se encuentre en la posición de apagado.
2. Retire la perilla (empújela directamente hacia afuera).
3. Ubique el tornillo regulador (consulte la ilustración que se encuentra a continuación). Los vástagos de válvula

simple son huecos; el tornillo regulador se encuentra dentro del vástago (A). Las válvulas dobles tienen un tornillo de ajuste de latón (B) en la carcasa de la válvula.



4. Para las válvulas simples, introduzca un destornillador con cabeza plana de 1/8 pulg. (o más pequeño) en el eje y gire el tornillo regulador en el sentido de las agujas del reloj hasta que haga tope (el tornillo regulador se encuentra adentro del eje). **NO LO AJUSTE EN EXCESO.** Para las válvulas dobles, localice el tornillo de latón cerca del vástago de la válvula. Gire el tornillo regulador en el sentido de las agujas del reloj hasta que haga tope. **NO LO AJUSTE EN EXCESO.**
5. Vuelva a colocar la perilla.

Cómo ajustar la programación de llama baja

1. Con, al menos, dos de las otras hornillas encendidas, encienda la hornilla que se debe ajustar y gire la perilla hasta “LOW” (Baja).
2. Al igual que en el procedimiento anterior, retire la perilla e introduzca un destornillador en el eje de la válvula.
3. Gire el tornillo de ajuste hasta que la llama sea adecuada para la programación LOW (Baja).
4. Vuelva a colocar la perilla.
5. Repita el procedimiento para cada una de las demás hornillas.

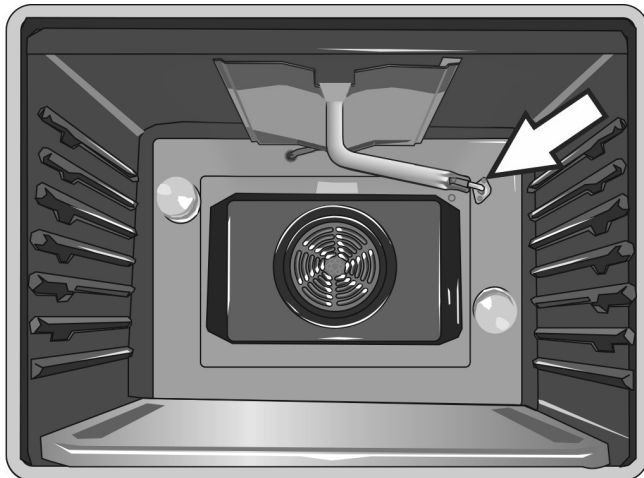
Para las conversiones de las estufas de gas, continúe hasta “Cómo ajustar el orificio de la hornilla para asar con calor directo”. Para las estufas con dos combustibles, continúe hasta “Cómo probar la instalación”.

Cómo ajustar el orificio de la hornilla para asar con calor directo

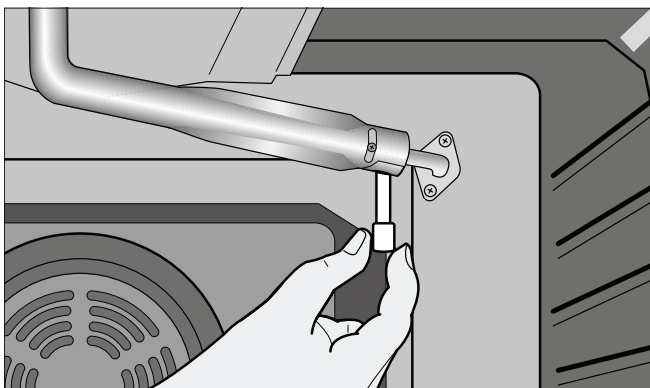
1. Retire la puerta del horno (consulte la sección “Cómo retirar la puerta del horno” en el Manual de uso y cuidado).
2. Retire el conjunto de la hornilla para asar con calor directo. El conjunto de la hornilla para asar con calor directo está acoplado a la parte superior de la cavidad

del horno con 5 tornillos. Retire los tornillos y jale con suavidad el conjunto de la hornilla para asar con calor directo directamente hacia afuera teniendo cuidado de no desconectar los cables eléctricos. Coloque la hornilla para asar con calor directo contra la pared trasera de la cavidad del horno.

3. Utilice una llave de 1/2 pulg. (13 mm) para retirar el orificio de gas natural e instale el orificio de gas LP separado que se proporciona. El orificio está ubicado dentro de la cavidad del horno en la parte superior derecha (visible cuando se retira el conjunto de la hornilla).



4. Utilice un destornillador con cabeza Phillips para aflojar el tornillo en el respiradero de la hornilla para asar con calor directo. Una vez aflojado, tome el dispositivo de montaje de conversión a LP y coloque el cilindro MÁS DELGADO en el respiradero. Gire el respiradero hasta que calce herméticamente contra el pasador. Ajuste el tornillo Phillips en el respiradero y retire el dispositivo de montaje de conversión a LP. **NO DEJE EL DISPOSITIVO DE MONTAJE DE CONVERSIÓN A LP EN EL RESPIRADERO**



Nota: El respiradero de la hornilla para asar con calor directo calza sobre el orificio cuando se instala correctamente.

Cómo ajustar el orificio de la hornilla para hornear

El orificio de la hornilla para hornear se encuentra debajo del respiradero (consulte la Figura 3). Se llega a este a través del orificio de acceso del panel trasero interior de la cavidad del cajón calentador.

1. Utilice una llave de 1/2 pulg. para girar el orificio en el sentido de las agujas del reloj hasta que haga tope (2 1/2-3 vueltas). A diferencia del orificio de la hornilla para asar con calor directo, el orificio de la hornilla para hornear debe ajustarse lo máximo posible, a fin de asegurar que se haya realizado la conversión completa.

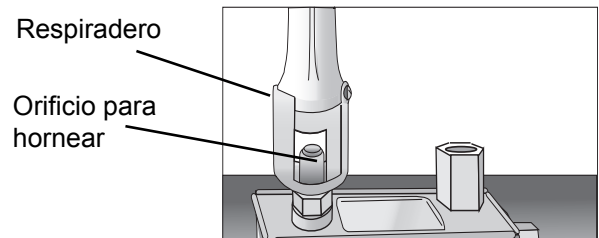
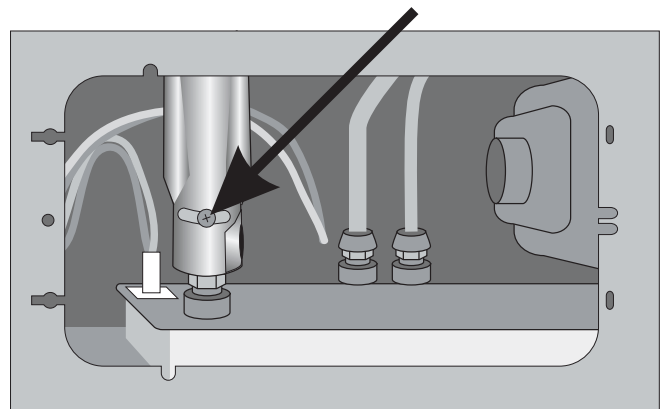


Figura 3: Ajuste del orificio de la hornilla para hornear

2. Utilice un destornillador con cabeza Phillips para aflojar el tornillo en el respiradero de la hornilla para hornear. Una vez que lo haya aflojado, lleve el respiradero a su posición más amplia (consulte la figura que se encuentra a continuación). Ajuste el tornillo con cabeza Phillips en el respiradero..



Pruebe la instalación

Pruebe para detectar fugas de gas.

⚠ PRECAUCIÓN

Nunca verifique la presencia de fugas con una llama.

Las pruebas de detección de fugas deben ser llevadas a cabo por el instalador, de acuerdo con las instrucciones que se proporcionan en esta sección.

Cómo aplicar un fluido de detección de fugas

Encienda el gas. Coloque un líquido de detección de fugas no corrosivo en todas las juntas y los accesorios de la conexión de gas entre la válvula de paso y la estufa. Incluya los conectores de gas y las juntas en la estufa si existe la posibilidad de que se hayan movido las conexiones durante la instalación. **La presencia de burbujas alrededor de los accesorios y las conexiones indica una fuga.**

Si se produce una fuga, apague la válvula de paso de gas de la línea de suministro y apriete las conexiones. Verifique nuevamente que no haya fugas volviendo a aplicar un fluido de detección de fugas no corrosivo y, luego, active la válvula de paso de gas de la línea de suministro. Cuando haya terminado de verificar que no haya fugas (no hay presencia de burbujas), la prueba está completa. Limpie todos los restos de líquido de detección.

No continúe con el siguiente paso hasta que se hayan eliminado todas las fugas.

Cómo probar el encendido eléctrico

Active la alimentación con el disyuntor

Precaución: Si la pantalla titila y emite un pitido, es posible que la polaridad del cableado esté invertida. La polaridad invertida puede dañar la estufa y puede haber un peligro de descarga eléctrica. Desactive de inmediato la alimentación con el disyuntor y vuelva a las instrucciones de instalación.

Cómo probar las hornillas de la placa

Cada hornilla debe probarse para verificar el encendido adecuado, las características adecuadas de la llama en el valor bajo y las características adecuadas de la llama en el valor alto.

Cómo probar el encendido adecuado

1. Empuje hacia abajo la perilla y gírela hasta el símbolo de encendido.
2. Verifique que el módulo del encendedor/de la chispa haga clic.
3. Una vez que se haya purgado el aire de las líneas de suministro, verifique que la hornilla se encienda en el término de cuatro (4) segundos. Después de que se encienda la hornilla, gire la perilla a la posición de apagado.
4. Verifique cada hornilla de la estufa de esta manera. Llame al Servicio técnico si alguna de las hornillas no se enciende.

Cómo probar las características de la llama en el valor bajo

1. Empuje y gire la perilla al símbolo de encendido hasta que se encienda la hornilla.
2. Gire la perilla al valor bajo.
3. Verifique que la hornilla mantenga una llama mínima y constante sin apagarse. La llama no debe levantar la hornilla ni salirse de esta. Debe extenderse sobre toda la hornilla o rodearla.
4. Verifique que la llama tenga el color correcto. Debe ser azul, con un cono interno y externo. Consulte la Figura 4 “*Verificación de las características de la llama*” para obtener más información.
5. Verifique cada hornilla de la estufa de esta manera. Si la llama se extingue, no se extiende en forma adecuada o es demasiado grande, comuníquese con el Servicio técnico.

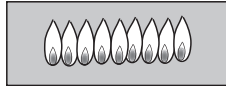
Cómo probar las características de la llama en el valor alto

1. Empuje y gire la perilla al símbolo de encendido hasta que se encienda la hornilla.
2. Gire la perilla al valor alto.
3. Verifique que la hornilla mantenga una llama constante. La llama no debe levantar la hornilla ni salirse de esta. Debe extenderse sobre toda la hornilla o rodearla.
4. Verifique que la llama tenga el color correcto. Debe ser azul, con un cono interno y externo. Consulte la Figura 4: “*Verificación de las características de la llama*” para obtener más información.
5. Verifique cada hornilla de la estufa de esta manera.

Si alguna llama se extingue, no se extiende en forma adecuada o es demasiado grande, comuníquese con el Servicio técnico.

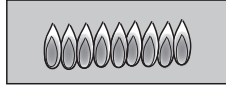
Llamas amarillas:

Se requiere un ajuste adicional.



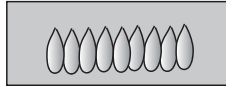
Puntas amarillas en conos externos:

Normal para gas LP.



Llamas azul claro:

Normal para gas natural.



Si la llama es completamente amarilla o en su mayor parte, verifique que el regulador esté programado para el combustible correcto.

Después de realizar el ajuste, vuelva a probarla.

Ver algunas vetas amarillas es normal durante el encendido inicial. Deje que la unidad opere durante 4-5 minutos y vuelva a evaluarla antes de realizar ajustes.

Figura 4: Verificación de las características de las llamas

Si alguna llama no se extiende en forma adecuada, ajuste la salida del regulador. Regrese a “Cómo convertir las válvulas de la placa para el uso con propano” en la página 5. Si alguna llama es de color amarillo, comuníquese con el Servicio técnico.

La instalación del electrodoméstico con dos combustibles está completa cuando se verifica que haya un color, una extensión y un tamaño correctos en cada hornilla de la placa.

Para los electrodomésticos a gas, continúe hasta “Cómo probar la hornilla para asar con calor directo”.

Cómo probar la hornilla para asar con calor directo

Cómo probar el encendido

Programa el modo de cocción a Hi Broil (Asar con calor directo; alto). La hornilla se encenderá después de 30-75 segundos.

Cómo probar la llama

Verifique que las características de la llama concuerden con lo mostrado en la Figura 4 “Verificación de las características de la llama”. Si las características de la llama no concuerdan con las del gráfico anterior, ajuste la llama según se describe a continuación. De lo contrario, continúe hasta “Cómo probar la hornilla para hornear”.

Cómo ajustar la llama para asar con calor directo (de ser necesario)

Ajuste el respiradero para alterar las características de la llama. El respiradero se ubica en el extremo trasero de la hornilla para asar con calor directo.

1. Afloje el tornillo y gire el respiradero. Cierre el respiradero si la llama está levantando la hornilla o saliéndose de esta, o si no se está extendiendo sobre esta; abra el respiradero si es demasiado amarilla. (Consulte la Figura 5). Ajuste el tornillo.

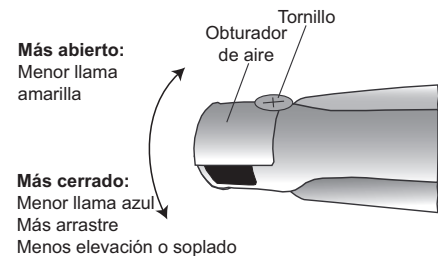


Figura 5: Ajuste del respiradero para asar con calor directo

Cómo probar la hornilla para hornear

Cómo probar el encendido

Programa el horno para hornear a 350 °F (176.67 °C). Después de 30-75 segundos, se encenderá la hornilla. La hornilla continuará encendida hasta alcanzar los 350 °F (176.67 °C) y luego se apagará. Desde este momento en adelante, la hornilla realizará un ciclo de encendido y apagado para mantener la temperatura.

Cómo probar la llama

Verifique que las características de la llama concuerden con lo mostrado en la Figura 4 “Verificación de las características de la llama”. Si las características de la llama no concuerdan con las del gráfico anterior, ajuste la llama según se describe a continuación.

Cómo ajustar la llama para hornear (de ser necesario)

Ajuste el respiradero para alterar las características de la llama. El respiradero de la hornilla del horno se encuentra a la izquierda del regulador del horno. Se llega a este a través del orificio de acceso en el panel trasero interior del cajón calentador.

1. Afloje el tornillo y gire el respiradero. Cierre el respiradero si la llama está levantando la hornilla o saliéndose de esta, o si no se está extendiendo sobre esta; abra el respiradero si es demasiado amarilla. (Consulte la Figura 6). Ajuste el tornillo.

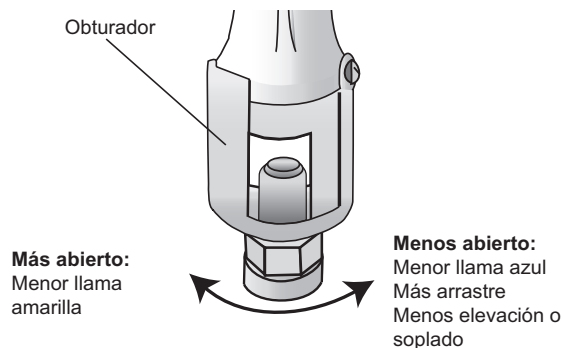


Figura 6: Ajuste del respiradero para hornear

Llame al Servicio técnico si se produce lo siguiente:

1. Alguna de las hornillas no se enciende.
2. La hornilla para asar con calor directo o la hornilla para hornear no permanecen encendidas.
3. La hornilla para hornear no sigue un ciclo de encendido y apagado.

Servicio técnico

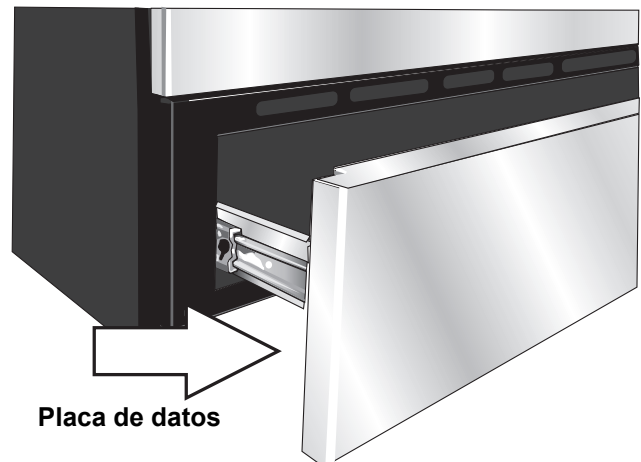
Antes de llamar al Servicio técnico

Consulte el Manual de uso y cuidado para obtener información sobre resolución de problemas. Consulte la Declaración de garantía limitada del producto en el Manual de uso y cuidado.

Para consultar a un representante de Servicio técnico, consulte la información de contacto que aparece en el frente del manual. Cuando llame, tenga a la mano la información impresa en la placa de datos de su producto.

Placa de datos del producto

La placa de datos muestra el modelo y el número de serie. Al solicitar servicio técnico, consulte la placa de datos del electrodoméstico. La placa de datos está ubicada en la parte trasera de la parte delantera del cajón. Abra el cajón para verla.





BOSCH

Invented for life