

# 36" Gas Cooktop

Benchmark® Series – Gray Tempered Glass NGMP677UC



**BOSCH**  
Invented for life



**NGMP677UC**  
Gray Tempered Glass

**The tempered glass gas cooktop with FlameSelect® – achieve consistent cooking results thanks to nine precisely defined power levels.**

## Features & Benefits

FlameSelect® – allows for a precise adjustment of the flame size with nine defined power levels

Dual flame power burner with two heat options, quickly boil water or maintain a precise simmer

Heavy-duty grates can be easily and quickly cleaned in the dishwasher

OptiSim® burner – simmer delicate sauces and melt chocolate without scorching

Tempered glass cooking surface offers a modern yet timeless appearance and wipes clean easily

General Properties	
No. of burners	5
Knob color	Stainless steel appearance
Control location	Front-center
Sealed burners	Yes
Gas valves	Five 9-level step valves
Ignition system	Electric; thermocouple safety control
Cooktop surface material	Tempered glass with porcelain steel heat shields
Grate material	Cast iron
Grate features	Continuous grates; dishwasher safe
Element Performance	
Total BTU load (NG / LP)	40,000 / 40,000
Power of front left burner (NG / LP) OptiSim®	3,400 / 3,400 BTU
Power of back left burner (NG / LP)	6,000 / 6,000 BTU
Power of center burner (NG / LP) Dual-flame	14,300 / 14,300 BTU
Power of back right burner (NG / LP)	10,300 / 10,300 BTU
Power of front right burner (NG / LP)	6,000 / 6,000 BTU

Technical Details	
Circuit breaker	15 A
Volts	120 V
Frequency	60 Hz
Plug type	3-prong
Power cord length	40"
Fuel type	Natural Gas (factory set)
Convertible to LP (kit required)	Yes

Dimensions & Weight	
Overall appliance dimensions (HxWxD)	2 9/16" x 36" x 20 1/2"
Required cutout size (HxWxD)	1 1/4" x 33 1/2" x 19 5/16"
Minimum distance from counter front	1 7/8"
Minimum distance from rear wall	3"
Net weight	53 lbs

Accessories – Included	
Included	LP conversion kit, OptiSim® cap

## Accessories – Optional



**HEZ298107**  
Wok ring



**Accessories:** To purchase Bosch accessories, cleaners & parts please visit [www.bosch-home.com/us/store](http://www.bosch-home.com/us/store) or call 1-800-944-2904 (Mon to Fri 5 am to 6 pm PST, Sat 6 am to 3 pm PST).

**Notes:** All height, width and depth dimensions are shown in inches. BSH reserves the absolute and unrestricted right to change product materials and specifications, at any time, without notice. Consult the product's installation instructions for final dimensional data and other details prior to making cutout.

**Warranties:** Please see Use & Care manual or Bosch website for statement of limited warranty.

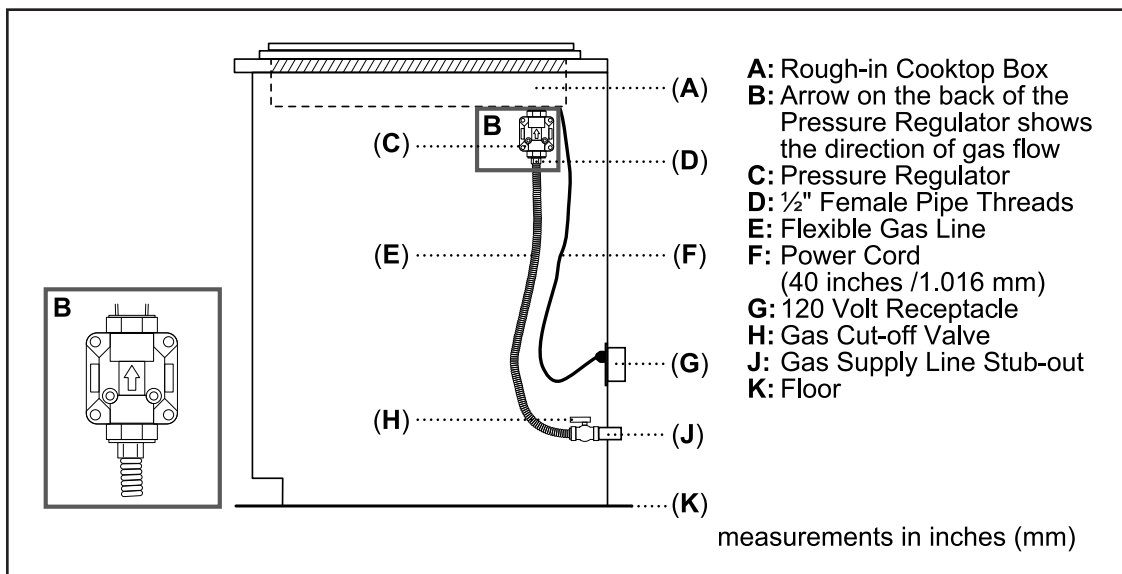
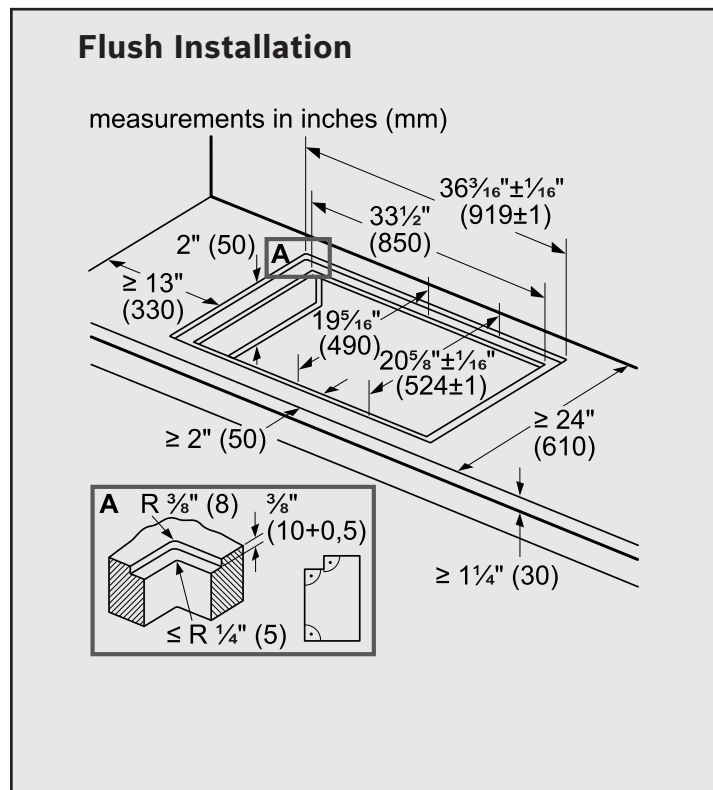
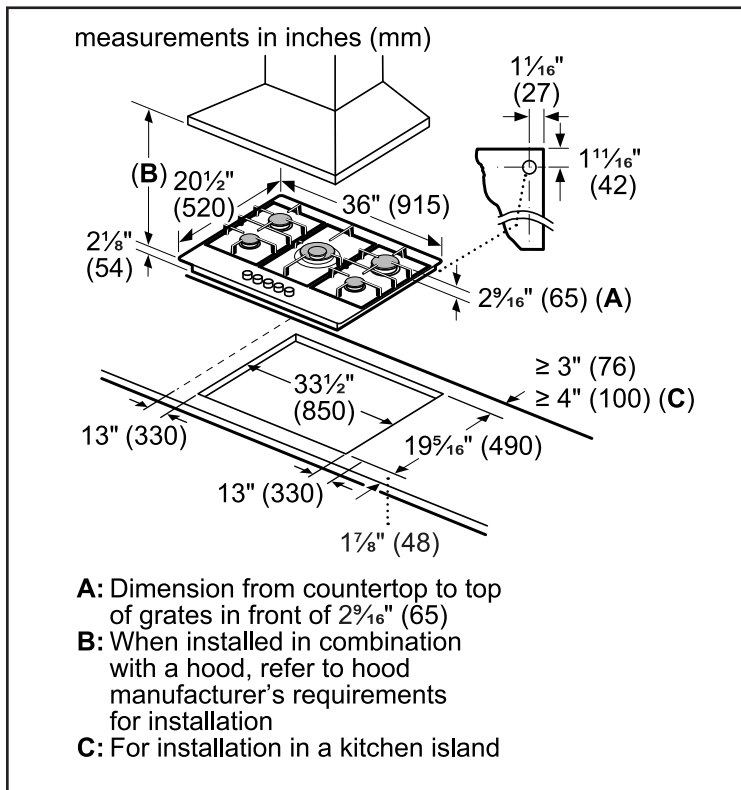
**For more information on our entire line of products, go to [www.bosch-home.com/us](http://www.bosch-home.com/us) or call 1-800-944-2904**

© BSH Home Appliances Corporation. All rights reserved. Bosch is a registered trademark of Robert Bosch GmbH.

# 36" Gas Cooktop

Benchmark® Series – Gray Tempered Glass NGMP677UC

## Installation Details



**Accessories:** To purchase Bosch accessories, cleaners & parts please visit [www.bosch-home.com/us/store](http://www.bosch-home.com/us/store) or call 1-800-944-2904 (Mon to Fri 5 am to 6 pm PST, Sat 6 am to 3 pm PST).

**Notes:** All height, width and depth dimensions are shown in inches. BSH reserves the absolute and unrestricted right to change product materials and specifications, at any time, without notice. Consult the product's installation instructions for final dimensional data and other details prior to making cutout.

**Warranties:** Please see Use & Care manual or Bosch website for statement of limited warranty.

**For more information on our entire line of products, go to [www.bosch-home.com/us](http://www.bosch-home.com/us) or call 1-800-944-2904**

© BSH Home Appliances Corporation. All rights reserved. Bosch is a registered trademark of Robert Bosch GmbH.

# 36" Gas Cooktop

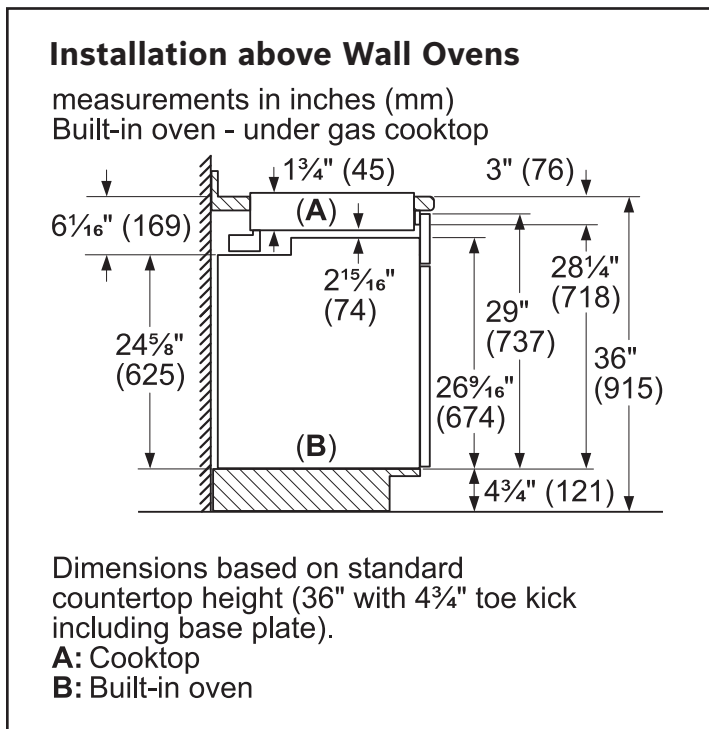
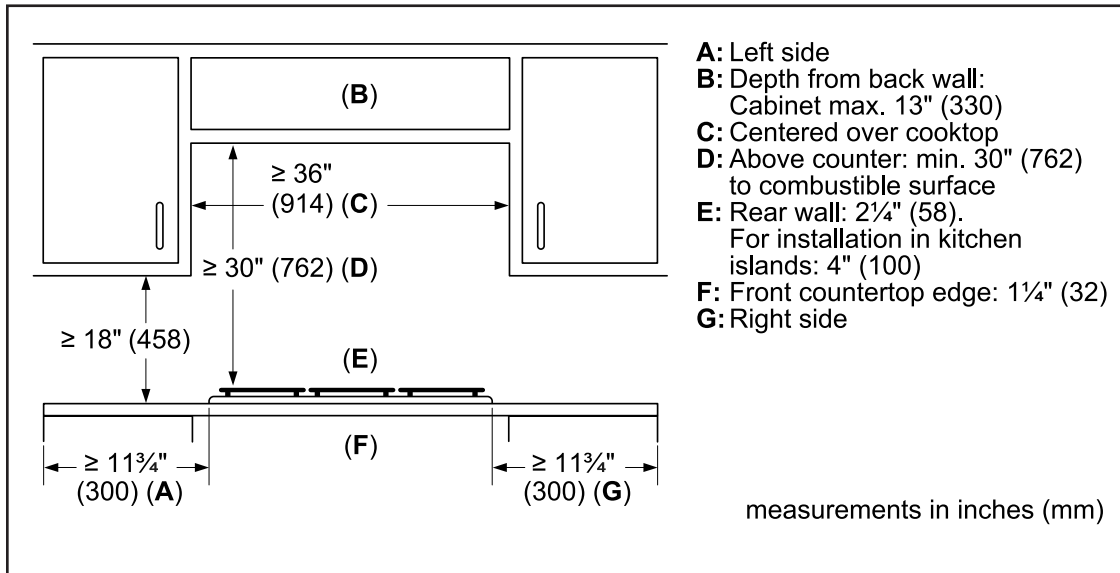
Benchmark® Series – Gray Tempered Glass NGMP677UC



**BOSCH**  
Invented for life



## Installation Details



**Accessories:** To purchase Bosch accessories, cleaners & parts please visit [www.bosch-home.com/us/store](http://www.bosch-home.com/us/store) or call 1-800-944-2904 (Mon to Fri 5 am to 6 pm PST, Sat 6 am to 3 pm PST).

**Notes:** All height, width and depth dimensions are shown in inches. BSH reserves the absolute and unrestricted right to change product materials and specifications, at any time, without notice. Consult the product's installation instructions for final dimensional data and other details prior to making cutout.

**Warranties:** Please see Use & Care manual or Bosch website for statement of limited warranty.

**For more information on our entire line of products, go to [www.bosch-home.com/us](http://www.bosch-home.com/us) or call 1-800-944-2904**

© BSH Home Appliances Corporation. All rights reserved. Bosch is a registered trademark of Robert Bosch GmbH.