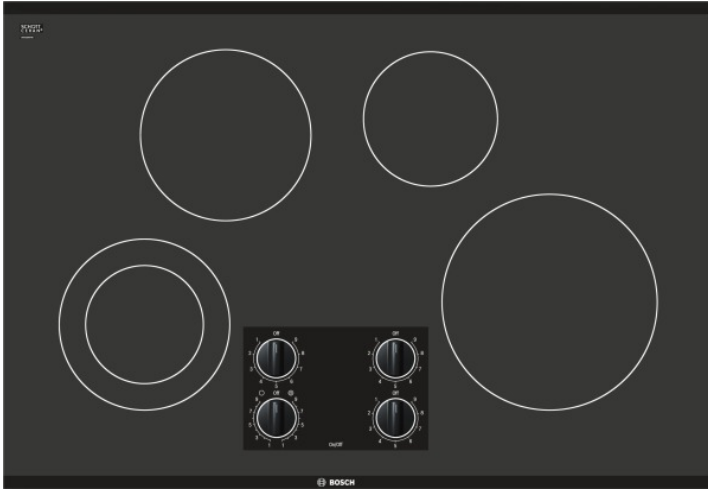


30" Black Electric Cooktop

300 Series - Black

NEM3064UC



Features and Benefits

Key Features

- High Quality Black Knobs with a Stainless Steel Bezel
- Infinite Temperature Controls for Precision Cooking

Design

- High Quality Black Knobs with a Stainless Steel Bezel

Performance

- Dual Element Offers the Capability to use Multiple Pan Sizes
- Infinite Temperature Controls for Precision Cooking
- Heat Indicator - Warns if Cooktop is Warm or Hot

Notes: All height, width and depth dimensions are shown in inches. *Please refer to installation instructions prior to making cutout. BSH reserves the absolute and unrestricted right to change product materials and specifications, at any time, without notice. Consult the product's installation instructions for final dimensional data and other details. Applicable product warranty can be found in a accompanying product literature or you may contact your account manager for further details.

For more information on our entire line of products, go to boschappliances.com or call 1-800-944-2904.
Copyright ©2013 BSH Home Appliances Corporation. All rights reserved. Bosch is a registered trademark of Robert Bosch GmbH.

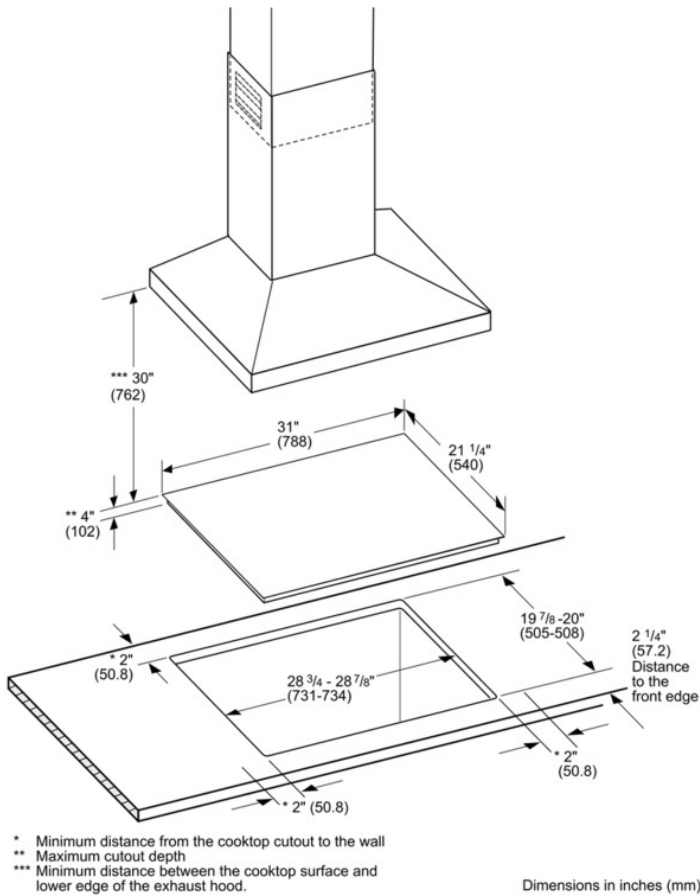
Litho Date: 04/2013



30" Black Electric Cooktop

300 Series - Black

NEM3064UC



Features

Knob Material	Plastic
Sealed Burners	No
Burners with booster	
Type of grate	
Total BTU load	
LP Gas Connection Rating (BTU)	
Power of 1st heating element (kW in boost)	
Dimension of 1st heating element (in)	5"; 7"
Power of 2nd heating element (kW in boost)	
Dimension of 2nd heating element (in)	7"
Power of 3rd heating element (kW in boost)	
Dimension of 3rd heating element (in)	6"
Power of 4th heating element (kW in boost)	
Dimension of 4th heating element (in)	9"
Power of 5th heating element (kW in boost)	
Dimension of 5th heating element (in)	
Power of 6th heating element (kW in boost)	
Dimension of 6th heating element (in)	

Technical Specification

UPC code	825225867364
Variant color	Black
Energy source	Electric
Gas type	
Alternative gas type	
Watts (W)	7200
Current (A)	30
Volts (V)	240/208
Frequency (Hz)	60
Approval certificates	CUL
Power cord length (in)	
Plug type	No plug
Required cutout size (HxWxD) (in)	4" x 28 7/8" x 20"
Minimum distance from counter front (in)	2 1/4"
Minimum distance from rear wall (in)	2"
Overall appliance dimensions (HxWxD) (in)	1/4"+4" x 31" x 21 1/4"
Product packaging dimensions (HxWxD) (in)	7 7/8" x 37" x 24"
Net weight (lbs)	25
Gross weight (lbs)	33
Total number of cooktop burners	4

Notes: All height, width and depth dimensions are shown in inches. *Please refer to installation instructions prior to making cutout. BSH reserves the absolute and unrestricted right to change product materials and specifications, at any time, without notice. Consult the product's installation instructions for final dimensional data and other details. Applicable product warranty can be found in a accompanying product literature or you may contact your account manager for further details.

For more information on our entire line of products, go to boschappliances.com or call 1-800-944-2904.
 Copyright ©2013 BSH Home Appliances Corporation. All rights reserved. Bosch is a registered trademark of Robert Bosch GmbH.

Litho Date: 04/2013

